

INSTALLATION INSTRUCTIONS

WALL MOUNTED PACKAGE HEAT PUMPS

18WH6

24WH6

INDEX

Important	1
Shipping Damage	1
General	1
Installation	1
Duct Work	1
Filter	2
Fresh Air Intake	2
Wall Mounting	2
Wiring--Main Power	2
Wiring--24V Control Circuit	3
Condensate Drain	3
Compressor Malfunction Relay (Single Phase Models Only)	3
Pressure Service Ports	3
Sequence of Operation	3
Compressor Cut-Off Thermostat and Outdoor Thermostats	4
Compressor Cut-Off and Outdoor Thermostat Wiring	4
Heat Anticipation	4
Thermostat Indicator Lamps	5
Emergency Heat Position	5
Defrost Cycle	5
Service Hints	6
Important Installer Note	6
Crankcase Heaters	6
Fan Blade Setting Dimensions	10
Refrigerant Charge	10
Compressor Cut-Off and Outdoor Thermostat Wiring	11

INDEX OF FIGURES AND TABLES

Figure 1	5
Figure 2	7
Figure 3	8
Figure 4	9
Figure 5	10

Table 1	4
Table 2	10
Table 3	11
Table 4	11
Table 5	12
Table 6	13
Table 7	13

IMPORTANT

The equipment covered in this manual is to be installed by trained, experienced service and installation technicians. Any heat pump is more critical of proper operating, charge and an adequate duct system than a straight air conditioning unit. All duct work supply and return, must be properly sized for design air flow requirement of the equipment. ACCA is an excellent guide to proper sizing. All duct work or portions thereof not in the conditioned space should be properly insulated in order to both conserve energy and prevent condensation or moisture damage.

SHIPPING DAMAGE

Upon receipt of equipment, the carton should be checked for external signs of shipping damage. If damage is found, the receiving party must contact the last carrier immediately, preferably in writing, requesting inspection by the carrier's agent.

GENERAL

The refrigerant system is completely assembled and charged. All internal wiring is complete.

The unit is designed for use with or without duct work. Flanges are provided for attaching the supply and return ducts.

These instructions explain the recommended method to install the air cooled self-contained unit and the electrical wiring connections to the unit.

These instructions and any instructions packaged with any separate equipment required to make up the entire air conditioning system should be carefully read before beginning the installation. Note particularly "Starting Procedure" and any tags and/or labels attached to the equipment.

While these instructions are intended as a general recommended guide, they do not supersede any national and/or local codes in any way. Authorities having jurisdiction should be consulted before the installation is made.

INSTALLATION

Size of unit for a proposed installation should be based on heat loss calculation made according to methods of Air Conditioning Contractors of America (ACCA). The air duct should be installed in accordance with the Standards of the National Fire Protection Association for the Installation of Air Conditioning and Ventilating systems of Other Than Residence Type, NFPA No. 90A, and Residence Type Warm Air Heating and Air Conditioning Systems, NFPA No. 90B. Where local regulations are at a variance with instructions, installer should adhere to local codes.

DUCT WORK

Design the duct work according to methods given by the Air Conditioning Contractors of America. When duct runs through unheated spaces, it should be insulated with a minimum of one inch of insulation. Use insulation with a vapor barrier on the outside of the insulation. Flexible joints should be used to connect the duct work to the equipment in order to keep the noise transmission to a minimum.

A one-inch clearance to combustible material for the first three feet of duct attached to the outlet air frame is required. See Figure 4, Page 9 for further details.

FILTER

A one-inch throwaway filter is supplied with each unit. The filter slides into position making it easy to service. This filter can be serviced from the outside by removing the service door.

FRESH AIR INTAKE

All units are built with a fresh air inlet hole punched in the service panel. The fresh air damper assembly is shipped with each unit, and must be attached at the installation site. See Figure 3, Page 8 for typical installation procedure.

The fresh air damper assembly is standard equipment with the unit because of the variety of state or local codes requiring fresh air capability.

All capacity, efficiency and cost of operation information as required for Department of Energy "Energyguide" Fact Sheets is based upon the fresh air blank-off plate in place and is recommended for maximum energy efficiency.

The blank-off plate is available upon request from the factory and is installed in place of the fresh air damper shipped with each unit.

WALL MOUNTING

1. Two holes, for the supply and return air openings must be cut through the wall as shown in Figure 4, Page 9.
2. On wood-frame walls, the wall construction must be strong and rigid enough to carry the weight of the unit without transmitting any unit vibration. **WARNING:** Fire hazard can result if one inch clearance to combustible materials for supply air duct is not maintained. See Figure 4.
3. Concrete block walls must be thoroughly inspected to insure that they are capable of carrying the weight of the installing unit.
4. Ducts through the walls must be insulated and all joints taped or sealed to prevent air or moisture entering the wall cavity.
5. Some installations may not require any return air duct. It is recommended that on this type of installation that a filter grille be located in the wall. Filters must be of sufficient size to allow a maximum velocity of 400 FPM.

NOTE: If no return air duct is used, applicable installation codes may limit this cabinet to installation only in a single story structure.

WIRING--MAIN POWER

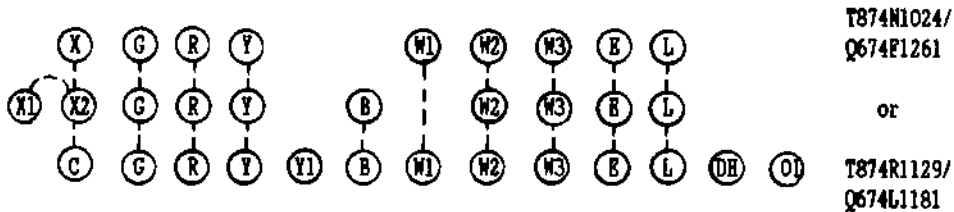
Refer to the unit rating plate for wire sizing information and maximum fuse or "EACR Type" circuit breaker size. Each outdoor unit is marked with a "Minimum Circuit Ampacity." This means that the field wiring used must be sized to carry that amount of current. Depending on the installed KW of electric heat, there may be two field power circuits required. If this is the case, the unit serial plate will so indicate. Some models are suitable only for connection with copper wire, while others can be wired with either copper or aluminum wire. Each unit and/or wiring diagram will be marked "Use Copper Conductors Only" or "Use Copper or Aluminum Conductors." These instructions **MUST BE** adhered to. Refer to the National Electrical Code for complete current carrying capacity data on the various insulation grades of wiring material.

The electrical data lists fuse and wire sizes (60 degree F copper) for all models, including the most commonly

The unit rating plate lists a "Maximum Time Delay Fuse" or "HACR Type" circuit breaker that is to be used with the equipment. The correct size must be used for proper circuit protection and also to assure that there will be no nuisance tripping due to the momentary high starting current of the compressor motor.

WIRING--24V CONTROL CIRCUIT

Nine (9) wires should be run from thermostat subbase to the 24V terminal board in the unit. A nine conductor, 18 gauge copper, color-coded thermostat cable is recommended. The connection points are shown on most of the wiring diagrams and are also shown below.



IMPORTANT NOTE: Only the thermostat and subbase combinations as shown above will work with this equipment. The thermostat and subbase **MUST** be matched, and correct operation can be assured only by proper selection and application of these parts.

CONDENSATE DRAIN

A plastic drain hose extends from the drain pan at the top of the unit down to the unit base. There are openings in the unit base for the drain hose to pass through. In the event the drain hose is connected to a drain system of some type, it must be an open or vented type system to assure proper drainage.

COMPRESSOR MALFUNCTION RELAY (Single Phase Models Only)

Actuation of the green "check" lamp is accomplished by a voltage type relay which is factory installed. Any condition such as loss of charge, defective capacitor, defective contactor, etc., that will prevent compressor from operating will cause green lamp to activate. This is a signal to the operator of the equipment to place system in emergency heat position.

PRESSURE SERVICE PORTS

High and low pressure service ports are installed on all units so that the system operating pressures can be observed. Pressure curves can be found later in the manual covering all models on both cooling and heating cycles. It is imperative to match the correct pressure curve to the unit by model number.

SEQUENCE OF OPERATION

COOLING--Circuit R-Y makes at thermostat pulling in compressor contactor, starting the compressor and outdoor motor. The G (indoor motor) circuit is automatically completed on any call for cooling operating, or can be energized by manual fan switch on subbase for constant air circulation.

HEATING--A 24V solenoid coil on reversing valve controls heating cycle operation. Two thermostat options, one allowing "Auto" changeover from cycle to cycle and the other constantly energizing solenoid coil during heating season and thus eliminating pressure equalization noise except during defrost, are to be used. On "Auto" option, a circuit is completed from R-W1 and R-Y on each heating "on" cycle, energizing reversing valve solenoid and pulling in compressor contactor starting compressor and outdoor motor. R-G also make starting

indoor blower motor. Heat pump heating cycle now in operation. The second option has no "Auto" changeover position, but instead energizes the reversing valve solenoid constantly whenever the system switch on subbase is placed in "Heat" position, the "B" terminal being constantly energized from R. A thermostat demand for heat completes R-Y circuit, pulling in compressor contactor starting compressor and outdoor motor. R-G make starting indoor blower motor.

COMPRESSOR CUT-OFF THERMOSTAT AND OUTDOOR THERMOSTATS

Heat pump compressor operation at outdoor temperatures below 0 degree F are neither desirable nor advantageous in terms of efficiency. Since most equipment at time of manufacture is not designated for any specific destination of the country, and most of the equipment is installed in areas not approaching lower outdoor temperature range, the compressor cut-off is not factory installed.

Outdoor thermostats are available to hold off various banks of electric heat until needed as determined by outdoor temperature. The set point of either type of thermostat is variable with geographic region and sizing of the heating equipment to the structure. Utilization of the Heating Application Data and the heat loss calculation of the building are useful in determining the correct set points.

COMPRESSOR CUT-OFF AND OUTDOOR THERMOSTAT WIRING

See specific wiring information on Page 11.

HEAT ANTICIPATION

Both of the thermostats shown below have a fixed heat anticipator for stage 1 with no adjustment required. Stage 2 has an adjustable anticipator for the W2 connection and fixed for the W3 connection. Both the W2 and W3 circuits are controlled by the stage 2 bulb. The only heat anticipator that needs to be checked is stage 2 and it should be set to match the load carried by the W2 circuit. The normal factory wiring provides for only one electric heat contactor to be controlled by W2, and the anticipator should be set at .40A. If special field wiring is done, it is best to actually measure the load but a good rule is .40A for each heat contactor controlled by W2.

TABLE 1

Wall Thermostat And Subbase Combinations			
Group	Thermostat	Subbase	Predominant Feature
A	8403-017 (T874R1129)	8404-009 (O674L1181)	Heat or Cool ① No Auto
B	8403-018 (T874N1024)	8404-010 (O674F1261)	Automatic Heat-Cool ② Changeover Position

- ① No automatic changeover position--must manually place in heat or cool. Reversing valve remains energized at all times system switch is in heat position (except during defrost cycle). No pressure equalization noise when thermostat is satisfied on either heating or cooling.
- ② Allows thermostat to control both heating and cooling operation when set in "Auto" position. Reversing valve de-energizes at end of each "On" heating cycle.

IMPORTANT NOTE: Both thermostat and subbase combinations shown above incorporate the following features: Man-Auto fan switch, Off-Heat-Cool-Em. Heat Switch, and two (2) indicator lamps--one for emergency heat and one for compressor malfunction.

THERMOSTAT INDICATOR LAMPS

The red lamp marked "EM. HT." comes on and stays on whenever the system switch is placed in the emergency heat position. The green lamp marked "check" will come on if there is any problem that prevents the compressor from running when it is supposed to be.

EMERGENCY HEAT POSITION

The operator of the equipment must manually place the system switch in this position. This is done when there is a known problem with the indoor section, or when the green "check" lamp comes on indicating a problem.

DEFROST CYCLE

The defrost cycle is controlled by time and temperature. The 24 volt timer motor runs all the time the compressor is in operation. When the outdoor temperature is in the lower 40 degree F temperature range or colder, the outdoor coil temperature is 32 degree F or below. This temperature is sensed by the defrost thermostat mounted near the bottom of the outdoor coil on a return bend. The defrost thermostat closes at approximately 32 degree F. Every 60 (or 30) minutes that the compressor is running, contacts 3-5 close for 7 minutes, with contacts 3-4 closed for the first 40 seconds of that 7 minutes. If the defrost thermostat is closed, the defrost relay energizes and places the system in defrost mode. An interlocking circuit is created with timer contacts 3-5 and defrost relay contacts 7-9 in series.

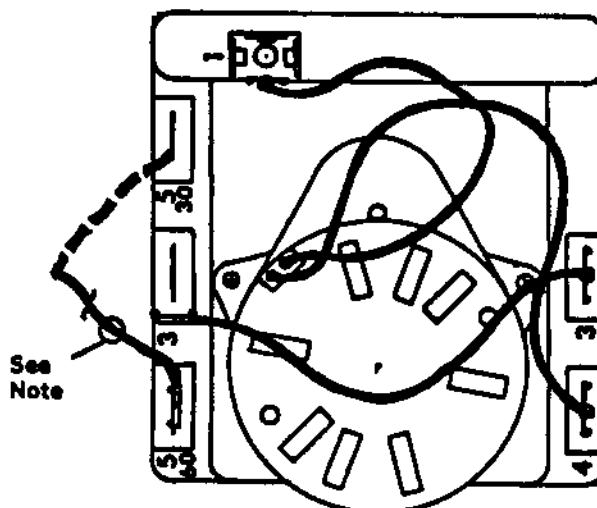
During the defrost mode, the refrigerant cycle switches back to cooling cycle, the outdoor motor stops, electric heaters are energized, and hot gas passing through the outdoor coil melts any accumulated frost. When the temperature rises to approximately 57 degree F, the defrost thermostat opens, de-energizing the defrost relay and returning the system to heating operation.

If some abnormal or temporary condition such as a high wind causes the heat pump to have a prolonged defrost cycle, contacts 3-5 of the defrost timer will open after 7 minutes and restore the system to heating operations automatically.

There are two time settings on the defrost timer--30 minutes and 60 minutes. Most models are shipped wired on the 60 minute setting for greatest operating economy. If special circumstances require a change to the shorter time, remove wire connected to terminal 5/60 and reconnect to terminal 5/30.

There is a manual advance knob located on the timer. This can be used to advance timer to contact closure point if it is desired to check out defrost cycle, without waiting for time to elapse.

FIGURE 1
DEFROST TIMER WIRING



NOTE: All models are connected to 5/60 terminal (60 minute). Any model can be changed from 60 minutes to 30 minutes by unplugging from 5/60 terminal and reconnecting to 5/30 terminal as shown by dotted line.

SERVICE HINTS

1. Caution homeowner to maintain clean air filters at all times. Also, not to needlessly close off supply and return air registers. This reduces air flow through the system, which shortens equipment service life as well as increasing operating costs.
2. Switching to heating cycle at 75 degree F or higher outside temperature may cause nuisance trip of the manual reset high pressure switch.
3. The heat pump wall thermostats perform multiple functions. Be sure that all function switches are correctly set for the desired operating mode before trying to diagnose any reported service problems.
4. Check all power fuses or circuit breakers to be sure that they are the correct rating.
5. Periodic cleaning of the outdoor coil to permit full and unrestricted airflow circulation is essential.

IMPORTANT INSTALLER NOTE

For improved start-up performance, wash the indoor coil with a dishwasher detergent.

CRANKCASE HEATERS

All units are provided with some form of compressor crankcase heat. Some single phase units utilize the compressor motor start winding in series with a portion of the run capacitor to generate heat within the compressor shell to prevent liquid refrigerant migration.

Some three phase units utilize a wraparound type of crankcase heater that warms the compressor oil from the outside.

Some single and three phase models have an insertion well-type heater located in the lower section of the compressor housing. This is a self-regulating type heater that draws only enough power to maintain the compressor at a safe temperature.

Some form of crankcase heat is essential to prevent liquid refrigerant from migrating to the compressor, causing oil pump out on compressor start-up and possible valve failure due to compressing a liquid.

Refer to unit wiring diagram to find exact type of crankcase heater used.

The following decal is affixed to all outdoor units detailing start-up procedure. This is very important. Please read carefully.

FIGURE 2

IMPORTANT

THESE PROCEDURES MUST BE FOLLOWED AT INITIAL START-UP AND AT ANY TIME POWER HAS BEEN REMOVED FOR 12 HOURS OR LONGER.

TO PREVENT COMPRESSOR DAMAGE WHICH MAY RESULT FROM THE PRESENCE OF LIQUID REFRIGERANT IN THE COMPRESSOR CRANKCASE

- 1. MAKE CERTAIN THE ROOM THERMOSTAT IS IN THE "OFF" POSITION (THE COMPRESSOR IS NOT TO OPERATE).**
- 2. APPLY POWER BY CLOSING THE SYSTEM DISCONNECT SWITCH. THIS ENERGIZES THE COMPRESSOR HEATER WHICH EVAPORATES THE LIQUID REFRIGERANT IN THE CRANKCASE.**
- 3. ALLOW 4 HOURS OR 60 MINUTES PER POUND OF REFRIGERANT IN THE SYSTEM AS NOTED ON THE UNIT RATING PLATE, WHICHEVER IS GREATER.**
- 4. AFTER PROPERLY ELAPSED TIME THE THERMOSTAT MAY BE SET TO OPERATE THE COMPRESSOR.**
- 5. EXCEPT AS REQUIRED FOR SAFETY WHILE SERVICING — DO NOT OPEN SYSTEM DISCONNECT SWITCH.**

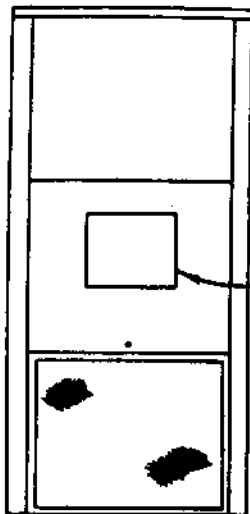
7961-061

NOTE: If this unit is operated in cooling below a 65 degree outdoor ambient temperature, the installation of low ambient control module is required. Use control module CGH-6 for heat pump models.

FIGURE 3

UNIT MODELS

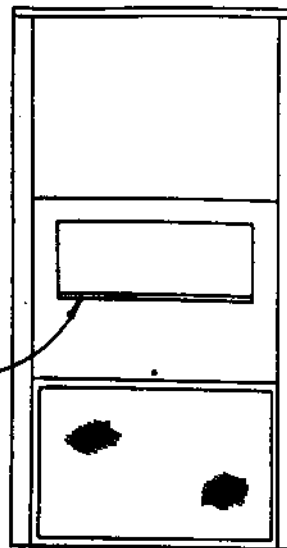
20WA
24WA
18WH
24WH



Model FAD10
Fresh Air Cover
With Adjustable
Damper

UNIT MODELS

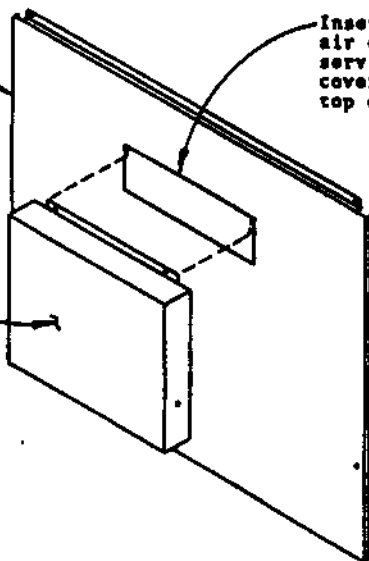
30WA
34WA
30WH
42WA
48WA
60WA
48WH
60WH



MODEL FAD25
Fresh Air Cover
With Adjustable
Damper

Service
Door

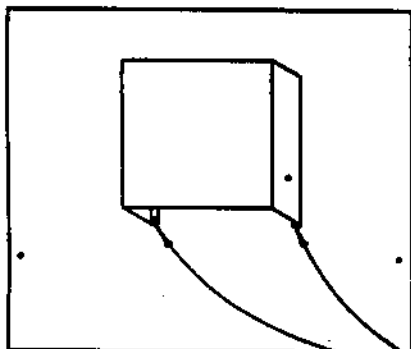
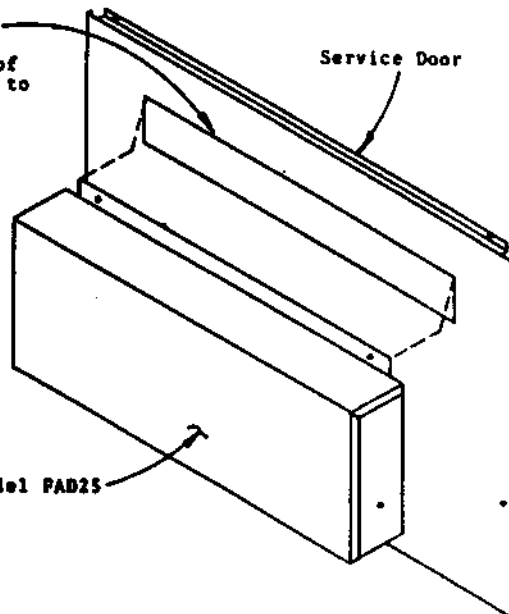
Model FAD10



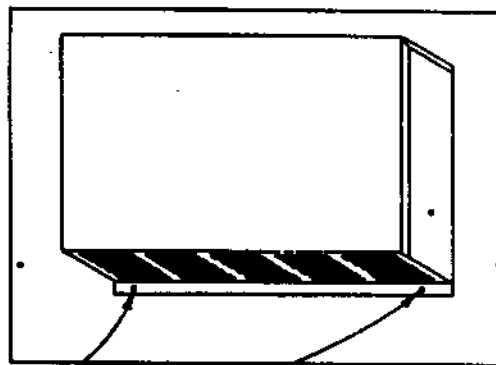
Insert top flange of fresh
air cover into opening in
service door and push top of
cover assembly all the way to
top of opening.

Service Door

Model FAD25



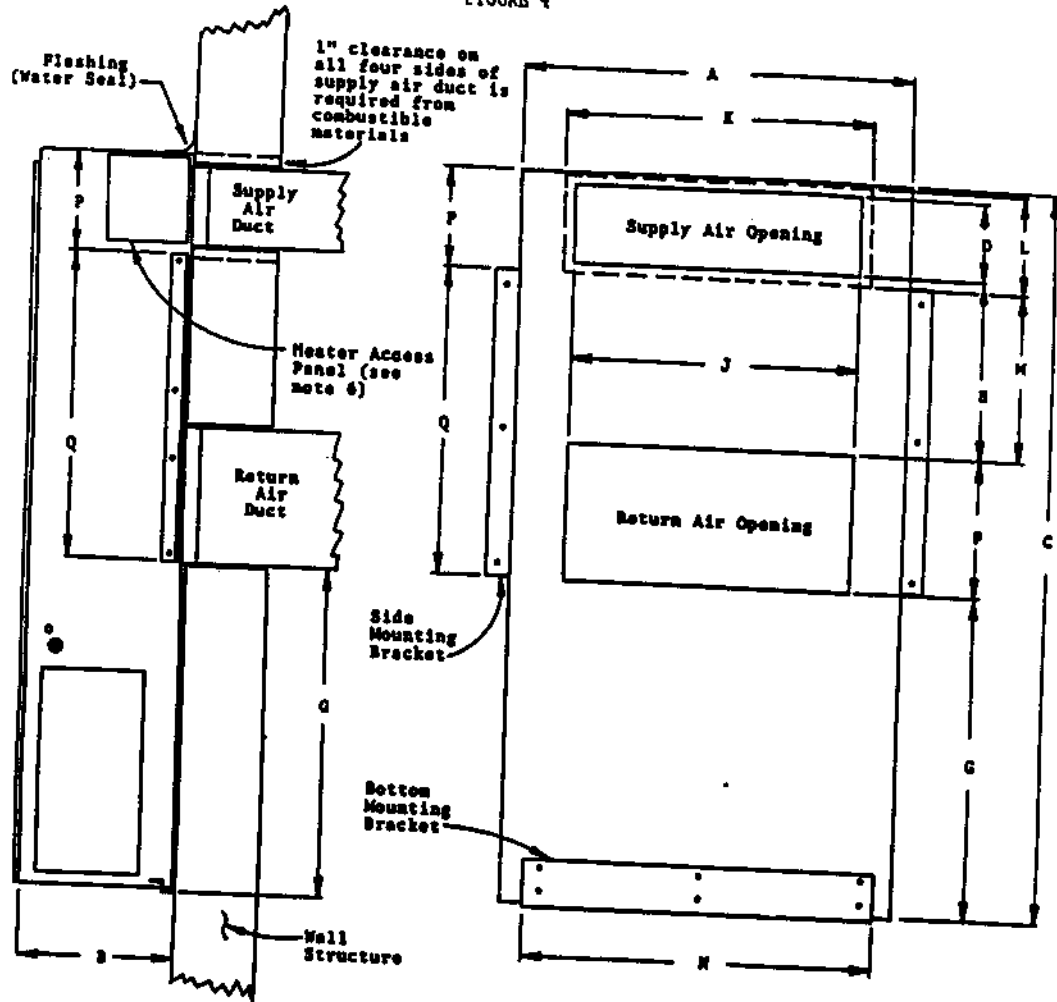
Secure bottom of
Fresh Air Cover Assembly
with two screws.



RIGHT SIDE VIEW

FIGURE 4

WALL VIEW



Model	A	B	C	D	E	F	G	J	K	L	M	N	P	Q
20NA, 24NA 18WE, 24WE	32-1/4	13-1/2	69-3/8	8	20-1/2	12	27-1/2	20	22	10	19-1/2	24	10	31
30NA, 36NA 30WE, 36WE	38-1/4	15-1/4	74	8	18	14	32-5/8	28	30	10	17	34	10	31
42NA, 49NA, 60NA 48WE, 60WE	42	22	84	10	30	16	26-5/8	30	32	12	29	34	10	42

MOUNTING INSTRUCTIONS

1. These units are secured by wall mounting brackets which secure the unit to the outside wall surface at both sides and at the bottom.
2. The unit itself is suitable for "0" inch clearance, but the supply air duct flange and the first three feet of supply air duct require 1 inch clearance to combustible material. If combustible wall, use 30" x 10" dimensions for sizing, if non-combustible, use 28" x 8" dimensions.
3. After the wall opening positions have selected, lay out the position for the bottom and side brackets. Fasten the brackets securely to the wall (type of fasteners will depend on wall construction).
4. Be sure to observe the 10" dimension when attaching the side brackets. This will assure that no screws are driven into the unit sides damaging any internal parts. One-half inch sheet metal screws are recommended.
5. For additional mounting rigidity, the return air and supply air (depending upon wall construction) frames or collars can be drilled and screwed or welded to the structural wall itself. Be sure to observe required clearance if combustible wall.
6. Maintain 30 inches minimum clearance right side of unit to allow access to heat strip and control panel.

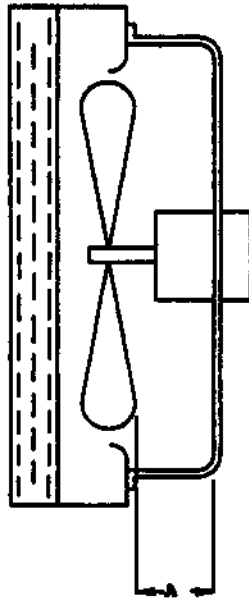
WARNING: Failure to provide the one inch clearance for the first three feet between the supply duct and a combustible surface can result in fire.

FAN BLADE SETTING DIMENSIONS

Shown in the drawing below are the correct fan blade setting dimensions for proper air delivery across the outdoor coil.

Any service work requiring removal or adjustment in the fan and/or motor area will require that the dimensions below be checked and blade adjusted in or out on the motor shaft accordingly.

FIGURE 5



Model	Dim. A
18WB6	1/2
24WB6	1/2

REFRIGERANT CHARGE

The correct system R-22 charge is shown on the unit rating plate. Optimum unit performance will occur with a refrigerant charge resulting in a suction line temperature (6" from compressor) as shown in the following table:

TABLE 2

Model	Rated Airflow	95 degree F OD Temp.	82 degree F OD Temp.
18WB6	650	62 - 64	70 - 72
24WB6	825	56 - 58	65 - 67

The above suction line temperatures are based upon 80 degree F dry bulb/67 degree F wet bulb (50% R.H.) temperature and rated airflow across evaporator during cooling cycle.

TABLE 3

RATED CFM E.S.P. (WET COIL--COOLING)			
Model	Rated CFM	Rated E.S.P.	Recommended Airflow Range
18WH6	650	.35	585-725
24WH6	825	.15	740-910

COMPRESSOR CUT-OFF AND OUTDOOR THERMOSTAT WIRING

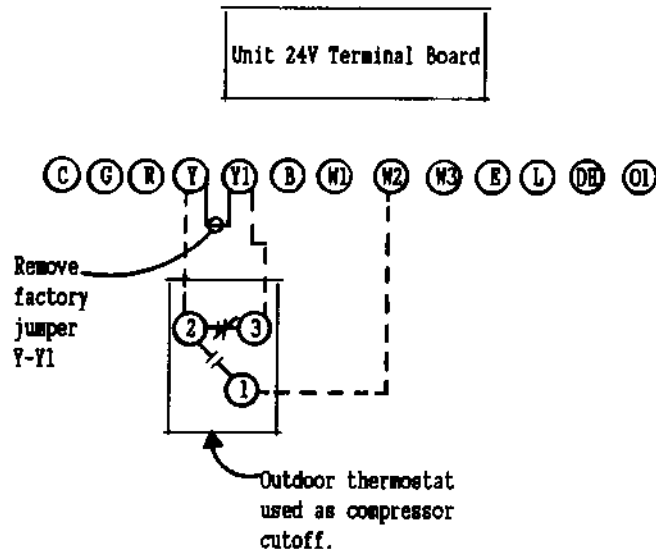


TABLE 4

Indoor Blower Performance CFM--Dry Coil With Filter	
E.S.P. Inches H ₂ O	Model 18WH6-24WH6
.0	1000
.1	935
.2	870
.3	800
.4	715
.5	630

TABLE 5

ELECTRICAL INFORMATION								WIRING INFORMATION**		
Model	Rated Volts/Ph	Operating Voltage Range	Heater KW*	Max Unit Amps	No. Field Power Circuits	Internal Fuses Ckt. A/B	Required ^① Overcurrent Protection	Min. Ckt. Ampacity Ckt. A/B	Field Power Wiring Ckt. A/B	Ground Wire Size Ckt. A/B
18WH6	230/208-1	197-253	0	11.5	1		20	15	14	12
			4	27.2	1		35	35	8	10
			8	43.8	1		60	56	4	10
24WH6	230/208-1	197-253	0	14	1		30	19	12	10
			4	29.2	1		45	39	8	10
			7.9	45.5	1		60	60	4	10

*Electric heaters are nominal KW @ 240V or 480V. ^① Time delay fuses or "HACR Type" circuit breakers must be used for 60 and smaller sizes. Standard fuses or circuit breakers are suitable for sizes 70 or larger.

**Based on 60 degree C copper wire. Other wiring materials must be rated for marked "Minimum Circuit Ampacity" or greater. Not all models approved for aluminum wire.

TABLE 6

COOLING		AIR TEMPERATURE ENTERING OUTDOOR COIL DEGREE F												
MODEL	RETURN AIR TEMPERATURE	PRESSURE	75°	80°	85°	90°	95°	100°	105°	110°	115°			
18MH6	75° DB	LOW SIDE	69	71	73	75	78	79	80	82	84			
	62° WB	HIGH SIDE	195	216	239	261	287	310	329	355	374			
	80° DB	LOW SIDE	74	76	78	80	83	84	86	88	90			
	67° WB	HIGH SIDE	200	222	245	268	294	318	337	364	384			
24MH6	85° WB	LOW SIDE	80	82	84	86	88	90	92	95	97			
	72° DB	HIGH SIDE	207	230	254	277	304	329	349	377	397			
	75° DB	LOW SIDE	68	70	72	74	76	78	79	80	81			
	62° WB	HIGH SIDE	224	236	254	273	290	305	322	335	351			
	80° DB	LOW SIDE	73	75	77	79	81	83	85	86	87			
	67° WB	HIGH SIDE	230	242	261	280	297	313	330	344	360			
	85° DB	LOW SIDE	78	81	83	85	87	89	91	92	94			
	72° WB	HIGH SIDE	238	250	270	290	307	324	342	356	373			

TABLE 7

HEATING		AIR TEMPERATURE ENTERING OUTDOOR COIL DEGREE F															
MODEL	RETURN AIR TEMPERATURE	PRESSURE	0°	5°	10°	15°	17°	20°	25°	30°	35°	40°	45°	47°	50°	55°	60°
18MH6	70°	LOW SIDE	27	30	33	37	38	40	44	47	50	54	58	59	61	64	68
		HIGH SIDE	150	160	169	178	182	185	195	202	212	220	230	234	240	247	257
24MH6	70°	LOW SIDE	18	22	25	29	31	33	37	42	45	49	53	54	57	61	65
		HIGH SIDE	137	149	159	169	172	179	190	200	210	223	234	239	247	257	267

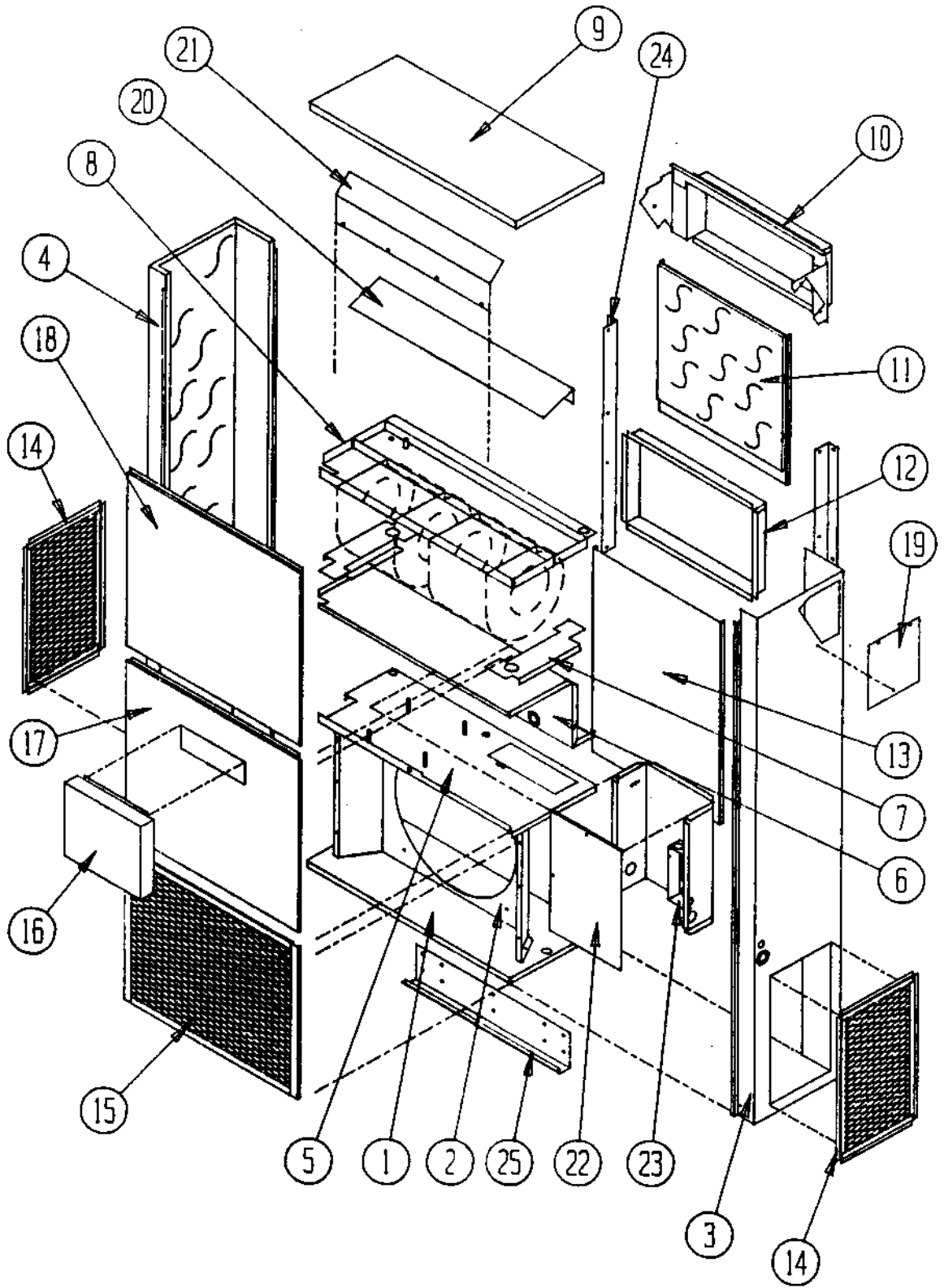
LOW SIDE PRESSURE ±2 PSIG
 HIGH SIDE PRESSURE ±5 PSIG

TABLES ARE BASED UPON RATED CFM (AIRFLOW) ACROSS THE EVAPORATOR COIL. IF THERE IS ANY DOUBT AS TO CORRECT OPERATING CHARGE BEING IN THE SYSTEM, THE CHARGE SHOULD BE REMOVED, SYSTEM EVACUATED, AND RECHARGED TO SERIAL PLATE INSTRUCTIONS.

CABINET COMPONENTS
 18WH6, 24WH6, 20WA2 and 24WA6
 WALL MOUNT AIR CONDITIONERS AND HEAT PUMPS

Page:
 Date: 12/20/88

Item No.	Part No.	Description	U S A G E
1	126-001	Lower Base	X
2	124-001	Fan Shroud	X
3	501-162	Right Side Assembly	X
4	501-163	Left Side Assembly	X
5	127-103	Compressor Base	X
6	520-096	Compressor Partition	X
7	130-001	Filter Support	X
8	121-089	Water Pan Assembly	X
9	506-094	Top	X
10	111-015	Supply Air Frame	X
11	508-054	Upper Back	X
12	111-016	Inlet Air Frame	X
13	108-055	Lower Back	X
14	119-002	Side Condenser Grille	X
15	119-001	Front Condenser Grille	X
16	FAD10	Fresh Air Damper	X
17	552-106	Service Door	X
18	514-045	Upper Front	X
19	542-001	Side Cover Plate	X
20	136-112	Evaporator Bottom Support Fill	X
21	134-004	Air Baffle	X
22	Control Panel Cvr	See Control Panel Assembly Drawing and Parts List	X
23	Control	See Control Panel Assembly Drawing and Parts List	X
24	Panel Asy 112-002	Side Mounting Bracket	X
25	112-001	Bottom Support Bracket	X

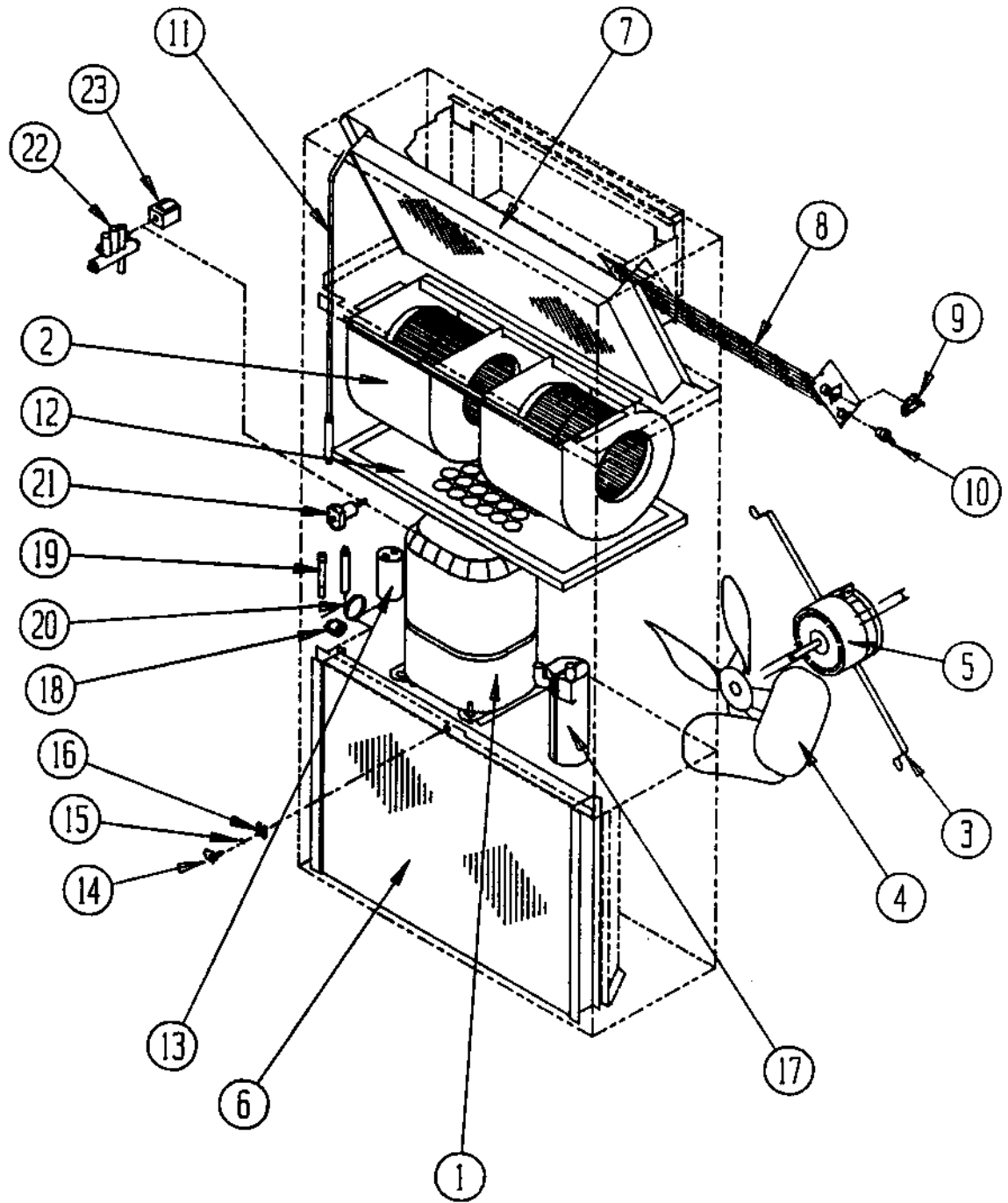


18-24 WA & WH

FUNCTIONAL COMPONENTS
18WH6, 24WH6 WALL MOUNT HEAT PUMPS

Date: 05/18/89

Dwg. No.	Part No.	Description	1	1	1	1	1	1	2	2	2	2	2	2
			8	8	8	8	8	8	4	4	4	4	4	4
			W	W	W	W	W	W	W	W	W	W	W	W
			H	H	H	H	H	H	H	H	H	H	H	H
			6	6	6	6	6	6	6	6	6	6	6	6
			-	-	-	-	-	-	-	-	-	-	-	-
			A	A	A	A	A	A	A	A	A	A	A	A
			O	O	O	O	O	O	O	O	O	O	O	O
			0	4	8	0	4	8	0	4	8	0	4	8
			N	N	N	C	C	C	N	N	N	C	C	C
1	8000-100	Compressor AM5517E	X	X	X	X	X	X						
1	8000-101	Compressor R23B223ABCA							X	X	X	X	X	X
2	900-038	Blower Assembly (Complete)	X	X	X	X	X	X	X	X	X	X	X	X
3	8200-023	Motor Mount--Fan	X	X	X	X	X	X	X	X	X	X	X	X
4	5151-033	Fan Blade F10B8.7	X	X	X	X	X	X	X	X	X	X	X	X
5	8103-016	Motor--Fan 1/5 hp	X	X	X	X	X	X	X	X	X	X	X	X
6	5051-041	Condenser Coil	X	X	X	X	X	X	X	X	X	X	X	X
7	5060-048	Evaporator Coil	X	X	X	X	X	X	X	X	X	X	X	X
8	8604-088	Heat Strip 4KW		1			1			1			1	
8	8604-090	Heat Strip 8KW			1			1			1			1
9	8402-048	Limit Switch 160 Degree		X	X		X	X		X	X		X	X
10	8402-030	Thermal Cutoff		1	2		1	2		1	2		1	2
11	800-0087	Cooling Capillary Tube Assembly (36x.059)	X	X	X	X	X	X						
11	800-0089	Cooling Capillary Tube Assembly (28x.059)							X	X	X	X	X	X
12	7004-006	Filter 14x25	X	X	X	X	X	X	X	X	X	X	X	X
13	8552-027	Capacitor 25/370V	X	X	X	X	X	X						
13	8552-045	Capacitor 30/370V							X	X	X	X	X	X
14	1171-019	1/4 Turn Fastener	X	X	X	X	X	X	X	X	X	X	X	X
15	1171-021	Retainer Clip	X	X	X	X	X	X	X	X	X	X	X	X
16	1171-020	Fastener Receptacle	X	X	X	X	X	X	X	X	X	X	X	X
17	5202-013	Accumulator	X	X	X	X	X	X	X	X	X	X	X	X
18	8408-018	Defrost Thermostat	X	X	X	X	X	X	X	X	X	X	X	X
19	5651-036	Check Valve	X	X	X	X	X	X	X	X	X	X	X	X
20	800-0119	Heating Capillary Tube Assy. (32-1/2x.080)							X	X	X	X	X	X
20	800-0117	Heating Capillary Tube Assy. (25 x .070)	X	X	X	X	X	X						
21	8406-011	High Pressure Switch	X	X	X	X	X	X	X	X	X	X	X	X
22	5650-009	Reversing Valve	X	X	X	X	X	X	X	X	X	X	X	X
23	5650-008	Reversing Valve Solenoid Coil	X	X	X	X	X	X	X	X	X	X	X	X
24	905-0091	Complete Liquid Line Assembly	X	X	X	X	X	X						
24	905-0092	Complete Liquid Line Assembly							X	X	X	X	X	X

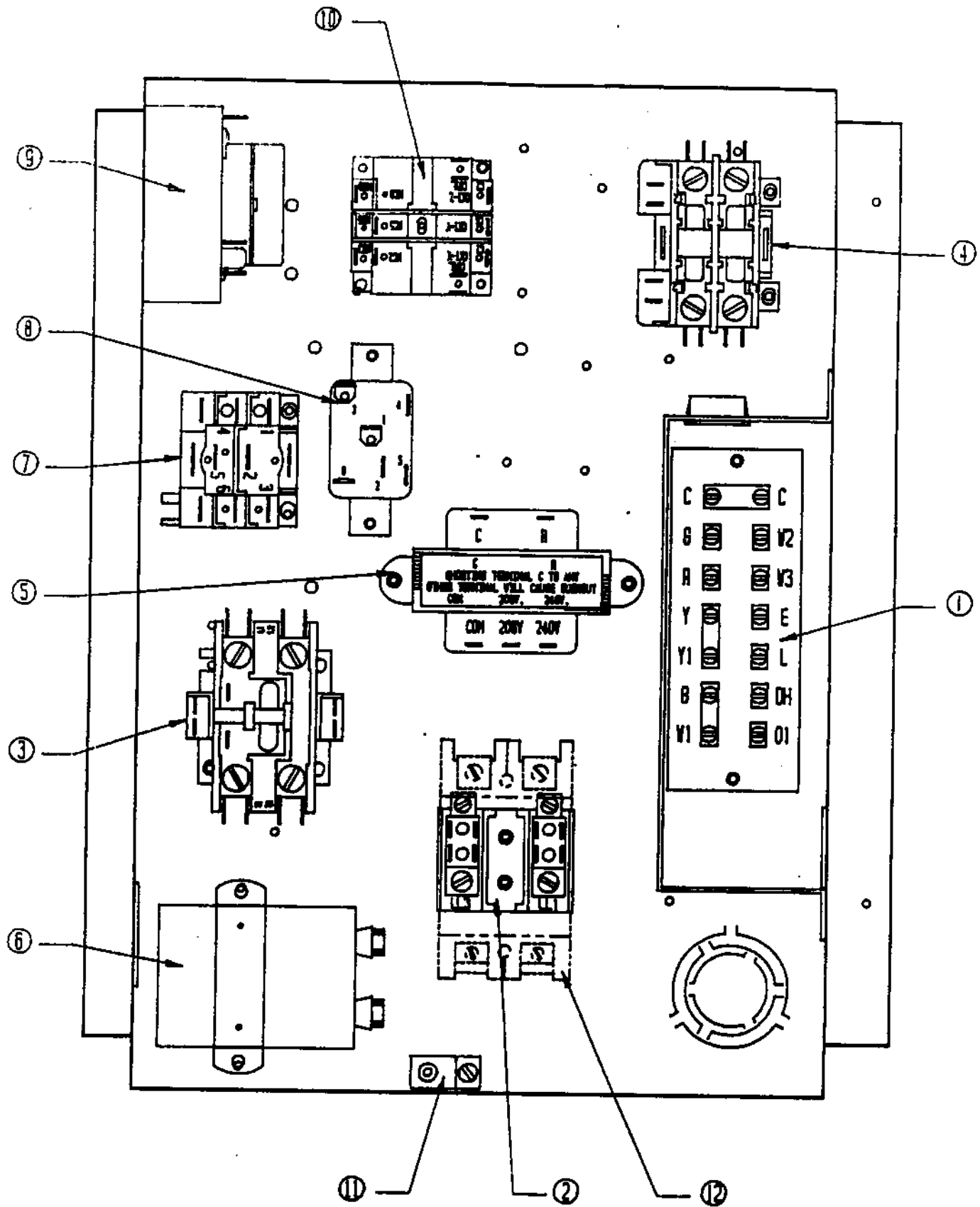


18-24 WH

CONTROL PANEL
18WH6, 24WH6 WALL MOUNT HEAT PUMPS

Date: 05/18/89

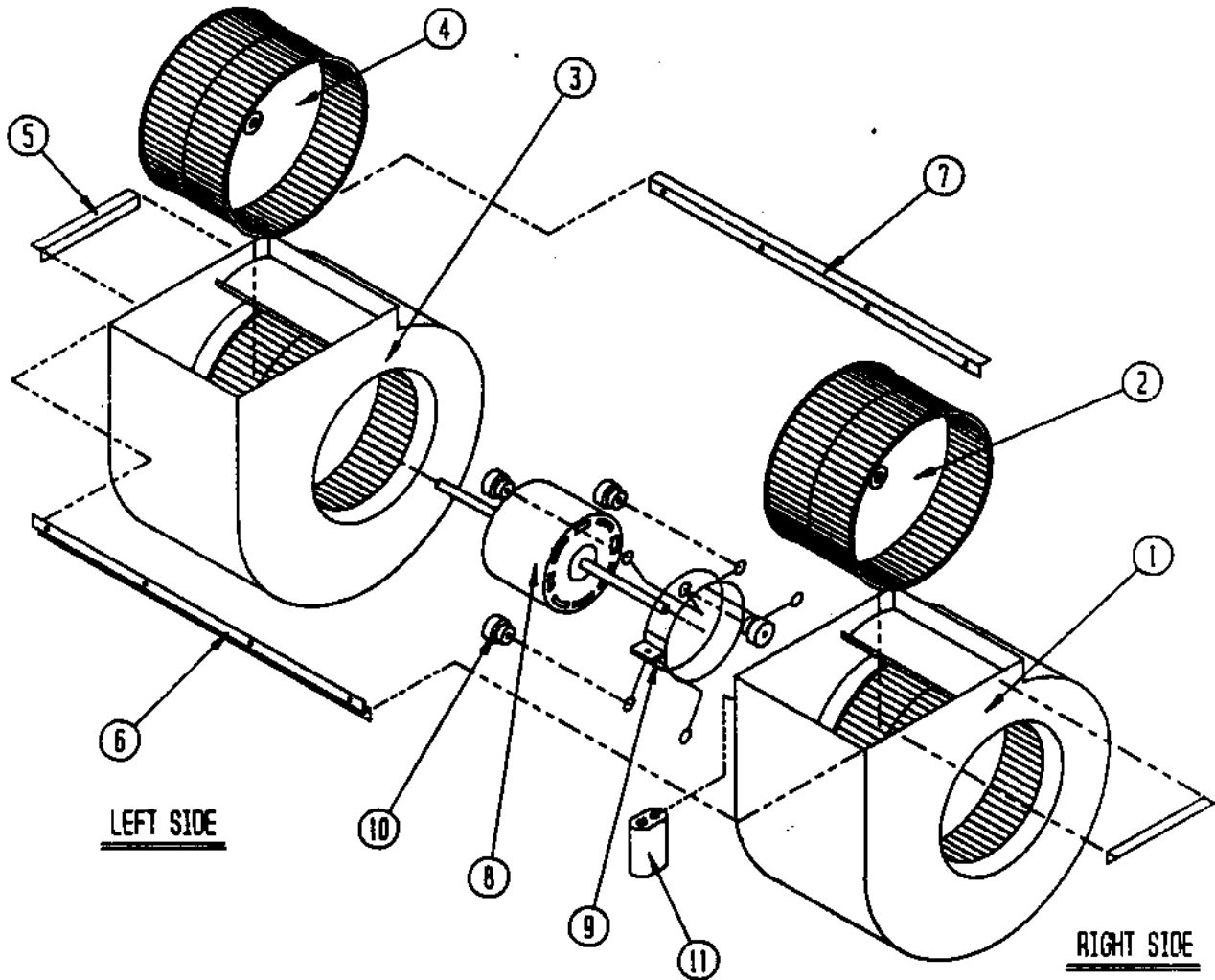
Dwg. No.	Part No.	Description	1	1	1	1	1	1	2	2	2	2	2	2
			8	8	8	8	8	8	4	4	4	4	4	4
			W	W	W	W	W	W	W	W	W	W	W	W
			H	H	H	H	H	H	H	H	H	H	H	H
			6	6	6	6	6	6	6	6	6	6	6	6
			A	A	A	A	A	A	A	A	A	A	A	A
			O	O	O	O	O	O	O	O	O	O	O	O
			4	8	8	0	4	8	0	4	8	0	4	8
			N	M	N	C	C	C	N	N	N	C	C	C
	4011-110	Wiring Diagram	X						X					
	4011-120	Wiring Diagram		X						X				
	4011-130	Wiring Diagram			X						X			
	4011-111	Wiring Diagram				X						X		
	4011-121	Wiring Diagram					X						X	
	4011-131	Wiring Diagram						X						X
1	8607-014	Low Voltage Terminal Block	X	X	X	X	X	X	X	X	X	X	X	X
2	8607-013	Terminal Block 230V		X	X				X	X				
3	8401-007	Contactor--Compressor 25A	1	1	1	1	1	1	1	1	1	1	1	1
4	8401-006	Contactor--Heater 2P18		1	1		1	1	1	1	1	1	1	1
5	8407-035	Transformer	X	X	X	X	X	X	X	X	X	X	X	X
6	8552-002	Capacitor 5/370V	X	X	X	X	X	X	X	X	X	X	X	X
7	8201-024	Relay--Compressor Fault	X	X	X	X	X	X	X	X	X	X	X	X
8	8201-009	Relay--Blower	X	X	X	X	X	X	X	X	X	X	X	X
9	8612-012	Timer	X	X	X	X	X	X	X	X	X	X	X	X
10	8201-047	Relay--Defrost	X	X	X	X	X	X	X	X	X	X	X	X
11	8611-006	Ground Lug	X	X	X	X	X	X	X	X	X	X	X	X
12	8615-009	Circuit Breaker					X							
12	8615-010	Circuit Breaker											X	
12	8615-013	Circuit Breaker									X			
12	8615-016	Circuit Breaker				X		X						X
12	8615-022	Circuit Breaker				X								
	132-001	Control Panel Cover	X	X	X			X	X	X				
	132-068	Control Panel Cover				X	X	X			X	X	X	X



BLOWER ASSEMBLY
WALL MOUNT AIR CONDITIONERS AND HEAT PUMPS

Date: 12/20/88

Dwg. No.	Part No.	Description	900-038
1	5152-051	Blower Housing And Wheel Assembly	X
2	5152-028	Blower Wheel	X
3	5152-052	Blower Housing And Wheel Assembly	X
4	5152-029	Blower Wheel	X
5	104-001	Angle	X
6	102-300	Offset	X
7	104-505	Angle Back Brace	X
8	8102-009	Blower Motor	X
9	8200-031	Blower Motor Mount	X
10	5451-011	Grommet	X
11	8652-004	Capacitor 7.5/370V	X



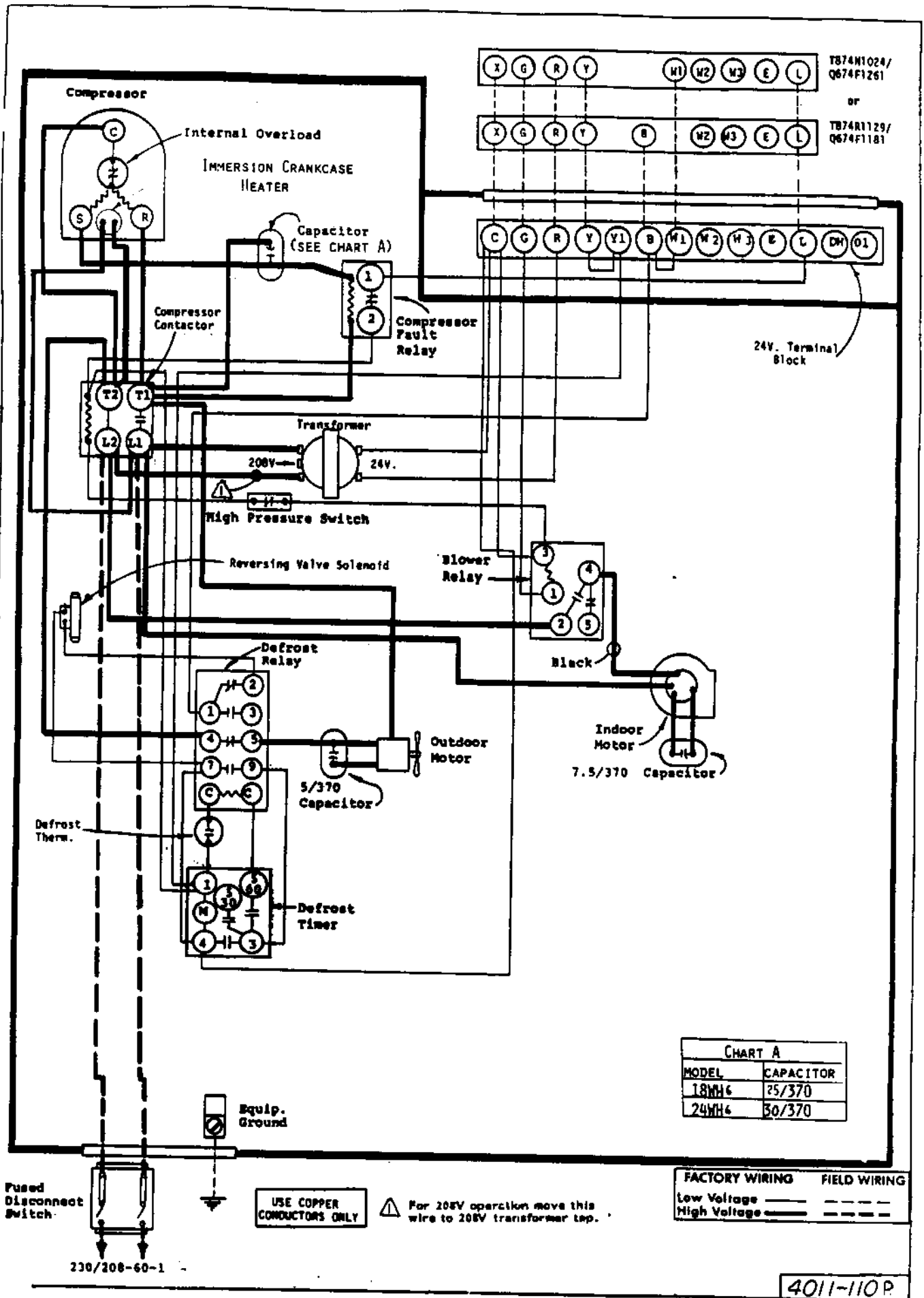


CHART A

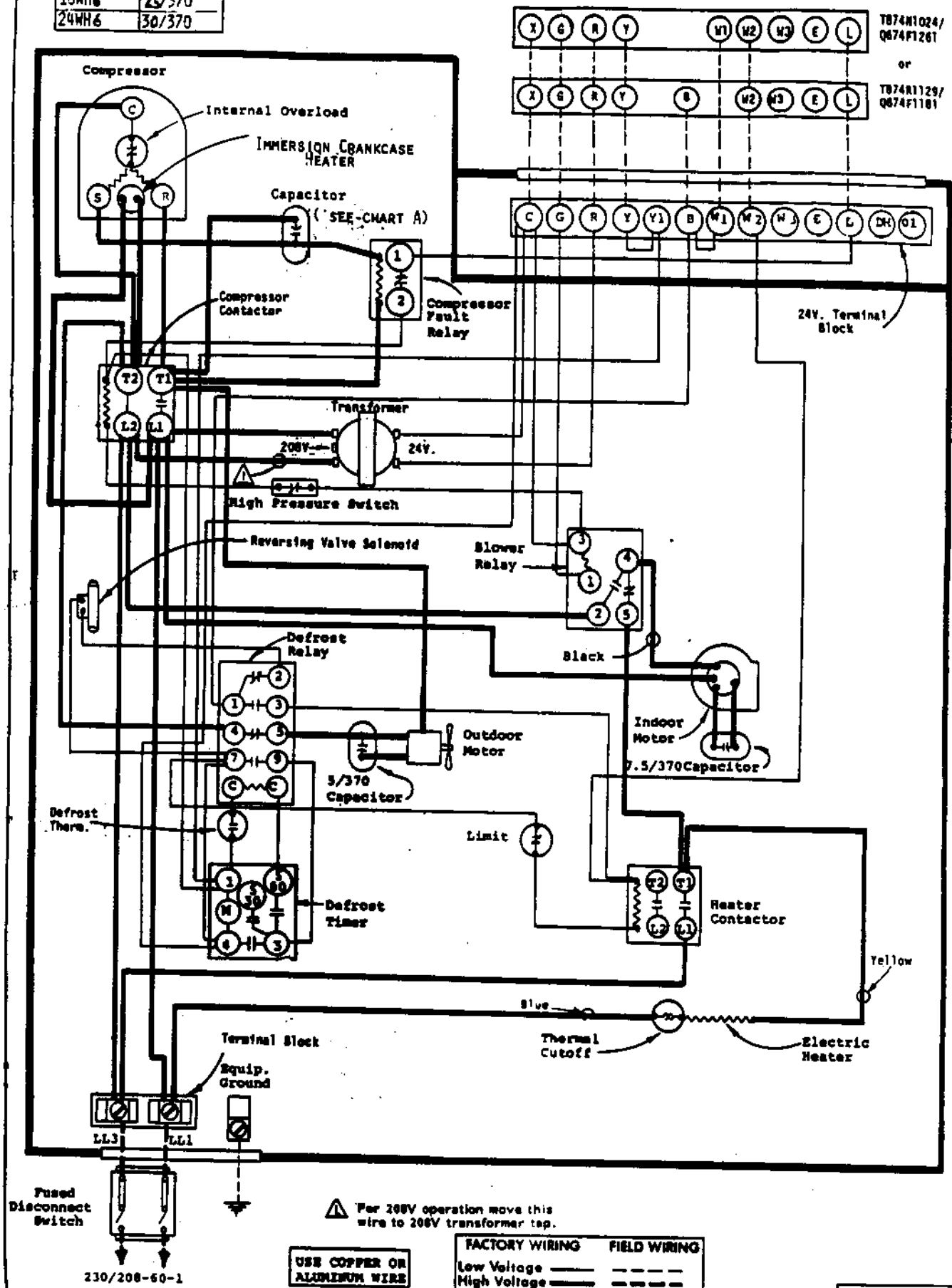
MODEL	CAPACITOR
18WH6	25/370
24WH6	30/370

FACTORY WIRING	FIELD WIRING
Low Voltage	-----
High Voltage	-----

USE COPPER CONDUCTORS ONLY

⚠ For 208V operation move this wire to 208V transformer tap.

CHART A	
MODEL	CAPACITOR
19WH6	25/370
24WH6	30/370

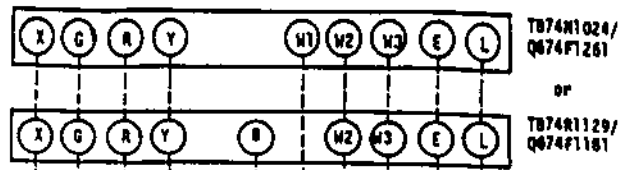
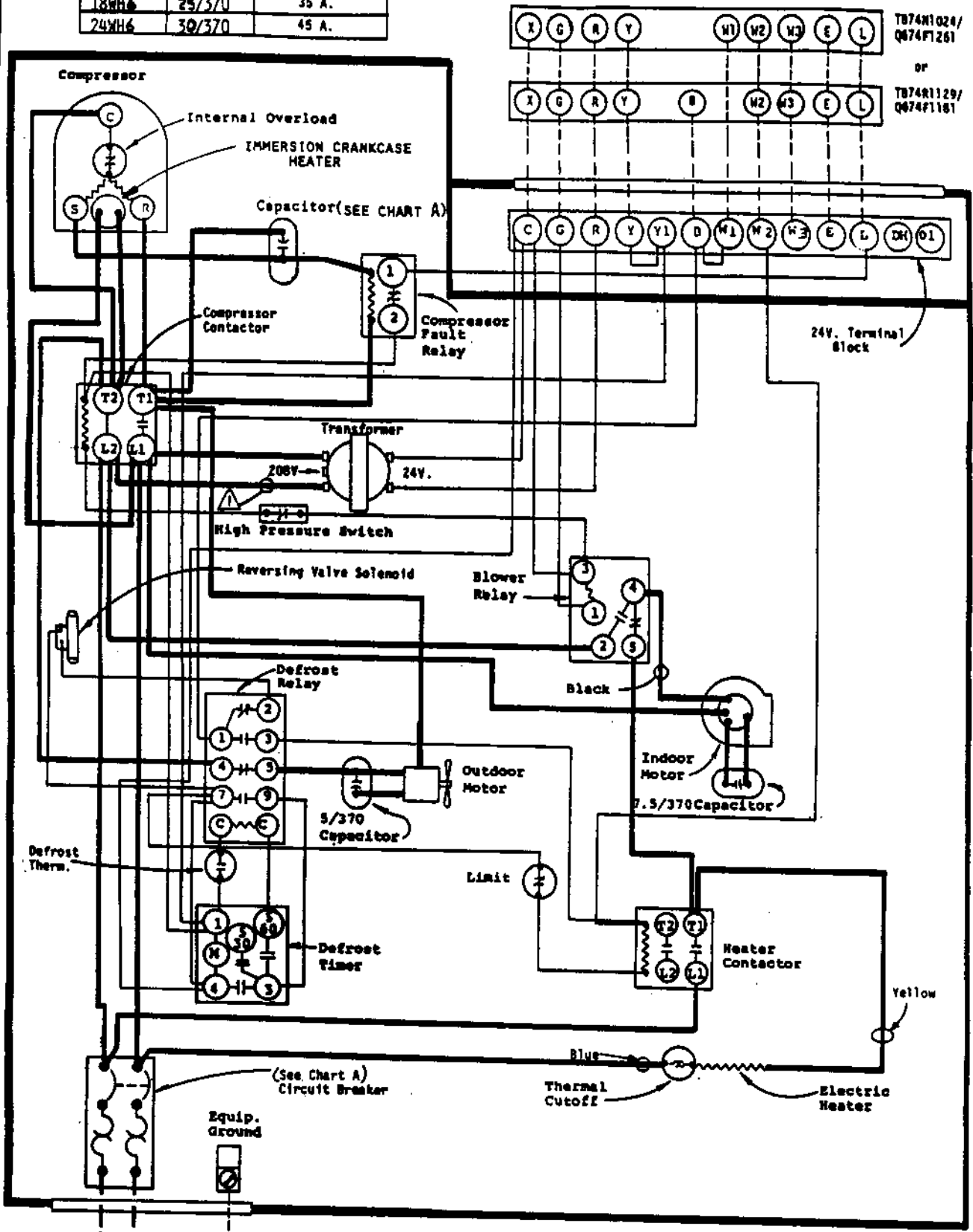


⚠ Per 208V operation move this wire to 208V transformer tap.

USE COPPER OR ALUMINUM WIRE

	FACTORY WIRING	FIELD WIRING
Low Voltage	————	-----
High Voltage	————	-----

CHART A		
MODEL	CAPACITOR	Circuit Breaker
18WH6	25/370	35 A.
24WH6	30/370	45 A.



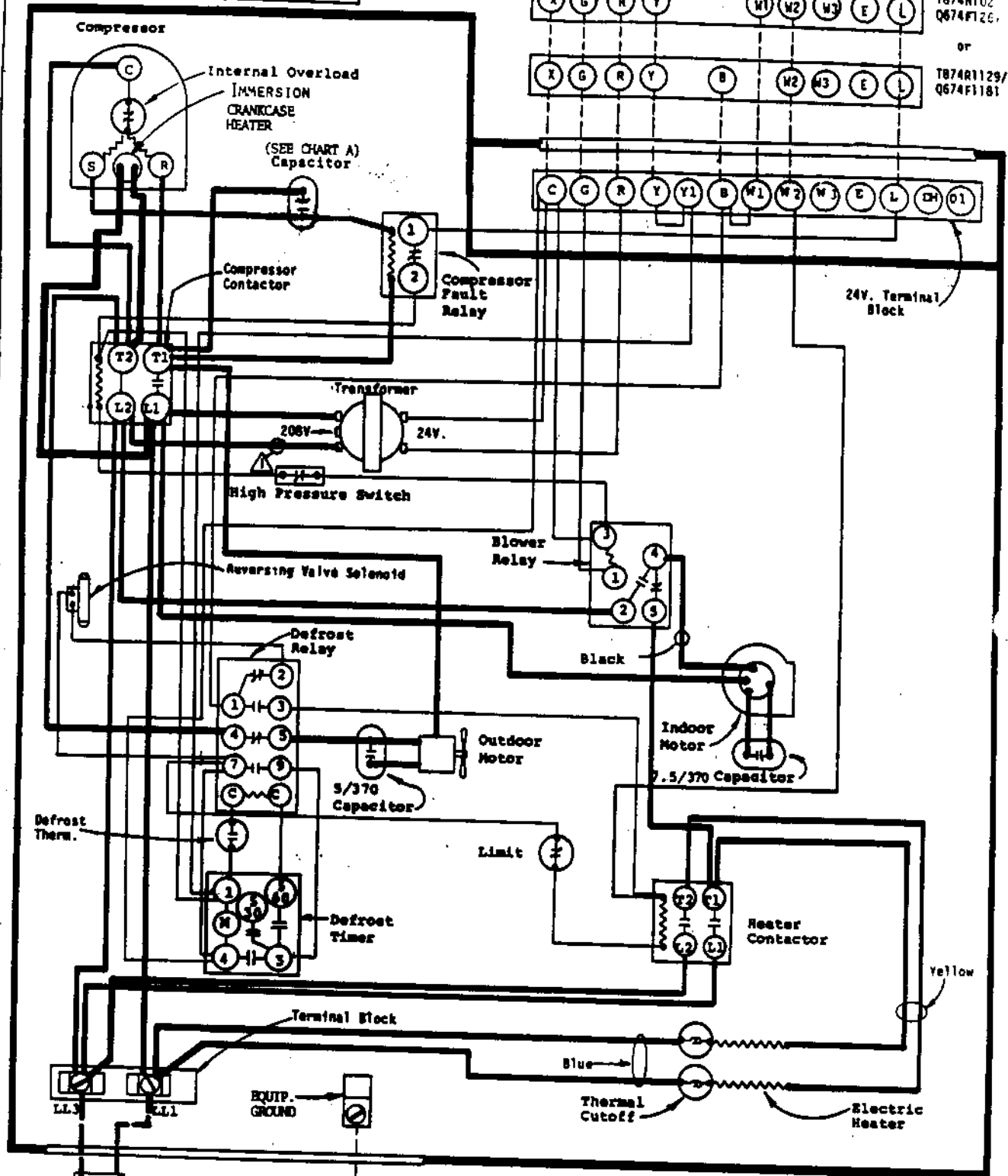
⚠ For 208V operation move this wire to 208V transformer tap.

USE COPPER OR ALUMINUM WIRE	FACTORY WIRING	FIELD WIRING
	Low Voltage	-----
	High Voltage	-----

230/208-60-1

4011-121D

CHART A	MODEL	CAPACITOR
	18NH16	25/370
	24NH16	36/370



X	G	R	Y	W1	W2	W3	E	L	T874N102 Q674F126			
X	G	R	Y	B	W2	W3	E	L	OR T874R1129/ Q674F1181			
C	G	R	Y	Y1	B	W1	W2	W3	E	L	CH	01

FACTORY WIRING	FIELD WIRING
Low Voltage	-----
High Voltage	-----

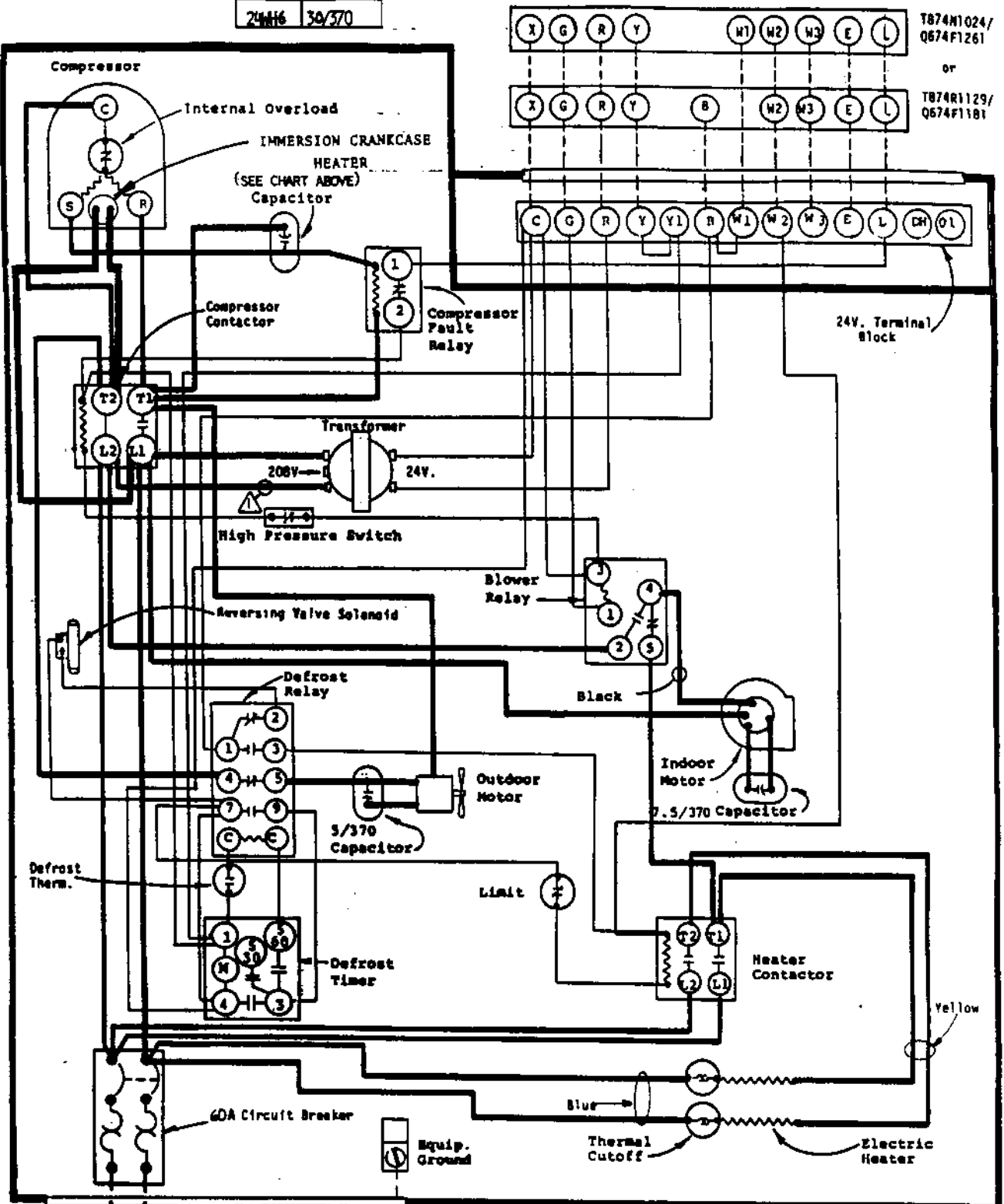
⚠ For 208V operation move this wire to 208V transformer tap.

USE COPPER OR ALUMINUM WIRE

230V 60Hz 1- ϕ

4011-130T

MODEL	CAPACITOR
184H6	25/370
244H6	30/370



X	G	R	Y	W1	W2	W3	E	L
T874N1024/Q674F1261				or				
X	G	R	Y	B	W2	W3	E	L
				T874R1129/Q674F1181				

FACTORY WIRING	FIELD WIRING
Low Voltage	-----
High Voltage	-----

⚠ For 208V operation move this wire to 208V transformer tap.

Use copper or aluminum wire

230V 60Hz 1-Ph

4011-131F

