

**INSTALLATION INSTRUCTIONS**

**WALL MOUNTED  
PACKAGE HEAT PUMPS**

**MODELS**

**18WH6**

**24WH6**

## IMPORTANT

The equipment covered in this manual is to be installed by trained, experienced service and installation technicians. Any heat pump is more critical of proper operating, charge and an adequate duct system than a straight air conditioning unit. All duct work supply and return, must be properly sized for the design air flow requirement of the equipment. ACCA is an excellent guide to proper sizing. All duct work or portions thereof not in the conditioned space should be properly insulated in order to both conserve energy and prevent condensation or moisture damage.

## SHIPPING DAMAGE

Upon receipt of equipment, the carton should be checked for external signs of shipping damage. If damage is found, the receiving party must contact the last carrier immediately, preferably in writing, requesting inspection by the carrier's agent.

## GENERAL

The refrigerant system is completely assembled and charged. All internal wiring is complete.

The unit is designed for use with or without duct work. Flanges are provided for attaching the supply and return ducts.

These instructions explain the recommended method to install the air cooled self-contained unit and the electrical wiring connections to the unit.

These instructions and any instructions packaged with any separate equipment required to make up the entire air conditioning system should be carefully read before beginning the installation. Note particularly "Starting Procedure" and any tags and/or labels attached to the equipment.

While these instructions are intended as a general recommended guide, they do not supersede any national and/or local codes in any way. Authorities having jurisdiction should be consulted before the installation is made.

## INSTALLATION

Size of unit for a proposed installation should be based on heat loss calculation made according to methods of Air Conditioning Contractors of America (ACCA). The air duct should be installed in accordance with the Standards of the National Fire Protection Association for the Installation of Air Conditioning and Ventilating systems of Other Than Residence Type, NFPA No. 90A, and Residence Type Warm Air Heating and Air Conditioning Systems, NFPA No. 90B. Where local regulations are at a variance with instructions, installer should adhere to local codes.

## DUCT WORK

Design the duct work according to methods given by the Air Conditioning Contractors of America. When duct runs through unheated spaces, it should be insulated with a minimum of one inch of insulation. Use insulation with a vapor barrier on the outside of the insulation. Flexible joints should be used to connect the duct work to the equipment in order to keep the noise transmission to a minimum.

A one-inch clearance to combustible material for the first three feet of duct attached to the outlet air frame is required. See page 5 for further details.

## FILTER

A one inch throwaway filter is supplied with each unit. The filter slides into position making it easy to service. This filter can be serviced from the outside by removing the service door.

## FRESH AIR INTAKE

All units are built with a fresh air inlet hole punched in the service panel. The fresh air damper assembly is shipped with each unit, and must be attached at the installation site. See Figure 1 for typical installation procedure.

The fresh air damper assembly is standard equipment with the unit because of the variety of state or local codes requiring fresh air capability.

All capacity, efficiency and cost of operation information as required for Department of Energy "Energyguide" Fact Sheets is based upon the fresh air blank-off plate in place and is recommended for maximum energy efficiency.

The blank-off plate is available upon request from the factory and is installed in place of the fresh air damper shipped with each unit.

## WALL MOUNTING

1. Two holes, the size of the supply and return air openings must be cut through the wall as shown in Figure 2.
2. On wood-frame walls, the wall construction must be strong and rigid enough to carry the weight of the unit without transmitting any unit vibration.
3. Concrete block walls must be thoroughly inspected to insure that they are capable of carrying the weight of the installing unit.
4. Ducts through the walls must be insulated and all joints taped or sealed to prevent air or moisture entering the wall cavity.
5. Some installations may not require any return air duct. It is recommended that on this type of installation that a filter grille be located in the wall. Filters must be of sufficient size to allow a maximum velocity of 400 FPM.

NOTE: If no return air duct is used, applicable installation codes may limit this cabinet to installation only in a single story structure.

## WIRING - MAIN POWER

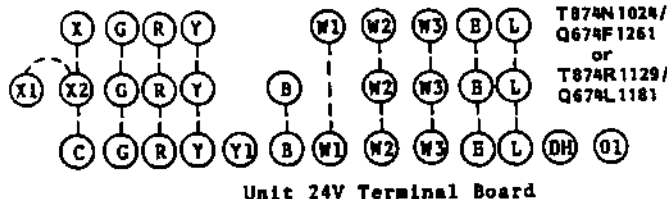
Refer to the unit rating plate for wire sizing information and maximum fuse or "NACR Type" circuit breaker size. Each outdoor unit is marked with a "Minimum Circuit Ampacity." This means that the field wiring used must be sized to carry that amount of current. Depending on the installed Kw of electric heat, there may be two field power circuits required. If this is the case, the unit serial plate will so indicate. Some models are suitable only for connection with copper wire, while others can be wired with either copper or aluminum wire. Each unit and/or wiring diagram will be marked "Use Copper Conductors Only" or "Use Copper or Aluminum Conductors." These instructions MUST BE adhered to. Refer to the National Electrical Code for complete current carrying capacity data on the various insulation grades of wiring material.

The electrical data lists fuse and wire sizes (60°F copper) for all models, including the most commonly used heater sizes. Also shown are the number of field power circuits required for the various models with heaters.

The unit rating plate lists a "Maximum Time Delay Relay Fuse" or "HACR Type" circuit breaker that is to be used with the equipment. The correct size must be used for proper circuit protection and also to assure that there will be no nuisance tripping due to the momentary high starting current of the compressor motor.

#### WIRING - 24V CONTROL CIRCUIT

Nine (9) wires should be run from thermostat subbase to the 24V terminal board in the unit. A nine conductor, 18 gauge copper, color-coded thermostat cable is recommended. The connection points are shown on most of the wiring diagrams and are also shown below.



**IMPORTANT NOTE:** Only the thermostat and subbase combinations as shown above will work with this equipment. The stat and subbase MUST be matched, and correct operation can be assured only by proper selection and application of these parts.

#### CONDENSATE DRAIN

A plastic drain hose extends from the drain pan at the top of the unit down to the unit base. There are openings in the unit base for the drain hose to pass through. In the event the drain hose is connected to a drain system of some type, it must be an open or vented type system to assure proper drainage.

#### COMPRESSOR MALFUNCTION RELAY (Single Phase Models Only)

Actuation of the green "check" lamp is accomplished by a voltage type relay which is factory installed. Any condition such as loss of charge, defective capacitor, defective contactor, etc., that will prevent compressor from operating will cause green lamp to activate. This is a signal to the operator of the equipment to place system in emergency heat position.

#### PRESSURE SERVICE PORTS

High and low pressure service ports are installed on all units so that the system operating pressures can be observed. Pressure curves can be found later in the manual covering all models on both cooling and heating cycles. It is imperative to match the correct pressure curve to the unit by model number.

#### SEQUENCE OF OPERATION

**Cooling** - Circuit R-Y makes at thermostat pulling in compressor contactor, starting the compressor and outdoor motor. The G (indoor motor) circuit is automatically completed on any call for cooling operation, or can be energized by manual fan switch on subbase for constant air circulation.

**Heating** - A 24V solenoid coil on reversing valve controls heating cycle operation. Two thermostat options, one allowing "Auto" changeover from cycle to cycle and the other constantly energizing solenoid coil during heating season and thus eliminating pressure equalization noise except during defrost, are to be used. On "Auto" option, a circuit is completed from R-W1 and R-Y on each heating "on" cycle, energizing reversing valve solenoid and pulling in compressor contactor starting compressor and outdoor motor. R-G also make starting indoor blower motor. Heat pump heating cycle now in operation. The second option has no "Auto" changeover position, but instead energizes the reversing valve solenoid constantly whenever the system switch on subbase is placed in "Heat" position, the "B" terminal being constantly energized from R. A thermostat demand for heat completes R-Y circuit, pulling in compressor contactor starting compressor and outdoor motor. R-G also make starting indoor blower motor.

#### COMPRESSOR CUT-OFF THERMOSTAT & OUTDOOR THERMOSTATS

Heat pump compressor operation at outdoor temperatures below 0°F are neither desirable nor advantageous in terms of efficiency. Since most equipment at time of manufacture is designated for any specific destination of the country, or most of the equipment is installed in areas not approaching the lower outdoor temperature range, the compressor cut-offs are not factory installed.

Outdoor thermostats are available to hold off various banks of electric heat until needed as determined by outdoor temperature. The set point of either type of thermostat is variable with geographic region and sizing of the heating equipment to the structure. Utilization of the Heating Application Data and the heat loss calculation of the building are useful in determining the correct set points.

#### COMPRESSOR CUT-OFF AND OUTDOOR THERMOSTAT WIRING

See specific wiring information on page 6.

#### HEAT ANTICIPATION

Both of the thermostats shown below have a fixed heat anticipator for stage 1 with no adjustment required. Stage 2 has an adjustable anticipator for the W2 connection and fixed for the W3 connection. Both the W2 and W3 circuits are controlled by the stage 2 bulb. The only heat anticipator that needs to be checked is stage 2 and it should be set to match the load carried by the W2 circuit. The normal factory wiring provides for only one electric heat contactor to be controlled by W2, and the anticipator should be set at .40A. If special field wiring is done, it is best to actually measure the load but a good rule is .40A for each heat contactor controlled by W2.

WALL THERMOSTAT AND SUBBASE COMBINATIONS			
Group	Thermostat	Subbase	Predominant Feature
A	8403-017 (T874R1129)	8404-009 (Q674L1181)	Heat or Cool No Auto ①
B	8403-018 (T874N1024)	8404-010 (Q674F1261)	Automatic Heat-Cool Changeover Position ②

- ① No automatic changeover position--must manually place in heat or cool. Reversing valve remains energized at all times system switch is in heat position (except during defrost cycle). No pressure equalization noise when thermostat is satisfied on either heating or cooling.
- ② Allows thermostat to control both heating and cooling operation when set in "AUTO" position. Reversing valve de-energizes at end of each "ON" heating cycle.

**IMPORTANT NOTE:** Both thermostat and subbase combinations shown above incorporate the following features: Man-Auto fan switch, Off-Heat-Cool-Em, Heat Switch, and two (2) indicator lamps—one for emergency heat and one for compressor malfunction.

#### THERMOSTAT INDICATOR LAMPS

The red lamp marked "EM.HT." comes on and stays on whenever the system switch is placed in the emergency heat position. The green lamp marked "check" will come on if there is any problem that prevents the compressor from running when it is supposed to be.

#### EMERGENCY HEAT POSITION

The operator of the equipment must manually place the system switch in this position. This is done when there is a known problem with the indoor section, or when the green "check" lamp comes on indicating a problem.

## DEFROST CYCLE

The defrost cycle is controlled by time and temperature. The 24 volt timer motor runs all the time the compressor is in operation. When the outdoor temperature is in the lower 40°F temperature range or colder, the outdoor coil temperature is 32°F or below. This temperature is sensed by the defrost thermostat mounted near the bottom of the outdoor coil on a return bend. The defrost thermostat closes at approximately 32°F. Every 60 (or 30) minutes that the compressor is running, contacts 3-5 close for 7 minutes, with contacts 3-4 closed for the first 40 seconds of that 7 minutes. If the defrost thermostat is closed, the defrost relay energizes and places the system in defrost mode. An interlocking circuit is created with timer contacts 3-5 and defrost relay contacts 7-9 in series.

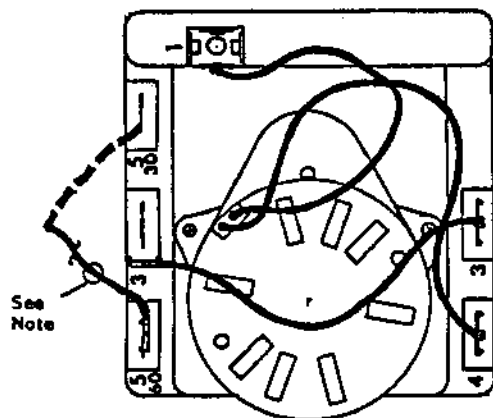
During the defrost mode, the refrigerant cycle switches back to the cooling cycle, the outdoor motor stops, electric heaters are energized, and hot gas passing through the outdoor coil melts any accumulated frost. When the temperature rises to approximately 37°F, the defrost thermostat opens, de-energizing the defrost relay and returning the system to heating operation.

If some abnormal or temporary condition such as a high wind causes the heat pump to have a prolonged defrost cycle, contacts 3-5 of the defrost timer will open after 7 minutes and restore the system to heating operations automatically.

There are two time settings on the defrost timer—30 minutes and 60 minutes. Most models are shipped wired on the 60 minute setting for greatest operating economy. If special circumstances require a change to the shorter time, remove wire connected to terminal 5/60 and reconnect to terminal 5/30.

There is a manual advance knob located on the timer. This can be used to advance timer to contact closure point if it is desired to check out defrost cycle operation, without waiting for time to elapse.

### DEFROST TIMER WIRING



**NOTE:** All models are connected to 5/60 terminal (60 minute). Any model can be changed from 60 minutes to 30 minutes by unplugging from 5/60 terminal and reconnecting to 5/30 terminal as shown by dotted line.

## SERVICE HINTS

1. Caution homeowner to maintain clean air filters at all times. Also, not to needlessly close off supply and return air registers. This reduces air flow through the system, which shortens equipment service life as well as increasing operating costs.
2. Switching to heating cycle at 75°F or higher outside temperature may cause a nuisance trip of the manual reset high pressure switch.
3. The heat pump wall thermostats perform multiple functions. Be sure that all function switches are correctly set for the desired operating mode before trying to diagnose any reported service problems.

4. Check all power fuses or circuit breakers to be sure that they are the correct rating.
5. Periodic cleaning of the outdoor coil to permit full and unrestricted airflow circulation is essential.

## IMPORTANT INSTALLER NOTE

For improved start-up performance wash the indoor coil with a dishwasher detergent.

## CRANKCASE HEATERS

All units are provided with some form of compressor crankcase heat. Some single phase units utilize the compressor motor start winding in series with a portion of the run capacitor to generate heat within the compressor shell to prevent liquid refrigerant migration.

Some three phase units utilize a wraparound type of crankcase heater that warms the compressor oil from the outside.

Some single and three phase models have an insertion well-type heater located in the lower section of the compressor housing. This is a self-regulating type heater that draws only enough power to maintain the compressor at a safe temperature.

Some form of crankcase heat is essential to prevent liquid refrigerant from migrating to the compressor, causing oil pump out on compressor start-up and possible valve failure due to compressing a liquid.

Refer to unit wiring diagram to find exact type of crankcase heater used.

The following decal is affixed to all outdoor units detailing start-up procedure. This is very important. Please read carefully.

## IMPORTANT

THESE PROCEDURES MUST BE FOLLOWED AT INITIAL START-UP AND AT ANY TIME POWER HAS BEEN REMOVED FOR 12 HOURS OR LONGER.

TO PREVENT COMPRESSOR DAMAGE WHICH MAY RESULT FROM THE PRESENCE OF LIQUID REFRIGERANT IN THE COMPRESSOR CRANKCASE

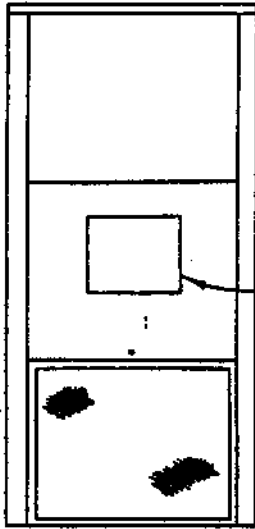
1. MAKE CERTAIN THE ROOM THERMOSTAT IS IN THE "OFF" POSITION. (THE COMPRESSOR IS NOT TO OPERATE).
2. APPLY POWER BY CLOSING THE SYSTEM DISCONNECT SWITCH THIS ENERGIZES THE COMPRESSOR HEATER WHICH EVAPORATES THE LIQUID REFRIGERANT IN THE CRANKCASE.
3. ALLOW 4 HOURS OR 60 MINUTES PER POUND OF REFRIGERANT IN THE SYSTEM AS NOTED ON THE UNIT RATING PLATE, WHICHEVER IS GREATER.
4. AFTER PROPERLY ELAPSED TIME THE THERMOSTAT MAY BE SET TO OPERATE THE COMPRESSOR.
5. EXCEPT AS REQUIRED FOR SAFETY WHILE SERVICING - DO NOT OPEN SYSTEM DISCONNECT SWITCH.

7981-081

Note: If this unit is operated in cooling below a 65° outdoor ambient temperature, the installation of low ambient control (LAC-1 and 8201-008 relay) to unit is required.

**UNIT MODELS**

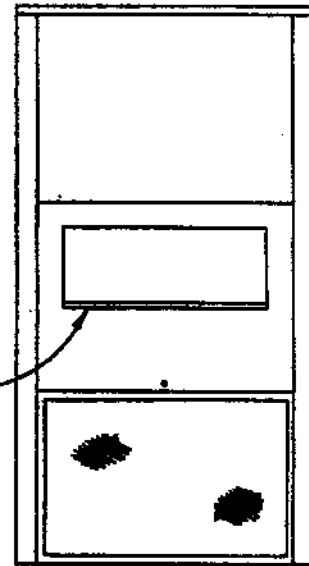
20WA  
24WA  
18WH  
24WH



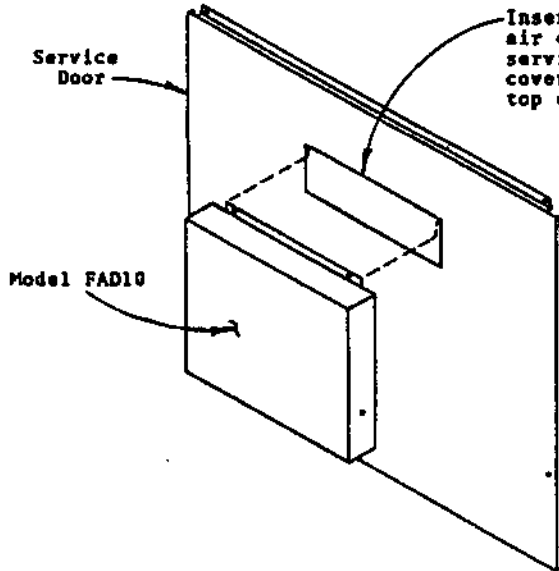
Model FAD10  
Fresh Air Cover  
With Adjustable  
Damper

**UNIT MODELS**

30WA  
34WA  
30WH  
36WH  
42WA  
48WA  
60WA  
48WH  
60WH



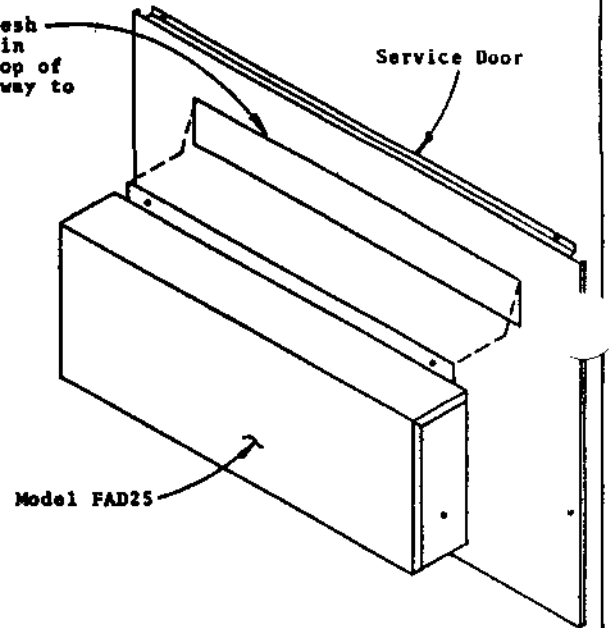
MODEL FAD25  
Fresh Air Cover  
With Adjustable  
Damper



Service Door

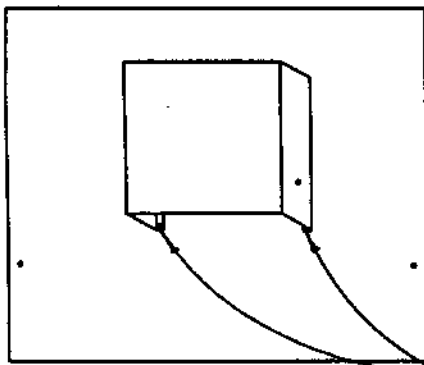
Model FAD10

Insert top flange of fresh air cover into opening in service door and push top of cover assembly all the way to top of opening.



Service Door

Model FAD25



Secure bottom of Fresh Air Cover Assembly with two screws.

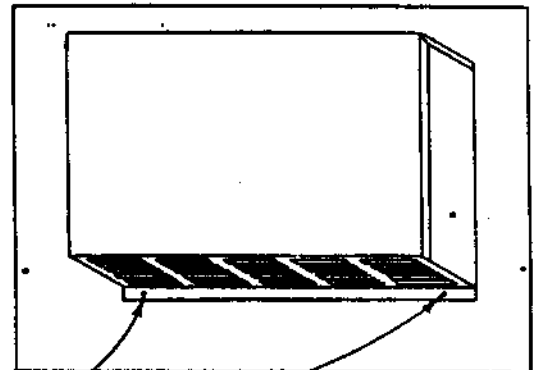
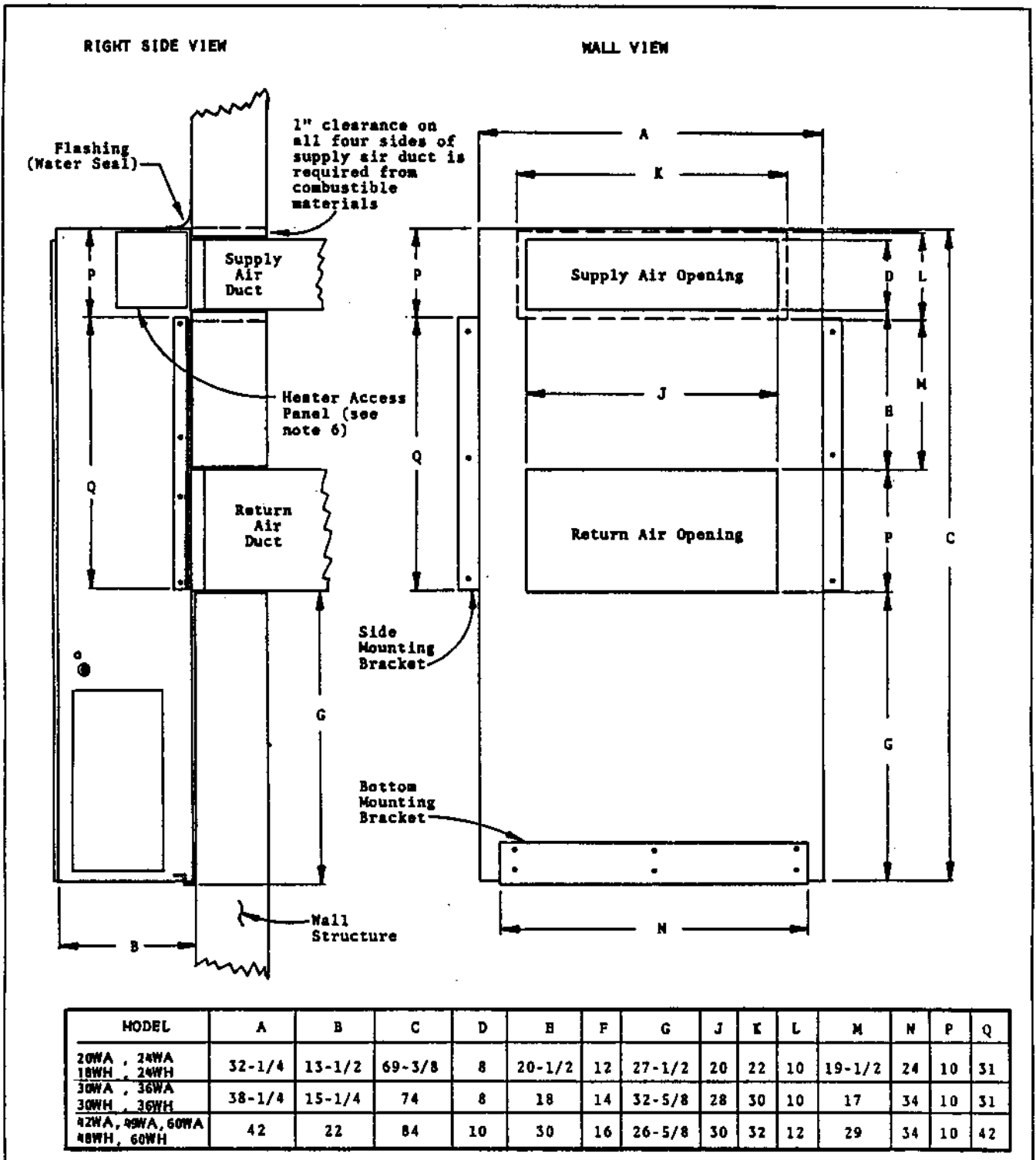


FIGURE 1

FIGURE 2



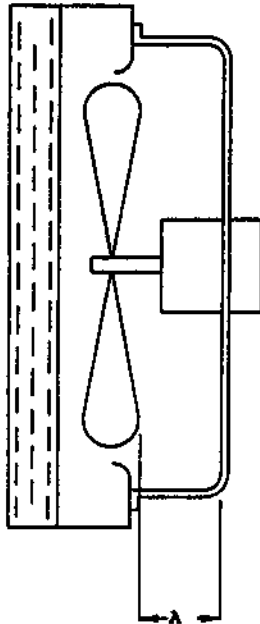
MOUNTING INSTRUCTIONS

1. These units are secured by wall mounting brackets which secure the unit to the outside wall surface at both sides and at the bottom.
2. The unit itself is suitable for "0" inch clearance, but the supply air duct flange and the first few feet of supply air duct require 1 inch clearance to combustible material. If combustible wall, use K and L dimensions for sizing, if non-combustible, use D and J.
3. After the wall opening positions have been selected, lay out the position for the bottom and side brackets. Fasten the brackets securely to the wall (type of fasteners will depend on wall construction).
4. Be sure to observe the P dimension when attaching the side brackets. This will assure that no screws are driven into the unit sides damaging any internal parts. One-half inch sheet metal screws are recommended.
5. For additional mounting rigidity, the return air and supply air (depending upon wall construction) frames or collars can be drilled and screwed or welded to the structural wall itself. Be sure to observe required clearance if combustible wall.
6. Maintain 30 inches minimum clearance on right side of unit to allow access to heat strip.

**FAN BLADE SETTING DIMENSIONS**

Shown in the drawing below are the correct fan blade setting dimensions for proper air delivery across the outdoor coil.

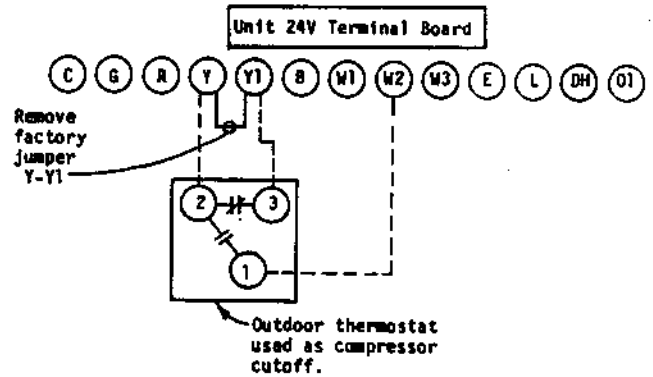
Any service work requiring removal or adjustment in the fan and/or motor area will require that the dimensions below be checked and blade adjusted in or out on the motor shaft accordingly.



MODEL	DIM. A
18WH6	1/2
24WH6	1/2

RATED CFM AND E.S.P. (WET COIL--COOLING)			
Model	Rated CFM	Rated E.S.P.	Recommended Airflow Range
18WH6	650	.35	585 - 725
24WH6	825	.15	740 - 910

**COMPRESSOR CUT-OFF AND OUTDOOR THERMOSTAT WIRING**



**REFRIGERANT CHARGE**

The correct system R-22 charge is shown on the unit rating plate. Optimum unit performance will occur with a refrigerant charge resulting in a suction line temperature (6" from compressor) as shown in the following table:

Model	Rated Airflow	95°F OD Temp.	82°F OD Temp.
18WH6	650	62 - 64	70 - 72
24WH6	825	56 - 58	65 - 67

The above suction line temperatures are based upon 80°F dry bulb/67°F wet bulb (50% R.H.) temperature and rated airflow across the evaporator during cooling cycle.

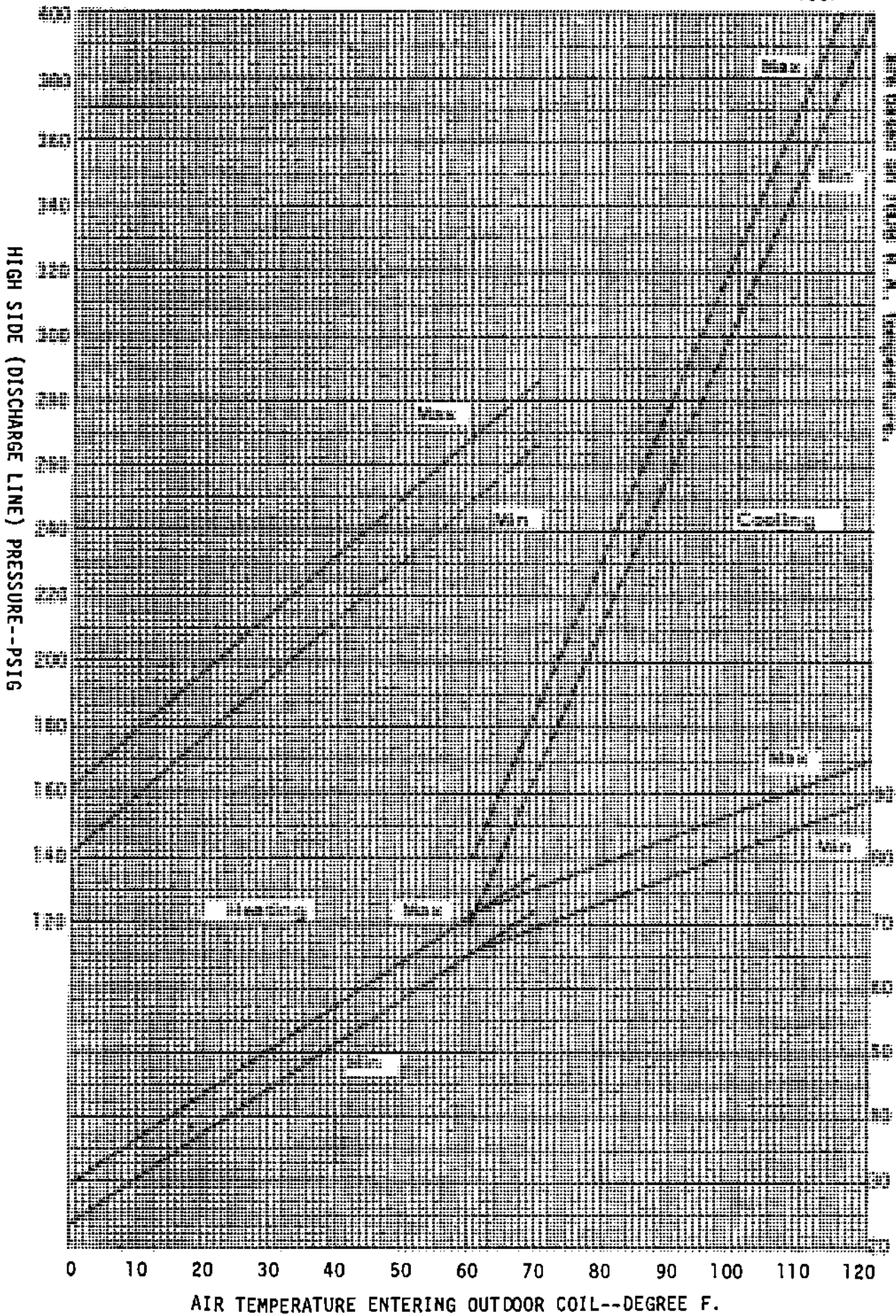
INDOOR BLOWER PERFORMANCE CFM--DRY COIL WITH FILTER	
E.S.P. Inches H <sub>2</sub> O	Model 18WH6-24WH6
.0	1000
.1	935
.2	870
.3	800
.4	715
.5	630

ELECTRICAL INFORMATION								WIRING INFORMATION**		
Model	Rated Volts/Ph.	Operating Voltage Range	Heater* KW	Max Unit Amps	No. Field Power Circuits	Internal Fuses Ckt. A/B	Required (1) Overcurrent Protection	Min. Ckt. Ampacity Ckt. A/B	Field Power Wiring Ckt. A/B	Ground Wire Size Ckt. A/B
18WH6	230/208-1	197-253	0	11.5	1		20	15	14	12
			4	27.2	1		35	35	8	10
			8	43.8	1		60	56	4	10
24WH6	230/208-1	197-253	0	14	1		30	19	12	10
			4	29.2	1		45	39	8	10
			7.9	45.5	1		60	60	4	10

\*Electric heaters are nominal Kw @ 240V or 480V.  
 \*\*Based on 60°C copper wire. Other wiring materials must be rated for marked "Minimum Circuit Ampacity" or greater. Not all models approved for aluminum wire.

(1) Time delay fuses or "HACR Type" circuit breakers must be used for 60 and smaller sizes. Standard fuses or circuit breakers are suitable for sizes 70 and larger.

Cooling curves are based upon 80DB, 67WB Temp. and rated CFM (airflow) across the evaporator coil and should be used for reference purposes only. Specific information can be found under section titled "Refrigerant Charge" elsewhere in manual. If there is any doubt as to correct operating charge being in the system, the charge should be removed, system evacuated, and recharged according to serial plate instructions. Heating curves



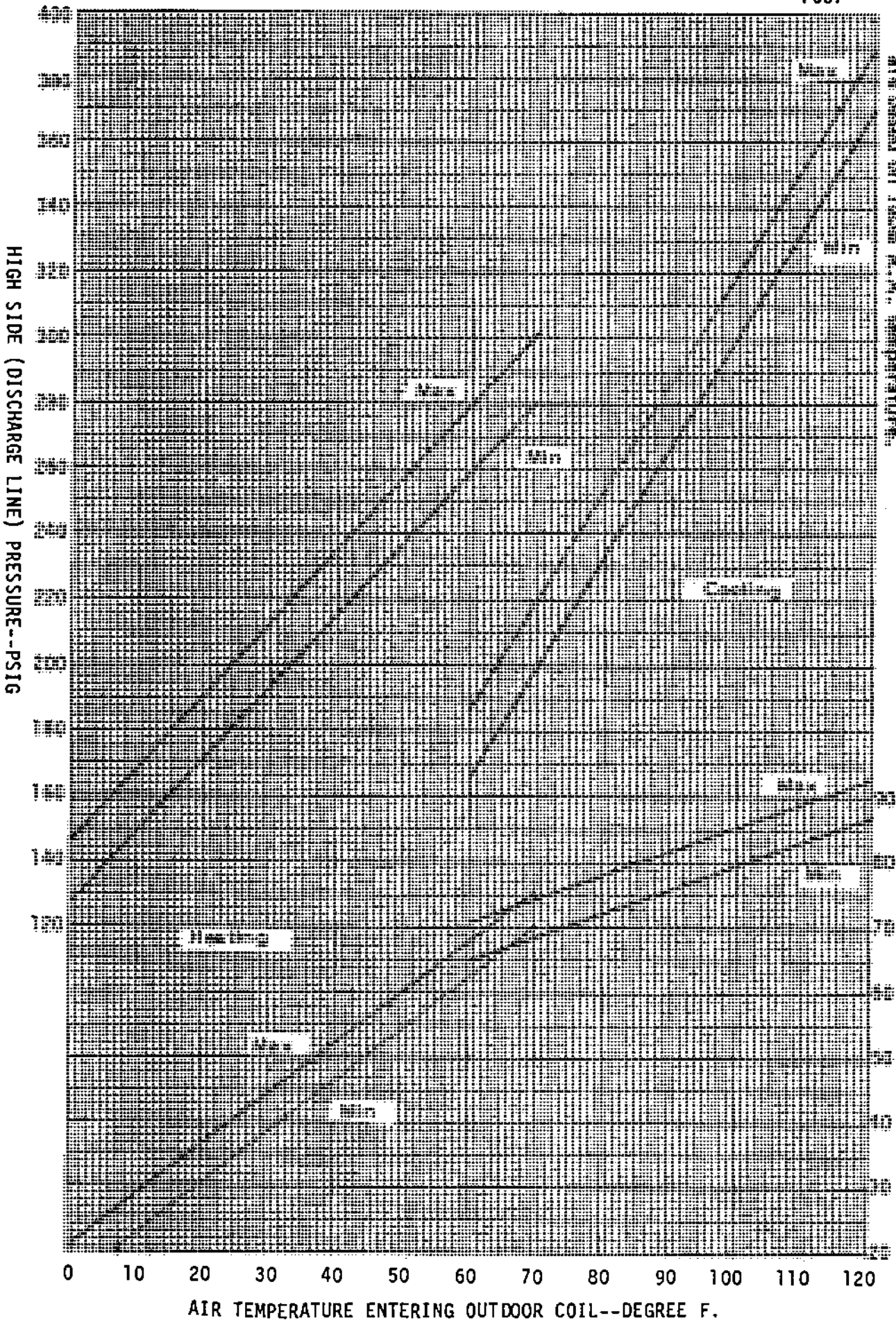
LOW SIDE PRESSURE--PSIG  
(SUCTION LINE)

HIGH SIDE (DISCHARGE LINE) PRESSURE--PSIG

AIR TEMPERATURE ENTERING OUTDOOR COIL--DEGREE F.



Cooling curves are based upon 80DB, 67WB Temp. and 1.2 cfm/ft<sup>2</sup> (airflow) across the evaporator coil and should be used for reference purposes only. Specific information can be found under section titled "Refrigerant Charge" elsewhere in manual. If there is any doubt as to correct operating charge being in the system, the charge should be removed, system evacuated, and recharged according to serial plate instructions. Heating curves are based on 70DB P.A. temperature.



LOW SIDE PRESSURE--PSIG  
(SUCTION LINE)

AIR TEMPERATURE ENTERING OUTDOOR COIL--DEGREE F.

**PARTS LIST**  
**SINGLE PACKAGE HEAT PUMP**

10/87

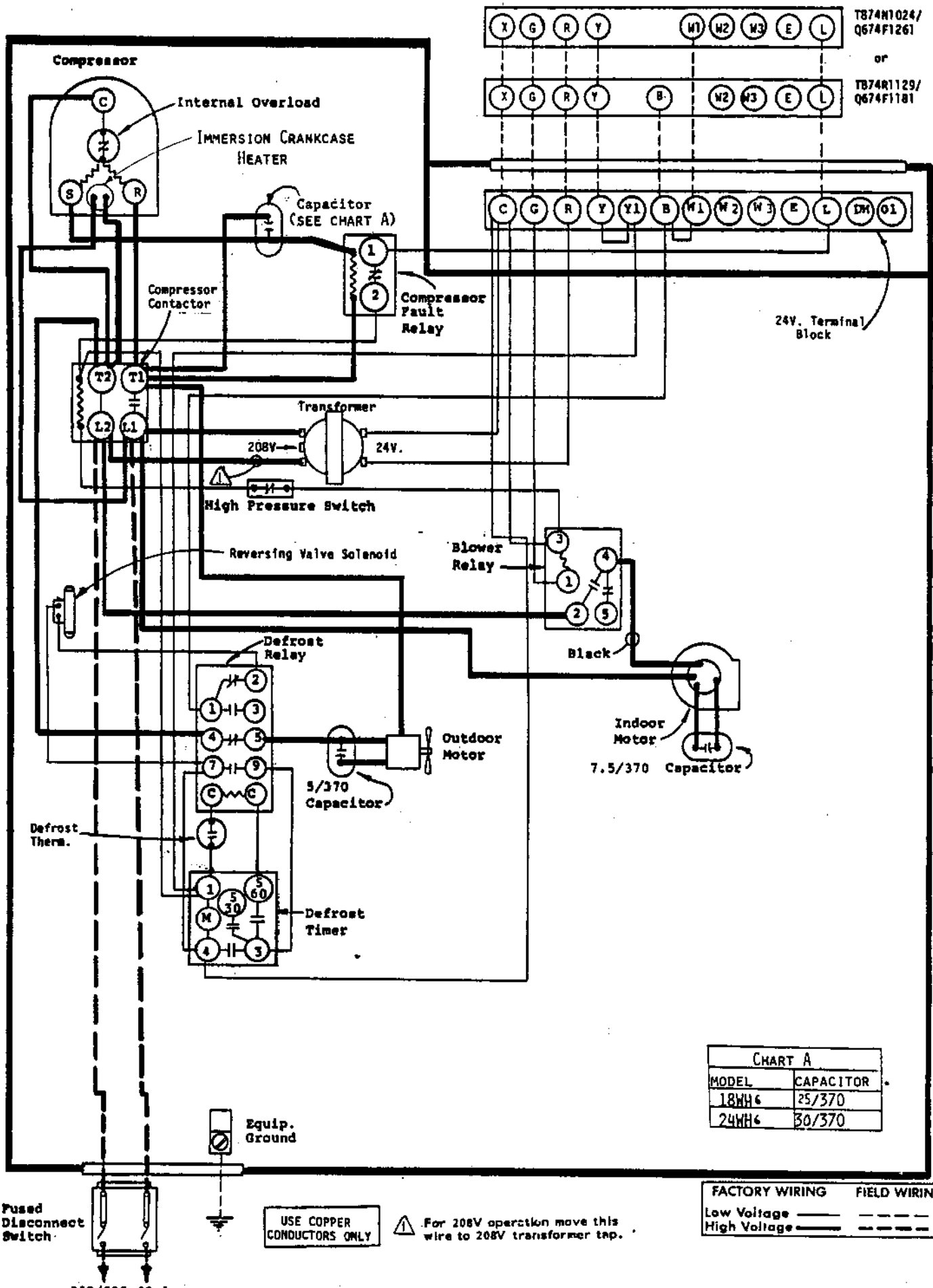
Part No.	Description														
		18WH6-A00N	18WH6-A04N	18WH6-A08N	18WH6-A00C	18WH6-A04C	18WH6-A08C	24WH6-A00N	24WH6-A04N	24WH6-A08N	24WH6-A00C	24WH6-A04C	24WH6-A08C	24WH6-C00N	24WH6-C06N
5202-006	Accumulator	x	x	x	x	x	x	x	x	x	x	x	x	x	x
5152-030	Blower Housing 9-7	x	x	x	x	x	x	x	x	x	x	x	x	x	x
5152-028	Blower Wheel 9-7	x	x	x	x	x	x	x	x	x	x	x	x	x	x
5152-029	Blower Wheel 9-7	x	x	x	x	x	x	x	x	x	x	x	x	x	x
8552-045	Capacitor 30/370V							x	x	x	x	x	x		
8552-002	Capacitor 5/370V	x	x	x	x	x	x	x	x	x	x	x	x	2	2
8552-004	Capacitor 7 1/2/370V	x	x	x	x	x	x	x	x	x	x	x	x		
5811-031	Capillary Tube - Cool	2	2	2	2	2	2								
5811-034	Capillary Tube - Heat	1	1	1	1	1	1								
5811-036	Capillary Tube - Cool							2	2	2	2	2	2	2	2
5651-036	Check Valve	x	x	x	x	x	x	x	x	x	x	x	x	x	x
8000-100	Compressor AW5517F	x	x	x	x	x	x								
8000-101	Compressor H23B223ABCA							x	x	x	x	x	x	x	x
5811-017	Capillary Tube - Heat							1	1	1	1	1	1	1	1
8401-007	Contacto r - Compressor 25A	1	1	1	1	1	1	1	1	1	1	1	1		
8401-006	Contacto r - Heater 2P18		1	1		1	1		1	1		1	1		
8401-002	Contacto r - 30A													1	2
8408-018	Defrost Thermostat	x	x	x	x	x	x	x	x	x	x	x	x	x	x
5060-048	Evaporator Coil	x	x	x	x	x	x	x	x	x	x	x	x	x	x
8552-027	Capacitor 25/370V	x	x	x	x	x	x								
5151-033	Fan Blade F10H8.7	x	x	x	x	x	x	x	x	x	x	x	x	x	x
7004-006	Filter 14x25	x	x	x	x	x	x	x	x	x	x	x	x	x	x
8604-041	Heat Strip 4kw		1			1			1			1			
8604-043	Heat Strip 8kw			1			1			1			1		
8406-011	High Pressure Switch	x	x	x	x	x	x	x	x	x	x	x	x	x	x
8402-048	Limit Switch 160°		x	x		x	x		x	x		x	x		x
8102-009	Motor - Blower 1/6 hp	x	x	x	x	x	x	x	x	x	x	x	x		
8103-016	Motor - Fan 1/5 hp	x	x	x	x	x	x	x	x	x	x	x	x		
8200-023	Motor Mount - Fan	x	x	x	x	x	x	x	x	x	x	x	x	x	x
8201-009	Relay - Blower	x	x	x	x	x	x	x	x	x	x	x	x		
8201-047	Relay - Defrost	x	x	x	x	x	x	x	x	x	x	x	x	x	x
8201-024	Relay - Compressor Fault	x	x	x	x	x	x	x	x	x	x	x	x		
5650-009	Reversing Valve	x	x	x	x	x	x	x	x	x	x	x	x	x	x
5650-008	Solenoid Coil	x	x	x	x	x	x	x	x	x	x	x	x	x	x
5210-002	Strainer	1	1	1	1	1	1	1	1	1	1	1	1	1	1
8607-019	Terminal Board	x	x	x	x	x	x	x	x	x	x	x	x	x	x
8607-013	Terminal Block 230V		x	x					x	x					
8402-030	Thermal Cut-off		1	2		1	2		1	2		1	2		3
8612-012	Timer	x	x	x	x	x	x	x	x	x	x	x	x	x	x
8407-035	Transformer	x	x	x	x	x	x	x	x	x	x	x	x	x	x
8200-031	Motor Mount - Blower	x	x	x	x	x	x	x	x	x	x	x	x	x	x
5411-011	Motor Mounting Parts	x	x	x	x	x	x	x	x	x	x	x	x	x	x

**PARTS LIST**  
**SINGLE PACKAGE HEAT PUMP**

10

Part No.	Description	18WH6-A00N	18WH6-A04N	18WH6-A08N	18WH6-A00C	18WH6-A04C	18WH6-A08C	24WH6-A00N	24WH6-A04N	24WH6-A08N	24WH6-A00C	24WH6-A04C	24WH6-A08C	24WH6-C00N	24WH6-C06N
5210-004	Strainer	1	1	1	1	1	1	1	1	1	1	1	1	1	1
8000-034	Compressor AH5524E													x	x
8604-060	Heat Strip 6kw 480V													x	x
8105-033	Motor - Blower 1/3 hp													x	x
8103-014	Motor - Fan 1/5 hp													x	x
8201-032	Relay - Blower													2	2
8607-014	Terminal Block														1
8607-015	Phenolic Insulator														1
8407-037	Transformer													x	x
8615-022	Circuit Breaker				1										
8615-009	Circuit Breaker					1									
8615-015	Circuit Breaker						1								
8615-013	Circuit Breaker									1					
8615-010	Circuit Breaker										1				
8615-016	Circuit Breaker											1			
4011-110	Wiring Diagram	x						x							
4011-111	Wiring Diagram				x						x				
4011-120	Wiring Diagram		x						x						
4011-121	Wiring Diagram					x						x			
4011-130	Wiring Diagram			x						x					
4011-131	Wiring Diagram						x						x		
4011-310	Wiring Diagram													x	
4011-320	Wiring Diagram														x
5051-041	Condenser Coil	x	x	x	x	x	x	x	x	x	x	x	x	x	x

Subject to change without notice. Supersedes all previous lists.



TB74M1024/  
Q674F1261  
or  
TB74R1129/  
Q674F1181

24V. Terminal  
Block

**CHART A**

MODEL	CAPACITOR
18WH6	25/370
24WH6	30/370

FACTORY WIRING	FIELD WIRING
Low Voltage	-----
High Voltage	-----

**USE COPPER CONDUCTORS ONLY**

⚠ For 208V operation move this wire to 208V transformer tap.

Fused Disconnect Switch

230/208-60-1

4011-110P

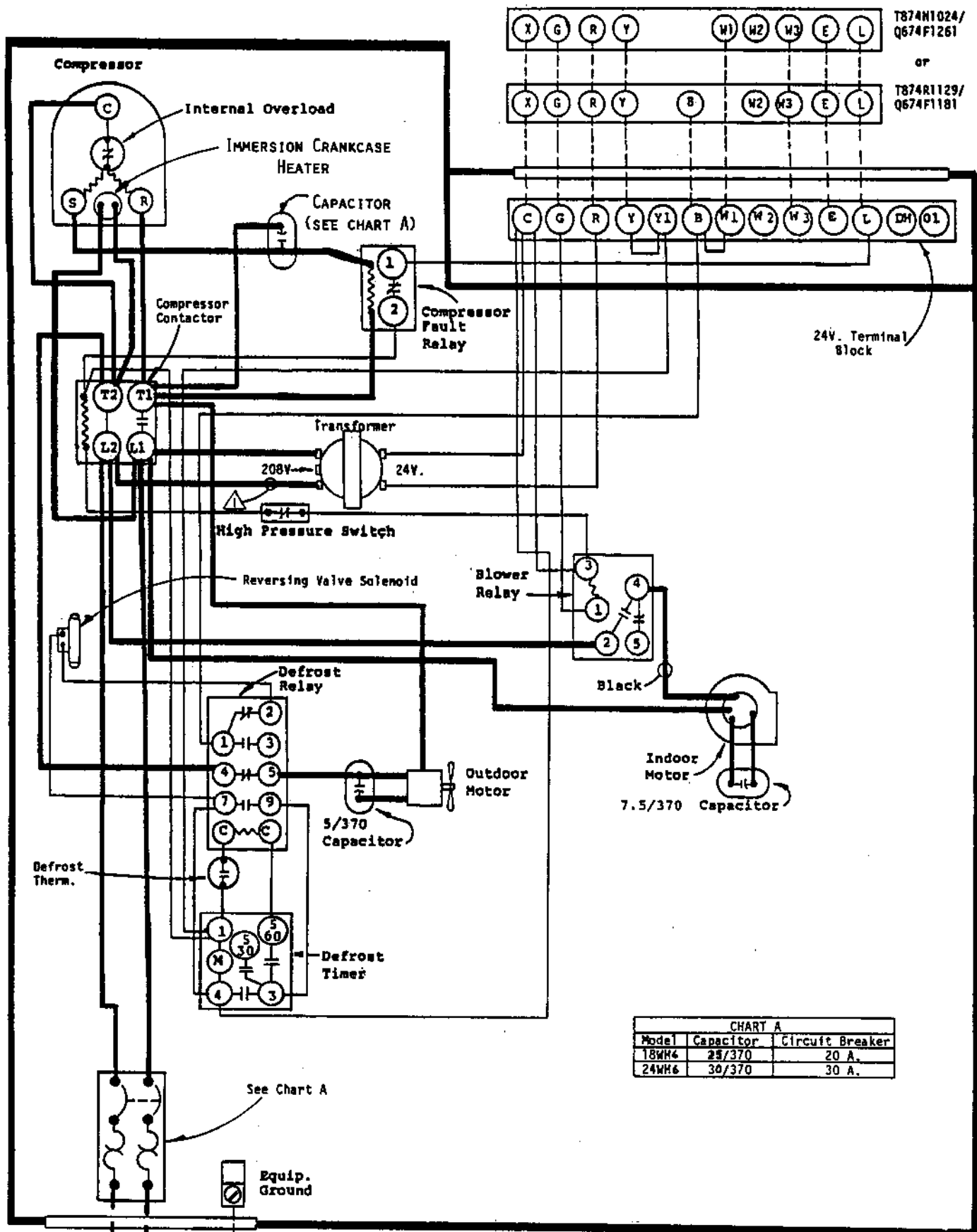


CHART A

Model	Capacitor	Circuit Breaker
18WH4	25/370	20 A.
24WH6	30/370	30 A.

**USE COPPER OR ALUMINUM WIRE**

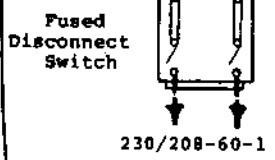
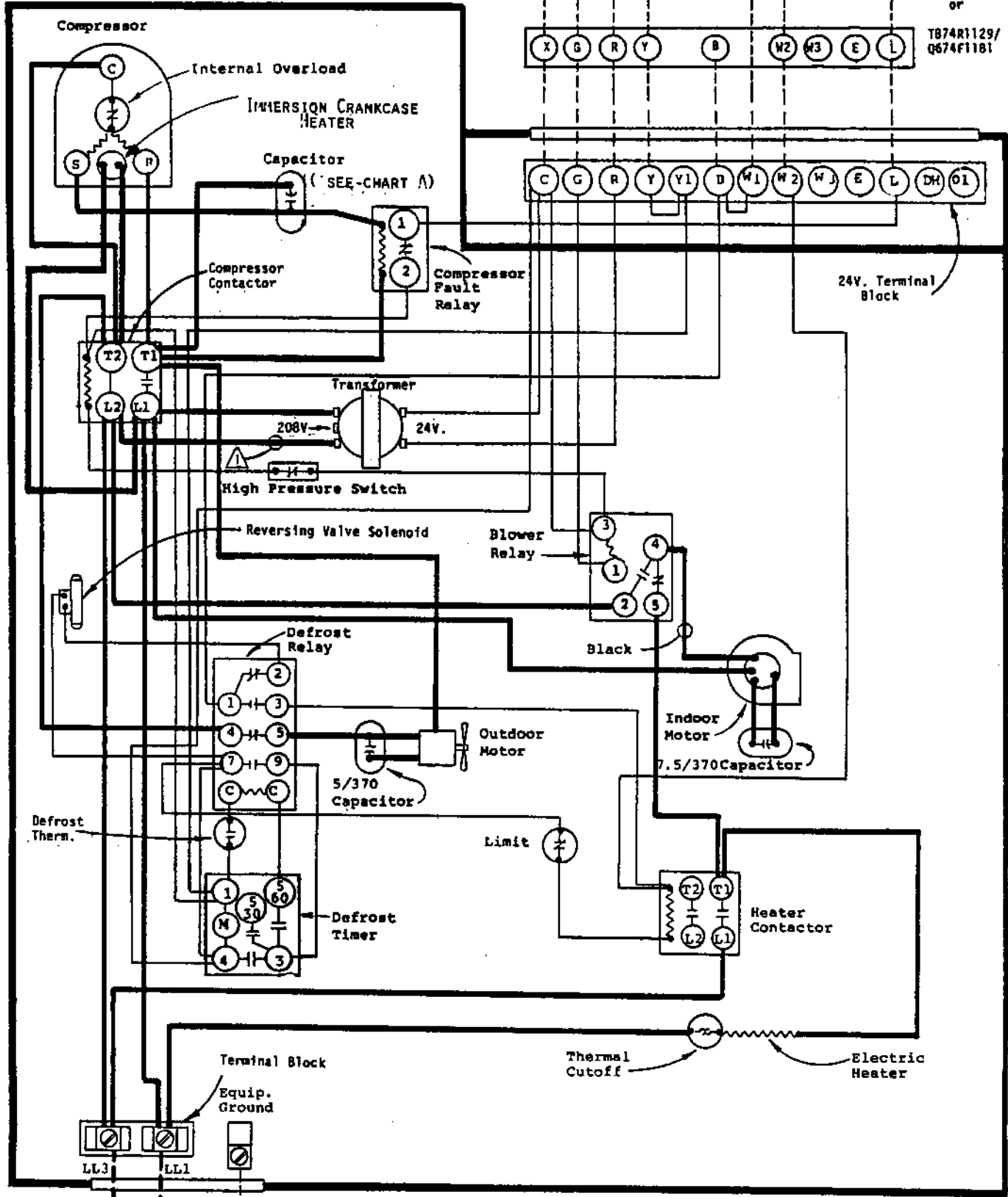
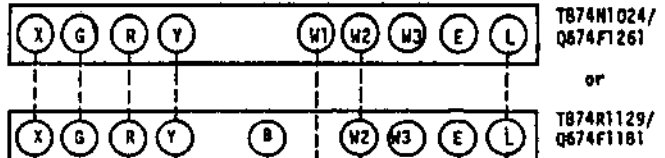
⚠ For 208V operation move this wire to 208V transformer tap.

	FACTORY WIRING	FIELD WIRING
Low Voltage	————	- - - - -
High Voltage	————	- - - - -

230/208-60-1

CHART A

MODEL	CAPACITOR
19WH6	25/370
24WH6	30/370

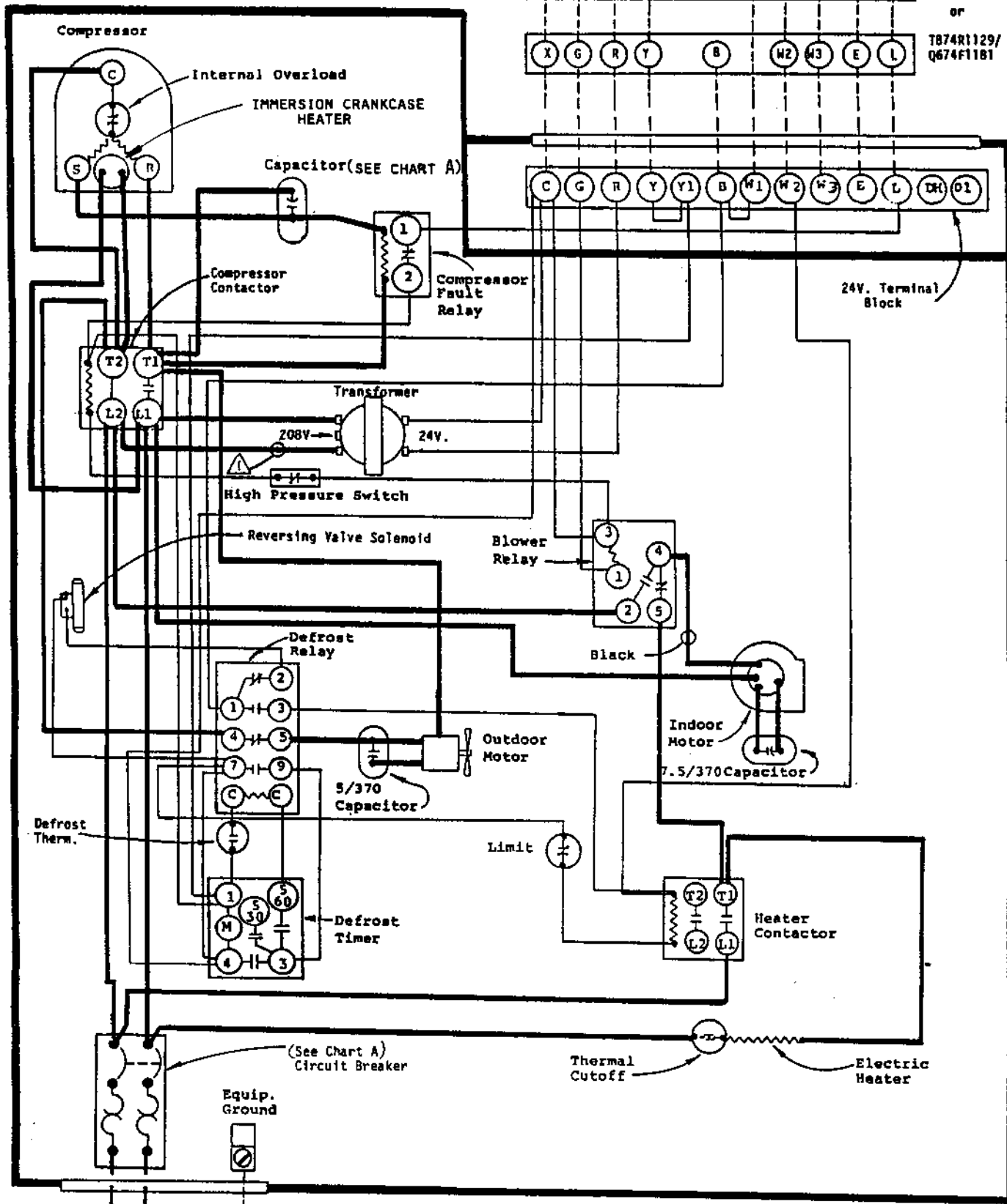


⚠ For 208V operation move this wire to 208V transformer tap.

USE COPPER OR ALUMINUM WIRE

	FACTORY WIRING	FIELD WIRING
Low Voltage	————	-----
High Voltage	————	-----

CHART A		
MODEL	CAPACITOR	Circuit Breaker
18WH6	25/370	35 A.
24WH6	30/370	45 A.



⚠ For 208V operation move this wire to 208V transformer tap.

USE COPPER OR ALUMINUM WIRE

	FACTORY WIRING	FIELD WIRING
Low Voltage	—————	- - - - -
High Voltage	—————	- - - - -

230/208-60-1

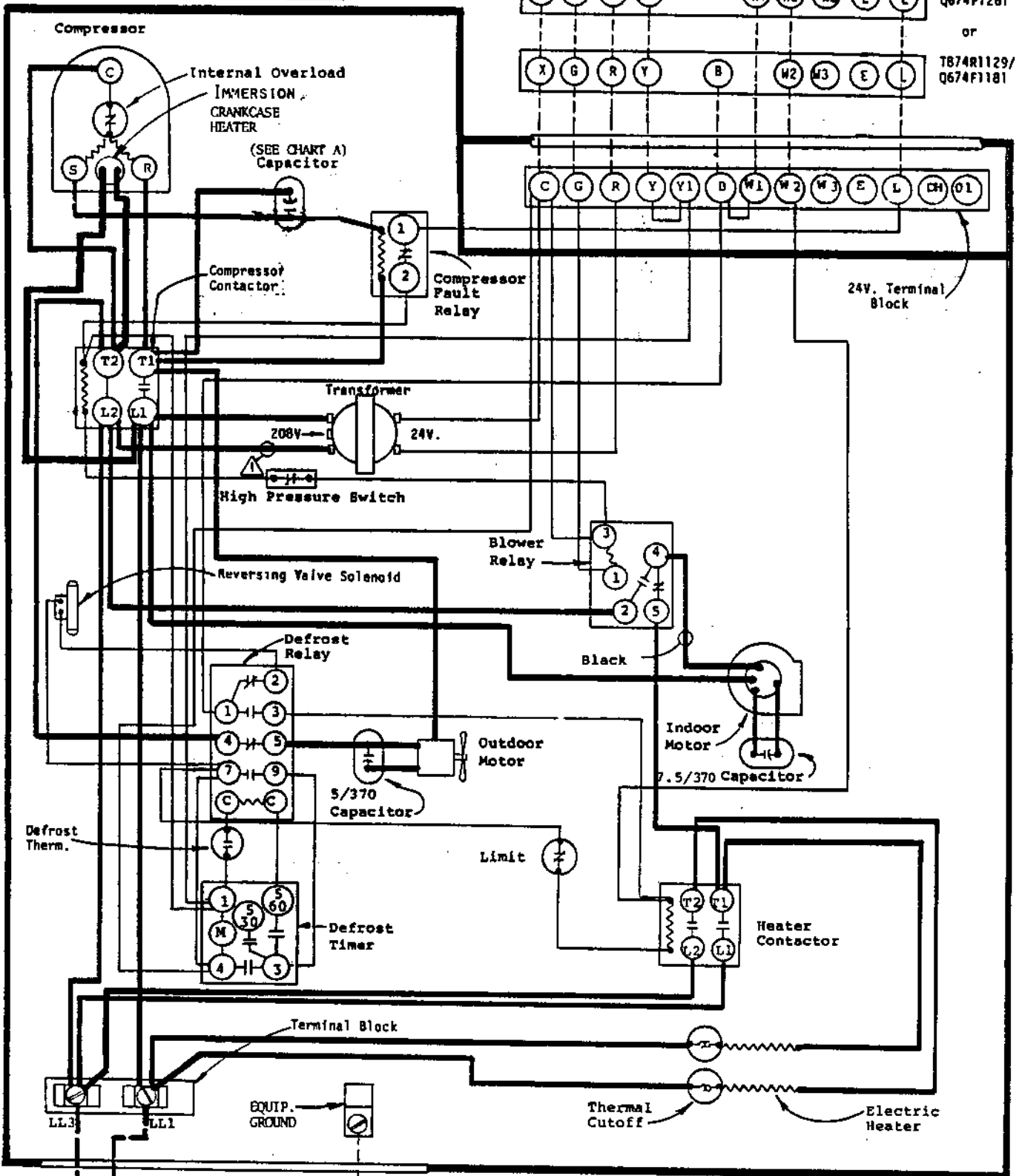
4011-1210

CHART A	MODEL	CAPACITOR
	18M16	25/370
	24M16	30/370

T874N1024/  
Q674F1261

or

T874R1129/  
Q674F1181



Defrost Therm.

⚠ For 208V operation move this wire to 208V transformer tap.

USE COPPER OR ALUMINUM WIRE

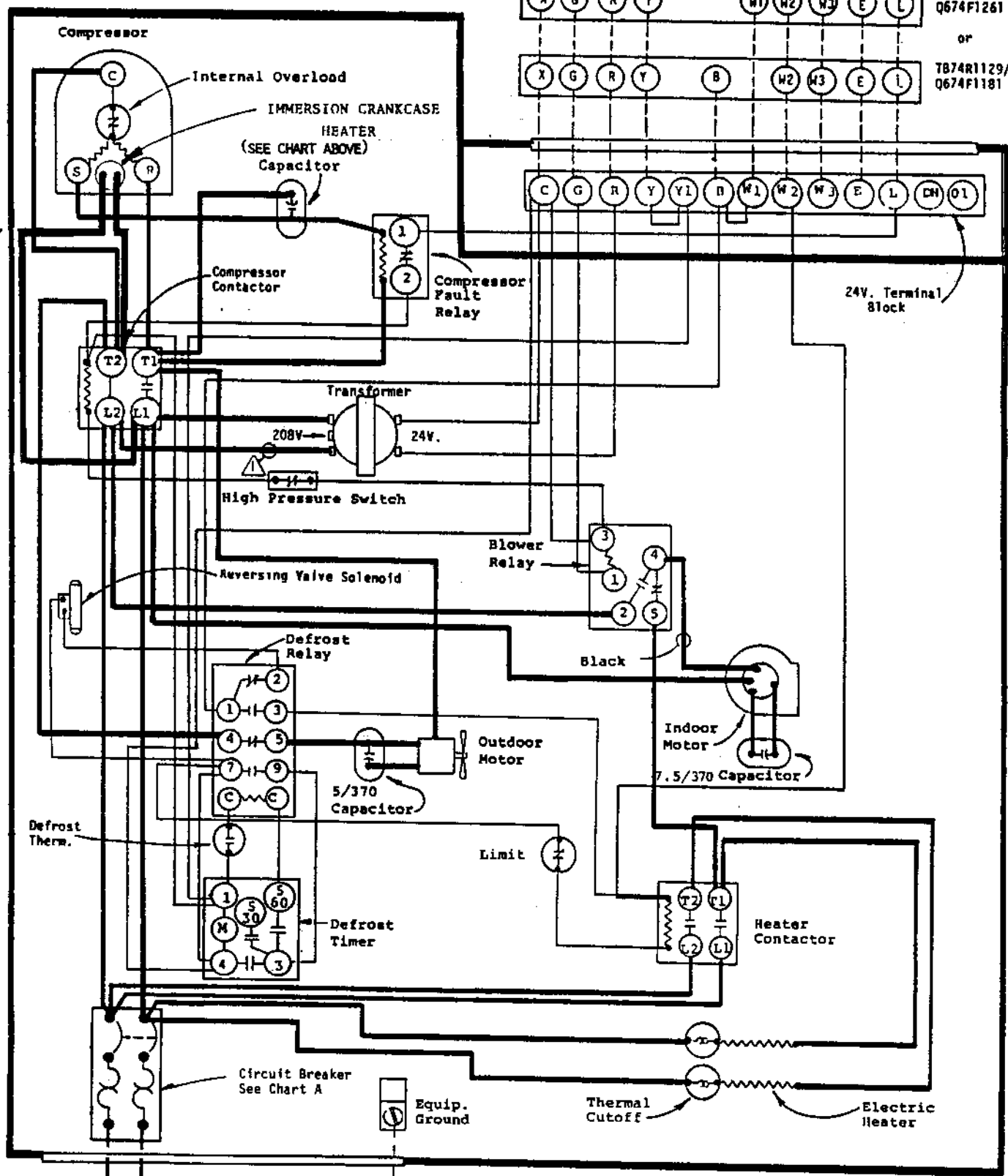
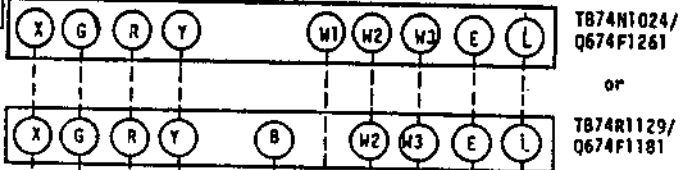
FACTORY WIRING	FIELD WIRING
Low Voltage ———	-----
High Voltage ———	-----

230V 60Hz 1-Ph

4011-1305



MODEL	CAPACITOR	Circuit Breaker	Chart A
184H6	25/370	50 A.	
244H6	30/370	60 A.	



Defrost Therm.

use copper or aluminum wire

⚠ For 208V operation move this wire to 208V transformer tap.

FACTORY WIRING	FIELD WIRING
Low Voltage	-----
High Voltage	-----

230V 60Hz 1-Ph

4011-1310



