
INSTALLATION INSTRUCTIONS

HOT GAS BYPASS SYSTEM DESIGN

WALL MOUNTED AND PAD MOUNTED PACKAGED AIR CONDITIONERS



Bard Manufacturing Company
Bryan, Ohio 43506

*Since 1914...Moving ahead, just
as planned.*

Manual : 2100-144 E
Supersedes: 2100-144 D
File: Volume III Tab 16
Date: 10-01-99

© Copyright 1999

Contents

Hot Gas Bypass System Design	1
System Capacity Control	1
Bypass to Evaporator Inlet with Distributor	2
Externally Equalized Bypass Valves	2
Head Pressure Control	2
ORI Valve Operation	3
ORD Valve Operation	4
Adjustable ORI / ORD System Operation (4 - 6 ton) ..	4
OROA Valve Operation (2 & 3 ton)	5
Refrigerant Charge	6
Troubleshooting Guide	7
Typical Control Circuit Wiring	7

Figures

Figure 1	Adjustable Spring Type DBV	1
Figure 2	System Capacity Control	2
Figure 3	Head Pressure Control Valve	3
Figure 4	ORD Pressure Differential	4
Figure 5	Head Pressure Control	4
Figure 6	OROA Valve	5
Figure 7	ORI / ORD System	6
Figure 8	24V Connection	7
Figure 9	Troubleshooting Guide	8
Figure 10	Typical Piping Diagram	9
Figure 11	Compressor Burnout Cleanup Procedure	10

HOT GAS BYPASS SYSTEM DESIGN

The Hot Gas Bypass System Design consists of two important modifications to the standard, proven air conditioning unit: system capacity control and head pressure control. Each of these sets of controls performs a specific function but both are necessary and dependent upon one another in the overall operation of the system.

The system is designed for outdoor operating temperature range of -10 degrees F to 115 degrees F. Both the head pressure control and the system capacity control are accomplished in the refrigerant cycle design and are independent of the electrical circuit.

SYSTEM CAPACITY CONTROL

The hot gas bypass valve monitors the outlet pressure of the evaporator and will begin to modulate open as the load on the unit decreases to the point where the evaporator temperature is at the setpoint of the bypass valve. The bypass valves are factory adjusted to a setting of 70 psig (41 degrees F evaporator temperature). This means that the compressor can be operated continuously and the minimum evaporator temperature will be maintained at 41 degrees F regardless of indoor or outdoor load conditions. Should a lower minimum

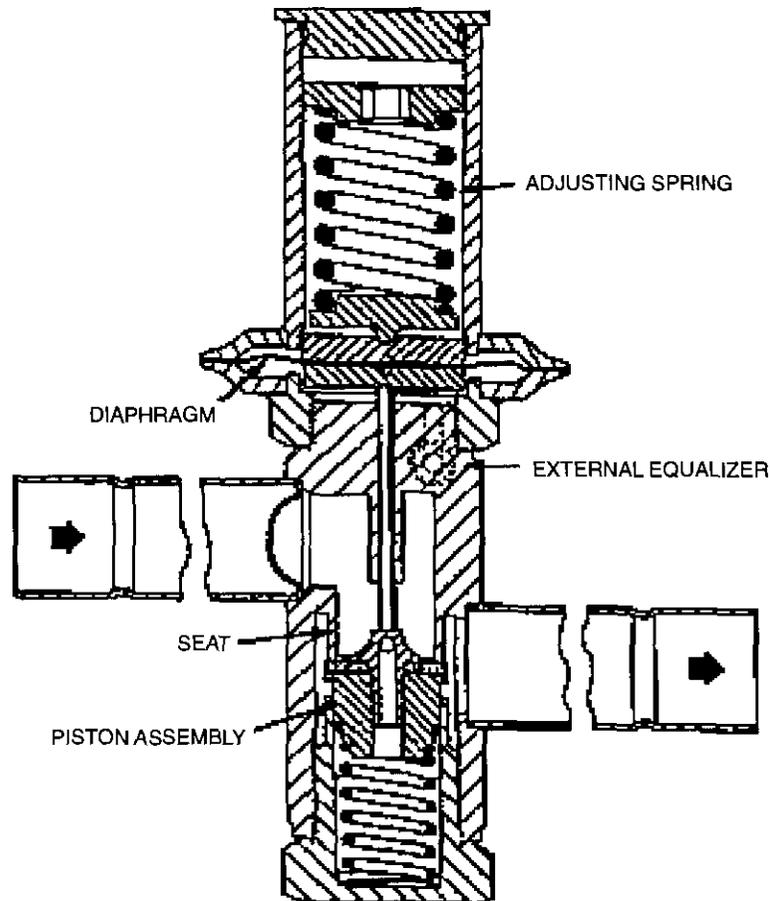
evaporator temperature be desired, it can be reduced to 36 degrees F by turning the adjusting screw in the end of the remote adjusting bulb in a ccw direction. A 46 degree F evaporator temperature can be achieved by turning the adjusting screw to its full cw position.

The hot gas bypass valve (also call Discharge Bypass Valve or DBV) responds to changes in downstream pressure (suction pressure) from the evaporator.

When the evaporating pressure is above the valve setting the valve remains closed. As the suction pressure drops below the valve setting, the valve responds and begins to open. As with all modulating type valves, the amount of opening is proportional to the change in the variable being controlled – in this case the suction pressure. As the suction pressure continues to drop, the valve continues to open farther until the limit of the valve stroke is reached. See Figure 1.

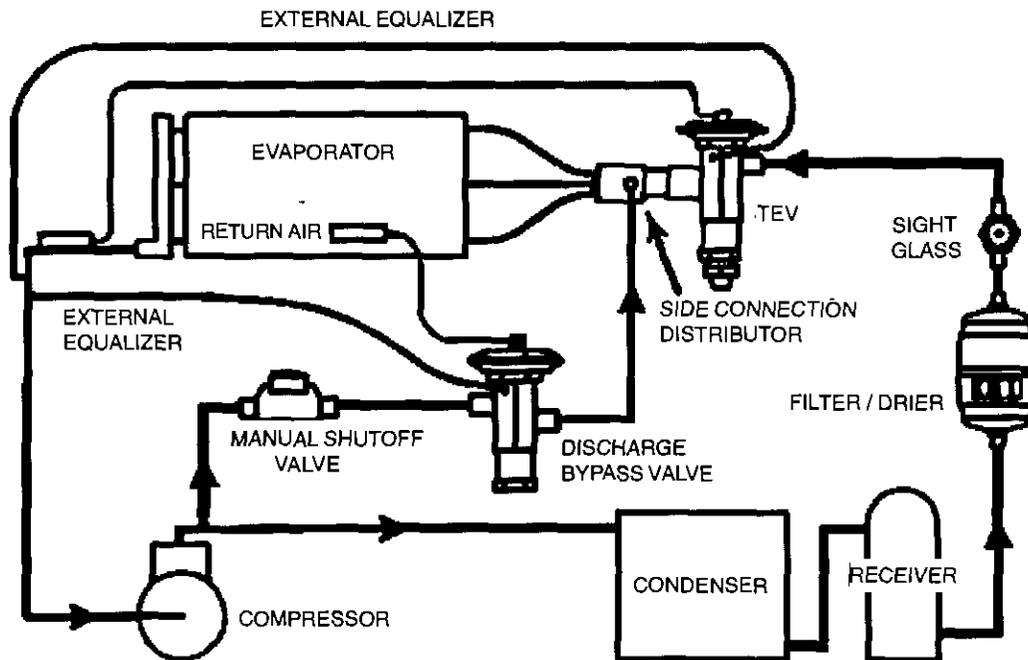
NOTE: Figure 1 shows the "adjustable spring type" DBV. This type of valve is used on the Bard Wall Mounted products. The Bard pad mounted package units use an "adjustable remote bulb type" where the adjusting spring shown on top of valve in Figure 1 is in a 7/8" X 4.5" bulb and located in the evaporator air stream. The adjustment screw is on the open end (end opposite capillary tubing.)

FIGURE 1
ADJUSTABLE SPRING TYPE DBV



pp5-man#-fig 1

FIGURE 2
SYSTEM CAPACITY CONTROL



pp5-man#-fig2

BYPASS TO EVAPORATOR INLET WITH DISTRIBUTOR

This method of application, illustrated in Figure 2, provides distinct advantages.

The primary advantage of this method is that the system thermostatic expansion valve will respond to the increased superheat of the vapor leaving the evaporator and will provide the liquid required for desuperheating. Also the evaporator serves as an excellent mixing chamber for the bypassed hot gas and the liquid-vapor mixture from the expansion valve. This ensures a dry vapor reaching the compressor suction. Oil return from the evaporator is also improved since the velocity in the evaporator is kept high by the hot gas.

EXTERNALLY EQUALIZED BYPASS VALVES

Since the primary function of the DBV is to maintain suction pressure, the compressor suction pressure is the control pressure and must be exerted on the underside of the valve diaphragm. When the DBV is applied as shown in Figure 2 where there is an appreciable pressure drop between the valve outlet and the compressor suction, the externally equalized valve must be used. This is true because when the valve opens, a sudden rise in pressure occurs at the valve outlet.

A thermal expansion valve with external equalizer and a special refrigerant distributor to allow hot gas injection at the *inlet* of the evaporator by feeding the side connection distributor is utilized. The expansion valve also has a rapid pressure balancing feature to allow system pressure equalization during any periods the compressor may be turned off.

HEAD PRESSURE CONTROL

The Bard hot gas systems incorporate two types of head pressure control systems. On all 4, 5 and 6 ton wall mount and pad mounted products use the two component system, an ORI and ORD valve as shown in Figures 3 and 4. On the 2 and 3 ton sizes, a single control called OROA is used. This valve is a combination of the ORI and ORD, and is nonadjustable as shown in Figure 6.

Design of air conditioning system utilizing air cooled condensing units involves two main problems which must be solved if the system is to operate reliably and economically – high ambient and low ambient operation. If the condensing unit is properly sized, it will operate satisfactorily during extremely high ambient temperatures. However, since most units will be required to operate at ambient temperatures below their design dry bulb temperature during most of the year, the solution to low ambient operation is more complex.

Without good head pressure control during low ambient operation, the system can experience both running cycle and off-cycle problems. Two running cycle problems are of prime concern:

1. Since the pressure differential across the thermostatic expansion valve port affects the rate of refrigerant flow, low head pressure generally causes insufficient refrigerant to be fed to the evaporator.
2. Any system using hot gas for compressor capacity control must have a normal head pressure to operate properly. In either case failure to have sufficient head pressure will result in low suction pressure and/or iced evaporator coils.

The primary off-cycle problem is the possible inability to get the system on-the-line if the refrigerant has migrated to the condenser. Insufficient flow through the TEV will cause a low suction pressure which results in compressor cycling.

When low ambient conditions are encountered during operation on air cooled systems with the resultant drop in condensing pressure, head pressure control's purpose is to hold back enough of the condensed liquid refrigerant so that some of the condenser surface is rendered inactive. This reduction of active condensing surface results in a rise in condensing pressure and sufficient liquid line pressure for normal system operation.

A head pressure control valve and a pressure differential valve are used in conjunction with a receiver to allow for proper head pressure control. Any system using hot gas for capacity control must have a normal head pressure to operate properly.

The operation of the valve types – ORI and ORD – is discussed below. When the operation of each valve is understood, it is easier to apply them to systems that require head pressure control.

ORI VALVE OPERATION

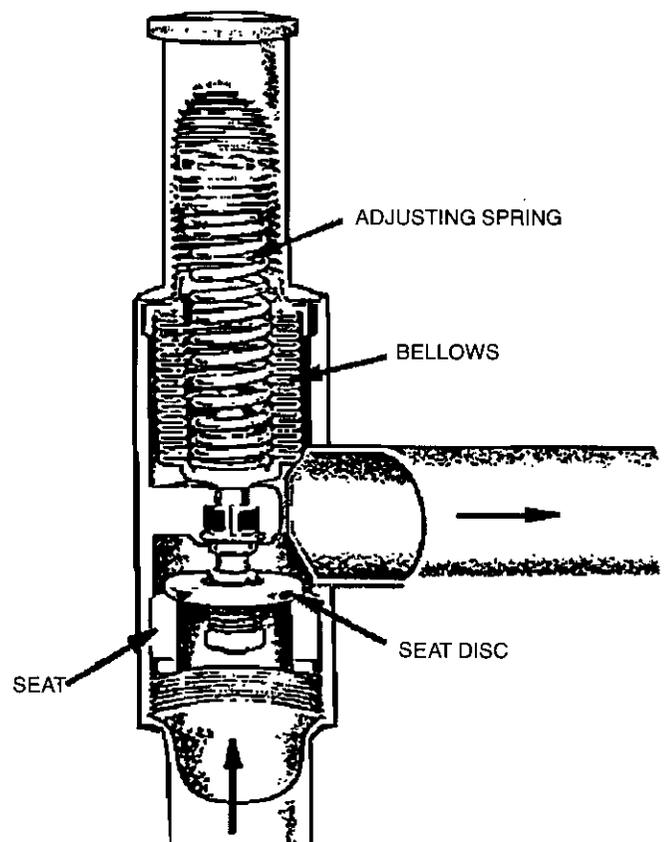
The ORI head pressure control valve is an inlet pressure regulating valve and responds to changes in condensing pressure only. The valve designation stands for Opens on Rise of Inlet pressure. As shown in Figure 3, the outlet pressure is exerted on the underside of the bellows and on top of the seat disc. Since the effective area of the bellows is equal to the area of the port, the outlet pressure cancels out the inlet pressure acting on the

bottom of the seat disc opposes the adjusting spring force. These two forces are the operating forces of the ORI.

When the outdoor ambient temperature changes, the ORI opens or closes in response to the change in condensing pressure. An increase in inlet pressure above the valve setting tends to open the valve. And if the ambient temperature drops, the condenser capacity is increased and the condensing pressure drops off. This causes the ORI to start to close or assume a throttling position.

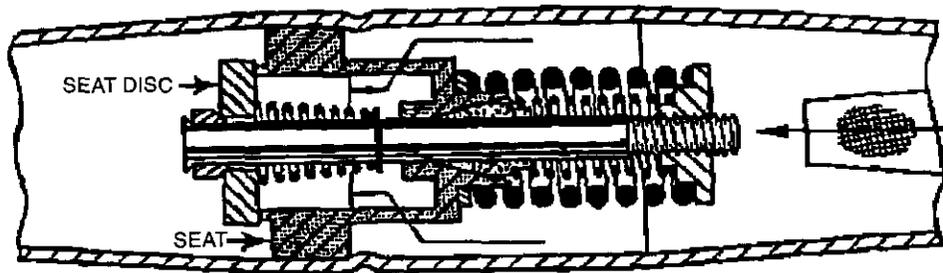
The head pressure control valve will begin to throttle when the condensing pressure falls below the setting of the valve. This restricts the flow of liquid from the condenser, causing the refrigerant to back up into the condenser and raising the head pressure. The valve is factory set to maintain a nominal 225 psig minimum head pressure. Head pressures of higher than 225 psig will occur during any conditions of indoor or outdoor loading that would dictate so.

FIGURE 3
HEAD PRESSURE CONTROL VALVE



pp5-man#-fig3

FIGURE 4
ORD PRESSURE DIFFERENTIAL VALVE



pp5-man#-fig4

ORD VALVE OPERATION

The ORD valve is a pressure differential valve that responds to changes in the pressure difference across the valve, Figure 4. The valve designation stands for Opens on Rise of Differential pressure. Therefore, the ORD is dependent on some other control valve or action for its operation. And in this respect, it is used with the ORI for head pressure control.

As the ORI valve starts to throttle, the flow of liquid refrigerant from the condenser, a pressure differential is created across the ORD. When the differential reaches 25 psi, the ORD starts to open and bypasses hot gas to the liquid line. As the differential increases, the ORD opens further until its full stroke is reached at a differential of 30 psi. The hot gas flowing through the pressure differential valve heats up the cold liquid being passed by the head pressure control valve, and the liquid refrigerant reaching the receiver is warm and with sufficient pressure to assure proper expansion valve operation.

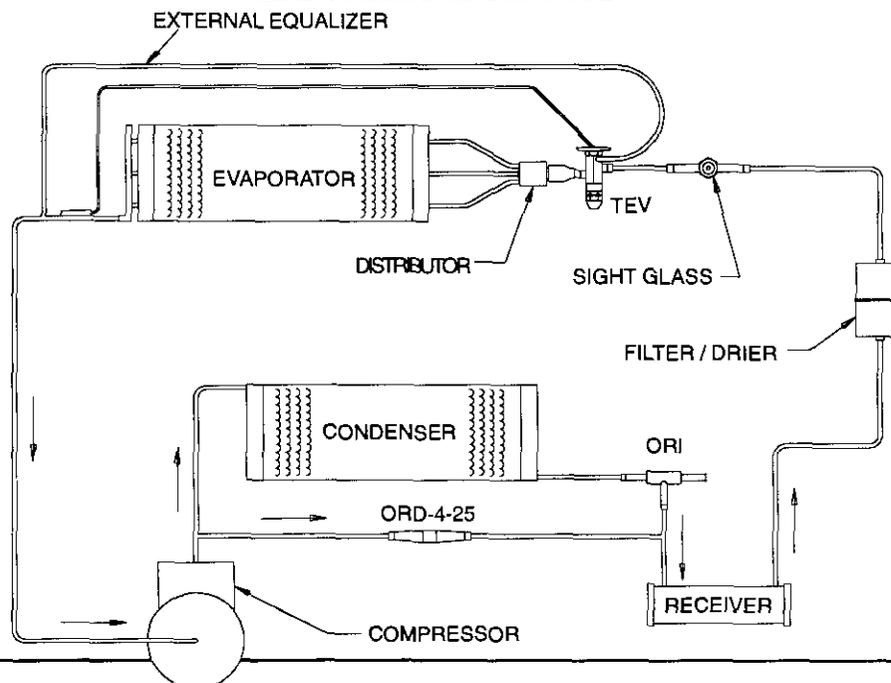
ADJUSTABLE ORI / ORD SYSTEM OPERATION (4 - 6 ton)

The adjustable ORI head pressure control valve and the nonadjustable ORD pressure differential valve comprise an improved system of head pressure control.

The operation of the ORI/ORD system is such that a constant receiver pressure is maintained for normal system operation.

As shown in Figure 5, the ORI is located in the liquid line between the condenser and the receiver. And the ORD is located in a hot gas line bypassing the condenser. During periods of low ambient temperature, the condensing pressure falls until it approaches the setting of the ORI valve. The ORI then throttles, restricting the flow of liquid from the condenser. This causes refrigerant to back up in the condenser thus reducing the active condenser surface. This raises the condensing pressure. Since it is really receiver pressure that needs to be maintained, the bypass line with the ORD is required.

FIGURE 5
HEAD PRESSURE CONTROL



MIS-1419

The ORD opens after the ORI has offered enough restriction to cause the differential between condensing pressure and receiver pressure to exceed 25 psi. The hot gas flowing through the ORD serves to heat up the cold liquid being passed by the ORI. Thus the liquid reaches the receiver warm and with sufficient pressure to assure proper expansion valve operation. As long as sufficient refrigerant charge is in the system, the two valves modulate the flow automatically to maintain proper receiver pressure regardless of outside ambient.

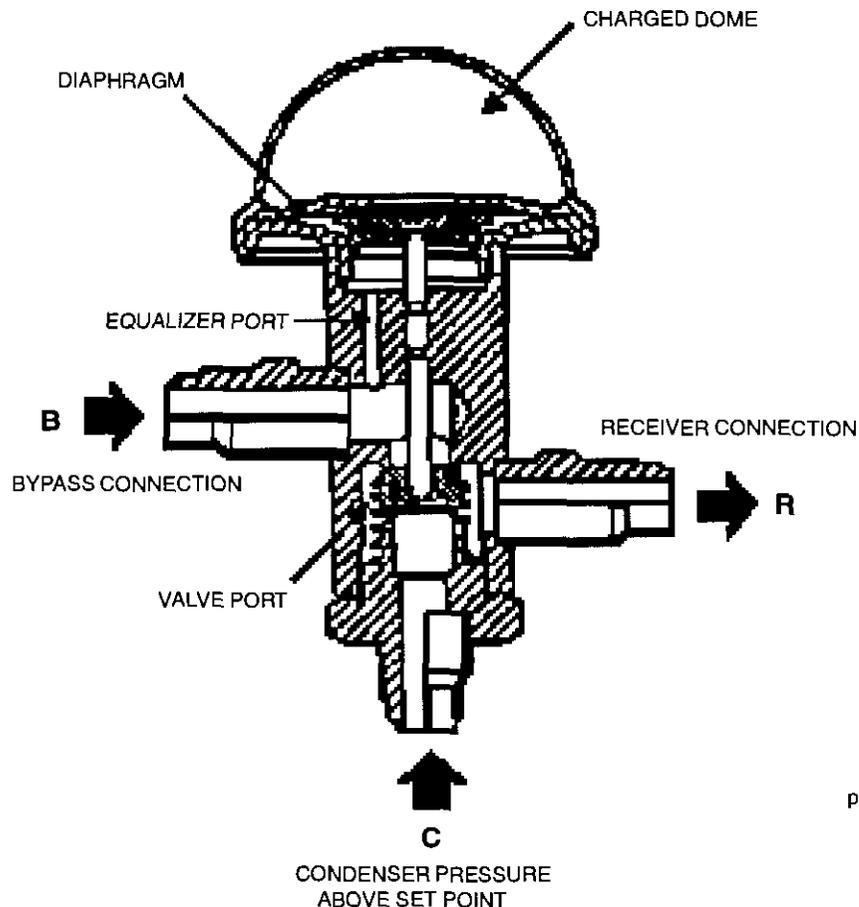
OROA VALVE OPERATION (2 & 3 ton systems)

The OROA is a non-adjustable, three-way modulating valve controlled by the discharge pressure. At high ambient air temperature, the discharge gas under the diaphragm where it counteracts the pressure of the dome charge. This upward push on the diaphragm allows the seat disc to seal against the top seat, preventing discharge gas from flowing to the receiver. While the flow from the condenser coil to the receiver is unrestricted.

When the ambient starts to fall, which will result in a lower discharge pressure, the charged dome pressure will overcome the discharge pressure which will allow discharge gas to be metered into the receiver which will in turn increase the pressure in the receiver to provide adequate liquid pressure to the TXV. In this mode the flow from the condenser will be restricted and liquid will back up in the condenser, that will in turn cause the discharge pressure to increase, which will interrupt the flow of discharge gas into the receiver and allow the liquid to flow from the condenser coil to the receiver.

As with all head pressure controls the system must have adequate refrigerant charge to flood the condenser coil. Insufficient system charge will cause the OROA to stay in the mode where the discharge gas will flow to the receiver, and all refrigeration effect will be lost.

FIGURE 6
OROA VALVE



pp5-man#-fig6

REFRIGERANT CHARGE

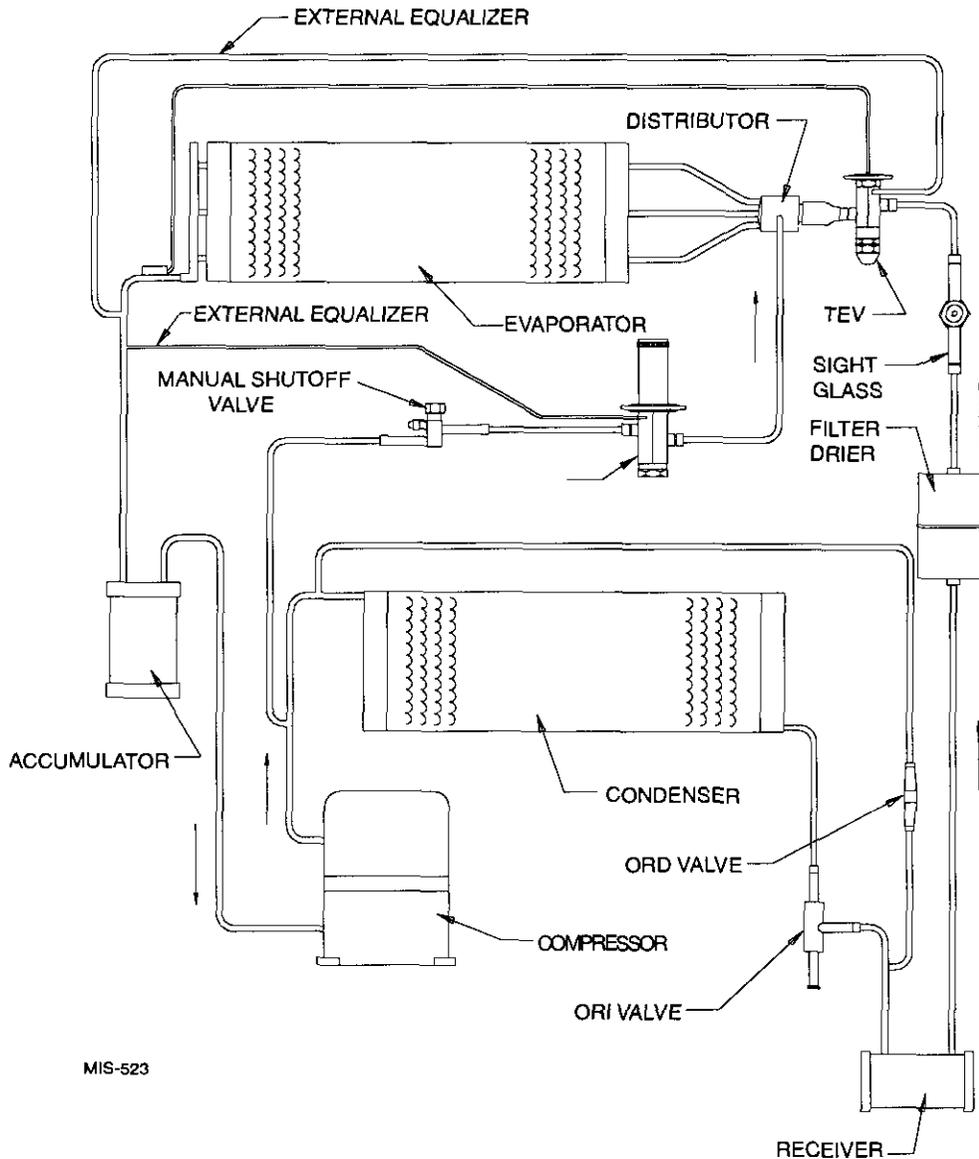
When "refrigerant side" head pressure control is utilized on a system, two additional considerations must be completely analyzed. First of all, there must be the correct amount of refrigerant to flood the condenser at the lowest expected ambient and still have enough charge in the system for proper operation. A shortage of refrigerant will cause hot gas to enter the liquid line and the expansion valve, and *refrigeration will cease*. A system short on charge can mimic an inoperative TXV. Too much charge doesn't cause any operating difficulties during the low ambient season; however, this will cause high head pressures during the summer season when head pressure control is not required.

Secondly, the receiver must have sufficient capacity to hold all of the liquid refrigerant in the system, since it will be returned to the receiver when high ambient conditions prevail. If the receiver is too small, liquid

refrigerant will be held back in the condense during the high ambient conditions and excessively high discharge pressure will be experienced.

The receiver has been sized to hold the necessary amount of refrigerant required during light load conditions to the head pressure control system can function properly, and also to accommodate the surplus charge that occurs under periods of normal loading at the warmer outdoor temperatures. Any erratic operating during light load conditions either inside or outside could be attributed to undercharge of refrigerant even though the unit may operate normally at higher temperatures. Because of the complexity of the system design and operation, the only way to assure correct system charge and operating characteristics over the entire design operating range of the unit is to completely recharge the system with the total amount of R-22 shown on the unit serial plate after proper leak test, and evacuation procedures have been followed.

FIGURE 7



MIS-523

TROUBLESHOOTING GUIDE

Troubleshooting the refrigerant system can be quite complicated because of the number of refrigerant valves in the system. There are two devices installed in the system to aid in this process:

1. A liquid line sight glass is located directly above the filter-drier. If a solid column of refrigerant is not present during normal operation, an undercharge or defective pressure differential valve should be suspected.
2. A manual shutoff valve is installed in the feed line from the discharge line to the hot gas bypass valve. This valve is normally open but can be closed down by service personnel to help in evaluating system operation should it be necessary.

Please refer to Figure 9 on Page 8, refrigerant system Troubleshooting Guide, for complete details.

REFRIGERANT PIPING AND FLOW DIAGRAM

Earlier in this manual Figure 2 reviewed the components used in System Capacity Control and Figure 5 those used for Head Pressure Control. Please refer to Figure 7 for complete piping diagram including System Capacity and Head Pressure Control.

TYPICAL CONTROL CIRCUIT WIRING

The air conditioning portion of the system is designed for continuous run type of operation for those types of installations that require cooling operation without

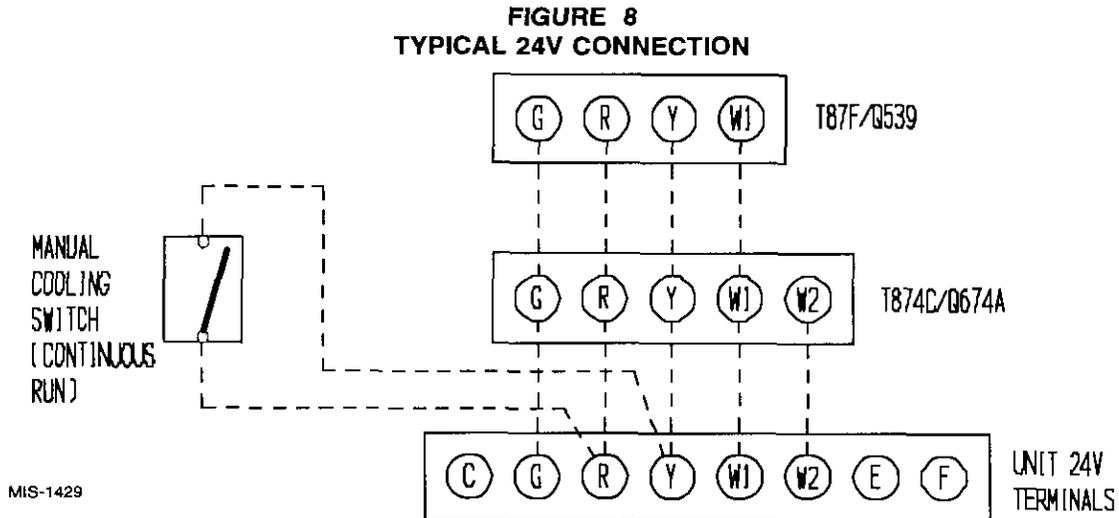
cycling of the compressor during critical periods (see earlier discussion titled "System Capacity Control").

Many systems may also employ electric heaters for certain conditions that may necessitate heating rather than cooling operation.

The control of the space temperature is dependent upon several variables such as basic size of the air conditioner; structure design, internal heat generation from people, lights and equipment; and external weather conditions.

A generally recommended control circuit would consist of conventional heat/cool wall thermostat with an additional SPST toggle switch used to provide a manual cooling switch (continuous run type of operation). This would allow the flexibility of having the wall thermostat cycle the compressor during noncritical periods, and when the manual cooling switch is thrown (closed) the compressor would run all of the time. A secondary feature of this type of setup is that the manual cooling switch can be activated, and at the same time the wall thermostat can be set for heating and the thermostat adjusted to the desired temperature. This would allow the electrical heater to cycle on demand to help regulate the space temperature. This type of operation may prove helpful if the basic air conditioner is way oversized or there are temporary conditions when a major portion of the heat producing equipment within the building is shut down for some reason.

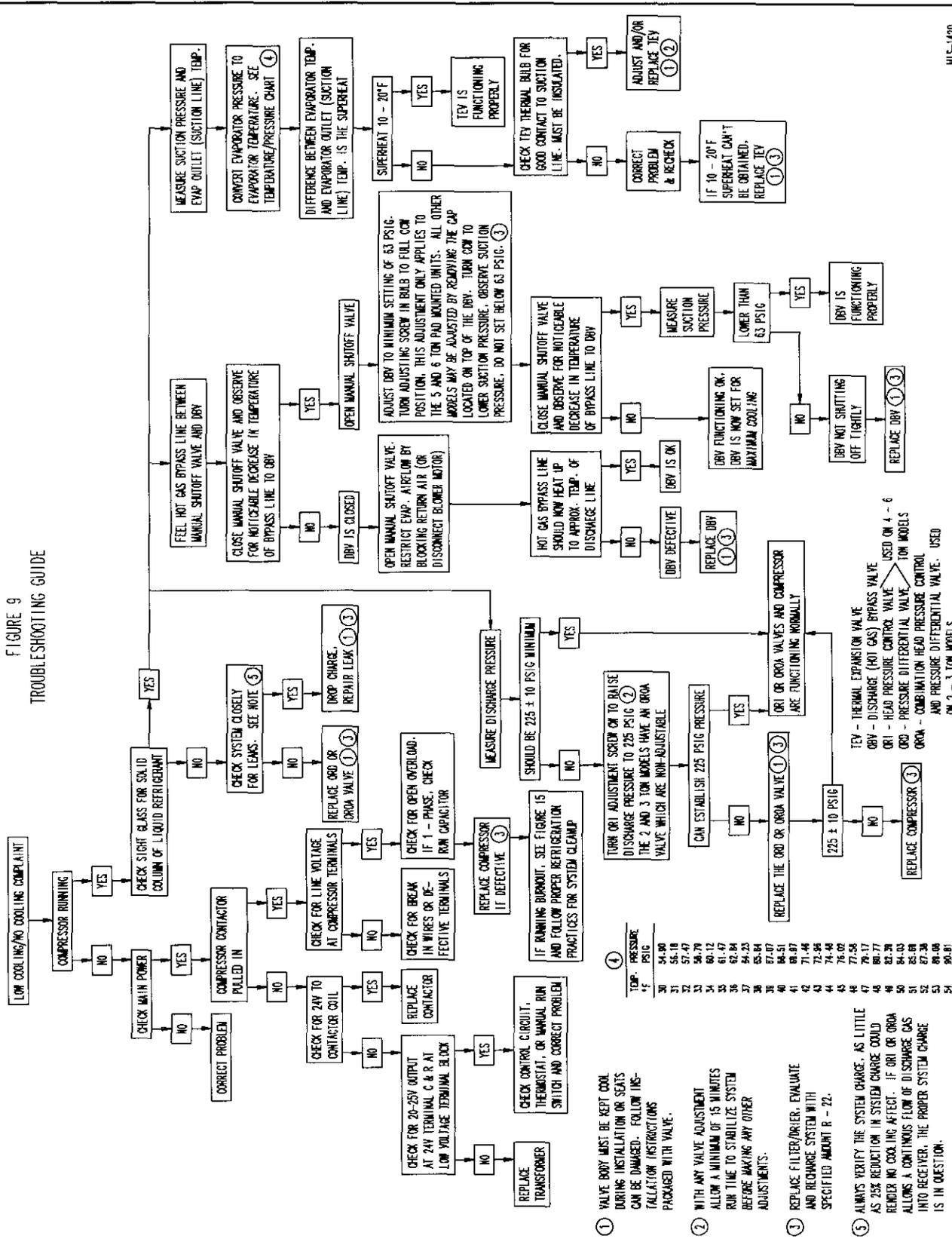
IMPORTANT: The wire and fuse size information shown on the rating plate is not based upon this dual type of operation. Please consult factory for specifics should you choose to do this.



CAUTION

See the "IMPORTANT" statement under Typical Control Circuit Wiring before connecting for simultaneous heating and cooling operation.

FIGURE 9
TROUBLESHOOTING GUIDE



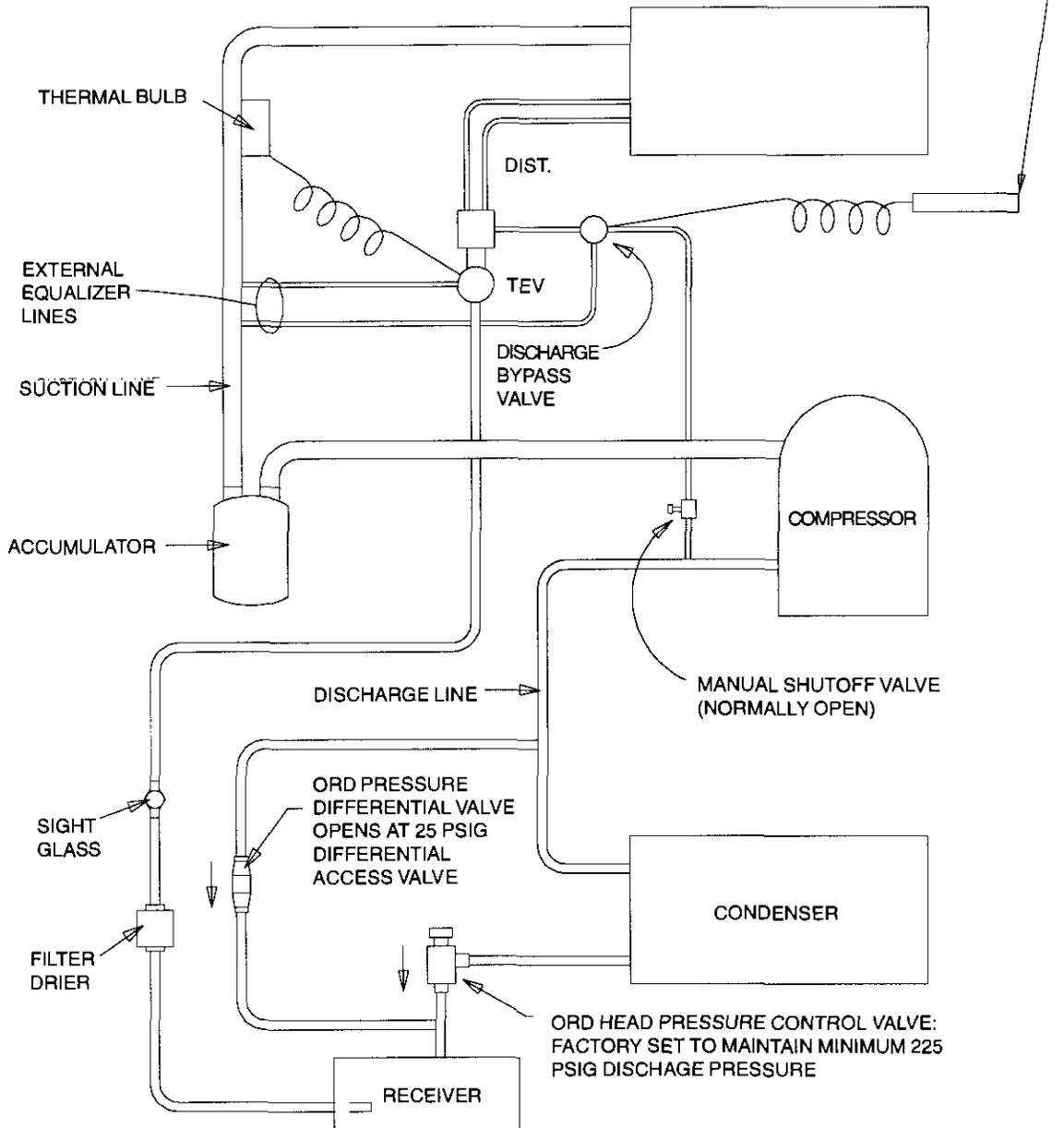
4

TEMP. °F	PRESSURE PSIG
30	54.90
31	56.18
32	57.47
33	58.79
34	60.12
35	61.47
36	62.84
37	64.23
38	65.64
39	67.07
40	68.51
41	69.97
42	71.46
43	72.96
44	74.48
45	76.02
46	77.58
47	79.17
48	80.77
49	82.38
50	84.03
51	85.69
52	87.38
53	89.08
54	90.81

- 1 VALVE BODY MUST BE KEPT COOL DURING INSTALLATION OR SEALS CAN BE DAMAGED. FOLLOW INSTALLATION INSTRUCTIONS PACKAGED WITH VALVE.
- 2 WITH ANY VALVE ADJUSTMENT ALLOW A MINIMUM OF 15 MINUTES RUN TIME TO STABILIZE SYSTEM BEFORE MAKING ANY OTHER ADJUSTMENTS.
- 3 REPLACE FILTER/DRIER, EVALUATE AND RECHARGE SYSTEM WITH SPECIFIED AMOUNT R - 22.
- 5 ALWAYS VERIFY THE SYSTEM CHARGE. AS LITTLE AS 25% REDUCTION IN SYSTEM CHARGE COULD RENDER NO COOLING EFFECT. IF ORI OR ORCA ALLOWS A CONTINUOUS FLOW OF DISCHARGE GAS INTO RECEIVER, THE PROPER SYSTEM CHARGE IS IN QUESTION.

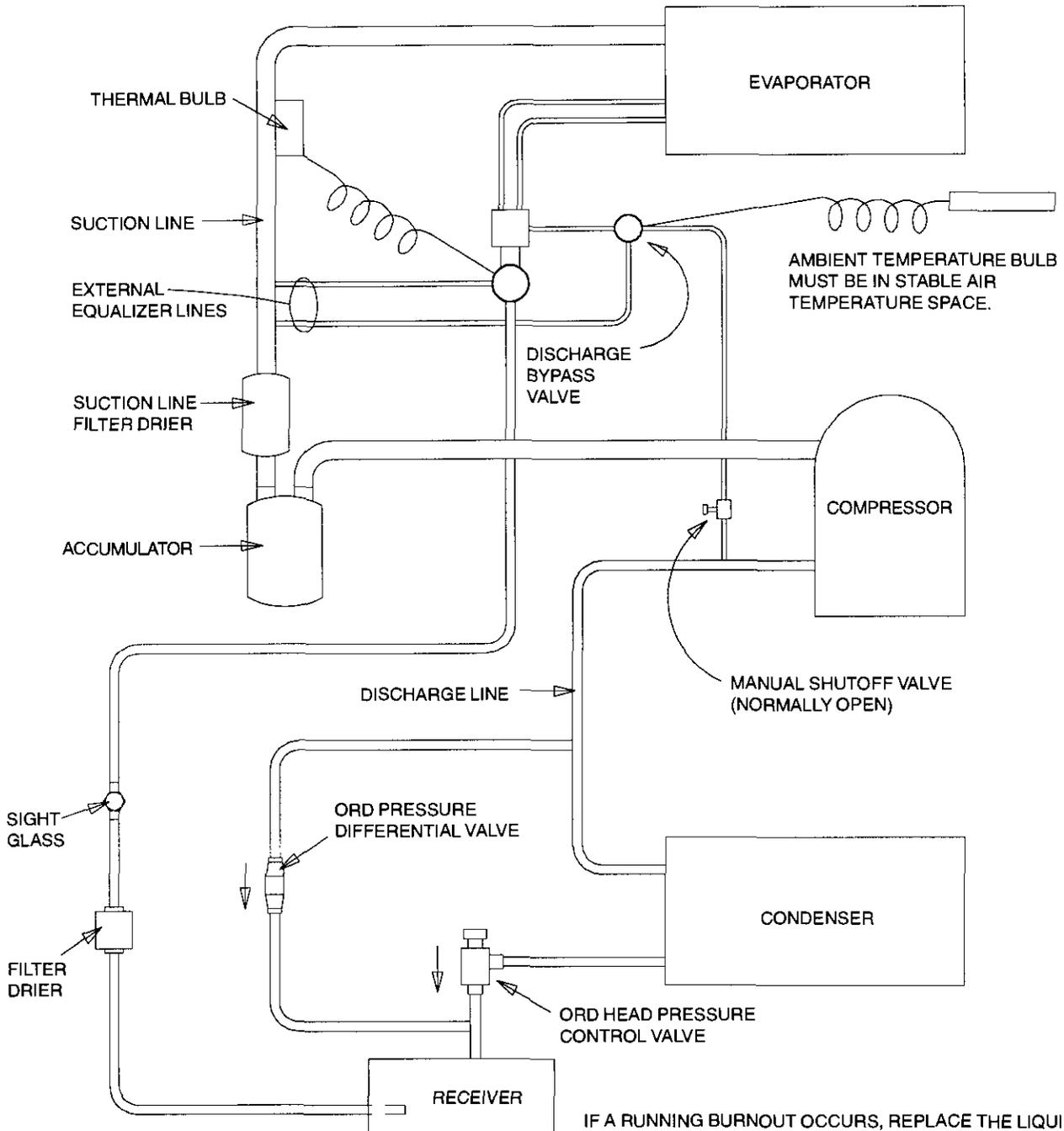
FIGURE 10
HOT GAS BYPASS SYSTEM
TYPICAL PIPING DIAGRAM

ADJUSTMENT SCREW IS LOCATED IN THE END OF THE BULB, TURN CLOCKWISE FOR HIGHER EVAPORATOR TEMPERATURE, COUNTERCLOCKWISE FOR LOWER TEMPERATURE.



MIS-100

FIGURE 11
HOT GAS BYPASS SYSTEM
COMPRESSOR BURNOUT CLEANUP PROCEDURE



IF A RUNNING BURNOUT OCCURS, REPLACE THE LIQUID LINE FILTER DRIER AND ACCUMULATOR AND INSTALL A SUCTION LINE FILTER DRIER. CLEAN OR REPLACE THE HOT GAS BYPASS VALVE, TEV, ORD DIFFERENTIAL VALVE, ORI CONTROL VALVE, DISCHARGE, LIQUID, AND HOT GAS TUBING. THE ORI AND ORD VALVES HAVE MESH SCREEN THAT MUST BE CLEANED.