

# **INSTALLATION INSTRUCTIONS**

**BC35B AND BC36B**

**INDOOR BLOWER COIL UNIT**

**FOR USE WITH  
SPLIT HEAT PUMP AND  
SPLIT AIR CONDITIONER SYSTEMS**

## INDEX

General . . . . .	5
Unpacking . . . . .	5
Sizing . . . . .	5
Mounting Positions . . . . .	5
Ductwork . . . . .	6
Filter . . . . .	6
Location and Clearances . . . . .	6
Condensate Drain . . . . .	7
Expansion Device (BC36B Only) . . . . .	7
Caution When Using 5780 Series Couplings . . . . .	8
Interconnecting Tubing . . . . .	9
Thermostat Low-Voltage Wiring . . . . .	9
Two Speed Blower Motor . . . . .	10
Blower Motor Oilers . . . . .	10
Unit Operation . . . . .	11
Air Conditioning With Electric Heat . . . . .	11
Heat Pump With Electric Heat . . . . .	11
Wall Thermostats . . . . .	12

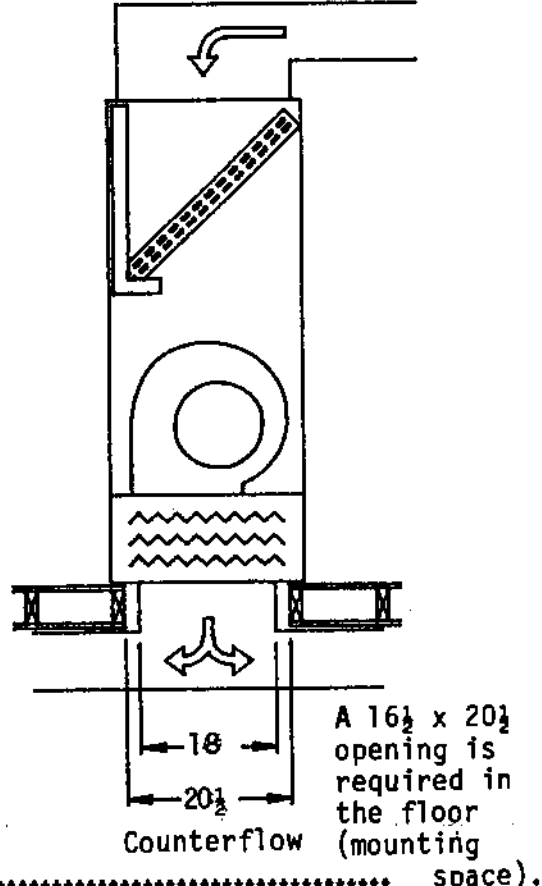
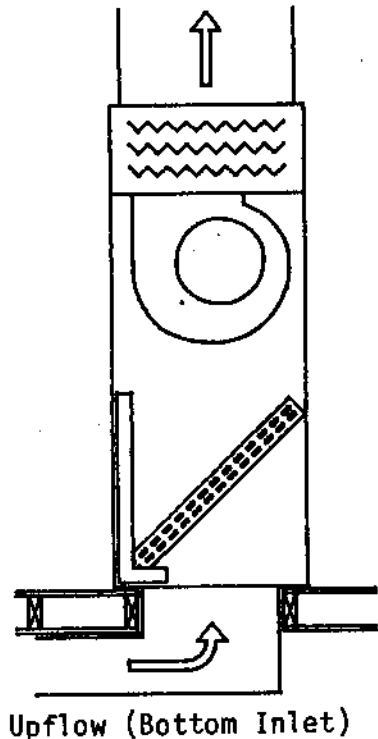
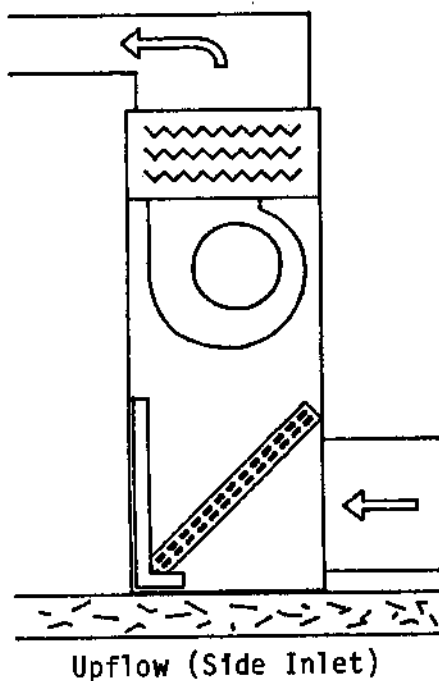
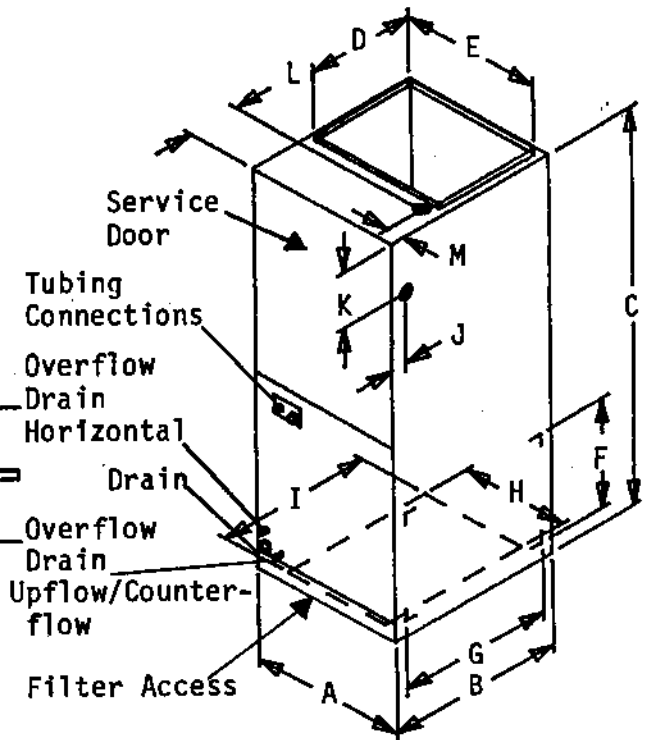
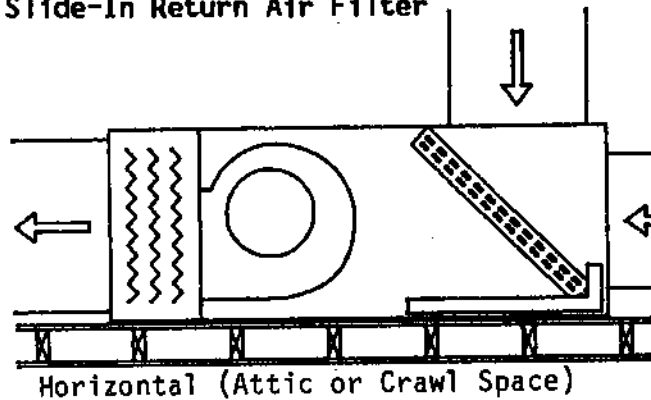
## INDEX OF FIGURES AND TABLES

Figure 1	1
Figure 2	6
Figure 3	8
Figure 4	8
Table 1	2
Table 2	3
Table 3	4
Table 4	4
Table 5	4
Table 6	4
Table 7	5
Table 8	10
Table 9	10
Table 10	11
Table 11	11
Table 12	11
Table 13	12

FIGURE 1

BC35B AND BC36B SERIES

Upflow - Counterflow - Horizontal  
 2 Speed Direct Drive Motor  
 Slide-In Return Air Filter



\*\*\*\*\*  
**WARNING:** Failure to provide the one inch clearance for the first four feet between the supply duct and a combustable surface can result in fire.  
 \*\*\*\*\*

Model	Cabinet Size			Supply Outlet		Side Return Air Opening		Bottom Return Air Opening		Electrical Opening Right Side		Electrical Opening Top	
	A	B	C	D	E	F	G	H	I	J	K	L	M
BC35B & BC36B	20	23	51	14	18	14	20	16	19	2	7-1/4	6-11/16	2-1/4

TABLE 1  
 APPROVED MATCHED COMBINATIONS, RATED CFM, E.S.P., ORIFICE  
 PART NUMBER AND DIAMETER

Condensing Unit Model Number	Blower Coil Model Number	Rated Airflow 60 HZ		Recommended Air Flow Range	Orifice Part Number	Orifice Diameter
		CFM	ESP			
30UHPQA	BC35B	975	.55	825 - 1075	N/A	N/A
	BC36B	1050	.35	900 - 1150	5625-067 (2)	.067
36UHPQA	BC35B	1125	.35	950 - 1240	N/A	N/A
	BC36B	1200	.30	1020 - 1320	5625-072 (1)	.072
30HPQ6	BC35B	1060	.35	910 - 1160	N/A	N/A
	BC36B	1050	.35	900 - 1150	5625-061 (2)	.061
36HPQ7	BC35B	1240	.20	1060 - 1360	N/A	N/A
	BC36B	1200	.30	1020 - 1320	5625-063 (2)	.063
30UACQA	BC35B	1025	.40	875 - 1125	N/A	N/A
	BC36B	1050	.35	900 - 1150	5625-063 (2)	.063
36UACQA	BC35B	1200	.30	1020 - 1320	N/A	N/A
	BC36B	1200	.30	1020 - 1320	5625-072 (1)	.072
42UACQA	BC36B	1200	.30	1020 - 1320	5625-078 (2)	.078
30ECQ4	BC35B	1050	.50	900 - 1150	N/A	N/A
31ECQ2	BC35B	1000	.55	850 - 1100	N/A	N/A
36ECQ5	BC35B	1275	.40	1095 - 1395	N/A	N/A
37ECQ1	BC35B	1200	.50	1020 - 1320	N/A	N/A

(1) This orifice is shipped installed in the blower coil. When this combination of condensing unit and blower coil is used, the orifice is properly sized.

(2) This orifice is not installed in the blower coil. Proper orifice diameter is shipped with outdoor unit packaged with its installation instructions. The orifice must be replaced with the proper orifice shown.

**TABLE 2**  
**MAXIMUM E.S.P. OPERATION INFORMATION ① BC35B, BC36B**

Type Of Application	Upflow		② Counterflow		Horizontal	
	Blower Speed		Blower Speed		Blower Speed	
	Low	High	Low	High	Low	High
Heat Pump w/18KW	.30	.45	③	③	.20	.40
Heat Pump w/14KW	.40	.55	③	③	.35	.50
Heat Pump w/9KW	.60	.60	.40	.50	.50	.55
Heat Pump w/5KW	.60	.60	.60	.60	.55	.60
Heat Pump Only	.60	.60	.60	.60	.60	.60
18KW Only	.60	.60	.60	.60	.60	.60
14KW Only	.60	.60	.60	.60	.60	.60
9KW Only	.60	.60	.60	.60	.60	.60
5KW Only	.60	.60	.60	.60	.60	.60

① Values shown are for bottom and side return air opening.

② Side inlet not available on counterflow applications.

③ 18KW and 14KW not approved in counterflow position when used with heat pump heating.

NOTE: 9kw is the maximum electric heat approved for 50 HZ applications.

TABLE 3  
INDOOR BLOWER COIL PERFORMANCE (DRY COIL @ 230 VOLTS 60 HZ (3) ①)

Model	KW	Speed	Position	IN H2O						
				.00	.10	.20	.30	.40	.50	.60
BC35B	0	Hi	Upflow/horizontal	1400	1355	1292	1229	1163	1093	942
BC35B	0	Low	Upflow/horizontal	1213	1180	1141	1090	1037	956	760
BC35B	5	Hi	Upflow/horizontal	1385	1340	1277	1214	1148	1078	927
BC35B	5	Low	Upflow/horizontal	1198	1165	1126	1075	1022	941	745
BC35B	9	Hi	Upflow/horizontal	1370	1325	1262	1199	1133	1063	912
BC35B	9	Low	Upflow/horizontal	1183	1150	1111	1060	1007	926	730
BC35B	14	Hi	Upflow/horizontal	1355	1310	1247	1184	1118	1048	897
BC35B	14	Low	Upflow/horizontal	1168	1135	1096	1045	992	911	715
BC35B	18	Hi	Upflow/horizontal	1340	1295	1232	1169	1103	1033	882
BC35B	18	Low	Upflow/horizontal	1153	1120	1081	1030	977	896	700

TABLE 4  
INDOOR BLOWER COIL PERFORMANCE (DRY COIL @ 230 VOLTS 60 HZ (3) ②)

Model	KW	Speed	Position	IN H2O						
				.00	.10	.20	.30	.40	.50	.60
BC35B	0	Hi	Counterflow	1360	1290	1223	1152	1092	922	743
BC35B	0	Low	Counterflow	1216	1159	1109	1052	933	772	652
BC35B	5	Hi	Counterflow	1345	1275	1208	1137	1077	907	728
BC35B	5	Low	Counterflow	1201	1144	1094	1037	918	757	637
BC35B	9	Hi	Counterflow	1330	1260	1199	1122	1062	892	713
BC35B	9	Low	Counterflow	1186	1129	1079	1022	903	742	622
BC35B	14	Hi	Counterflow	1315	1245	1178	1107	1047	877	698
BC35B	14	Low	Counterflow	1171	1114	1064	1007	888	727	607
BC35B	18	Hi	Counterflow	1300	1230	1163	1092	1032	862	683
BC35B	18	Low	Counterflow	1156	1099	1049	992	873	712	592

TABLE 5  
INDOOR BLOWER COIL PERFORMANCE (DRY COIL @ 230 VOLTS 60 HZ (3) ①)

Model	KW	Speed	Position	IN H2O						
				.00	.10	.20	.30	.40	.50	.60
BC36B	0	Hi	Upflow/horizontal	1348	1297	1230	1174	1110	1009	883
BC36B	0	Low	Upflow/horizontal	1169	1135	1090	1042	987	853	707
BC36B	5	Hi	Upflow/horizontal	1333	1282	1215	1159	1095	994	868
BC36B	5	Low	Upflow/horizontal	1154	1120	1075	1027	972	838	692
BC36B	9	Hi	Upflow/horizontal	1314	1258	1195	1142	1080	974	853
BC36B	9	Low	Upflow/horizontal	1139	1105	1060	1012	957	823	677
BC36B	14	Hi	Upflow/horizontal	1303	1248	1185	1129	1065	964	838
BC36B	14	Low	Upflow/horizontal	1124	1090	1045	997	942	808	662
BC36B	18	Hi	Upflow/horizontal	1293	1238	1170	1114	1052	952	823
BC36B	18	Low	Upflow/horizontal	1109	1075	1030	982	927	799	647

TABLE 6  
INDOOR BLOWER COIL PERFORMANCE (DRY COIL @ 230 VOLTS 60 HZ (3) ②)

Model	KW	Speed	Position	IN H2O						
				.00	.10	.20	.30	.40	.50	.60
BC36B	0	Hi	Counterflow	1305	1243	1173	1120	986	862	702
BC36B	0	Low	Counterflow	1203	1135	1085	1004	897	764	649
BC36B	5	Hi	Counterflow	1290	1228	1158	1105	971	847	687
BC36B	5	Low	Counterflow	1188	1120	1070	989	882	749	634
BC36B	9	Hi	Counterflow	1275	1219	1143	1090	956	832	672
BC36B	9	Low	Counterflow	1173	1105	1055	974	867	734	619
BC36B	14	Hi	Counterflow	1260	1198	1128	1075	941	817	657
BC36B	14	Low	Counterflow	1158	1090	1040	959	852	719	604
BC36B	18	Hi	Counterflow	1245	1183	1113	1060	926	802	642
BC36B	18	Low	Counterflow	1143	1075	1025	944	837	704	589

① Values shown are standard for both bottom and side return air opening.

② Values shown are standard for bottom return air opening, side return air opening not available for counterflow.

③ Reduce airflow values shown by 130 CFM for 208 volt operation.

NOTE: For 50 HZ applications, reduce CFM's by 17%.

## GENERAL

Units are shipped completely assembled and internally wired, requiring only duct connections, thermostat wiring and external 208-240 volt AC power supply.

The BC35B and BC36B blower coil units, with various KW electric heat options are suitable for use with the following air conditioner and heat pump outdoor sections. It can be used both as an air conditioning system with electric heat and as a heat pump with electric heat. Refer to sections titled, "AIR CONDITIONING WITH ELECTRIC HEAT and HEAT PUMP WITH ELECTRIC HEAT" for complete information.

TABLE 7  
APPROVED COMBINATIONS

Air Conditioning		Heat Pump	
<u>Outdoor Section</u>	<u>Indoor Section</u>	<u>Outdoor Section</u>	<u>Indoor Section</u>
30BCQ4	BC35B	30HPQ6	BC35B & BC36B
31BCQ2	BC35B	36HPQ7	BC35B & BC36B
36BCQ5	BC35B	30UHPQA	BC35B & BC36B
37BCQ1	BC35B	36UHPQA	BC35B & BC36B
30UACQA	BC35B & BC36B		
36UACQA	BC35B & BC36B		
36UACQA-B	BC35B & BC36B		
42UACSA	BC36B		
42UACSA-B	BC36B		

## UNPACKING

Upon receipt of equipment, carton should be checked for external signs of damage. If damage is found, request for inspection by carrier's agent should be made in writing immediately.

## SIZING

Size of unit for a proposed installation should be based on heat loss calculation made according to methods of Air Conditioning Contractors of America. The air duct should be installed in accordance with the Standards of the National Fire Protection Association for the Installation of Air Conditioning and Ventilating Systems of Other Than Residence Type, NFPA No. 90A, and Residence Type Warm Air Heating and Air Conditioning System, NFPA No. 90B. Where local regulations are at a variance with instructions, installer should adhere to local codes.

## MOUNTING POSITIONS

The BC35B and BC36B can be installed in three positions with respect to airflow direction: Upflow, horizontal and downflow. The general intent of these mounting positions is shown on the cover page of this installation manual. Capacity and efficiency ratings are certified in the vertical installation position. Capacity may be reduced slightly for other installation positions.

The unit is shipped with the coil installed for upflow or horizontal position. It is secured in place by four screws, two on the top left support angles and two on the top right support angles. To convert to counterflow position, remove front access panel, remove the four screws securing coil pan assembly and remove coil.

Place cabinet in desired mounting position, and reinstall coil as shown on cover page. Make sure the coil is installed as shown with respect to blower.

**IMPORTANT:** The unit as received has coil installed for upflow/horizontal position only. It must be rotated 180 degrees for downflow positions. See note under "Condensate Drain."



## DUCTWORK

Design the ductwork according to methods given by the Air Conditioning Contractors of America. When duct runs through unheated spaces, it should be insulated with a minimum of two inches of insulation. Use insulation with a vapor barrier on the outside of the insulation. Flexible joints should be used to connect the ductwork to the equipment in order to keep the noise transmission to a minimum.

## FILTER

These units come equipped with a 16" x 20" x 1" thick disposable fiberglass filter and must not be operated without a filter in place. Filter access is gained by removing an angle piece located at the bottom of the main unit cabinet (as viewed in upflow position).

The filter should be replaced periodically throughout the year, as these are year-round heat-cool systems. Special attention should be given to filter cleanliness on any new installation, as airborne dust and debris from recent construction can easily plug a filter in a matter of days.

Dirty filters are the most prevalent and most easily corrected problem to be encountered in any forced air heating and/or cooling system.

## LOCATION AND CLEARANCES

All access to the equipment is from one side, and at least 24 inches should be provided from this side for service access.

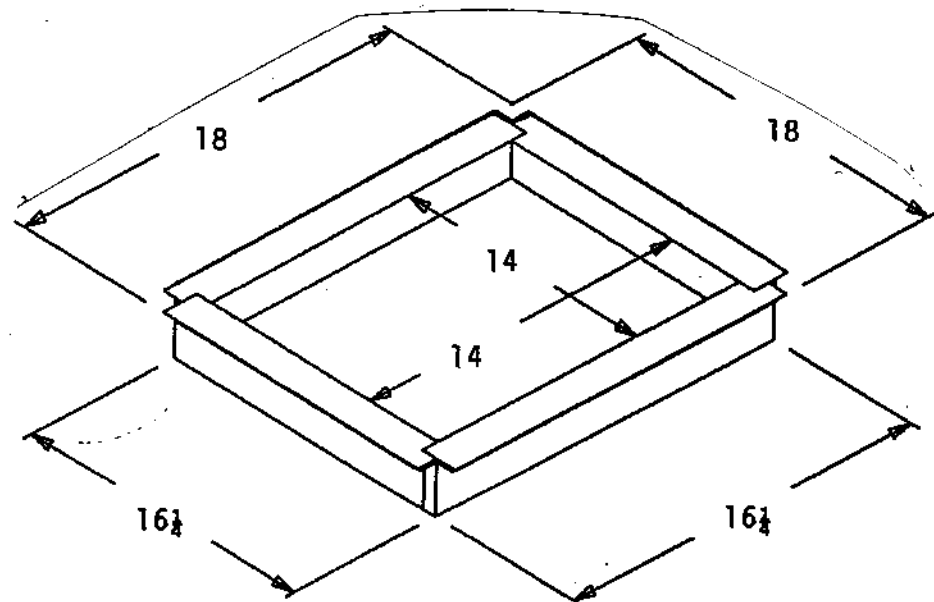
Unit casing is suitable for 0 inch clearance. The first four (4) feet of ductwork attached to the outlet (supply air) connections of the unit are to have a minimum of one inch clearance, with 0 inch clearance for any remaining ductwork.

FIGURE 2

A CFB35 combustible floor base is required for downflow installations to assure a 1" clearance from combustible materials to the outlet plenum (duct).

A 16-1/2 x 20-1/2 opening is required in the floor (mounting surface). See illustrations.

The CFB35 combustible floor base must be ordered separately. It is not included as part of the basic unit.



\*\*\*\*\*  
**WARNING:** Failure to provide the one inch clearance for the first four feet between the supply duct and a combustible surface can result in fire.  
\*\*\*\*\*

## CONDENSATE DRAIN

Determine where the drain line will run. This drain line contains cold water and must be insulated to avoid drops of water from dropping on ceiling, etc. A trap must be installed in the primary drain line below the bottom of the drain pan.

For horizontal installations with auxiliary drain pan, a separate drain line should be run from the auxiliary drain pan and terminated where the homeowner can see it. Be certain to show the homeowner the location of the drain line and to explain its purpose. In the event of overflow of primary drain, water will collect in auxiliary pan and run out through the auxiliary drain line.

It is not recommended that any condensate drain lines be connected to sewer main. Drain lines must be installed in accordance with local codes.

When installed horizontal in an attic installation, a platform should be made for the unit to sit on. This platform can be made from 3/4 inch plywood or boards. An auxiliary drain pan should always be used when equipment is installed over a finished living area, to provide protection from water damage in case of plugging of the primary drain line from the unit condensate collection pan.

Secure 4 pieces of cork or live rubber, 4" x 4", of sufficient thickness to allow primary drain to clear edge of auxiliary drain pan, under each corner of the unit.

**NOTE:** There are two 3/8" copper tubes brazed through the coil drain pan approximately 2 inches from the 3/4 inch main drain pipe coupling. These are overflow drains to control the point at which water would exit the drain pan in the event the primary drain becomes plugged. When ever the coil assembly is removed and reinstalled, make sure the 3/8" drain overflow tubes extend slightly beyond the coil door when in place.

## EXPANSION DEVICE (BC36B Only)

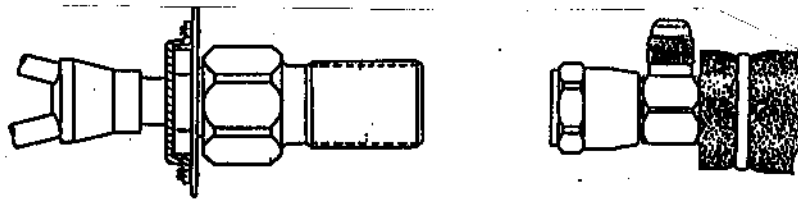
The flow control orifice provides the function of the expansion device as well as distributes the refrigerant equally to all evaporator circuits. It features a "take apart" brass body which houses a removable piston-orifice assembly which meters the proper amount of refrigerant flow and serves as the expansion device. This orifice can be removed and replaced.

The orifice shipped installed with the Flow Control and coil is sized for the most popular evaporator to outdoor unit combination (size to size). Example: Outdoor unit 36UHPQA with BC36B indoor coil. For other combinations of indoor coil to outdoor unit application, the orifice in the flow control device **MUST** be changed to the size shown in the chart on Table 1. An additional proper sized orifice to be used with each outdoor unit is shipped packaged in the envelop with the installation instructions, with each outdoor unit. The installer should mark the size of the orifice installed on the rating plate of the indoor coil. The diameter of the orifice is stamped on the side of the brass orifice and plastic bag. Example: 063 indicates the orifice is .063" inside diameter.

**CAUTION:** Be sure there is no dirt introduced into the distributor--orifice assembly. Be sure and install the orifice with the bullet nose pointing in the proper direction as shown in Figure 4. Failure to do so will result in improper operation.

**NOTE:** If the orifice does not have to be changed, skip the instructions outlined further in Figure 3 and proceed to Figures 4 as applicable.

**FIGURE 3  
FLOW CONTROL ASSEMBLY  
FIELD RESTRICTOR REPLACEMENT INSTRUCTIONS**



**NOTE:** DO NOT CONNECT LINE SETS! If restrictor needs to be changed, change out restrictor first.

**STEP 1** Remove charge/pressure from indoor unit (if necessary--coupling style).

**STEP 2** Disassembly Flow Control Assembly by turning body hex.

**STEP 4** If existing restrictor has not dropped out of the body when disassembled, remove by using a pin or paper clip. Discard this original restrictor.

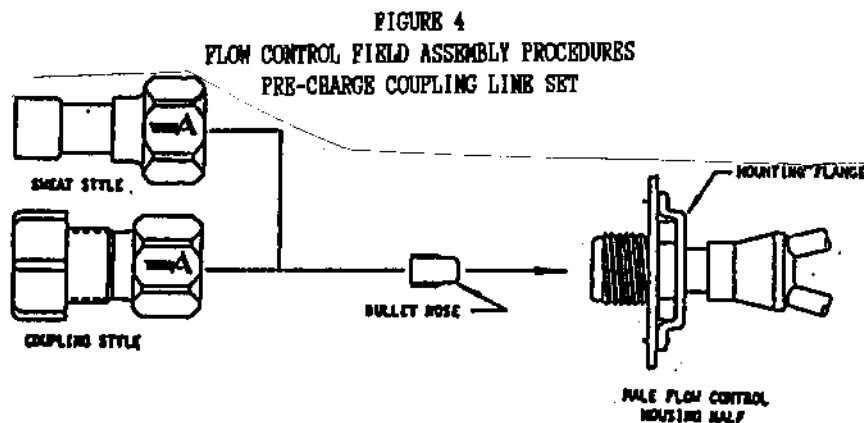
**STEP 5** Thread assembly halves together by hand to insure proper mating of threads and tighten until bodies "bottom" or a definite resistance is felt.

**STEP 6** Using a marker pen or ink pen, mark a line lengthwise from the union nut to the bulkhead. Then tighten an additional 1/6 turn ( or 1 hex flat). The misalignment of the line will show the amount the assembly has been tightened. This final 1/6 turn is necessary to insure the formulation of the leakproof joint.

**STEP 7** Complete piping and installation of unit per installation instructions. Figure 4 for detailed assembly instructions for coupling type coils.

**CAUTION WHEN USING 5780 SERIES COUPLINGS**

If coupling is every disconnected, the Flow Control Assembly connection may also be loosened. If this should occur, care must be taken to avoid loss of the restrictor. If loosened, repeat Step 5 above to insure the reformation of leakproof joint.



**STEP 8** Route the suction and liquid line between the indoor and outdoor unit. **CAUTION:** Do not connect the tubing to the outdoor unit yet.

**STEP 9** Remove protector caps and plugs.

- STEP 10** If necessary, carefully wipe coupling seats and threaded surfaces with a clean cloth to prevent the inclusion of dirt or any foreign material in the system.
- STEP 11** LUBRICATE male half diaphragm and synthetic rubber seal with refrigerant oil. Thread coupling halves together by hand to insure proper mating of threads. Use proper size wrenches (on line set coupling body hex and on union nut) and tighten until coupling bodies "bottom" or a definite resistance is felt.
- STEP 12** Using a marker or ink pen, mark a line lengthwise from the coupling union nut to the bulkhead. Then tighten an additional 1/4 turn; the misalignment of the line will show the amount the coupling has been tightened. This final 1/4 turn is necessary to insure the formation of leakproof joint. If a torque wrench is used, torque values recommends 10 to 12 foot pounds.
- STEP 13** Evacuate the lines and indoor unit before connecting to the outdoor unit. Refer to the installation instructions packed with the outdoor unit for details on setting the proper refrigerant charge. **NOTE:** The lines and indoor coil do not have to be evacuated if they were not opened to the atmosphere to change the orifice.

### INTERCONNECTING TUBING

It is recommended that the interconnecting tubing be the CT series charged tubing sets. This is a precharged tubing set with an insulated suction line. Both suction and liquid line are equipped with the correct quick connect fittings for proper match-up to the indoor and outdoor sections. The CT series is available in standard tubing lengths of 15, 25, 35 and 45 feet.

**NOTE:** Applicable installation codes may limit installation to single story structure only if return air duct is not used.

### THERMISTAT LOW-VOLTAGE WIRING

A 24V terminal block is mounted on the inside of the unit. There is also a 24V terminal block located in the outdoor section of remote heat pumps and two tagged 24V wires in the outdoor section of remote air conditioners. Wire sizing is determined from the table below for 24V control circuit wiring.

<u>Transformer VA</u>	<u>FLA @ 240V</u>	<u>Maximum Distance in Feet</u> ①
55	2.3	20 gauge - 45 18 gauge - 60 16 gauge - 100 14 gauge - 160 12 gauge - 250

- ① For split systems, this is the maximum distance between the indoor section and outdoor section, and between the indoor section and thermostat each could be up to 90 feet for 18 gauge and 65 feet for 20 gauge on 40VA transformer. With a 65VA transformer and 20 gauge wire, the maximum distance is 40 feet.

Specific control circuit wiring diagrams for the various applications are referenced in the sections titled "AIR CONDITIONING WITH ELECTRIC HEAT and HEAT PUMP WITH ELECTRIC HEAT." These diagrams detail the recommended controls and wiring to allow the best possible operation of the different types of systems with respect to energy conservation while still maintaining close comfort levels for the occupant.

## TWO SPEED BLOWER MOTOR

The BC35B and BC36B both have a two speed, 1/3 hp blower motor.

Motor lead wire identification is as follows:

Common	Yellow
High	Black
Low	Red
Capacitor	Brown (2)

Both models are shipped wired on high speed. The unused red (low speed) lead wire is taped off. If low speed operation is desired, remove and tape black wire from terminal com. on blower relay and connect red wire to terminal com. Refer to wiring diagrams for electrical circuitry and to airflow charts for capabilities and limitations on blower speeds, static pressures and air delivery versus installed KW heaters.

## BLOWER MOTOR OILERS

The blower motors should be oiled twice a year with approximately 8 - 10 drops of 20 weight motor oil. DO NOT over oil and DO NOT use 3-in-1 oil or any other light oil.

**IMPORTANT NOTE FOR DOWNFLOW INSTALLATION:** Loosen belly-band bolt securing motor enough to rotate motor so oilers are above either 3 or 9 o'clock position so oilers do not drain and to permit reoiling.

TABLE 8

Model	BC35B	BC36B
Electrical Rating--60HZ --50HZ	240/208V 1ph 240/220V 1ph	240/208V 1ph 240/220V 1ph
Operating Voltage Range	197-253	197-253
Fusing and Ampacity	See Electric Heat Table	
Blower and Motor	10x9 Direct	10x9 Direct
Motor--RPM/Speed	1075/2 Speed	1075/2 Speed
Motor--HP/AMPS	1/3 / 2.1	1/3 / 2.1
Evaporator Face Area Sq. Ft./Row/Pins Per Inch	3/3/14	3.12/3/10
Filter--Perm. or Throwaway	16x20x1 T	16x20x1 T
Refrigerant Cont./R22 Charge	Capillary Tube	Changeable Orifice
Maximum Electric Heat	18KW	18KW

TABLE 9  
OPTIONAL FIELD-INSTALLED ELECTRIC HEATER TABLE

Heater Package Model No.	Heater Package Volts/Phase	Htr. KW + Capacity @240 Volts		Htr. KW + Capacity @208 Volts		Heater Amps @240/208 Volts	Max. ③ Overcurrnt Protective Device	Number Field Circuits ③	Minimum Circuit Ampacity ③	Field Wire Size ④	Ground Wire Size ⑤
		KW	BTU	KW	BTU						
None	---	---	---	---	---	---	15	1	15	14	14
EH3BA-A05N,C	240/208-1	4.5	15345	3.38	11525	18.8/16.3	30	1	28.1	10	10
EH3BA-A09N,C	240/208-1	9	30690	6.75	23018	37.5/32.5	50	1	51.4	6	10
EH3BA-A14N,C	240/208-1	13.5	46035	10.13	34543	56.3/48.7	80	1	74.9	3	8
EH3BA-A18N,C	240/208-1	18	61380	13.5	46035	75/64.9	100	1	98.3	1	8

③ Includes blower motor

④ Suggested size based on use of 60 degree C wiring material for ampacities less than 100A.

⑤ Based upon table 250-95 degree F 1987 N.E.C.

NOTE: 9kw is the maximum electric heat approved for 50HZ applications.

## UNIT OPERATION

The controls in the BC35B and BC36B provide for manual/auto fan control in addition to the staging of the installed electric heat. Staging is accomplished in basic 9KW increments, that is, each two (2) heating elements are controlled by one heat relay.

TABLE 10  
HEATER ELEMENT STAGING

Heater KW	Stages
5, 9	1
14, 18	2

Heater stage designations are as follows on the 24V terminal strip:

W2	1st stage
W3	2nd stage
DH	3rd stage

## AIR CONDITIONING WITH ELECTRIC HEAT

Typical situations would be to utilize a 1-stage cool, 1-stage heat wall thermostat for 5 and 9KW applications, and a 1-stage cool/2-stage heat thermostat for 14 and 18KW applications. Listed below are the appropriate control circuit connection diagrams based upon KW rating and also the number of field installed A-22 outdoor thermostats, part No. 8408-001, required for each application.

TABLE 11

KW Rating	Connection Diagram	Quantity Of A-22's
0	CCD-1	0
5,9	CCD-2	0
14,18	CCD-3	0

## HEAT PUMP WITH ELECTRIC HEAT

The system and its safety controls are designed in such a manner that the heat pump and up to 18KW of the resistance strip heaters can operate at the same time, being brought on in stages.

Listed below are the appropriate control circuit connection diagrams based on KW rating, and also the number of field installed A-22 outdoor thermostats, part No. 8408-001 (10 - 45 degree F range), or 8408-005 (0 - 30 degree F range), recommended for each application.

TABLE 12

KW Rating	Connection Diagram	Quantity Of A-22's
0	CCD-5	0
5,9	CCD-6	1
14,18	CCD-7	1

In geographical areas where compressor cut-off would not be required because winter temperatures below 10 degrees F are never experienced, disregard the compressor cut-off wiring shown on the control circuit diagram.

## WALL THERMOSTATS

The following wall thermostats and subbases should be used as indicated, depending on the application.

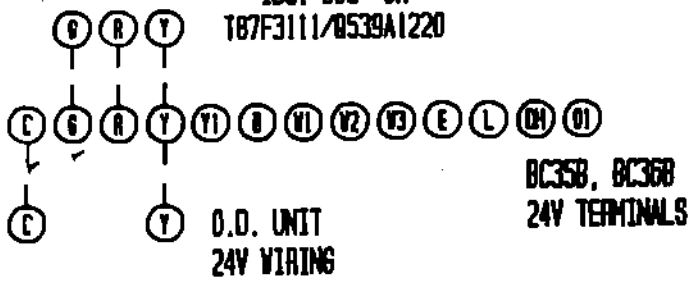
TABLE 13

AIR CONDITIONING THERMOSTATS		
Part No.	Model No.	Description
8403-002	T87F3111	THERMOSTAT--1 stg. heat, adj. heater, Mercury
8404-003	Q539A1220	SUBBASE --System Heat-Off-Cool Fan: On-Auto
8403-008	ID51-605	THERMOSTAT--1 stg. cool, System w/Off Sw. Snap Action Fan: Auto-On
8403-009	IF56-318	THERMOSTAT--1 st. cool, 1 stg. heat, Adj. heater Mercury System: Heat-Off-Cool Fan: Auto-On
8403-019	T874C1000	THERMOSTAT--1 stg. cool, 2 stg. heat, Adj. heater, Mercury
8404-012	Q674A1001	SUBBASE --System: Heat-Auto-Cool Fan: Auto-On
HEAT PUMP THERMOSTATS		
Part No.	Model No.	Description
8403-017	T874R1129	THERMOSTAT--1 stg. cool, 2 stg. heat, 1st stage fixed, 2nd stg. adj. heat anticipators
8404-009	Q674L1181	SUBBASE --System switch: Em. Heat-Heat-Off-Cool Fan switch: On-Auto SPECIAL FEATURE: Manual Changeover (Non-Cycling Rev. Valve) Em. heat light and System check light
8403-018	T874N1024	THERMOSTAT--1 stg. cool, 2 stg. heat, 1st stage fixed, 2nd stg. adj., heat anticipators
8404-010	Q674F1261	SUBBASE --System switch: Off-Cool-Auto-Heat-Em.Ht. Fan switch: On-Auto SPECIAL FEATURE: Auto system changeover, Em. heat light and System check light
8403-024	IF58-45	THERMOSTAT--1 stg. cool, 2 stg. heat, 1st stage fixed, 2nd stg. adj. heater System switch: Em. Heat-Heat-Off-Cool Fan Switch: On-Auto

\*\*\*\*\*  
**WARNING:** Only the thermostats and subbases listed in Table 13 have been approved for use with the 24UHPQA, 30UHPQA, and 36UHPQA models. Use of any other thermostat/subbase combination can cause a condition of no blower operation during defrost cycle when auxiliary heat is energized causing an unsafe condition and possible fire.  
 \*\*\*\*\*

**CCD-1 A/C W/OKV**

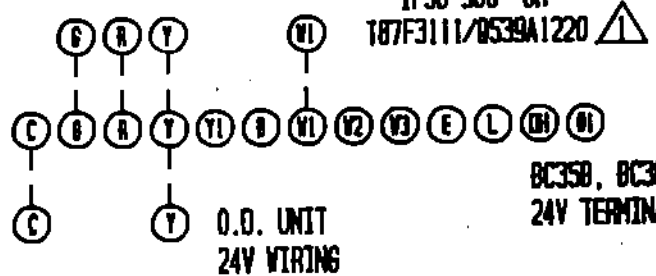
1051-605 OR  
T87F3111/0539A1220



BC35B, BC36B  
24V TERMINALS

**CCD-2 A/C W/S OR 9KV**

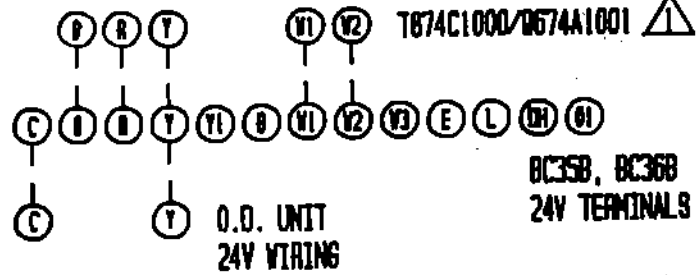
IF56-308 OR  
T87F3111/0539A1220



BC35B, BC36B  
24V TERMINALS

**CCD-3 A/C W/14 OR 18KV**

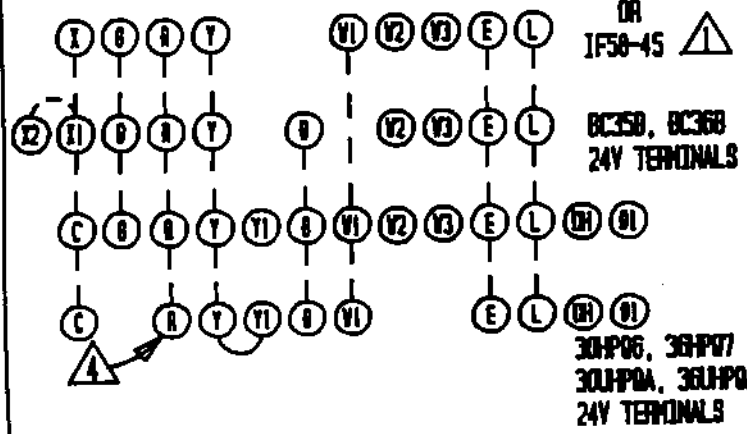
T874C1000/0674A1001



BC35B, BC36B  
24V TERMINALS

**CCD-5 H/P W/OKV**

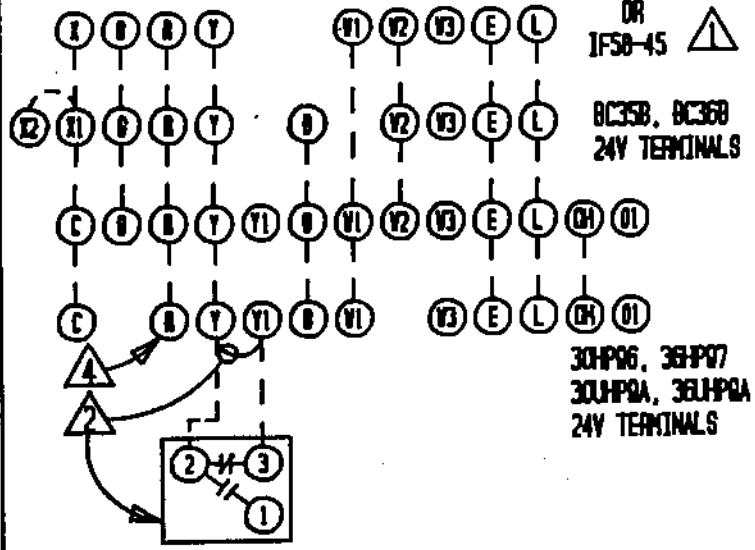
T874N1024/0674F1261 OR  
T874R1129/0674L1181 OR  
IF58-45



30HP06, 36HP07  
30LHP0A, 36LHP0A  
24V TERMINALS

**CCD-6 H/P W/S OR 9KV**

T874N1024/0674F1261 OR  
T874R1129/0674L1181 OR  
IF58-45

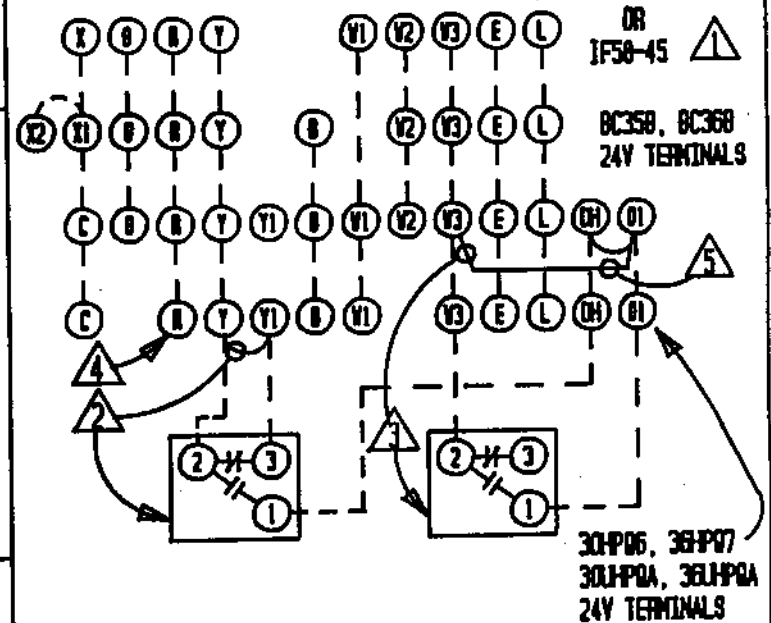


BC35B, BC36B  
24V TERMINALS

30HP06, 36HP07  
30LHP0A, 36LHP0A  
24V TERMINALS

**CCD-7 H/P W/14 OR 18KV**

T874N1024/0674F1261 OR  
T874R1129/0674L1181 OR  
IF58-45



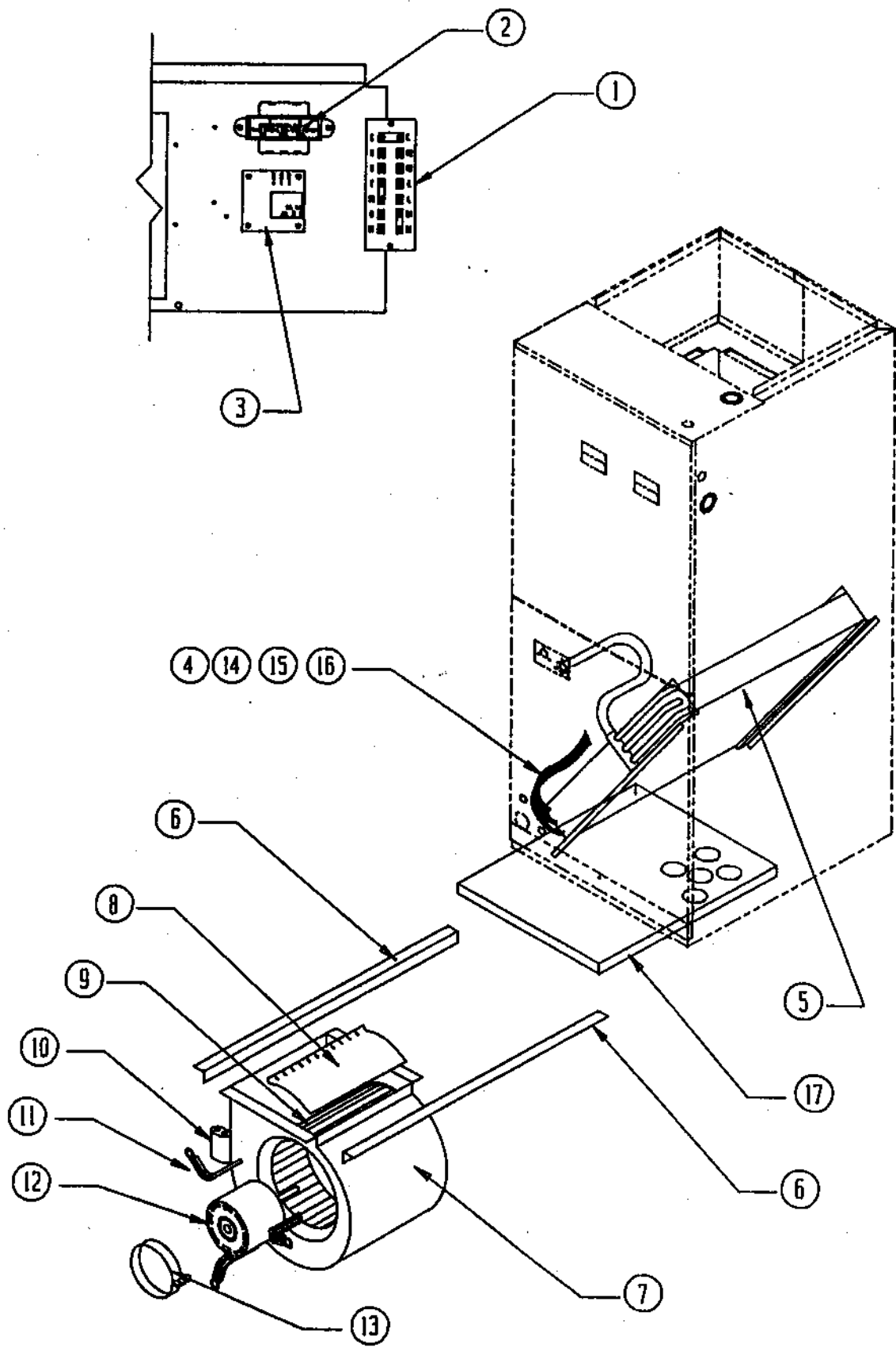
BC35B, BC36B  
24V TERMINALS

30HP06, 36HP07  
30LHP0A, 36LHP0A  
24V TERMINALS

- ⚠ SET ADJUST HEAT ANTICIPATOR AT .40A.
- ⚠ IF OPTIONAL COMPRESSOR CUTOFF IS INSTALLED, REMOVE JUMPER Y - Y1.
- ⚠ IF OPTIONAL OUTDOOR THERMOSTAT IS USED, REMOVE JUMPER V3 - O1.
- ⚠ 30HP06 & 36HP07 UNITS DO NOT HAVE (R) TERMINAL AND IT IS NOT REQUIRED TO RUN AN (R) WIRE TO THESE MODELS.
- ⚠ FOR COUNTERFLOW APPLICATIONS REMOVE JUMPER (V3 - O1)



FUNCTIONAL PARTS



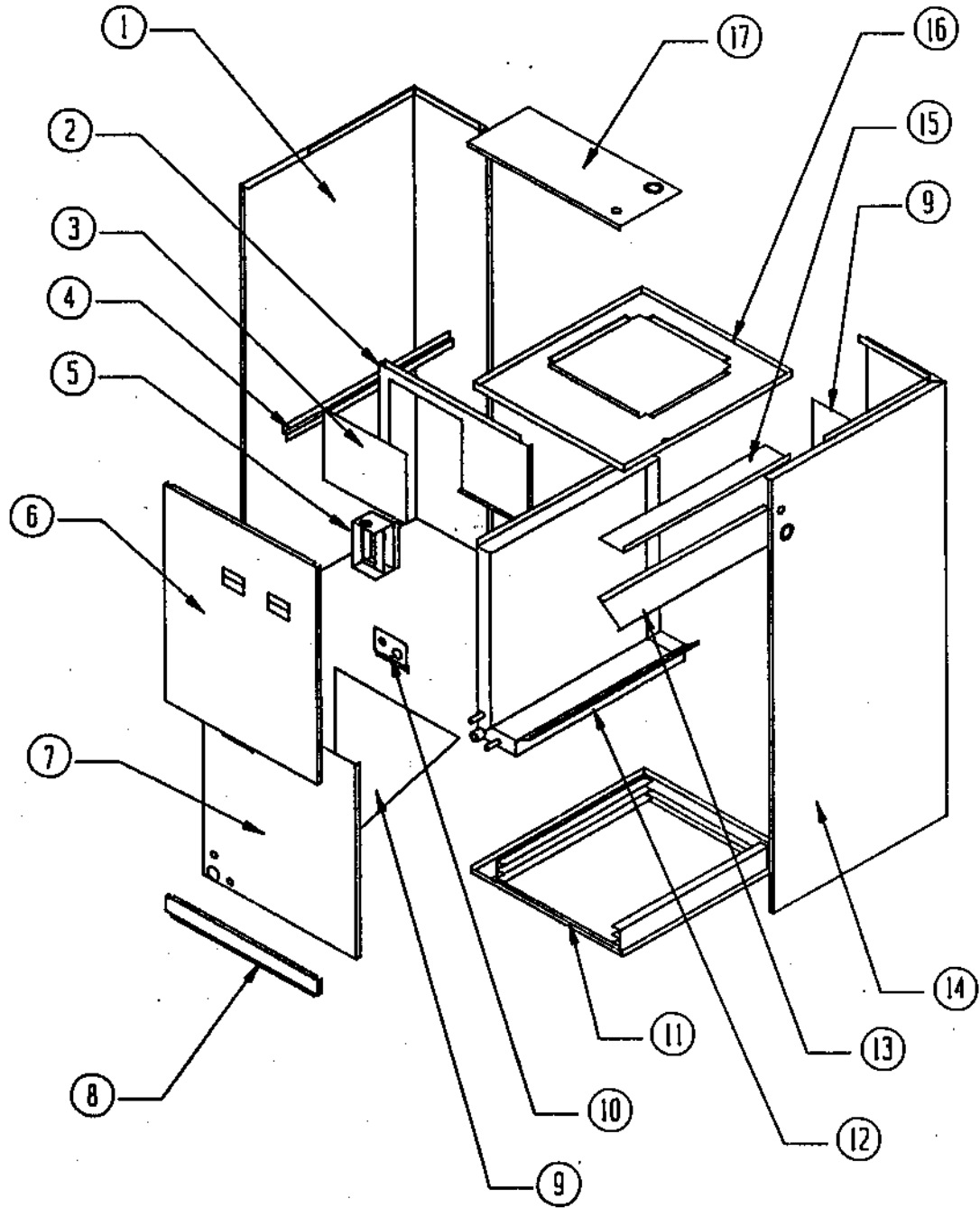
BC35, BC36

PARTS LIST  
FUNCTIONAL PARTS

Date: 04/18/89

Dwg. No.	Part No.	Description	BC35B	BC36B
1	8607-019	Terminal Strip	X	X
2	8407-035	Transformer 55VA	X	X
3	8201-056	Solid State Blower Control	X	X
4	5811-010	Capillary Tube	3	
4	5625-009	Distributor		X
5	5060-055	Evaporator Coil	X	
5	5060-054	Evaporator Coil		X
6	104-813	Blower Angle	2	2
7	151-087	Blower Housing Assembly	X	X
8	144-128	Blower Diffuser	X	X
9	5152-014	Blower Wheel 10 x 9	X	X
10	8552-025	Capacitor 7-1/2 / 440V	X	X
11	8200-034	Motor Mount Arm	3	3
12	8105-022	Motor 1/3 HP 230V	X	X
13	8200-033	Motor Mount Band		X
14	5625-072	.072 Orifice		X
15	5625-002	5782 Coupling to R.H. Thread Adapter		X
16	5651-036	Check Valve	X	
17	7004-010	Filter 16 x 20 x 1	X	X
	4088-110	Wiring Diagram	X	X

FABRICATED PARTS



BC35, BC36

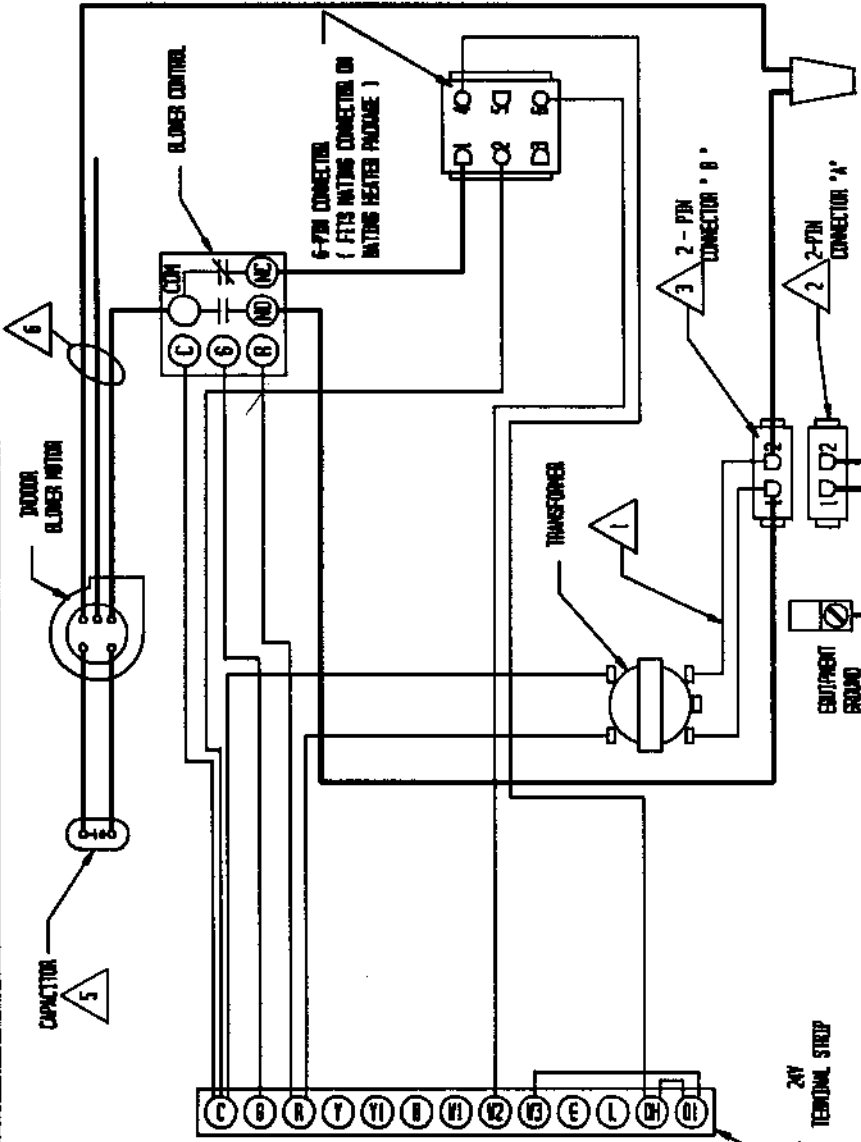
PARTS LIST  
FABRICATED PARTS

Date: 02/14/89

Dwg. No.	Part No.	Description	BC35B	BC36B
1	500-194	Left Side	X	X
2	120-139	Partition	X	X
3	136-141	Block Off Plate	X	X
4	102-392	Coil Assembly Support (Left Side)	X	X
5	117-116	Low Voltage Box Assembly	X	X
6	552-159	Upper Door	X	X
7	552-160	Lower Door	X	X
8	552-161	Filter Door	X	X
9	136-139	Coil Support	X	X
10	140-149	Quick Connect Support	X	X
11	127-154	Lower Base Assembly	X	X
12	123-071	Water Pan Assembly	X	X
13	136-140	Top Coil Fill	X	X
14	500-193	Right Side	X	X
15	140-147	Coil Assembly Support (Right Side)	X	X
16	126-155	Blower Base	X	X
17	107-117	Top Assembly	X	X

# CONNECTION DIAGRAM

**DANGER: ELECTRICAL SHOCK HAZARD.**  
DISCONNECT POWER BEFORE SERVICING.



WIRE COLOR	MOTOR SPEED
YELLOW	COMMON
BLACK	HIGH
BLUE	MEDIUM (B2248 ONLY)
RED	LOW

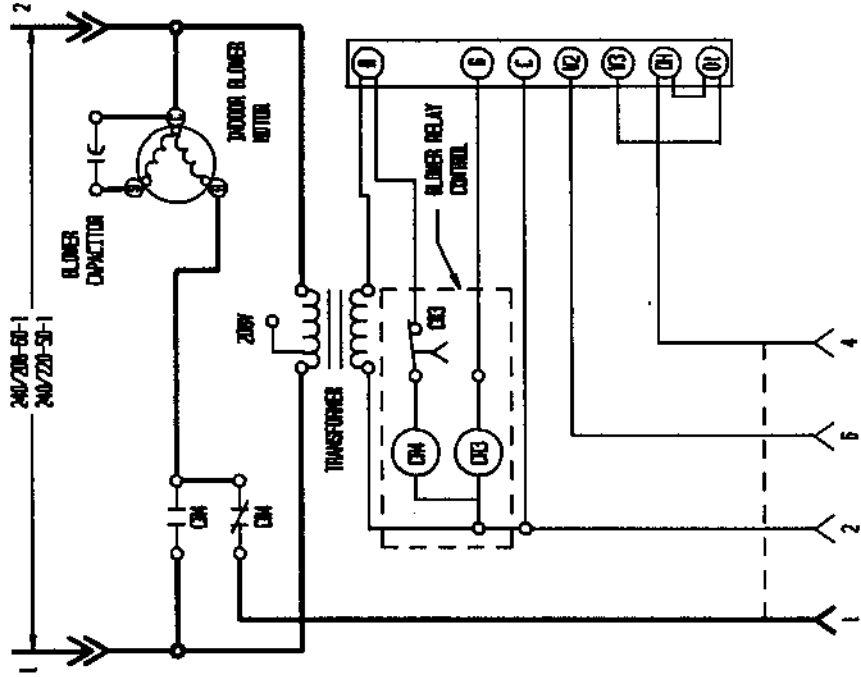
  

MODEL	CAPACITOR
B2248	5/70
B2249	7.5/40
B2250	

WIRE COLOR	MOTOR SPEED
YELLOW	COMMON
BLACK	HIGH
BLUE	MEDIUM (B2248 ONLY)
RED	LOW

# LADDER DIAGRAM



WIRE COLOR	MOTOR SPEED
YELLOW	COMMON
BLACK	HIGH
BLUE	MEDIUM (B2248 ONLY)
RED	LOW

MODEL	CAPACITOR
B2248	5/70
B2249	7.5/40
B2250	