

USER'S INFORMATION MANUAL DCH HIGH EFFICIENCY GAS FURNACE

We're pleased you've chosen our gas furnace to supply your heating needs. Please keep this manual in a safe, yet readily available place. It contains important and useful information.

ATTENTION, INSTALLER! After installing furnace, give the user:

- User's Information Manual
- Parts List
- Installation Instructions
- Warranty Information

ATTENTION, USER! Your furnace installer should give you the above four important documents relating to your furnace. Keep these as long as you do your furnace. Pass these documents on to later purchasers or furnace users. If any of the four documents are missing or damaged, contact your installer or furnace manufacturer for replacement. For efficient service, please give your furnace model and serial number, from Section 1 or from your furnace rating plate.

WARNING: If the information in this manual is not followed exactly, a fire or explosion may result causing property damage, personal injury or loss of life.

- Do not store or use gasoline or other flammable vapors and liquids in the vicinity of this or any other appliance.
- **WHAT TO DO IF YOU SMELL GAS**
 - Do not try to light any appliance.
 - Do not touch any electrical switch; do not use any phone in your building.
 - Immediately call your gas supplier from a neighbor's phone. Follow the gas supplier's instructions.
 - If you cannot reach your gas supplier, call the fire department.
- Installation and service must be performed by a qualified installer, service agency or the gas supplier.

WARNING: Read and follow all safety information in this manual, operating instructions and furnace safety labels. Failure to follow safety precautions could result in damage, injury, or death.

IMPORTANT SAFETY NOTE: You must know how to turn off gas and electricity to furnace. Your qualified installer, service agency or gas supplier can teach you to use controls and switches.

WARNING: Do not use this furnace if any part has been under water. Corrosion can start if electrical and gas control systems become wet. Corrosion can cause gas to leak, which could result in damage, injury or death. Consult a qualified installer, service agency or gas supplier to inspect furnace. Instruct them to replace any part which has been under water.

Thank you for reading these safety statements. Please read on so you will know how to maintain your furnace for years of dependable service.

MANUAL 2100-188

REV. A

SUPERSEDES

FILE VOL. 1, TAB 2

DATE: 06-09-93

1	Rating Plate Information	3
2	Important Safety Precautions	3
3	Understanding How Your Furnace Works	5
4	Turning Off Furnace In An Emergency	6
5	Operating Your Furnace	9
6	Proper Maintenance of Your Furnace	11
7	Checking Furnace Before Requesting A Service Call	15

COPYRIGHT MARCH, 1993
BARD MANUFACTURING COMPANY
BRYAN, OHIO USA 43506

SECTION 1 -- RATING PLATE INFORMATION

Record the manufacturer's name, furnace model number and serial number below. These are on your furnace rating plate located on blower door. Record installation date, which is important for warranty purposes.

Also fill in the installer's name, address and telephone number. This will be handy if you have questions later. Some companies install an identification tag on furnaces they install or service. If not, ask for the information.

YOUR FURNACE INFORMATION

Furnace Type _____

Manufacturer's Name _____

Model Number _____

Serial Number _____

Date Installed _____

Installer/Service _____

Address _____

City/State/Zip Code _____

Telephone Number _____

SECTION 2 -- IMPORTANT SAFETY PRECAUTIONS

A. SIGNAL WORDS

Years of safe, dependable service, are assured when you understand and follow all safety precautions. **REMEMBER:** Your furnace contains flames, gas, electricity, rotating parts and metal edges.

Signal words "WARNING" and "CAUTION" alert you to potential hazards.

"WARNING" alerts you to situations that could cause serious injury or property damage.

"CAUTION" alerts you to situations that could cause minor or moderate injury or property damage.

B. SAFETY PRECAUTIONS

These are some of our most important safety precautions; others are throughout this manual. Please read and follow them.

1. Gas and Combustion Products.

WARNING: Any condition that will allow gas or combustion products to enter furnace area can cause nausea, asphyxiation or fire resulting in damage, injury or death.

Natural gas and propane (LP) gas have characteristic odors. When your furnace is operating correctly, you should not smell any unfamiliar odor. Normally, burning gas with air produces combustion products which contain carbon dioxide, oxygen and water vapor. Under abnormal conditions, combustion products can contain aldehydes and carbon monoxide.

--Aldehydes have a strong pungent, acrid smell that can cause nausea.

--Carbon monoxide is tasteless, colorless and odorless. It can cause headaches, flu-like symptoms or nausea. We refer to all these symptoms as nausea in this manual. It can also cause death by asphyxiation.

WARNING: Any unfamiliar smell can alert you to presence of gas or aldehydes. If you detect any unfamiliar odor, follow instructions in Section 4.B.1. Otherwise, nausea, asphyxiation or fire could occur, resulting in damage, injury or death.

WARNING: Do not block or cover combustion openings in the furnace door or closet door. Blocking or covering these openings could cause nausea, asphyxiation or fire resulting in damage, injury or death.

WARNING: Do not block or cover any openings from outside the furnace area which supply combustion and ventilation air to your furnace. Keep insulation away from these openings. Blocking or covering these openings could cause nausea, asphyxiation or fire, resulting in damage, injury or death.

WARNING: A loud noise may mean faulty burner ignition. If your furnace makes a loud noise, turn it off. Follow instructions in Section 4.B.2. If you don't turn your furnace off, it could cause fire or an explosion, resulting in damage, injury or death.

WARNING: If your furnace is in an attic or other insulated space, keep all insulating materials at least 12 inches away from its burner combustion air openings. Blocking or covering these openings could cause nausea, asphyxiation or fire resulting in damage, injury or death.

WARNING: Do not operate furnace with blower door open or removed. Do not alter furnace to allow operation with blower door removed. Doing either could allow combustion products to circulate throughout the furnace area, causing nausea, asphyxiation or fire resulting in damage, injury or death.

WARNING: Front door must be in place during furnace operation. Hot surfaces behind front door could cause damage or injury.

2. Storage and Use of Flammable, Corrosive and Combustible Products Near Your Furnace.

WARNING: Never store or use flammable liquids or vapors near or on your furnace. These include gasoline, kerosene, cigarette lighter fluid, cleaning fluids, solvents, paint thinners or painting compounds. Flammable vapors can travel great distances before igniting. Flammables could cause fires or explosions and result in damage, injury or death.

WARNING: Never store or use anything near or on your furnace that can produce vapors that are corrosive to gas-fired furnaces. Vapors from products containing chlorines, fluorines, bromines and iodines can cause vent system or heat exchanger failure. Examples of such products are spray or aerosol containers, detergents, bleaches, cat litter, waxes, adhesives, solvents and other cleaning compounds. Vent system or heat exchanger failure could cause nausea, asphyxiation or fire, resulting in damage, injury or death.

WARNING: Never store anything combustible near or on your furnace. These include brooms, dustmops, vacuum cleaners, other cleaning tools or items, plastic or plastic containers, paper bags or other paper products. A fire could occur, resulting in damage, injury or death.

3. Alteration of Furnace Controls.

WARNING: Do not alter any gas or electrical controls (gas control, pilot or safety controls) in any manner. Altering them could cause furnace to operate unsafely, resulting in damage, injury or death.

SECTION 3 -- UNDERSTANDING HOW YOUR FURNACE WORKS

Your installer should have given you a detailed explanation of how the furnace operates. Shown below are the basic operating characteristics and sequence of operation. If you have any questions, consult your installer/service agency.

IMPORTANT
There are many types of thermostats compatible with this furnace. Make sure you understand the specific type installed. Ask installer for detailed explanation, and retain thermostat instruction/manual for reference.

A. BASIC FURNACE -- HEATING CYCLE

This furnace is operated by an Integrated Furnace Control (IFC) which controls all functions of the furnace.

On a call for heat from the thermostat, the IFC first checks the pressure switch to verify contacts are open, then turns on the inducer motor. The pressure switch then closes signaling the IFC to proceed with ignition function.

There is a 36 second ignitor heat-up period, then the gas valve opens introducing main burner gas to be ignited by the hot surface ignitor. The flame sensor proves ignition and carryover across all burners.

There is a 60 second delay after main burner is on until the comfort air blower starts on heating speed. After the thermostat is satisfied, the burners will go off as gas valve closes. The inducer will continue to run for 30 seconds, and the comfort air blower will continue to run approximately two minutes.

B. ACCESSORIES (OPTIONAL, FIELD INSTALLED)

The furnace and IFC are designed to accommodate both electronic air cleaner and humidifier. The electronic air cleaner circuit is powered any time the comfort air blower runs on either heating or cooling speed. The humidifier circuit is powered anytime the inducer motor is operating.

C. COOLING CYCLE OPERATION

If optional add-on air conditioning system is installed, the comfort air blower starts on cooling speed immediately on call for cool, will run continuously during the call for cool, and will stop 60 seconds after the thermostat is satisfied.

D. MANUAL FAN (CONTINUOUS AIRFLOW) OPERATION

If wall thermostat is set to MANUAL (ON) position to operate comfort air blower continuously to provide air circulation throughout the building, the blower will operate on the heating speed rather than the cooling as is typical with most systems. This permits the air to circulate as desired but helps keep the operating noise level down as well as conserving energy.

When all call for heat occurs, the blower will continue to run during the ignitor heat up period, but shut off for 60 seconds after gas valve opens and burners ignite to accelerate the heat exchanger heat-up process. The blower then restarts and runs continuously until the next burner cycle as described above.

During a call for cooling, the blower automatically shifts up to cooling speed, and remains there until 60 seconds after thermostat is satisfied then drops back to heating speed.

SECTION 4 -- TURNING OFF FURNACE IN AN EMERGENCY

WARNING: Have a qualified installer, service agency or gas supplier teach you location and operation of gas and electrical shutoff devices. Ask them any questions you have about this section. If you don't turn off your furnace in an emergency, damage, injury or death could result.

In an emergency you **MUST** know how to turn off gas and electricity. Find out how **BEFORE THE EMERGENCY**.

WARNING: Should overheating occur or the gas supply fail to shut off, shut off the manual gas control to furnace before shutting off the electrical supply, failure to do so can cause a fire or explosion which could result in damage, injury or death.

A. GAS AND ELECTRICAL SHUTOFF DEVICES.

1. Gas Shutoff Devices.

In an emergency, you may not be able to reach all the gas shutoff devices. You must know how to turn off gas using any one of the three manual types:

A. Manual Shutoff Knob on Gas Control

Gas control location is behind door.

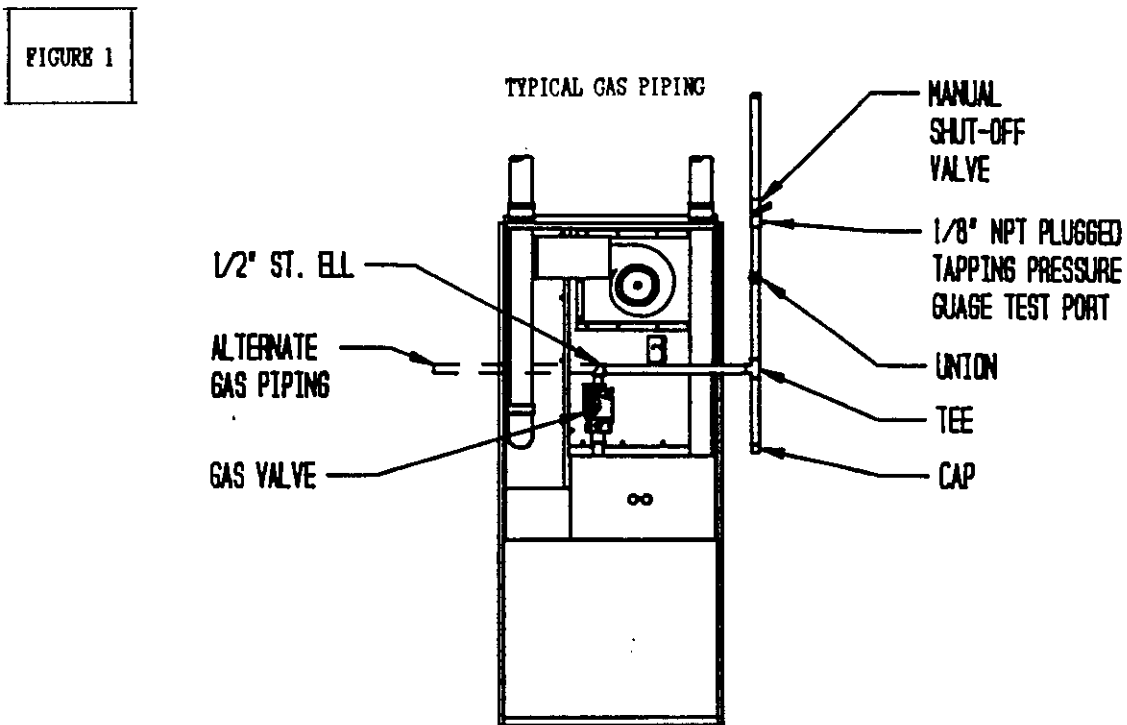
See Lighting and Shutdown Instructions in Section 5 for more information.

To turn gas control furnace knob OFF, turn it clockwise >. Use this same procedure when you leave a vacation home vacant and do not want the furnace to operate.

B. Manual In-Line Shutoff Valve In Gas Supply Line

This valve is next to furnace. Figure 1 shows a typical installation.

Normally, gas is ON when you turn the shutoff valve handle parallel to gas pipe. Gas is OFF when you turn handle 90° from gas pipe.



C. Manual Shutoff Valve at Natural Gas Meter or Propane (LP) Gas Tank

Normally, natural gas is ON when you turn shutoff parallel to gas pipe. Gas is off when you turn shutoff 90° from gas pipe. Some valves require a wrench or other tools.

2. Electrical Shutoff Devices

In an emergency, you may not be able to reach both of your electrical shutoff devices. Therefore, you must know how to turn off electricity using either one of them. Here are two types of electrical shutoff devices:

- A. There should be an electrical shutoff device located on or immediately adjacent to the furnace.
- B. There should be a separate circuit breaker or fuse serving only the furnace located in the main circuit breaker or fuse panel. Know its location and make sure this device is clearly identified.

B. POSSIBLE EMERGENCIES AND RECOMMENDED ACTIONS.

WARNING: If gas or electricity is off due to an emergency, only a qualified installer, service agency or gas supplier should turn it back on. Doing it yourself could result in damage, injury or death.

- 1. Possible emergency: Smelling gas or other unfamiliar smell; or not knowing what may be wrong or what to do about it.

ACTION: For your safety:

- A. Leave your house or building immediately.
- B. Go to a neighbor's or another building.
- C. Use their telephone.
- D. Call your gas supplier; tell them you smell gas; give them your name and address.
- E. If you cannot reach gas supplier, call fire department.

CAUTION: Three important things not to do:

- 1. Don't try to light any gas appliances.
- 2. Don't touch any electrical switches.
- 3. Don't use the telephone in your house or building.

- 2. Possible emergency: Your thermostat is set below room temperature: yet, whether the blower is off or on, the air coming from your room registers continually gets hotter.

ACTION:

- A. Turn room thermostat to its lowest or OFF setting.
- B. If you can do so safely, turn gas off. Use manual shutoff valve at gas meter or on propane (LP gas) tank (you may need wrench or tools). If you can safely turn off electricity at the main circuit panel, do so. If you cannot do these safely, leave your home or building immediately. Call your gas supplier or fire department from a neighbor's phone for help.
- C. Your furnace should now be off. If it is, call your service technician or gas supplier.

- D. If your furnace continues to run, leave your home or building immediately. Call your gas supplier or fire department from a neighbor's phone for help.
3. Possible Emergency: Your thermostat is set above room temperature. The blower is on, but the air coming from your room registers is hot, then cold, then hot, then cold in a continuing cycle. This condition indicates lack of airflow through furnace.

ACTION:

- A. Make sure air filters are clean and installed correctly.
- B. Check that registers and return air grilles are open and unobstructed.
- C. If condition continues, call your local qualified service technician or gas supplier.
4. Possible Emergency: While furnace is operating, you smell unfamiliar odors that go away when furnace is off.

WARNING: Unfamiliar odors may mean gas or aldehydes are present which could result in damage, injury or death.

ACTION:

- A. Turn thermostat to its lowest or OFF setting.
- B. Move gas valve control level to OFF.
- C. If blower is not operating, immediately turn off electricity to furnace using shut off device near furnace or at main circuit panel.
- D. If blower is operating, wait five minutes for furnace to cool down and then turn off electricity to furnace using shutoff device near furnace or at main circuit panel.
- E. Call your local qualified service technician or gas supplier.
5. POSSIBLE EMERGENCY: Main electrical circuit breaker for furnace cannot be reset without tripping again or new fuses continue to blow.

ACTION:

- A. Move gas valve control level to OFF.
- B. Call your local qualified service technician or gas supplier.

SECTION 5 -- OPERATING YOUR FURNACE

After reading the Safety Information and Precautions, follow Operating Instructions on front door of furnace and instructions repeated here.

WARNING: If you do not exactly follow these instructions, a fire or explosion could occur, resulting in damage, injury or death.

WARNING: Never use tools to turn gas control knob. Only use your hand. If gas control knob will not turn by hand, do not force it or try to repair it. Call a qualified installer, service agency or gas supplier. Forcing knob can cause gas to leak which could result in fire or explosion.

Properly operating your furnace requires certain abilities, mechanical skills and tools. If you are uncertain about your abilities or if you lack proper skills or tools, do not proceed. Instead, contact a qualified installer, service agency or gas supplier.

An automatic ignition device lights the burners. Do not try to light manually. See Figure 2 for step by step instructions.

WARNING: If you do not exactly follow these instructions, a fire or explosion could occur, resulting in damage, injury or death.

FIGURE 2

FOR YOUR SAFETY READ BEFORE OPERATING

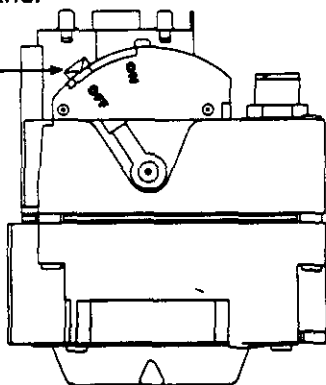
WARNING: If you do not follow these instructions exactly, a fire or explosion may result causing property damage, personal injury or loss of life.

- A. This appliance does not have a pilot. It is equipped with an ignition device which automatically lights the burner. Do not try to light the burner by hand.
- B. BEFORE OPERATING smell all around the appliance area for gas. Be sure to smell next to the floor because some gas is heavier than air and will settle on the floor.
- WHAT TO DO IF YOU SMELL GAS**
- Do not try to light any appliance.
 - Do not touch any electric switch; do not use any phone in your building.
 - Immediately call your gas supplier from a neighbor's phone. Follow the gas supplier's instructions.
- If you cannot reach your gas supplier, call the fire department.
- C. Use only your hand to push in or turn the gas control knob. Never use tools. If the knob will not push in or turn by hand, don't try to repair it, call a qualified service technician. Force or attempted repair may result in a fire or explosion.
- D. Do not use this appliance if any part has been under water. Immediately call a qualified service technician to inspect the appliance and to replace any part of the control system and any gas control which has been under water.

OPERATING INSTRUCTIONS

1. STOP! Read the safety information above on this label.
 2. Set the thermostat to lowest setting.
 3. Turn off all electric power to the appliance.
 4. This appliance is equipped with an ignition device which automatically lights the burner. Do not try to light the burner by hand.
 5. Remove control access panel.
 6. Push in gas control knob slightly and turn clockwise to "OFF."
- NOTE: Knob cannot be turned to "OFF" unless knob pushed in slightly. Do not force.
7. Wait five (5) minutes to clear out any gas. Then smell for gas, including near the floor. If you smell gas, STOP! Follow "B" in the safety information above on this label. If you don't smell gas, go to the next step.
 8. Turn gas control knob counterclockwise to "ON."
 9. Replace control access panel.
 10. Turn on all electric power to the appliance.
 11. Set thermostat to desired setting.
 12. If the appliance will not operate, follow the instructions "To Turn Off Gas To Appliance" and call your service technician or gas supplier.

GAS CONTROL
KNOB SHOWN
IN OFF POSITION



TO TURN OFF GAS TO APPLIANCE

1. Set the thermostat to lowest setting.
2. Turn off all electric power to the appliance if service is to be performed.
3. Remove control access panel.
4. Push in gas control knob slightly and turn clockwise to "OFF." Do not force.
5. Replace control access panel.

7981-366

SECTION 6 -- PROPER MAINTENANCE OF YOUR FURNACE

You need special abilities, mechanical skills and tools to maintain your furnace properly. If you are uncertain about your abilities or if you lack proper skills or tools, do not try to maintain or repair your furnace yourself. Instead, contact a qualified installer, service agency or gas supplier.

A. IF YOU SMELL GAS OR ANY UNFAMILIAR SMELL WHILE WORKING ON YOUR FURNACE:

1. Do not try to light main burners.
2. Do not touch or turn on any electrical switch.
3. Do not use any phone in your building.
4. Immediately call your gas supplier from a neighbor's phone. Follow gas supplier's instructions.
5. If you cannot reach your gas supplier, call fire department.

B. LUBRICATION REQUIREMENTS

The main blower motor and the induced draft blower motor are permanently lubricated, and no maintenance is required.

C. MAKE SURE AIR FILTERS ARE IN PLACE

Ask your installer, local qualified service technician or gas supplier to make sure your filters are in place properly. Become familiar with their location and procedures for removing, cleaning and replacing them.

CAUTION: Operating furnace without clean air filters can damage blower motor, heat exchanger, or air conditioning system components. This can cause system failure which could result in damage or injury.

D. USE THE CORRECT SIZE AIR FILTERS.

All models are shipped with filters and external filter racks that can be installed on either side of the furnace. See Table 1 for sizes and Figures 3 and 4 for installation details.

TABLE 1

TABLE 1 FILTER SIZE FOR GAS FURNACE		
Model	Standard Size*	Optional Size*
DCH036D30A		
DCH050D30A		
DCH065D36A	1 - 16x25x1	
DCH080D48A		
DCH095D60A	1 - 16x25x1	1 - 20x25x1
DCE110D60A		Model FR22

- * Shipped with all furnaces.
- ** Optional filter rack. Must be used on all D60 versions when set-up for 5 ton add-on air conditioning system.

E. KEEP AIR FILTERS CLEAN.

As a user, your personal responsibility is to keep air filters clean.

CAUTION: Dirty air filters reduce system efficiency and can cause erratic control performance. These could result in damage to blower motor or heat exchanger.

WARNING: To prevent electric shock, turn off electricity to furnace before removing, cleaning or replacing air filters. Failure to do so could result in injury or death.

WARNING: To prevent possibility of electrical shock or touching rotating parts, do not operate furnace with blower door removed. Doing so could result in injury or death.

1. During the first four weeks after your furnace is installed, inspect your air filters for dirt every week. Then check them monthly.
2. Permanent type foam filters are washable. Use a solution of soapy water, followed by a rinse in clear water and then dried by tapping the frame against a solid object to remove excess water.

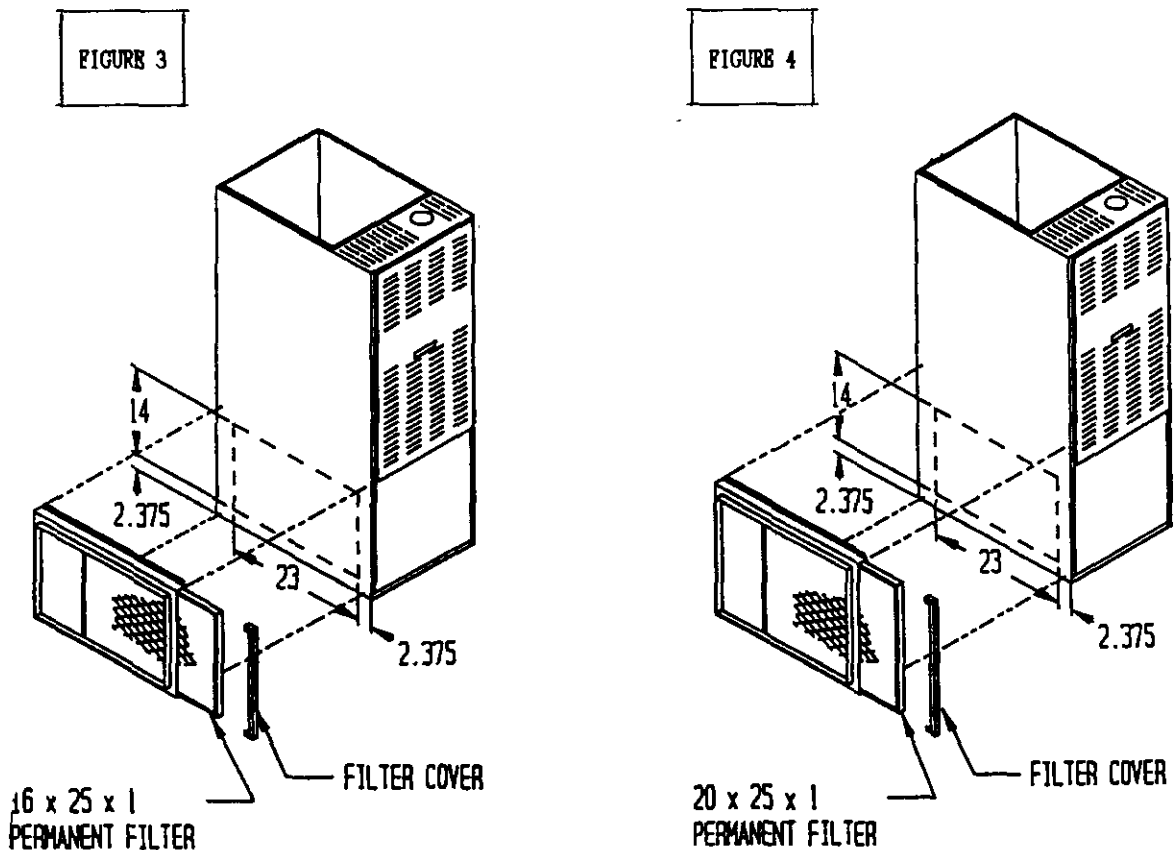
WARNING: After cleaning or changing filter, filter access cover(s) must be replaced. Failure to do so could cause nausea, asphyxiation, or fire, resulting in damage, injury or death.

F. Filter Locations--Removal and Replacement Procedures--All Hi-Boy Furnaces

16 x 25 x 1 external filter racks are supplied as standard equipment for all DCH models. A 14 x 23 opening is to be cut into either the left or right side of the furnace depending upon installation requirements.

See Figure 3 for typical installation of a 16 x 25 x 1 filter rack centered over the 14 x 23 cutout.

Figure 4 shows a typical installation of optional 20 x 25 x 1 filter rack. The same 14 x 23 cutout is required in the furnace side, and the bottom of the filter rack is aligned over the bottom of the 14 x 23 cutout. The top of the filter rack rises approximately 6 inches above the top of the cutout. The 3 inch depth of the filter rack provides ample spacing between furnace side and leaving edge of filter for the entire filter surface to be effective.



To remove filter from the filter rack, remove the filter access cover and grasp the end of the filter. This filter is the permanent high velocity type foam filter which may be washed and used over and over. DO NOT replace it with a fiberglass disposable filter of the same size.

To replace filter, reverse the above procedure.

G. DO NOT OBSTRUCT DUCT WORK

For proper operation, keep registers and return air grilles open. Do not cover them with rugs, carpets, drapes or furniture.

H. HAVE YOUR FURNACE CHECKED ANNUALLY

The furnace and the vent and combustion air intake piping systems should be inspected yearly by a qualified service agency, generally prior to the heating season. Detailed procedures for this inspection are contained in the instructions booklet and should be handled by the qualified service agency only.

A general inspection of the furnace, the furnace area, and the vent and air intake piping systems, should be conducted on a regular basis by the owner/occupant. This review should include:

1. Make sure the furnace always has the minimum clearance as detailed on the furnace rating plate. Special attention must be given to these items if any remodeling is done.
2. Make sure the vent and air intake piping system is in place, slopes upward and is physically sound without holes, sags or dips.
3. Reviewing that the return air duct connection(s) is physically sound, is sealed to the furnace casing, and terminates outside the space containing the furnace.
4. The physical support of the furnace is sound without sagging, cracks, gaps, etc. around the base.
5. Inspect for any obvious signs of deterioration of the furnace.
6. The condensate drain must be inspected monthly for any blockage. If drain appears dirty or clogged, it must be removed and thoroughly washed out with warm water. Blockage of the drain can result in furnace malfunction.

Periodic examinations of the vent and air intake piping system should also be conducted by the owner on a regular basis, preferably every month but at least every two months, during the heating season.

7. Check both the inlet and outlet terminals for any blockage. If any debris is present on the screens, use a small brush or vacuum to remove.

The following procedure should be followed for the periodic inspection as conducted by the owner/occupant:

1. Set the wall thermostat to the "off" position or lower the set point lever to a temperature well below the existing room temperature. Shut off electric power to the furnace. A switch should be mounted either on the outside of the furnace or adjacent to the furnace for this purpose.
2. Remove the outer panel that has ventilating slots in it, and then the inner cover over the burners (has two clean plastic windows) exposing the burner compartment.
3. Use flashlight or troublelight, observe the burner compartment and where the burner(s) extend into the heat exchanger. There should be very minimal scaling or sooting in this area. Some loose debris may have fallen down on to the floor of the heat exchanger from the upper flue passageways, and this may be vacuumed out. Also observe the sides of the heat exchanger for "hot spots" due to improper burner alignment or overfiring and give particular attention to any area where it looks like there may be any deterioration from corrosion or rusting. Observe for any corrosion on the burner themselves. Should anything appear questionable, contact your service agency.

Replace the burner compartment cover immediately in front of the burners (this cover has two clear plastic windows) before continuing the inspection. Make sure all gaskets and seals are intact.

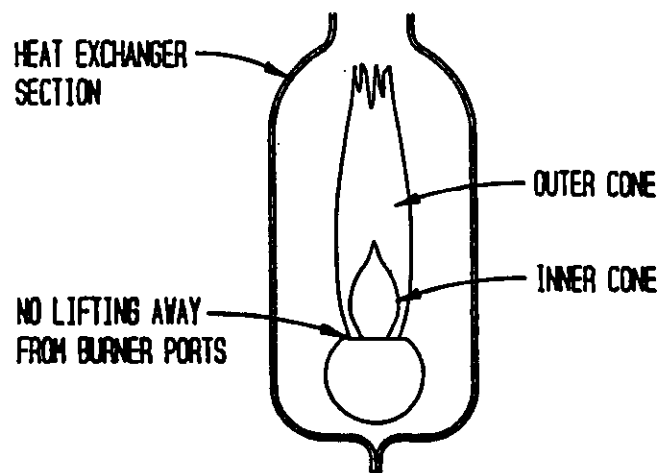
4. Inspect the vent pipe the full distance from the furnace to the exit point from the building, observing for any possible leakage that might result in products of combustion entering the living area.

WARNING
Leakage of products of combustion into the living area may result in asphyxiation.

Any questionable vent pipe should be replaced. Considering its importance, it is relatively cheap insurance to protect your family. Consult your service agency.

5. Restore the electrical power to the furnace by turning the switch back on. Adjust the thermostat to call for heating operation.
6. Observe the main burners in operation. The flame should be mostly "blue" with possibly a little "orange" at the tips of the flames. The flames should be in the center of the heat exchanger compartments and not impinging on the heat exchanger surfaces themselves. See Figure 5.
7. Observe the fire until the blower starts (there is a normal delay period until the heat exchanger warms up). There should be no change in the size or shape of the flame. If there is any wavering or blowing of the flame on the blower start-up, it is an indication of a possible leak in the heat exchanger. Turn off the gas valve in the gas line leading to the furnace, and then the main electrical switch to the furnace and call your service agency.
8. Replace the slotted outer furnace doors by reversing the procedure as outlined under Step 2 above.

FIGURE 5



SECTION 7 -- CHECKING FURNACE BEFORE REQUESTING A SERVICE CALL

Before you call a local qualified service technician or gas supplier, check these items:

A. IF YOUR FURNACE IS OPERATING BUT NOT HEATING YOUR HOUSE TO DESIRED TEMPERATURE:

1. Check to see if air filter is clean. See Section 6.D for checking instructions.
2. Check both supply air register and return air grilles. They should be open, clean and unobstructed by rugs, carpets, drapes or furniture.
3. A. Make sure room thermostat is in HEAT position and gas is ON, see Section 5.
B. Set room thermostat above current room temperature.
C. Make sure room thermostat is not near a heat source, such as a lamp, television, radio, computer, direct sunlight or fireplace. These can make your thermostat sense that the room is warmer than it is. Move heat source away from room thermostat.
4. If furnace now provides sufficient heat, set room thermostat to desired temperature. If your furnace still fails to provide sufficient heat, call your local qualified service technician or gas supplier for repairs. Give furnace model and serial numbers, recorded in Section 1 or from the furnace rating plate.

B. IF YOUR FURNACE IS NOT OPERATING AT ALL.

1. Make sure room thermostat is in HEAT position.
2. Set room thermostat above current room temperature.
3. Make sure electrical disconnect switch for furnace is ON.
4. Check to see if main fuses have blown or main circuit breaker has tripped.
5. Make sure blower door is securely in place. The blower door interlock switch prevents furnace operation if the door is not secured.
6. Make sure gas is ON. If gas is OFF because of an emergency or unsafe condition, DO NOT turn gas ON. Call your local qualified technician.