

INSTALLATION INSTRUCTIONS

WALL MOUNTED PACKAGE AIR CONDITIONERS

MODELS

WA301

WA361

DATE: 04-12-94

**MANUAL 2100-192 REV. F
SUPERSEDES REV. E
FILE VOL. III, TAB 16**

SECTION 1 --GETTING OTHER INFORMATION AND PUBLICATIONS

These publications can help you install the air conditioner or heat pump. You can usually find these at your local library or purchase them directly from the publisher. Be sure to consult current edition of each standard.

National Electrical Code	-ANSI/NFPA 70
Standard For The Installation Of Air Conditioning and Ventilating Systems	-ANSI/NFPA 90A
Standard For Warm Air Heating and Air Conditioning Systems	-ANSI/NFPA 90B
Load Calculation For Residential Winter and Summer Air Conditioning	-ACCA Manual J
Duct Design For Residential Winter and Summer Air Conditioning and Equipment Selection	-ACCA Manual D

FOR MORE INFORMATION, CONTACT THESE PUBLISHERS

ACCA:	AIR CONDITIONING CONTRACTORS OF AMERICA 1513 16th Street NW Washington, DC 20036 Telephone: (202) 483-9370	Fax: (202) 234-4721
ANSI:	AMERICAN NATIONAL STANDARDS INSTITUTE 11 West Street, 13th Floor New York, NY 10036 Telephone: (212) 642-4900	Fax: (212) 302-1286
ASHRAE:	AMERICAN SOCIETY OF HEATING REFRIGERATING AND AIR CONDITIONING ENGINEERS, INCORPORATED 1791 Tullie Circle, N.E. Atlanta, GA 30329-2305 Telephone: (404) 636-8400	Fax: (404) 321-5478
NFPA:	NATIONAL FIRE PROTECTION ASSOCIATION Batterymarch Park P. O. Box 9101 Quincy, MA 02269-9901 Telephone: (800) 344-3555	Fax: (617) 984-7057

Manufactured under the following U.S. patent numbers:
5,301,744; 5,002,116; 4,924,934; 4,875,520; 4,825,936; 4,432,409.
Other patents pending.

COPYRIGHT APRIL, 1994
BARD MANUFACTURING COMPANY
BRYAN, OH 43506 USA

TABLE OF CONTENTS

<u>PART 1 -- WALL MOUNT--GENERAL INSTALLATION INFORMATION</u>	
Air Conditioner Wall Mount Model Nomenclature	1
Shipping Damage	1
General	4
Duct Work	4
Filters	5
Fresh Air Intake	5
Condensate Drain	5
<u>PART 2 -- INSTALLATION</u>	
Wall Mounting Information	5
Mounting The Unit	5
Top Outlet Only	6
WIRING	
Wiring--Main Power	9
Wiring: Low Voltage Wiring	9
<u>PART 3 -- START-UP</u>	
Important Installer Note	12
Crankcase Heaters	12
Service Hints	12
Sequence of Operation	12
Pressure Service Ports	13
<u>PART 4 -- TROUBLESHOOTING</u>	
Fan Blade Setting Dimensions	13
Removal of the Fan Shroud	13
Refrigerant Charge	14
Pressure Table	15
Optional Accessories.	16

FIGURES AND TABLES

Figure 1	Unit Dimensions	2
Figure 2	Mounting Locations	7
Figure 2A	Electric Heat Clearance	8
Figure 2B	Coat Angles with Silicone	8
Figure 2C	Soffit Installation	8
Figure 3	Unit 24V Terminal Board	11
Figure 4	Start-Up	12
Figure 5	Fan Blade Setting	13

Table 1	Electric Heat Table	1
Table 2	Electrical Specifications	3
Table 3	Thermostat Wire Sizes	9
Table 3A	Wall Thermostat and Subbase Combinations.	9
Table 4	Fan Blade Settings.	13
Table 5	Refrigerant Charge	14
Table 6	Indoor Blower Performance	14
Table 7	Recommended Operating Ranges.	14
Table 8	Maximum ESP of Operation	14
Table 9	Cooling--Pressure (PSI)	15
Table 10	Optional Accessories	16

PART 1 -- WALL MOUNT GENERAL INFORMATION

AIR CONDITIONER WALL MOUNT MODEL NOMENCLATURE

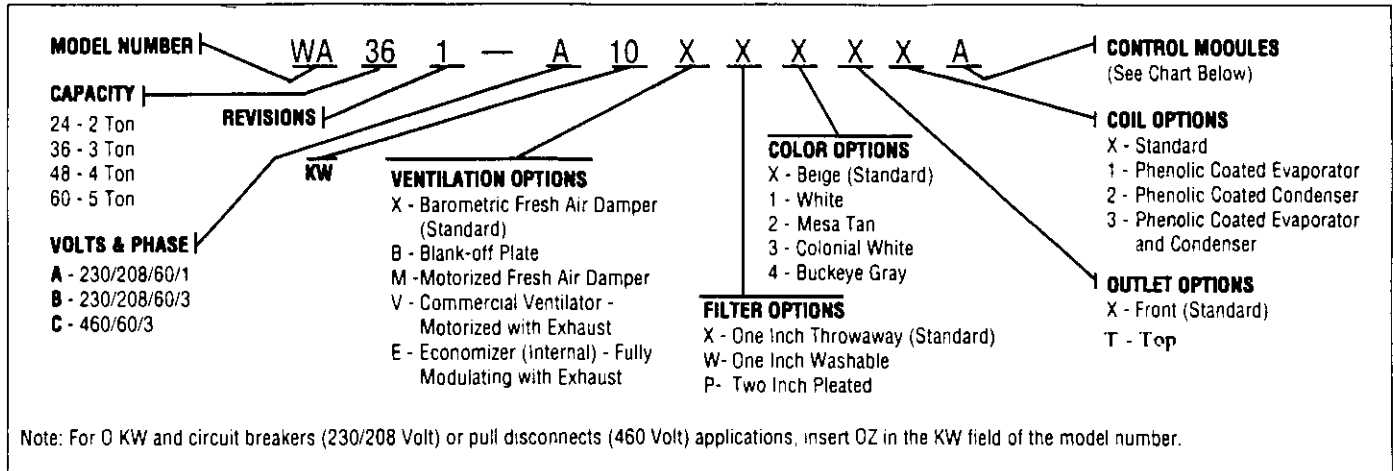


TABLE 1

ELECTRIC HEAT TABLE

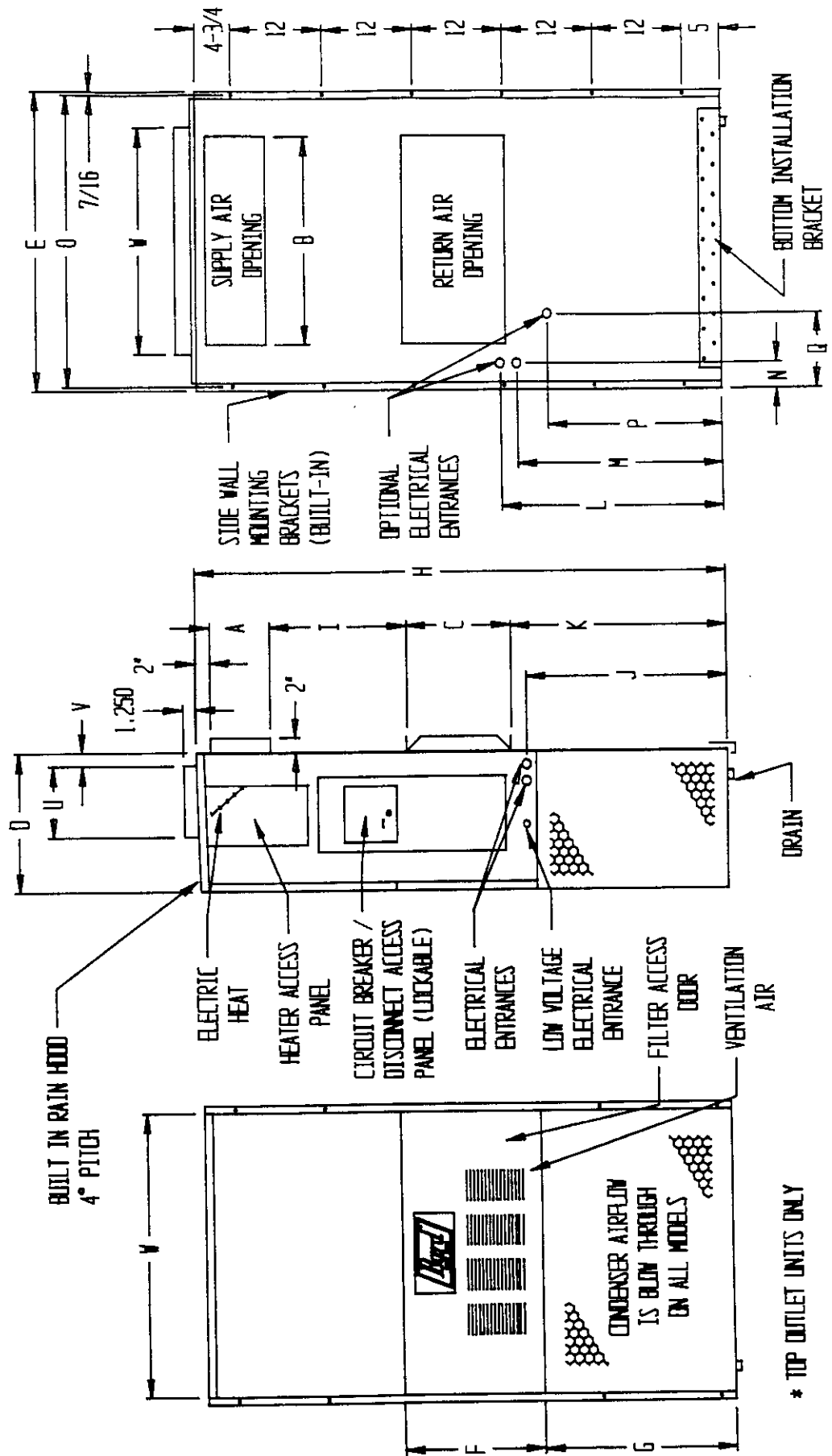
Models	ELECTRIC HEAT TABLE																					
	WA301-A				WA301-B				WA301-C				WA361-A				WA361-B				WA361-C	
	240-1		208-1		240-3		208-3		460-3		240-1		208-1		240-3		208-3		460-3			
KW	A	BTU	A	BTU	A	BTU	A	BTU	A	BTU	A	BTU	A	BTU	A	BTU	A	BTU	A	BTU		
5	20.8	17065	18.1	12800							20.8	17065	18.1	12800								
8	33.3	27300	28.8	20475							33.3	27300	28.8	20475								
10	41.6	34130	36.2	25600							41.6	34130	36.2	25600								
15											62.5	51200	54.1	38400								
6					14.4	20500	12.5	15360	7.2	20475					14.4	20500	12.5	15360	7.2	20475		
9					21.7	30600	18.7	23030	10.8	30700					21.7	30600	18.7	23030	10.8	30700		
15									18	51200					36.2	51200	31.2	38400	18.0	51200		

SHIPPING DAMAGE

Upon receipt of equipment, the carton should be checked for external signs of shipping damage. If damage is found, the receiving party must contact the last carrier immediately, preferably in writing, requesting inspection by the carrier's agent.

FIGURE 1
UNIT DIMENSIONS

UNIT	WIDTH (W)	DEPTH (D)	HEIGHT (H)	SUPPLY		RETURN		E	F	G	I	J	K	L	M	N	O	P	Q	R	S	T	U	V	W	
				A	B	C	B																			
30 & 36	37-7/8	16-7/8	70-1/2	7-7/8	27-7/8	13-7/8	27-7/8	39-7/8	18-1/4	25-3/4	18	26-3/4	28-3/4	29-1/4	27	2-9/16	39	22-3/4	9	7-7/8	1	31-7/8				



* TOP OUTLET UNITS ONLY

FRONT VIEW

SIDE VIEW

BACK VIEW

ELECTRICAL SPECIFICATIONS

TABLE 2

Model	Rated Volts and Phase	No. Field Power Ckts.	SINGLE CIRCUIT				DUAL CIRCUIT							
			(3) Minimum Circuit Ampacity	(1) Maximum External Fuse Or Circuit Breaker	(2) Field Power Wire Size	(2) Ground Wire Size	(3) Minimum Circuit Ampacity	(1) Maximum External Fuse Or Ckt. Breaker		(2) Field Power Wire Size				
								CKT A	CKT B	CKT A	CKT B			
WA301-A00, A0Z		1	22	35	10	10	N/A	N/A	N/A	N/A	N/A	N/A	N/A	N/A
A05		1	29	35	10	10	N/A	N/A	N/A	N/A	N/A	N/A	N/A	N/A
A08 (4)	230/208-1	1	45	45	8	10	N/A	N/A	N/A	N/A	N/A	N/A	N/A	N/A
A10		1	55	60	6	10	N/A	N/A	N/A	N/A	N/A	N/A	N/A	N/A
A15 (4)		1 or 2	81	90	4	8	55	26	60	30	4	10	8	10
WA301-B00, B0Z		1	15	20	14	12	N/A	N/A	N/A	N/A	N/A	N/A	N/A	N/A
B06 (4)	230/208-3	1	21	25	10	10	N/A	N/A	N/A	N/A	N/A	N/A	N/A	N/A
B09		1	30	30	10	10	N/A	N/A	N/A	N/A	N/A	N/A	N/A	N/A
B15 (4)		1	48	50	8	10	N/A	N/A	N/A	N/A	N/A	N/A	N/A	N/A
WA301-C00, C0Z		1	9	15	14	14	N/A	N/A	N/A	N/A	N/A	N/A	N/A	N/A
C06 (4)	460-3	1	11	15	14	14	N/A	N/A	N/A	N/A	N/A	N/A	N/A	N/A
C09		1	15	15	14	14	N/A	N/A	N/A	N/A	N/A	N/A	N/A	N/A
C15 (4)		1	24	25	10	10	N/A	N/A	N/A	N/A	N/A	N/A	N/A	N/A
WA361-A00, A0Z		1	25	35	10	10	N/A	N/A	N/A	N/A	N/A	N/A	N/A	N/A
A05		1	29	35	10	10	N/A	N/A	N/A	N/A	N/A	N/A	N/A	N/A
A08 (4)	230/208-1	1	45	45	8	10	N/A	N/A	N/A	N/A	N/A	N/A	N/A	N/A
A10		1	55	60	6	10	N/A	N/A	N/A	N/A	N/A	N/A	N/A	N/A
A15 (4)		1 or 2	81	90	4	8	55	26	60	30	4	10	8	10
WA361-B00, B0Z		1	18	25	12	10	N/A	N/A	N/A	N/A	N/A	N/A	N/A	N/A
B06 (4)	230/208-3	1	21	25	10	10	N/A	N/A	N/A	N/A	N/A	N/A	N/A	N/A
B09		1	30	30	10	10	N/A	N/A	N/A	N/A	N/A	N/A	N/A	N/A
B15 (4)		1	48	50	8	10	N/A	N/A	N/A	N/A	N/A	N/A	N/A	N/A
WA361-C00, C0Z		1	9	15	14	14	N/A	N/A	N/A	N/A	N/A	N/A	N/A	N/A
C06 (4)	460-3	1	11	15	14	14	N/A	N/A	N/A	N/A	N/A	N/A	N/A	N/A
C09		1	15	15	14	14	N/A	N/A	N/A	N/A	N/A	N/A	N/A	N/A
C15 (4)		1	24	25	10	10	N/A	N/A	N/A	N/A	N/A	N/A	N/A	N/A

(1) Maximum size of the time delay fuse or HACR type circuit breaker for protection of field wiring conductors.
 (2) Based on 75°C copper wire. All wiring must conform to NEC and all local codes.
 (3) These "Minimum Circuit Ampacity" values are to be used for sizing the field power conductors. Refer to the National Electric Code (latest revision), article 310 for power conductor sizing. Caution: When more than one field power conductor circuit is run thru one conduit, the conductors must be derated. Pay special attention to note 8 of table 310 regarding Ampacity Adjustment Factors when more than 3 conductors are in a raceway.
 (4) Not available in top outlet version.

GENERAL

The equipment covered in this manual is to be installed by trained, experienced service and installation technicians.

The refrigerant system is completely assembled and charged. All internal wiring is complete.

The unit is designed for use with or without duct work. Flanges are provided for attaching the supply and return ducts.

These instructions explain the recommended method to install the air cooled self-contained unit and the electrical wiring connections to the unit.

These instructions and any instructions packaged with any separate equipment required to make up the entire air conditioning system should be carefully read before beginning the installation. Note particularly "Starting Procedure" and any tags and/or labels attached to the equipment.

While these instructions are intended as a general recommended guide, they do not supersede any national and/or local codes in any way. Authorities having jurisdiction should be consulted before the installation is made. See Page 1 for information on codes and standards.

Size of unit for a proposed installation should be based on heat loss calculation made according to methods of Air Conditioning Contractors of America (ACCA). The air duct should be installed in accordance with the Standards of the National Fire Protection Association for the Installation of Air Conditioning and Ventilating systems of Other Than Residence Type, NEPA No. 90A, and Residence Type Warm Air Heating and Air Conditioning Systems, NEPA No. 90B. Where local regulations are at a variance with instructions, installer should adhere to local codes.

DUCT WORK

All duct work, supply and return, must be properly sized for the design air flow requirement of the equipment. Air Conditioning Contractors of America (ACCA) is an excellent guide to proper sizing. All duct work or portions thereof not in the conditioned space should be properly insulated in order to both conserve energy and prevent condensation or moisture damage.

Refer to Table 8 for maximum static pressure available for duct design.

Design the duct work according to methods given by the Air Conditioning Contractors of America (ACCA). When duct runs through unheated spaces, it should be insulated with a minimum of one inch of insulation. Use insulation with a vapor barrier on the outside of the insulation. Flexible joints should be used to connect the duct work to the equipment in order to keep the noise transmission to a minimum.

A 1/4-inch clearance to combustible material for the first three feet of duct attached to the outlet air frame is required. See Pages 5, 6 and 7 Wall Mounting Instructions and Figures 2 and 2A for further details.

Ducts through the walls must be insulated and all joints taped or sealed to prevent air or moisture entering the wall cavity.

Some installations may not require any return air duct. It is recommended that on this type of installation that a filter grille be located in the wall. Filters must be of sufficient size to allow a maximum velocity of 400 FPM.

NOTE: If no return air duct is used, applicable installation codes may limit this cabinet to installation only in a single story structure.

FILTERS

A 1-inch throwaway filter is supplied with each unit. The filter slides into position making it easy to service. This filter can be serviced from the outside by removing the service door. A 1-inch washable filter and 2-inch pleated filter are also available as optional accessories. The internal filter brackets are adjustable to accommodate the 2-inch filter by loosening 2 screws in each bracket assembly and sliding the brackets apart to the required width and retightening the 4 screws.

FRESH AIR INTAKE

All units are built with a fresh air inlet slots punched in the service panel.

The fresh air damper assembly is standard equipment with the unit because of the variety of state or local codes requiring fresh air capability. It is shipped already attached to each unit.

All capacity, efficiency and cost of operation information as required for Department of Energy "Energyguide" Fact Sheets is based upon the fresh air blank-off plate in place and is recommended for maximum energy efficiency.

The blank-off plate is available upon request from the factory and is installed in place of the fresh air damper shipped with each unit.

CONDENSATE DRAIN

A plastic drain hose extends from the drain pan at the top of the unit down to the unit base. There are openings in the unit base for the drain hose to pass through. In the event the drain hose is connected to a drain system of some type, it must be an open or vented type system to assure proper drainage.

PART 2 -- INSTALLATION INSTRUCTIONS

WALL MOUNTING INFORMATION

1. Two holes, for the supply and return air openings, must be cut through the wall as shown in Figure 2.
2. On wood-frame walls, the wall construction must be strong and rigid enough to carry the weight of the unit without transmitting any unit vibration. **WARNING:** Fire hazard can result if 1/4-inch clearance to combustible materials for supply air duct is not maintained. See Figure 2.
3. Concrete block walls must be thoroughly inspected to insure that they are capable of carrying the weight of the installing unit.

MOUNTING THE UNIT

1. These units are secured by wall mounting brackets which secure the unit to the outside wall surface at both sides. A bottom mounting bracket is provided for ease of installation, but is not required.
2. The unit itself is suitable for "0" inch clearance, but the supply air duct flange and the first three feet of supply air duct require a minimum of 1/4-inch clearance to combustible material. If a combustible wall, use a minimum of 28-1/2" x 8-1/2" dimensions for sizing. However, it is generally recommended that a 1" clearance is used for ease of installation and maintaining the required clearance to combustible material. The supply air opening would then be 30" x 10". See Figures 2 and 2A for details.

WARNING: Failure to provide the 1/4-inch clearance between the supply duct and a combustible surface for the first three feet of duct can result in fire.

3. Locate and mark lag bolt locations and bottom mounting bracket location, if desired. See Figure 2.
4. Mount bottom mounting bracket, if used.
5. Hook top rain flashing under back bend of top. Top rain flashing is shipped attached to the back of the unit on the right side.
6. Position unit in opening and secure with 5/16 lag bolts; use 7/8 inch diameter flat washers on the lag bolts.
7. Secure rain flashing to wall and caulk across entire length of top. See Figure 7.
8. For additional mounting rigidity, the return air and supply air frames or collars can be drilled and screwed or welded to the structural wall itself (depending upon wall construction). Be sure to observe required clearance if combustible wall.
9. On side by side installations, maintain a minimum of 20 inches clearance on right side to allow access to heat strips and control panel and to allow proper airflow to the outdoor coil. Additional clearance may be required to meet local or national codes.

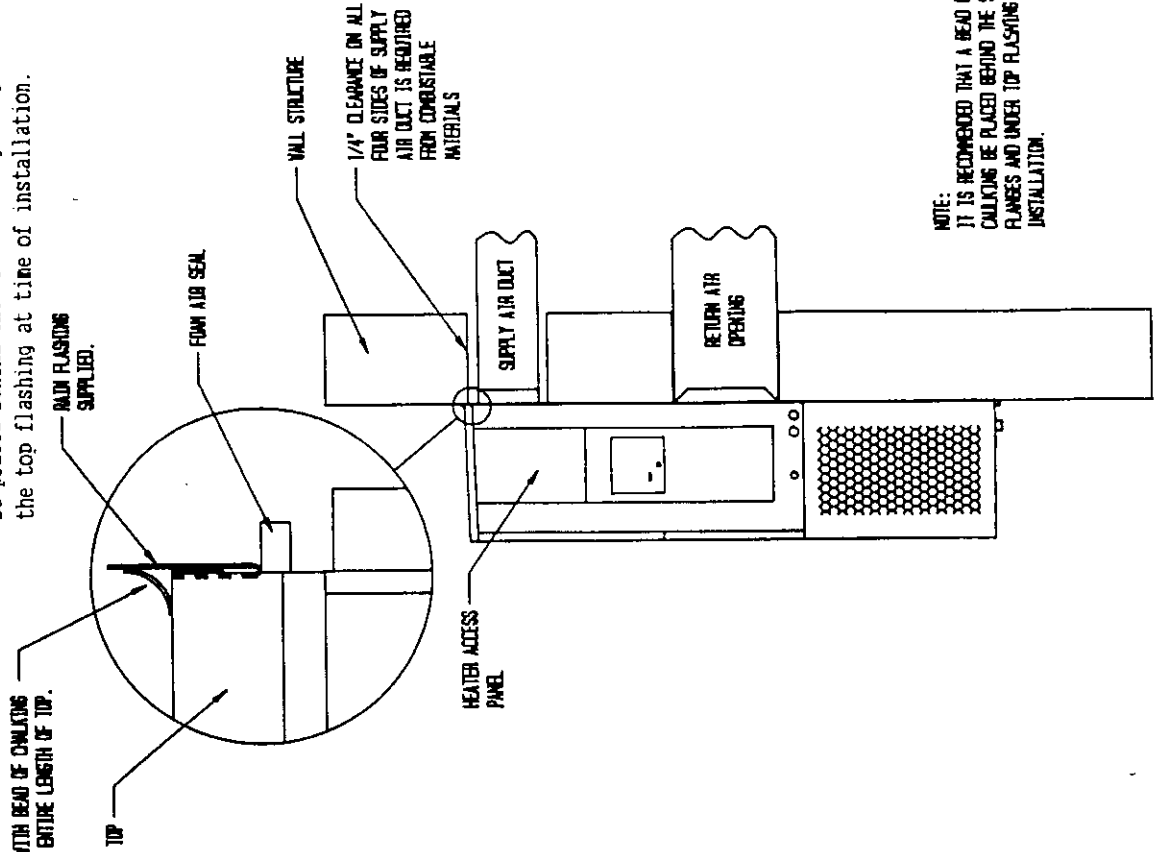
TOP OUTLET ONLY

1. Remove airframe angles from the back of the unit.
2. Coat angles with (2) 1/8" beads of silicone as shown. Silicone is shipped in the control panel. See Figure 2B.
3. Secure angles to the top of the unit with (14) screws provided. Use of prepunched holes provided. Do not relocate. See Figure 2B.
4. After installation of ductwork, seal around airframe and ductwork to provide a rain tight seal.
5. It is strongly recommended, but not required, that this unit be installed under a soffit area large enough to shield the top of the unit. See Figure 2C.

FIGURE 2
MOUNTING INSTRUCTIONS

NOTE: It is recommended that a bead of silicone caulking be placed behind the side mounting flanges and under the top flashing at time of installation.

	A	B	C	D	E
REQUIRED DIMENSIONS TO MAINTAIN 1/4" MIN. CLEARANCE FROM COMBUSTIBLE MATERIALS	28 1/2	8 1/2	5 1/4	3 13/16	17 5/8
REQUIRED DIMENSIONS TO MAINTAIN RECOMMENDED 1" CLEARANCE FROM COMBUSTIBLE MATERIALS	30	10	4 1/2	3 1/16	16 7/8



NOTE: IT IS RECOMMENDED THAT A BEAD OF SILICONE CAULKING BE PLACED BEHIND THE SIDE MOUNTING FLANGES AND UNDER TOP FLASHING AT TIME OF INSTALLATION.

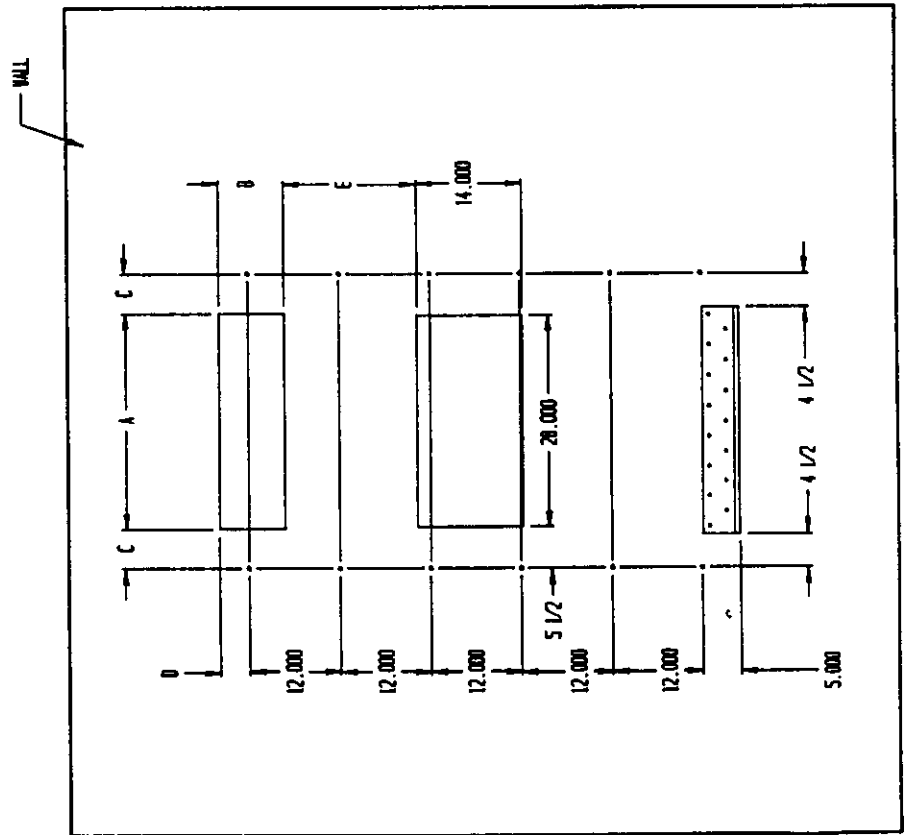
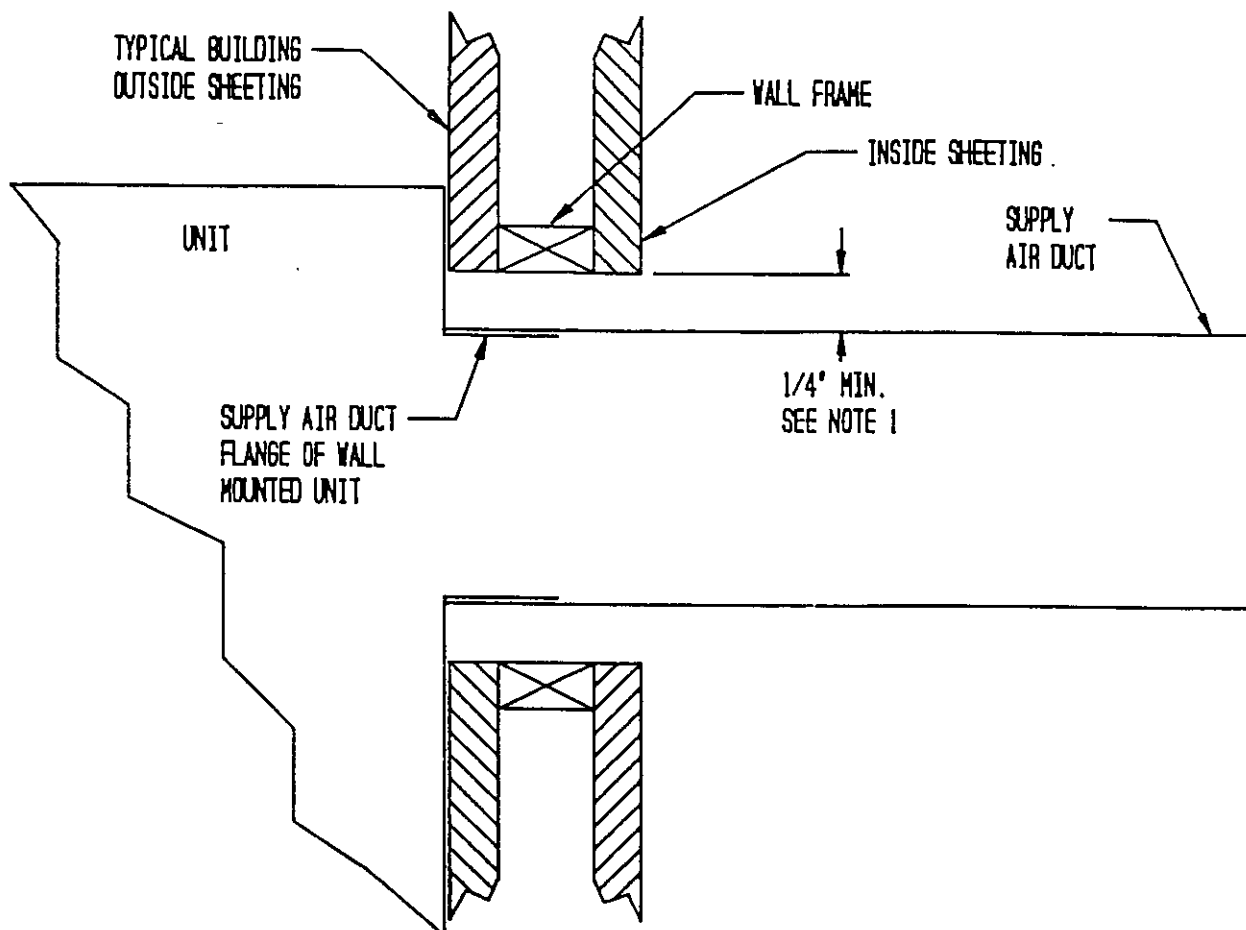


FIGURE 2A
ELECTRIC HEAT CLEARANCE



Side section view of supply air duct for wall mounted unit showing 1/4" clearance to combustibles.

NOTE 1:

WARNING
A <u>minimum</u> of 1/4" clearance must be maintained between the supply air duct and combustible materials. This is required for the first 3 feet of ducting.
It is important to insure that the 1/4" minimum spacing is maintained at all points.
Failure to do this could result in overheating the combustible material and may result in a fire.

FIGURE 2B

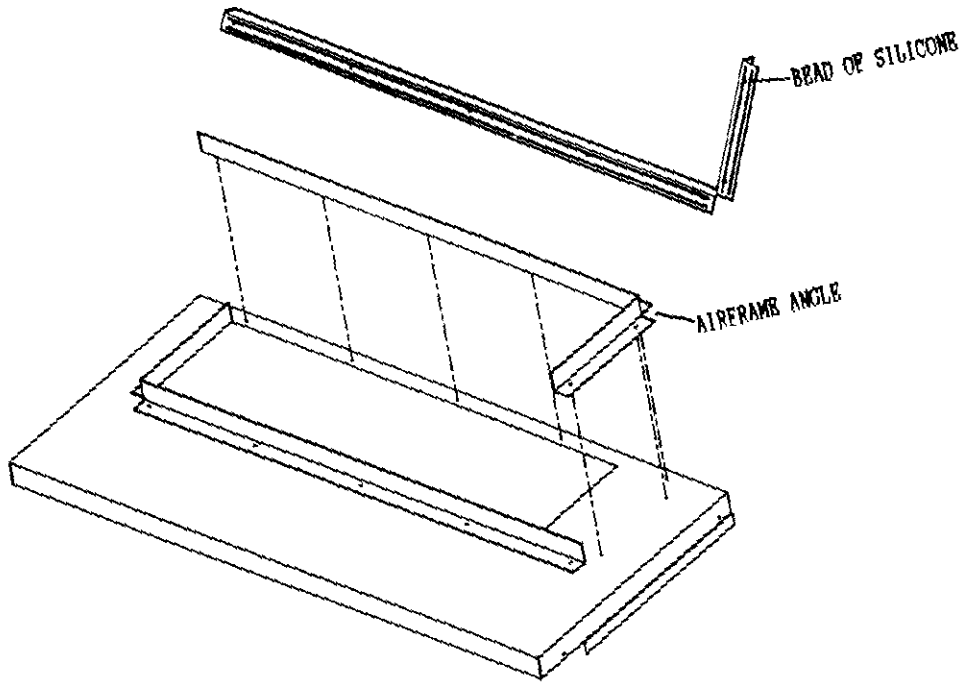
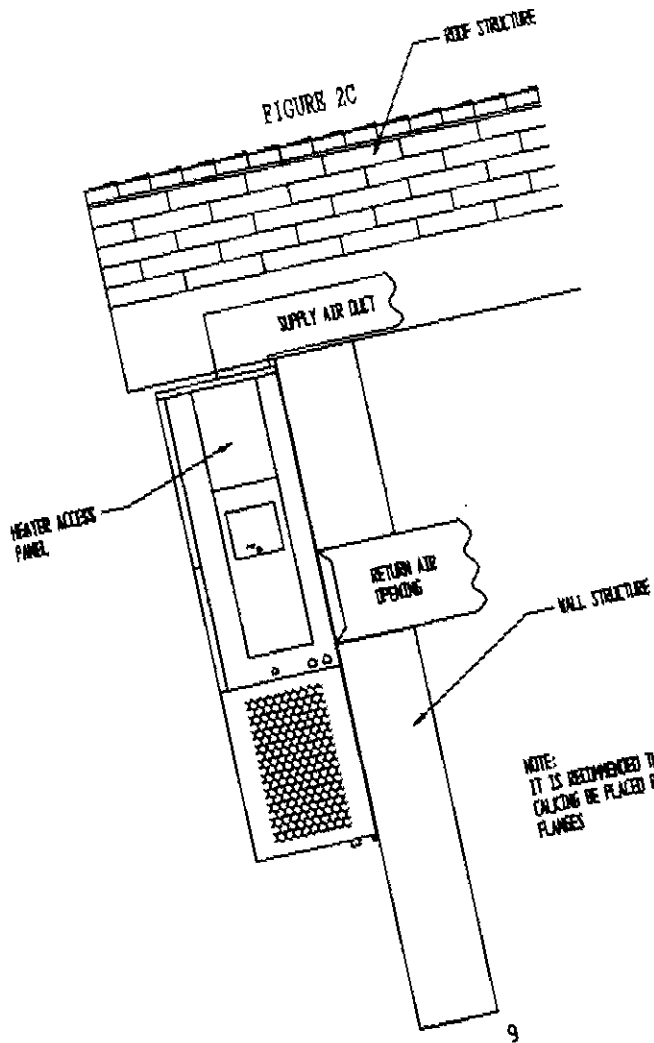


FIGURE 2C



WIRING--MAIN POWER

Refer to the unit rating plate for wire sizing information and maximum fuse or "HACR Type" circuit breaker size. Each outdoor unit is marked with a "Minimum Circuit Ampacity". This means that the field wiring used must be sized to carry that amount of current. Depending on the installed KW of electric heat, there may be two field power circuits required. If this is the case, the unit serial plate will so indicate. All models are suitable only for connection with copper wire. Each unit and/or wiring diagram will be marked "Use Copper Conductors Only". These instructions MUST BE adhered to. Refer to the National Electrical Code (NEC) for complete current carrying capacity data on the various insulation grades of wiring material. All wiring must conform to NEC and all local codes.

The electrical data lists fuse and wire sizes (75°C copper) for all models, including the most commonly used heater sizes. Also shown are the number of field power circuits required for the various models with heaters.

The unit rating plate lists a "Maximum Time Delay Relay Fuse" or "HACR Type" circuit breaker that is to be used with the equipment. The correct size must be used for proper circuit protection and also to assure that there will be no nuisance tripping due to the momentary high starting current of the compressor motor.

The disconnect access door on this unit may be locked to prevent unauthorized access to the disconnect. To convert for the locking capability, bend the tab located in the bottom left hand corner of the disconnect opening under the disconnect access panel straight out. This tab will now line up with the slot in the door. When shut, a padlock may be placed through the hole in the tab preventing entry.

WIRING: LOW VOLTAGE WIRING

230/208V, 1 phase and 3 phase equipment dual primary voltage transformers. All equipment leaves the factory wired on 240V tap. For 208V operation, reconnect from 240V to 208V tap. The acceptable operating voltage range for the 240 and 208V taps are:

TAP	RANGE
240	253 - 216
208	220 - 187

NOTE: The voltage should be measured at the field power connection point in the unit and while the unit is operating at full load (maximum amperage operating condition).

Five (5) wires should be run from thermostat subbase to the 24V terminal board in the unit. A five conductor, 18 gauge copper, color-coded thermostat cable is recommended. The connection points are shown in Figure 3.

TABLE 3 THERMOSTAT WIRE SIZE

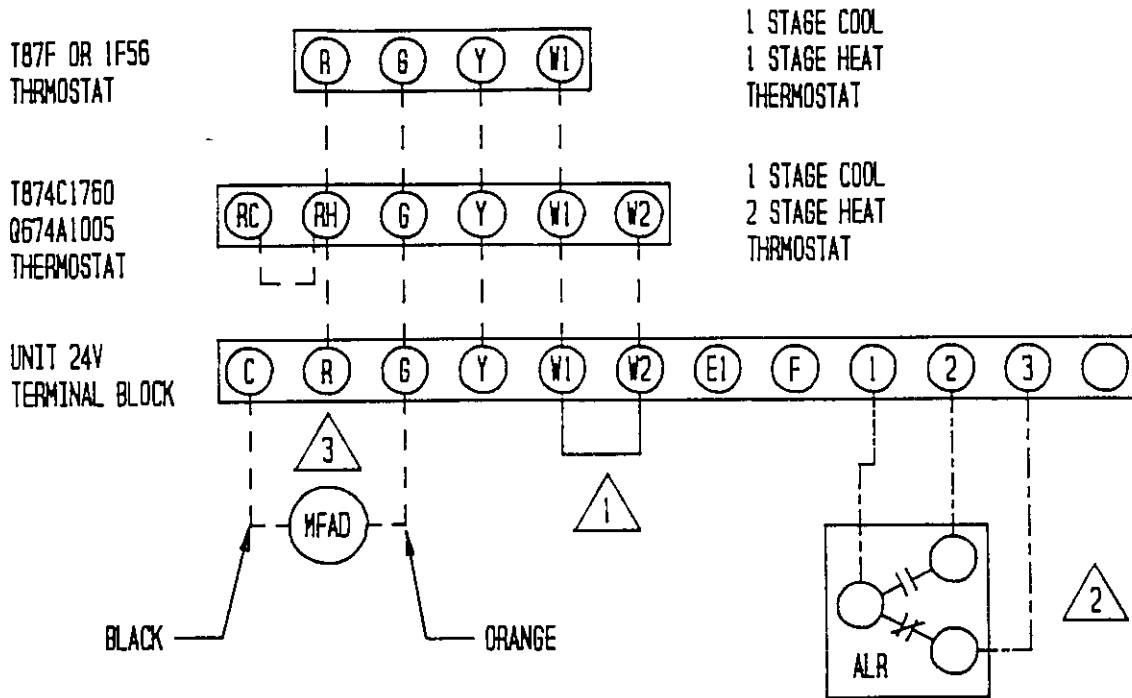
Transformer VA	FLA	Wire Gauge	Maximum Distance In Feet
55	2.3	20 Gauge	45
		18 "	60
		16 "	100
		14 "	160
		12 "	250

TABLE 3A WALL THERMOSTAT AND SUBBASE COMBINATIONS

Thermostat	Subbase	Predominate Features
8403-019	8404-012	1 stage cool, 2 stage heat
T874C1760	Q674A1001	System: heat-auto-cool Fan: on-auto
8403-002	8404-003	1 stage heat, 1 stage cool
T87F3111	Q539A1220	System: heat-off-cool Fan: on-auto
8403-009	----	1 stage heat, 1 stage cool
1F56-318		

FIGURE 3

LOW VOLTAGE WIRING



REMOVE JUMPER FOR 2 STAGE ELECTRIC HEAT ON UNITS WITH 15 OR MORE KW



OPTIONAL ALARM RELAY PROVIDED ON UNITS WITH CONTROL MODULE "M" OR "J" INSTALLED. CONTACT RATING 24VAC @ 125VA



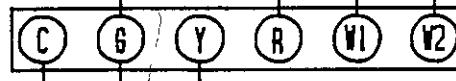
OPTIONAL MOTORIZED FRESH AIR DAMPER SUGGESTED HOOK UP

OPTIONAL ECONOMIZER LOW VOLTAGE WIRING

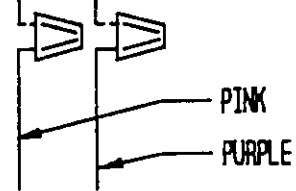
T874D1934
Q674A1001
THERMOSTAT



UNIT 24V
TERMINAL STRIP



ECONOMIZER WIRING
HARNESS



PART 3 -- START-UP

IMPORTANT INSTALLER NOTE

For improved start-up performance, wash the indoor coil with a dishwasher detergent.

CRANKCASE HEATERS

All units are provided with some form of compressor crankcase heat.

All single and three phase models have an insertion well-type heater located in the lower section of the compressor housing. This is a self-regulating type heater that draws only enough power to maintain the compressor at a safe temperature.

Some form of crankcase heat is essential to prevent liquid refrigerant from migrating to the compressor, causing oil pump out on compressor start-up and possible valve failure due to compressing a liquid.

The decal in Figure 4 is affixed to all outdoor units detailing start-up procedure. This is very important. Please read carefully.

FIGURE 4

IMPORTANT

THESE PROCEDURES MUST BE FOLLOWED AT INITIAL START-UP AND AT ANY TIME POWER HAS BEEN REMOVED FOR 12 HOURS OR LONGER.

TO PREVENT COMPRESSOR DAMAGE WHICH MAY RESULT FROM THE PRESENCE OF LIQUID REFRIGERANT IN THE COMPRESSOR CRANKCASE

1. MAKE CERTAIN THE ROOM THERMOSTAT IS IN THE "OFF" POSITION (THE COMPRESSOR IS NOT TO OPERATE).
2. APPLY POWER BY CLOSING THE SYSTEM DISCONNECT SWITCH. THIS ENERGIZES THE COMPRESSOR HEATER WHICH EVAPORATES THE LIQUID REFRIGERANT IN THE CRANKCASE.
3. ALLOW 4 HOURS OR 60 MINUTES PER POUND OF REFRIGERANT IN THE SYSTEM AS NOTED ON THE UNIT RATING PLATE, WHICHEVER IS GREATER.
4. AFTER PROPERLY ELAPSED TIME THE THERMOSTAT MAY BE SET TO OPERATE THE COMPRESSOR.
5. EXCEPT AS REQUIRED FOR SAFETY WHILE SERVICING — DO NOT OPEN SYSTEM DISCONNECT SWITCH.

7961-061

SERVICE HINTS

1. Caution homeowner to maintain clean air filters at all times. Also, not to needlessly close off supply and return air registers. This reduces air flow through the system, which shortens equipment service life as well as increasing operating costs.
2. Switching to heating cycle at 75°F or higher outside temperature may cause a nuisance trip of the remote reset high pressure switch. Turn thermostat off, then on to reset the high pressure switch.
3. The heat pump wall thermostats perform multiple functions. Be sure that all function switches are correctly set for the desired operating mode before trying to diagnose any reported service problems.
4. Check all power fuses or circuit breakers to be sure they are the correct rating.
5. Periodic cleaning of the outdoor coil to permit full and unrestricted airflow circulation is essential.

SEQUENCE OF OPERATION

COOLING--Circuit R-Y makes at thermostat pulling in compressor contactor, starting the compressor and outdoor motor. The G (indoor motor) circuit is automatically completed on any call for cooling operation or can be energized by manual fan switch on subbase for constant air circulation. On a call for heating, circuit R-W1 makes at the thermostat pulling in heat contact for the strip heat and blower operation. On a call for second stage heat, R-W2 makes bringing on second heat contactor, if so equipped.

PRESSURE SERVICE PORTS

High and low pressure service ports are installed on all units so that the system operating pressures can be observed. Pressure curves can be found later in the manual covering all models. It is imperative to match the correct pressure curve to the unit by model number.

PART 4 -- TROUBLESHOOTING

FAN BLADE SETTING DIMENSIONS

Shown in the drawing below are the correct fan blade setting dimensions for proper air delivery across the outdoor coil.

Any service work requiring removal or adjustment in the fan and/or motor area will require that the dimensions below be checked and blade adjusted in or out on the motor shaft accordingly.

FIGURE 5

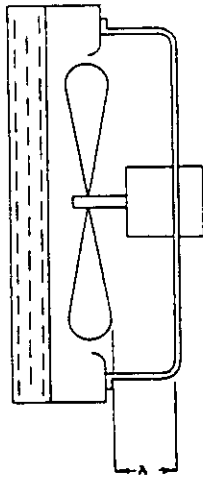


TABLE 4

Model	Dimension A
WA301	1.25
WA361	

REMOVAL OF THE FAN SHROUD

1. Disconnect all power to unit.
2. Remove the screws holding both grills--one on each side of unit--and remove grills.
3. Remove screws holding fan shroud to condenser and bottom. (9) screws.
4. Unwire condenser fan motor.
5. Slide complete motor, fan blade, and shroud assembly out the left side of the unit.
6. Service motor/fan as needed.
7. Reverse steps to reinstall.

REFRIGERANT CHARGE

The correct system R-22 charge is shown on the unit rating plate. Optimum unit performance will occur with a refrigerant charge resulting in a suction line temperature (6" from compressor) as shown in the following table:

TABLE 5

Model	Rated Airflow	95° F OD Temperature	82° F OD Temperature
WA301	1100	55 - 57	64 - 66
WA361	1100	57 - 59	62 - 64

The above suction line temperatures are based upon 80° F dry/bulb/67°F wet bulb (50 percent R.H.) temperature and rated airflow across the evaporator during cooling cycle.

TABLE 6 INDOOR BLOWER PERFORMANCE--CFM @ 230V

E.S.P. In H2O	WA301, WA361	
	Lo 230V Dry/Wet Coil	Hi 230V Dry/Wet Coil
.0	950 / 935	1395 / 1315
.1	930 / 915	1340 / 1270
.2	910 / 885	1285 / 1190
.3	855 / 830	1205 / 1100
.4	800 / 755	1110 / 1000
.5	---	1005 / 870

TABLE 7

Model	Rated CFM*	Rated ESP*	Recommended Airflow Range
WA301	1100	.30	930 - 1300
WA361	1100	.30	930 - 1350

*Rated CFM and ESP on high speed tap.

TABLE 8 MAXIMUM ESP OF OPERATION--ELECTRIC HEAT ONLY

Model	Front Outlet		Top Outlet	
	Low Speed	High Speed	Low Speed	High Speed
A00	.50	.50	.50	.50
WA301 A05	.50	.50	.45	.50
WA361 A08	.50	.50	NA	NA
A10	.45	.50	.35	.50
A15	.35	.40	NA	NA
B00	.50	.50	.50	.50
WA301 B06	.40	.50	NA	NA
WA361 B09	.50	.50	.40	.45
B15	.30	.45	NA	NA
C00	.50	.50	.50	.50
WA301 C06	.50	.50	NA	NA
WA361 C09	.40	.50	.40	.45
C15	.35	.45	NA	NA

Values shown are for units equipped with STD 1" throw-away filter or 1" washable filter. Derate ESP by .15 for 2" pleated filters.

TABLE 9

COOLING

Air Temperature Entering Outdoor Coil °F

Model	Return Air Temperature	Pressure	°	°	°	°	°	°	°	°	°
			75	80	85	90	95	100	105	110	115
WA301	75 deg. DB	Low Side	74	77	79	81	82	84	85	85	86
	62 deg. WB	High Side	218	232	247	262	277	292	308	325	341
	80 deg. DB	Low Side	80	82	84	86	88	89	91	91	92
	67 deg. WB	High Side	223	238	253	268	284	300	316	333	350
	85 deg. DB	Low Side	85	88	91	93	95	96	97	98	99
	72 deg. WB	High Side	231	246	262	278	294	310	327	345	362
WA361	75 deg. DB	Low Side	70	72	74	76	78	79	80	81	82
	62 deg. WB	High Side	224	242	259	275	290	304	316	328	339
	80 deg. DB	Low Side	75	77	79	81	83	85	86	87	88
	67 deg. WB	High Side	229	248	265	282	297	311	325	337	348
	85 deg. DB	Low Side	80	83	85	87	89	91	92	94	95
	72 deg. WB	High Side	238	257	275	292	307	322	336	349	360

Low side pressure + 2 PSIG

High side pressure + 5 PSIG

Tables are based upon rated CFM (airflow) across the evaporator coil and should be found under section titled "Refrigerant Charge" elsewhere in manual. If there is any doubt as to correct operating charge being in the system, the charge should be removed, system evacuated, and recharged to serial plate instructions.

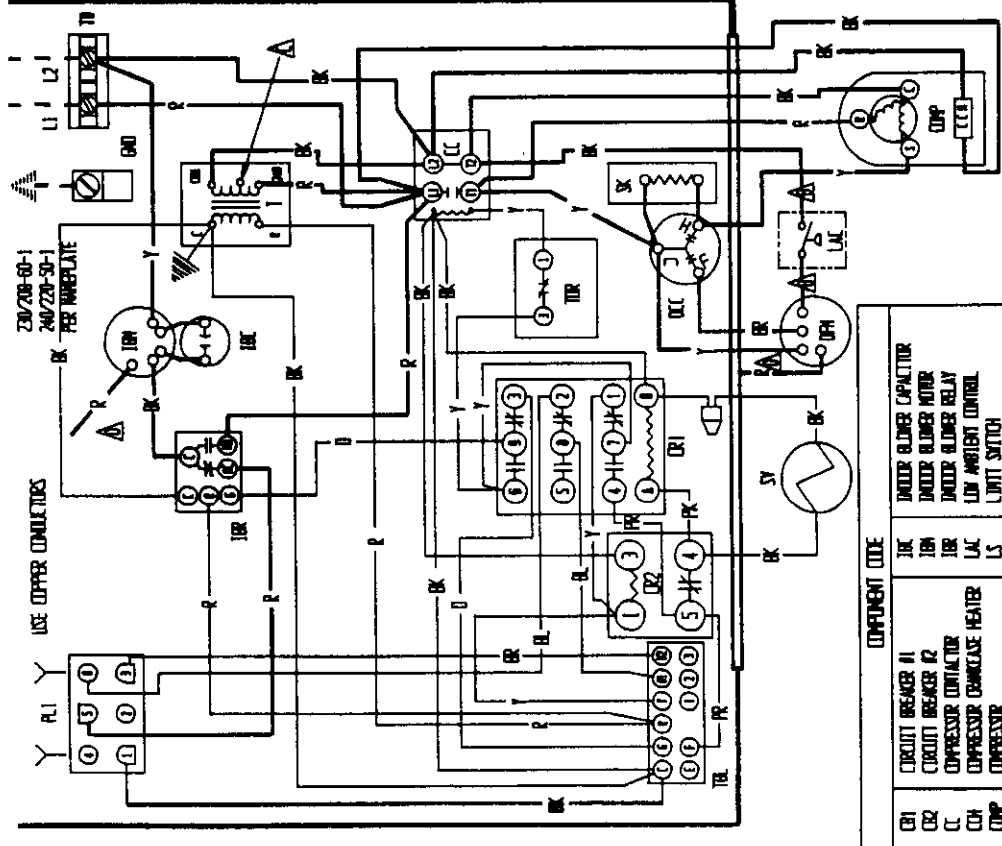
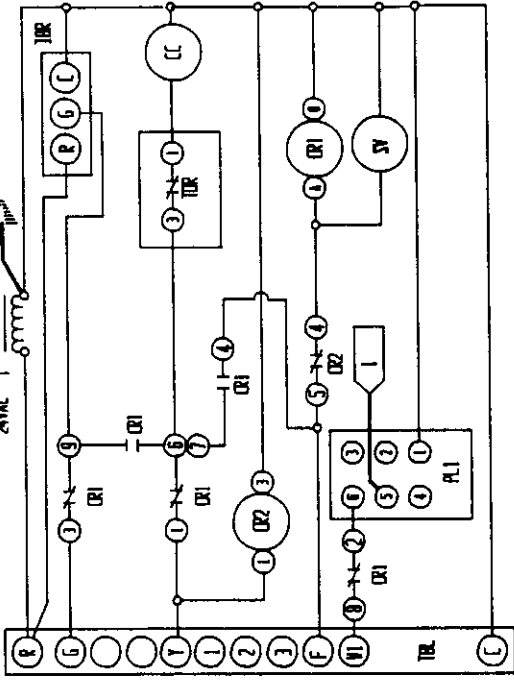
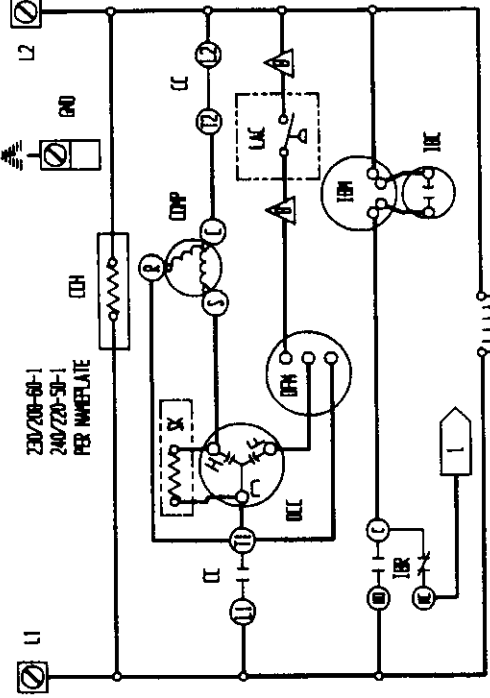
TABLE 10

OPTIONAL ACCESSORIES

Model	Description	W	W	W	W	W	W
		A	A	A	A	A	A
		3	3	3	6	6	6
		0	0	0	1	1	1
		1	1	1	-	-	-
		-	-	-	A	B	C
EHWA03-A05	Heater Packages (1)	X			X		
EHWA03-A08	Heater Packages (1)	X			X		
EHWA03-A10	Heater Packages (1)	X			X		
EHWA03-A15	Heater Packages (1)	X			X		
EHWA03-B06	Heater Packages (1)		X			X	
EHWA03-B09	Heater Packages (1)		X			X	
EHWA03-B15	Heater Packages (1)		X			X	
EHWA03-C06	Heater Packages (1)			X			X
EHWA03-C09	Heater Packages (1)			X			X
EHWA03-C12	Heater Packages (1)						X
EHWA03-C15	Heater Packages (1)			X			X
BOF-3	Blank Off Plate	X	X	X	X	X	X
BFAD-3	Barometric Fresh Air Damper	X	X	X	X	X	X
MFAD-3	Motorized Fresh Air Damper	X	X	X	X	X	X
CRV-3	Commercial Ventilator with Exhaust	X	X	X	X	X	X
EIEM-3	Economizer with Exhaust	X	X	X	X	X	X
CMA-1	High Pressure Control (HPC)	X	X	X	X	X	X
CMA-2	Low Pressure Control (LPC)	X	X	X	X	X	X
CMA-4	Low and High Pressure Control	X	X	X	X	X	X
CMA-5	Time Delay Relay (TDR)	X	X	X	X	X	X
CMA-6	Low Ambient Control (LAC)	X	X		X	X	
CMA-8	TDR + HPC	X	X	X	X	X	X
CMA-10	LPC + HPC + TDR	X	X	X	X	X	X
CMA-11	LPC + HPC + LAC	X	X		X	X	
CMA-12	LAC + TDR	X	X		X	X	
CMA-13	LPC + HPC + TDR + LAC	X	X		X	X	
CMC-15	Start Kit	X			X		
WMCB-05A	Circuit Breaker Kit	X			X		
WMCB-02B	Circuit Breaker Kit		X				
WMPD-01C	Pull Disconnect Kit			X			X
WMCB-03B	Circuit Breaker Kit					X	

(1) These heater packages not suitable for installation in top outlet units.

NOTE: Top outlet models are available only as factory built.



RED (LOW) BLACK (HIGH) WIRE APPLICABLE

MOVE RED WIRE TO 200V TAP FOR 200V OPERATION

LABELLED WIRES CONNECT IF NO OPTIONS USED.

COLOR CODE		TAP	
Y	YELLOW	I	1
G	GREEN	PK	PK
B	BLUE	BL	BL
O	ORANGE	OR	OR
W	WHITE	W	W
V	VIOLET	V	V
P	PINK	P	P
L	LAVENDER	L	L

FACTORY STD.	FIELD	OPTIONAL
---	---	---
---	---	---
---	---	---
---	---	---
---	---	---

HIGH VOLTAGE ACCESSORY

LOW VOLTAGE ACCESSORY

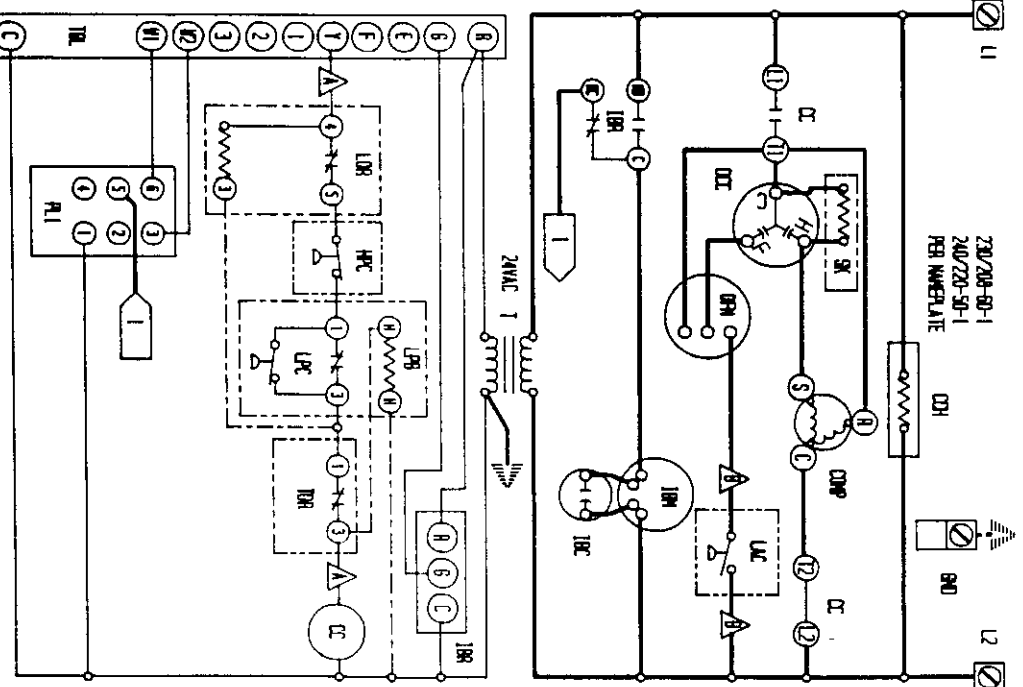
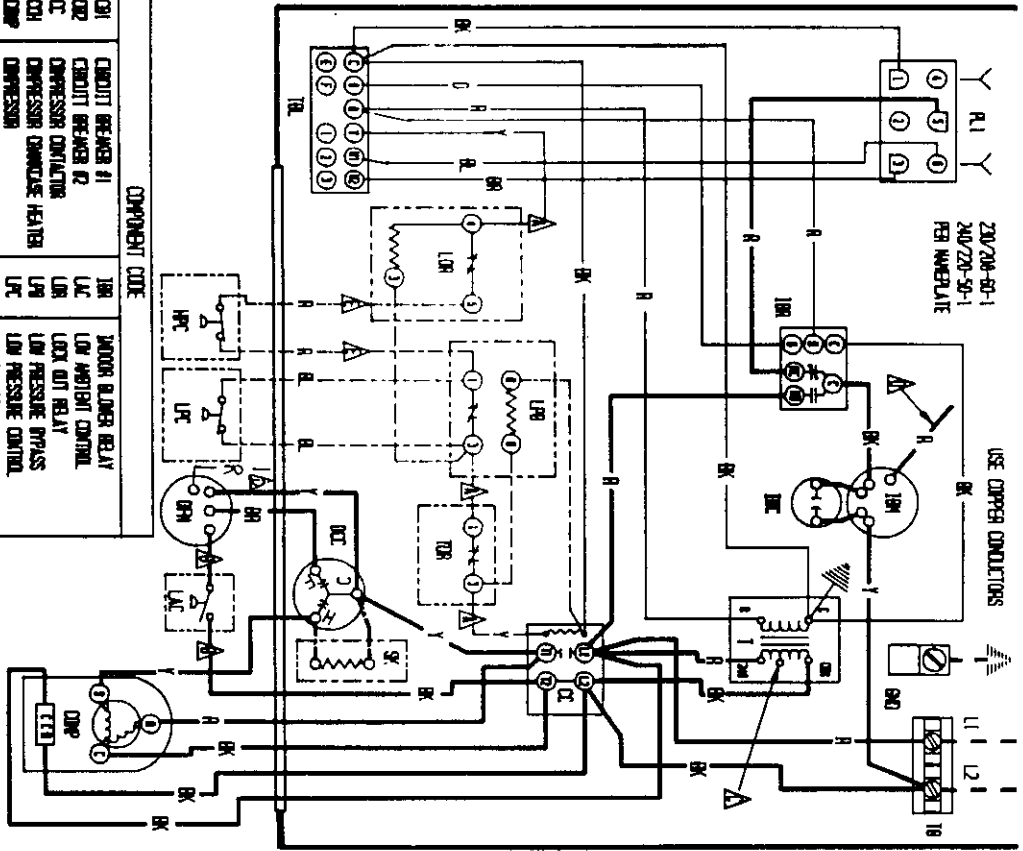
BARCO MFG. CO.

TIME: 118 A

ORN: DCC

CHK./APPR.:

COMPONENT CODE	DESCRIPTION
CR1	CIRCUIT BREAKER #1
CR2	CIRCUIT BREAKER #2
CC	COMPRESSOR CONTACTOR
CH	COMPRESSOR CHARGE HEATER
COMP	COMPRESSOR
CR1	CONTROL RELAY 1
CR2	CONTROL RELAY 2
DCC	DUAL CAN CAPACITOR
GRD	EQUIPMENT GROUND
H1	HEAT STRIP #1
H2	HEAT STRIP #2
HC1	HEATER CONTACTOR #1
HC2	HEATER CONTACTOR #2
IPC	HIGH PRESSURE CONTROL
IRK	INDOOR BLOWER CAPACITOR
IRM	INDOOR BLOWER MOTOR
IRL	INDOOR BLOWER RELAY
LAC	LOW AMBIENT CONTROL
LS	LIMIT SWITCH
DFM	OUTDOOR FAN MOTOR
PL1	PLUS #1
SV	SOLENOID VALVE
SK	START KIT
TR	TRANSFORMER
TR1	TERMINAL BLOCK
TR2	LOW VOLTAGE TERMINAL BLOCK
TRC	THERMAL CUTOFF
TRD	THERMAL DELAY RELAY



COMPONENT	CODE
CIRCUIT BREAKER #1	CB
CIRCUIT BREAKER #2	CB
COMPRESSOR CONTACTOR	COP
COMPRESSOR OVERCURE HEATER	CH
INDOOR BLOWER RELAY	IBR
LOW AMBIENT CONTROL	LAC
LOCK OUT RELAY	LOR
LOW PRESSURE DRYASS	LFD
LOW PRESSURE CONTROL	LPC
LIMIT SWITCH	LS
INDOOR FAN MOTOR	IFM
FLUE #1	FL1
START KIT	SK
TEMPERATURE	T
TERMINAL BLOCK	TB
LOW VOLTAGE TERMINAL BLOCK	TB
INTERNAL CIRCUIT	TR
TIME DELAY RELAY	TR

WIRE COLOR CODE

WIRE COLOR	FIELD	OPTIONAL
BLACK	---	---
BROWN	---	---
RED	---	---
ORANGE	---	---
YELLOW	---	---
GREEN (FM)	---	---
BLUE	---	---
SLATE	---	---
VIOLET	---	---
GRAY	---	---
SLATE	---	---
PINK	---	---
LAMP	---	---
PINK	---	---
LAMP	---	---
ORANGE	---	---
ORANGE	---	---

WIRE SIZE

WIRE SIZE	FIELD	OPTIONAL
14	---	---
12	---	---
10	---	---
8	---	---
6	---	---
4	---	---
3	---	---
2	---	---
1	---	---

WIRE TYPE

WIRE TYPE	FIELD	OPTIONAL
THIN	---	---
THICK	---	---
THIN	---	---
THICK	---	---

WIRE MARKING

WIRE MARKING	FIELD	OPTIONAL
1/2"	---	---
3/8"	---	---
1/4"	---	---
3/16"	---	---
1/8"	---	---

WIRE CONNECTIONS

WIRE CONNECTION	FIELD	OPTIONAL
1	---	---
2	---	---
3	---	---
4	---	---
5	---	---
6	---	---
7	---	---
8	---	---
9	---	---
10	---	---
11	---	---
12	---	---
13	---	---
14	---	---
15	---	---
16	---	---
17	---	---
18	---	---
19	---	---
20	---	---
21	---	---
22	---	---
23	---	---
24	---	---
25	---	---
26	---	---
27	---	---
28	---	---
29	---	---
30	---	---
31	---	---
32	---	---
33	---	---
34	---	---
35	---	---
36	---	---
37	---	---
38	---	---
39	---	---
40	---	---
41	---	---
42	---	---
43	---	---
44	---	---
45	---	---
46	---	---
47	---	---
48	---	---
49	---	---
50	---	---

WIRE COLOR CODE

WIRE SIZE

WIRE TYPE

WIRE MARKING

WIRE CONNECTIONS

WIRE COLOR CODE

WIRE SIZE

WIRE TYPE

WIRE MARKING

WIRE CONNECTIONS

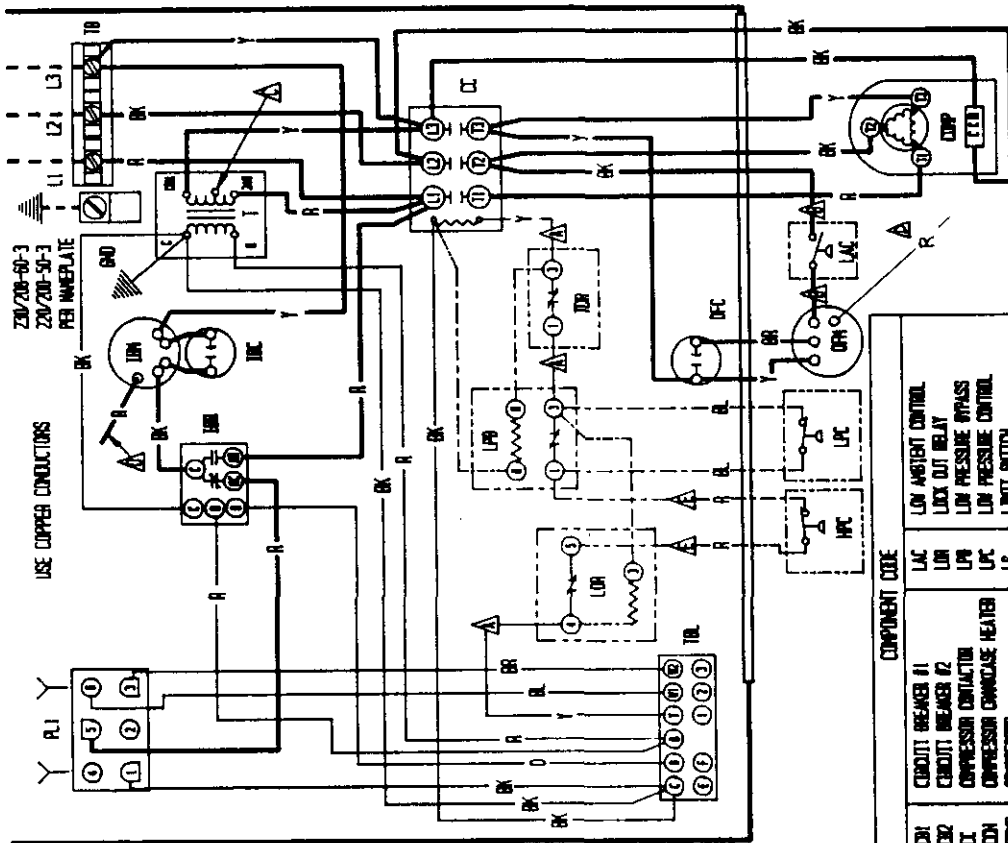
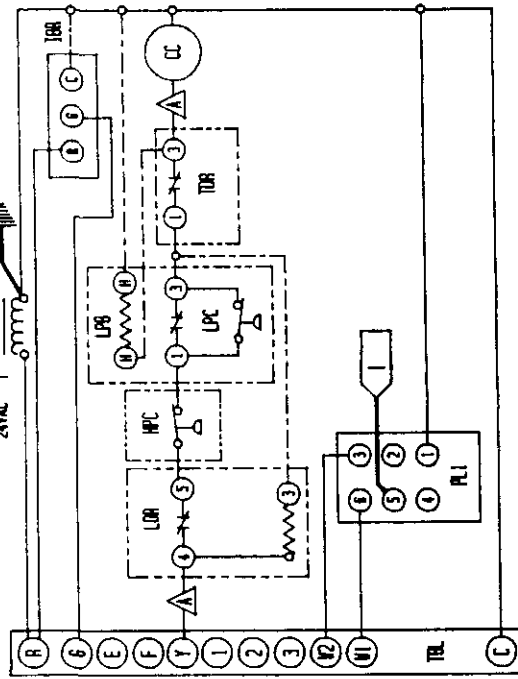
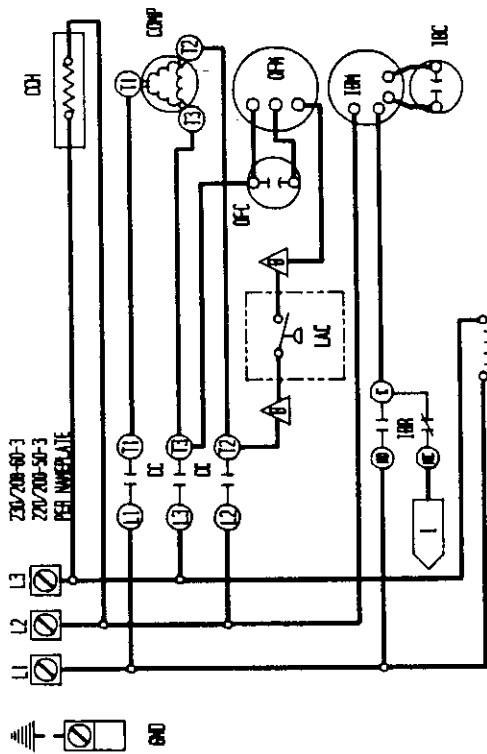
WIRE COLOR CODE

WIRE SIZE

WIRE TYPE

WIRE MARKING

WIRE CONNECTIONS



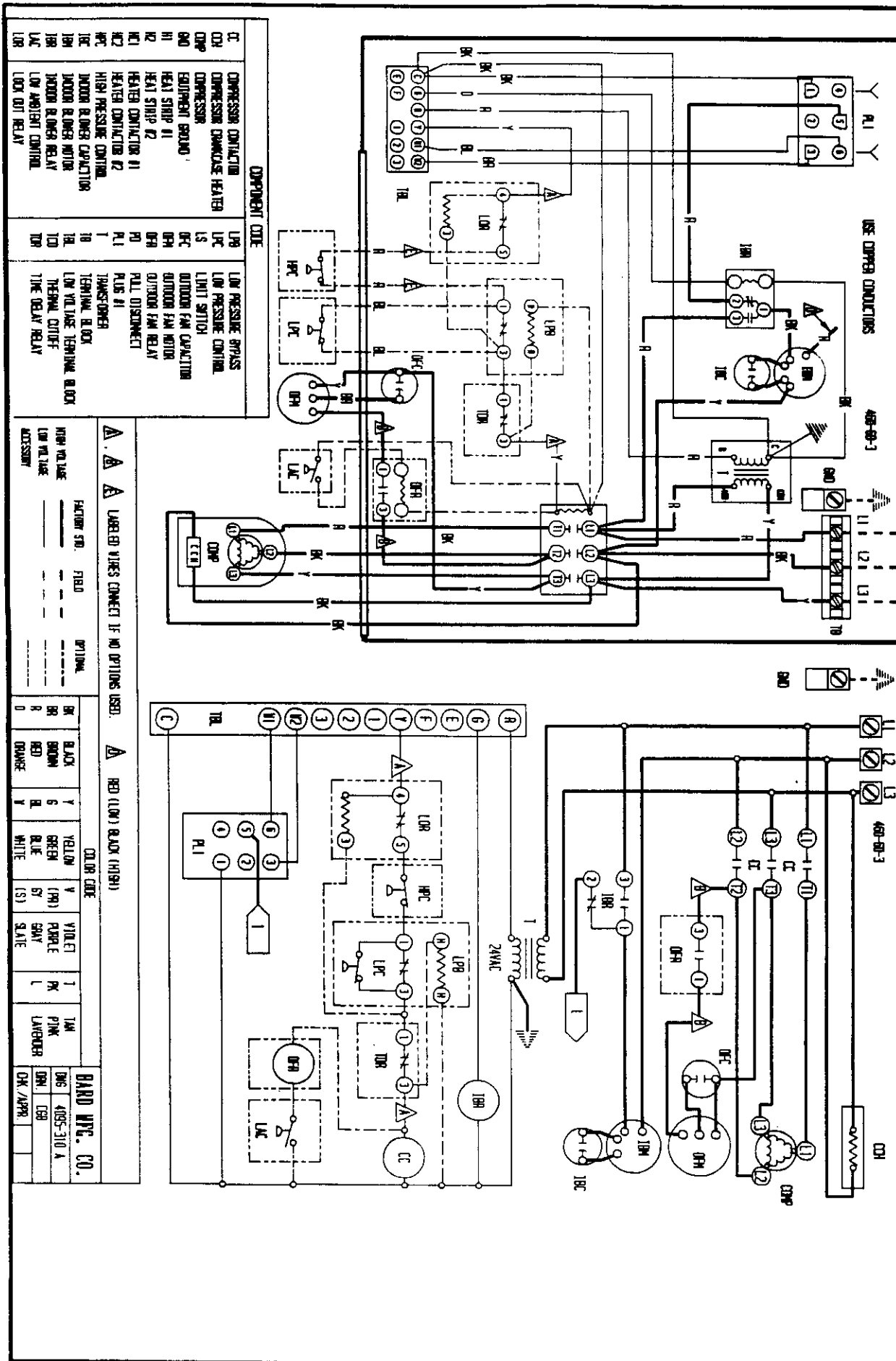
RED (LOAD BLACK (MUCH) WIRE APPLICABLE

▲ ▲ Labeled wires connect if no options used. ▲ WIRE RED WIRE TO 24VAC TAP FOR 200V OPERATION ▲

FACTORY WIRE		FIELD		OPTIONAL	
FROM VALVE	TO VALVE	FROM VALVE	TO VALVE	FROM VALVE	TO VALVE
BLACK	RED	BLACK	RED	BLACK	RED
GREEN	BLUE	GREEN	BLUE	GREEN	BLUE
YELLOW	ORANGE	YELLOW	ORANGE	YELLOW	ORANGE
VIOLET	GRAY	VIOLET	GRAY	VIOLET	GRAY
PINK	SLATE	PINK	SLATE	PINK	SLATE
LAMP	LABOURER	LAMP	LABOURER	LAMP	LABOURER

COMPONENT CODE	
COMPRESSOR CONTACTOR #1	LAC
COMPRESSOR CONTACTOR #2	LOR
COMPRESSOR CONTACTOR #3	LPR
COMPRESSOR CONTACTOR #4	LPS
COMPRESSOR CONTACTOR #5	LFC
COMPRESSOR CONTACTOR #6	LFC
COMPRESSOR CONTACTOR #7	LFC
COMPRESSOR CONTACTOR #8	LFC
COMPRESSOR CONTACTOR #9	LFC
COMPRESSOR CONTACTOR #10	LFC
COMPRESSOR CONTACTOR #11	LFC
COMPRESSOR CONTACTOR #12	LFC
COMPRESSOR CONTACTOR #13	LFC
COMPRESSOR CONTACTOR #14	LFC
COMPRESSOR CONTACTOR #15	LFC
COMPRESSOR CONTACTOR #16	LFC
COMPRESSOR CONTACTOR #17	LFC
COMPRESSOR CONTACTOR #18	LFC
COMPRESSOR CONTACTOR #19	LFC
COMPRESSOR CONTACTOR #20	LFC
COMPRESSOR CONTACTOR #21	LFC
COMPRESSOR CONTACTOR #22	LFC
COMPRESSOR CONTACTOR #23	LFC
COMPRESSOR CONTACTOR #24	LFC
COMPRESSOR CONTACTOR #25	LFC
COMPRESSOR CONTACTOR #26	LFC
COMPRESSOR CONTACTOR #27	LFC
COMPRESSOR CONTACTOR #28	LFC
COMPRESSOR CONTACTOR #29	LFC
COMPRESSOR CONTACTOR #30	LFC
COMPRESSOR CONTACTOR #31	LFC
COMPRESSOR CONTACTOR #32	LFC
COMPRESSOR CONTACTOR #33	LFC
COMPRESSOR CONTACTOR #34	LFC
COMPRESSOR CONTACTOR #35	LFC
COMPRESSOR CONTACTOR #36	LFC
COMPRESSOR CONTACTOR #37	LFC
COMPRESSOR CONTACTOR #38	LFC
COMPRESSOR CONTACTOR #39	LFC
COMPRESSOR CONTACTOR #40	LFC
COMPRESSOR CONTACTOR #41	LFC
COMPRESSOR CONTACTOR #42	LFC
COMPRESSOR CONTACTOR #43	LFC
COMPRESSOR CONTACTOR #44	LFC
COMPRESSOR CONTACTOR #45	LFC
COMPRESSOR CONTACTOR #46	LFC
COMPRESSOR CONTACTOR #47	LFC
COMPRESSOR CONTACTOR #48	LFC
COMPRESSOR CONTACTOR #49	LFC
COMPRESSOR CONTACTOR #50	LFC
COMPRESSOR CONTACTOR #51	LFC
COMPRESSOR CONTACTOR #52	LFC
COMPRESSOR CONTACTOR #53	LFC
COMPRESSOR CONTACTOR #54	LFC
COMPRESSOR CONTACTOR #55	LFC
COMPRESSOR CONTACTOR #56	LFC
COMPRESSOR CONTACTOR #57	LFC
COMPRESSOR CONTACTOR #58	LFC
COMPRESSOR CONTACTOR #59	LFC
COMPRESSOR CONTACTOR #60	LFC
COMPRESSOR CONTACTOR #61	LFC
COMPRESSOR CONTACTOR #62	LFC
COMPRESSOR CONTACTOR #63	LFC
COMPRESSOR CONTACTOR #64	LFC
COMPRESSOR CONTACTOR #65	LFC
COMPRESSOR CONTACTOR #66	LFC
COMPRESSOR CONTACTOR #67	LFC
COMPRESSOR CONTACTOR #68	LFC
COMPRESSOR CONTACTOR #69	LFC
COMPRESSOR CONTACTOR #70	LFC
COMPRESSOR CONTACTOR #71	LFC
COMPRESSOR CONTACTOR #72	LFC
COMPRESSOR CONTACTOR #73	LFC
COMPRESSOR CONTACTOR #74	LFC
COMPRESSOR CONTACTOR #75	LFC
COMPRESSOR CONTACTOR #76	LFC
COMPRESSOR CONTACTOR #77	LFC
COMPRESSOR CONTACTOR #78	LFC
COMPRESSOR CONTACTOR #79	LFC
COMPRESSOR CONTACTOR #80	LFC
COMPRESSOR CONTACTOR #81	LFC
COMPRESSOR CONTACTOR #82	LFC
COMPRESSOR CONTACTOR #83	LFC
COMPRESSOR CONTACTOR #84	LFC
COMPRESSOR CONTACTOR #85	LFC
COMPRESSOR CONTACTOR #86	LFC
COMPRESSOR CONTACTOR #87	LFC
COMPRESSOR CONTACTOR #88	LFC
COMPRESSOR CONTACTOR #89	LFC
COMPRESSOR CONTACTOR #90	LFC
COMPRESSOR CONTACTOR #91	LFC
COMPRESSOR CONTACTOR #92	LFC
COMPRESSOR CONTACTOR #93	LFC
COMPRESSOR CONTACTOR #94	LFC
COMPRESSOR CONTACTOR #95	LFC
COMPRESSOR CONTACTOR #96	LFC
COMPRESSOR CONTACTOR #97	LFC
COMPRESSOR CONTACTOR #98	LFC
COMPRESSOR CONTACTOR #99	LFC
COMPRESSOR CONTACTOR #100	LFC

BARD MFC. CO.	
DATE	485-210 C
REV	10N
CHK	10N
APP	10N



COMPONENT CODE

IC	COMPRESSOR CONTACTOR
CD	COMPRESSOR CONTACTOR HEATER
DDP	COMPRESSOR
SD	EQUIPMENT BOARD
HI	HEAT STRIP #1
H2	HEAT STRIP #2
HC1	HEATER CONTACTOR #1
HC2	HEATER CONTACTOR #2
WPC	HIGH PRESSURE CONTROL
IPC	INDOOR BLOWER CAPACITOR
IBR	INDOOR BLOWER MOTOR
LAC	INDOOR BLOWER RELAY
LOR	LOW AMBIENT CONTROL
LOR	LOW OUT RELAY

LPH	LOW PRESSURE BYPASS
LPC	LOW PRESSURE CONTROL
LS	LIMIT SWITCH
OC	OUTDOOR FAN CAPACITOR
OH	OUTDOOR FAN MOTOR
OR	OUTDOOR FAN RELAY
FD	FULL DISCONNECT
FI	FUS #1
T	TRANSFORMER
TR	TEMPERATURE BLOCK
TD	LOW VOLTAGE TERMINAL BLOCK
TC	THERMAL CONTROL
TR	TIME DELAY RELAY

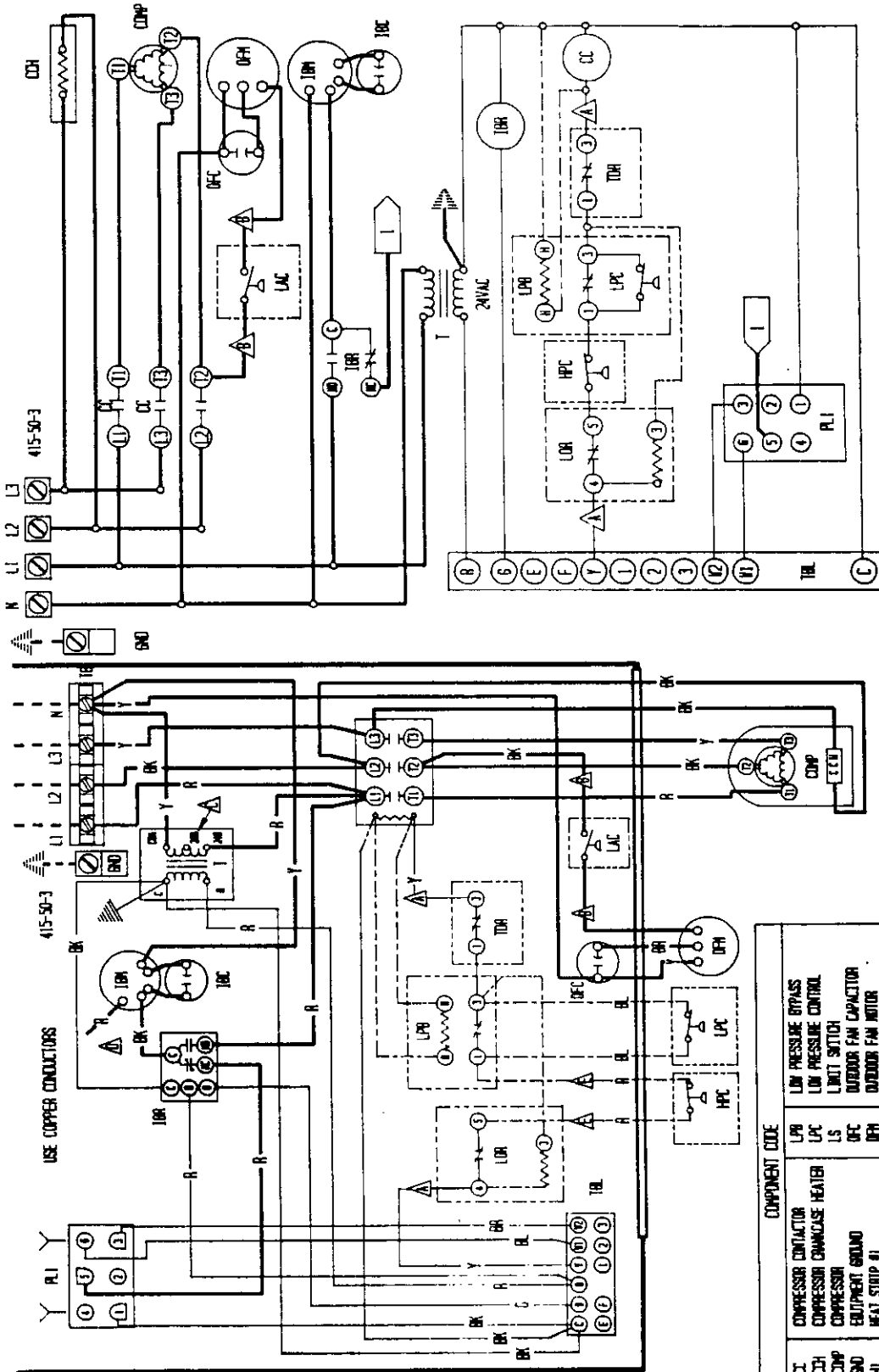
WIRE CONNECTIONS

▲ LABELLED WIRES CONNECT IF NO OPTIONS USED. ▲ RED (LOW) BLACK (HIGH)

FACTORY STR.	FIELD	OPTIONAL
HIGH VOLTAGE	---	---
LOW VOLTAGE	---	---
ACCESSORY	---	---

COLOR CODE	
BLACK	Y
BROWN	6
RED	BL
BROWN	Y
YELLOW	Y
GREEN	(FM)
BLUE	BY
WHITE	(S)
VIOLET	PK
POURPLE	L
GRAY	PK
SLATE	L

BAND WPC. CO.	
DWG.	4005-310-A
CR.	CB
CHK. APPR.	



COMPONENT CODE		COLOR CODE	
CC	COMPRESSOR CONTACTOR	BR	BLACK
CD	CONDENSER FAN MOTOR	GR	BROWN
CFM	CONDENSER FAN MOTOR	RD	RED
CU	EQUIPMENT GROUND	OR	ORANGE
FI	HEAT STOP #1	Y	YELLOW
FI2	HEAT STOP #2	GN	GREEN
FI3	HEAT STOP #3	PR	PURPLE
HC1	HEATER CONTACTOR #1	VT	VIOLET
HC2	HEATER CONTACTOR #2	PL	PINK
IPC	INDOOR PRESSURE CONTROL	PK	PURPLE
IBL	INDOOR BLOWER MOTOR	PP	PINK
IFM	INDOOR FAN MOTOR	PL	PINK
LAC	LOW AMBIENT CONTROL	LV	LAVENDER
LOR	LOCK OUT RELAY	LT	LAVENDER
LPC	LOW PRESSURE CONTROL	W	WHITE
LPS	LOW PRESSURE SWITCH	BL	BLUE
LSC	LOW VOLTAGE CAPACITOR	BL	BLUE
LSE	LOW VOLTAGE SWITCH	GR	GRAY
LS	LIMIT SWITCH	ST	STEEL
OFM	OUTDOOR FAN MOTOR	SI	SLATE
OFM2	OUTDOOR FAN MOTOR	SI	SLATE
OD	PULL OUT DISCONNECT	SI	SLATE
PI	PLUS #1	SI	SLATE
PL1	TRANSFORMER	SI	SLATE
T	TEMPERATURE BLOCK	SI	SLATE
TB	TEMPERATURE BLOCK	SI	SLATE
TB1	TEMPERATURE BLOCK	SI	SLATE
TB2	TEMPERATURE BLOCK	SI	SLATE
TB3	TEMPERATURE BLOCK	SI	SLATE
TB4	TEMPERATURE BLOCK	SI	SLATE
TB5	TEMPERATURE BLOCK	SI	SLATE
TB6	TEMPERATURE BLOCK	SI	SLATE
TB7	TEMPERATURE BLOCK	SI	SLATE
TB8	TEMPERATURE BLOCK	SI	SLATE
TB9	TEMPERATURE BLOCK	SI	SLATE
TB10	TEMPERATURE BLOCK	SI	SLATE
TB11	TEMPERATURE BLOCK	SI	SLATE
TB12	TEMPERATURE BLOCK	SI	SLATE
TB13	TEMPERATURE BLOCK	SI	SLATE
TB14	TEMPERATURE BLOCK	SI	SLATE
TB15	TEMPERATURE BLOCK	SI	SLATE
TB16	TEMPERATURE BLOCK	SI	SLATE
TB17	TEMPERATURE BLOCK	SI	SLATE
TB18	TEMPERATURE BLOCK	SI	SLATE
TB19	TEMPERATURE BLOCK	SI	SLATE
TB20	TEMPERATURE BLOCK	SI	SLATE
TB21	TEMPERATURE BLOCK	SI	SLATE
TB22	TEMPERATURE BLOCK	SI	SLATE
TB23	TEMPERATURE BLOCK	SI	SLATE
TB24	TEMPERATURE BLOCK	SI	SLATE
TB25	TEMPERATURE BLOCK	SI	SLATE
TB26	TEMPERATURE BLOCK	SI	SLATE
TB27	TEMPERATURE BLOCK	SI	SLATE
TB28	TEMPERATURE BLOCK	SI	SLATE
TB29	TEMPERATURE BLOCK	SI	SLATE
TB30	TEMPERATURE BLOCK	SI	SLATE
TB31	TEMPERATURE BLOCK	SI	SLATE
TB32	TEMPERATURE BLOCK	SI	SLATE
TB33	TEMPERATURE BLOCK	SI	SLATE
TB34	TEMPERATURE BLOCK	SI	SLATE
TB35	TEMPERATURE BLOCK	SI	SLATE
TB36	TEMPERATURE BLOCK	SI	SLATE
TB37	TEMPERATURE BLOCK	SI	SLATE
TB38	TEMPERATURE BLOCK	SI	SLATE
TB39	TEMPERATURE BLOCK	SI	SLATE
TB40	TEMPERATURE BLOCK	SI	SLATE
TB41	TEMPERATURE BLOCK	SI	SLATE
TB42	TEMPERATURE BLOCK	SI	SLATE
TB43	TEMPERATURE BLOCK	SI	SLATE
TB44	TEMPERATURE BLOCK	SI	SLATE
TB45	TEMPERATURE BLOCK	SI	SLATE
TB46	TEMPERATURE BLOCK	SI	SLATE
TB47	TEMPERATURE BLOCK	SI	SLATE
TB48	TEMPERATURE BLOCK	SI	SLATE
TB49	TEMPERATURE BLOCK	SI	SLATE
TB50	TEMPERATURE BLOCK	SI	SLATE
TB51	TEMPERATURE BLOCK	SI	SLATE
TB52	TEMPERATURE BLOCK	SI	SLATE
TB53	TEMPERATURE BLOCK	SI	SLATE
TB54	TEMPERATURE BLOCK	SI	SLATE
TB55	TEMPERATURE BLOCK	SI	SLATE
TB56	TEMPERATURE BLOCK	SI	SLATE
TB57	TEMPERATURE BLOCK	SI	SLATE
TB58	TEMPERATURE BLOCK	SI	SLATE
TB59	TEMPERATURE BLOCK	SI	SLATE
TB60	TEMPERATURE BLOCK	SI	SLATE
TB61	TEMPERATURE BLOCK	SI	SLATE
TB62	TEMPERATURE BLOCK	SI	SLATE
TB63	TEMPERATURE BLOCK	SI	SLATE
TB64	TEMPERATURE BLOCK	SI	SLATE
TB65	TEMPERATURE BLOCK	SI	SLATE
TB66	TEMPERATURE BLOCK	SI	SLATE
TB67	TEMPERATURE BLOCK	SI	SLATE
TB68	TEMPERATURE BLOCK	SI	SLATE
TB69	TEMPERATURE BLOCK	SI	SLATE
TB70	TEMPERATURE BLOCK	SI	SLATE
TB71	TEMPERATURE BLOCK	SI	SLATE
TB72	TEMPERATURE BLOCK	SI	SLATE
TB73	TEMPERATURE BLOCK	SI	SLATE
TB74	TEMPERATURE BLOCK	SI	SLATE
TB75	TEMPERATURE BLOCK	SI	SLATE
TB76	TEMPERATURE BLOCK	SI	SLATE
TB77	TEMPERATURE BLOCK	SI	SLATE
TB78	TEMPERATURE BLOCK	SI	SLATE
TB79	TEMPERATURE BLOCK	SI	SLATE
TB80	TEMPERATURE BLOCK	SI	SLATE
TB81	TEMPERATURE BLOCK	SI	SLATE
TB82	TEMPERATURE BLOCK	SI	SLATE
TB83	TEMPERATURE BLOCK	SI	SLATE
TB84	TEMPERATURE BLOCK	SI	SLATE
TB85	TEMPERATURE BLOCK	SI	SLATE
TB86	TEMPERATURE BLOCK	SI	SLATE
TB87	TEMPERATURE BLOCK	SI	SLATE
TB88	TEMPERATURE BLOCK	SI	SLATE
TB89	TEMPERATURE BLOCK	SI	SLATE
TB90	TEMPERATURE BLOCK	SI	SLATE
TB91	TEMPERATURE BLOCK	SI	SLATE
TB92	TEMPERATURE BLOCK	SI	SLATE
TB93	TEMPERATURE BLOCK	SI	SLATE
TB94	TEMPERATURE BLOCK	SI	SLATE
TB95	TEMPERATURE BLOCK	SI	SLATE
TB96	TEMPERATURE BLOCK	SI	SLATE
TB97	TEMPERATURE BLOCK	SI	SLATE
TB98	TEMPERATURE BLOCK	SI	SLATE
TB99	TEMPERATURE BLOCK	SI	SLATE
TB100	TEMPERATURE BLOCK	SI	SLATE

415-50-3

WIRE RED WIRE TO 208V TAP FOR 300V OPERATION

USE COPPER CONDUCTORS

FACTORY STD. FIELD OPTIONAL

BARB WPC. CO.
 ENG. 4055-510 A
 ENCL. DUTHERE
 DN. /APR.

