

INSTALLATION INSTRUCTIONS

WALL MOUNTED PACKAGE HEAT PUMPS

MODELS

WH301

WH361

**MANUAL 2100-193 REV. B
SUPERSEDES REV.
FILE VOL. III, TAB 17**

SECTION 1 --GETTING OTHER INFORMATION AND PUBLICATIONS

These publications can help you install the air conditioner or heat pump. You can usually find these at your local library or purchase them directly from the publisher. Be sure to consult current edition of each standard.

National Electrical Code	-ANSI/NFPA 70
Standard For The Installation Of Air Conditioning and Ventilating Systems	-ANSI/NFPA 90A
Standard For Warm Air Heating and Air Conditioning Systems	-ANSI/NFPA 90B
Load Calculation For Residential Winter and Summer Air Conditioning	-ACCA Manual J
Duct Design For Residential Winter and Summer Air Conditioning and Equipment Selection	-ACCA Manual D

FOR MORE INFORMATION, CONTACT THESE PUBLISHERS

ACCA:	AIR CONDITIONING CONTRACTORS OF AMERICA 1513 16th Street NW Washington, DC 20036 Telephone: (202) 483-9370	Fax: (202) 234-4721
ANSI:	AMERICAN NATIONAL STANDARDS INSTITUTE 1430 Broadway New York, NY 10018 Telephone: (212) 354-3300	Fax: (212) 302-1286
ASHRAE:	AMERICAN SOCIETY OF HEATING REFRIGERATING AND AIR CONDITIONING ENGINEERS, INCORPORATED 1791 Tullie Circle, N.E. Atlanta, GA 30329-2305 Telephone: (404) 636-8400	Fax: (404) 321-5478
NFPA:	NATIONAL FIRE PROTECTION ASSOCIATION Batterymarch Park P. O. Box 9101 Quincy, MA 02269-9901 Telephone: (800) 344-3555	Fax: (617) 984-7057

COPYRIGHT MARCH, 1992
BARD MANUFACTURING COMPANY
BRYAN, OH 43506 USA

TABLE OF CONTENTS

PART 1 -- WALL MOUNT--GENERAL INSTALLATION INFORMATION

Heat Pump Wall Mount Model Nomenclature	1
Shipping Damage	1
General	4
Duct Work	4
Filters	5
Fresh Air Intake	5
Condensate Drain	5

PART 2 -- INSTALLATION

Wall Mounting Information	5
Mounting The Unit	5

WIRING

Wiring--Main Power	9
Wiring: Low Voltage Wiring	9

THERMOSTAT WIRING

Compressor Cut-Off Thermostat and Outdoor Thermostats	10
Compressor Cut-Off and Outdoor Thermostat Wiring	10
Heat Anticipation	11
Thermostat Indicator Lamps	11
Emergency Heat Position	11
Compressor Malfunction Light (Single Phase Models Only)	11

PART 3 -- START-UP

Important Installer Note	12
Crankcase Heaters	12
Service Hints	12
Sequence of Operation	13
Pressure Service Ports	13
Defrost Cycle	13

PART 4 -- TROUBLESHOOTING

Solid State Heat Pump Control Troubleshooting Procedure	15
Checking Temperature Sensor Outside Unit Circuit	16
Fan Blade Setting Dimensions	17
Removal of The Fan Shroud	17
Refrigerant Charge	18
Pressure Tables	19
Optional Accessories	20

FIGURES AND TABLES

Figure 1	Unit Dimensions	2
Figure 2	Mounting Locations	7
Figure 2A	Electric Heat Clearance	8
Figure 3	Unit 24V Terminal Board	9
Figure 4	Compressor Cut-Off--5 and 10KW	10
Figure 5	Compressor Cut-Off--15KW	10
Figure 6	Start-Up	12
Figure 7	Defrost Control Board	14
Figure 8	Fan Blade Setting	17

Table 1	Electric Heat Table	1
Table 2	Electrical Specifications	3
Table 3	Thermostat Wire Sizes	10
Table 4	Wall Thermostat and Subbase Combinations	11
Table 5	Troubleshooting	15
Table 6	Fan Blade Settings.	17
Table 7	Refrigerant Charge	18
Table 8	Indoor Blower Performance	18
Table 9	Recommended Operating Ranges.	18
Table 10	Maximum ESP of Operation	18
Table 11	Cooling--Pressure (PSI)	19
Table 12	Heating--Pressures (PSI)	19
Table 13	Optional Accessories	20

PART 1 -- WALL MOUNT GENERAL INFORMATION

HEAT PUMP WALL MOUNT MODEL NOMENCLATURE

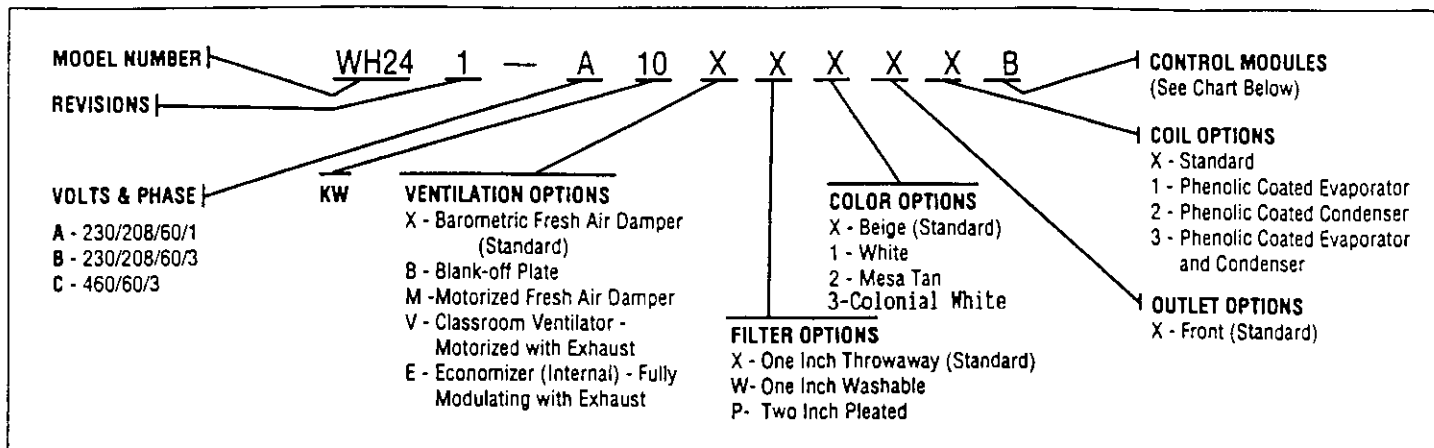


TABLE 1 ELECTRIC HEAT TABLE

Models	WH301-A				WH301-B				WH301-C		WH361-A				WH361-B				WH361-C	
	240-1		208-1		240-3		208-3		460-3		240-1		208-1		240-3		208-3		460-3	
KW	A	BTU	A	BTU	A	BTU	A	BTU	A	BTU	A	BTU	A	BTU	A	BTU	A	BTU	A	BTU
5	20.8	17065	18.1	12799							20.8	17065	18.1	12799						
10	41.6	34130	36.2	25598							41.6	34130	36.2	25598						
15											62.5	51195	54.1	38400						
6					14.4	20500	12.5	15360	7.2	20475					14.4	20500	12.5	15360	7.2	20475
9					21.7	30600	18.7	23030	10.8	30700					21.7	30600	18.7	23030	10.8	30700
15									18	51200					36.2	51200	31.2	38400	18.0	51195

SHIPPING DAMAGE

Upon receipt of equipment, the carton should be checked for external signs of shipping damage. If damage is found, the receiving party must contact the last carrier immediately, preferably in writing, requesting inspection by the carrier's agent.

FIGURE 1
UNIT DIMENSIONS

SIZE SPECS FOR HIS-278

UNIT	WIDTH (W)	DEPTH (D)	HEIGHT (H)	SUPPLY		RETURN		E	F	G	I	J	K	L	M	N	O	P	Q
				A	B	C	B												
30 & 36	37-7/8	16-7/8	70-1/2	7-7/8	27-7/8	13-7/8	27-7/8	39-7/8	18-1/4	25-3/4	18	26-3/4	28-3/4	29-1/4	27	2-9/16	30	22-3/4	9

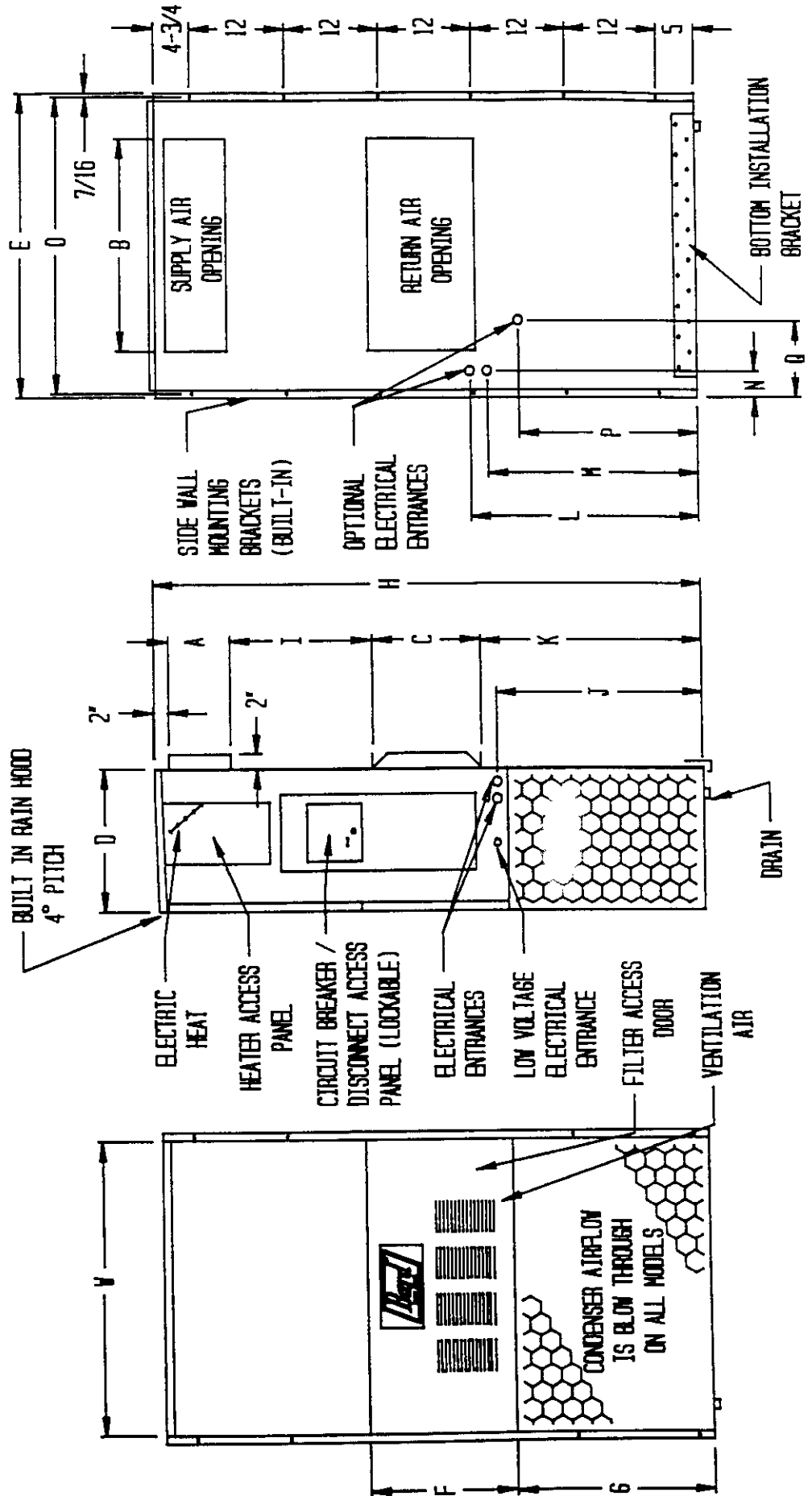


TABLE 2
ELECTRICAL SPECIFICATIONS

Model	Rated Volts and Phase	No. Field Power CKts.	SINGLE CIRCUIT				DUAL CIRCUIT						
			(4) Minimum Circuit Ampacity	(1) Maximum External Fuse Or C.circuit Breaker	(2) Field Power Wire Size	(2) Ground Wire Size	(4) Minimum Circuit Ampacity	(1) Maximum External Fuse Or Ckt. Breaker	(2) Field Power Wire Size	(2) Ground Wire Size			
											Ckt A	Ckt B	Ckt A
MB301-A00, A0Z A05 (3) A10	230/208-1	1	22	35	10	10	N/A	N/A	N/A	N/A	N/A	N/A	
		1	48	50	8	10	N/A	N/A	N/A	N/A	N/A	N/A	
		1	74	80	4	8	47	26	50	30	6	10	10
MB301-B00, B0Z B06 (3) B09 B15	230/208-3	1	17	25	12	10	N/A	N/A	N/A	N/A	N/A	N/A	
		1	35	40	8	10	N/A	N/A	N/A	N/A	N/A	N/A	
		1	44	45	8	10	N/A	N/A	N/A	N/A	N/A	N/A	
		1	48	50	8	10	N/A	N/A	N/A	N/A	N/A	N/A	
MB301-C00, C0Z C06 (3) C09 C15	460-3	1	9	15	14	14	N/A	N/A	N/A	N/A	N/A	N/A	
		1	18	20	12	12	N/A	N/A	N/A	N/A	N/A	N/A	
		1	23	25	10	10	N/A	N/A	N/A	N/A	N/A	N/A	
		1	24	25	10	10	N/A	N/A	N/A	N/A	N/A	N/A	
MB361-A00, A0Z A05 (3) A10 A15	230/208-1	1	25	40	10	10	N/A	N/A	N/A	N/A	N/A	N/A	
		1	51	60	6	10	N/A	N/A	N/A	N/A	N/A	N/A	
		1 or 2	77	80	4	8	51	26	60	30	6	10	10
		1 or 2	81	90	4	8	51	52	60	60	6	10	10
MB361-B00, B0Z B06 (3) B09 B15	230/208-3	1	18	25	12	10	N/A	N/A	N/A	N/A	N/A	N/A	
		1	36	40	8	10	N/A	N/A	N/A	N/A	N/A	N/A	
		1	45	45	8	10	N/A	N/A	N/A	N/A	N/A	N/A	
		1	48	50	8	10	N/A	N/A	N/A	N/A	N/A	N/A	
MB361-C00, C0Z C06 (3) C09 C15	460-3	1	9	15	14	14	N/A	N/A	N/A	N/A	N/A	N/A	
		1	18	20	12	12	N/A	N/A	N/A	N/A	N/A	N/A	
		1	23	25	10	10	N/A	N/A	N/A	N/A	N/A	N/A	
		1	24	25	10	10	N/A	N/A	N/A	N/A	N/A	N/A	

(1) Maximum size of the time delay fuse or HACR type circuit breaker for protection of field wiring conductors.
 (2) Based on 75°C copper wire. All wiring must conform to NEC and all local codes.
 (3) Maximum KW that can operate with heat pump on.
 (4) These "Minimum Circuit Ampacity" values are to be used for sizing the field power conductors. Refer to the National Electric Code (latest revision), article 310 for power conductor sizing. Caution: When more than one field power conductor circuit is run thru one conduit, the conductors must be derated. Pay special attention to note 8 of table 310 regarding Ampacity Adjustment Factors when more than 3 conductors are in a raceway.

GENERAL

The equipment covered in this manual is to be installed by trained, experienced service and installation technicians.

The refrigerant system is completely assembled and charged. All internal wiring is complete.

The unit is designed for use with or without duct work. Flanges are provided for attaching the supply and return ducts.

These instructions explain the recommended method to install the air cooled self-contained unit and the electrical wiring connections to the unit.

These instructions and any instructions packaged with any separate equipment required to make up the entire air conditioning system should be carefully read before beginning the installation. Note particularly "Starting Procedure" and any tags and/or labels attached to the equipment.

While these instructions are intended as a general recommended guide, they do not supersede any national and/or local codes in any way. Authorities having jurisdiction should be consulted before the installation is made. See Page 1 for information on codes and standards.

Size of unit for a proposed installation should be based on heat loss calculation made according to methods of Air Conditioning Contractors of America (ACCA). The air duct should be installed in accordance with the Standards of the National Fire Protection Association for the Installation of Air Conditioning and Ventilating systems of Other Than Residence Type, NFPA No. 90A, and Residence Type Warm Air Heating and Air Conditioning Systems, NFPA No. 90B. Where local regulations are at a variance with instructions, installer should adhere to local codes.

DUCT WORK

Any heat pump is more critical of proper operating charge and an adequate duct system than a straight air conditioning unit. All duct work, supply and return, must be properly sized for the design air flow requirement of the equipment. Air Conditioning Contractors of America (ACCA) is an excellent guide to proper sizing. All duct work or portions thereof not in the conditioned space should be properly insulated in order to both conserve energy and prevent condensation or moisture damage.

Refer to Table 10 for maximum static pressure available for duct design.

Design the duct work according to methods given by the Air Conditioning Contractors of America (ACCA). When duct runs through unheated spaces, it should be insulated with a minimum of one inch of insulation. Use insulation with a vapor barrier on the outside of the insulation. Flexible joints should be used to connect the duct work to the equipment in order to keep the noise transmission to a minimum.

A 1/4-inch clearance to combustible material for the first three feet of duct attached to the outlet air frame is required. See Pages 5, 6 and 7 Wall Mounting Instructions and Figures 2 and 2A for further details.

Ducts through the walls must be insulated and all joints taped or sealed to prevent air or moisture entering the wall cavity.

Some installations may not require any return air duct. It is recommended that on this type of installation that a filter grille be located in the wall. Filters must be of sufficient size to allow a maximum velocity of 400 FPM.

NOTE: If no return air duct is used, applicable installation codes may limit this cabinet to installation only in a single story structure.

FILTERS

A 1-inch throwaway filter is supplied with each unit. The filter slides into position making it easy to service. This filter can be serviced from the outside by removing the service door. A 1-inch washable filter and 2-inch pleated filter are also available as optional accessories. The internal filter brackets are adjustable to accommodate the 2-inch filter by loosening 2 screws in each bracket assembly and sliding the brackets apart to the required width and retightening the 4 screws.

FRESH AIR INTAKE

All units are built with a fresh air inlet slots punched in the service panel.

The fresh air damper assembly is standard equipment with the unit because of the variety of state or local codes requiring fresh air capability. It is shipped already attached to each unit.

All capacity, efficiency and cost of operation information as required for Department of Energy "Energyguide" Fact Sheets is based upon the fresh air blank-off plate in place and is recommended for maximum energy efficiency.

The blank-off plate is available upon request from the factory and is installed in place of the fresh air damper shipped with each unit.

CONDENSATE DRAIN

A plastic drain hose extends from the drain pan at the top of the unit down to the unit base. There are openings in the unit base for the drain hose to pass through. In the event the drain hose is connected to a drain system of some type, it must be an open or vented type system to assure proper drainage.

PART 2 -- INSTALLATION INSTRUCTIONS

WALL MOUNTING INFORMATION

1. Two holes, for the supply and return air openings, must be cut through the wall as shown in Figure 2.
2. On wood-frame walls, the wall construction must be strong and rigid enough to carry the weight of the unit without transmitting any unit vibration. **WARNING:** Fire hazard can result if 1/4-inch clearance to combustible materials for supply air duct is not maintained. See Figure 2.
3. Concrete block walls must be thoroughly inspected to insure that they are capable of carrying the weight of the installing unit.

MOUNTING THE UNIT

1. These units are secured by wall mounting brackets which secure the unit to the outside wall surface at both sides. A bottom mounting bracket is provided for ease of installation, but is not required.
2. The unit itself is suitable for "0" inch clearance, but the supply air duct flange and the first three feet of supply air duct require a minimum of 1/4-inch clearance to combustible material. If a combustible wall, use a minimum of 28-1/2" x 8-1/2" dimensions for sizing. However, it is generally recommended that a 1" clearance is used for ease of installation and maintaining the required clearance to combustible material. The supply air opening would then be 30" x 10". See Figures 2 and 2A for details.

WARNING: Failure to provide the 1/4-inch clearance between the supply duct and a combustible surface for the first three feet of duct can result in fire.

3. Locate and mark lag bolt locations and bottom mounting bracket location, if desired. See Figure 2.
4. Mount bottom mounting bracket, if used.
5. Position unit in opening and secure with 5/16 lag bolts; use flat washers on the lag bolts.
6. For additional mounting rigidity, the return air and supply air frames or collars can be drilled and screwed or welded to the structural wall itself (depending upon wall construction). Be sure to observe required clearance if combustible wall.
7. On side by side installations, maintain a minimum of 20 inches clearance on right side to allow access to control panel and heat strips and allow proper airflow to the outdoor coil.

FIGURE 2
MOUNTING INSTRUCTIONS

	A	B	C	D	E
REQUIRED DIMENSIONS TO MAINTAIN 1/4" MIN. CLEARANCE FROM COMBUSTIBLE MATERIALS	28 1/2	8 1/2	5 1/4	3 13/16	17 5/8
REQUIRED DIMENSIONS TO MAINTAIN RECOMMENDED 1" CLEARANCE FROM COMBUSTIBLE MATERIALS	30	10	4 1/2	3 1/16	16 7/8

NOTE: IT IS RECOMMENDED THAT A BEAD OF SILICONE CAULKING BE PLACED BEHIND THE SIDE MOUNTING FLANGES AND UNDER THE TOP FLASHING AT TIME OF INSTALLATION.

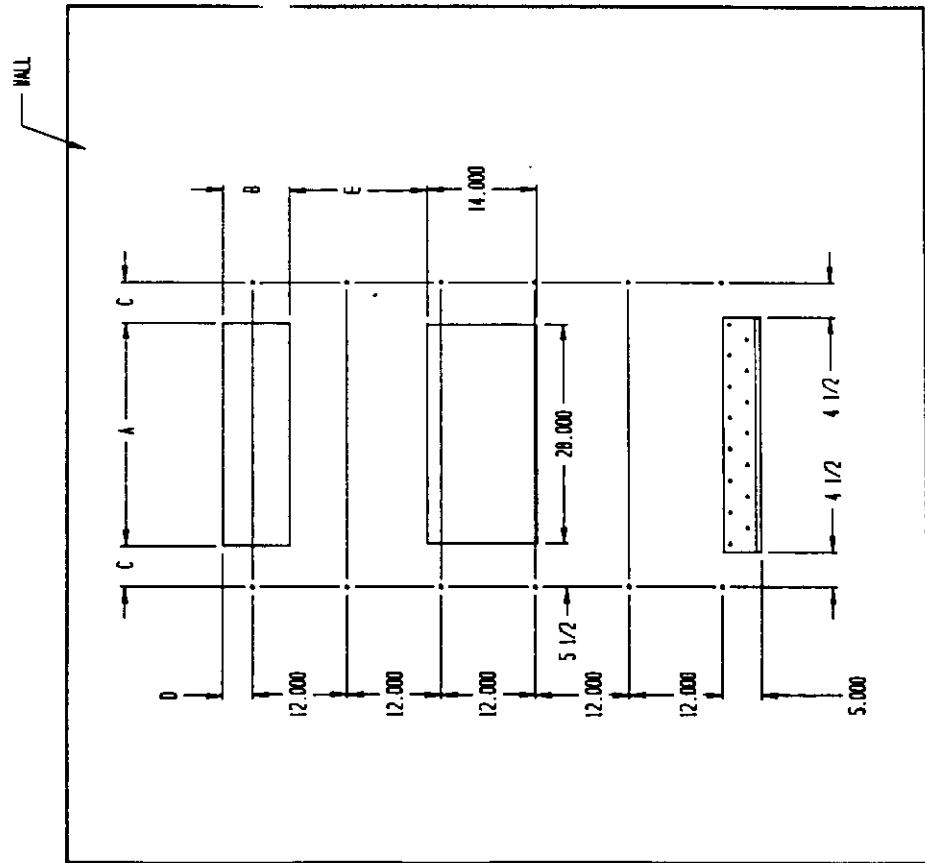
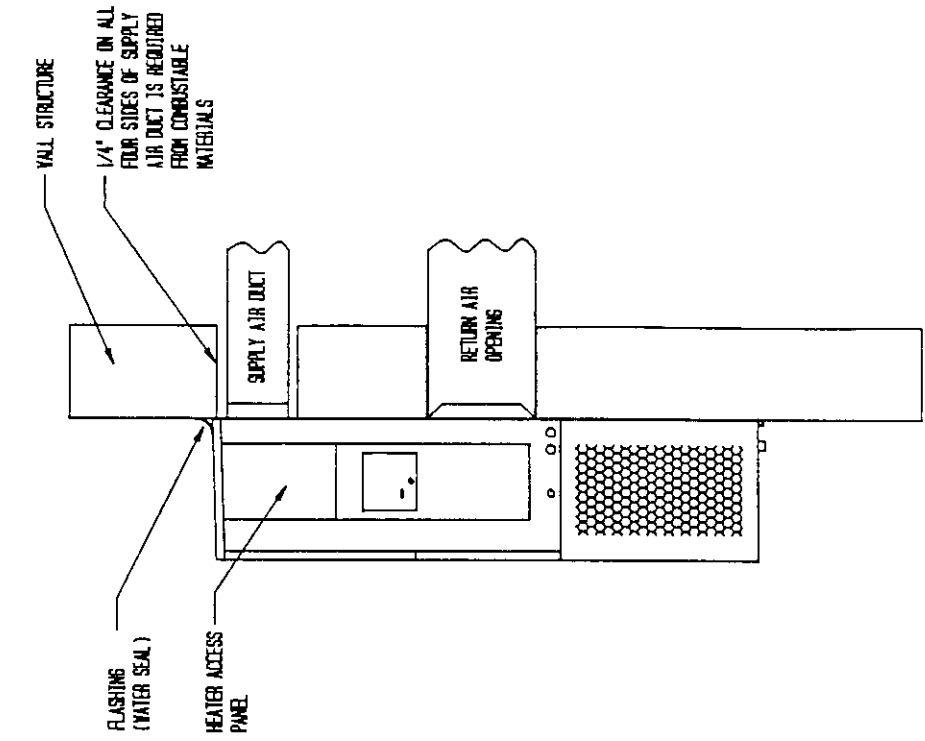
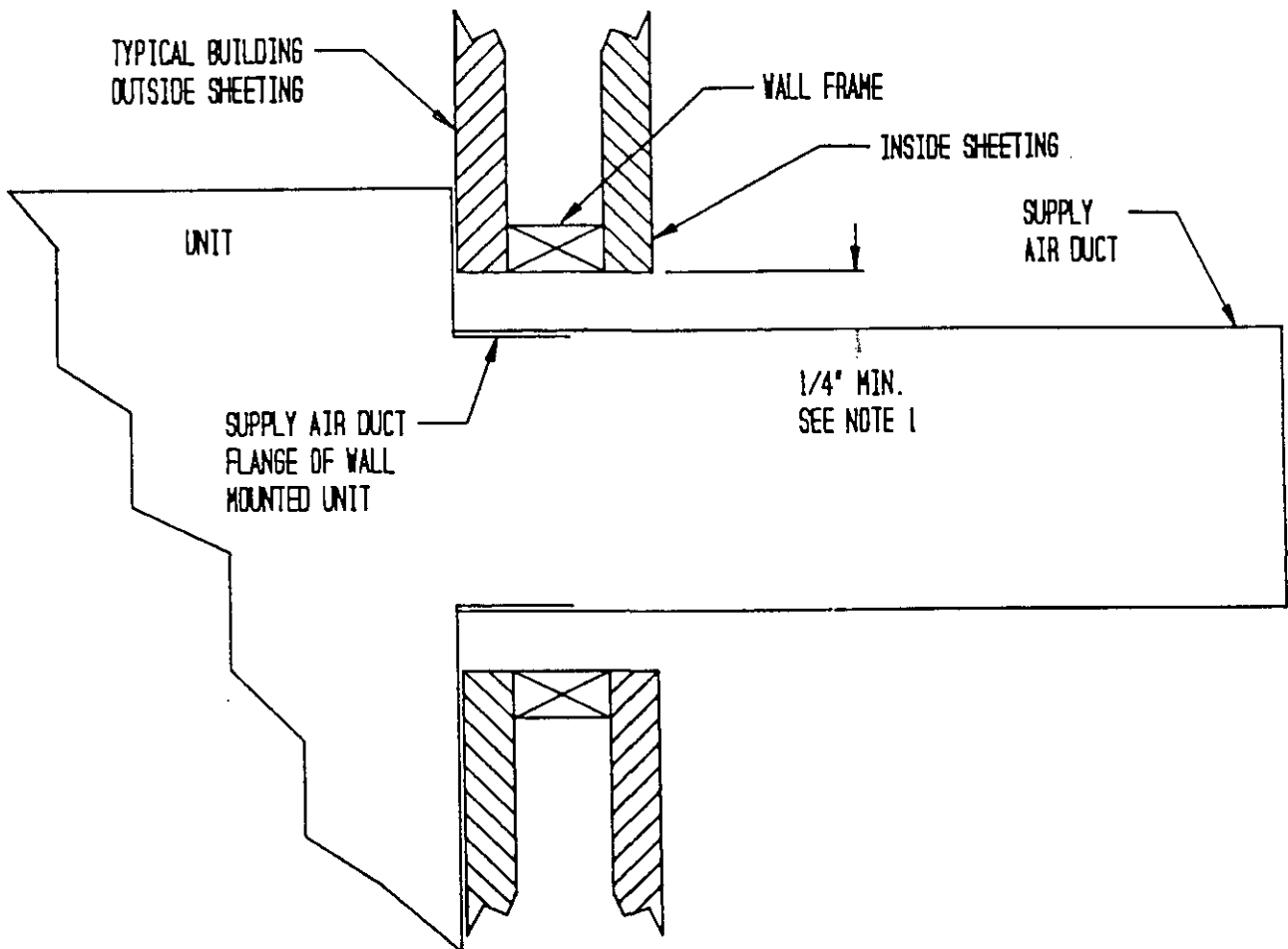


FIGURE 2A
ELECTRIC HEAT CLEARANCE



Side section view of supply air duct for wall mounted unit showing 1/4" clearance to combustibles.

NOTE 1:

WARNING
A <u>minimum</u> of 1/4" clearance must be maintained between the supply air duct and combustibles. This is required for the first 3 feet of ducting.
It is important to insure that the 1/4" minimum spacing is maintained at all points.
Failure to do this could result in overheating the combustible material and may result in a fire.

WIRING--MAIN POWER

Refer to the unit rating plate for wire sizing information and maximum fuse or "HACR Type" circuit breaker size. Each outdoor unit is marked with a "Minimum Circuit Ampacity". This means that the field wiring used must be sized to carry that amount of current. Depending on the installed KW of electric heat, there may be two field power circuits required. If this is the case, the unit serial plate will so indicate. All models are suitable only for connection with copper wire. Each unit and/or wiring diagram will be marked "Use Copper Conductors Only". These instructions MUST BE adhered to. Refer to the National Electrical Code (NEC) for complete current carrying capacity data on the various insulation grades of wiring material. All wiring must conform to NEC and all local codes.

The electrical data lists fuse and wire sizes (75°C copper) for all models, including the most commonly used heater sizes. Also shown are the number of field power circuits required for the various models with heaters.

The unit rating plate lists a "Maximum Time Delay Relay Fuse" or "HACR Type" circuit breaker that is to be used with the equipment. The correct size must be used for proper circuit protection and also to assure that there will be no nuisance tripping due to the momentary high starting current of the compressor motor.

The disconnect access door on this unit may be locked to prevent unauthorized access to the disconnect. To convert for the locking capability, bend the tab located in the bottom left hand corner of the disconnect opening under the disconnect access panel straight out. This tab will now line up with the slot in the door. When shut, a padlock may be placed through the hole in the tab preventing entry.

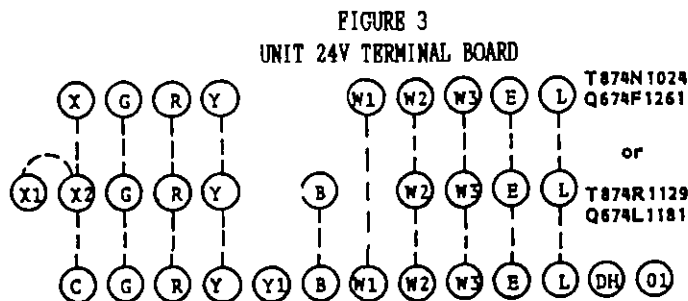
WIRING: LOW VOLTAGE WIRING

230/208V, 1 phase and 3 phase equipment dual primary voltage transformers. All equipment leaves the factory wired on 240V tap. For 208V operation, reconnect from 240V to 208V tap. The acceptable operating voltage range for the 240 and 208V taps are:

TAP	RANGE
240	253 - 216
208	220 - 187

NOTE: The voltage should be measured at the field power connection point in the unit and while the unit is operating at full load (maximum amperage operating condition).

Nine (9) wires should be run from thermostat subbase to the 24V terminal board in the unit. A nine conductor, 18 gauge copper, color-coded thermostat cable is recommended. The connection points are shown below:



IMPORTANT NOTE: Only the thermostat and subbase combinations as shown above will work with this equipment. The thermostat and subbase MUST be matched, and the correct operation can be assured only by proper selection and application of these parts.

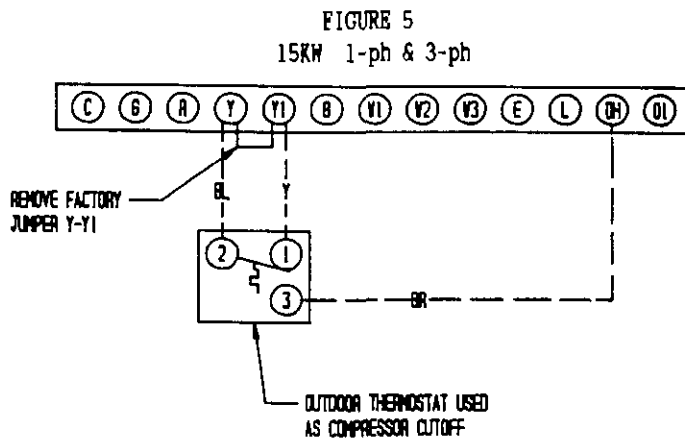
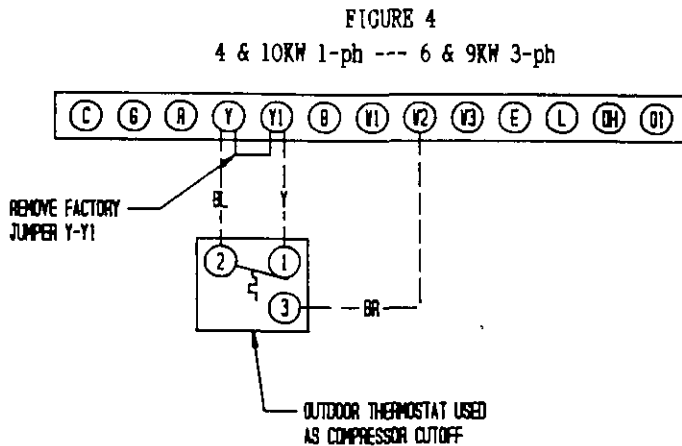
Transformer VA	THERMOSTAT WIRE SIZE		Maximum Distance In Feet
	FLA	Wire Gauge	
55	2.3	20 Gauge	45
		18 "	60
		16 "	100
		14 "	160
		12 "	250

COMPRESSOR CUT-OFF THERMOSTAT AND OUTDOOR THERMOSTATS

Heat pump compressor operation at outdoor temperatures below 0°F are neither desirable nor advantageous in terms of efficiency. Since most equipment at time of manufacture is not designated for any specific destination of the country and most of the equipment is installed in areas not approaching the lower outdoor temperature range, the compressor cut-offs are not factory installed.

Outdoor thermostats are available to hold off various banks of electric heat until needed as determined by outdoor temperature. The set point of either type of thermostat is variable with geographic region and sizing of the heating equipment to the structure. Utilization of the Heating Application Data and the heat loss calculation of the building are useful in determining the correct set points.

COMPRESSOR CUT-OFF AND OUTDOOR THERMOSTAT WIRING



HEAT ANTICIPATION

Both of the thermostats shown below have a fixed heat anticipator for stage 1 with no adjustment required. Stage 2 has an adjustable anticipator for the W2 connection and fixed for the W3 connection. Both the W2 and W3 circuits are controlled by the stage 2 bulb. The only heat anticipator that needs to be checked is stage 2 and it should be set to match the load carried by the W2 circuit. The normal factory wiring provides for only one electric heat contactor to be controlled by W2, and the anticipator should be set at .40A. If special field wiring is done, it is best to actually measure the load but a good rule is .40A for EACH heat contactor controlled by W2.

TABLE 4

WALL THERMOSTAT AND SUBBASE COMBINATIONS			
Group	Thermostat	Subbase	Predominant Features
A	8403-017 (T874R1129)	8404-009 (Q674L1181)	Heat or Cool (1) No Auto
B	8403-018 (T874N1024)	8404-010 (Q674F1261)	Automatic Heat-Cool (2) Changeover Position

- (1) No automatic changeover position--must manually place in heat or cool. Reversing valve remains energized at all times system switch is in heat position (except during defrost cycle). No pressure equalization noise when thermostat is satisfied on either heating or cooling.
- (2) Allows thermostat to control both heating and cooling operation when set in "Auto" position. Reversing valve de-energizes at end of each "On" heating cycle.

IMPORTANT NOTE: Both thermostat and subbase combinations shown above incorporate the following features: Man-Auto fan switch, Off-Heat-Cool-Em. Heat Switch, and two (2) indicator lamps--one for emergency heat and one for compressor malfunction.

THERMOSTAT INDICATOR LAMPS

The red lamp marked "Em.Ht." comes on and stays on whenever the system switch is placed in the emergency heat position. The green lamp marked "check" will come on if there is any problem that prevents the compressor from running when it is supposed to be.

EMERGENCY HEAT POSITION

The operator of the equipment must manually place the system switch in this position. This is done when there is a known problem with the unit, or when the green "check" lamp comes on indicating a problem.

COMPRESSOR MALFUNCTION LIGHT

Actuation of the green "check" lamp is accomplished by a relay output from the heat pump control board which is factory installed. Any condition such as loss of charge, high head pressure, etc., that will prevent compressor from operating will cause green lamp to activate. This is a signal to the operator of the equipment to place system in emergency heat position.

PART 3 -- START-UP

IMPORTANT INSTALLER NOTE

For improved start-up performance, wash the indoor coil with a dishwasher detergent.

CRANKCASE HEATERS

All units are provided with some form of compressor crankcase heat.

All single and three phase models have an insertion well-type heater located in the lower section of the compressor housing. This is a self-regulating type heater that draws only enough power to maintain the compressor at a safe temperature.

Some form of crankcase heat is essential to prevent liquid refrigerant from migrating to the compressor, causing oil pump out on compressor start-up and possible valve failure due to compressing a liquid.

The decal in Figure 6 is affixed to all outdoor units detailing start-up procedure. This is very important. Please read carefully.

FIGURE 6

IMPORTANT

THESE PROCEDURES MUST BE FOLLOWED AT INITIAL START-UP AND AT ANY TIME POWER HAS BEEN REMOVED FOR 12 HOURS OR LONGER.

TO PREVENT COMPRESSOR DAMAGE WHICH MAY RESULT FROM THE PRESENCE OF LIQUID REFRIGERANT IN THE COMPRESSOR CRANKCASE

1. MAKE CERTAIN THE ROOM THERMOSTAT IS IN THE "OFF" POSITION (THE COMPRESSOR IS NOT TO OPERATE).
2. APPLY POWER BY CLOSING THE SYSTEM DISCONNECT SWITCH THIS ENERGIZES THE COMPRESSOR HEATER WHICH EVAPORATES THE LIQUID REFRIGERANT IN THE CRANKCASE.
3. ALLOW 4 HOURS OR 60 MINUTES PER POUND OF REFRIGERANT IN THE SYSTEM AS NOTED ON THE UNIT RATING PLATE, WHICHEVER IS GREATER.
4. AFTER PROPERLY ELAPSED TIME THE THERMOSTAT MAY BE SET TO OPERATE THE COMPRESSOR.
5. EXCEPT AS REQUIRED FOR SAFETY WHILE SERVICING — DO NOT OPEN SYSTEM DISCONNECT SWITCH.

7961-061

SERVICE HINTS

1. Caution homeowner to maintain clean air filters at all times. Also, not to needlessly close off supply and return air registers. This reduces air flow through the system, which shortens equipment service life as well as increasing operating costs.
2. Switching to heating cycle at 75°F or higher outside temperature may cause a nuisance trip of the remote reset high pressure switch. Turn thermostat off, then on to reset the high pressure switch.
3. The heat pump wall thermostats perform multiple functions. Be sure that all function switches are correctly set for the desired operating mode before trying to diagnose any reported service problems.
4. Check all power fuses or circuit breakers to be sure they are the correct rating.
5. Periodic cleaning of the outdoor coil to permit full and unrestricted airflow circulation is essential.

SEQUENCE OF OPERATION

COOLING--Circuit R-Y makes at thermostat pulling in compressor contactor, starting the compressor and outdoor motor. The G (indoor motor) circuit is automatically completed on any call for cooling operation or can be energized by manual fan switch on subbase for constant air circulation.

HEATING--A 24V solenoid coil on reversing valve controls heating cycle operation. Two thermostat options, one allowing "Auto" changeover from cycle to cycle and the other constantly energizing solenoid coil during heating season and thus eliminating pressure equalization noise except during defrost, are to be used. On "Auto" option, a circuit is completed from R-W1 and R-Y on each heating "on" cycle, energizing reversing valve solenoid and pulling in compressor contactor starting compressor and outdoor motor. R-G also make starting indoor blower motor. Heat Pump heating cycle now in operation. The second option has no "Auto" changeover position, but instead energizes the reversing valve solenoid constantly whenever the system switch on subbase is placed in "Heat" position, the "B" terminal being constantly energized from R. A thermostat demand for heat completes R-Y circuit, pulling in compressor contactor starting compressor and outdoor motor. R-G also make starting indoor blower motor.

PRESSURE SERVICE PORTS

High and low pressure service ports are installed on all units so that the system operating pressures can be observed. Pressure curves can be found later in the manual covering all models on both cooling and heating cycles. It is imperative to match the correct pressure curve to the unit by model number.

DEFROST CYCLE

The defrost cycle is controlled by temperature and time on the solid state heat pump control.

When the outdoor temperature is in the lower 40°F temperature range or colder, the outdoor coil temperature is 32°F or below. This coil temperature is sensed by the coil sensor mounted near the bottom of the outdoor coil. Once coil temperature reaches 30°F or below, the coil sends a signal to the control logic of the heat pump control and the defrost timer will start.

After 60 (90 or 30) minutes at 30°F or below, the heat pump control will place the system in the defrost mode.

During the defrost mode, the refrigerant cycle switches back to the cooling cycle, the outdoor motor stops, electric heaters are energized, and hot gas passing through the outdoor coil melts any accumulator frost. When the temperature rises to approximately 57°F, the coil sensor will send a signal to the heat pump control which will return the system to heating operations automatically.

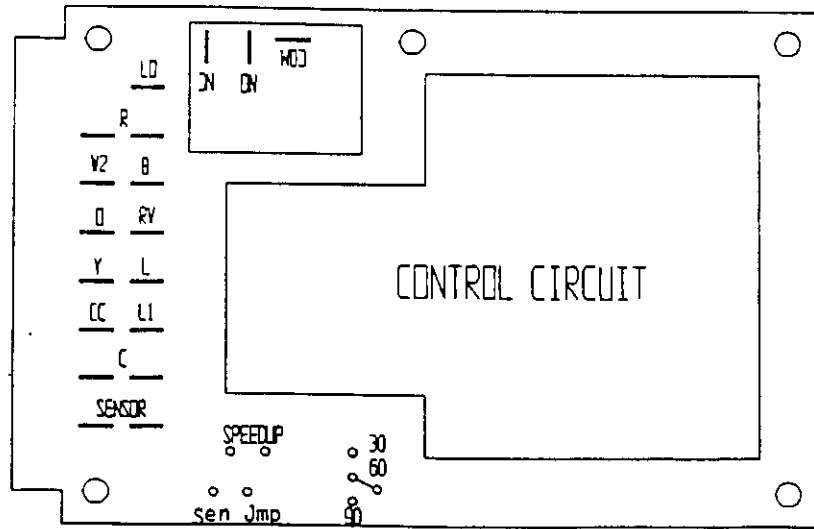
If some abnormal or temporary condition such as a high wind causes the heat pump to have a prolonged defrost cycle, the heat pump control will restore the system to heating operation automatically after 10 minutes.

There are three settings on the heat pump control--30 minute, 60 minute, and 90 minute. Most models are shipped wired on the 60 minute setting for greatest operating economy. If special circumstances require a change to another time, remove wire connected to terminal 60 and reconnect to desired terminal.

There is a cycle speed up jumper on the control. This can be used to reduce the time between defrost cycle operation without waiting for time to elapse.

There is an initial defrost (sen jnp) jumper on the control that can be used at any outdoor ambient during the heating cycle to simulate a 0° coil temperature. This can be used to check defrost operation of the unit without waiting for the outdoor ambient to fall into the defrost region.

FIGURE 7
DEFROST CONTROL BOARD



PART 4 -- TROUBLESHOOTING

SOLID STATE HEAT PUMP CONTROL TROUBLESHOOTING PROCEDURE

1. Turn on AC power supply to indoor and outdoor units.
2. Turn thermostat blower switch to fan on--the indoor blower should start. (If it doesn't, troubleshoot indoor unit and correct problem).
3. Turn thermostat blower switch to auto position. Indoor blower should stop.
4. Set system switch to heat or cool. Adjust thermostat to call for heat or cool--The indoor blower, compressor, and outdoor fan should start.

NOTE: If there was no power to 24 volt transformer, the compressor and outdoor fan motor will not start for 5 minutes. This is because of the compressor short cycle protection.

TABLE 5 TROUBLESHOOTING

Symptom	Possible Causes	What to Check	How To Check Or Repair
Compressor contactor does not energize (cooling or heating)	Control circuit wiring	Check for R connection at unit, and 24V between R-C.	Run R connection to outdoor unit to power heat pump control.
	Compressor lock out	1. Check for 24V between L1-C on heat pump control. 2. Check across high pressure switch.	1. If no voltage between L1-C turn thermostat off and on again to reset high pressure switch. 2. If high pressure switch is open and will not reset, replace high pressure switch.
	Compressor short cycle protection	Check for 24V between CC-C and Y-C on heat pump control.	1. If no voltage between CC-C jumper speed up terminal and within 10 seconds power should appear between CC-C. Remove speed up jumper after 10 seconds.
	Heat pump control defective	Check all other possible causes. Manual 2100-065	Replace heat pump control.
	Contactors defective	Check for open or shorted coil winding.	Replace contactor.
Fan outdoor motor does not run (cooling or heating except during defrost)	Motor defective	Check for open or shorted motor winding	Replace motor.
	Motor capacitor defective	Check capacitor rating. Check for open or shorted capacitor.	Replace capacitor.
	Heat pump control defective	Check across fan relay on heat pump control. (Com-NC)	Replace heat pump control.
Reversing valve does not energize (heating only)	Reversing valve solenoid coil defective	Check for open or shorted coil.	Replace solenoid coil.
	Heat pump control defective	Check for 24V between RV-C and B-C.	1. Check control circuit wiring. 2. Replace heat pump control.
Unit will not go into defrost (heating only)	Temperature sensor or heat pump control defective	Disconnect temperature sensor from board and jumper across speed up terminals and sen jmp terminals. This should cause the unit to go through a defrost cycle within one minute.	1. If unit goes through defrost cycle, replace temperature sensor. 2. If unit does not go through defrost cycle, replace heat pump control.
Unit will not come out of defrost (heating only)	Temperature sensor or heat pump control defective	Jumper across speed up terminals. This should cause the unit to come out of defrost within one minute.	1. If unit comes out of defrost cycle, replace temperature sensor. 2. If unit does not come out of defrost cycle, replace heat pump control.

CHECKING TEMPERATURE SENSOR OUTSIDE UNIT CIRCUIT

1. Disconnect temperature sensor from board and from outdoor coil.
2. Use an ohmmeter and measure the resistance of the sensor. Also use ohmmeter to check for short or open.
3. Check resistance reading to chart of resistance use sensor ambient temperature. (Tolerance of part is $\pm 10\%$).
4. If sensor resistance reads very low, then sensor is shorted and will not allow proper operation of the heat pump control.
5. If sensor is out of tolerance, shorted, open, or reads very low ohms then it should be replaced.

TEMPERATURE F VS RESISTANCE R OF TEMPERATURE SENSOR

F	R	F	R	F	R
-25.0	196871	25.0	39898	75.0	10501
-24.0	190099	26.0	38757	76.0	10247
-23.0	183585	27.0	37652	77.0	10000
-22.0	177318	28.0	36583	78.0	9760
-21.0	171259	29.0	35548	79.0	9526
-20.0	165487	30.0	34545	80.0	9299
-19.0	159904	31.0	33574	81.0	9077
-18.0	154529	32.0	32634	82.0	8862
-17.0	149355	33.0	31723	83.0	8653
-16.0	144374	34.0	30840	84.0	8449
-15.0	139576	35.0	29986	85.0	8250
-14.0	134956	36.0	29157	86.0	8057
-13.0	130506	37.0	28355	87.0	7869
-12.0	126219	38.0	27577	88.0	7686
-11.0	122089	39.0	26823	89.0	7507
-10.0	118108	40.0	26092	90.0	7334
-9.0	114272	41.0	25383	91.0	7165
-8.0	110575	42.0	24696	92.0	7000
-7.0	107010	43.0	24030	93.0	6840
-6.0	103574	44.0	23384	94.0	6683
-5.0	100260	45.0	22758	95.0	6531
-4.0	97064	46.0	22150	96.0	6383
-3.0	93981	47.0	21561	97.0	6239
-2.0	91008	48.0	20989	98.0	6098
-1.0	88139	49.0	20435	99.0	5961
0.0	85371	50.0	19896	100.0	5827
1.0	82699	51.0	19374	101.0	5697
2.0	80121	52.0	18867	102.0	5570
3.0	77632	53.0	18375	103.0	5446
4.0	75230	54.0	17898	104.0	5326
5.0	72910	55.0	17434	105.0	5208
6.0	70670	56.0	16984	106.0	5094
7.0	68507	57.0	16547	107.0	4982
8.0	66418	58.0	16122	108.0	4873
9.0	64399	59.0	15710	109.0	4767
10.0	62449	60.0	15310	110.0	4663
11.0	60565	61.0	14921	111.0	4562
12.0	58745	62.0	14544	112.0	4464
13.0	56985	63.0	14177	113.0	4367
14.0	55284	64.0	13820	114.0	4274
15.0	53640	65.0	13474	115.0	4182
16.0	52051	66.0	13137	116.0	4093
17.0	50514	67.0	12810	117.0	4006
18.0	49028	68.0	12492	118.0	3921
19.0	47590	69.0	12183	119.0	3838
20.0	46200	70.0	11883	120.0	3757
21.0	44855	71.0	11591	121.0	3678
22.0	43554	72.0	11307	122.0	3601
23.0	42295	73.0	11031	123.0	3526
24.0	41077	74.0	10762	124.0	3452

FAN BLADE SETTING DIMENSIONS

Shown in the drawing below are the correct fan blade setting dimensions for proper air delivery across the outdoor coil.

Any service work requiring removal or adjustment in the fan and/or motor area will require that the dimensions below be checked and blade adjusted in or out on the motor shaft accordingly.

FIGURE 8

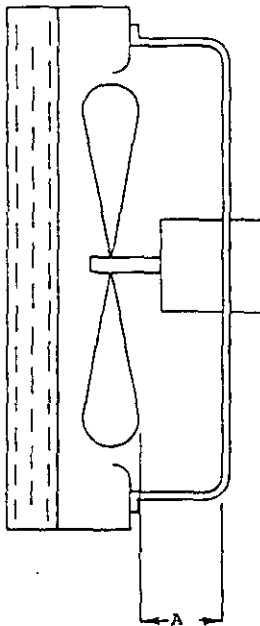


TABLE 6

Model	Dimension A
WH301	1.25
WH361	

REMOVAL OF THE FAN SHROUD

1. Disconnect all power to unit.
2. Remove the screws holding both grills--one on each side of unit--and remove grills.
3. Remove screws holding fan shroud to condenser and bottom. (9) screws.
4. Unwire condenser fan motor.
5. Slide complete motor, fan blade, and shroud assembly out the left side of the unit.
6. Service motor/fan as needed.
7. Reverse steps to reinstall.

REFRIGERANT CHARGE

The correct system R-22 charge is shown on the unit rating plate. Optimum unit performance will occur with a refrigerant charge resulting in a suction line temperature (6" from compressor) as shown in the following table:

TABLE 7 REFRIGERANT CHARGE

Model	Rated Airflow	° 95 F OD Temperature	° 82 F OD Temperature
WH301	1000	56 - 58	63 - 65
WH361	1100	49 - 51	66 - 68

The above suction line temperatures are based upon 80°F dry bulb/67°F wet bulb (50% R.H.) temperature and rated airflow across the evaporator during cooling cycle.

TABLE 8 INDOOR BLOWER PERFORMANCE--CFM @ 230V

B.S.P. In H ₂ O	WH301, WH361	
	Lo Speed Dry/Wet Coil	High Speed Dry/Wet Coil
.0	950 / 935	1395 / 1315
.1	930 / 915	1340 / 1270
.2	910 / 885	1285 / 1190
.3	855 / 830	1205 / 1100
.4	800 / 755	1110 / 1000
.5	---	1005 / 870
.6	---	---

TABLE 9 Recommended Operating Ranges

Model	Rated CFM*	Rated ESP*	Recommended Airflow Range
WH301	1100	.30	930 - 1300
WH361	1100	.30	930 - 1350

*Rated CFM and ESP on high speed tap.

TABLE 10 MAXIMUM ESP OF OPERATION

Model	Low Speed	High Speed
A00	.50	.50
WH301 A05	.40	.50
WH361 A10	.35	.40
A15	.35	.40
B00	.50	.50
WH301 B06	.40	.50
WH361 B09	.35	.45
B15	.35	.45
C00	.50	.50
WH301 C06	.50	.50
WH361 C09	.30	.40
C15	.30	.40

Values shown are for units equipped with STD 1" throw-away filter or 1" washable filter. Derate ESP by .15 for 2" pleated filters.

TABLE 11

COOLING -- Pressure (PSI)

Air Temperature Entering Outdoor Coil °F

Model	Return Air Temperature	Pressure	Air Temperature Entering Outdoor Coil °F								
			75°	80°	85°	90°	95°	100°	105°	110°	115°
WB301	75° DB	Low Side	76	78	80	81	83	84	85	87	88
	62° WB	High Side	235	249	263	277	291	305	319	333	347
	80° DB	Low Side	81	83	85	87	88	90	91	93	94
	67° WB	High Side	241	255	269	284	298	312	327	341	356
WB361	85° DB	Low Side	88	90	92	93	95	97	98	100	101
	72° WB	High Side	250	264	279	294	308	323	338	353	368
	75° DB	Low Side	69	71	73	75	76	78	80	82	83
	62° WB	High Side	210	226	242	257	273	290	306	323	339
WB361	80° DB	Low Side	73	76	78	80	82	84	85	87	89
	67° WB	High Side	216	232	248	264	281	297	314	331	348
	85° DB	Low Side	79	81	84	86	88	90	92	94	95
	72° WB	High Side	223	240	256	273	290	308	325	342	360

TABLE 12

HEATING -- Pressures (PSI)

Air Temperature Entering Outdoor Coil °F

Model	Return Air Temperature	Pressure	Air Temperature Entering Outdoor Coil °F														
			0	5	10	15	17	20	25	30	35	40	45	47	50	55	60
WB301	70°	Low Side	21	25	28	32	33	36	39	43	47	51	55	57	59	63	67
		High Side	143	148	153	159	161	165	172	180	188	197	207	211	217	228	239
WB361	70°	Low Side	22	25	28	31	32	34	38	42	46	50	55	57	60	65	70
		High Side	145	152	159	167	171	177	186	197	208	220	233	238	246	260	275

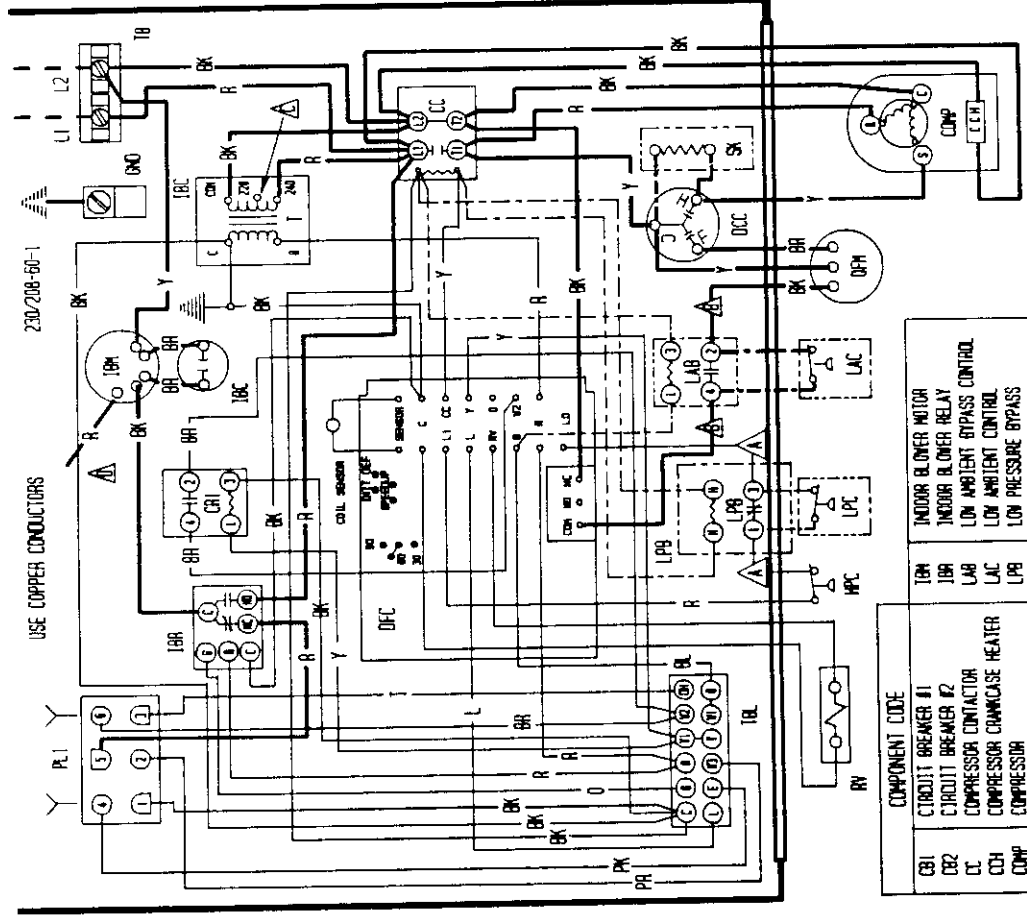
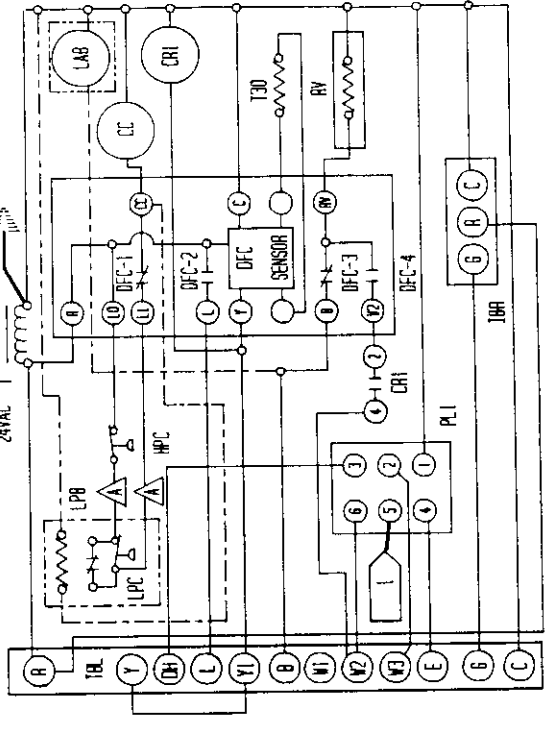
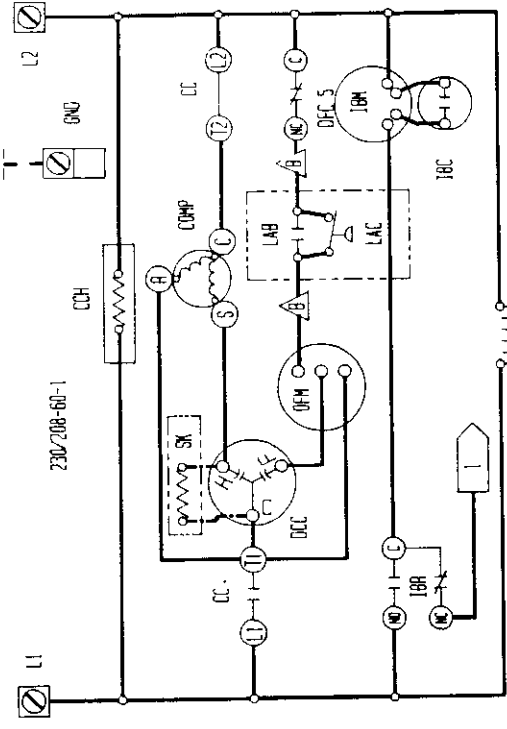
Low side pressure \pm 2 PSIGHigh side pressure \pm 5 PSIG

Tables are based upon rated CFM (airflow) across the evaporator coil and should be found under section titled "Refrigerant Charge" elsewhere in manual. If there is any doubt as to correct operating charge being in the system, the charge should be removed, system evacuated, and recharged to serial plate instructions.

TABLE 13

OPTIONAL ACCESSORIES

Model	Description	W	W	W	W	W	W
		H	H	H	H	H	H
		3	3	3	3	3	3
		0	0	0	6	6	6
		1	1	1	1	1	1
		-	-	-	-	-	-
		A	B	C	A	B	C
EHWH30-A05	Heater Packages	X					
EHWH30-A10	Heater Packages	X					
EHWH36-A05	Heater Packages				X		
EHWH36-A10	Heater Packages				X		
EHWH36-A15	Heater Packages				X		
EHWH03-B06	Heater Packages		X			X	
EHWH03-B09	Heater Packages		X			X	
EHWH03-B15	Heater Packages						X
EHWH03-C06	Heater Packages			X			X
EHWH03-C09	Heater Packages			X			X
EHWH03-C15	Heater Packages			X			X
BOP-3	Blank Off Plate	X	X	X	X	X	X
BFAD-3	Barometric Fresh Air Damper	X	X	X	X	X	X
MFAD-3	Motorized Fresh Air Damper	X	X	X	X	X	X
CRV-3	Classroom Ventilator With Exhaust	X	X	X	X	X	X
EIFM-3	Economizer With Exhaust	X	X	X	X	X	X
CME-3	Low Pressure Control (LPC)	X	X	X	X	X	X
CME-7	Low Ambient Control (LAC)	X	X		X	X	
CME-9	LAC + LPC	X	X		X	X	
CME-14	Outdoor Thermostat (OOT)	X			X		
CMC-15	Start Kit (SK)	X			X		
WMCB-05A	Circuit Breaker Kit	X					
WMCB-03B	Circuit Breaker Kit		X			X	
WMPD-01	Circuit Breaker Kit			X			X
WMCB-06A	Circuit Breaker Kit				X		



USE COPPER CONDUCTORS

COMPONENT CODE	DESCRIPTION
CB1	CIRCUIT BREAKER #1
CB2	CIRCUIT BREAKER #2
CC	COMPRESSOR CONTACTOR
COH	COMPRESSOR CAPACITOR HEATER
CR1	CONTROL RELAY
DCC	DUAL CAN CAPACITOR
DFC	DEFEREST CONTROL
DHA	EMERGENCY HEAT RELAY
GND	EQUIPMENT GROUND
H1	HEAT STRIP #1
H2	HEAT STRIP #2
H21	HEATER CONTACTOR #1
H22	HEATER CONTACTOR #2
HPC	HIGH PRESSURE CONTROL
IBC	INDOOR BLOWER CAPACITOR
IBM	INDOOR BLOWER MOTOR
IBR	INDOOR BLOWER RELAY
LAB	LOW AMBIENT BYPASS CONTROL
LAC	LOW AMBIENT CONTROL
LPC	LOW PRESSURE BYPASS CONTROL
LPS	LOW PRESSURE CONTROL
LS	LIMIT SWITCH
OFM	OUTDOOR FAN MOTOR
PL1	PLUS #1
RV	REV. VALVE SOLINOID
SK	START KIT
Y	TRANSFORMER
TB	TERMINAL BLOCK
TBL	TERMINAL BLOCK
TCD	LOW VOLTAGE TERMINAL BLOCK
	THERMAL OFFOFF

△, △ Labeled wires connect if no options used.

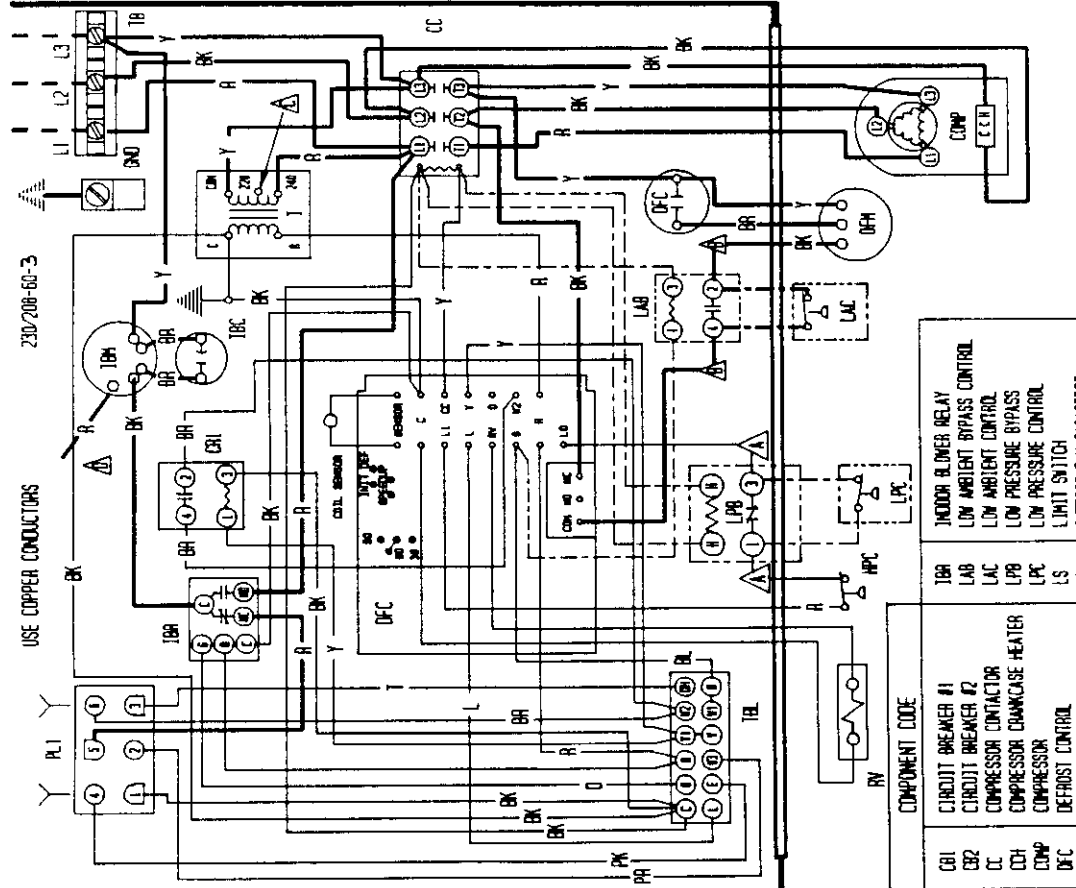
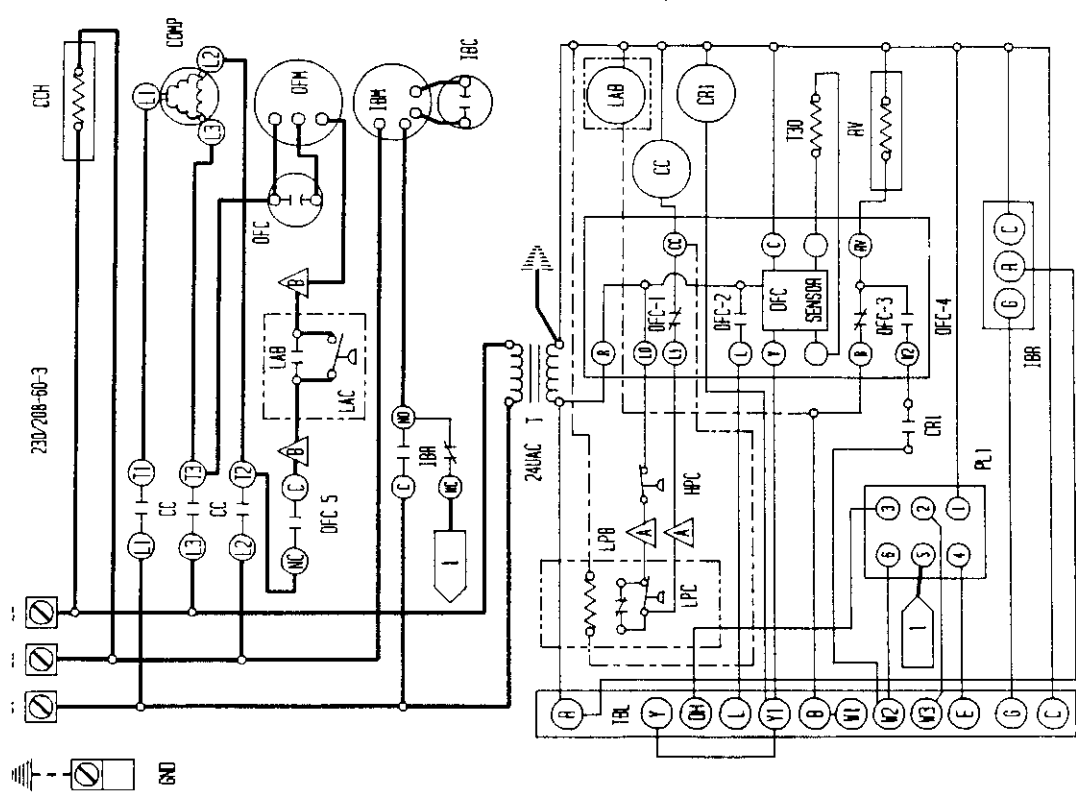
△ MOVE RED WIRE TO 208V TAP FOR 208V OPERATION

△ RED (LOW) BLACK (HIGH)

FACTORY STD.	FIELD	OPTIONAL
HIGH VOLTAGE	---	---
LOW VOLTAGE	---	---
ACCESSORY	---	---

BLACK	BROWN	RED	ORANGE	Y	BL	W	GR	SLATE	VI	PU	PR	PINK	TAN
Y	6	BL	W	Y	BL	W	GR	SLATE	VI	PU	PR	PINK	TAN

BARD MFG. CO.			
DNW	4095-110-A	DATE	4-2-92
DK/APPR			

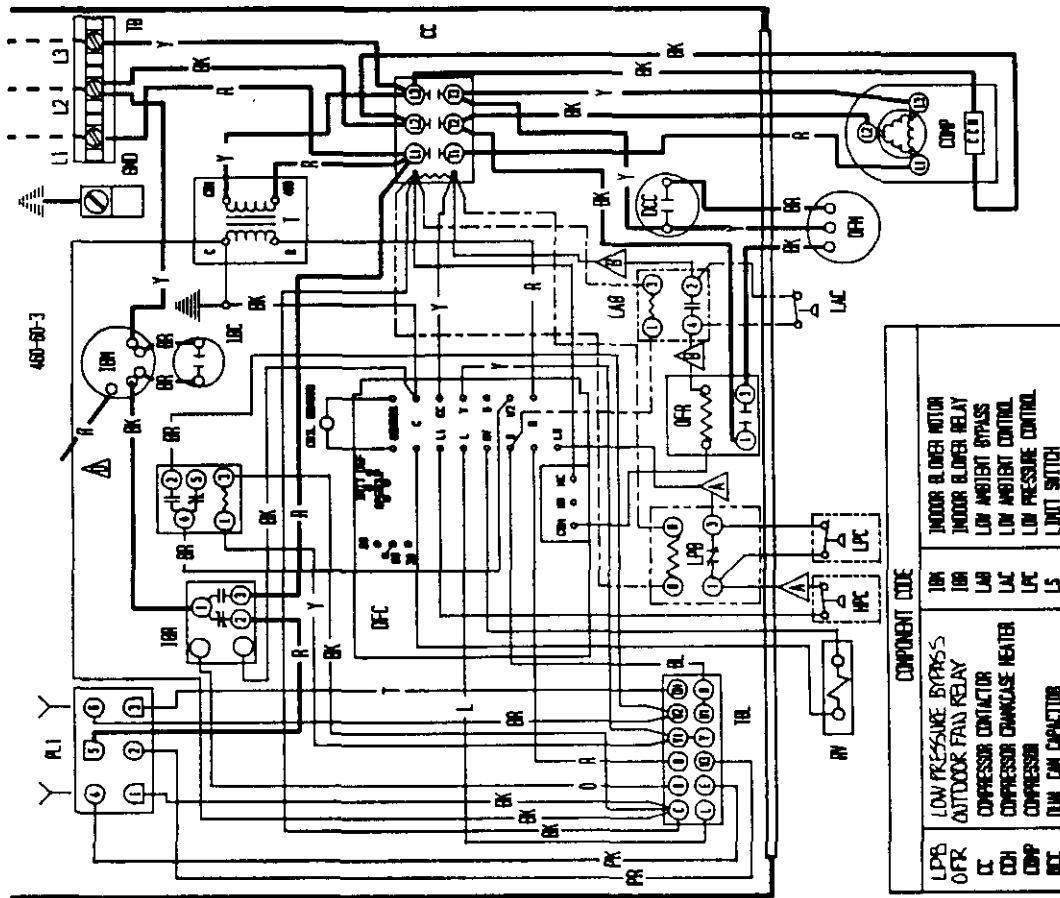
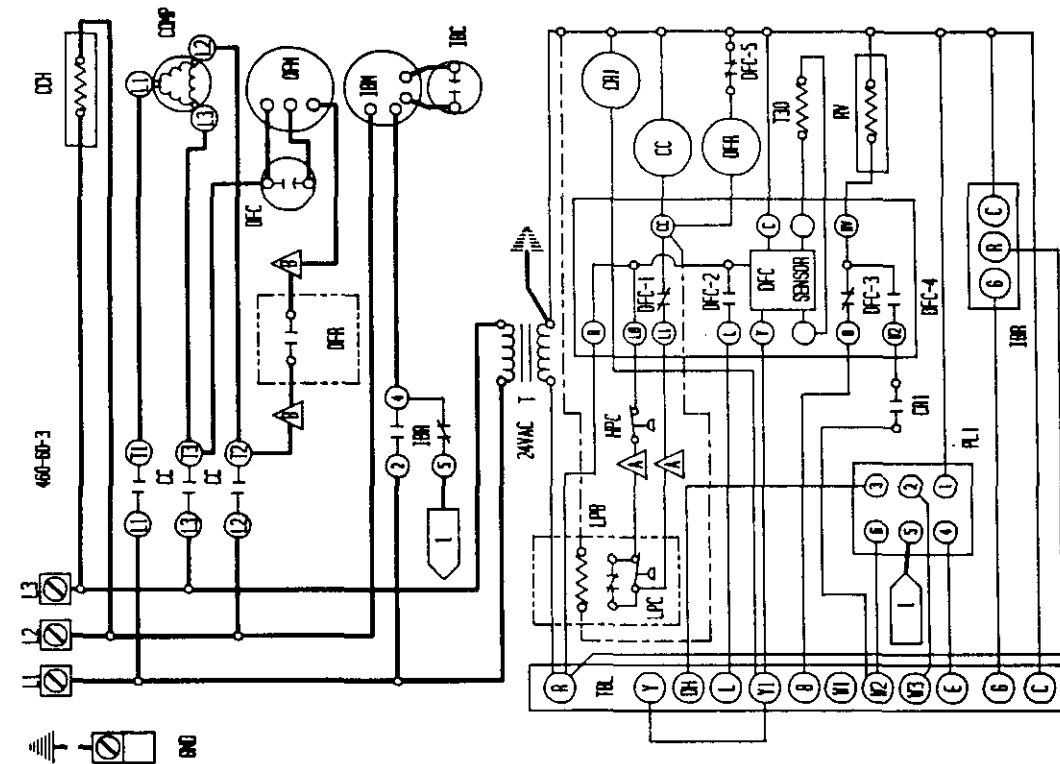


FACTORY STD.		FIELD		OPTIONAL	
HIGH VOLTAGE	---	---	---	---	---
LOW VOLTAGE	---	---	---	---	---
ACCESSORY	---	---	---	---	---

COMPONENT CODE	INDOOR BLOWER RELAY	INDOOR BLOWER CONTROL
CBI	CIRCUIT BREAKER #1	INDOOR BLOWER RELAY
CB2	CIRCUIT BREAKER #2	LOW AMBIENT BYPASS CONTROL
CC	COMPRESSOR CONTACTOR	LOW AMBIENT CONTROL
CCH	COMPRESSOR CHAMBER HEATER	LOW PRESSURE BYPASS
COMP	COMPRESSOR	LOW PRESSURE CONTROL
DFC	DEFROST CONTROL	LIMIT SWITCH
END	EMERGENCY HEAT RELAY	OUTDOOR FAN MOTOR
HR	EQUIPMENT GROUND	OUTDOOR FAN RELAY
H1	HEAT STRIP #1	PL1
H2	HEAT STRIP #2	RY
HCL	HEATER CONTACTOR #1	T8
HCL2	HEATER CONTACTOR #2	T9
HPC	HIGH PRESSURE CONTROL	T10
HPC	HIGH PRESSURE CONTROL	
IBC	INDOOR BLOWER CAPACITOR	
IBM	INDOOR BLOWER MOTOR	

LABELLED WIRES CONNECT IF NO OPTIONS USED.		MOVE RED WIRE TO 208V TAP FOR 208V OPERATION		RED (LOW) BLACK (HIGH)	
Y	BLACK	V	YELLOW	T	TAN
BK	BROWN	G (PR)	GREEN	V	VIOLET
BR	RED	BL	BLUE	P	PURPLE
R	ORANGE	W	WHITE	PK	PINK
D	GRAY	GY	GRAY	L	LAVENDER
	SLATE	(S)	SLATE		

BARD MFG. CO.	
DWG	4086-210A
DATE	
CHK./APPR.	



▲ Labeled wires connect if no options used. ▲ Note red wire to zone tap for zone operation. ▲ Red (low) black (high)

Color Code	Terminal	Function
Black	BK	INDOOR BLOWER MOTOR
Brown	BR	INDOOR BLOWER RELAY
Red	R	INDOOR BLOWER BYPASS
Orange	O	LOW AMBIENT CONTROL
White	W	LOW PRESSURE CONTROL
Yellow	Y	LOW PRESSURE CONTROL
Green	GN	LOW LIMIT SWITCH
Blue	B	OUTDOOR FAN MOTOR
Purple	P	PLUS #1
Pink	PK	PULL DISCONNECT
Tan	TAN	REG. VALVE SOLINOID
Grey	GRY	START KIT
Slate	SLT	TRANSFORMER
Slate	SLT	TERMINAL BLOCK
Slate	SLT	LOW VOLTAGE TERMINAL BLOCK
Slate	SLT	THERMAL CUTOFF

BARB MFG. CO.
 WING: 405F-310 A
 DATE:
 CHK./APP:
 COLOR CODE:
 FACTORY W.D. FIELD OPTIONAL

Component Code	Terminal	Function
LPS	LPS	LOW PRESSURE BYPASS
OFR	OFR	OUTDOOR FAN RELAY
CC	CC	COMPRESSOR CONTACTOR
COH	COH	COMPRESSOR CHANGEOVER HEATER
OFR	OFR	COMPRESSOR
DLW	DLW	DUAL LOW CAPACITOR
DEF	DEF	DEFROST CONTROL
CHG	CHG	EMERGENCY HEAT RELAY
BRD	BRD	GROUND
B1	B1	HEAT STRIP #1
B2	B2	HEAT STRIP #2
BCT	BCT	HEATER CONTACTOR #1
BCC	BCC	HEATER CONTACTOR #2
HPC	HPC	HIGH PRESSURE CONTROL
IBC	IBC	INDOOR BLOWER CAPACITOR

