

INSTALLATION INSTRUCTIONS HIGH EFFICIENCY GAS FURNACE

IMPORTANT

READ ALL INSTRUCTIONS CAREFULLY BEFORE BEGINNING THE INSTALLATION.

MODELS:

HI-BOY

NCH050D30A

NCH065D36A

NCH080D48A

NCH095D60A

IMPORTANT NOTICE

THIS FURNACE IS NOT INTENDED FOR USE AS A CONSTRUCTION HEATER.

USE OF THIS FURNACE DURING CONSTRUCTION AND FINISHING PHASES OF A STRUCTURE IS CONSIDERED AS "OPERATION IN A CORROSIVE ATMOSPHERE" AND "UNUSUAL, NEGLIGENT OR IMPROPER USE" AND AS SUCH ARE CONSIDERED <u>EXCLUSIONS</u> BY THE LIMITED WARRANTY.
--

NATIONAL PLUMBING STORES 1108 CITY PARK P. O. BOX 1050 COLUMBUS, OH 43216
--

PHONE: 614-443-7411 FAX: 614-444-7808
--

MANUAL 2100-210 REV. SUPERSEDES REV.

1	Getting Other Information and Publications	3
2	Important Safety Rules	4
3	Meeting Codes	5
4	Application	5
5	Sizing of Furnace	6
6	Locating the Furnace	7
7	Duct Work	8
8	Electrical, Gas, Drain, and Supply Air Duct Connections	9
9	Ventilation Air	10
10	Vent and Combustion Air Intake Piping System Design	10
11	Joining Pipe and Fittings	15
12	Vertical Venting	16
13	Horizontal Venting	17
14	Vent Resizing Instructions (Replacement Furnaces Only)	20
15	Condensate Drain	21
16	Condensate Pump and Neutralizer	21
17	Gas Supply and Piping	22
18	Checking Gas Input	24
19	Gas Pressure Specifications	25
20	Standard Orifice Sizing and High Altitude Derate	26
21	Wiring Specifications	28
22	Wiring Diagram	29
23	Thermostat	30
24	Blower Operation	32
25	Air Filters	33
26	Lighting and Operating Instructions	34
27	Sequence of Operation	35
28	Integrated Furnace Control (IFC)	36
29	Accessory Wiring	38
30	Routine Maintenance Instructions	39
31	Servicing The Furnace	40
32	Replacement Parts	44

SECTION 1 --GETTING OTHER INFORMATION AND PUBLICATIONS

These publications can help you install the furnace. You can usually find these at your local library or purchase them directly from the publisher. Be sure to consult current edition of each standard.

National Fuel Gas Code	-ANSI Z223.1/NFPA 54
National Electrical Code	-ANSI/NFPA 70
Standard For The Installation Of Air Conditioning and Ventilating Systems	-ANSI/NFPA 90A
Standard For Warm Air Heating and Air Conditioning Systems	-ANSI/NFPA 90B
Standard For Chimneys, Fireplaces, Vents, and Solid Fuel Burning Appliances	-NFPA 211
Load Calculation For Residential Winter and Summer Air Conditioning	-ACCA Manual J
Duct Design For Residential Winter and Summer Air Conditioning and Equipment Selection	-ACCA Manual D

FOR MORE INFORMATION, CONTACT THESE PUBLISHERS

ACCA:	AIR CONDITIONING CONTRACTORS OF AMERICA 1513 16th Street NW Washington, DC 20036 Telephone: (202) 483-9370	Fax: (202) 234-4721
ANSI:	AMERICAN NATIONAL STANDARDS INSTITUTE 1430 Broadway New York, NY 10018 Telephone: (212) 354-3300	Fax: (212) 302-1286
ASHRAE:	AMERICAN SOCIETY OF HEATING REFRIGERATING AND AIR CONDITIONING ENGINEERS, INCORPORATED 1791 Tullie Circle, N.E. Atlanta, GA 30329-2305 Telephone: (404) 636-8400	Fax: (404) 321-5478
NFPA:	NATIONAL FIRE PROTECTION ASSOCIATION Batterymarch Park P. O. Box 9101 Quincy, MA 02269-9901 Telephone: (800) 344-3555	Fax: (617) 984-7057

SECTION 2 -- IMPORTANT SAFETY RULES

WARNING: Read and exactly follow these rules. Failure to do so could cause improper furnace operation, resulting in damage, injury or death.

A. Signal words.

To alert you to potential hazards, we use the signal words **"WARNING"** and **"CAUTION"** throughout this manual. **"WARNING"** alerts you to situations that could cause serious injury or death. **"CAUTION"** alerts you to situations that could cause minor or moderate injury or property damage. To help you, we use the words "must" and "should" in this manual. "Must" is mandatory. "Should" is advisory.

"IMPORTANT" is used to draw your attention to information that is high priority.

B. Use only the type of gas approved for this furnace; refer to furnace rating plate.

WARNING
Only use natural gas in furnaces designed for natural gas. Only use Propane (LP) gas for furnaces designed for Propane (LP) gas. Make sure furnace will operate properly on gas type available to user. Do not use this furnace with butane. Using wrong gas could create a hazard, resulting in damage, injury, or death.

- C. **DO NOT** install this furnace outdoors or in a mobile home, trailer, or recreational vehicle. It is not AGA design-certified for these installations. This furnace is suitable for a home built on site or manufactured home completed at final site. See Section 4 for more information.
- D. Carefully choose furnace installation site. **DO NOT** directly expose furnace to drafts, wind or other outdoor conditions.
- E. **DO NOT** install furnace in a corrosive or contaminated atmosphere. See Section 4 for more information.
- F. **DO NOT** use this furnace during construction when adhesives, sealers, and/or new carpets are being installed. See Section 4 for more information.
- G. Provide adequate ventilation air to space where furnace is being installed. See Section 9 for more information.
- H. Connect this furnace to an approved vent and combustion air intake system. See Section 10 for more information.
- I. Never test for gas leaks with an open flame. Use a commercial soap made specifically for leak detection to check all connections. See Section 17 for more information.
- J. Always install duct system with furnace. Be sure duct system has external static pressure within allowable furnace range. See Section 7 for more information.
- K. Completely seal supply and return air ducts to furnace casing. Duct work must run to an area outside furnace air space. Seal duct work wherever it runs through walls, ceilings or floors. See Section 7 for more information.

SECTION 3 -- MEETING CODES

Before installing furnace, make sure you know all applicable codes. National, state and local codes may take precedence over any instructions in this manual. Be sure to consult:

- Authorities having jurisdiction over furnaces;
- Local code authorities for information on electrical wiring, gas piping and vent pipe;
- Current National Fuel Gas Code ANSI/NFPA 54;
- Current National Electrical Code ANSI/NFPA 70.

See Section 1 for information on getting copies of these codes.

SECTION 4 -- APPLICATION

This is a fan-assisted Category IV forced air direct vent gas furnace for indoor installation in building constructed on site. The furnace installation must conform with local building codes and ordinances or, in their absence with the National Fuel Gas Code, ANSI Z223.1-latest edition, and the National Electrical Code, ANSI/NFPA 70-latest edition. It is the personal responsibility and obligation of the purchaser to contract a qualified installer to assure that installation is adequate and is in conformance with governing codes and ordinances.

***** IMPORTANT NOTICE *****
THIS FURNACE IS NOT INTENDED FOR USE AS A CONSTRUCTION HEATER.
USE OF THIS FURNACE DURING CONSTRUCTION AND FINISHING PHASES OF A STRUCTURE IS CONSIDERED AS "OPERATION IN A CORROSIVE ATMOSPHERE" AND "UNUSUAL, NEGLIGENT OR IMPROPER USE" AND AS SUCH ARE CONSIDERED EXCLUSIONS BY THE BARD MANUFACTURING COMPANY LIMITED WARRANTY.

When a furnace is used as a construction heater, it is operated under unusual and abnormal conditions that can cause condensation to occur in some portions of the MCH-series furnaces that will not condense under normal operation conditions when properly sized, installed and set-up for operation.

Combined with condensation problems are the many sources of chloride that are present in high concentrations during construction phases of a structure. These chloride sources are either very reduced or the vapors have left once the construction activities are completed and the structure is ready to occupy.

Many of the more common construction sources of chlorides are listed below, and they are usually present in large quantities.

Cement/Concrete Mixtures	Tile/Counter Cements
Paint	Adhesives
Stain, Varnish	Cements and Glues
Solvents	Dust Particles
Wood Preservatives	Foam Insulations
Floor Sealers	

SECTION 5 -- SIZING OF FURNACE

The sizing of high efficiency gas furnaces for both new and replacement installations is critical due to condensing design of the appliances. Oversizing of the furnace for any application can cause short cycling (short on-time) conditions, and this in turn permits condensate to occur in locations within the furnace where it was not intended to be.

It is a normal occurrence for some condensate to form in the upper areas of the primary heat exchanger and in the combustion air blower section of the furnace on start-up. As the furnace attains normal operating conditions, these areas dry up, and all condensing takes place in the secondary stainless steel heat exchanger.

Short-cycling of the furnace permits condensate to form in some areas and never dry up. This continuously wet condition can lead to corrosion and metal deterioration causing premature failure of those components.

The following guidelines must be used to properly size and select the furnace for all applications:

1. Always conduct an accurate heating load calculation using appropriate methods, typically Air Conditioning Contractors of America (ACCA) Manual J.
2. Always use the correct outdoor and indoor design temperatures for the area; the actual dimensional information for the structure; the correct insulation values for windows, doors, walls, and ceilings; make sure that the correct values are used for the tightness of the building; and all other characteristics are input correctly into the calculation. There is no need to inflate or adjust any of these values just to make sure the furnace will be large enough. There is adequate safety factor built into Manual J, and any deviation from real or actual values will cause a potentially gross oversizing.
3. Always make the furnace selection based upon the useful heat rating of the furnace expressed as heating capacity or output Btuh. Never use input capacity.
4. Never make a furnace selection based upon the size of the previous furnace. It was undoubtedly grossly oversized to begin with, and very probably energy efficiency improvements were done to the structure over time further reducing the Btu requirement.
5. The NCH series 90+ gas furnaces are available in six heating output capacities. A nominal 15 percent oversizing and 10 percent undersizing rule should be used in determining which furnace should be installed. The following chart will assist in furnace selection:

Calculated Heat Loss Range(Btuh)	28,000-36,000	36,001-50,000	50,001-63,000	63,001-75,000	75,001-92,000	92,001-114,000
Use Furnace Output Rating	NCH036D30A	NCH050D30A	NCH065D36A	NCH080D48A	NCH095D60A	NCH115D60A

It is important to remember that furnace selections are made based upon the winter outdoor design conditions, and that very few hours of operation per year are at or near that temperature. And when the outdoor temperature is at the winter design condition, a correctly sized furnace will be operating the majority of the time with few and/or short off cycles.

Approximately 85 percent of the operating time of a typical furnace is when the building heat loss is only 10-80 percent of the winter design heat loss rating of the building, so it is essential not to oversize the furnace by either having an inflated calculated heat loss and/or picking one size larger furnace than calculated just to be sure.

SECTION 6 -- LOCATING THE FURNACE

When selecting a location for the furnace, observe the following rules.

1. The furnace should be set on a level floor. If the floor may become damp or wet at times, the furnace should be supported above the floor using a concrete base, bricks, patio blocks, etc., making sure adequate support is available for the furnace. Furnace approved for installation on combustible flooring shall not be installed directly on carpeting, tile or other combustible material other than wood flooring.
2. The furnace should be as centralized as practical with respect to the air distribution system.
3. The vent and air intake pipe should be as short as practical but must be at least 10 feet and no more than 65 feet in total equivalent length from furnace to the outside termination point. See Section 10 for more information.
4. Provide at least the minimum clearances specified in Table 1 for fire protection, proper operation and service access. These clearances must be permanently maintained. The ventilating air openings in the front of the furnace must never be obstructed.
5. All models are approved for either closet or alcove installation. An alcove is similar to a closet except there is no door permitted to enclose the front of furnace. See Table 1 for approved installation.
6. Fresh air for combustion must be piped from the outside of the building to the connection on the burner enclosure. See Section 10 for more information.
7. Minimum service clearances must take precedence over fire protection clearances (minimum installation clearances).
8. A gas-fired furnace installed in a residential garage must be installed so that the burners and ignition source are located not less than 18 inches above the floor, and the furnace must be located or protected to avoid physical damage by vehicles.
9. This furnace must be installed as to protect all electrical components from exposure to condensation and/or water.

CAUTION
DO NOT locate furnace where temperature may drop below freezing as condensate may freeze resulting in improper operation or furnace damage.

WARNING
DO NOT store combustible materials near furnace or warm air ducts. The material may ignite by spontaneous combustion creating a fire hazard.

TABLE 1 MINIMUM CLEARANCES (INCHES)

Minimum Installation Clearances											Minimum Service Clearances			Minimum Ventilation Openings For Confined Spaces-- Square Inches Of Free Area (2)
Model	Type Of Installation	Furnace				Plenum			(1) Vent Pipe	Floor	Front	Back	Sides	
		Front	Back	Left Side	Right Side	Top	Sides	Duct						
NCH050D30A	Closet	4	0	0	0	1	1	1	0	C	24	0	0	100 (2 req'd)
NCH065D36A	Closet	4	0	0	0	1	1	1	0	C	24	0	0	100 (2 req'd)
NCH080D48A	Closet	4	0	0	0	1	1	1	0	C	24	0	0	100 (2 req'd)
NCH095D60A	Closet	4	0	0	0	1	1	1	0	C	24	0	0	100 (2 req'd)

(1) For the first three (3) feet from plenum. After the first three (3) feet, no clearance required.
 (2) See Section 9--Ventilation Air--for additional information.
 C Floor may be combustible material.

SECTION 7 -- DUCT WORK

Inadequate Supply Air and/or Return Air Duct Systems. Short cycling because of limit control operation can be created by incorrectly designed or installed supply and/or return air duct systems.

The duct systems must be designed using ASHRAE or ACCA design manuals and the equipment cfm and external static pressure ratings to insure proper air delivery capabilities.

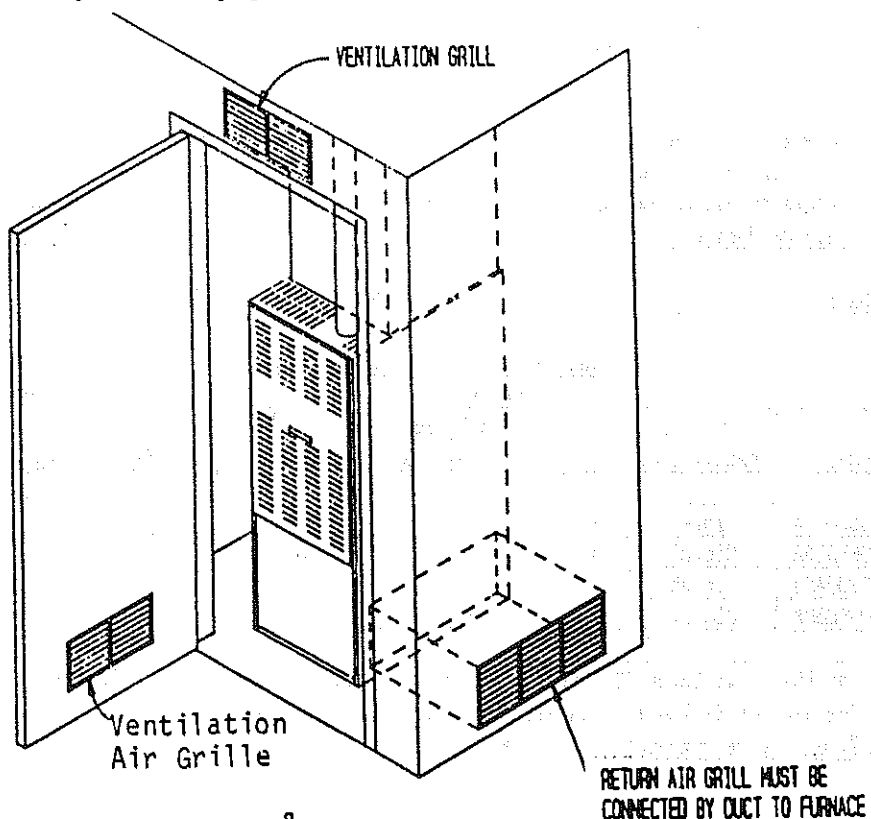
On replacement installations, particularly if equipment is oversized, the duct systems can easily be undersized. Modifications may be required to assure that the equipment is operating within the approved temperature rise range when under full input conditions, and that no short cycling on limit controls is occurring.

WARNING
When a furnace is installed so that supply ducts carry air circulated by the furnace to areas outside the space containing the furnace, the return air must also be handled by a duct(s) sealed to the furnace casing and terminating outside the space containing the furnace.
This is to prevent drawing possibly hazardous combustion products into the circulated air which can result in bodily injury or death.

When the furnace is used in connection with a cooling unit*, the furnace shall be installed parallel with or on the upstream side of the cooling unit to avoid condensation in the heating element. With a parallel flow arrangement, the dampers or other means used to control flow of air shall be adequate to prevent chilled air from entering the furnace and, if manually operated, must be equipped with means to prevent operation of either unit, unless the damper is in the full heat or cool position.

*A cooling unit is an air conditioning coil, heat pump coil or chilled water coil.

FIGURE 1
FURNACE LOCATED
IN CONFINED SPACE



SECTION 8 -- ELECTRICAL, GAS, DRAIN, AND SUPPLY AIR DUCT CONNECTIONS

Shown below are the electrical, gas and drain entrance/exit locations available on the furnace. There is a single fixed connection point for both the 115V electrical supply and 24V thermostat wiring. There is an optional left or right side entrance/exit point for the gas piping, condensate drain tubing, and optional accessory wiring harness for field supplied and installed electronic air cleaner and humidifier.

For attachment of supply air duct system, there are two methods provided:

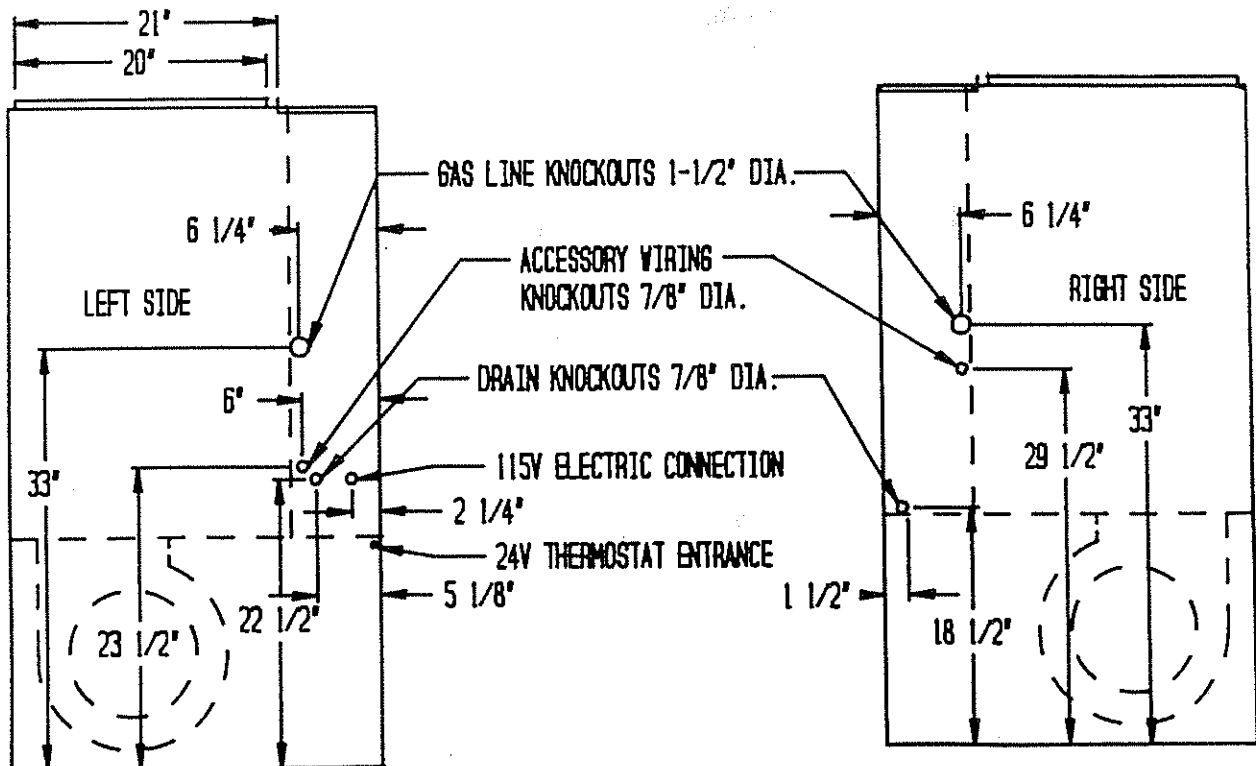
1. If optional Cooling Coil Cabinet is used, it will fit over the 20" connection depicted in Figure 1A. The coil cabinets are designed to accommodate the standard A-coil evaporator sections.
2. If the optional coil cabinet is not used, installing a plenum 21" deep x required width and using the forward plenum flange 21" from back flange will better facilitate later installation of the A-coil evaporator sections which have a 20-1/2" pan dimension.

The 20" dimension can be used but would require an offset cover door be fabricated to accommodate the 20-1/2" A-coil dimension if decided to install at a later date.

TABLE 1A

SUPPLY AIR DUCT CONNECTIONS		
Model	If Coil Cabinet Is Used W x D	If No Coil Cabinet Is Used W x D
NCH050D30A NCH065D36A	18 x 20	18 x 21
NCH080D48A NCH095D60A	22 x 20	22 x 21

FIGURE 1A



SECTION 9 -- VENTILATION AIR

If the furnace is installed in a closet or utility room, ventilating air must be allowed to enter the room through two permanent openings of equal area. One opening shall be located within twelve (12) inches of the ceiling and one opening within twelve (12) inches of the floor. Each opening shall have a face area of 100 square inches minimum of free area. If grilles are used, the opening will need to be larger to provide the 100 square inches of free area due to the grille restriction. Consult grille catalog to determine free area of various grilles. See Figure 2 for more information.

SECTION 10 -- VENT AND COMBUSTION AIR INTAKE PIPING SYSTEM DESIGN

This furnace must be vented to the outdoors with round PVC (poly-vinyl chloride) or ABS (acrylonitrile--butadiene-styrene) Schedule 40 pipe fittings. See Table 2 for vent and air intake pipe size selection. Both vent and air intake pipes must be the same size and approximately the same total length in equivalent feet, and neither is to exceed the total length shown in Table 2.

This furnace must use outside air for combustion. Failure to connect the air intake to the outside may result in premature failure of the heat exchanger(s), and will affect operation whenever there are any wind conditions. Connection of the air intake is a requirement for limited lifetime warranty of primary and secondary heat exchanger to be in effect.

This furnace removes both sensible and latent heat from the combustion flue gases. Removal of latent heat results in condensation of flue gas water vapor. This condensed water vapor drains from the secondary heat exchanger into a 29-4C stainless steel drain pan. The condensate exits the drain pan by means of 3/8 I.D. vinyl hose. See Section 15 for drain information.

FIGURE 2

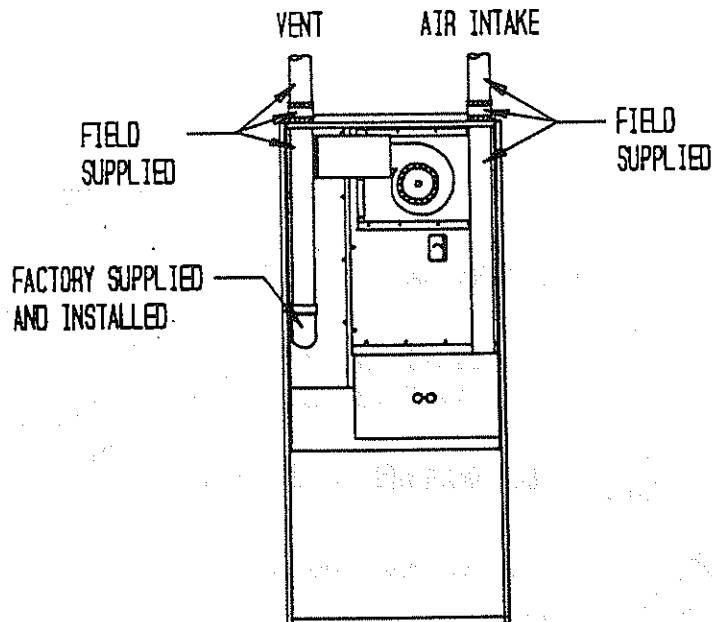


TABLE 2 PROPER VENT AND AIR INTAKE SELECTION

Furnace Models	Vent & Air Intake Length and Size *
NCH050D30A, NCH065D36A	8 - 30 ft. x 2", OR 8 - 65 ft. x 2-1/2", OR 8 - 65 ft. x 3"
NCH080D48A, NCH095D60A	8 - 65 ft. x 3"
*Vent length is in equivalent feet measurement. Refer to Item 1, General Instructions below.	

IMPORTANT
For <u>horizontal</u> vent systems see special vent termination information in Section 13.

This vent must be in accordance with Part 7, Venting of Equipment, of the National Fuel Gas Code, ANSI Z223.1-latest edition, and Addenda Z223.1a--latest edition, or applicable provisions of the local building codes.

CAUTION
Each vent must serve only one furnace. Connecting more than one furnace to a vent system will cause one or both furnaces to malfunction.

WARNING
Do not connect vent to an existing masonry chimney or vent. Failure to adhere to this warning can result in property damage, bodily injury, or death.

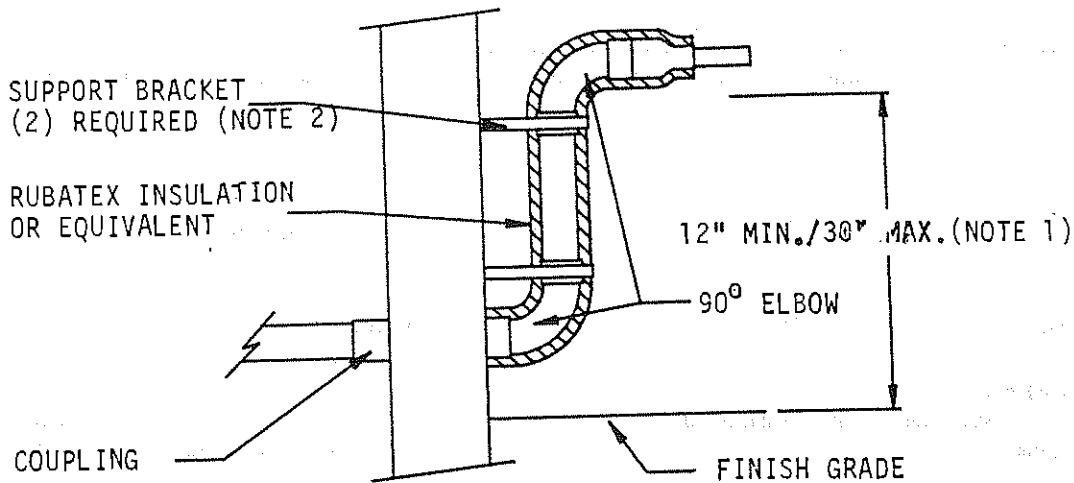
General Instructions

1. The maximum length in equivalent feet for vent and air intake piping system is shown in Table 2 with each 45° elbow counting as 2-1/2 feet and each 90° elbow counting as 5 feet. Do not count the elbow within the furnace cabinet in this measurement. Drainage type (long radius) elbows should be used. Pressure type (short radius 90° elbows count as 10 equivalent feet.

Example: 20 feet of straight vent pipe with 3 - 90° long radius elbows equals 35 equivalent feet.
2. Minimum horizontal piping length is 3 feet and 1 elbow.
3. A maximum of 5 elbows are permitted in the piping system.
4. Pipe diameter must not be reduced.
5. All horizontal runs must slope upwards not less than 1/4 inch per foot from the furnace to the vent and air intake terminal.
6. All horizontal pipe runs must be supported at least every 4 feet with metal pipe strapping. No sags or dips or low spots are permitted.
7. Do not install the piping system in the same chase with a vent from another gas or other fuel burning appliance.

8. For any sections of the piping system in free air, do not install the pipe within 6 inches of a single wall vent pipe (2 inch B-vent) from another gas or other fuel burning appliance.
9. The piping system can be run in the same chase or adjacent to supply or vent pipe for water supply or waste plumbing.
10. The vent pipe must be insulated if there is any chance of condensate freezing inside the pipe. This can occur if the vent pipe passes through an unconditioned space such as attic, crawl, uninsulated chase or a masonry chimney. It can also occur where the vent terminates above the roof or if an exterior vertical riser (Figure 3) is used to get above snow levels. Local climatic conditions and vent length must be considered. If vent height above roof exceeds 12 inches because of snow accumulation, it must be insulated.

FIGURE 3



(NOTE 1) If installation requires rise greater than 30" above grade, an alternate exit location or interior vertical vent/air intake system should be used.

(NOTE 2) Brackets should be designed to securely hold and position riser piping to prevent movement in any direction, including back towards wall.

IMPORTANT: Short cycling conditions by pressure switch operation can be created by vent system installations that have too much restriction (pressure drop) because of too many elbows, too much equivalent feet length, not the proper slope on horizontal runs, sag or low spots in horizontal piping sections creating condensation collection points, or incorrect vent terminal application or location.

Types Of Insulation

FOR INDOOR OR OUTDOOR USE

Armaflex closed cell foam or equal. Recommended thickness is one inch. Additional layers may be required for extreme cold climate conditions.

FOR INDOOR USE ONLY

Fiberglass insulation with vapor barrier, or equal. Recommended thickness of 1 inch up to 10 feet. 2 inch thickness if unconditioned exposure exceeds 10 feet.

Connecting Piping System To The Furnace

The furnace is shipped from the factory with a 2" PVC street ell installed in the furnace vestibule.

The vent is constructed in the field by installing the 2" PVC or ABS pipe into the 2" PVC street ell connected to furnace. No-hub connectors are recommended at top of furnace for ease of any service requirements at a later date.

The air intake pipe connects directly to the burner box by being placed over a short section of aluminum tubing crimped to the burner box.

See Figure 4 for details on making both connections to the furnace.

See Figure 5 for details on upsizing the piping system as required by Table 3.

See Figure 6 for details on how to use two 45° elbows to offset air intake pipe to provide clear access to add-on air conditioning coil refrigerant lines and condensate drain connections.

FIGURE 4

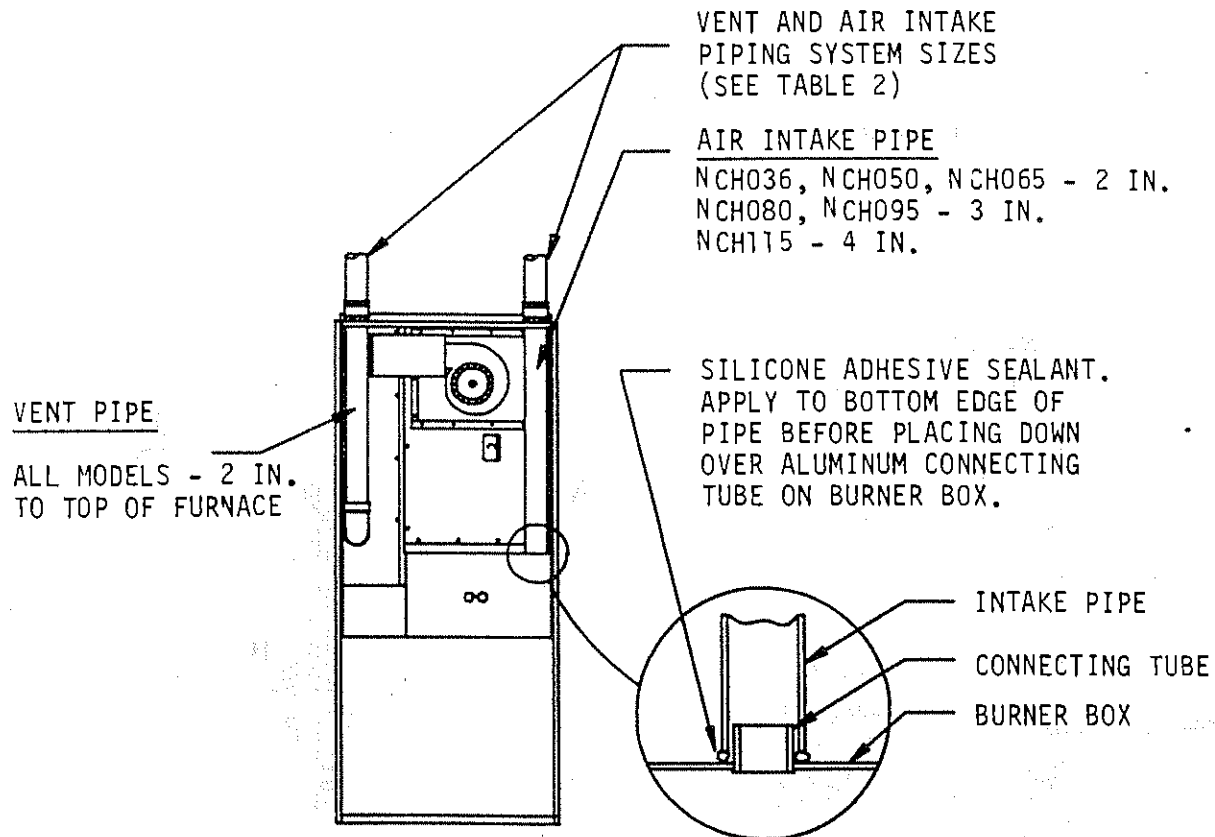
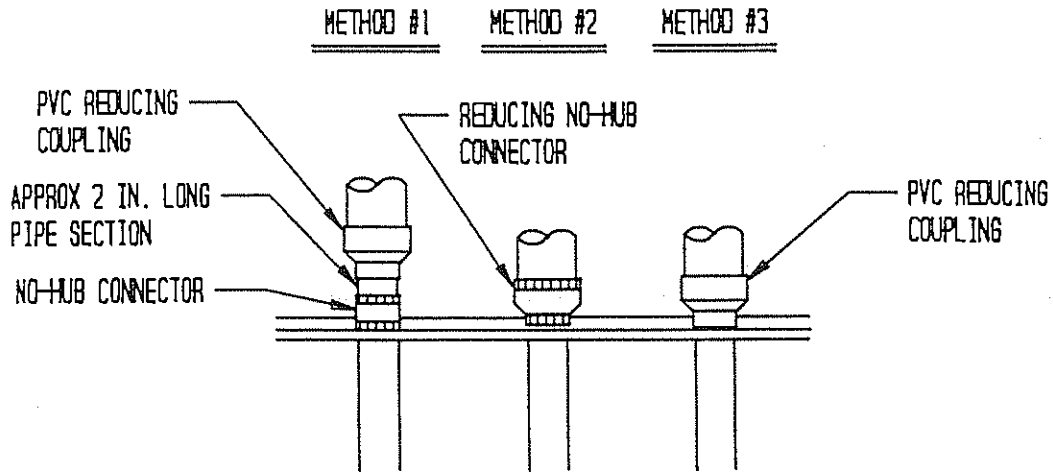


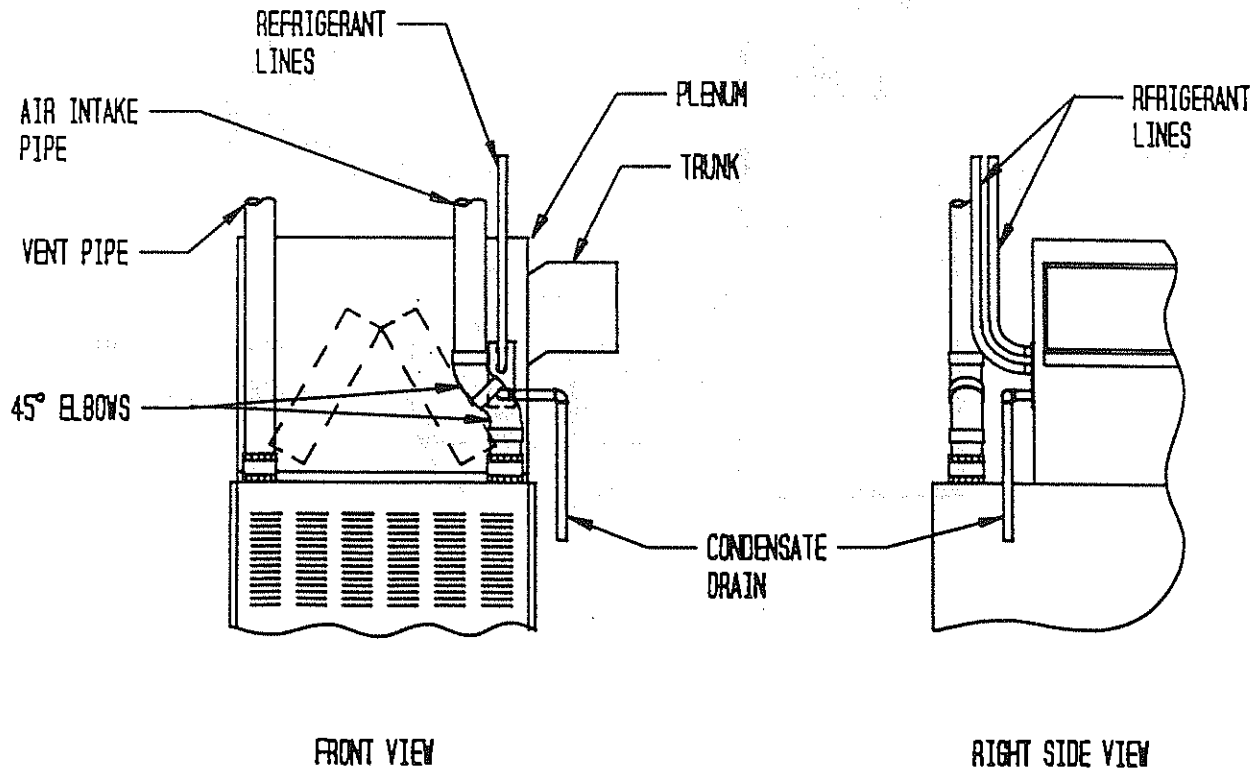
FIGURE 5

RECOMMENDED METHODS FOR VENT AND AIR INTAKE
PIPE UPSIZING AT TOP OF FURNACE



NOTE: METHODS #1 OR #2 RECOMMENDED FOR EASE OF SERVICE

FIGURE 6



SECTION 11 -- JOINING PIPE AND FITTINGS

All pipe, fittings, solvent cement, primers and procedures must conform to American National Standard Institute and American Society for Testing and materials (ANSI/ASTM) standards.

Pipe and Fittings--All connections must be made using clean-primer and all purpose solvent cement rated to ASTM Standards D-2564, D-2846, and D-2235.

WARNING
<ul style="list-style-type: none">• Danger of fire or bodily injury.• Solvent cements and primers are highly flammable.• Provide adequate ventilation and DO NOT assemble near heat source or open flame. DO NOT smoke.• Avoid skin or eye contact. Observe all cautions and warnings printed on material containers.

All joints in the piping system must be properly sealed using the following material and procedure.

IMPORTANT
<p>FOR PROPER INSTALLATION:</p> <p>DO NOT use solvent cement that has become curled, lumpy or thickened.</p> <p>DO NOT thin. Observe shelf precautions printed on containers.</p> <p>For applications below 40° F use only low temperature type solvent cement.</p>

1. Cut pipe end square, remove ragged edges and burrs. Chamfer end of pipe, then clean fitting socket and pipe joint area of all dirt, grease or moisture.
2. After checking pipe and socket for proper fit, wipe socket and pipe with cleaner-primer. Apply a liberal coat of primer to inside surface of socket and outside of pipe. DO NOT ALLOW PRIMER TO DRY BEFORE APPLYING CEMENT.
3. Apply a thin coat of cement evenly in the socket. Quickly apply a heavy coat of cement to the pipe end and insert pipe into fitting with a slight twisting movement until it bottoms out.

NOTE: Cement must be fluid, if not, recoat.

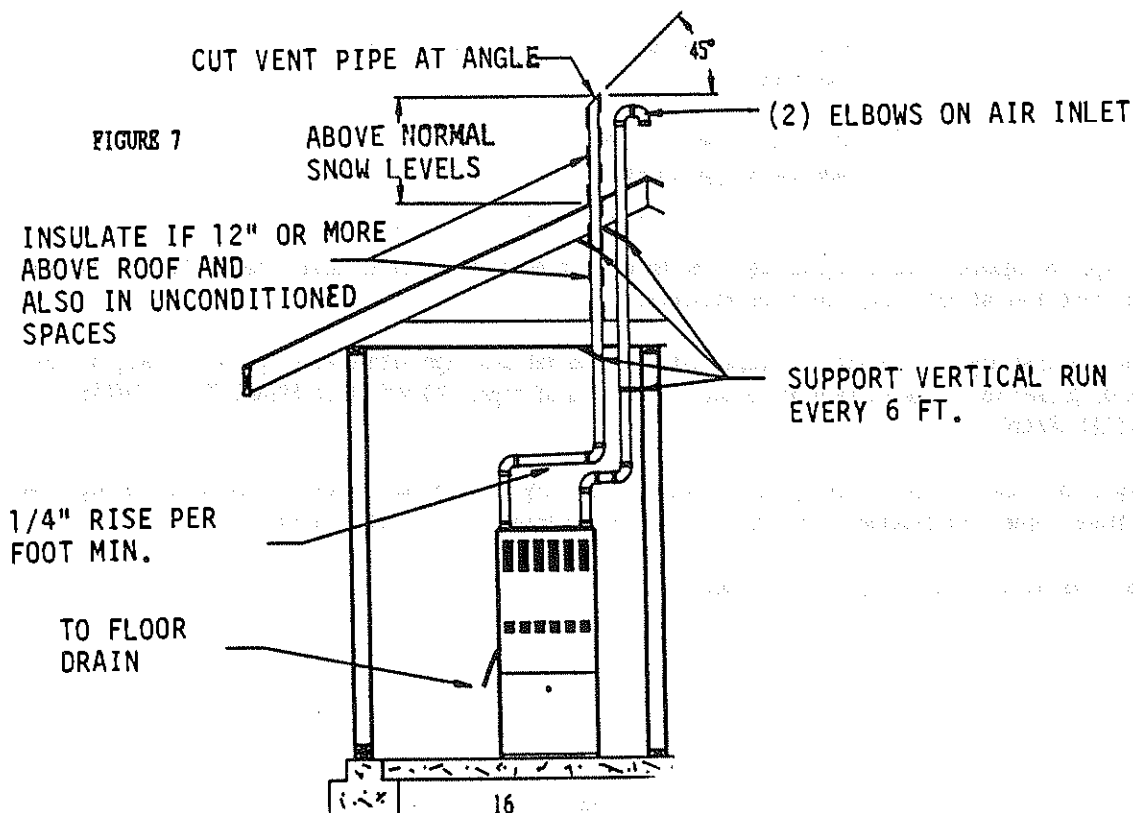
4. Hold the pipe in the fitting for 30 seconds to prevent the tapered socket from pushing the pipe out of the fitting.
5. Wipe all excess cement from the joint with a rag. Allow 15 minutes before handling. Cure time varies accordingly to fit, temperature and humidity.

NOTE: Stir the solvent cement frequently while using. Use a natural bristle brush or the dauber supplied with the can. The proper size is one inch.

SECTION 12 -- VERTICAL VENTING

A typical vent installation is shown in Figure 7.

1. When vent penetrates through the roof and is brought above anticipated snow level, the pipe should be cut off on a 45° angle. This will help prevent freezing and blockage of the vent system.
2. The air intake pipe should have two 90° elbows installed with opening on bottom to prevent water entrance. A bird screen is provided to insert into open end of elbow.
3. Vent pipe running through an unconditioned space must be insulated. See "Types of Insulation" in Section 10.
4. An interior masonry chimney can be used as a chase as long as steps 8 and 9 under General Instructions are followed.
5. If an exterior masonry chimney is used as a raceway or chase, the vent piping must be insulated. See "Types of Insulation" in Section 10. If a B-vent for a water heater is also run up through the same chimney, a minimum of one inch clearance from the insulation to the B-vent must be maintained at all points.
6. For either an interior or exterior chimney, the top of the chimney must be sealed with a metal cap to prevent cold air from blowing into the chimney and surrounding the vent pipe(s).



SECTION 13 -- HORIZONTAL VENTING

The furnace may be vented horizontally through an outside wall, using all of the applicable instructions under Vent Pipe Installation with these additional requirements. The requirements and limitations for Horizontal Venting are very strict. ALL HORIZONTAL VENT INSTALLATIONS MUST BE MADE IN ACCORDANCE WITH THESE INSTRUCTIONS.

Vent Air Intake Terminal Location

The vent and air intake terminal location must meet the requirements listed in the following instructions or applicable codes, whichever specifies the most clearance or strictest limitations. See Table 3 for sizing requirements.

IMPORTANT	CAUTION
<p>The combustion products and moisture in the flue gases may condense as they leave the terminal fitting. The condensate may freeze on the exterior wall, under the eaves and on surrounding objects. Some discoloration to the exterior of the building may occur.</p>	<p>As a natural part of the unit's operation, normal products of combustion, including water vapor are vented to the atmosphere. Since the outside air temperature can be well below 32°F, it is possible that the water vapor in the exhaust will freeze, causing an ice buildup around the discharge opening of the pipe. During periods of extremely cold weather and prolonged operation of the furnace, this ice build-up could become quite large. The manufacturer does not recommend the installation of these units in locations above frequent vehicular and/or pedestrian traffic. The ice build-up could present a potentially hazardous situation if it becomes dislodged. The manufacturer will NOT be held responsible for any injury or property damage resulting from any improper installation.</p>

Location Requirements--Horizontal (Sidewall) Installation

The vent and air intake terminal must be installed with the following minimum clearances and requirements:

1. The vent and air intake terminals must be located not less than 10 inches or more than 20 inches on centerline. The two terminals must be in a side by side relationship to one another within this requirement. See Figure 8.
2. Bird screens are provided for vent and air intake terminals. See Figure 9.
3. 12 inches minimum above ground level, and above anticipated normal snow levels. See Figure 9 and 16.

NOTE: Ice or snow may cause the furnace to shut down if the vent or air intake becomes obstructed. If required, use a vertical riser or shield vent and air intake to prevent blockage from drifting snow. See Figure 3. All fittings and pipe for riser must be included in total equivalent feet calculation. Refer to Section 10, General Instructions, Item 1.

4. Not above the walkway or area that may cause a hazard or nuisance or be detrimental to the operation of other equipment.
5. 4 feet minimum from and not above or below any door, window, gravity inlet or forced air inlet for the building.
6. 4 feet minimum horizontal clearance from electric meters, gas meters, regulators, and relief equipment.
7. At least 4 feet from any soffit or under eave vent.
8. Do not vent under any kind of patio or deck.
9. Locate vent and air intake terminal on the side of the building away from prevailing winter winds when practical.
10. Do not locate too close to shrubbery as condensate may stunt or kill them.
11. Caulk all cracks, seams, and joints within 3 feet of vent.

TABLE 3 VENT AND AIR INTAKE TERMINALS (See Figure 9)

Pipe Size (A) Note 1	Air Intake Terminal		Vent Terminal		
	Tee (B)	Bird Screen (C)	Reducing Coupler (D)	Nozzle Tube (E)	Bird Screen (F)
2"	2"	2-3/8" O.D.	2" x 1-1/2"	1-1/2" x 4"	2-3/8" O.D.
2-1/2"	2-1/2"	2-7/8" O.D.	2-1/2" x 2"	2" x 4"	2-1/2" O.D.
3"	3"	3-1/2" O.D.	3" x 2"	2" x 4"	3-1/2" O.D.
4"	4"	4-1/2" O.D.	4" x 3"	3" x 4"	4-1/2" O.D.

Note 1: Pipe size determined from Table 2.

FIGURE 8
VENT AND AIR INTAKE TERMINAL ORIENTATION

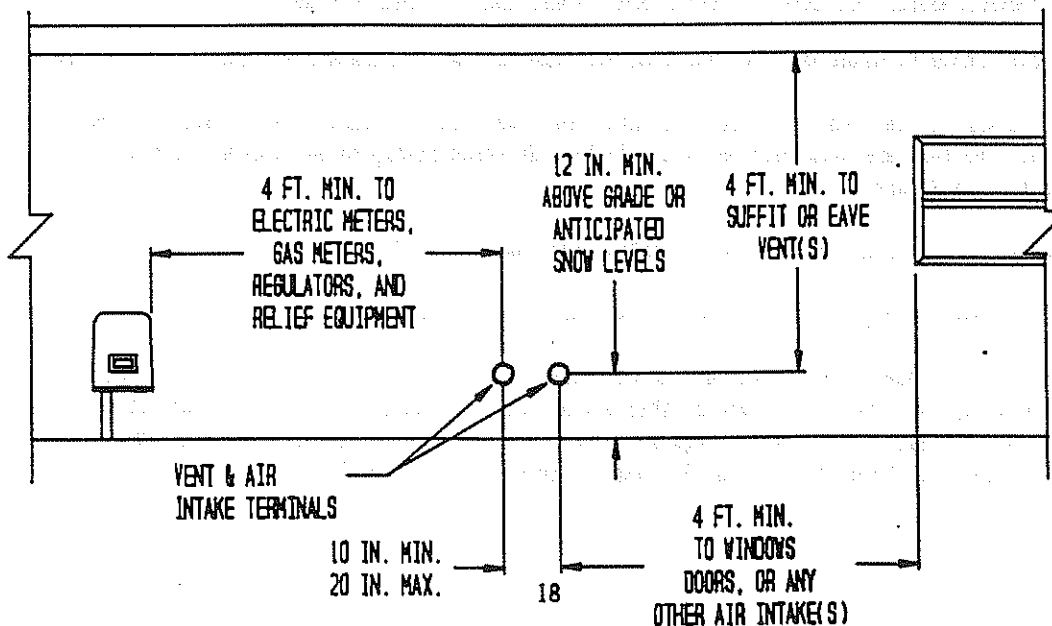
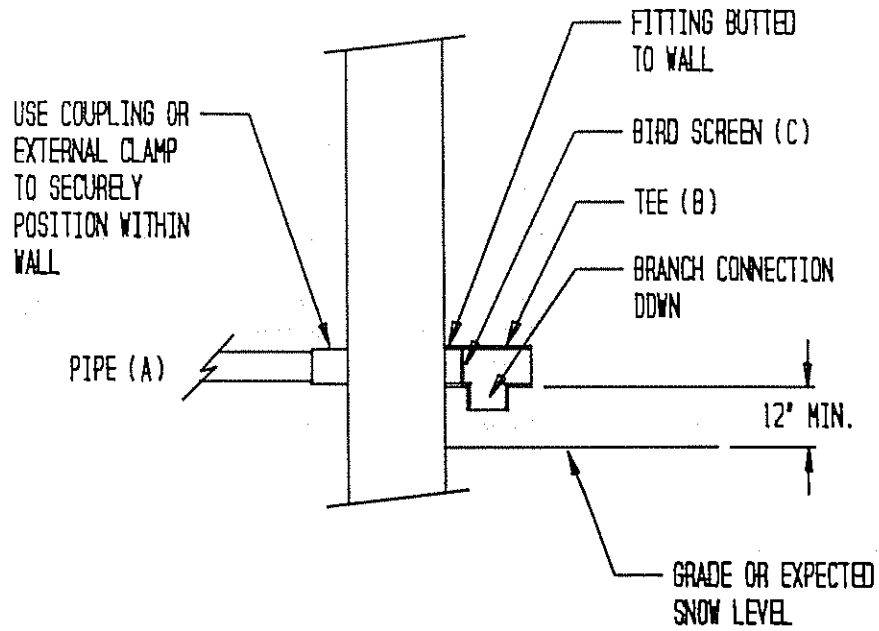
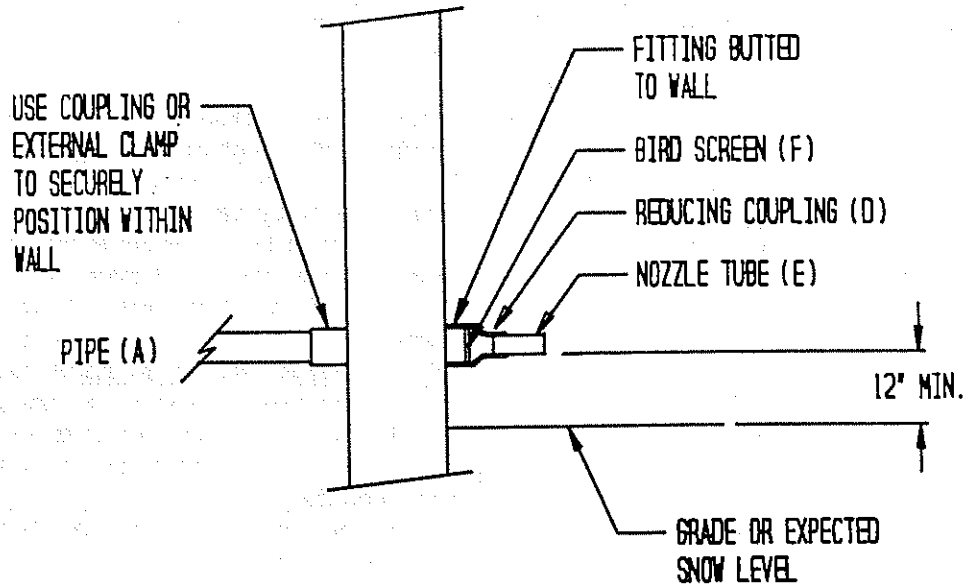


FIGURE 9

AIR INTAKE TERMINAL



VENT TERMINAL



SECTION 14 -- VENTING RESIZING INSTRUCTIONS (REPLACEMENT FURNACES ONLY)

When an existing furnace is removed from a venting system serving other appliances, the venting system is likely to be too large to properly vent the remaining attached appliances.

The following steps shall be followed with each of the appliances remaining connected to the common venting system, placed in operation one at a time while the other appliances remaining connected to the common venting system are not in operation.

1. Seal any unused openings in the common venting system.
2. Visually inspect the venting system for proper size and horizontal pitch and determine there is no blockage or restriction, leakage, corrosion, and other deficiencies which could cause an unsafe condition.
3. Insofar as is practical, close all building doors and windows and all doors between the space in which the appliances remaining connected to the common venting system are located and other spaces of the building. Turn on clothes dryers and any appliance not connected to the common venting system. Turn on any exhaust fans, such as range hoods and bathroom exhausts, so they will operate at maximum speed. Do not operate a summer exhaust fan. Close fireplace dampers.
4. Follow the lighting instructions. Place the appliance being inspected in operation. Adjust thermostat so appliance will operate continuously.
5. Test for spillage at the draft hood relief opening after 5 minutes of main burner operation. Use the flame of a match or candle.
6. After it has been determined that each appliance remaining connected to the common venting system properly vents when tested as outlined above, return doors, windows, exhaust fans, fireplace dampers and any other gas-burning appliance to their previous conditions of use.
7. If improper venting is observed during any of the above tests, the common venting system must be corrected.

VENTING TROUBLESHOOTING PROCEDURES

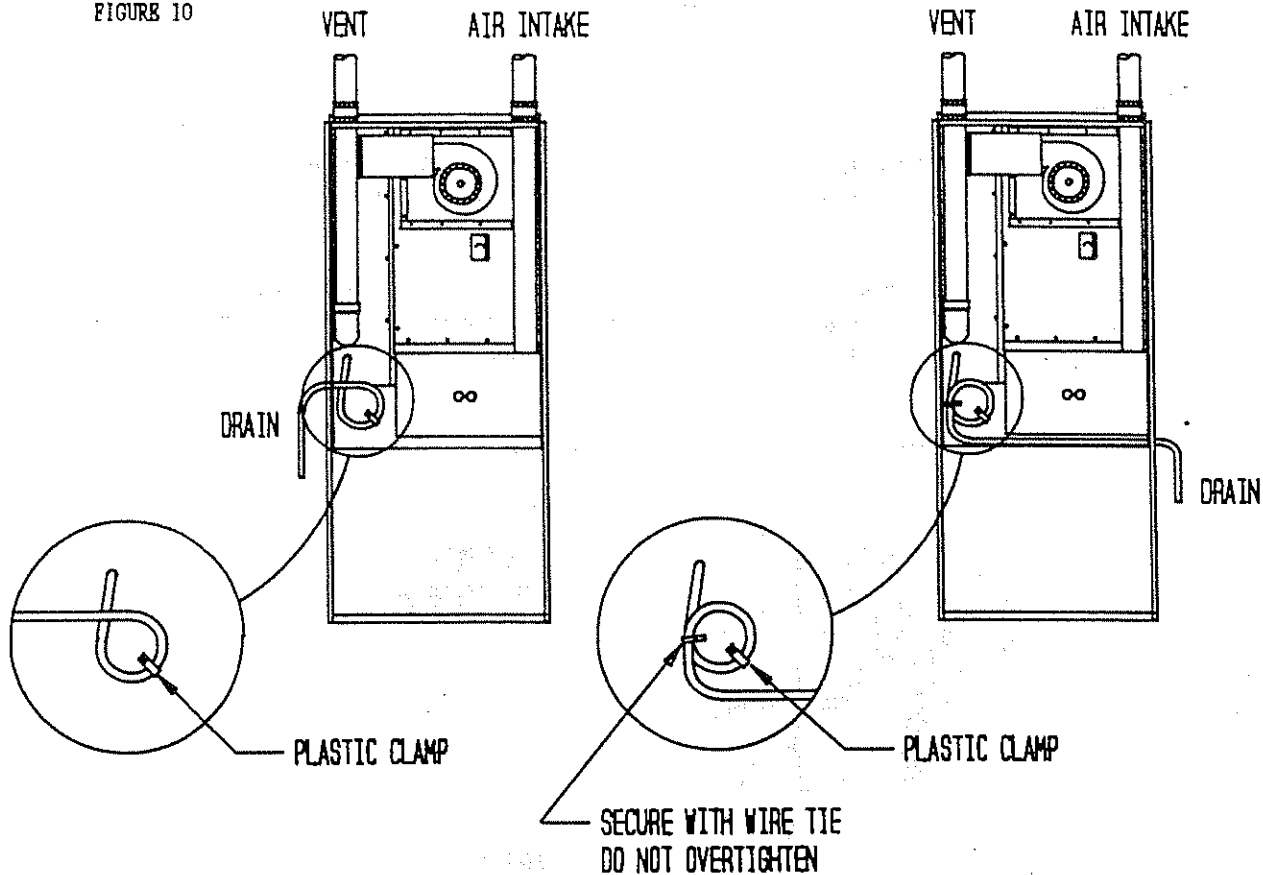
Symptoms	Possible Causes	How To Check And/Or Correct
Downrafting through the furnace	Negative pressure within the structure caused by exhaust fan of device	Check for downdraft in vent where vent connects to unit with flame from a candle or a match.
	Location of vent terminal	Verify that vent termination is positioned with the recommended specifications stated in this manual.
	Incorrect or absent vent terminal	Verify that the vent terminal is designed for and is compatible with the venting system.
Condensation in venting system	Oversized venting system	Look for condensation in or around vent pipe joints or around flue connections at furnace. To correct this condition, design the venting system in accordance with the National Fuel Gas Code, ANSI-Z223.1-latest edition and addenda Z223.1a latest edition
	Uninsulated vent installed in an unconditioned space	Check for condensation in or around vent pipe joints. Also check around the flue connecting areas on the unit. Insulate the vent in unconditioned space to prevent the above condition.
	Running vent as a liner up an existing chimney without capping off the chimney	Check to make sure the space between the vent and the inside of the chimney has been sealed. With this space being open, it may allow too much cold air in and around the vent pipe allowing the flue products to condense causing condensation back at the unit.

SECTION 15 -- CONDENSATE DRAIN

The drain tubing that is provided with this unit is for the purpose of removing condensation from the furnace. A condensate trap is required for operation and is easily obtained when installed as shown in Figure 10. The drain line should slope "downhill" to the drain after exiting the furnace cabinet. Excessive condensate trap (long uphill and/or level runs) can cause the furnace to malfunction.

CAUTION	CAUTION
Do not run drain to an area where temperature may drop below freezing point 32° F. Freezing of condensate could result in property damage or furnace malfunction.	Do not connect drain tube into a drainage system that may become pressurized. Terminate furnace drain tubing into a drainage system that has some type of relief opening to prevent airlocking of furnace drain system.

FIGURE 10



SECTION 16 -- CONDENSATE PUMP AND NEUTRALIZER

If no floor drain is available, a condensate pump or sump pump must be used for pumping condensate to the nearest drain. A condensate neutralizer cartridge may be required depending on the type of pump and/or local codes. If a condensate pump is used or if local codes require, install a condensate neutralizer cartridge in the drain line as it exists the furnace.

Neutralizer part No. 8620-031 can be ordered separately as an option. It has a barbed fitting on both ends sized for 3/8" I.D. tubing. It can be installed either vertically or horizontally and should be located somewhere in drain line after it exits the furnace and ahead of condensate pump (if used) or drainage system.

SECTION 17 -- GAS SUPPLY AND PIPING

General Recommendations

1. Be sure the gas line complies with the local codes and ordinances, or in their absence with National Fuel Gas Code, ANSI Z223.1-latest edition.
2. The gas line can be piped to the gas valve from either the left or right side of the furnace through the knockout opening provided. See Figure 11 for typical installation.
3. A sediment trap or drip leg must be installed in the supply line to the furnace.
4. A ground joint union shall be installed in the gas line adjacent to the upstream from the gas valve and downstream from the manual main shut-off valve.
5. A 1/8" N.P.T. plugged tapping accessible for test gauge connection shall be installed immediately upstream of the gas supply connection to the furnace for the purpose of determining the supply gas pressure.
6. A manual shut-off valve shall be installed in the supply gas line external to the furnace when required by local code.
7. Use steel or wrought iron pipe and fittings.
8. DO NOT thread pipe too far. Valve distortion or malfunction may result from excess pipe within the control. Use pipe joint compound resistant to the action of liquefied petroleum gases on male threads only. DO NOT use Teflon tape. See Table 4.
9. Refer to Tables 5 and 6 for Gas Pipe Sizes for Natural and L.P. gas. If more than one appliance is supplied from a single line size, capacity must equal or exceed the combined input to all appliances, and the branch lines feeding the individual appliances properly sized for each input.

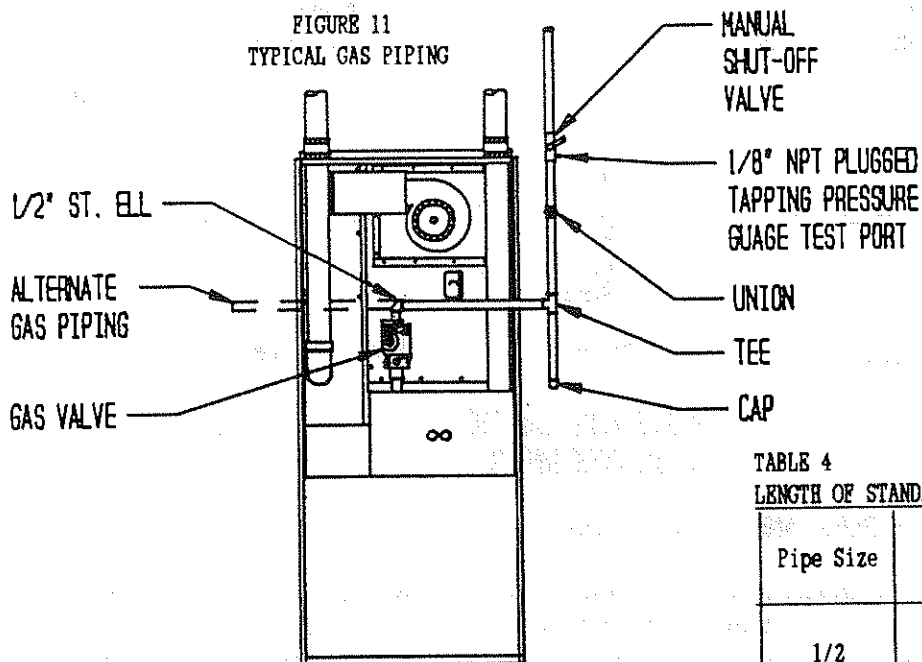


TABLE 4
LENGTH OF STANDARD PIPE THREADS (INCHES)

Pipe Size	Effective Length Of Thread	Overall Length Of Thread
1/2	1/2	3/4
3/4	1/2 - 9/16	13/16
1	9/16	1

Checking The Gas Piping

Before turning gas under pressure into piping, all openings from which gas can escape should be closed. Immediately after turning on gas, the system should be checked for leaks. This can be done by watching the 1/2 cubic foot test dial and allowing 5 minutes to show any movement, and by soaping each pipe connection and watching for bubbles. If a leak is found, make the necessary repairs immediately and repeat the above test. The furnace must be isolated from the gas supply piping system by closing the manual shutoff valve on the combination gas control valve during pressure testing of the gas supply piping system at pressures up to 1/2 psig. The furnace must be disconnected from supply piping and supply piping capped during any pressure testing of supply piping system at test pressure in excess of 1/2 psig.

Defective pipes or fittings should be replaced and not repaired. Never use a flame or fire in any form to locate gas leaks, use a soap solution.

After the piping and meter have been checked completely, purge the system of air. DO NOT bleed the air inside the furnace. Be sure to relight all the gas pilots on other appliances that may have been extinguished because of interrupted gas supply.

TABLE 5
GAS PIPE SIZES/CAPACITY
NATURAL GAS

Length of Pipe--Ft.	Capacity--Btuh Per Hour Input		
	Pipe Size		
	1/2"	3/4"	1"
20'	92,000	190,000	350,000
40'	63,000	130,000	245,000
60'	50,000	105,000	195,000

TABLE 6
GAS TUBING AND PIPE SIZES
LP GAS

Length In Feet	Capacity--BTU Per Hour Input			
	Copper Tubing*		Iron Pipe	
	1/2"***	3/4"***	1/2"	3/4"
20'	62,000	216,000	189,000	393,000
40'	41,000	145,000	129,000	267,000
60'	35,000	121,000	103,000	217,000

*Copper tubing for gas supply must comply with limitation in National Fuel Gas Code, reference "2.6.3 Metallic Tubing".

**Outside diameter.

SECTION 18 -- CHECKING GAS INPUT

NATURAL GAS

The following is a procedure in which to measure gas input:

1. Turn off all gas appliances other than the furnace.
2. From local gas supplier, obtain the average heating value in BTU/CU FT of gas supplied to the installation site.
3. Light furnace following the lighting and operating instructions label.
4. With a stop watch, measure the amount of time, in seconds, it takes to consume two (2) cubic feet of gas.
5. Use the following formula to calculate the gas input of the furnace.

$$\text{Gas input rating in BTU/HR} = \frac{\text{BTU/CU FT} \times 7200}{\text{Time in seconds for two cubic feet of gas flow}}$$

Example: Assume a time of 60 seconds for two cubic feet has been determined with a heating value of 1,000 BTU/CU FT.

$$\text{Gas input rating} = \frac{1000 \times 7200}{60}$$

$$\text{Gas input rating} = 120,000 \text{ BTU/HR}$$

6. If the input rate is not within two percent of the rated input, it may be achieved by adjusting the manifold pressure. If the specified input cannot be obtained, the furnace must be reorificed.

CAUTION: For operation at elevations above 2,000 feet, the installer must comply with the "Standard Orifice Size and High Altitude Derate" specifications in Section 20.

LP Gas

The pressure regulator on the storage tank must be adjusted to maintain a 11.0" - 13.0" W.C. line supply pressure to the furnace, and the manifold pressure set at 10.0" W.C. on the exit side of the furnace gas valve. This pressure will result in correct input when the burners are orificed properly (based on 2500 Btu/cu. ft. heat content for LP gas).

WARNING
These furnaces must be equipped and operated with the correct orifice sizes and manifold pressures as specified in Sections 19 and 20.
Failure to do so could result in property damage, bodily injury, or death.

SECTION 19 -- GAS PRESSURE SPECIFICATIONS

This furnace is equipped with fixed orifices for rated input with the following gas pressures:

TABLE 7

	Supply		Manifold
	Minimum	Maximum	
Natural @ 1,000 BTU/CU FT	4.5" WC	11.0" WC	3.5" WC
LP @ 2,550 BTU/CU FT	11.0" WC	13.0" WC	10.0" WC

The supply pressure may be measured by attaching a water column gauge to a pressure tap adjacent to and up stream from the gas valve. The manifold pressure may be measured by removing the small pipe plug located in the top of the main burner manifold, and inserting a pressure tap. Attach water column gauge to tap and ignite main burner. Small variations in the gas pressure may be made, not to exceed ± 0.3 " W.C., to achieve rated input conditions based on local gas supply Btu conditions for natural gas. See Section 18. This may be achieved by turning the gas valve regulator adjusting screw clockwise to increase pressure or counterclockwise to decrease pressure. Major changes in flow rate must be made by changing the size of the main burner orifices. See Section 20.

Underfire Conditions. Underfire conditions (not setting up furnace installation for full input operation) can also cause condensation and corrosion problems. Natural gas models are to be operated at 3.5 inches W.C. manifold pressure with standard factory supplied orifice sizes. Models converted to L.P. gas are to be operated at 10.0 inch W.C. using the designated orifices from the approved L.P. conversion kit based on 2500 Btu/cu. ft.

It is not acceptable to either reduce manifold pressure or to reduce orifice size to compensate for oversized equipment. It is mandatory that manifold pressure be checked at time of installation/start-up of the furnace. Adjustments, if necessary, must be made to achieve correct manifold pressure as stated above and also on the rating plate on the furnace.

WARNING

Before changing orifices, turn off electrical power and gas.

Failure to do so could result in property damage, bodily injury, or death.

SECTION 20 -- STANDARD ORIFICE SIZING AND HIGH ALTITUDE DERATE

Rating of gas utilization equipment are based on sea level operation and need not be changed for operation at elevations up to 2,000 feet. For operation at elevations above 2,000 feet and, in the absence of specific recommendations from the local authority having jurisdiction, equipment ratings shall be reduced at the rate of 4 percent for each 1,000 feet above sea level before selecting appropriately sized equipment. (Ref. National Fuel Gas Code ANSI Z223.1 (NFPA 54), latest edition).

These furnaces are shipped with fixed gas orifices for use with Natural Gas and sized for 1000 Btu/cubic feet of gas. Make sure actual furnace gas input does not exceed furnace rating plate input. You may need to change orifices to get correct gas input. Whether you do or not depends on furnace input, your gas heat value at standard conditions and elevation. Consult your local gas supplier for gas heat value and any special derating requirements. Table 8 below gives normal orifice specifications based upon standard conditions as shown. See Table 9 for decimal equivalent for all orifice sizes.

For propane (LP) gas operation, the furnace must be converted using authorized LP Kit sold separately.

TABLE 8
EQUIVALENT ORIFICE SIZES AT HIGH ALTITUDES
(INCLUDES 4% INPUT REDUCTION FOR EACH 1,000 FEET)

Orifice Size Chart										
Fuel Gas Type	Gas Heat Value Btu/Cu. Ft. *	0 to 2000 Feet	2001 to 3000 Feet	3001 to 4000 Feet	4001 to 5000 Feet	5001 to 6000 Feet	6001 to 7000 Feet	7001 to 8000 Feet	8001 to 9000 Feet	9001 to 10,000 Feet
Natural	800 - 849									
	850 - 899									
	900 - 949									
	950 - 999									
	1000 - 1049**									
1050 - 1100										
Propane (LP)	2500***									

Orifice Size Chart										
Fuel Gas Type	Gas Heat Value Btu/Cu. Ft. *	0 to 2000 Feet	2001 to 3000 Feet	3001 to 4000 Feet	4001 to 5000 Feet	5001 to 6000 Feet	6001 to 7000 Feet	7001 to 8000 Feet	8001 to 9000 Feet	9001 to 10,000 Feet
Natural	800 - 849	#37	#39	#40	2.45mm	2.40mm	#42	2.35mm	2.30mm	2.25mm
	850 - 899	2.60mm	2.50mm	2.45mm	#41	2.40mm	2.35mm	2.30mm	#43	2.20mm
	900 - 949	2.50mm	2.40mm	#42	2.35mm	2.30mm	#43	2.25mm	#44	2.15mm
	950 - 999	2.45mm	#42	2.35mm	2.30mm	#43	2.20mm	#44	2.10mm	#45
	1000 - 1049**	3/32"	2.30mm	#43	2.25mm	2.20mm	2.15mm	2.10mm	#45	2.05mm
1050 - 1100	2.30mm	2.25mm	2.20mm	#44	2.15mm	2.10mm	#45	2.05mm	5/64"	
Propane (LP)	2500***	1.45mm	1.40mm	1.40mm	1.35mm	1.35mm	#55	1.30mm	1.30mm	1.25mm

Orifice Size Chart										
Fuel Gas Type	Gas Heat Value Btu/Cu. Ft. *	0 to 2000 Feet	2001 to 3000 Feet	3001 to 4000 Feet	4001 to 5000 Feet	5001 to 6000 Feet	6001 to 7000 Feet	7001 to 8000 Feet	8001 to 9000 Feet	9001 to 10,000 Feet
Natural	800 - 849	3.00mm	#32	2.90mm	#34	2.80mm	2.75mm	#36	#37	#38
	850 - 899	#32	#34	2.80mm	2.75mm	#36	#37	2.60mm	#38	2.50mm
	900 - 949	#33	#35	2.75mm	#36	#37	2.60mm	2.55mm	2.50mm	2.45mm
	950 - 999	#35	2.70mm	2.65mm	2.60mm	#38	#39	#40	#41	#42
	1000 - 1049**	#36	2.60mm	#38	2.55mm	2.50mm	2.45mm	2.40mm	2.35mm	2.30mm
1050 - 1100	#37	#39	#40	#40	#41	#42	2.35mm	2.30mm	2.25mm	
Propane (LP)	2500***	1.65mm	1/16"	1.55mm	1.55mm	#53	1.50mm	1.45mm	1.45mm	1.40mm

TABLE 8 (Continued)

MODEL NCH080D48A		Orifice Size Chart								
Fuel Gas Type	Gas Heat Value Btu/Cu. Ft. *	0 to 2000 Feet	2001 to 3000 Feet	3001 to 4000 Feet	4001 to 5000 Feet	5001 to 6000 Feet	6001 to 7000 Feet	7001 to 8000 Feet	8001 to 9000 Feet	9001 to 10,000 Feet
Natural	800 - 849	2.75mm	#37	2.60mm	#38	#39	2.50mm	2.45mm	2.40mm	2.35mm
	850 - 899	#37	#39	#40	2.45mm	2.40mm	#42	2.35mm	2.30mm	2.25mm
	900 - 949	2.60mm	2.50mm	2.45mm	#41	2.40mm	2.35mm	2.30mm	#43	2.20mm
	950 - 999	#39	#41	2.40mm	#42	2.30mm	2.30mm	2.25mm	2.20mm	2.15mm
	1000 - 1049**	2.45mm	#42	2.35mm	2.30mm	#43	2.20mm	#44	2.10mm	#45
1050 - 1100	2.40mm	2.30mm	#43	2.25mm	2.20mm	#44	2.10mm	2.10mm	2.05mm	
Propane (LP)	2500***	#53	1.45mm	1.45mm	1.40mm	1.40mm	1.35mm	1.35mm	1.30mm	1.30mm

MODEL NCH095D60A		Orifice Size Chart								
Fuel Gas Type	Gas Heat Value Btu/Cu. Ft. *	0 to 2000 Feet	2001 to 3000 Feet	3001 to 4000 Feet	4001 to 5000 Feet	5001 to 6000 Feet	6001 to 7000 Feet	7001 to 8000 Feet	8001 to 9000 Feet	9001 to 10,000 Feet
Natural	800 - 849	3.00mm	#32	2.90mm	#34	2.80mm	2.75mm	#36	#37	#38
	850 - 899	2.90mm	2.80mm	7/64"	2.75mm	2.70mm	#37	#38	#39	#40
	900 - 949	#34	2.75mm	2.70mm	#37	2.60mm	#38	#39	#40	#41
	950 - 999	2.75mm	#37	2.60mm	#38	#39	2.50mm	2.45mm	2.40mm	2.35mm
	1000 - 1049**	2.70mm	2.60mm	#38	#39	#40	#41	2.40mm	2.35mm	2.30mm
1050 - 1100	2.60mm	2.50mm	2.45mm	#41	2.40mm	2.35mm	2.30mm	#43	2.20mm	
Propane (LP)	2500***	1.65mm	1/16"	1.55mm	1.55mm	#53	1.50mm	1.45mm	1.45mm	1.40mm

		Orifice Size Chart								
Fuel Gas Type	Gas Heat Value Btu/Cu. Ft. *	0 to 2000 Feet	2001 to 3000 Feet	3001 to 4000 Feet	4001 to 5000 Feet	5001 to 6000 Feet	6001 to 7000 Feet	7001 to 8000 Feet	8001 to 9000 Feet	9001 to 10,000 Feet
Natural	800 - 849									
	850 - 899									
	900 - 949									
	950 - 999									
	1000 - 1049**									
1050 - 1100										
Propane (LP)	2500***									

* At standard conditions: Sea level pressure and 60°F temperature.

** Standard factory supplied orifice size.

*** BTU/cu. ft. at 60°F temperature.

TABLE 9

ORIFICE DRILL SIZE DECIMAL EQUIVALENTS

Drill No.	3.50mm	#29	3.40mm	3.30mm	#30	3.25mm	3.20mm	1/8"	3.10mm	#31	3.00mm	#32	2.90mm	#33
Decimal	.1378	.1360	.1339	.1299	.1285	.1279	.1260	.1250	.1221	.1200	.1181	.1160	.1142	.1130
Drill No.	#34	2.80mm	#35	7/64"	2.75mm	#36	2.70mm	#37	2.60mm	#38	#39	2.50mm	#40	2.45mm
Decimal	.1110	.1102	.1100	.1094	.1082	.1065	.1063	.1040	.1024	.1015	.0995	.0984	.0980	.0964
Drill No.	#41	2.40mm	3/32"	#42	2.35mm	2.30mm	#43	2.25mm	2.20mm	#44	2.15mm	2.10mm	#45	#46
Decimal	.0960	.0945	.0938	.0935	.0925	.0906	.0890	.0885	.0866	.0860	.0846	.0827	.0820	.0810
Drill No.	2.05mm	2.00mm	#47	5/64"	1.95mm	#48	1.90mm	#49	1.85mm	1.80mm	#50	1.75mm	#51	1.70mm
Decimal	.0807	.0787	.0785	.0781	.0767	.0760	.0748	.0730	.0728	.0709	.0700	.0688	.0670	.0669
Drill No.	1.65mm	#52	1.60mm	1/16"	1.55mm	#53	1.50mm	1.45mm	1.40mm	#54	1.35mm	#55	1.30mm	1.25mm
Decimal	.0649	.0635	.0630	.0625	.0610	.0595	.0590	.0570	.0551	.0550	.0531	.0520	.0512	.0492

SECTION 21 -- WIRING SPECIFICATIONS

WARNING
<p>For your personal safety, turn off electric power at service entrance panel before making any electrical connections.</p> <p>Failure to do so could result in property damage, bodily injury, death.</p>

All electrical work must conform with local codes and ordinances, or in their absence, with the National Electrical Code, ANSI/NEPA 70-latest edition.

Electrical Power Supply

Run a separate 120 volt, AC circuit from a separate fuse or circuit breaker in the service entrance panel with an ampacity rating as shown in Table 10. Locate a shut off switch at the furnace. Make connections from this switch to the furnace junction box as shown in the furnace wiring diagram.

TABLE 10

Model	Volts/ HZ/PH	Total Amps	Blower Motor		Inducer Motor		Minimum Circuit Ampacity	Minimum Time Delay Fuse OR HACR Circuit Breaker
			HP	FLA	HP	FLA		
NCH050D30A	115-60-1	6.0	1/3	4.5	1/35	1.4	15	15
NCH065D36A	115-60-1	6.5	1/3	6.5	1/35	1.4	15	15
NCH080D48A	115-60-1	10.5	1/2	10.5	1/35	1.4	15	20
NCH095D60A	115-60-1	12.5	3/4	12.5	1/35	1.4	16	20

Electrical Grounding

RECOMMENDED GROUNDING METHOD

When installed, the furnace must be electrically grounded in accordance with local codes or in the absence of local codes, with the National Electrical Code, ANSI/NEPA No. 70-latest edition. Use #14 AWG copper wire from green ground wire in the field wiring junction box to a grounded connection in the service panel or a properly driven and electrically grounded ground rod.

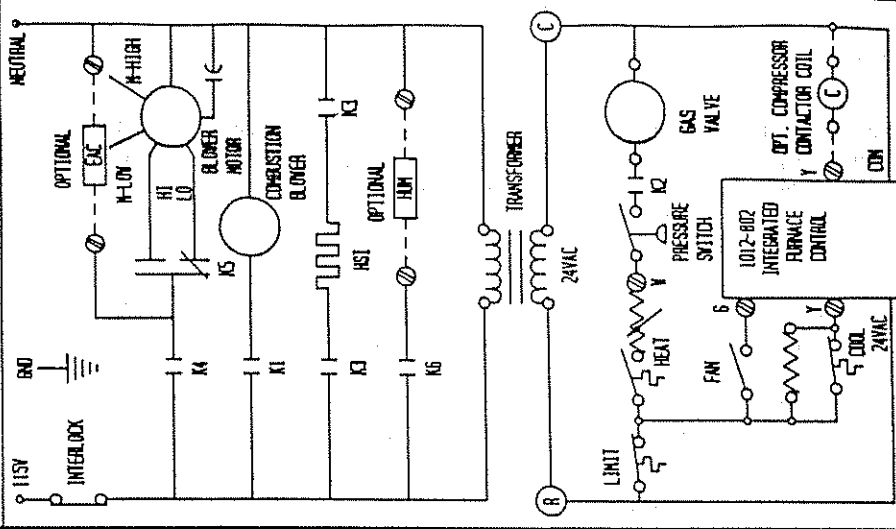
Field Installed Equipment

Wiring to be done in the field between the furnace and devices not attached to the furnace, or between separate devices which are field installed and located, shall conform with the temperature limitation for Type T wire (63°F rise (36°C)) when installed in accordance with the manufacturer's instructions. Refer to wiring diagrams.

Electronic Air Cleaner and Humidifier Accessories

See Section 29--Accessory Wiring, for specific information on connecting the accessories.

LADDER DIAGRAM

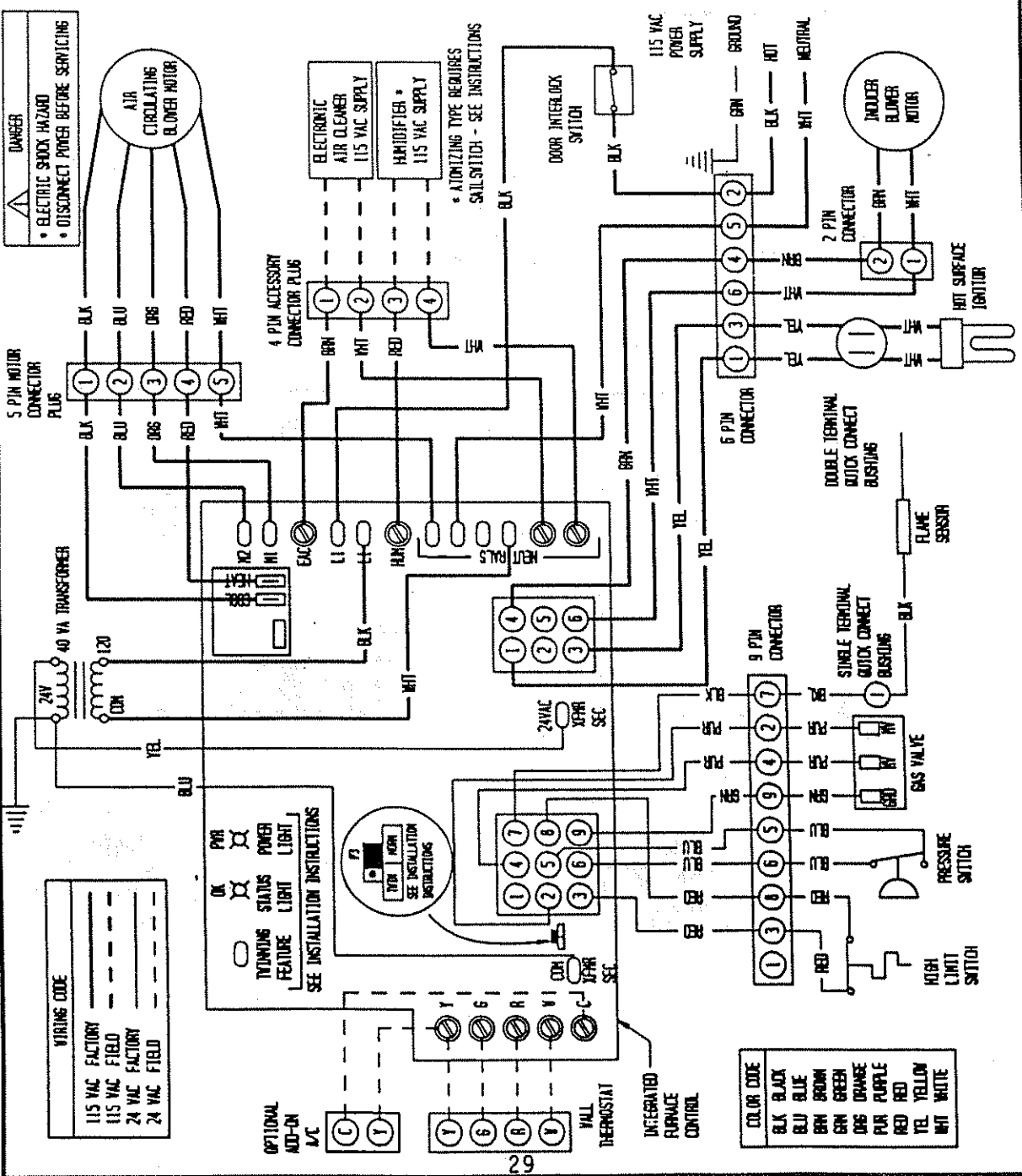


NOTES:

1. USE COPPER CONDUCTORS ONLY.
2. IF ANY OF THE ORIGINAL WIRE AS SUPPLIED WITH THE APPLIANCE MUST BE REPLACED, IT MUST BE REPLACED WITH WIRING MATERIAL HAVING A TEMPERATURE RATING OF AT LEAST 105°C.

MOTOR SPEED COLOR CODE	
COLOR	3 SPEED
WHITE	COMMON
RED	LOW
ORANGE	RED-LOW
BLUE	RED-HIGH
BLACK	HIGH

DOF-MODELS 4046-122 A



⚠ DANGER
 • ELECTRIC SHOCK HAZARD
 • DISCONNECT POWER BEFORE SERVICING

VIRING CODE

115 VAC	FACTORY
115 VAC	FIELD
24 VAC	FACTORY
24 VAC	FIELD

OK PWR
 TWINKING STATUS POWER
 FEATURE LIGHT LIGHT
 SEE INSTALLATION INSTRUCTIONS

7
 SEE INSTALLATION INSTRUCTIONS

COLOR CODE

BLK	BLACK
BLU	BLUE
BRN	BROWN
GRN	GREEN
ORG	ORANGE
PUR	PURPLE
RED	RED
YEL	YELLOW
WHT	WHITE

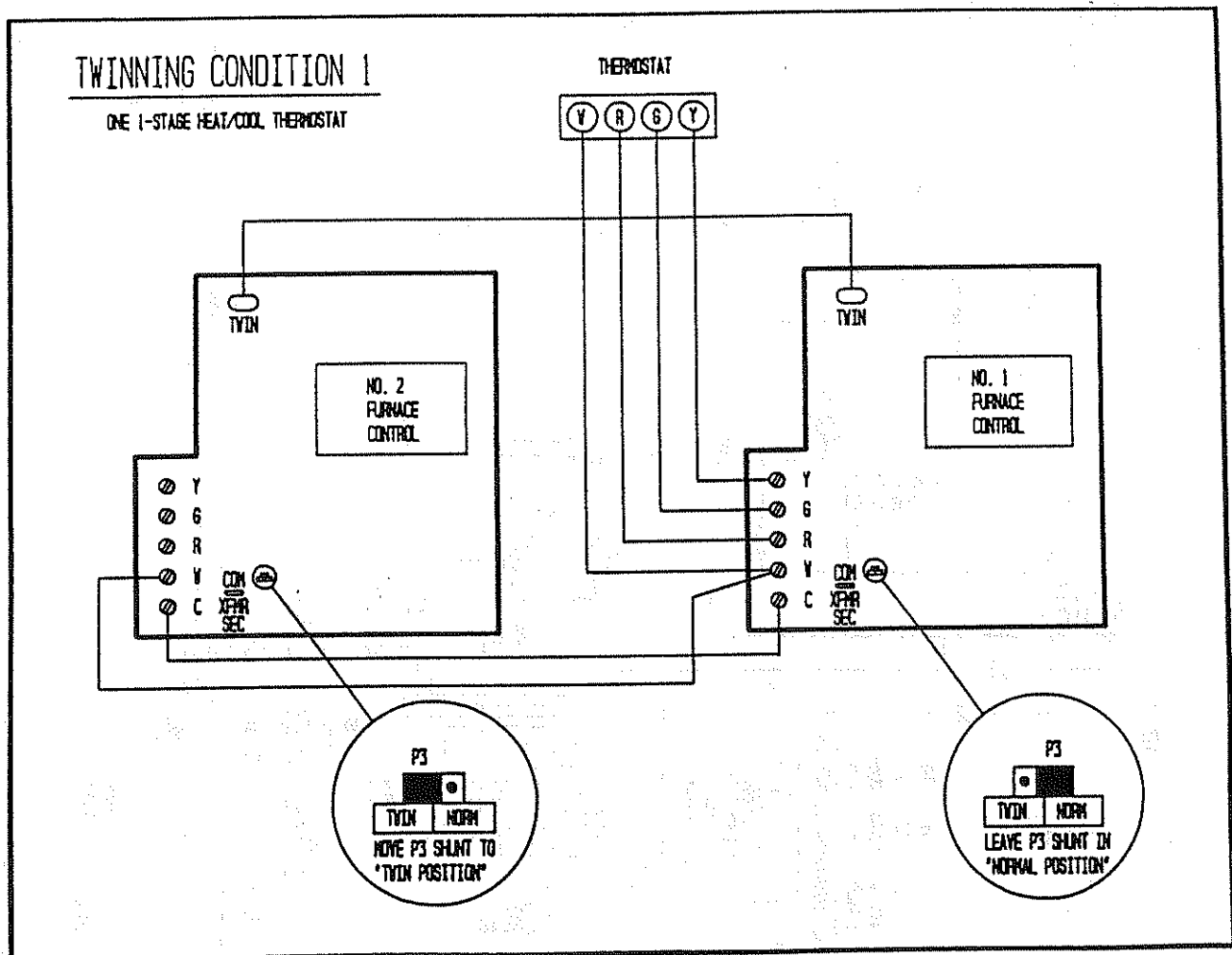
SECTION 23 --THERMOSTAT

Install the thermostat in accordance with instructions packed with it. Locate the thermostat 4-1/3 feet from the floor on an inside wall away from drafts, warm air registers and floor or table lamps. Refer to furnace wiring diagrams for connections. Thermostat wiring is routed to furnace control through an insulated bushing installed in left side of furnace just below the blower deck and 1/2 inch back from left front corner of furnace. See Figure 1A for more information.

All 24V wall thermostats have heat anticipators to compensate the thermostat for various system controls and allow the best possible cycle rates. Some anticipators are fixed and require no adjustment. However, the majority of wall thermostats have adjustable anticipators and do require adjustment to match the current rating of the thermostat circuit. Nominal rating of thermostat circuit is .35A, however, actual amp draw through the thermostat should be checked to determine heat anticipator setting.

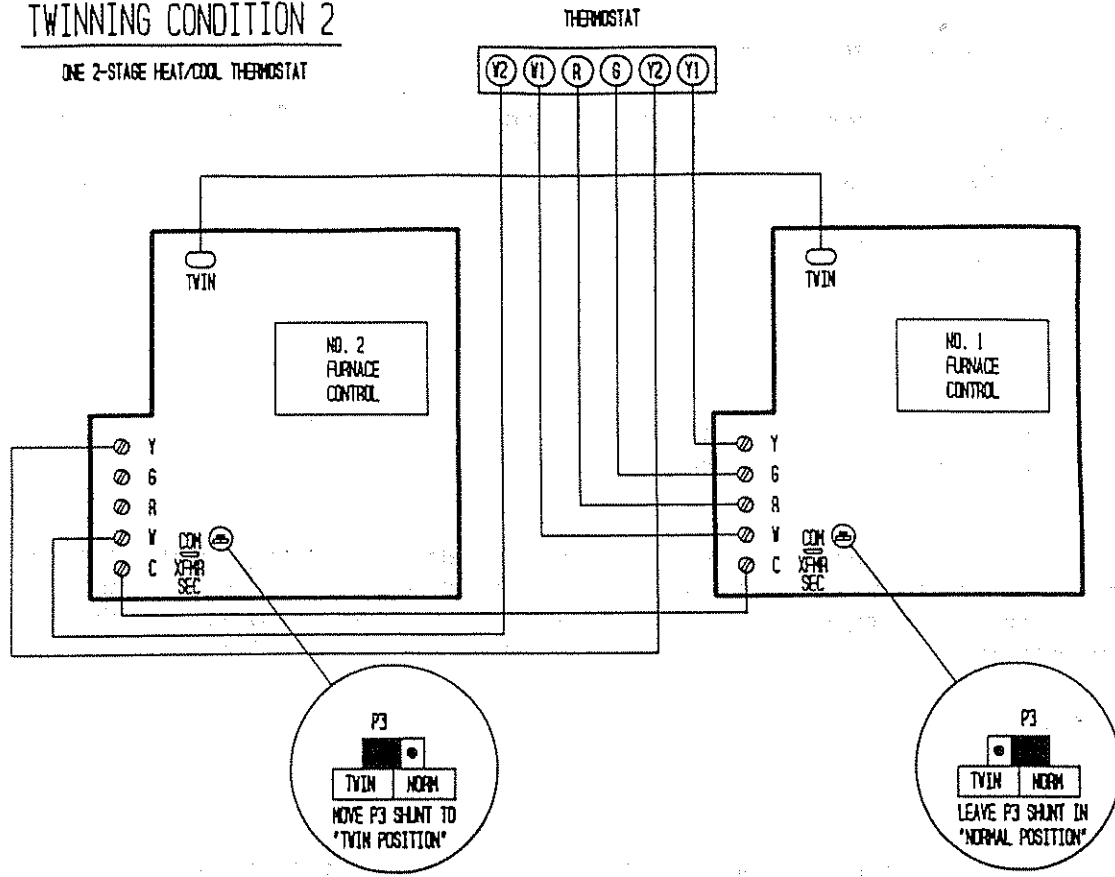
Failure to adjust the anticipator lever to correspond to the actual current draw through the thermostat will cause severe short cycling if set too low and room temperature may never attain the thermostat set point, and if set too high, will cause room temperature to overshoot the set point.

Twinning Options



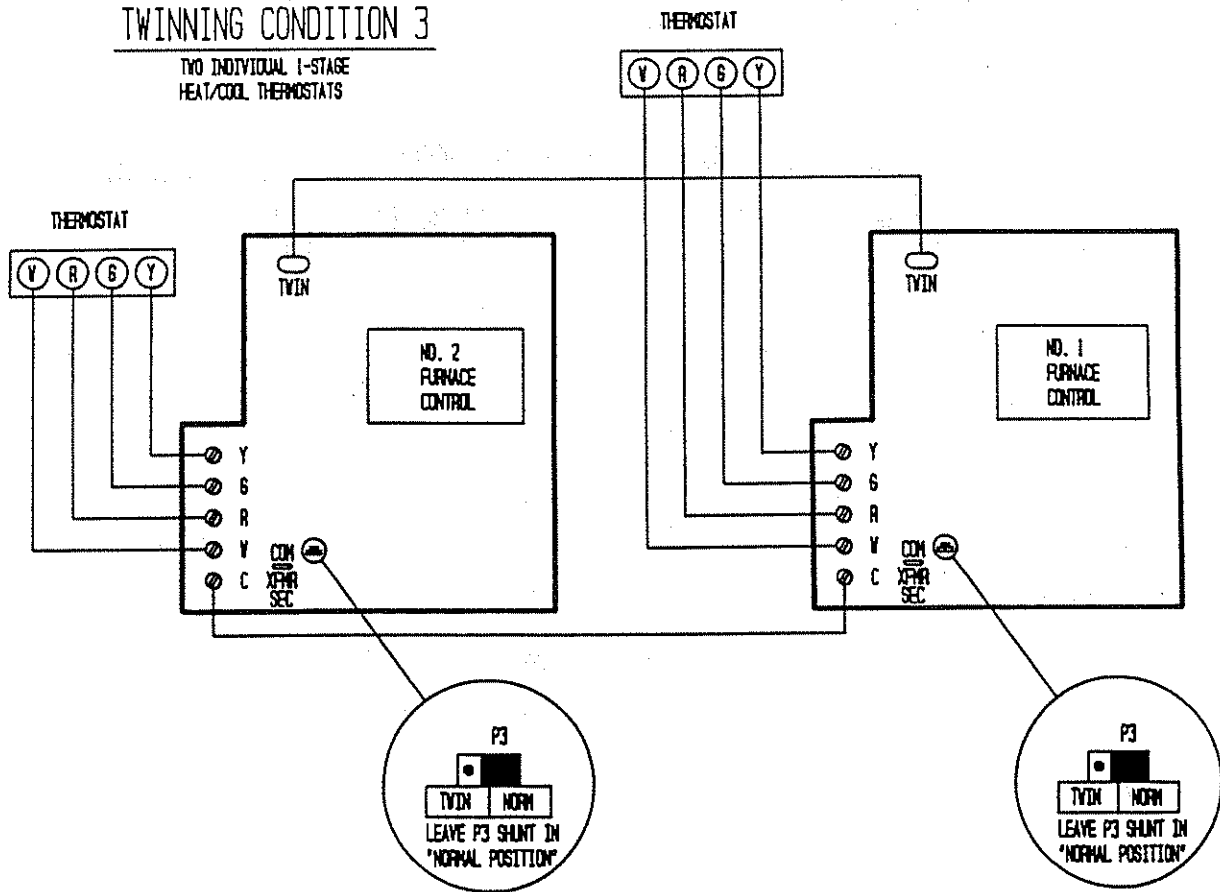
TWINNING CONDITION 2

ONE 2-STAGE HEAT/COOL THERMOSTAT



TWINNING CONDITION 3

TWO INDIVIDUAL 1-STAGE HEAT/COOL THERMOSTATS



SECTION 24 -- BLOWER OPERATION

All models are three or four speed direct drive and are equipped with a heating-cooling blower relay. When matched with the appropriate wall thermostat, offers manual blower operation from the wall thermostat for air circulation. See Sequence of Operation for specific details on blower operation.

Blower Speed Adjustment

WARNING
When servicing or changing blower motor speeds, always turn off electrical power supply to the furnace to prevent possibility of electrical shock hazard.

In the event that more air or less air is desired for either the heating or cooling mode, blower speeds may be adjusted by removing the undersized motor lead from its appropriate wire and replacing it with the speed desired. All models are factory wired on low speed for heating and high speed for cooling. See Table 11 for recommended motor speeds for various size add-on air conditioning systems. Consult wiring diagram for additional information.

IMPORTANT
After the furnace is operating with filters installed and all cabinet panels are in place, check the temperature rise through the unit to insure it is within the range specified on the furnace rating plate. If it is not, adjust blower speed until the temperature is within specified range.

TABLE 11 AIRFLOW CAPACITIES AND MOTOR SPEED INFORMATION

Model	Blower Whl. Size D"xW"	Motor HP	Motor Speed	Speed Range	CFM--INCHES H2O			Maximum Tons Cooling	Temperature Rise Range °F
					.20	.30	.50		
NCH050D30A	9 x 8	1/3	3	Low	835	805	720	1-1/2	25 - 55
				Medium	985	935	820	2	
				High	1145	1085	950	2-1/2	
NCH065D36A	10 x 8	1/3	3	Low	830	810	780	2	35 - 65
				Medium	1060	1045	975	2-1/2	
				High	1395	1350	1235	3	
NCH080D48A	10 x 10	1/2	4	Low	1070	1065	1050	2-1/2	30 - 60
				Med-Low	1350	1335	1290	3	
				Med-High	1720	1680	1560	3-1/2	
				High	1985	1910	1750	4	
NCH095D60A	11 x 10	3/4	4	Low	1270	1265	1250	3	35 - 65
				Med-Low	1475	1470	1440	3-1/2	
				Med-High	1775	1770	1700	4	
				High	2375	2300	2150	5	

SECTION 25 -- AIR FILTERS

All models are shipped with filters and external filter racks that can be installed on either side of the furnace. See Table 12 for sizes and Figures 12 and 13 for installation details.

TABLE 12

FILTER SIZE FOR GAS FURNACE		
Model	Standard Size*	Optional Size*
NCH050D30A NCH065D36A NCH080D48A	1 - 16x25x1	
NCH095D60A	1 - 16x25x1	1 - 20x25x1 Model FR22
* Shipped with all furnaces.		
** Optional filter rack. Must be used on all D60 versions when set-up for 5 ton add-on air conditioning system.		

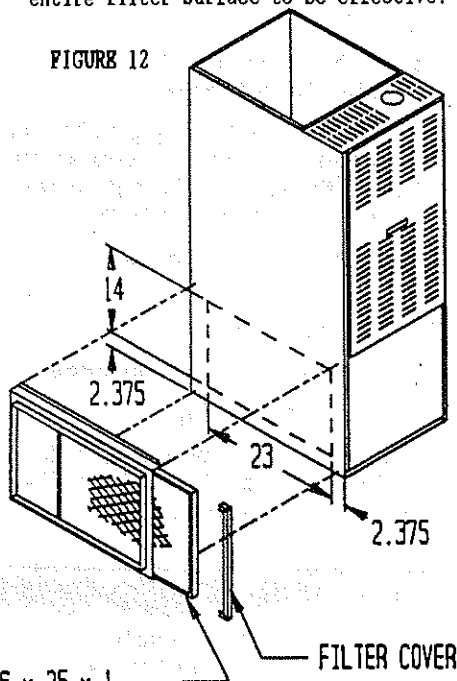
Filter Locations--Removal and Replacement Procedures--All Hi-Boy Furnaces

16 x 25 x 1 external filter racks are supplied as standard equipment for all NCH models. A 14 x 23 opening is to be cut into either the left or right side of the furnace depending upon installation requirements.

See Figure 12 for typical installation of a 16 x 25 x 1 filter rack centered over the 14 x 23 cutout.

Figure 13 shows a typical installation of optional 20 x 25 x 1 filter rack. The same 14 x 23 cutout is required in the furnace side, and the bottom of the filter rack is aligned over the bottom of the 14 x 23 cutout. The top of the filter rack rises approximately 6 inches above the top of the cutout. The 3 inch depth of the filter rack provides ample spacing between furnace side and leaving edge of filter for the entire filter surface to be effective.

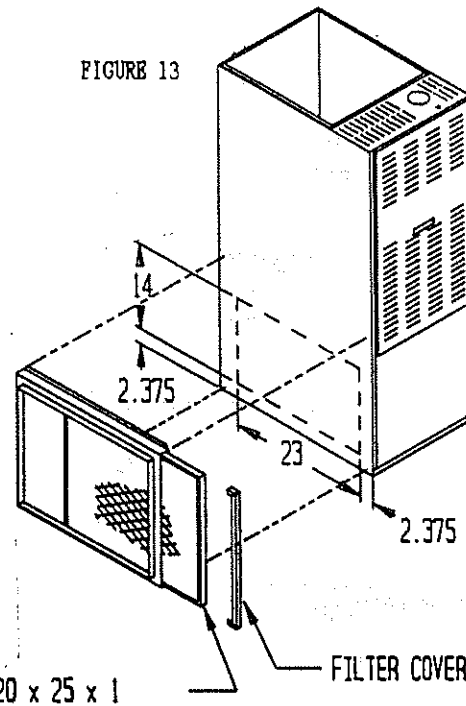
FIGURE 12



16 x 25 x 1
PERMANENT FILTER

FILTER COVER

FIGURE 13



20 x 25 x 1
PERMANENT FILTER

FILTER COVER

To remove filter from the filter rack, remove the filter access cover and grasp the end of the filter. This filter is the permanent high velocity type foam filter which may be washed and used over and over. **DO NOT** replace it with a fiberglass disposable filter of the same size.

To replace filter, reverse the above procedure.

FOR YOUR SAFETY READ BEFORE OPERATING

WARNING: If you do not follow these instructions exactly, a fire or explosion may result causing property damage, personal injury or loss of life.

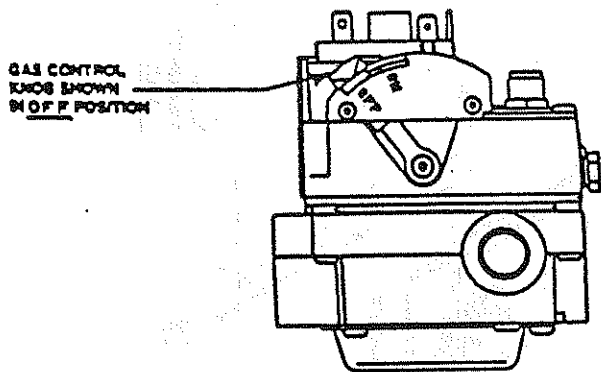
- A. This appliance does not have a pilot. It is equipped with an ignition device which automatically lights the burner. Do not try to light the burner by hand.
 - If you cannot reach your gas supplier, call the fire department.
- B. **BEFORE OPERATING** smell all around the appliance area for gas. Be sure to smell next to the floor because some gas is heavier than air and will settle on the floor.

WHAT TO DO IF YOU SMELL GAS

 - Do not try to light any appliance.
 - Do not touch any electric switch; do not use any phone in your building.
 - Immediately call your gas supplier from a neighbor's phone. Follow the gas supplier's instructions.
- C. Use only your hand to push in or turn the gas control knob. Never use tools. If the knob will not push in or turn by hand, don't try to repair it, call a qualified service technician. Force or attempted repair may result in a fire or explosion.
- D. Do not use this appliance if any part has been under water. Immediately call a qualified service technician to inspect the appliance and to replace any part of the control system and any gas control which has been under water.

OPERATING INSTRUCTIONS

1. **STOP!** Read the safety information above on this label.
2. Set the thermostat to lowest setting.
3. Turn off all electric power to the appliance.
4. This appliance is equipped with an Ignition device which automatically lights the burner. Do not try to light the burner by hand.
5. Remove control access panel.
6. Push in gas control knob slightly and turn clockwise to "OFF."
- NOTE: Knob cannot be turned to "OFF" unless knob is pushed in slightly. Do not force.
7. Wait five (5) minutes to clear out any gas. Then smell for gas, including near the floor. If you smell gas, **STOP!** Follow "B" in the safety information above on this label. If you don't smell gas, go to the next step.
8. Turn gas control knob counterclockwise to "ON."
9. Replace control access panel.
10. Turn on all electric power to the appliance.
11. Set thermostat to desired setting.
12. If the appliance will not operate, follow the instructions "To Turn Off Gas To Appliance" and call your service technician or gas supplier.



TO TURN OFF GAS TO APPLIANCE

1. Set the thermostat to lowest setting.
2. Turn off all electric power to the appliance if service is to be performed.
3. Remove control access panel.
4. Push in gas control knob slightly and turn clockwise to "OFF." Do not force.
5. Replace control access panel.

7961-366

SECTION 27 -- SEQUENCE OF OPERATION

The operation sequence shown below describes normal operation. See Section 28 for detailed explanation of Integrated Furnace Control (IFC), and explanations of abnormal occurrences.

1. BASIC FURNACE--HEATING CYCLE

This furnace is operated by an Integrated Furnace Control (IFC) which controls all functions of the furnace.

On a call for heat from the thermostat, the IFC first checks the pressure switch to verify contacts are open, then turns on the inducer motor. The pressure switch then closes signaling the IFC to proceed with ignition function.

There is a 36 second ignitor heat-up period, then the gas valve opens introducing main burner gas to be ignited by the hot surface ignitor. The flame sensor proves ignition and carryover across all burners.

There is a 60 second delay after main burner is on until the comfort air blower starts on heating speed. After the thermostat is satisfied, the burners will go off as gas valve closes. The inducer will continue to run for 30 seconds, and the comfort air blower will continue to run for 120 seconds standard. Can be increased to 180 seconds, see Section 28.

IMPORTANT
The furnace cannot be recycled from the wall thermostat during the heating blower off delay period.
A new call for heat can be initiated during this period but the system will "wait" until the blower off delay times out.

2. ACCESSORIES (OPTIONAL, FIELD INSTALLED)

The furnace and IFC are designed to accommodate both electronic air cleaner and humidifier. The electronic air cleaner circuit is powered any time the comfort air blower runs on either heating or cooling speed. The humidifier circuit is powered anytime the inducer motor is operating. See Section 27 for more information.

3. COOLING CYCLE OPERATION

If optional add-on air conditioning system is installed, the comfort air blower starts on cooling speed immediately on call for cool, will run continuously during the call for cool, and will stop 60 seconds after the thermostat is satisfied.

4. MANUAL FAN (CONTINUOUS AIRFLOW) OPERATION

If wall thermostat is set to MANUAL (ON) position to operate comfort air blower continuously to provide air circulation throughout the building, the blower will operate on the heating speed rather than the cooling as is typical with most systems. This permits the air to circulate as desired but helps keep the operating noise level down as well as conserving energy.

When all call for heat occurs, the blower will continue to run during the ignitor heat up period, but shut off for 60 seconds after gas valve opens and burners ignite to accelerate the heat exchanger heat-up process. The blower then restarts and runs continuously until the next burner cycle as described above.

During a call for cooling, the blower automatically shifts up to cooling speed, and remains there until 60 seconds after thermostat is satisfied then drops back to heating speed.

SECTION 28 -- INTEGRATED FURNACE CONTROL (IFC)

The Integrated Furnace Control (IFC) controls all aspects of the furnace operation. Shown below are the IFC specifications covering Ignition Sequence Control, Combustion Blower Control, Comfort Fan Control, Accessory Control, and Diagnostics.

Specific information on TWINNING of furnaces (2 furnaces tied into a large common duct system installation) is detailed under THERMOSTATS--Section 23. This twinning feature assures simultaneous starting and stopping of the comfort air blowers in each furnace which is essential to prevent air short circuiting through one of the furnaces if the blower is only running in the other furnace.

DIAGNOSTICS are provided through 2 light emitting diodes (LED's) mounted on the IFC. A hole is punched in the control box cover, and a clear sight glass is located in the blower access panel lining up with the LED's. Therefore, the LED's can be observed without removing any furnace panels to determine operating status or problem condition that might be present.

IMPORTANT	
Be sure to observe the LED signals on the IFC <u>before</u> removing the blower access panel.	
Removing the blower access panel opens the blower door interlock safety switch which interrupts power to the furnace, thus removing all LED signaling.	
There is no memory retention capability and any problem condition would have to be redetermined by the IFC in due course of time.	

Ignition Sequence Control

Ignition Source	115 VAC HSI (Norton 201)
Flame Sensing	Remote
Prepurge	0 seconds
Total Ignition Trials	3 per call for heat
Ignitor Heat Up	1st trial 36 seconds, 2-3 trial 46 seconds
Ignitor De-energized	6 seconds after gas valve opens
Ignition Trial Period	9 seconds from when gas valve opens
Inter Trial Purge	30 seconds
Lockout Purge	30 seconds after 3rd trial lockout
Post Purge	30 seconds
Ignition Sequence Lockout	Reset by cycling thermostat or by internal timer 1 hour from end of lockout purge
Limit Operation Lockout	Forces ignition system to 1 hour lockout w/auto reset. After 2nd automatic reset, control will require manual reset by recycling main power. One hour timing starts when limit closes.
Thermostat Recycle Period	Normal minimum recycle timing is equal to comfort fan OFF delay (120 or 180 seconds). If high limit control has operated the minimum recycle time is 5 minutes after limit resets automatically on cool down (this is a variable time).

Combustion Blower Control

Normal Operation	ON with call for heat (after pressure switch check) OFF after postpurge
Limit Action	ON when limit OPEN and flame is sensed OFF 10 seconds after limit opens and no flame is sensed
Flame Sense	ON whenever any flame is sensed

Safety Inputs

High Limit/Rollout
Pressure Switch

SPST in 24 volt circuit
SPST, safe start check (60 second proving time)

Comfort Fan Control

HEATING SPEED FAN

Normal Operation

- On Delay
- OFF delay

Limit Operation

Flame Sense

60 seconds fixed. Timing starts when ignitor de-energized.
2 selectable timings -- 120 seconds standard, can be changed to 180 seconds with slide switch located upper left corner of IFC. "ON" = 120, "OFF" = 180.
On when limit OPEN
OFF after OFF delay when limit CLOSES
ON if flame is sensed and there is no call for heat

COOLING SPEED FAN

- ON Delay
- OFF Delay

None
60 Seconds

MANUAL FAN

ON continuously on HEATING speed. When call for heat the fan stops when gas valve opens for selected heating ON delay. When call for cool, the fan switches to COOLING speed. Then when thermostat satisfied, the fan switches back to HEATING speed after COOLING OFF delay.

Accessory Control

Electronic Air Cleaner
Humidifier

ON/OFF with comfort fan
ON/OFF with combustion blower*

*Atomizing type humidifier requires use of sail switch

Diagnostics

Green LED

- ON when 24V present
- OFF when no 24V present

Amber LED

- HEARTBEAT when waiting for thermostat call for heat
- ON when call for heat and all functions normal
- 1 FLASH when control cycles through all 3 ignition trials and goes into 1 hour SOFT LOCKOUT(1) (problem could be gas valve, ignitor, flame sensor or fuel supply).
- 2 FLASH when pressure switch does not close or fails safe start test (problem could be inducer, pressure switch, or connecting tubing).
- 3 FLASH when control goes into 1 hour SOFT LOCKOUT(1) due to high limit opening. Can occur 2 times before going into HARD LOCKOUT(2) at 3rd consecutive high limit operation (thermostat not satisfied or manually recycled).
- 4 FLASH if there have been 3 consecutive high-limit cycles and control has gone into HARD LOCKOUT(2).
- 5 FLASH if there is any flame sensed out of normal sequence.
- OFF when there is an internal problem with integrated furnace control.

(1) SOFT LOCKOUT will auto reset 1 hour after lockout occurs or can be manual reset by recycling wall thermostat.

(2) HARD LOCKOUT can only be reset by interrupting 115V main power supply to furnace.

SECTION 29 -- ACCESSORY WIRING

General Information

An optional accessory wiring harness, part No. 8620-044, is available to simplify wiring connections for installation of an electronic air cleaner and/or a humidifier. A 115V power supply is output to these two accessory wiring terminals under the following conditions of unit operation:

115V Electronic Air Cleaner -- Powered whenever the comfort air blower motor is operating on either heating or cooling speed.

115V Humidifier -- Powered whenever the combustion air blower is operating.

Humidifier Notes:

1. Atonizing type humidifiers also require a soil switch to be installed in the comfort air duct system to permit humidifier operation only when comfort air fan is on. The soil switch is wired in series with the RED wire on the accessory wire harness.
2. A 24V humidifier motor or solenoid will require a 115 x 24V transformer. If not included with humidifier, it will need to be supplied separately.

Accessory Wiring Installation

The 8620-044 accessory wiring harness consists of a polarized 4 pin connector with 4 color-coded wires 58 inches long. The 4 pin connector plugs into the back of control box located behind the comfort air blower access panel. The wires are routed through a knockout in left side of blower deck near the 6 pin and 9 pin connectors installed in blower deck, and are long enough to go to either the left or right side of the furnace. See Figure 14.

A junction box should be field supplied and installed on outside of furnace cabinet, and wiring from one or both accessories routed to this junction box for connection to the accessory wiring harness.

The BROWN and one WHITE wires are for the electronic air cleaner, and the RED and one WHITE wire are for the humidifier.

A strain relief is provided to be used where all 4 wires pass through the knockout in the blower deck. Two snap bushings are provided to protect wiring as it passes through the knockout(s) in side panels at junction box location. Two are provided in case humidifier wiring is needed on one side of furnace and air cleaner on the other side. Four (4) wire nuts are provided for connecting to the accessory wiring.

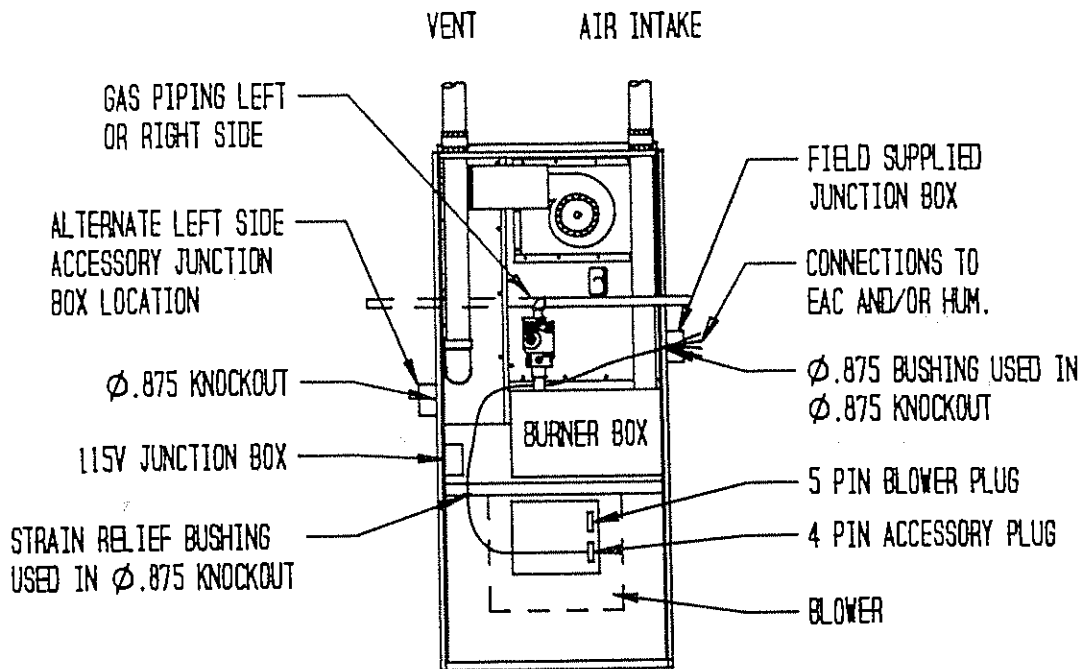
WARNING

Hazard of electric shock.

All unused wires must be terminated with wire nuts as they will be energized as described in General Information Section above.

See Figure 14 for pictorial detail of wire routing. Also see Section 8 for additional detail to assure correct knockouts are used.

FIGURE 14



SECTION 30 -- ROUTINE MAINTENANCE INSTRUCTIONS

Routine maintenance procedures are the responsibility of the user and are contained in the User's Information Manual. These are briefly outlined below.

A detailed inspection of the furnace and its vent/air intake system should be conducted annually by a qualified service agency, generally prior to the heating season. See Section 31.

Routine Maintenance

1. Air Filters. Check the condition on at least a monthly basis when the furnace is in use and clean or replace whenever it is necessary. Permanent filters must not be replaced with disposable fiberglass filters.
2. Lubrication Requirements. The main blower motor and induced draft blower motor is permanently lubricated, no maintenance required.
3. Periodic Inspection of the Vent and Air Intake. Visual inspection of the vent and air intake for any leaking, sags, dips or defective parts. The vent and intake should also be inspected outside of the structure for any blockage in the openings. If blockage is present, the screens should be cleaned with a vacuum cleaner.
4. Periodic Inspection of Drain Line. The drain line on a condensing furnace should be checked monthly for blockage or freezing of drain condensate. Blockage of drain will prevent furnace operation.

SECTION 31 -- SERVICING THE FURNACE

The following procedures should be performed by a qualified dealer serviceman.

WARNING
Follow these procedures before inspecting furnace. <ul style="list-style-type: none">• Turn room thermostat to its lowest or off setting.• Turn off manual gas shut-off valve.• Wait at least 5 minutes for furnace to cool if it was recently operating.• Turn off furnace electrical power; failure to do so could result in injury or death.

WARNING
Use replacement parts listed in parts list. Failure to do so could cause improper furnace operation, resulting in damage, injury or death.

Perform periodic preventative maintenance once before heating season begins and once during heating season, inspect, clean, and repair as needed following items:

Checking the Circulating Air Blower Assembly

1. Remove blower service panel.
2. Remove 2 screws securing front edge of blower support angles to blower base.
3. Disconnect the 6 pin and 9 pin connectors from blower base on left side of blower.
4. If installed, disconnect 4 pin accessory wiring plug from back of control box.
5. If thermostat wires are not sufficiently long enough inside blower compartment, disconnect from the 24V screw terminal on integrated furnace control.
6. The blower assembly is now free to be pulled from the furnace.
7. Reinstallation is completed by reversing all of the above steps.

Checking the Hot Surface Ignitor

1. Disconnect the 2 YELLOW leads connected to the double 3/16" quick connect terminal bushing on left side of burner box.

2. Using an ohmmeter, check the resistance of the ignitor. Cold resistance should be 45 - 250 ohm. Resistance above 250 ohms could indicate a fracture or hairline crack and ignitor should be replaced.
3. To replace ignitor, remove burner box cover, and then disconnect the 2 ignitor leads from the double 3/16" terminal bushing on inside of burner box.
4. Carefully remove the two screws securing ignitor mounting bracket, and extract ignitor through the open space to left of gas manifold vertical riser.
5. Replace ignitor by removing nut and bolt from bracket, placing new ignitor in bracket, and fastening with nut and bolt.
6. Reverse above steps to install ignitor/bracket assembly back into furnace. The 1/4" tab section on top of ignitor bracket must fit into 1/8" slot of ignitor bracket mounting panel, then secure bracket with the 2 screws.

Checking the Burners

1. Inspect the burner assembly for any scaling, sooting or blockage of ports. If there are signs of this, the burner should be removed and cleaned with a wire brush until all soot and scale is removed and burner ports are not obstructed.

CAUTION
Before removing burners for cleaning, the hot surface ignitor. MUST BE removed first to avoid damaging the ignitor.
Failure to do so can result in breakage of the ignitor requiring its replacement.

2. The gas piping to gas valve will usually require disconnection to permit valve and manifold assembly to be unfastened and moved out of the way to allow burner assembly to be extracted from furnace. The split grommet around manifold vertical riser will slide out of the slotted opening on top of burner box.
3. Remove 2 screws on both left and right side burner brackets securing brackets to the interior support plate.
4. The burner is now free to be pulled out and examined and cleaned as outlined in Step 1 above.
5. Reinstall all parts for reversing above steps.

WARNING
The grommet that seals the gas manifold vertical riser to the top panel of the burner box is a critical seal.
It must be reinstalled exactly as it was removed to assure proper operation of the pressure switch supervising vent/air intake piping systems.
Failure to install properly could result in property damage, bodily injury, or death.

Checking the Heat Exchanger and Flue Gas Passageways

Furnaces that are properly installed and maintained will normally not require cleaning of the heat exchangers.

THE ONLY TIME it should be necessary to disassemble and clean the interior of both the Primary and Secondary Heat Exchangers would be due to a sooting conditioning caused by abnormal combustion.

The inside of the primary heat exchanger can be examined for scale and soot using a light and a mirror on an extension handle. If soot and/or scale is evident, the heat exchanger must be cleaned as follows:

1. Remove burner assembly from inlet to heat exchanger. See above section.
2. Disconnect the 2 pin connector for inducer motor, unplug pressure switch tubing from inducer, and carefully remove the 4 screws securing inducer housing to the flue collector box.
3. Carefully work the inducer housing and the 3-inch plastic elbow fitting connected between blower outlet and secondary heat exchanger inlet loose. Both ends of the 3-inch elbow are sealed with a high temperature silicone sealant, and by carefully working the inducer assembly up and away from the flue collector box one or both of the silicone sealant connections will break free.
4. Now the flue collector box can be removed, along with the internal flue baffles.
5. Using a small wire brush on extension handle, brush inside walls of the heat exchanger until soot and/or scale is removed. The loose scale and/or soot is easily removed using a vacuum cleaner at the bottom of the heat exchanger.
6. To clean secondary heat exchanger requires removing the section of vent piping within the furnace. Disconnect the 2-inch no-hub connector securing 2-inch PVC street elbow to outlet of secondary heat exchanger inside the furnace. Take whatever action necessary to then disconnect and remove the vertical 2-inch pipe section rising of the furnace. This is necessary to permit secondary heat exchanger to be pulled out the front opening of furnace.
7. Disconnect wires to pressure switch, and unplug tubing from pressure switch to burner box (unplug at the burner box).
8. Disconnect the drain hose from the drain tube projecting through the cover panel.
9. Remove all the screws around the edge of the sheet metal panel that covers the secondary heat exchanger-- do not remove the 4 screws securing secondary heat exchanger to panel.
10. Gently work the secondary heat exchanger assembly forward out of the furnace being careful not to damage the fins.
11. Once the coil is removed from the furnace, take it to a place where the following steps can be performed.
 - A. Set coil on its back so the inlet, outlet and drain openings are pointed up. Pour 2 quarts of hot water into the coil and cap off openings. Shake coil vigorously and pour out water. Repeat this procedure until the water being poured from the coil is clear.
 - B. Thoroughly wash off the exterior of the heat exchanger using a soft brush and a mild stream of water. DO NOT use a hard stream of water as this may damage the fins.
12. Reinstallation of all parts is done by reversing all of the above steps.

WARNING
<p>High temperature silicone sealant/adhesive rated at least 450°F continuous must be used to reseal the 3-inch elbow fitting to both the inducer blower housing and the secondary heat exchanger.</p> <p>Failure to seal properly could result in improper furnace operation resulting in property damage, bodily injury, or death.</p>

WARNING
<p>The gas supply piping must be reconnected and checked for leaks.</p> <p>Never use an open flame when testing for gas leaks.</p> <p>Use of an open flame could cause a fire or explosion.</p>

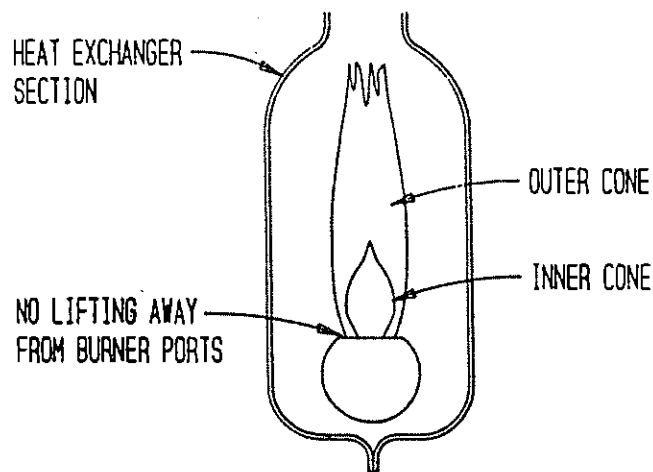
Checking the Heat Exchanger and Flue Gas Passageways

After all inspections are made and the furnace is completely reassembled and all electrical, gas, drain, air intake and vent connections are reconnected and verified, the furnace should be checked out for proper operation.

The general operation should be in accordance with that outlined in Sequence of Operation--Section 27.

Also, observe the main burners in operation. The flame should be mostly "blue" with possibly a little orange (not yellow) at the tips of the flame. The flames should be in the center of the heat exchanger compartments and not impinging on the heat exchanger surfaces themselves. See Figure 15.

FIGURE 15



Observe the fire until the blower starts (there is a normal delay period until the heat exchanger warms up). There should be no change in the size or shape of the flame. If there is any wavering or blowing of the flame on blower start-up, it is an indication of a possible leak in the heat exchanger.

SECTION 32 -- REPLACEMENT PARTS

Replacement parts for the gas furnaces are available through local distributor.

Parts list covering all furnace components is shown in the Replacement Parts Manual. When ordering parts or making inquiries pertaining to any of the furnaces covered by these instructions, it is very important to always supply the COMPLETE model number and serial number of the furnace. This is necessary to assure that the correct parts (or an approved alternate part) are issued to the service agency.