

INSTALLATION INSTRUCTIONS

WALL MOUNTED PACKAGE AIR CONDITIONERS

MODELS

WA421

WA482

WA602

DATE: 05-29-94

**MANUAL 2100-218 REV. E
SUPERSEDES REV. D
FILE VOL. III, TAB 16**

SECTION 1 --GETTING OTHER INFORMATION AND PUBLICATIONS

These publications can help you install the air conditioner or heat pump. You can usually find these at your local library or purchase them directly from the publisher. Be sure to consult current edition of each standard.

National Electrical Code	-ANSI/NFPA 70
Standard For The Installation Of Air Conditioning and Ventilating Systems	-ANSI/NFPA 90A
Standard For Warm Air Heating and Air Conditioning Systems	-ANSI/NFPA 90B
Load Calculation For Residential Winter and Summer Air Conditioning	-ACCA Manual J
Duct Design For Residential Winter and Summer Air Conditioning and Equipment Selection	-ACCA Manual D

FOR MORE INFORMATION, CONTACT THESE PUBLISHERS

ACCA:	AIR CONDITIDNING CONTRACTORS OF AMERICA 1513 16th Street NW Washington, DC 20036 Telephone: (202) 483-9370	Fax: (202) 234-4721
ANSI:	AMERICAN NATIONAL STANDARDS INSTITUTE 11 West Street, 13th Floor New York, NY 10036 Telephone: (212) 642-4900	Fax: (212) 302-1286
ASHRAE:	AMERICAN SOCIETY OF HEATING REFRIGERATING AND AIR CONDITIONING ENGINEERS, INCORPORATED 1791 Tullie Circle, N.E. Atlanta, GA 30329-2305 Telephone: (404) 636-8400	Fax: (404) 321-5478
NFPA:	NATIONAL FIRE PROTECTION ASSOCIATION Batterymarch Park P. O. Box 9101 Quincy, MA 02269-9901 Telephone: (800) 344-3555	Fax: (617) 984-7057

Manufactured under the following U.S. patent numbers:
5,301,744; 5,002,116; 4,924,934; 4,875,520; 4,825,936; 4,432,409.
Other patents pending.

COPYRIGHT MAY, 1994
BARD MANUFACTURING COMPANY
BRYAN, OH 43506 USA

TABLE OF CONTENTS

<u>PART 1 -- WALL MOUNT--GENERAL INSTALLATION INFORMATION</u>	
Air Conditioner Wall Mount Model Nomenclature	1
Shipping Damage	1
General	4
Duct Work	4
Filters	5
Fresh Air Intake	5
Condensate Drain	5
<u>PART 2 -- INSTALLATION INSTRUCTIONS</u>	
Wall Mounting Information	5
Mounting The Unit	5
WIRING	
Wiring--Main Power	9
Wiring: Low Voltage Wiring	9
<u>PART 3 -- START-UP</u>	
Important Installer Note	11
Crankcase Heaters	11
High Pressure Switch.	11
Three Phase Scroll Compressor Start Up.	12
Service Hints	12
Sequence of Operation	12
Pressure Service Ports	12
<u>PART 4 -- TROUBLESHOOTING</u>	
Fan Blade Setting Dimensions	12
Removal of The Fan Shroud	13
Refrigerant Charge	13
Pressure Table	14
Optional Accessories.	15

FIGURES AND TABLES

Figure 1	Unit Dimensions	2
Figure 2	Mounting Locations	7
Figure 2A	Electric Heat Clearance	8
Figure 3	Unit 24V Terminal Board	10
Figure 4	Start-Up	11
Figure 5	Fan Blade Setting	12

Table 1	Electric Heat Table	1
Table 2	Electrical Specifications	3
Table 3	Thermostat Wire Sizes and Thermostat Combinations	9
Table 3A	Wall Thermostat and Subbase Combinations.	9
Table 4	Fan Blade Settings.	12
Table 5	Refrigerant Charge	13
Table 6	Indoor Blower Performance	13
Table 7	Recommended Operating Ranges.	14
Table 8	Maximum ESP of Operation	14
Table 9	Cooling--Pressure (PSI)	14
Table 10	Optional Accessories	15

PART 1 -- WALL MOUNT GENERAL INFORMATION

AIR CONDITIONER WALL MOUNT MODEL NOMENCLATURE

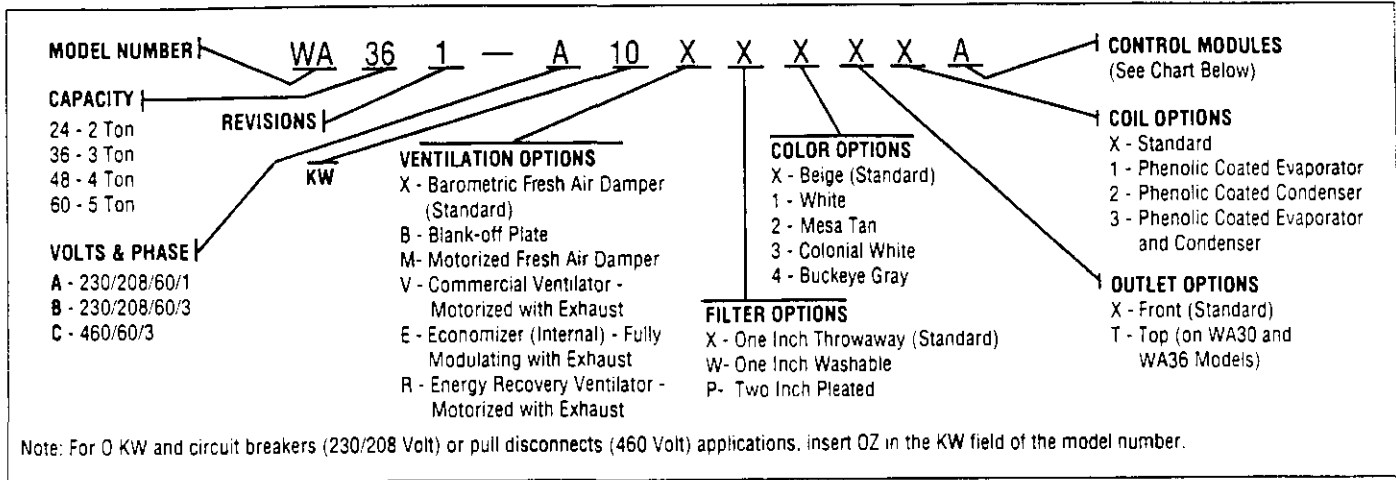


TABLE 1 ELECTRIC HEAT TABLE

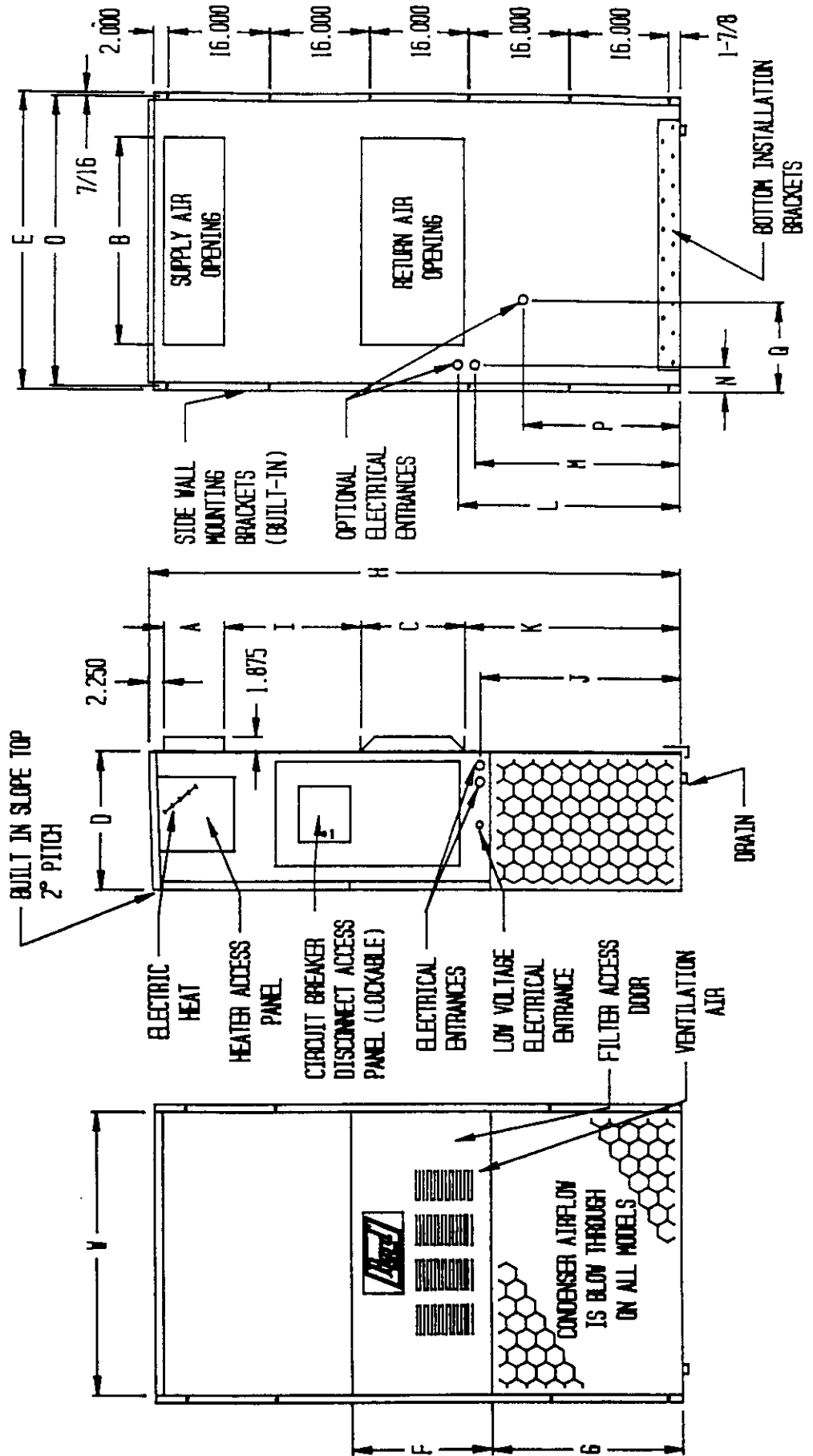
Models	WA421-A WA482-A WA602-A		WA421-B WA482-B WA602-B		WA421-C WA482-C WA602-C						
	240-1		208-1		240-3		208-3		460-3		
	KW	A	BTU	A	BTU	A	BTU	A	BTU	A	BTU
5	20.8	17050	18.1	12800							
9					21.7	30600	18.7	23030	10.8	30700	
10	41.6	34130	36.2	25600							
15	62.5	51200	54.1	38400	36.2	51200	31.2	38400	17.3	47000	
18					43.3	61430	37.5	46100			
20	83.2	68260	72.1	51200							

SHIPPING DAMAGE

Upon receipt of equipment, the carton should be checked for external signs of shipping damage. If damage is found, the receiving party must contact the last carrier immediately, preferably in writing, requesting inspection by the carrier's agent.

FIGURE 1
 SIZE SPECS FOR MIS-411

UNIT	WIDTH (W)	DEPTH (D)	HEIGHT (H)	SUPPLY		RETURN		E	F	G	I	J	K	L	M	N	O	P	Q
				A	B	C	B												
42 & 60	42	22-1/4	84-7/8	9-7/8	29-7/8	15-7/8	29-7/8	43-7/8	19	31-5/8	30	32-11/16	27	34-3/4	32-1/2	3-1/4	43	23-7/8	10



ELECTRICAL SPECIFICATIONS

TABLE 2

SINGLE CIRCUIT							DUAL CIRCUIT							
Model	Rated Volts and Phase	No. Field Power Ckts.	(3) Minimum Circuit Ampacity	(1) Maximum External Fuse Or Circuit Breaker	(2) Field Power Wire Size	(2) Ground Wire Size	(3) Minimum Circuit Ampacity		(1) Maximum External Fuse Or Ckt. Breaker		(2) Field Power Wire Size		(2) Ground Wire Size	
							Ckt A	Ckt B	Ckt A	Ckt B	Ckt A	Ckt B	Ckt A	Ckt B
WA421-A00,A0Z A05 A10 A15 A20	230/208-1	1	33	50	8	10	N/A	N/A	N/A	N/A	N/A	N/A	N/A	N/A
		1	33	50	8	10	N/A	N/A	N/A	N/A	N/A	N/A	N/A	N/A
		1	59	60	6	10	N/A	N/A	N/A	N/A	N/A	N/A	N/A	N/A
		1 or 2	85	90	4	8	56	26	60	30	6	10	10	10
		1 or 2	110	110	2	6	56	52	60	60	6	6	10	10
WA421-B00,BOZ B09 B15 B18	230/208-3	1	24	35	8	10	N/A	N/A	N/A	N/A	N/A	N/A	N/A	N/A
		1	34	35	8	10	N/A	N/A	N/A	N/A	N/A	N/A	N/A	N/A
		1	52	50	6	10	N/A	N/A	N/A	N/A	N/A	N/A	N/A	N/A
		1	60	60	6	10	N/A	N/A	N/A	N/A	N/A	N/A	N/A	N/A
WA421-C00,COZ C09 C15	460-3	1	12	15	14	14	N/A	N/A	N/A	N/A	N/A	N/A	N/A	N/A
		1	17	20	12	12	N/A	N/A	N/A	N/A	N/A	N/A	N/A	N/A
		1	26	30	10	10	N/A	N/A	N/A	N/A	N/A	N/A	N/A	N/A
WA482-A00,A0Z A05 A10 A15 A20	230/208-1	1	38	50	8	10	N/A	N/A	N/A	N/A	N/A	N/A	N/A	N/A
		1	38	50	8	10	N/A	N/A	N/A	N/A	N/A	N/A	N/A	N/A
		1	59	60	6	10	N/A	N/A	N/A	N/A	N/A	N/A	N/A	N/A
		1 or 2	85	90	4	8	59	26	60	30	6	10	10	10
		1 or 2	110	110	2	6	59	52	60	60	6	6	10	10
WA482-B00,BOZ B09 B15 B18	230/208-3	1	26	35	8	10	N/A	N/A	N/A	N/A	N/A	N/A	N/A	N/A
		1	34	35	8	10	N/A	N/A	N/A	N/A	N/A	N/A	N/A	N/A
		1	52	60	6	10	N/A	N/A	N/A	N/A	N/A	N/A	N/A	N/A
		1	60	60	6	10	N/A	N/A	N/A	N/A	N/A	N/A	N/A	N/A
WA482-C00,COZ C09 C15	460-3	1	13	15	14	14	N/A	N/A	N/A	N/A	N/A	N/A	N/A	N/A
		1	17	20	12	12	N/A	N/A	N/A	N/A	N/A	N/A	N/A	N/A
		1	26	30	10	10	N/A	N/A	N/A	N/A	N/A	N/A	N/A	N/A
WA602-A00,A0Z A05 A10 A15 A20	230/208-1	1	44	60	8	10	N/A	N/A	N/A	N/A	N/A	N/A	N/A	N/A
		1	44	60	8	10	N/A	N/A	N/A	N/A	N/A	N/A	N/A	N/A
		1	55	60	6	10	N/A	N/A	N/A	N/A	N/A	N/A	N/A	N/A
		1 or 2	85	90	4	8	59	26	60	30	6	10	10	10
		1 or 2	110	110	2	6	59	52	60	60	6	6	10	10
WA602-B00,BOZ B09 B15 B18	230/208-3	1	32	45	8	10	N/A	N/A	N/A	N/A	N/A	N/A	N/A	N/A
		1	34	45	8	10	N/A	N/A	N/A	N/A	N/A	N/A	N/A	N/A
		1	52	60	6	10	N/A	N/A	N/A	N/A	N/A	N/A	N/A	N/A
		1	60	60	6	10	N/A	N/A	N/A	N/A	N/A	N/A	N/A	N/A
WA602-C00,COZ C09 C15	460-3	1	16	20	12	12	N/A	N/A	N/A	N/A	N/A	N/A	N/A	N/A
		1	17	20	12	12	N/A	N/A	N/A	N/A	N/A	N/A	N/A	N/A
		1	26	30	10	10	N/A	N/A	N/A	N/A	N/A	N/A	N/A	N/A

(1) Maximum size of the time delay fuse or HACR type circuit breaker for protection of field wiring conductors.

(2) Based on 75°C copper wire. All wiring must conform to NEC and all local codes.

(3) These "Minimum Circuit Ampacity" values are to be used for sizing the field power conductors. Refer to the National Electric Code (latest revision), article 310 for power conductor sizing. Caution: When more than one field power conductor circuit is run thru one conduit, the conductors must be derated. Pay special attention to note 8 of Table 310 regarding Ampacity Adjustment Factors when more than 3 conductors are in a raceway.

GENERAL

The equipment covered in this manual is to be installed by trained, experienced service and installation technicians.

The refrigerant system is completely assembled and charged. All internal wiring is complete.

The unit is designed for use with or without duct work. Flanges are provided for attaching the supply and return ducts.

These instructions explain the recommended method to install the air cooled self-contained unit and the electrical wiring connections to the unit.

These instructions and any instructions packaged with any separate equipment required to make up the entire air conditioning system should be carefully read before beginning the installation. Note particularly "Starting Procedure" and any tags and/or labels attached to the equipment.

While these instructions are intended as a general recommended guide, they do not supersede any national and/or local codes in any way. Authorities having jurisdiction should be consulted before the installation is made. See Page 1 for information on codes and standards.

Size of unit for a proposed installation should be based on heat loss calculation made according to methods of Air Conditioning Contractors of America (ACCA). The air duct should be installed in accordance with the Standards of the National Fire Protection Association for the Installation of Air Conditioning and Ventilating Systems of Other Than Residence Type, NFPA No. 90A, and Residence Type Warm Air Heating and Air Conditioning Systems, NFPA No. 90B. Where local regulations are at a variance with instructions, installer should adhere to local codes.

DUCT WORK

Any heat pump is more critical of proper operating charge and an adequate duct system than a straight air conditioning unit. All duct work, supply and return, must be properly sized for the design air flow requirement of the equipment. Air Conditioning Contractors of America (ACCA) is an excellent guide to proper sizing. All duct work or portions thereof not in the conditioned space should be properly insulated in order to both conserve energy and prevent condensation or moisture damage.

Refer to Table 10 for maximum static pressure available for duct design.

Design the duct work according to methods given by the Air Conditioning Contractors of America (ACCA). When duct runs through unheated spaces, it should be insulated with a minimum of one inch of insulation. Use insulation with a vapor barrier on the outside of the insulation. Flexible joints should be used to connect the duct work to the equipment in order to keep the noise transmission to a minimum.

A 1/4-inch clearance to combustible material for the first three feet of duct attached to the outlet air frame is required. See Pages 5, 6 and 7 Wall Mounting Instructions and Figures 2 and 2A for further details.

Ducts through the walls must be insulated and all joints taped or sealed to prevent air or moisture entering the wall cavity.

CAUTION: Some installations may not require any return air duct. A metallic return air grille is required with installations not requiring a return air duct. The spacing between louvers on the grille shall not be larger than 5/8 inches.

Any grille that meets the 5/8 inch louver criteria, may be used. It is recommended that Bard Return Air Grille Kit RG2 thru RG5 or RFG2 thru RFG5 be installed when no return duct is used. Contact distributor or factory for ordering information. If using a return air filter grille, filters must be of sufficient size to allow a maximum velocity of 400 fpm.

NOTE: If no return air duct is used, applicable installation codes may limit this cabinet to installation only in a single story structure.

FILTERS

A 1-inch throwaway filter is supplied with each unit. The filter slides into position making it easy to service. This filter can be serviced from the outside by removing the service door. A 1-inch washable filter and 2-inch pleated filter are also available as optional accessories. The internal filter brackets are adjustable to accommodate the 2-inch filter by loosening 2 screws in each bracket assembly and sliding the brackets apart to the required width and retightening the 4 screws.

FRESH AIR INTAKE

All units are built with fresh air inlet slots punched in the service panel.

The fresh air damper assembly is standard equipment with the unit because of the variety of state or local codes requiring fresh air capability. It is shipped already attached to each unit.

All capacity, efficiency and cost of operation information as required for Department of Energy "Energyguide" Fact Sheets is based upon the fresh air blank-off plate in place and is recommended for maximum energy efficiency.

The blank-off plate is available upon request from the factory and is installed in place of the fresh air damper shipped with each unit.

CONDENSATE DRAIN

A plastic drain hose extends from the drain pan at the top of the unit down to the unit base. There are openings in the unit base for the drain hose to pass through. In the event the drain hose is connected to a drain system of some type, it must be an open or vented type system to assure proper drainage.

PART 2 -- INSTALLATION INSTRUCTIONS

WALL MOUNTING INFORMATION

1. Two holes, for the supply and return air openings, must be cut through the wall as shown in Figure 2.
2. On wood-frame walls, the wall construction must be strong and rigid enough to carry the weight of the unit without transmitting any unit vibration. **WARNING:** Fire hazard can result if 1/4-inch clearance to combustible materials for supply air duct is not maintained. See Figure 2.
3. Concrete block walls must be thoroughly inspected to insure that they are capable of carrying the weight of the installing unit.

MOUNTING THE UNIT

1. These units are secured by wall mounting brackets which secure the unit to the outside wall surface at both sides. A bottom mounting bracket is provided for ease of installation.
2. The unit itself is suitable for "0" inch clearance, but the supply air duct flange and the first 3 feet of supply air duct require a minimum of 1/4-inch clearance to combustible material. If a combustible wall, use a minimum of 30-1/2" x 10-1/2" dimensions for sizing. However, it is generally recommended that a 1-inch clearance is used for ease of installation and maintaining the required clearance to combustible material. The supply air opening would then be 32" x 12". See Figures 2 and 2A for details.

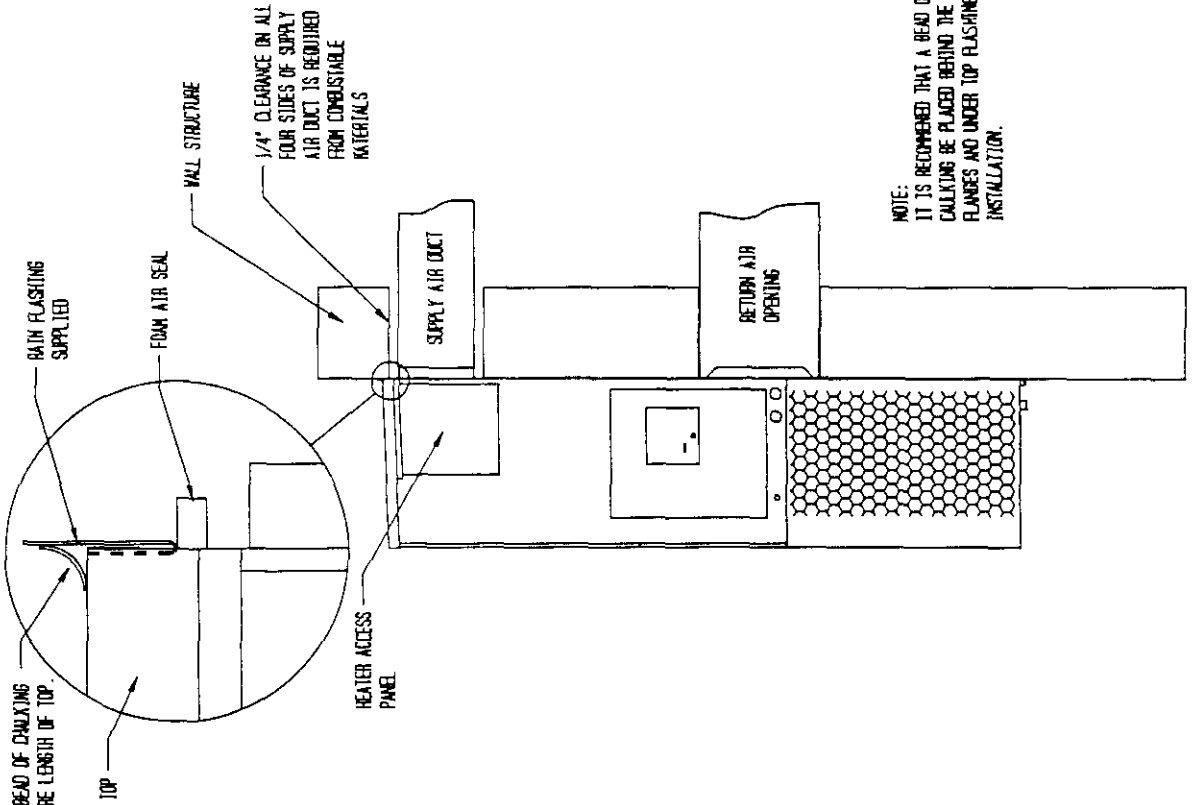
WARNING: Failure to provide the 1/4-inch clearance between the supply duct and a combustible surface for the first 3 feet of duct can result in fire.

3. Locate and mark lag bolt locations and bottom mounting bracket location. See Figure 2.
4. Mount bottom mounting bracket.
5. Hook top rain flashing under back bend of top. Top rain flashing is shipped secured to the right side of the back.
6. Position unit in opening and secure with 5/16 lag bolts; use 7/8-inch diameter flat washers on the lag bolts.
7. Secure rain flashing to wall and caulk across entire length of top. See Figure 2.
8. For additional mounting rigidity, the return air and supply air frames or collars can be drilled and screwed or welded to the structural wall itself (depending upon wall construction). Be sure to observe required clearance if combustible wall.
9. On side by side installations, maintain a minimum of 20-inches clearance on right side to allow access to heat strips and control panel and to allow proper airflow to the outdoor coil. Additional clearance may be required to meet local or national codes.

FIGURE 2
MOUNTING INSTRUCTIONS

	A	B	C	D	E
REQUIRED DIMENSIONS TO MAINTAIN 1/4" MIN. CLEARANCE FROM COMBUSTIBLE MATERIALS	30 1/2	10 1/2	6 1/4	1 5/16	29 1/2
REQUIRED DIMENSIONS TO MAINTAIN RECOMMENDED 1" CLEARANCE FROM COMBUSTIBLE MATERIALS	32	12	5 1/2	9/16	28

NOTE: It is recommended that a bead of silicone caulking be placed behind the side mounting flanges and under the top flashing at time of installation.



NOTE:
IT IS RECOMMENDED THAT A BEAD OF SILICONE CAULKING BE PLACED BEHIND THE SIDE MOUNTING FLANGES AND UNDER TOP FLASHING AT TIME OF INSTALLATION.

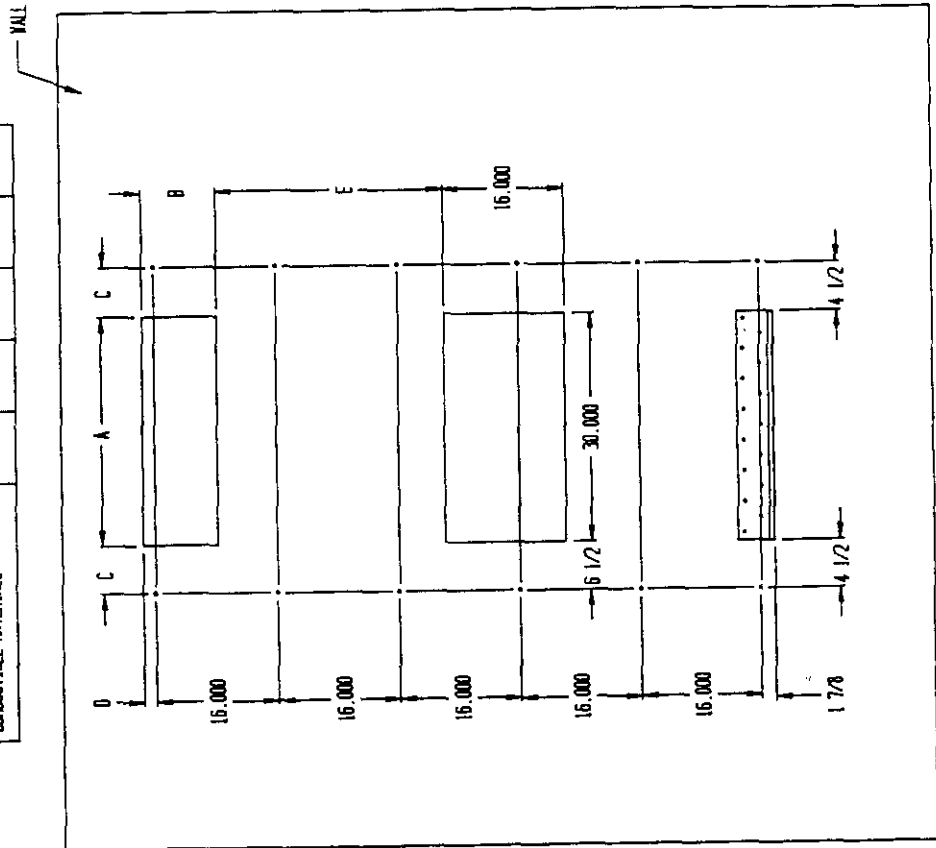
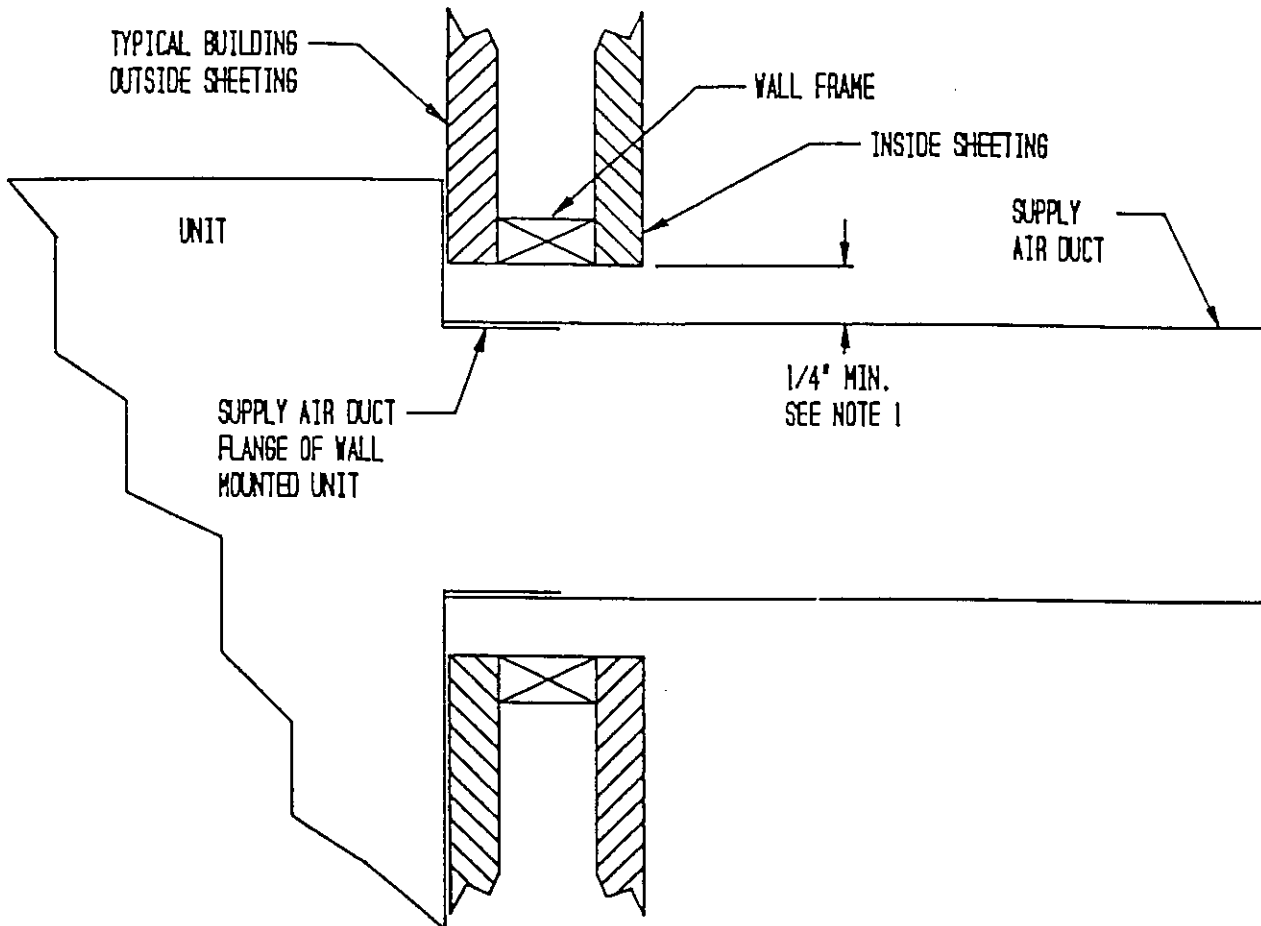


FIGURE 2A
ELECTRIC HEAT CLEARANCE



Side section view of supply air duct for wall mounted unit showing 1/4" clearance to combustibles.

NOTE 1:

WARNING
A <u>minimum</u> of 1/4" clearance must be maintained between the supply air duct and combustibles materials. This is required for the first 3 feet of ducting.
It is important to insure that the 1/4-inch minimum spacing is maintained at all points.
Failure to do this could result in overheating the combustible material and may result in a fire.

WIRING--MAIN POWER

Refer to the unit rating plate for wire sizing information and maximum fuse or "HACR Type" circuit breaker size. Each outdoor unit is marked with a "Minimum Circuit Ampacity". This means that the field wiring used must be sized to carry that amount of current. Depending on the installed KW of electric heat, there may be two field power circuits required. If this is the case, the unit serial plate will so indicate. All models are suitable only for connection with copper wire. Each unit and/or wiring diagram will be marked "Use Copper Conductors Only". These instructions MUST BE adhered to. Refer to the National Electrical Code (NEC) for complete current carrying capacity data on the various insulation grades of wiring material. All wiring must conform to NEC and all local codes.

The electrical data lists fuse and wire sizes (75°C copper) for all models, including the most commonly used heater sizes. Also shown are the number of field power circuits required for the various models with heaters.

The unit rating plate lists a "Maximum Time Delay Relay Fuse" or "HACR Type" circuit breaker that is to be used with the equipment. The correct size must be used for proper circuit protection and also to assure that there will be no nuisance tripping due to the momentary high starting current of the compressor motor.

The disconnect access door on this unit may be locked to prevent unauthorized access to the disconnect. To convert for the locking capability, bend the tab located in the bottom left hand corner of the disconnect opening under the disconnect access panel straight out. This tab will now line up with the slot in the door. When shut, a padlock may be placed through the hole in the tab preventing entry.

See startup section for information on three phase scroll compressor startups.

WIRING: LOW VOLTAGE WIRING

230/208V, 1 phase and 3 phase equipment dual primary voltage transformers. All equipment leaves the factory wired on 240V tap. For 208V operation, reconnect from 240V to 208V tap. The acceptable operating voltage range for the 240 and 208V taps are:

TAP	RANGE
240	253 - 216
208	220 - 187

NOTE: The voltage should be measured at the field power connection point in the unit and while the unit is operating at full load (maximum amperage operating condition).

Five (5) wires should be run from thermostat subbase to the 24V terminal board in the unit. A five conductor, 18 gauge copper, color-coded thermostat cable is recommended. The connection points are shown in Figure 3.

TABLE 3 THERMOSTAT WIRE SIZE

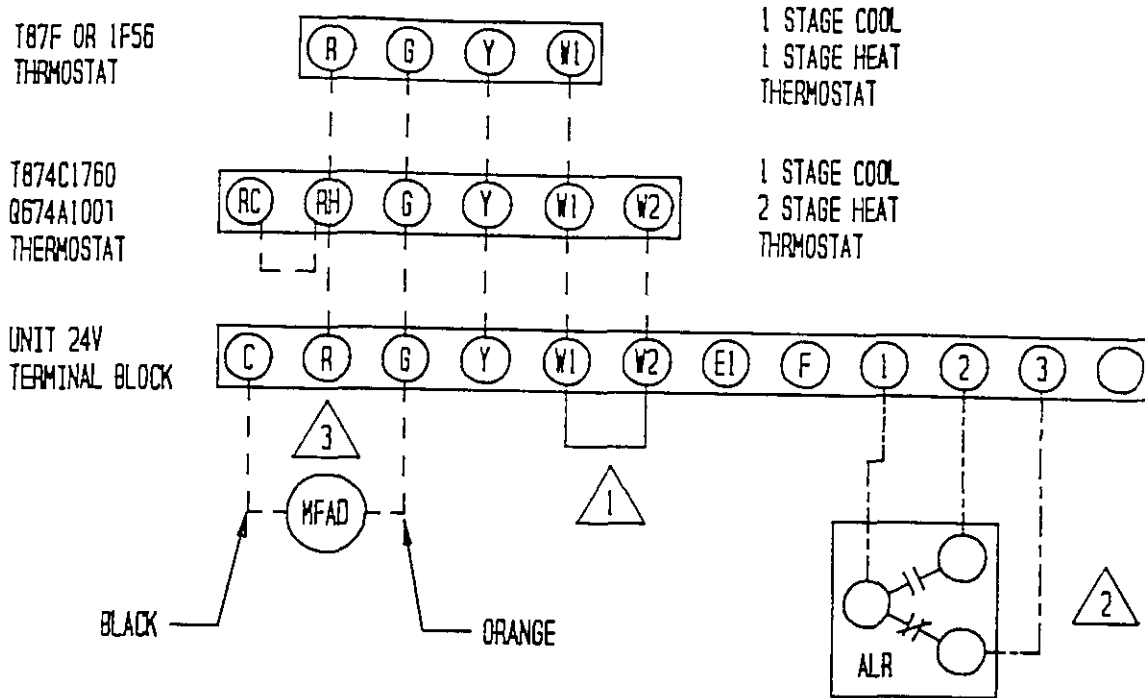
Transformer VA	FLA	Wire Gauge	Maximum Distance In Feet
55	2.3	20 Gauge	45
		18 "	60
		16 "	100
		14 "	160
		12 "	250




TABLE 3A WALL THERMOSTAT AND SUBBASE COMBINATIONS

Thermostat	Subbase	Predominate Features
8403-019	8404-012	1 stage cool, 2 stage heat
T874C1760	Q674A1001	System: heat-auto-cool Fan: on-auto
8403-002	8404-003	1 stage heat, 1 stage cool
T87F3111	Q539A1220	System: heat-off-cool Fan: on-auto
8403-009	----	1 stage heat, 1 stage cool
1F56-318		

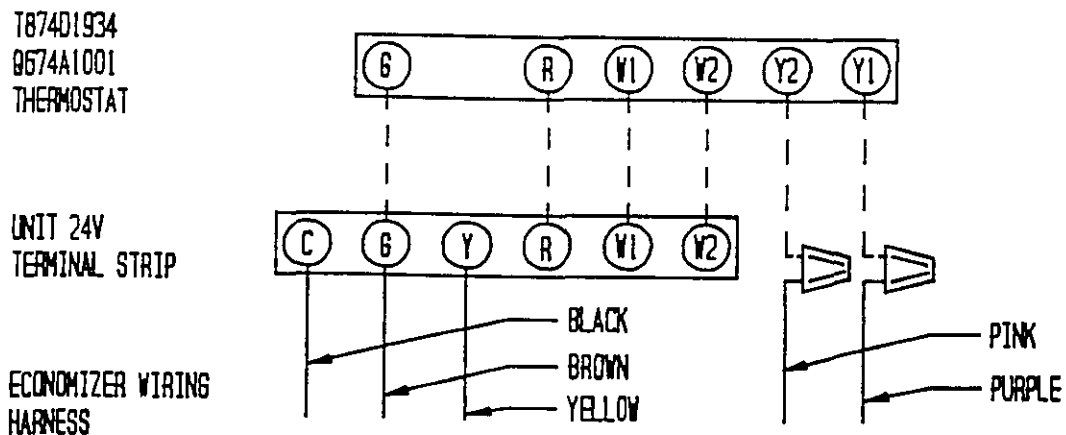
FIGURE 3

LOW VOLTAGE WIRING



-  REMOVE JUMPER FOR 2 STAGE ELECTRIC HEAT ON UNITS WITH 15 OR MORE KW
-  OPTIONAL ALARM RELAY PROVIDED ON UNITS WITH CONTROL MODULE "M" OR "J" INSTALLED. CONTACT RATING 24VAC @ 125VA
-  OPTIONAL MOTORIZED FRESH AIR DAMPER SUGGESTED HOOK UP

OPTIONAL ECONOMIZER LOW VOLTAGE WIRING



PART 3 -- START-UP

IMPORTANT INSTALLER NOTE

For improved start-up performance, wash the indoor coil with a dishwasher detergent.

CRANKCASE HEATERS

WA421 units are provided with compressor crankcase heat. WA602 and WA482 units are not provided with crankcase heat. These units utilize scroll compressors which do not require crankcase in this application.

The WA421 models have an insertion well-type heater located in the lower section of the compressor housing. This is a self-regulating type heater that draws only enough power to maintain the compressor at a safe temperature on these units.

Some form of crankcase heat is essential to prevent liquid refrigerant from migrating to the compressor, causing oil pump out on compressor start-up and possible valve failure due to compressing a liquid.

The decal in Figure 4 is affixed to all WA421 units detailing start-up procedure. This is very important. Please read carefully.

HIGH PRESSURE SWITCH

The WA482 and WA602 models are supplied with a remote reset high pressure switch. If tripped, this pressure switch may be reset by turning the thermostat off then back on again.

THREE PHASE SCROLL COMPRESSOR START UP INFORMATION

Scroll compressors, like several other types of compressors, will only compress in one rotational direction. Direction of rotation is not an issue with single phase compressors since they will always start and run in the proper direction.

However, three phase compressors will rotate in either direction depending upon phasing of the power. Since there is a 50-50 chance of connecting power in such a way as to cause rotation in the reverse direction, verification of proper rotation must be made. Verification of proper rotation direction is made by observing that suction pressure drops and discharge pressure rises when the compressor is energized. Reverse rotation also results in an elevated sound level over that with correct rotation, as well as, substantially reduced current draw compared to tabulated values.

There is no negative impact on durability caused by operating three phase Compliant Scroll compressors in the reversed direction. However, after several minutes of operation, the compressor's internal protector will trip.

All three phase ZR3 compressors are wired identical internally. As a result, once the correct phasing is determined for a specific system or installation, connecting properly phased power leads to the same Fusite terminal should maintain proper rotation direction.

THE DIRECTION OF ROTATION OF THE MOTOR MAY BE CHANGED BY REVERSING ANY TWO LINE CONNECTIONS TO THE UNIT.

FIGURE 4

IMPORTANT

THESE PROCEDURES MUST BE FOLLOWED AT INITIAL START-UP AND AT ANY TIME POWER HAS BEEN REMOVED FOR 12 HOURS OR LONGER.

TO PREVENT COMPRESSOR DAMAGE WHICH MAY RESULT FROM THE PRESENCE OF LIQUID REFRIGERANT IN THE COMPRESSOR CRANKCASE

1. MAKE CERTAIN THE ROOM THERMOSTAT IS IN THE "OFF" POSITION. (THE COMPRESSOR IS NOT TO OPERATE).
2. APPLY POWER BY CLOSING THE SYSTEM DISCONNECT SWITCH THIS ENERGIZES THE COMPRESSOR HEATER WHICH EVAPORATES THE LIQUID REFRIGERANT IN THE CRANKCASE.
3. ALLOW 4 HOURS OR 60 MINUTES PER POUND OF REFRIGERANT IN THE SYSTEM AS NOTED ON THE UNIT RATING PLATE, WHICHEVER IS GREATER.
4. AFTER PROPERLY ELAPSED TIME THE THERMOSTAT MAY BE SET TO OPERATE THE COMPRESSOR.
5. EXCEPT AS REQUIRED FOR SAFETY WHILE SERVICING -- DO NOT OPEN SYSTEM DISCONNECT SWITCH.

7961-061

SERVICE HINTS

1. Caution homeowner to maintain clean air filters at all times. Also, not to needlessly close off supply and return air registers. This reduces air flow through the system, which shortens equipment service life as well as increasing operating costs.
2. Switching to heating cycle at 75°F or higher outside temperature may cause a nuisance trip of the remote reset high pressure switch. Turn thermostat off, then on to reset the high pressure switch.
3. Check all power fuses or circuit breakers to be sure they are the correct rating.
4. Periodic cleaning of the outdoor coil to permit full and unrestricted airflow circulation is essential.

SEQUENCE OF OPERATION

COOLING--Circuit R-Y makes at thermostat pulling in compressor contactor, starting the compressor and outdoor motor. The G (indoor motor) circuit is automatically completed on any call for cooling operation or can be energized by manual fan switch on subbase for constant air circulation. On a call for heating, circuit R-W1 make at the thermostat pulling in heat contact for the strip heat and blower operation. On a call for second stage heat, R-W2 makes bringing on second heat contactor, if so equipped.

PRESSURE SERVICE PORTS

High and low pressure service ports are installed on all units so that the system operating pressures can be observed. Pressure curves can be found later in the manual covering all models. It is imperative to match the correct pressure curve to the unit by model number.

PART 4 -- TROUBLESHOOTING

FAN BLADE SETTING DIMENSIONS

Shown in the drawing below are the correct fan blade setting dimensions for proper air delivery across the outdoor coil.

Any service work requiring removal or adjustment in the fan and/or motor area will require that the dimensions below be checked and blade adjusted in or out on the motor shaft accordingly.

FIGURE 5

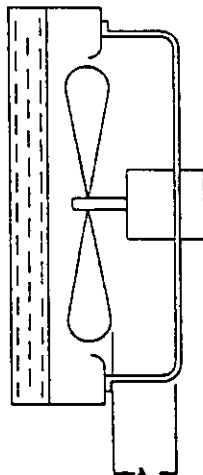


TABLE 4

Model	Dimension A
WA421 WA482 WA602	1.75

REMOVAL OF THE FAN SHROUD

1. Disconnect all power to unit.
2. Remove the screws holding both grills--one on each side of unit--and remove grills.
3. Remove screws holding fan shroud to condenser and bottom. (9) screws.
4. Unwire condenser fan motor.
5. Slide complete motor, fan blade, and shroud assembly out the left side of the unit.
6. Service motor/fan as needed.
7. Reverse steps to reinstall.

REFRIGERANT CHARGE

The correct system R-22 charge is shown on the unit rating plate. Optimum unit performance will occur with a refrigerant charge resulting in a suction line temperature (6" from compressor) as shown in the following table:

TABLE 5

Model	Rated Airflow	95° F OD Temperature	82° F OD Temperature
WA421	1400	52 - 54	64 - 66
WA482	1550	54 - 56	65 - 67
WA602	1700	53 - 55	60 - 62

The above suction line temperatures are based upon 80°F dry/bulb/67°F wet bulb (50 percent R.H.) temperature and rated airflow across the evaporator during cooling cycle.

TABLE 6 INDOOR BLOWER PERFORMANCE--CFM @ 230V

E.S.P. In H ₂ O	WA421, WA482		WA602	
	Lo 230V	Hi 230V	Lo 230V	Hi 230V
	Dry/Wet Coil	Dry/Wet Coil	Dry/Wet Coil	Dry/Wet Coil
.0	1650 / 1600	1885 / 1800	1600 / 1450	2200 / 2000
.1	1550 / 1500	1770 / 1665	1525 / 1375	2100 / 1900
.2	1450 / 1400	1635 / 1540		2000 / 1800
.3	1350 / 1300	1500 / 1400		1875 / 1700
.4	1300 / 1175	1370 / 1285		1775 / 1600
.5	---	1250 / 1150		1650 / 1475

TABLE 7

Model	Rated CFM*	Rated ESP*	Recommended Airflow Range
WA421	1400	.30	1600 - 1150
WA482	1550	.20	1750 - 1285
WA602	1700	.30	1950 - 1375

*Rated CFM and ESP on high speed tap.

MAXIMUM ESP OF OPERATION
ELECTRIC HEAT ONLY

TABLE 8

Model	WA421		WA482		WA602	
	High Speed	Low Speed	High Speed	Low Speed	High Speed	Low Speed
-A05	.50	.50	.50	.50	.50	.50
-A10	.50	.50	.50	.50	.50	.50
-A15	.50	.50	.50	.50	.50	.50
-A20	.50	.45	.50	.45	.50	.40
-B00	.50	.50	.50	.50	.50	.50
-B09	.50	.50	.50	.50	.50	.50
-B15	.50	.50	.50	.50	.50	.50
-B18	.50	.50	.50	.50	.50	.50
-C09	.50	.50	.50	.50	.50	.50
-C15	.50	.50	.50	.50	.50	.50

Values shown are for units equipped with STD 1-inch throw-away filter or 1-inch washable filter. Derate ESP by .15 for 2-inch pleated filters.

COOLING

TABLE 9

Air Temperature Entering Outdoor Coil °F

Model	Return Air Temperature	Pressure	°	°	°	°	°	°	°	°	°
			75	80	85	90	95	100	105	110	115
WA421	75 deg. DB	Low Side	68	71	74	76	78	80	81	83	84
	62 deg. WB	High Side	213	228	243	259	274	290	305	321	337
	80 deg. DB	Low Side	72	76	79	82	84	86	88	89	90
	67 deg. WB	High Side	218	234	249	265	281	297	313	330	346
WA482	85 deg. DB	Low Side	78	82	85	88	90	92	94	96	97
	72 deg. WB	High Side	226	242	258	274	290	307	323	341	358
	75 deg. DB	Low Side	73	74	76	78	79	80	82	83	84
	62 deg. WB	High Side	204	217	232	248	265	284	304	325	348
WA602	80 deg. DB	Low Side	78	79	81	82	84	86	87	89	90
	67 deg. WB	High Side	210	223	238	254	272	291	312	334	357
	85 deg. DB	Low Side	84	85	87	88	90	92	93	95	97
	72 deg. WB	High Side	217	231	247	264	282	302	323	345	369
WA602	75 deg. DB	Low Side	71	72	74	75	76	77	78	78	79
	62 deg. WB	High Side	233	247	262	278	295	313	331	351	371
	80 deg. DB	Low Side	76	78	79	80	81	82	83	84	85
	67 deg. WB	High Side	237	253	269	285	303	321	340	360	381
WA602	85 deg. DB	Low Side	84	85	85	86	87	88	89	90	91
	72 deg. WB	High Side	245	261	278	296	314	333	353	373	394

Low side pressure + 2 PSIG

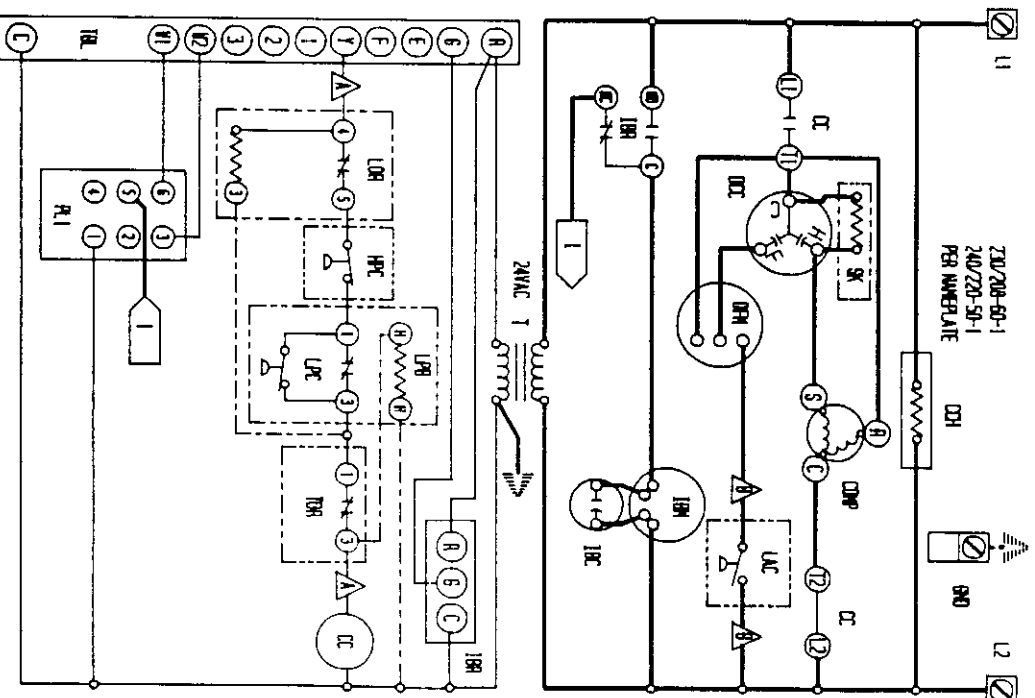
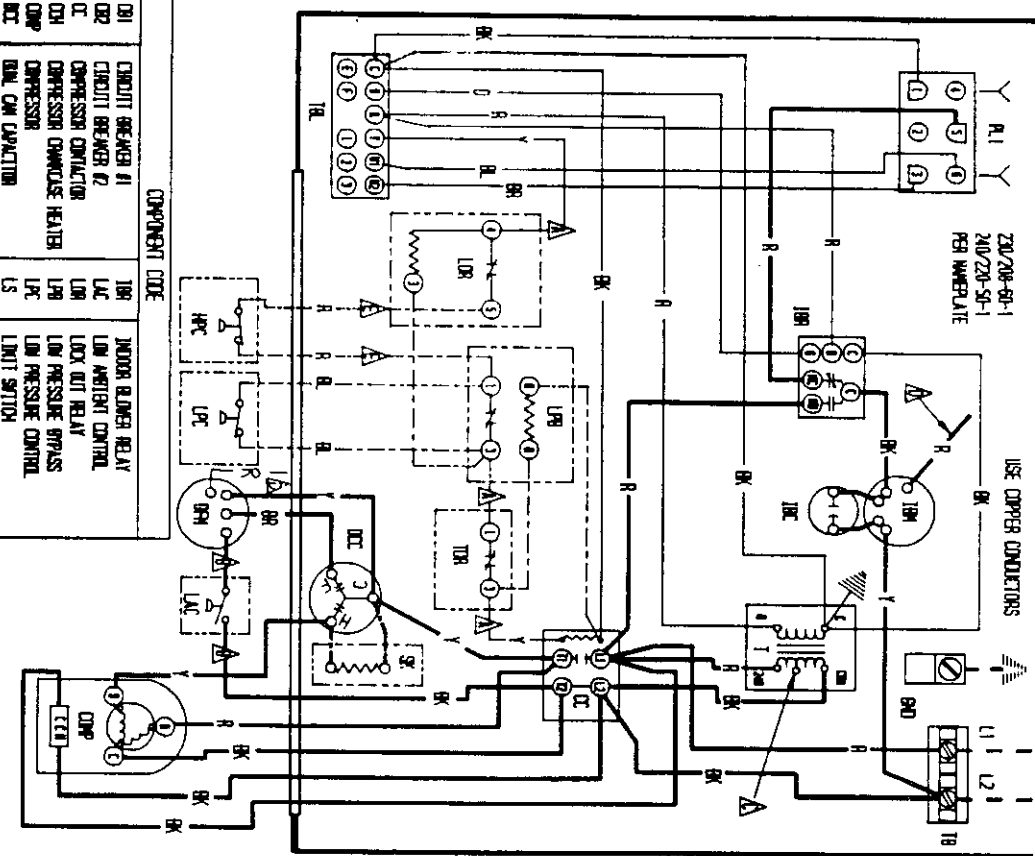
High side pressure + 5 PSIG

Tables are based upon rated CFM (airflow) across the evaporator coil and should be found under section titled "Refrigerant Charge" elsewhere in manual. If there is any doubt as to correct operating charge being in the system, the charge should be removed, system evacuated, and recharged to serial plate instructions.

TABLE 10

OPTIONAL ACCESSORIES

Model	Description	W	W	W	W	W	W	W	W	W
		A	A	A	A	A	A	A	A	A
		4	4	4	4	4	4	4	6	6
		2	2	2	8	8	8	2	0	0
		1	1	1	2	2	2	2	2	2
		-	-	-	-	-	-	-	-	-
		A	B	C	A	B	C	A	B	C
EHWA05-A05	Heater Packages	X			X			X		
EHWA05-A08	Heater Packages	X			X			X		
EHWA05-A10	Heater Packages	X			X			X		
EHWA05-A15	Heater Packages	X			X			X		
EHWA05-B09	Heater Packages		X			X			X	
EHWA05-B15	Heater Packages		X			X			X	
EHWA05-B18	Heater Packages		X			X			X	
EHWC05-C05	Heater Packages			X			X			X
EHWA05-C15	Heater Packages			X			X			X
BOP-5	Blank Off Plate	X	X	X	X	X	X	X	X	X
BEAD-5	Barometric Fresh Air Damper	X	X	X	X	X	X	X	X	X
MEAD-5	Motorized Fresh Air Damper	X	X	X	X	X	X	X	X	X
CRV-5	Classroom Ventilator With Exhaust	X	X	X	X	X	X	X	X	X
E1EM-5	Economizer With Exhaust	X	X	X	X	X	X	X	X	X
NERV-ASA	Energy Recovery Ventilator	X	X		X	X		X	X	
NERV-C5A	Energy Recovery Ventilator			X				X		X
CMA-1	High Pressure Control (HPC)	X	X	X						
CMA-2	Low Pressure Control (LPC)	X	X	X						
CMA-4	Low and High Pressure Control	X	X	X						
CMA-5	Time Delay Relay (TDR)	X	X	X	X	X	X	X	X	X
CMA-6	Low Ambient Control (LAC)	X	X		X	X		X	X	
CMA-8	TDR + HPC	X	X	X						
CMA-10	LPC + HPC + TDR	X	X	X						
CMA-11	LPC + HPC + LAC	X	X							
CMA-12	LAC + TDR	X	X							
CMA-13	LPC + HPC + TDR + LAC + Alarm Relay	X	X							
CMC-15	Start Kit	X								
CMA-16	Low Pressure Control				X	X	X	X	X	X
CMA-17	LPC & TDR				X	X	X	X	X	X
CMA-18	LPC & LAC				X	X		X	X	
CMA-19	LAC & TDR				X	X		X	X	
CMC-20	LAC & TDR & LPC				X	X		X	X	
WMCB-05B	Circuit Breaker Kit		X				X			
WMPD-01C	Pull Disconnect Kit			X			X			X
WMCB-08A	Circuit Breaker Kit		X		X					
WMCB-09A	Circuit Breaker Kit							X		
WMCB-07B	Circuit Breaker Kit								X	



COMPONENT CODE	COMPONENT
DB1	CIRCUIT BREAKER #1
DB2	CIRCUIT BREAKER #2
CC	COMPRESSOR CONTACTOR
CCP	COMPRESSOR OVERLOAD RELAY
CCM	COMPRESSOR
CCO	COMPRESSOR OVERLOAD RELAY
CCS	COMPRESSOR START KIT
CCV	COMPRESSOR VOLTAGE THERMAL BLOCK
CCW	COMPRESSOR WINDING
CCX	COMPRESSOR XERON
CCY	COMPRESSOR YERON
CCZ	COMPRESSOR ZERON
CC1	COMPRESSOR 1
CC2	COMPRESSOR 2
CC3	COMPRESSOR 3
CC4	COMPRESSOR 4
CC5	COMPRESSOR 5
CC6	COMPRESSOR 6
CC7	COMPRESSOR 7
CC8	COMPRESSOR 8
CC9	COMPRESSOR 9
CC0	COMPRESSOR 0
CC1	COMPRESSOR 1
CC2	COMPRESSOR 2
CC3	COMPRESSOR 3
CC4	COMPRESSOR 4
CC5	COMPRESSOR 5
CC6	COMPRESSOR 6
CC7	COMPRESSOR 7
CC8	COMPRESSOR 8
CC9	COMPRESSOR 9
CC0	COMPRESSOR 0
CC1	COMPRESSOR 1
CC2	COMPRESSOR 2
CC3	COMPRESSOR 3
CC4	COMPRESSOR 4
CC5	COMPRESSOR 5
CC6	COMPRESSOR 6
CC7	COMPRESSOR 7
CC8	COMPRESSOR 8
CC9	COMPRESSOR 9
CC0	COMPRESSOR 0

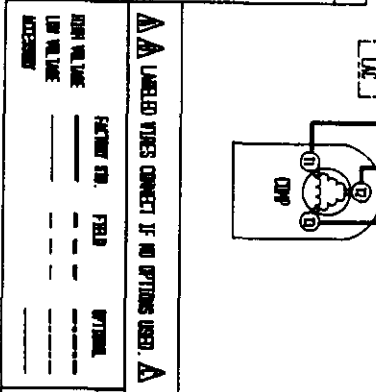
▲ ▲ ▲ LABELLED WIRES CONNECT IF NO OPTIONS USED. ▲ HAVE RED WIRE TO 208V TAP FOR 208V OPERATION ▲ RED (LUB) BLACK (HUB) LUBRIC LUBRIC APPLICABLE

FACTORY STD.	FIELD	OPTIONAL
HIGH VOLTAGE	---	---
LOW VOLTAGE	---	---
ACCESSORY	---	---

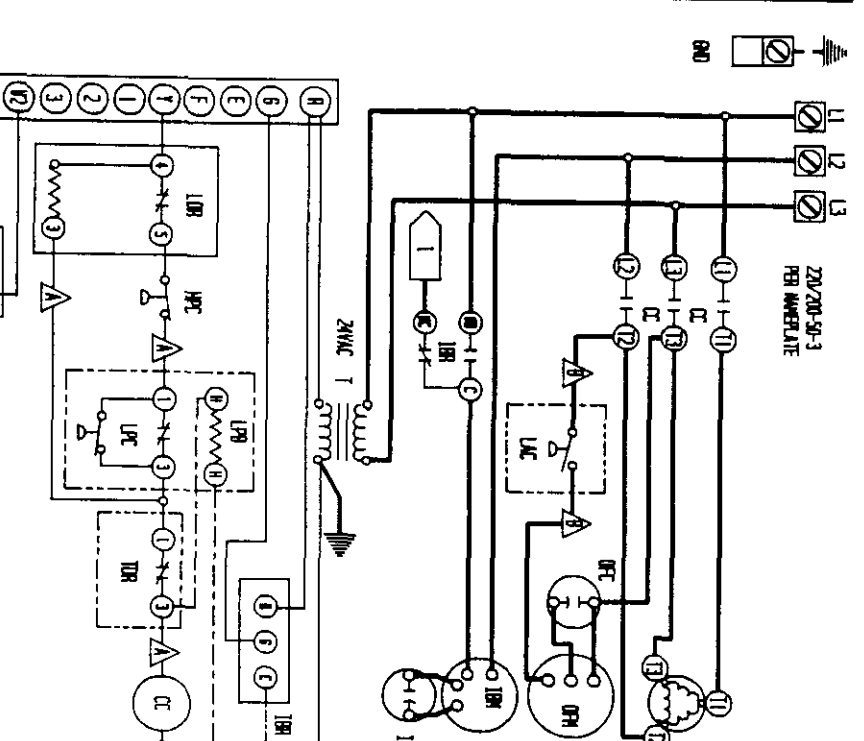
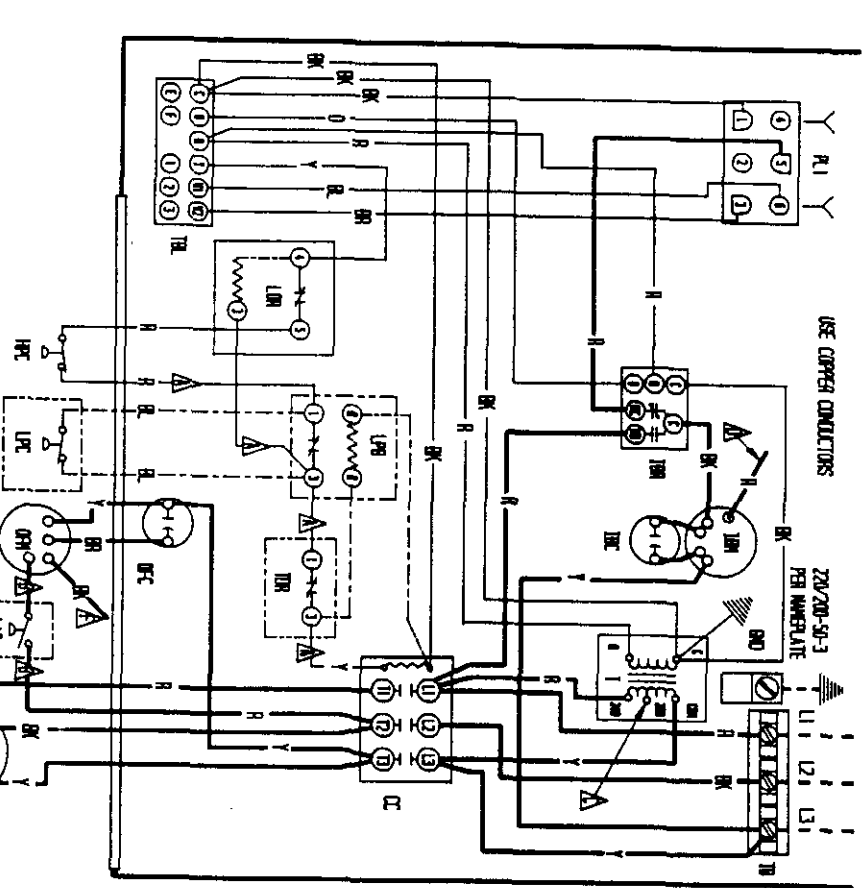
COLOR CODE		
BR	BLACK	1
BN	BROWN	2
RD	RED	3
OR	ORANGE	4
Y	YELLOW	5
GR	GREEN	6
BL	BLUE	7
W	WHITE	8
V	VIOLET	9
(RN)	RED (RN)	10
BY	GRAY	11
SL	SLATE	12
R	RED	13
L	LAVENDER	14
PK	PINK	15
LN	LAVENDER	16

BARB MFG. CO.
 DWS: 4105-110 B
 DWS: 4105-110 B
 DWS: 4105-110 B
 DWS: 4105-110 B

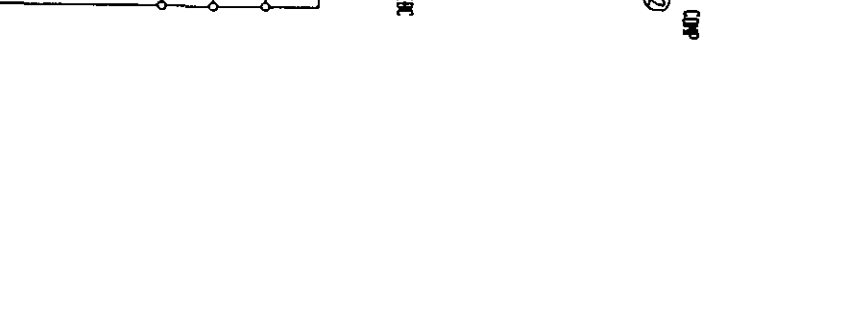
COMPONENT CODE	COMPONENT CODE	COMPONENT CODE	
CB1	CIRCUIT BREAKER #1	LAC	LOW AMBIENT CONTROL
CB2	CIRCUIT BREAKER #2	LOR	LOW OIL RELAY
CC	COMPRESSOR CONTACTOR	LPR	LOW PRESSURE PRESS
COMP	COMPRESSOR	LPC	LOW PRESSURE CONTROL
EN	EQUIPMENT GROUND	LS	LIMIT SWITCH
H1	HEAT STRIP #1	DFC	OUTDOOR FAN CAPACTOR
H2	HEAT STRIP #2	OFM	OUTDOOR FAN MOTOR
HC1	HEATER CONTACTOR #1	R1	RELAY #1
HC2	HEATER CONTACTOR #2	SC	START KITT
HPC	HIGH PRESSURE CONTROL	TR	TEMPERATURE
HMC	HIGH PRESSURE CONTACTOR	TRM	TEMPERATURE MONITOR
HMM	HIGH PRESSURE MOTOR	TRV	TEMPERATURE VALVE
HMR	HIGH PRESSURE RELAY	TRD	TEMPERATURE DIFF
HMS	HIGH PRESSURE SWITCH	TRR	TEMPERATURE RELAY



WIRE COLOR	WIRE COLOR	WIRE COLOR	WIRE COLOR	WIRE COLOR	WIRE COLOR	WIRE COLOR	WIRE COLOR	WIRE COLOR	WIRE COLOR
BLACK	BROWN	RED	ORANGE	YELLOW	GREEN	BLUE	WHITE	VIOLET	PINK
1	2	3	4	5	6	7	8	9	10
11	12	13	14	15	16	17	18	19	20



WIRE COLOR	WIRE COLOR	WIRE COLOR	WIRE COLOR	WIRE COLOR	WIRE COLOR	WIRE COLOR	WIRE COLOR	WIRE COLOR	WIRE COLOR
BLACK	BROWN	RED	ORANGE	YELLOW	GREEN	BLUE	WHITE	VIOLET	PINK
1	2	3	4	5	6	7	8	9	10
11	12	13	14	15	16	17	18	19	20



USE COPPER CONDUCTORS

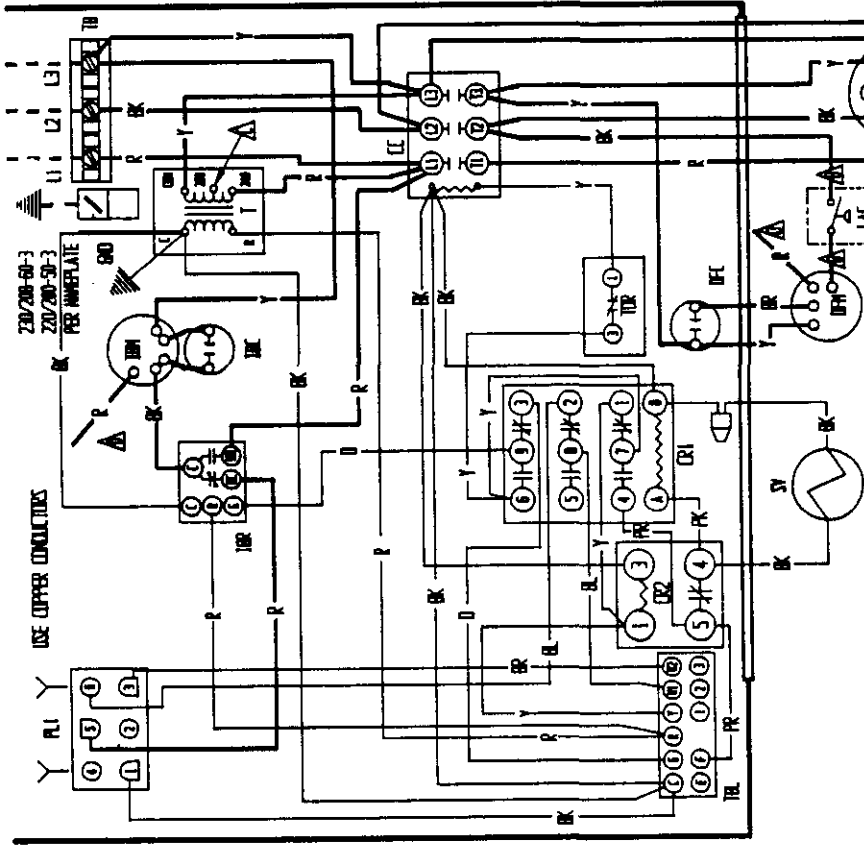
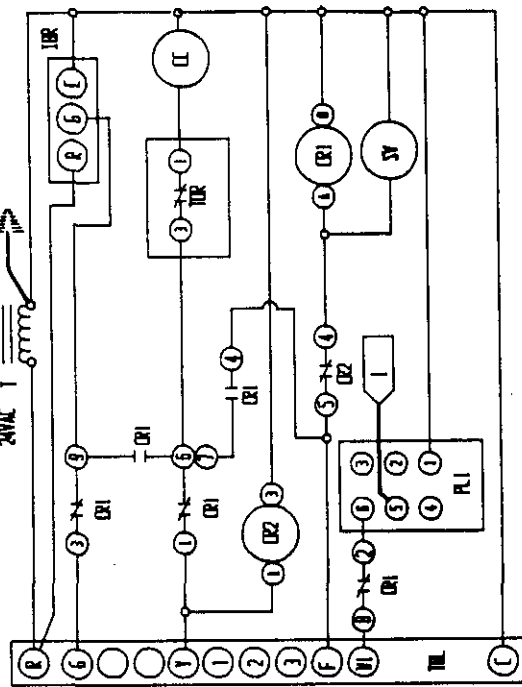
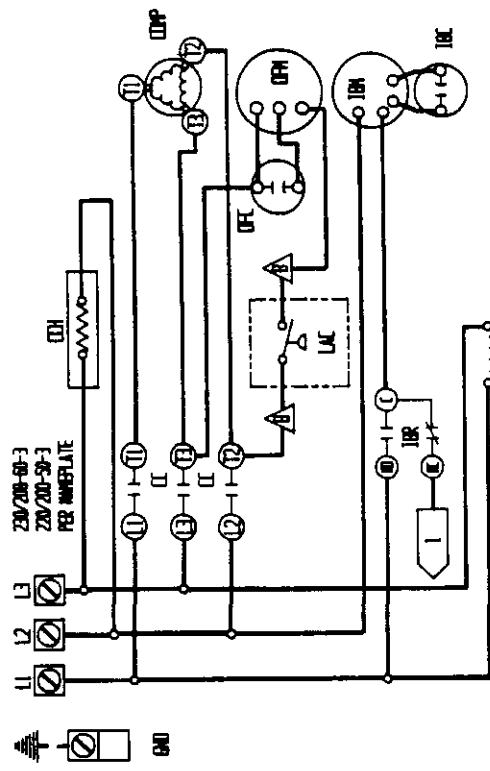
24V/200-50-3
FBI NUMBER PLATE

24V/200-50-3
FBI NUMBER PLATE

NOTE: RED WIRE TO 200V
1/2" FEM 220V OPERATION

NOTE: (BLACK) HIGH SPEED NOT TO
BE USED ON SIZ# MODELS

BAIRD MFG. CO.
Dwg. 4085-213
DAY
DK./MPL.



COMPONENT CODE	DESCRIPTION
C1	CIRCUIT BREAKER #1
C2	CIRCUIT BREAKER #2
C3	COMPRESSOR CONTACTOR
C4	CONTROL RELAY #1
C5	CONTROL RELAY #2
C6	DUAL CAP. CAPACITOR
C7	EQUIPMENT GROUND
C8	HEAT STRIP #1
C9	HEAT STRIP #2
C10	HEATER CONTACTOR #1
C11	HEATER CONTACTOR #2
C12	HIGH PRESSURE CONTROL
C13	INDOOR BLOWER CAPACITOR
C14	INDOOR BLOWER MOTOR
C15	INDOOR BLOWER RELAY
C16	LOW AMBIENT CONTROL
C17	LOCKOUT RELAY
C18	LIMIT SWITCH
C19	OUTDOOR FAN MOTOR
C20	PLUS #1
C21	SILENTED VALVE
C22	TRANSFORMER
C23	TERMINAL BLOCK
C24	LOW VOLTAGE TERMINAL BLOCK
C25	TERMINAL CAPACITOR
C26	TIME DELAY RELAY

▲ LABELLED WIRES CONNECT IF NO OPTIONS USED.

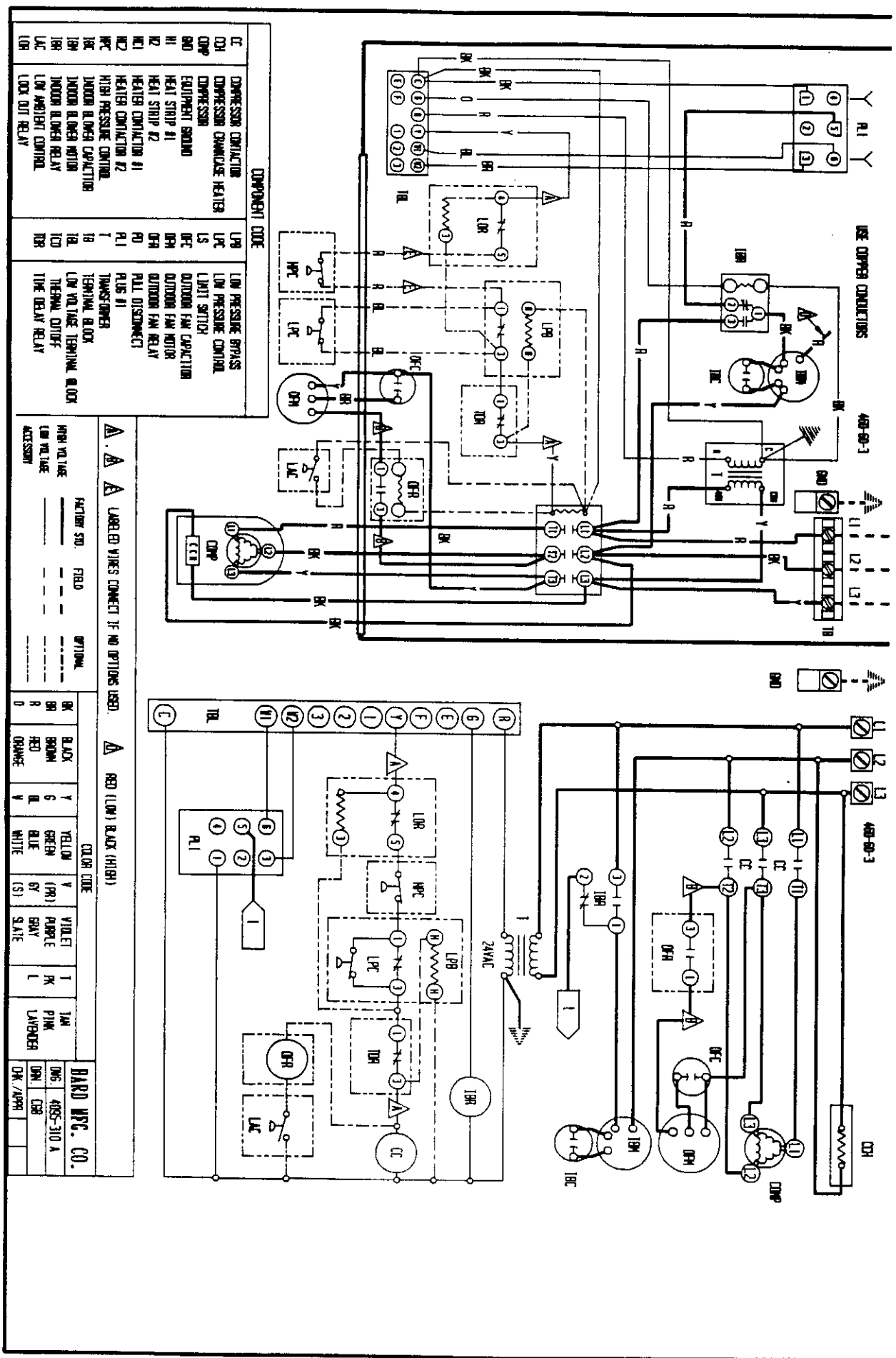
FACTORY STD.	FIELD	OPTIONAL
HIGH VOLTAGE	---	---
LOW VOLTAGE	---	---
ACCESSORY	---	---

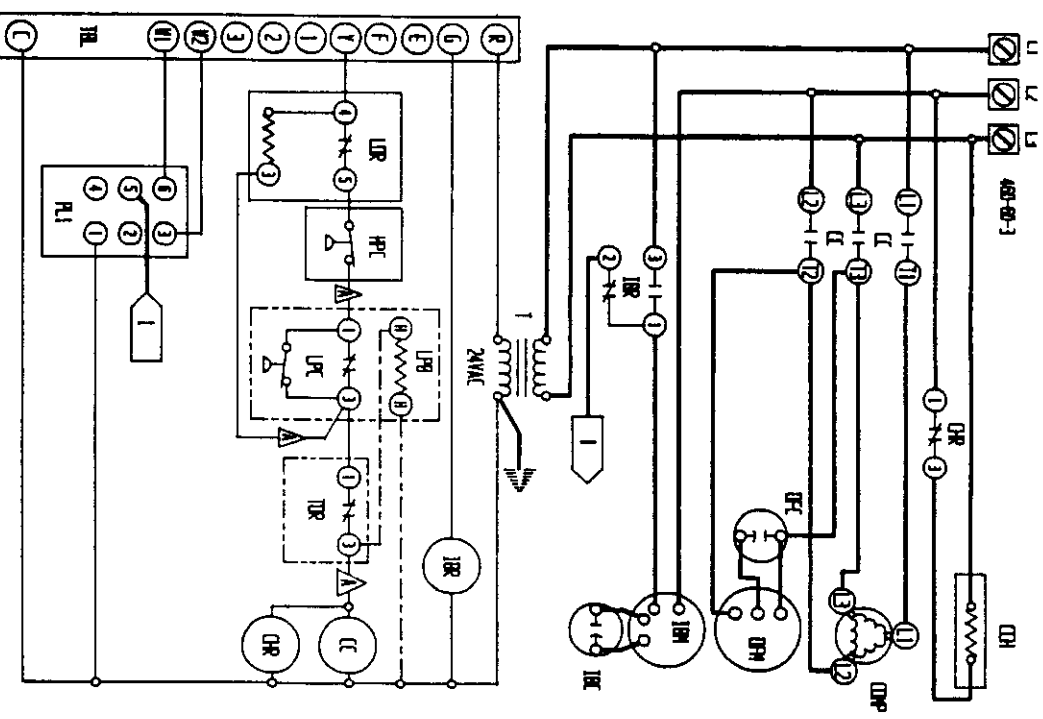
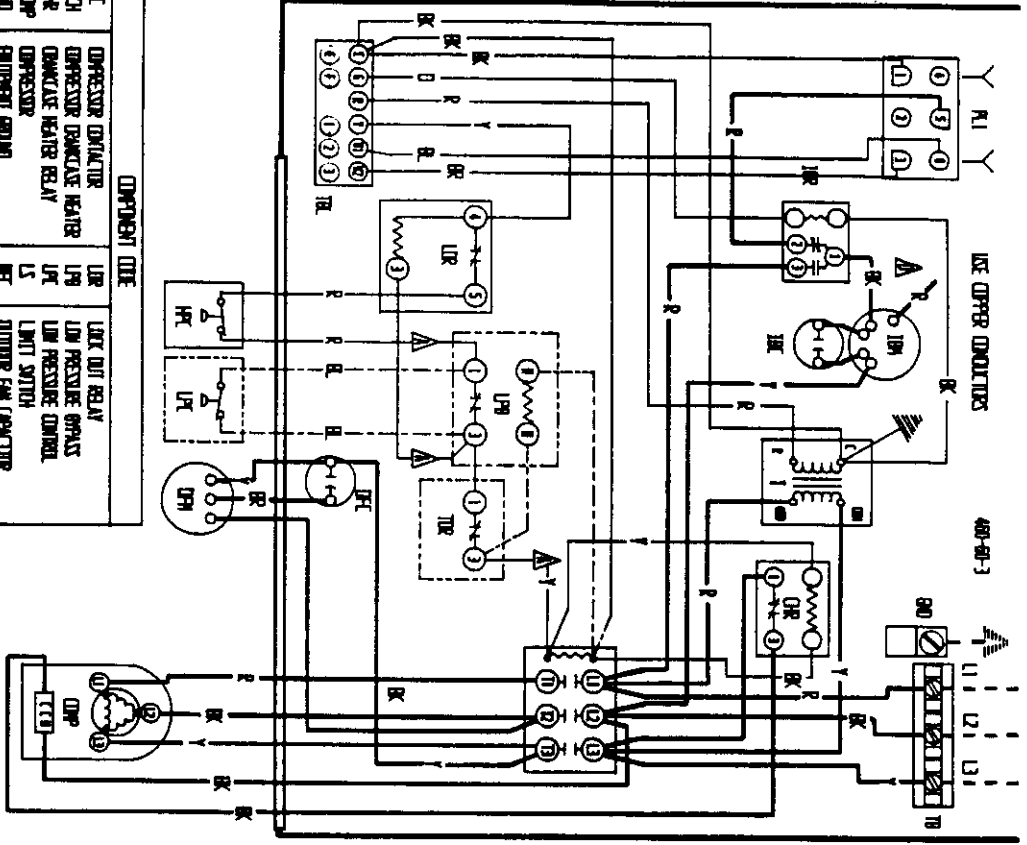
▲ WIRE RED WIRE TO 208V TAP FOR 208V OPERATION ▲ RED (LOW) BLACK (HIGH) WIRE APPLICABLE

BLACK	YELLOW	GREEN	RED	ORANGE	WHITE	SLATE	GRAY	PURPLE	PINK	LAVENDER
1	2	3	4	5	6	7	8	9	10	11

▲ NOTE RED WIRE TO 208V TAP FOR 208V OPERATION ▲ RED (LOW) BLACK (HIGH) WIRE APPLICABLE

RED (LOW) BLACK (HIGH) WIRE APPLICABLE
RAID MFG. CO.
DKG. 4085-221
DBL.
OK./APP.



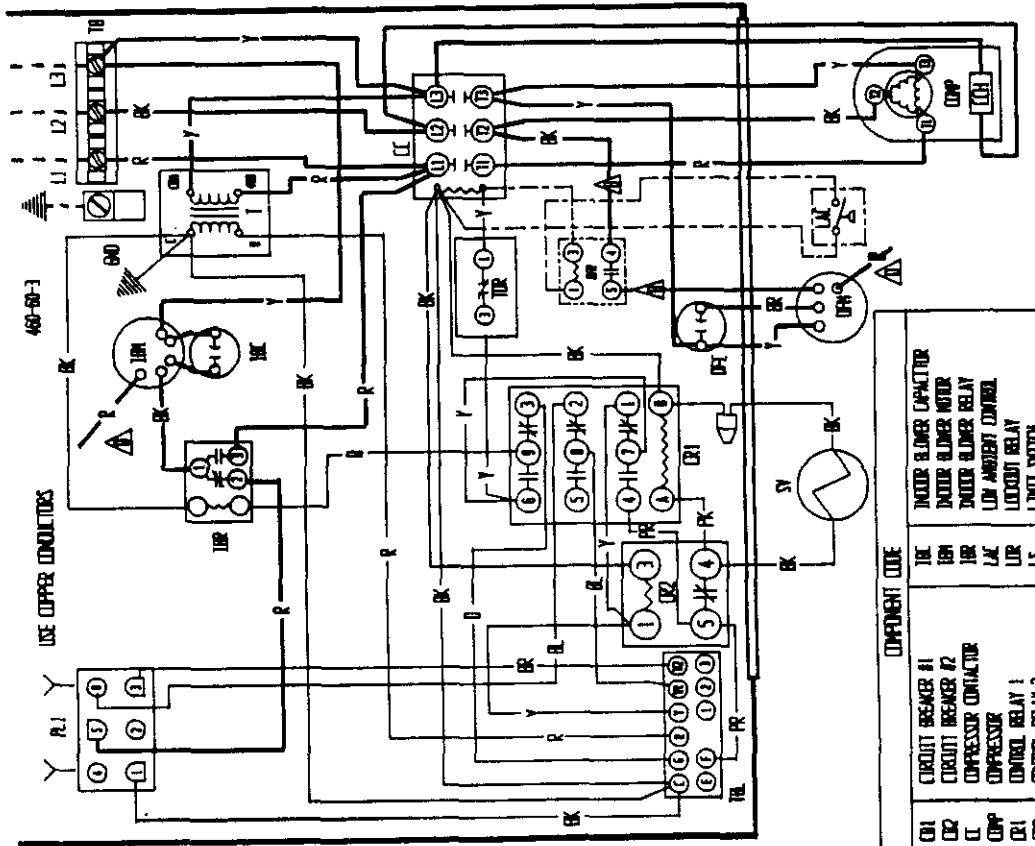
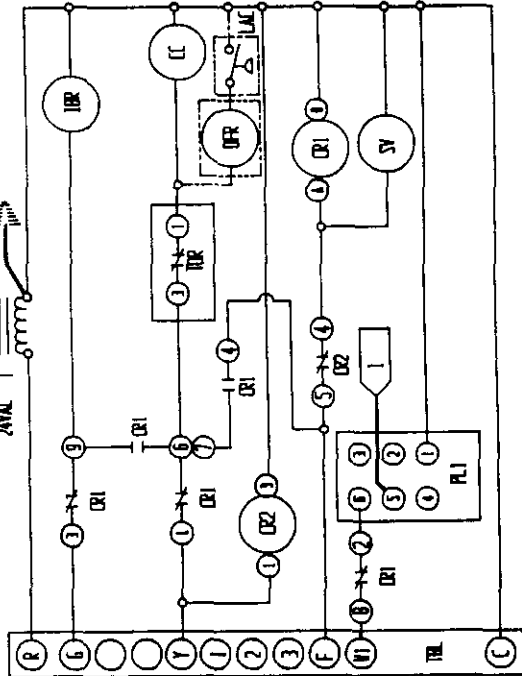
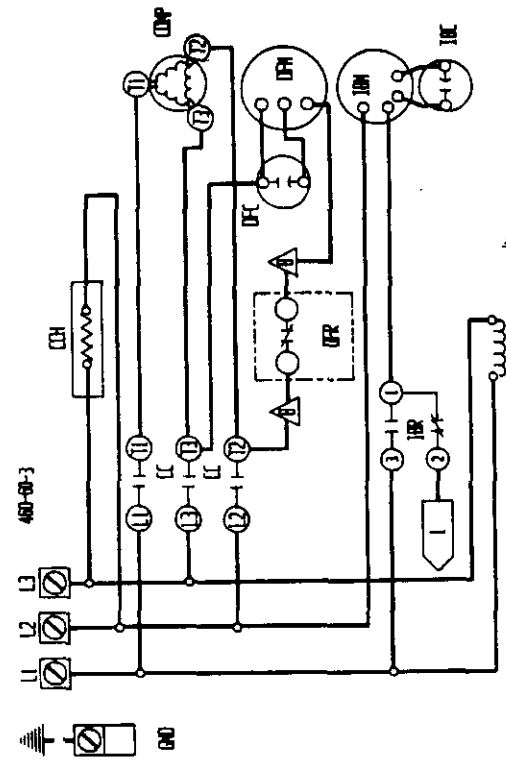


COMPONENT CODE	COMPONENT TITLE
LC	LOCK OUT RELAY
LH	LOW PRESSURE OFFPASS
LH8	LOW PRESSURE CONTROL
LH9	LIMIT SWITCH
LH10	OUTSIDE FAN CONTACTOR
LH11	OUTSIDE FAN MOTOR
LH12	FULL DISCONNECT
LH13	PLUG IN
LH14	TRANSFORMER
LH15	TRIPPING BLOCK
LH16	LOW VOLTAGE TRIPPING BLOCK
LH17	TEMP. OFFPASS
LH18	TRIP RELAY
LH19	TRIP RELAY
LH20	TRIP RELAY
LH21	TRIP RELAY
LH22	TRIP RELAY
LH23	TRIP RELAY
LH24	TRIP RELAY
LH25	TRIP RELAY
LH26	TRIP RELAY
LH27	TRIP RELAY
LH28	TRIP RELAY
LH29	TRIP RELAY
LH30	TRIP RELAY
LH31	TRIP RELAY
LH32	TRIP RELAY
LH33	TRIP RELAY
LH34	TRIP RELAY
LH35	TRIP RELAY
LH36	TRIP RELAY
LH37	TRIP RELAY
LH38	TRIP RELAY
LH39	TRIP RELAY
LH40	TRIP RELAY
LH41	TRIP RELAY
LH42	TRIP RELAY
LH43	TRIP RELAY
LH44	TRIP RELAY
LH45	TRIP RELAY
LH46	TRIP RELAY
LH47	TRIP RELAY
LH48	TRIP RELAY
LH49	TRIP RELAY
LH50	TRIP RELAY
LH51	TRIP RELAY
LH52	TRIP RELAY
LH53	TRIP RELAY
LH54	TRIP RELAY
LH55	TRIP RELAY
LH56	TRIP RELAY
LH57	TRIP RELAY
LH58	TRIP RELAY
LH59	TRIP RELAY
LH60	TRIP RELAY
LH61	TRIP RELAY
LH62	TRIP RELAY
LH63	TRIP RELAY
LH64	TRIP RELAY
LH65	TRIP RELAY
LH66	TRIP RELAY
LH67	TRIP RELAY
LH68	TRIP RELAY
LH69	TRIP RELAY
LH70	TRIP RELAY
LH71	TRIP RELAY
LH72	TRIP RELAY
LH73	TRIP RELAY
LH74	TRIP RELAY
LH75	TRIP RELAY
LH76	TRIP RELAY
LH77	TRIP RELAY
LH78	TRIP RELAY
LH79	TRIP RELAY
LH80	TRIP RELAY
LH81	TRIP RELAY
LH82	TRIP RELAY
LH83	TRIP RELAY
LH84	TRIP RELAY
LH85	TRIP RELAY
LH86	TRIP RELAY
LH87	TRIP RELAY
LH88	TRIP RELAY
LH89	TRIP RELAY
LH90	TRIP RELAY
LH91	TRIP RELAY
LH92	TRIP RELAY
LH93	TRIP RELAY
LH94	TRIP RELAY
LH95	TRIP RELAY
LH96	TRIP RELAY
LH97	TRIP RELAY
LH98	TRIP RELAY
LH99	TRIP RELAY
LH100	TRIP RELAY

▲ LABELLED FIRST CONNECT IF NO OTHERS USED.

▲ 60 (LOW) BLACK (HIGH)		▲ 60 (LOW) BLACK (HIGH)	
FACTORY SR.	FIELD	OPTIONAL	FIELD
1	2	3	4
5	6	7	8
9	10	11	12
13	14	15	16
17	18	19	20
21	22	23	24
25	26	27	28
29	30	31	32
33	34	35	36
37	38	39	40
41	42	43	44
45	46	47	48
49	50	51	52
53	54	55	56
57	58	59	60

HAARD INC. CO.
 INC. 405-313
 DIV. 10
 CH. 1000

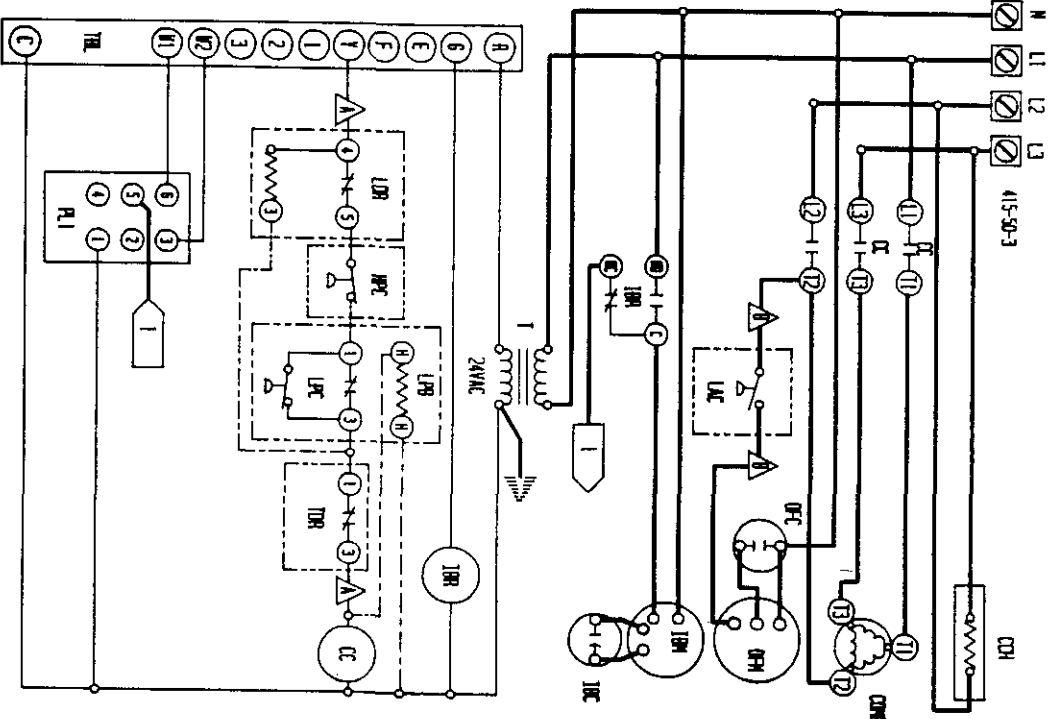
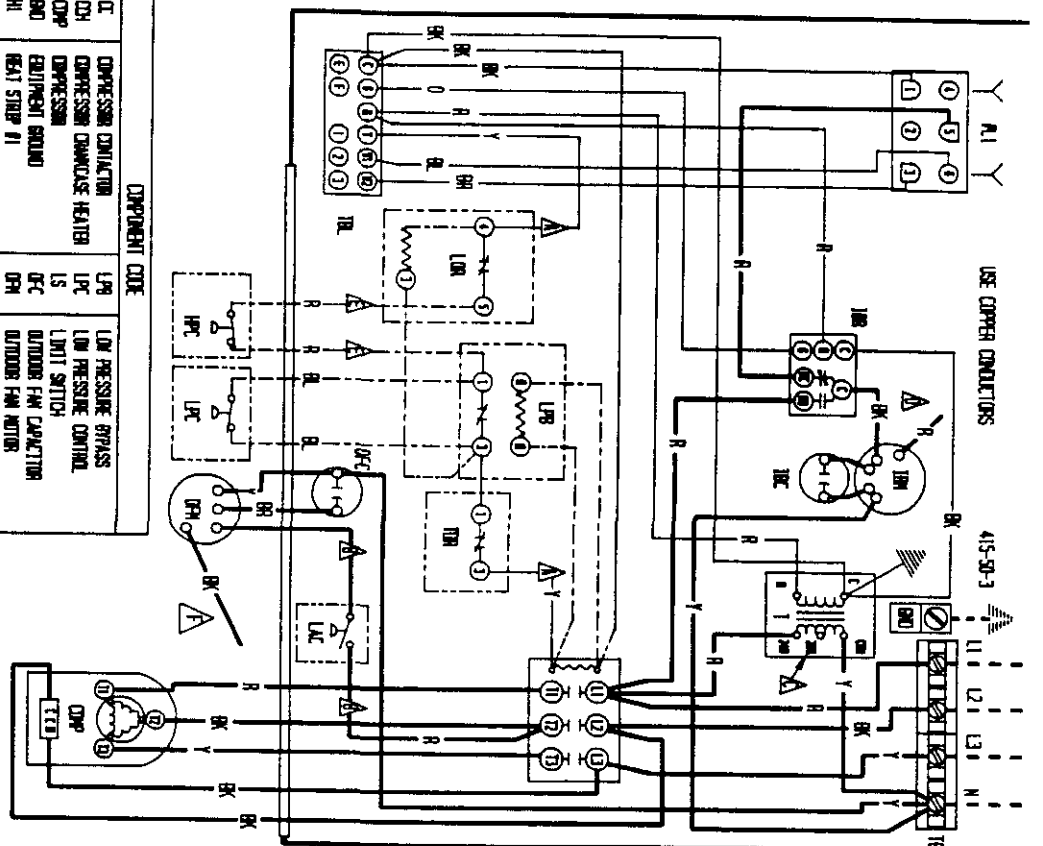


CIRCUIT BREAKER #1		IR	INDUCER BLOWER CAPACITOR
CIRCUIT BREAKER #2		IRN	INDUCER BLOWER MOTOR
COMPRESSOR CONTACTOR		LAC	INDUCER BLOWER RELAY
COMPRESSOR		LUR	INDUCER BLOWER RELAY
CONTROL RELAY 1		LS	LOW AMPERENT CONTROL
CONTROL RELAY 2		DRN	LOCKOUT RELAY
DUAL LOW CAPACITOR		SV	LIMIT SWITCH
EQUIPMENT GROUND		F1	OUTDOOR FAN MOTOR
HEAT STRIP #1		SV	PLUS #1
HEAT STRIP #2		SV	SOLENOID VALVE
HEATER CONTACTOR #1		TR	TRANSFORMER
HEATER CONTACTOR #2		TR	TERMINAL BLOCK
HIGH PRESSURE CONTROL		TR	LOW VOLTAGE TERMINAL BLOCK
		TR	THERMAL CUTOFF
		TR	TIME DELAY RELAY

Labeled wires connect if no options used.		Factory Std.		Field		Optional	
High Voltage	---	Black	---	Green	---	Yellow	---
Low Voltage	---	Green	---	Green	---	Green	---
Accessories	---	Red	---	Blue	---	Blue	---
	---	Orange	---	White	---	White	---

FOR LOW SPEED CONNECT BLACK AND ORANGE WIRES TOGETHER AND ISOLATE.		CONNECT RED WIRE TO TERMINAL 1 OF TR	
Black	---	Violet	---
Brown	---	Purple	---
Red	---	Pink	---
Orange	---	Light Blue	---
	---	Grey	---
	---	Slate	---

BARD MFG. CO.	
Model	4085-315 A
Color	---
Options	---



COMPONENT CODE	COMPONENT CODE	COMPONENT CODE	
CC	COMPRESSION CONTACTOR	LFB	LOW PRESSURE BYPASS
CH	COMPRESSION CONTACTOR HEATER	LFC	LOW PRESSURE CONTROL
CHP	COMPRESSION CONTACTOR HEATER	LS	LIMIT SWITCH
BO	COMPRESSOR	OC	OUTDOOR FAN CAPACITOR
HI	EQUIPMENT GROUND	OFN	OUTDOOR FAN MOTOR
HI1	HEAT STRIP #1	OFM	OUTDOOR FAN RELAY
HI2	HEAT STRIP #2	OD	OUTLET DISCONNECT
HC1	HEATER CONTACTOR #1	RA1	RAUS #1
HC2	HEATER CONTACTOR #2	RA2	RAUS #2
HPC	HIGH PRESSURE CONTROL	TR	TRANSFORMER
HNC	HIGH PRESSURE CONTROL	TRB	TERMINAL BLOCK
IM	INDOOR BLOWER CAPACITOR	TRC	LOW VOLTAGE TERMINAL BLOCK
IMM	INDOOR BLOWER MOTOR	TRD	HEATING OFFSET
IMR	INDOOR BLOWER RELAY	TRF	THE RELAY RELAY
LAC	LOW AMPLIFIER CONTROL		
LBR	LOCK OUT RELAY		

▲▲ LABELLED WIRES CONNECT IF NO OPTIONS USED

▲ NOTE RED WIRE TO 200V TAP FOR 300V OPERATION

▲ (BLACK) HIGH SPEED TAP NOT TO BE USED ON SIZES 100'S

FACTORY NO.	FRID	OPTION
_____	_____	_____
_____	_____	_____
_____	_____	_____

BLACK	RED	GREEN	YELLOW	VIOLET	(R)	P	W
_____	_____	_____	_____	_____	_____	_____	_____
_____	_____	_____	_____	_____	_____	_____	_____
_____	_____	_____	_____	_____	_____	_____	_____

BLACK	RED	GREEN	YELLOW	VIOLET	(R)	P	W
_____	_____	_____	_____	_____	_____	_____	_____
_____	_____	_____	_____	_____	_____	_____	_____
_____	_____	_____	_____	_____	_____	_____	_____

BARBO MFC. CO.

DATE: 405-512

REV: _____

CHK: _____