

INSTALLATION INSTRUCTIONS

WALL MOUNTED PACKAGE HEAT PUMPS

MODELS

WH421

WH482

WH602

MANUAL: 2100-219 REV. I
SUPERSEDES: REV. H
FILE: Vol. III, Tab 17
DATE: 05-15-96

SECTION 1 --GETTING OTHER INFORMATION AND PUBLICATIONS

These publications can help you install the air conditioner or heat pump. You can usually find these at your local library or purchase them directly from the publisher. Be sure to consult current edition of each standard.

National Electrical Code	-ANSI/NFPA 70
Standard For The Installation Of Air Conditioning and Ventilating Systems	-ANSI/NFPA 90A
Standard For Warm Air Heating and Air Conditioning Systems	-ANSI/NFPA 90B
Load Calculation For Residential Winter and Summer Air Conditioning	-ACCA Manual J
Duct Design For Residential Winter and Summer Air Conditioning and Equipment Selection	-ACCA Manual D

FOR MORE INFORMATION, CONTACT THESE PUBLISHERS

- ACCA:** AIR CONDITIONING CONTRACTORS OF AMERICA
1513 16th Street NW
Washington, DC 20036
Telephone: (202) 483-9370 Fax: (202) 234-4721
- ANSI:** AMERICAN NATIONAL STANDARDS INSTITUTE
11 West Street, 13th Floor
New York, NY 10036
Telephone: (212) 642-4900 Fax: (212) 302-1286
- ASHRAE:** AMERICAN SOCIETY OF HEATING REFRIGERATING AND
AIR CONDITIONING ENGINEERS, INCORPORATED
1791 Tullie Circle, N.E.
Atlanta, GA 30329-2305
Telephone: (404) 636-8400 Fax: (404) 321-5478
- NFPA:** NATIONAL FIRE PROTECTION ASSOCIATION
Batterymarch Park
P. O. Box 9101
Quincy, MA 02269-9901
Telephone: (800) 344-3555 Fax: (617) 984-7057

Manufactured under the following U.S. patent numbers:
5,301,744; 5,002,116; 4,924,934; 4,875,520; 4,825,936; 4,432,409.
Other patents pending.

COPYRIGHT MAY, 1996
BARD MANUFACTURING COMPANY
BRYAN, OH 43506 USA

TABLE OF CONTENTS

PART 1 -- WALL MOUNT--GENERAL INSTALLATION INFORMATION

Heat Pump Wall Mount Model Nomenclature	1
Shipping Damage	1
General	4
Duct Work	4
Filters	5
Fresh Air Intake	5
Condensate Drain	5

PART 2 -- INSTALLATION INSTRUCTIONS

Wall Mounting Information	6
Mounting The Unit	6

WIRING

Wiring--Main Power	11
Wiring: Low Voltage Wiring	11

THERMOSTAT WIRING

Compressor Cut-Off Thermostat and Outdoor Thermostats	12
Compressor Cut-Off and Outdoor Thermostat Wiring	12
Heat Anticipation	13
Thermostat Indicator Lamps	13
Emergency Heat Position	13
Compressor Malfunction Light	13

PART 3 -- START-UP

Important Installer Note	14
Crankcase Heaters	14
High Pressure Switch	14
Three Phase Scroll Compressor Start Up Information	14
Service Hints	15
Sequence of Operation	15
Pressure Service Ports	15
Defrost Cycle	15

PART 4 -- TROUBLESHOOTING

Solid State Heat Pump Control Troubleshooting Procedure	17
Checking Temperature Sensor Outside Unit Circuit	18
Fan Blade Setting Dimensions	19
Removal of The Fan Shroud	19
Refrigerant Charge	20
Pressure Tables	21
Optional Accessories	22

FIGURES AND TABLES

Figure 1	Unit Dimensions	2
Figure 2	Fresh Air Damper Assembly	5
Figure 3	Mounting Instructions	7
Figure 3A	Electric Heat Clearance	8
Figure 4	Wall-Mounting Instructions	9
Figure 5	Wall-Mounting Instructions	9
Figure 6	Common Wall-Mounting Installations	10
Figure 7	Unit 24V Terminal Board	11
Figure 8	Compressor Cut-Off--5 and 10KW	12
Figure 9	Compressor Cut-Off--15KW	12
Figure 10	Start-Up	14
Figure 11	Defrost Control Board	16
Figure 12	Fan Blade Setting	19

Table 1	Electric Heat Table	1
Table 2	Electrical Specifications	3
Table 3	Thermostat Wire Sizes	12
Table 4	Wall Thermostat and Subbase Combinations	13
Table 5	Troubleshooting	17
Table 6	Fan Blade Settings.	19
Table 7	Refrigerant Charge	20
Table 8	Indoor Blower Performance	20
Table 9	Recommended Operating Ranges.	20
Table 10	Maximum ESP of Operation	20
Table 11	Cooling--Pressure (PSI)	21
Table 12	Heating--Pressures (PSI)	21
Table 13	Optional Accessories	22

PART 1 -- WALL MOUNT GENERAL INFORMATION

HEAT PUMP WALL MOUNT MODEL NOMENCLATURE

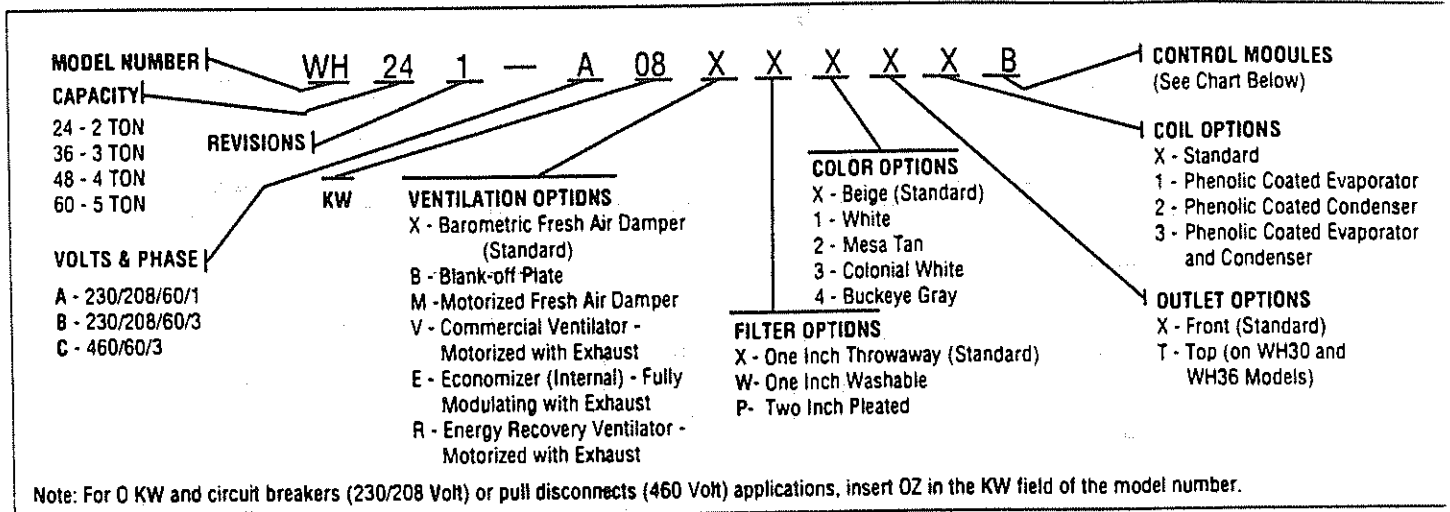


TABLE 1 ELECTRIC HEAT TABLE

Models	WH421-A		WH421-B				WH421-C		WH482-A WH602-A		WH482-B WH602-B		WH482-C WH602-C								
	240-1		208-1		240-3		208-3		460-3		240-1		208-1		240-3		208-3		460-3		
	KW	A	BTU	A	BTU	A	BTU	A	BTU	A	BTU	A	BTU	A	BTU	A	BTU	A	BTU	A	BTU
5	20.8	17065	18.1	12800							20.8	17065	18.1	12800							
6								7.2	20480												
9					21.7	30600	18.7	23030	10.8	30700					21.7	30600	18.7	23030	10.8	30700	
10	41.6	34130	36.2	25600							41.6	34130	36.2	25600							
15	62.5	51200	54.1	38400	36.2	51200	31.2	38400	18.0	51200	62.5	51200	54.1	38400	36.2	51200	31.2	38400	18.0	51200	
18															43.3	61400	37.5	46050			
20											83.2	68250	72.1	51200							

SHIPPING DAMAGE

Upon receipt of equipment, the carton should be checked for external signs of shipping damage. If damage is found, the receiving party must contact the last carrier immediately, preferably in writing, requesting inspection by the carrier's agent.

TABLE 2

ELECTRICAL SPECIFICATIONS

Model	Rated Volts and Phase	No. Field Power Ckts.	SINGLE CIRCUIT				DUAL CIRCUIT							
			(4) Minimum Circuit Ampacity	(1) Maximum External Fuse Or Circuit Breaker	(2) Field Power Wire Size	(2) Ground Wire Size	(4) Minimum Circuit Ampacity		(1) Maximum External Fuse Or Ckt. Breaker		(2) Field Power Wire Size		(2) Ground Wire Size	
							Ckt A	Ckt B	Ckt A	Ckt B	Ckt A	Ckt B	Ckt A	Ckt B
WH421-A00, A0Z	230/208-1	1	34	50	8	10	N/A	N/A	N/A	N/A	N/A	N/A	N/A	N/A
A05		1 or 2	60	70	6	8	34	26	50	30	8	10	10	10
(3) A10		1 or 2	86	90	3	8	34	52	50	60	8	6	10	10
A15		1 or 2	86	90	3	8	34	52	50	60	8	6	10	10
WH421-B00, B0Z	230/208-3	1	26	35	8	10	N/A	N/A	N/A	N/A	N/A	N/A	N/A	N/A
(3) B09		1	53	60	6	10	N/A	N/A	N/A	N/A	N/A	N/A	N/A	N/A
B15		1	53	60	6	10	N/A	N/A	N/A	N/A	N/A	N/A	N/A	N/A
WH421-C00, C0Z	460-3	1	13	20	12	12	N/A	N/A	N/A	N/A	N/A	N/A	N/A	N/A
C06		1	23	25	10	10	N/A	N/A	N/A	N/A	N/A	N/A	N/A	N/A
(3) C09		1	27	30	10	10	N/A	N/A	N/A	N/A	N/A	N/A	N/A	N/A
C15		1	27	30	10	10	N/A	N/A	N/A	N/A	N/A	N/A	N/A	N/A
WH482-A00, A0Z	230/208-1	1	38	50	8	10	N/A	N/A	N/A	N/A	N/A	N/A	N/A	N/A
A05		1 or 2	64	80	6	8	38	26	60	30	8	10	10	10
(3) A10		1 or 2	90	100	3	8	38	52	60	60	8	6	10	10
A15		1 or 2	90	100	3	8	38	52	60	60	8	6	10	10
A20	1 or 2	110	110	2	6	59	52	60	60	6	6	10	10	
WH482-B00, B0Z	230/208-3	1	27	35	8	10	N/A	N/A	N/A	N/A	N/A	N/A	N/A	N/A
(3) B09		1	54	60	6	10	N/A	N/A	N/A	N/A	N/A	N/A	N/A	N/A
B15		1	54	60	6	10	N/A	N/A	N/A	N/A	N/A	N/A	N/A	N/A
B18		1	60	60	6	10	N/A	N/A	N/A	N/A	N/A	N/A	N/A	N/A
WH482-C00, C0Z	460-3	1	15	20	12	12	N/A	N/A	N/A	N/A	N/A	N/A	N/A	N/A
(3) C09		1	28	30	10	10	N/A	N/A	N/A	N/A	N/A	N/A	N/A	N/A
C15		1	28	30	8	10	N/A	N/A	N/A	N/A	N/A	N/A	N/A	N/A
WH602-A00, A0Z	230/208-1	1	45	60	8	10	N/A	N/A	N/A	N/A	N/A	N/A	N/A	N/A
A05		1 or 2	71	90	4	8	45	26	60	60	8	10	10	10
(3) A10		1 or 2	97	110	3	6	45	52	60	60	8	6	10	10
A15		1 or 2	97	110	3	6	45	52	60	60	8	6	10	10
A20	1 or 2	110	110	2	6	59	52	60	60	6	6	10	10	
WH602-B00, B0Z	230/208-3	1	33	45	8	10	N/A	N/A	N/A	N/A	N/A	N/A	N/A	N/A
(3) B09		1	60	60	6	10	N/A	N/A	N/A	N/A	N/A	N/A	N/A	N/A
B15		1	60	60	6	10	N/A	N/A	N/A	N/A	N/A	N/A	N/A	N/A
B18		1	60	60	6	10	N/A	N/A	N/A	N/A	N/A	N/A	N/A	N/A
WH602-C00, C0Z	460-3	1	16	20	12	12	N/A	N/A	N/A	N/A	N/A	N/A	N/A	N/A
(3) C09		1	29	35	8	10	N/A	N/A	N/A	N/A	N/A	N/A	N/A	N/A
C15		1	29	35	8	10	N/A	N/A	N/A	N/A	N/A	N/A	N/A	N/A

(1) Maximum size of the time delay fuse or HACR type circuit breaker for protection of field wiring conductors.

(2) Based on 75°C copper wire. All wiring must conform to NEC and all local codes.

(3) Maximum KW that can operate with heat pump on.

(4) These "Minimum Circuit Ampacity" values are to be used for sizing the field power conductors. Refer to the National Electric Code (latest revision), article 310 for power conductor sizing. Caution: When more than one field power conductor circuit is run thru one conduit, the conductors must be derated. Pay special attention to note 8 of table 310 regarding Ampacity Adjustment Factors when more than 3 conductors are in a raceway.

GENERAL

The equipment covered in this manual is to be installed by trained, experienced service and installation technicians.

The refrigerant system is completely assembled and charged. All internal wiring is complete.

The unit is designed for use with or without duct work. Flanges are provided for attaching the supply and return ducts.

These instructions explain the recommended method to install the air cooled self-contained unit and the electrical wiring connections to the unit.

These instructions and any instructions packaged with any separate equipment required to make up the entire air conditioning system should be carefully read before beginning the installation. Note particularly "Starting Procedure" and any tags and/or labels attached to the equipment.

While these instructions are intended as a general recommended guide, they do not supersede any national and/or local codes in any way. Authorities having jurisdiction should be consulted before the installation is made. See Page 1 for information on codes and standards.

Size of unit for a proposed installation should be based on heat loss calculation made according to methods of Air Conditioning Contractors of America (ACCA). The air duct should be installed in accordance with the Standards of the National Fire Protection Association for the Installation of Air Conditioning and Ventilating Systems of Other Than Residence Type, NFPA No. 90A, and Residence Type Warm Air Heating and Air Conditioning Systems, NFPA No. 90B. Where local regulations are at a variance with instructions, installer should adhere to local codes.

DUCT WORK

Any heat pump is more critical of proper operating charge and an adequate duct system than a straight air conditioning unit. All duct work, supply and return, must be properly sized for the design air flow requirement of the equipment. Air Conditioning Contractors of America (ACCA) is an excellent guide to proper sizing. All duct work or portions thereof not in the conditioned space should be properly insulated in order to both conserve energy and prevent condensation or moisture damage.

Refer to Table 10 for maximum static pressure available for duct design.

Design the duct work according to methods given by the Air Conditioning Contractors of America (ACCA). When duct runs through unheated spaces, it should be insulated with a minimum of one inch of insulation. Use insulation with a vapor barrier on the outside of the insulation. Flexible joints should be used to connect the duct work to the equipment in order to keep the noise transmission to a minimum.

A 1/4-inch clearance to combustible material for the first three feet of duct attached to the outlet air frame is required. See Wall Mounting Instructions and Figures 3 and 3A for further details.

Ducts through the walls must be insulated and all joints taped or sealed to prevent air or moisture entering the wall cavity.

CAUTION: Some installations may not require any return air duct. A metallic return air grille is required with installations not requiring a return air duct. The spacing between louvers on the grille shall not be larger than 5/8 inches. **NOTE :** If no return air duct is used, applicable installation codes may limit this cabinet to installation only in a single story structure.

Any grille that meets the 5/8 inch louver criteria, may be used. It is recommended that Bard Return Air Grille Kit RG2 thru RG5 or REG2 thru REG5 be installed when no return duct is used. Contact distributor or factory for ordering information. If using a return air filter grille, filters must be of sufficient size to allow a maximum velocity of 400 fpm.

FILTERS

A 1-inch throwaway filter is supplied with each unit. The filter slides into position making it easy to service. This filter can be serviced from the outside by removing the service door. A 1-inch washable filter and 2-inch pleated filter are also available as optional accessories. The internal filter brackets are adjustable to accommodate the 2-inch filter by loosening 2 screws in each bracket assembly and sliding the brackets apart to the required width and retightening the 4 screws.

FRESH AIR INTAKE

All units are built with fresh air inlet slots punched in the service panel.

If the unit is equipped with a fresh air damper assembly, the assembly is shipped already attached to the unit. The damper blade is locked in the closed position. To allow the damper to operate, the maximum and minimum blade position stops must be installed. See Figure 2.

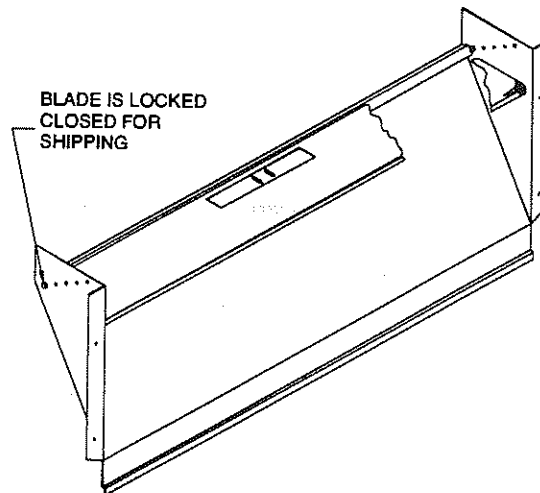
All capacity, efficiency and cost of operation information as required for Department of Energy "Energyguide" Fact Sheets is based upon the fresh air blank-off plate in place and is recommended for maximum energy efficiency.

The blank-off plate is available upon request from the factory and is installed in place of the fresh air damper shipped with each unit.

CONDENSATE DRAIN

A plastic drain hose extends from the drain pan at the top of the unit down to the unit base. There are openings in the unit base for the drain hose to pass through. In the event the drain hose is connected to a drain system of some type, it must be an open or vented type system to assure proper drainage.

Figure 2



PART 2 -- INSTALLATION INSTRUCTIONS

WALL MOUNTING INFORMATION

1. Two holes, for the supply and return air openings, must be cut through the wall as shown in Figure 3.
2. On wood-frame walls, the wall construction must be strong and rigid enough to carry the weight of the unit without transmitting any unit vibration. **WARNING:** Fire hazard can result if 1/4-inch clearance to combustible materials for supply air duct is not maintained. See Figure 3.
3. Concrete block walls must be thoroughly inspected to insure that they are capable of carrying the weight of the installing unit.

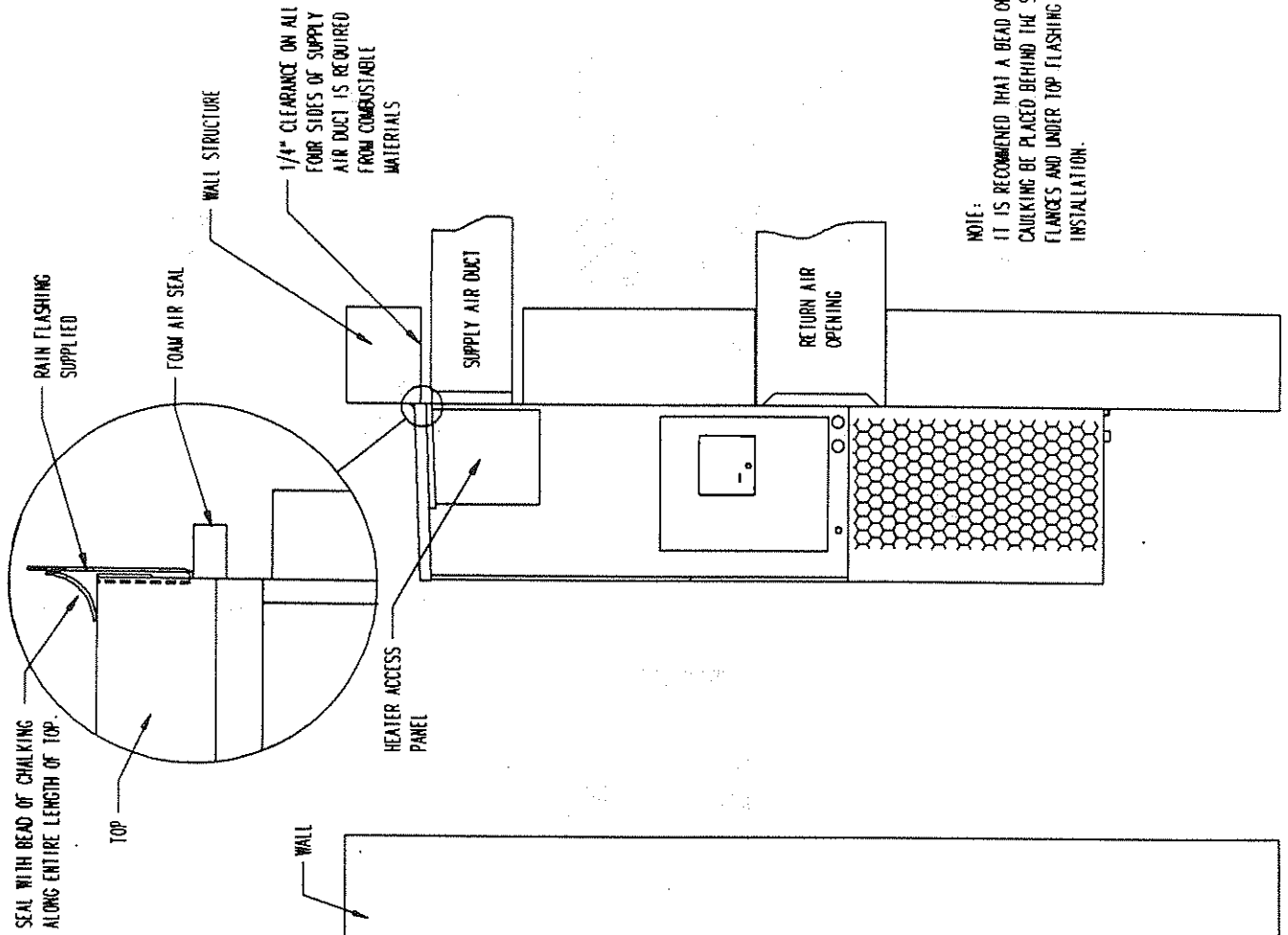
MOUNTING THE UNIT

1. These units are secured by wall mounting brackets which secure the unit to the outside wall surface at both sides. A bottom mounting bracket is provided for ease of installation, but is not required.
2. The unit itself is suitable for 0-inch clearance, but the supply air duct flange and the first 3 feet of supply air duct require a minimum of 1/4-inch clearance to combustible material. If a combustible wall, use a minimum of 30-1/2" x 10-1/2" dimensions for sizing. However, it is generally recommended that a 1-inch clearance is used for ease of installation and maintaining the required clearance to combustible material. The supply air opening would then be 32" x 12". See Figures 3 and 3A for details.

WARNING: Failure to provide the 1/4-inch clearance between the supply duct and a combustible surface for the first 3 feet of duct can result in fire.

3. Locate and mark lag bolt locations and bottom mounting bracket location. See Figure 3.
4. Mount bottom mounting bracket.
5. Hook top rain flashing under back bend of top. Top rain flashing is shipped with unit, attached to back of unit on the right side.
6. Position unit in opening and secure with 5/16 lag bolts; use 3/4-inch diameter flat washers on the lag bolts.
7. Secure rain flashing to wall and caulk across entire length of top. See Figure 3.
8. For additional mounting rigidity, the return air and supply air frames or collars can be drilled and screwed or welded to the structural wall itself (depending upon wall construction). Be sure to observe required clearance if combustible wall.
9. On side by side installations, maintain a minimum of 20-inches clearance on right side to allow access to control panel and heat strips and allow proper airflow to the outdoor coil. Additional clearance may be required to meet local or national codes.

FIGURE 3
MOUNTING INSTRUCTIONS



NOTE:
IT IS RECOMMENDED THAT A BEAD OF SILICONE CAULKING BE PLACED BEHIND THE SIDE MOUNTING FLANGES AND UNDER TOP FLASHING AT TIME OF INSTALLATION.

	A	B	C	D	E
REQUIRED DIMENSIONS TO MAINTAIN 1/4" MIN. CLEARANCE FROM COMBUSTIBLE MATERIALS	30 1/2	10 1/2	6 1/4	1 5/16	29 1/2
REQUIRED DIMENSIONS TO MAINTAIN RECOMMENDED 1" CLEARANCE FROM COMBUSTIBLE MATERIALS	32	12	5 1/2	9/16	28

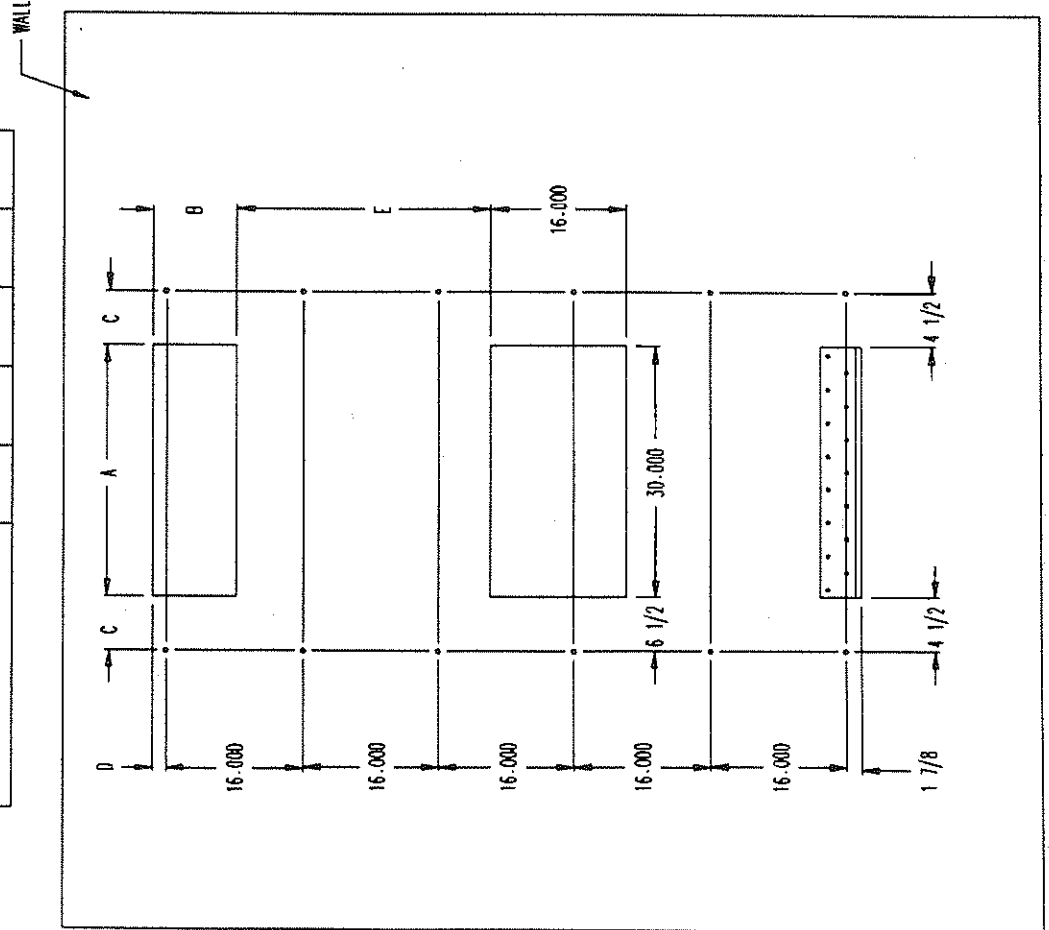
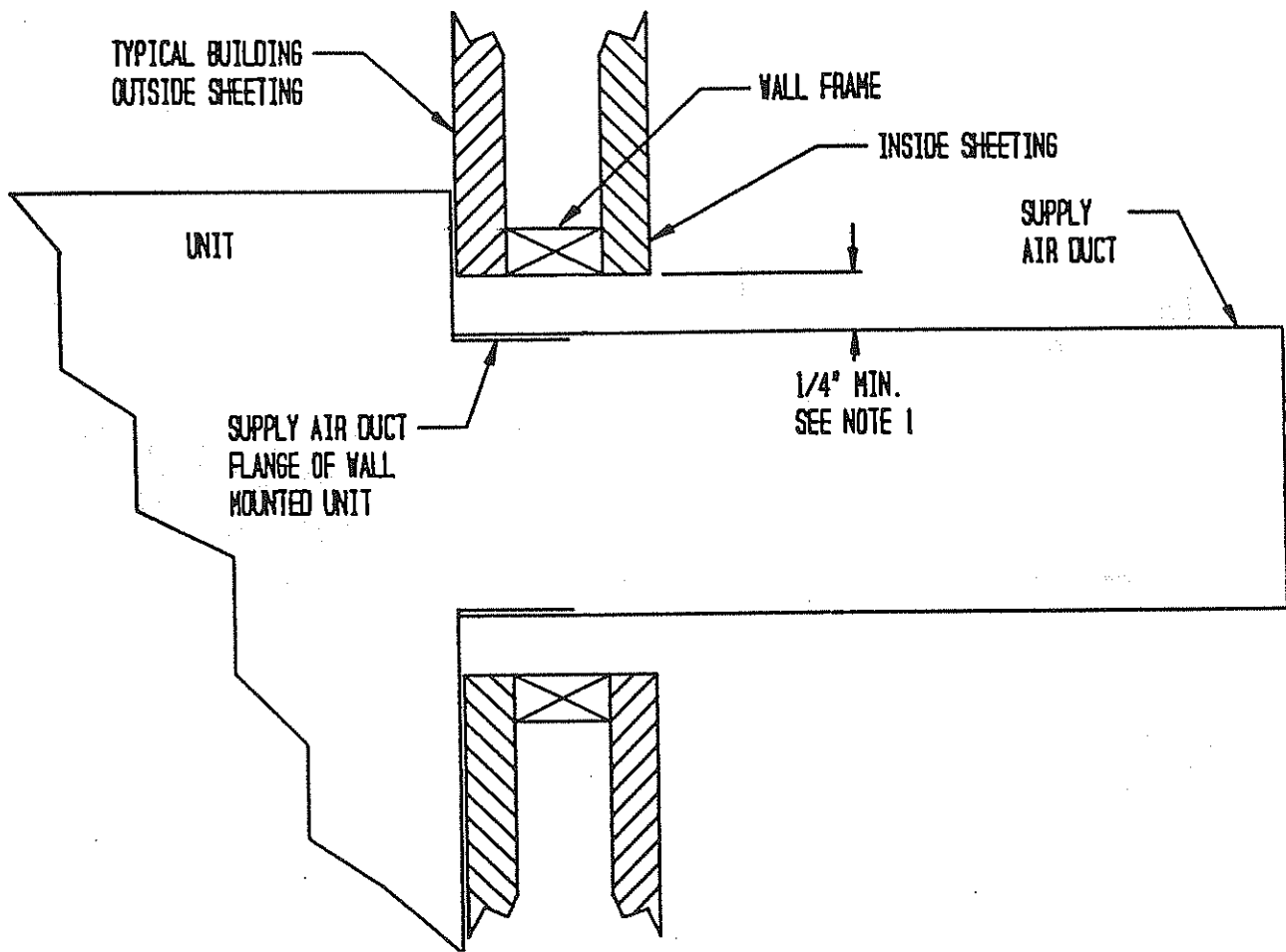


FIGURE 3A
ELECTRIC HEAT CLEARANCE

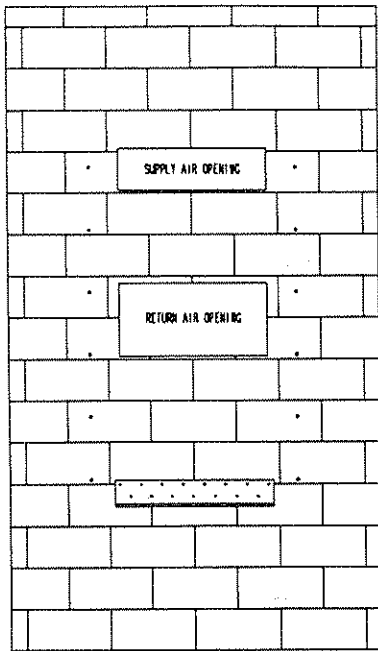


Side section view of supply air duct for wall mounted unit showing 1/4-inch clearance to combustible surfaces.

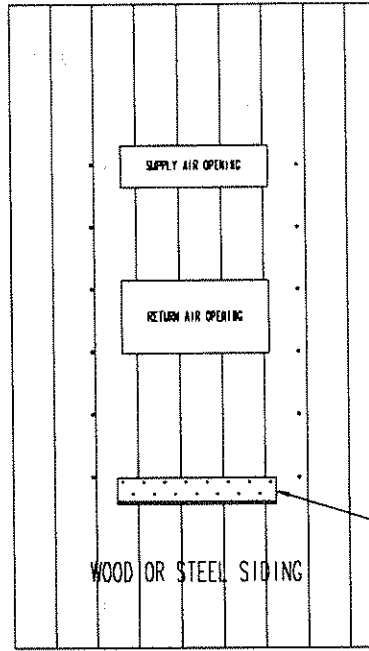
NOTE 1:

WARNING
A <u>minimum</u> of 1/4-inch clearance must be maintained between the supply air duct and combustible materials. This is required for the first 3 feet of ducting.
It is important to insure that the 1/4-inch minimum spacing is maintained at all points.
Failure to do this could result in overheating the combustible material and may result in a fire.

SEE FIGURE 3 - MOUNTING INSTRUCTIONS



CONCRETE BLOCK WALL INSTALLATION



WOOD FRAME WALL INSTALLATION

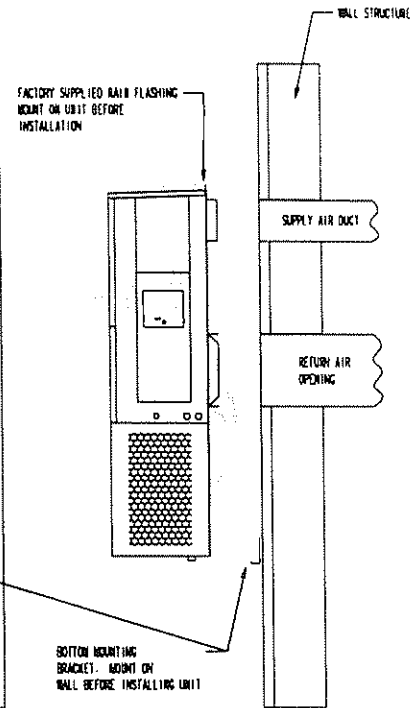


Figure 4 – Wall-Mounting Instructions

SEE UNIT DIMENSIONS, FIGURE 1, FOR ACTUAL DIMENSIONS

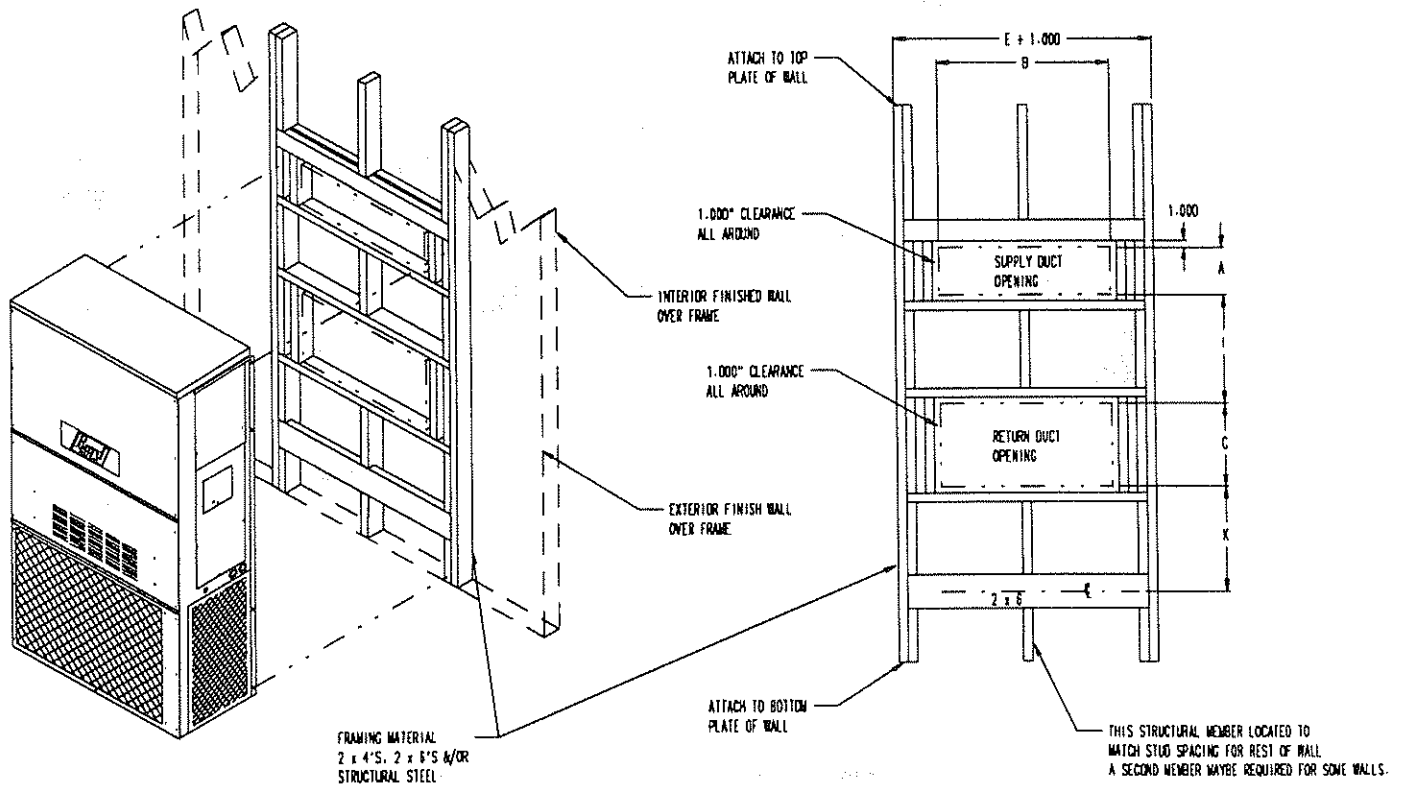
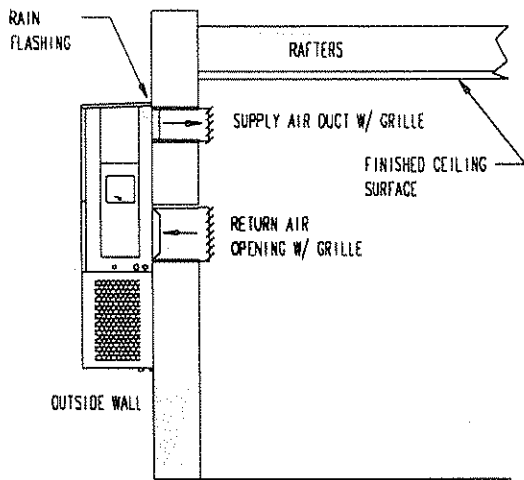
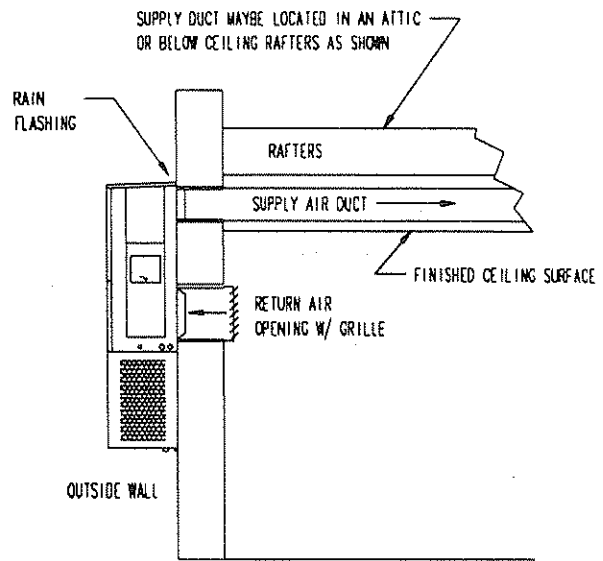


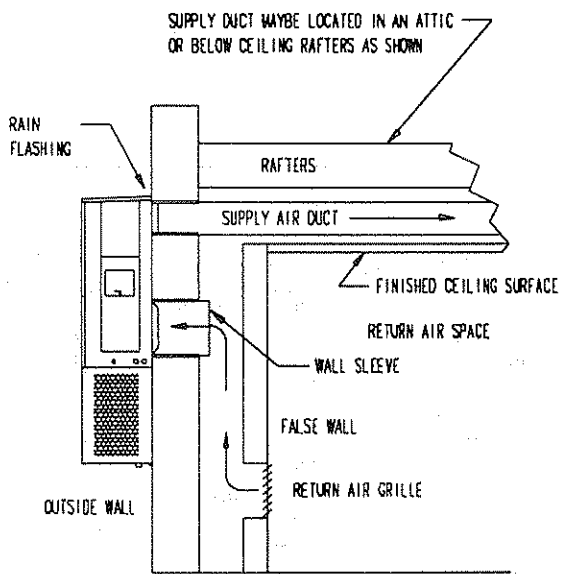
Figure 5 – Wall-Mounting Instructions



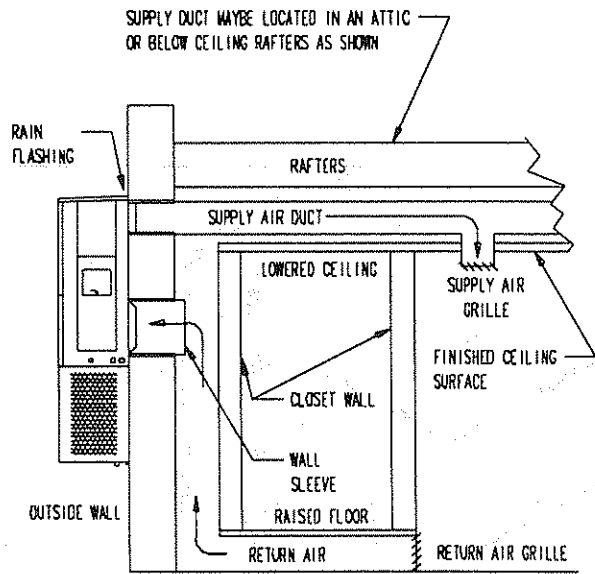
FREE AIR FLOW
NO DUCT



DUCTED SUPPLY
RETURN AT UNIT



FALSE WALL INSTALLATION



CLOSET INSTALLATION

Figure 6 — Common Wall-Mounting Installations

WIRING--MAIN POWER

Refer to the unit rating plate for wire sizing information and maximum fuse or "HACR Type" circuit breaker size. Each outdoor unit is marked with a "Minimum Circuit Ampacity". This means that the field wiring used must be sized to carry that amount of current. Depending on the installed KW of electric heat, there may be two field power circuits required. If this is the case, the unit serial plate will so indicate. All models are suitable only for connection with copper wire. Each unit and/or wiring diagram will be marked "Use Copper Conductors Only". These instructions MUST BE adhered to. Refer to the National Electrical Code (NEC) for complete current carrying capacity data on the various insulation grades of wiring material. All wiring must conform to NEC and all local codes.

The electrical data lists fuse and wire sizes (75°C copper) for all models, including the most commonly used heater sizes. Also shown are the number of field power circuits required for the various models with heaters.

The unit rating plate lists a "Maximum Time Delay Relay Fuse" or "HACR Type" circuit breaker that is to be used with the equipment. The correct size must be used for proper circuit protection and also to assure that there will be no nuisance tripping due to the momentary high starting current of the compressor motor.

The disconnect access door on this unit may be locked to prevent unauthorized access to the disconnect. To convert for the locking capability, bend the tab located in the bottom left hand corner of the disconnect opening under the disconnect access panel straight out. This tab will now line up with the slot in the door. When shut, a padlock may be placed through the hole in the tab preventing entry.

See startup section for important information on three phase scroll compressor start ups.

WIRING: LOW VOLTAGE WIRING

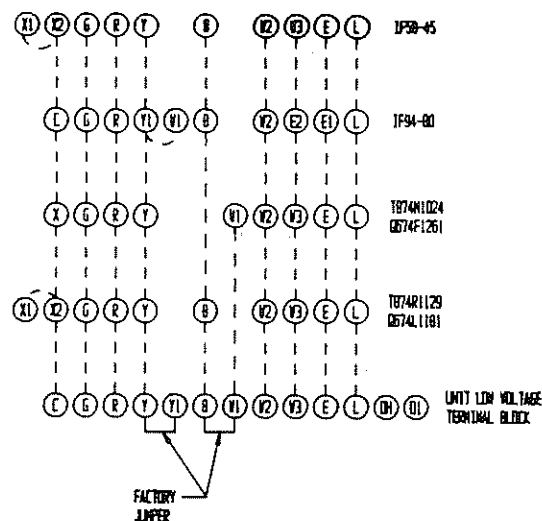
230/208V, 1 phase and 3 phase equipment dual primary voltage transformers. All equipment leaves the factory wired on 240V tap. For 208V operation, reconnect from 240V to 208V tap. The acceptable operating voltage range for the 240 and 208V taps are:

TAP	RANGE
240	253 - 216
208	220 - 187

NOTE: The voltage should be measured at the field power connection point in the unit and while the unit is operating at full load (maximum amperage operating condition).

Nine (9) wires should be run from thermostat subbase to the 24V terminal board in the unit. A nine conductor, 18 gauge copper, color-coded thermostat cable is recommended. The connection points are shown below:

FIGURE 7
UNIT 24V TERMINAL BOARD



IMPORTANT NOTE: Only the thermostat and subbase combinations as shown above will work with this equipment. The thermostat and subbase MUST be matched, and the correct operation can be assured only by proper selection and application of these parts.

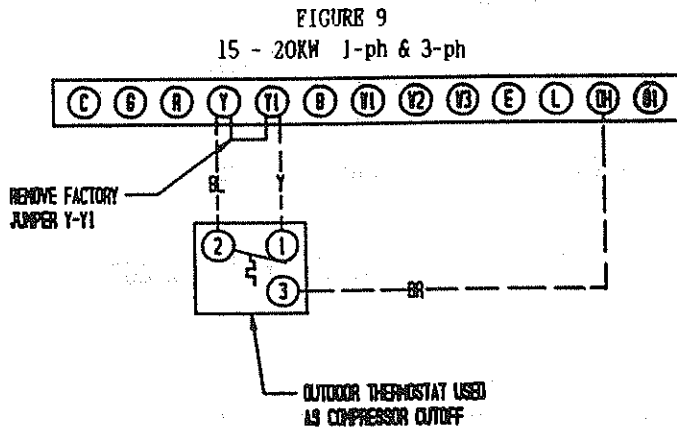
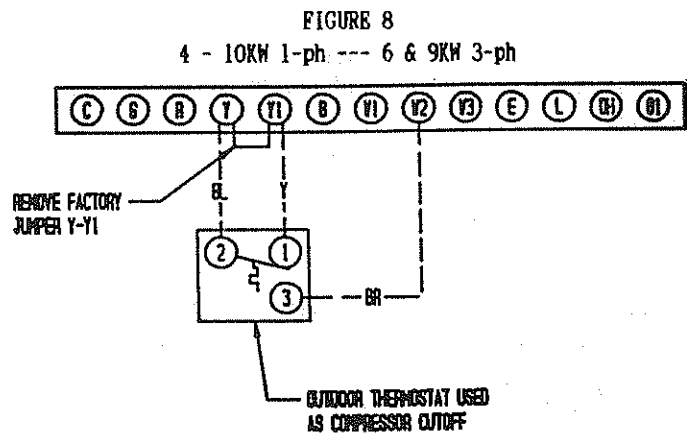
Transformer VA	FLA	Wire Gauge	Maximum Distance In Feet
55	2.3	20 Gauge	45
		18 "	60
		16 "	100
		14 "	160
		12 "	250

COMPRESSOR CUT-OFF THERMOSTAT AND OUTDOOR THERMOSTATS

Heat pump compressor operation at outdoor temperatures below 0°F are neither desirable nor advantageous in terms of efficiency. Since most equipment at time of manufacture is not designated for any specific destination of the country and most of the equipment is installed in areas not approaching the lower outdoor temperature range, the compressor cut-offs are not factory installed.

Outdoor thermostats are available to hold off various banks of electric heat until needed as determined by outdoor temperature. The set point of either type of thermostat is variable with geographic region and sizing of the heating equipment to the structure. Utilization of the Heating Application Data and the heat loss calculation of the building are useful in determining the correct set points.

COMPRESSOR CUT-OFF AND OUTDOOR THERMOSTAT WIRING



HEAT ANTICIPATION

Both of the thermostats shown below have a fixed heat anticipator for stage 1 with no adjustment required. Stage 2 has an adjustable anticipator for the W2 connection and fixed for the W3 connection. Both the W2 and W3 circuits are controlled by the stage 2 hub. The only heat anticipator that needs to be checked is stage 2 and it should be set to match the load carried by the W2 circuit. The normal factory wiring provides for only one electric heat contactor to be controlled by W2, and the anticipator should be set at .40A. If special field wiring is done, it is best to actually measure the load but a good rule is .40A for EACH heat contactor controlled by W2.

TABLE 4

WALL THERMOSTAT AND SUBBASE COMBINATIONS			
Group	Thermostat	Subbase	Predominant Features
A	8403-017 (T874R1129)	8404-009 (Q674L1181)	Heat or Cool (1) No Auto
B	8403-018 (T874N1024)	8404-010 (Q674F1261)	Automatic Heat-Cool (2) Changeover Position
	8403-034 (1F94-80)	----	Programmable Electronic
	8403-024 (1f58-45)	----	Programmable Electronic

- (1) No automatic changeover position--must manually place in heat or cool. Reversing valve remains energized at all times system switch is in heat position (except during defrost cycle). No pressure equalization noise when thermostat is satisfied on either heating or cooling.
- (2) Allows thermostat to control both heating and cooling operation when set in "Auto" position. Reversing valve de-energizes at end of each "On" heating cycle.

IMPORTANT NOTE: Both thermostat and subbase combinations shown above incorporate the following features: Man-Auto fan switch, Off-Heat-Cool-Em. Heat Switch, and two (2) indicator lamps--one for emergency heat and one for compressor malfunction.

THERMOSTAT INDICATOR LAMPS

The red lamp marked "Em.Ht." comes on and stays on whenever the system switch is placed in the emergency heat position. The green lamp marked "check" will come on if there is any problem that prevents the compressor from running when it is supposed to be.

EMERGENCY HEAT POSITION

The operator of the equipment must manually place the system switch in this position. This is done when there is a known problem with the unit, or when the green "check" lamp comes on indicating a problem.

COMPRESSOR MALFUNCTION LIGHT

Actuation of the green "check" lamp is accomplished by a relay output from the heat pump control board which is factory installed. Any condition such as loss of charge, high head pressure, etc., that will prevent compressor from operating will cause green lamp to activate. This is a signal to the operator of the equipment to place system in emergency heat position.

PART 3 -- START-UP

IMPORTANT INSTALLER NOTE

For improved start-up performance, wash the indoor coil with a dishwasher detergent.

CRANKCASE HEATERS

WH421 units are provided with compressor crankcase heat. WH602 and WH482 units are not provided with crankcase heat. These units utilize scroll compressors which do not require crankcase in this application.

The WH421 models have an insertion well-type heater located in the lower section of the compressor housing. This is a self-regulating type heater that draws only enough power to maintain the compressor at a safe temperature on these units.

Some form of crankcase heat is essential to prevent liquid refrigerant from migrating to the compressor, causing oil pump out on compressor start-up and possible valve failure due to compressing a liquid.

The decal in Figure 10 is affixed to all WH421 units detailing start-up procedure. This is very important. Please read carefully.

HIGH PRESSURE SWITCH

The WH482 and WH602 models are supplied with a remote reset high pressure switch. If tripped, this pressure switch may be reset by turning the thermostat off then back on again.

THREE PHASE SCROLL COMPRESSOR START UP INFORMATION

Scroll compressors, like several other types of compressors, will only compress in one rotational direction. Direction of rotation is not an issue with single phase compressors since they will always start and run in the proper direction.

However, three phase compressors will rotate in either direction depending upon phasing of the power. Since there is a 50-50 chance of connecting power in such a way as to cause rotation in the reverse direction, verification of proper rotation must be made. Verification of proper rotation direction is made by observing that suction pressure drops and discharge pressure rises when the compressor is energized. Reverse rotation also results in an elevated sound level over that with correct rotation, as well as, substantially reduced current draw compared to tabulated values.

There is no negative impact on durability caused by operating three phase Compliant Scroll compressors in the reversed direction. However, after several minutes of operation, the compressor's internal protector will trip.

All three phase ZR3 compressors are wired identical internally. As a result, once the correct phasing is determined for a specific system or installation, connecting properly phased power leads to the same Fusite terminal should maintain proper rotation direction.

THE DIRECTION OF ROTATION OF THE MOTOR MAY BE CHANGED BY REVERSING ANY TWO LINE CONNECTIONS TO THE UNIT.

FIGURE 10

IMPORTANT

THESE PROCEDURES MUST BE FOLLOWED AT INITIAL START-UP AND AT ANY TIME POWER HAS BEEN REMOVED FOR 12 HOURS OR LONGER.

TO PREVENT COMPRESSOR DAMAGE WHICH MAY RESULT FROM THE PRESENCE OF LIQUID REFRIGERANT IN THE COMPRESSOR CRANKCASE.

1. MAKE CERTAIN THE ROOM THERMOSTAT IS IN THE "OFF" POSITION. (THE COMPRESSOR IS NOT TO OPERATE).
2. APPLY POWER BY CLOSING THE SYSTEM DISCONNECT SWITCH. THIS ENERGIZES THE COMPRESSOR HEATER WHICH EVAPORATES THE LIQUID REFRIGERANT IN THE CRANKCASE.
3. ALLOW 4 HOURS OR 60 MINUTES PER POUND OF REFRIGERANT IN THE SYSTEM AS NOTED ON THE UNIT RATING PLATE, WHICHEVER IS GREATER.
4. AFTER PROPERLY ELAPSED TIME THE THERMOSTAT MAY BE SET TO OPERATE THE COMPRESSOR.
5. EXCEPT AS REQUIRED FOR SAFETY WHILE SERVICING — DO NOT OPEN SYSTEM DISCONNECT SWITCH.

7961-061

SERVICE HINTS

1. Caution homeowner to maintain clean air filters at all times. Also, not to needlessly close off supply and return air registers. This reduces air flow through the system, which shortens equipment service life as well as increasing operating costs.
2. Switching to heating cycle at 75°F or higher outside temperature may cause a nuisance trip of the remote reset high pressure switch. Turn thermostat off, then on to reset the high pressure switch.
3. The heat pump wall thermostats perform multiple functions. Be sure that all function switches are correctly set for the desired operating mode before trying to diagnose any reported service problems.
4. Check all power fuses or circuit breakers to be sure they are the correct rating.
5. Periodic cleaning of the outdoor coil to permit full and unrestricted airflow circulation is essential.

SEQUENCE OF OPERATION

COOLING--Circuit R-Y makes at thermostat pulling in compressor contactor, starting the compressor and outdoor motor. The G (indoor motor) circuit is automatically completed on any call for cooling operation or can be energized by manual fan switch on subbase for constant air circulation.

HEATING--A 24V solenoid coil on reversing valve controls heating cycle operation. Two thermostat options, one allowing "Auto" changeover from cycle to cycle and the other constantly energizing solenoid coil during heating season and thus eliminating pressure equalization noise except during defrost, are to be used. On "Auto" option, a circuit is completed from R-W1 and R-Y on each heating "on" cycle, energizing reversing valve solenoid and pulling in compressor contactor starting compressor and outdoor motor. R-G also make starting indoor blower motor. Heat Pump heating cycle now in operation. The second option has no "Auto" changeover position, but instead energizes the reversing valve solenoid constantly whenever the system switch on subbase is placed in "Heat" position, the "B" terminal being constantly energized from R. A thermostat demand for heat completes R-Y circuit, pulling in compressor contactor starting compressor and outdoor motor. R-G also make starting indoor blower motor.

PRESSURE SERVICE PORTS

High and low pressure service ports are installed on all units so that the system operating pressures can be observed. Pressure curves can be found later in the manual covering all models on both cooling and heating cycles. It is imperative to match the correct pressure curve to the unit by model number.

DEFROST CYCLE

The defrost cycle is controlled by temperature and time on the solid state heat pump control.

When the outdoor temperature is in the lower 40°F temperature range or colder, the outdoor coil temperature is 32°F or below. This coil temperature is sensed by the coil sensor mounted near the bottom of the outdoor coil. Once coil temperature reaches 30°F or below, the coil sends a signal to the control logic of the heat pump control and the defrost timer will start.

After 60 (90 or 30) minutes at 30°F or below, the heat pump control will place the system in the defrost mode.

During the defrost mode, the refrigerant cycle switches back to the cooling cycle, the outdoor motor stops, electric heaters are energized, and hot gas passing through the outdoor coil melts any accumulated frost. When the temperature rises to approximately 57°F, the coil sensor will send a signal to the heat pump control which will return the system to heating operations automatically.

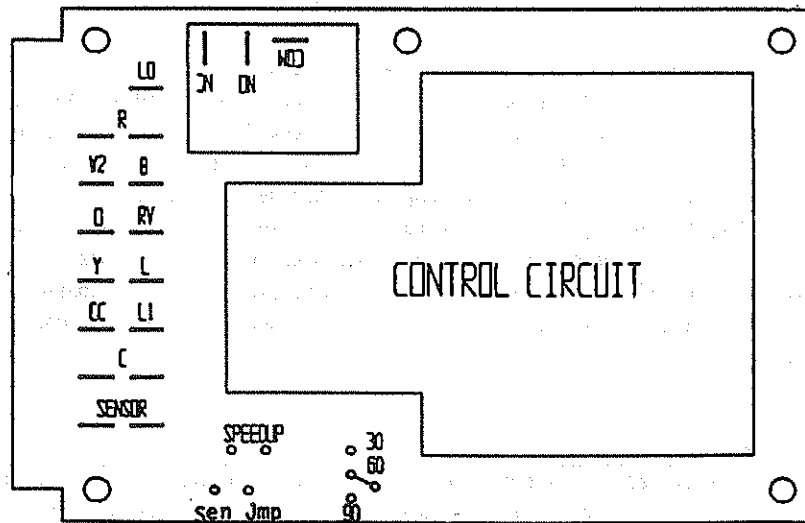
If some abnormal or temporary condition such as a high wind causes the heat pump to have a prolonged defrost cycle, the heat pump control will restore the system to heating operation automatically after 10 minutes.

There are three settings on the heat pump control--30 minute, 60 minute, and 90 minute. Most models are shipped wired on the 60 minute setting for greatest operating economy. If special circumstances require a change to another time, remove wire connected to terminal 60 and reconnect to desired terminal.

There is a cycle speed up jumper on the control. This can be used to reduce the time between defrost cycle operation without waiting for time to elapse.

There is an initial defrost (sen jmp) jumper on the control that can be used at any outdoor ambient during the heating cycle to simulate a 0° coil temperature. This can be used to check defrost operation of the unit without waiting for the outdoor ambient to fall into the defrost region.

FIGURE 11
DEFROST CONTROL BOARD



PART 4 -- TROUBLESHOOTING

SOLID STATE HEAT PUMP CONTROL TROUBLESHOOTING PROCEDURE

1. Turn on AC power supply to indoor and outdoor units.
2. Turn thermostat blower switch to fan on--the indoor blower should start. (If it doesn't, troubleshoot indoor unit and correct problem).
3. Turn thermostat blower switch to auto position. Indoor blower should stop.
4. Set system switch to heat or cool. Adjust thermostat to call for heat or cool--The indoor blower, compressor, and outdoor fan should start.

NOTE: If there was no power to 24 volt transformer, the compressor and outdoor fan motor will not start for 5 minutes. This is because of the compressor short cycle protection.

TABLE 5

TROUBLESHOOTING

Symptom	Possible Causes	What to Check	How To Check Or Repair
Compressor contactor does not energize (cooling or heating)	Control circuit wiring	Check for R connection at unit, and 24V between R-C.	Run R connection to outdoor unit to power heat pump control.
	Compressor lock out	1. Check for 24V between L1-C on heat pump control. 2. Check across high pressure switch.	1. If no voltage between L1-C turn thermostat off and on again to reset high pressure switch. 2. If high pressure switch is open and will not reset, replace high pressure switch.
	Compressor short cycle protection	Check for 24V between CC-C and Y-C on heat pump control.	1. If no voltage between CC-C jumper speed up terminal and within 10 seconds power should appear between CC-C. Remove speed up jumper after 10 seconds.
	Heat pump control defective	Check all other possible causes. Manual 2100-065	Replace heat pump control.
	Contactor defective	Check for open or shorted coil winding.	Replace contactor.
Fan outdoor motor does not run (cooling or heating except during defrost)	Motor defective	Check for open or shorted motor winding	Replace motor.
	Motor capacitor defective	Check capacitor rating. Check for open or shorted capacitor.	Replace capacitor.
	Heat pump control defective	Check across fan relay on heat pump control. (Com-NC)	Replace heat pump control.
Reversing valve does not energize (heating only)	Reversing valve solenoid coil defective	Check for open or shorted coil.	Replace solenoid coil.
	Heat pump control defective	Check for 24V between RV-C and B-C.	1. Check control circuit wiring. 2. Replace heat pump control.
Unit will not go into defrost (heating only)	Temperature sensor or heat pump control defective	Disconnect temperature sensor from board and jumper across speed up terminals and sen jmp terminals. This should cause the unit to go through a defrost cycle within one minute.	1. If unit goes through defrost cycle, replace temperature sensor. 2. If unit does not go through defrost cycle, replace heat pump control.
Unit will not come out of defrost (heating only)	Temperature sensor or heat pump control defective	Jumper across speed up terminals. This should cause the unit to come out of defrost within one minute.	1. If unit comes out of defrost cycle, replace temperature sensor. 2. If unit does not come out of defrost cycle, replace heat pump control.

CHECKING TEMPERATURE SENSOR OUTSIDE UNIT CIRCUIT

1. Disconnect temperature sensor from board and from outdoor coil.
2. Use an ohmmeter and measure the resistance of the sensor. Also use ohmmeter to check for short or open.
3. Check resistance reading to chart of resistance use sensor ambient temperature. (Tolerance of part is $\pm 10\%$).
4. If sensor resistance reads very low, then sensor is shorted and will not allow proper operation of the heat pump control.
5. If sensor is out of tolerance, shorted, open, or reads very low ohms then it should be replaced.

TEMPERATURE F VS RESISTANCE R OF TEMPERATURE SENSOR

F	R	F	R	F	R
-25.0	196871	25.0	39898	75.0	10501
-24.0	190099	26.0	38757	76.0	10247
-23.0	183585	27.0	37652	77.0	10000
-22.0	177318	28.0	36583	78.0	9760
-21.0	171289	29.0	35548	79.0	9526
-20.0	165487	30.0	34545	80.0	9299
-19.0	159904	31.0	33574	81.0	9077
-18.0	154529	32.0	32634	82.0	8862
-17.0	149355	33.0	31723	83.0	8653
-16.0	144374	34.0	30840	84.0	8449
-15.0	139576	35.0	29986	85.0	8250
-14.0	134956	36.0	29157	86.0	8057
-13.0	130506	37.0	28355	87.0	7869
-12.0	126219	38.0	27577	88.0	7686
-11.0	122089	39.0	26823	89.0	7507
-10.0	118108	40.0	26092	90.0	7334
-9.0	114272	41.0	25383	91.0	7165
-8.0	110575	42.0	24696	92.0	7000
-7.0	107010	43.0	24030	93.0	6840
-6.0	103574	44.0	23384	94.0	6683
-5.0	100260	45.0	22758	95.0	6531
-4.0	97064	46.0	22150	96.0	6383
-3.0	93981	47.0	21561	97.0	6239
-2.0	91008	48.0	20989	98.0	6098
-1.0	88139	49.0	20435	99.0	5961
0.0	85371	50.0	19896	100.0	5827
1.0	82699	51.0	19374	101.0	5697
2.0	80121	52.0	18867	102.0	5570
3.0	77632	53.0	18375	103.0	5446
4.0	75230	54.0	17898	104.0	5326
5.0	72910	55.0	17434	105.0	5208
6.0	70670	56.0	16984	106.0	5094
7.0	68507	57.0	16547	107.0	4982
8.0	66418	58.0	16122	108.0	4873
9.0	64399	59.0	15710	109.0	4767
10.0	62449	60.0	15310	110.0	4663
11.0	60565	61.0	14921	111.0	4562
12.0	58745	62.0	14544	112.0	4464
13.0	56985	63.0	14177	113.0	4367
14.0	55284	64.0	13820	114.0	4274
15.0	53640	65.0	13474	115.0	4182
16.0	52051	66.0	13137	116.0	4093
17.0	50514	67.0	12810	117.0	4006
18.0	49028	68.0	12492	118.0	3921
19.0	47590	69.0	12183	119.0	3838
20.0	46200	70.0	11883	120.0	3757
21.0	44855	71.0	11591	121.0	3678
22.0	43554	72.0	11307	122.0	3601
23.0	42295	73.0	11031	123.0	3526
24.0	41077	74.0	10762	124.0	3452

FAN BLADE SETTING DIMENSIONS

Shown in the drawing below are the correct fan blade setting dimensions for proper air delivery across the outdoor coil.

Any service work requiring removal or adjustment in the fan and/or motor area will require that the dimensions below be checked and blade adjusted in or out on the motor shaft accordingly.

FIGURE 12

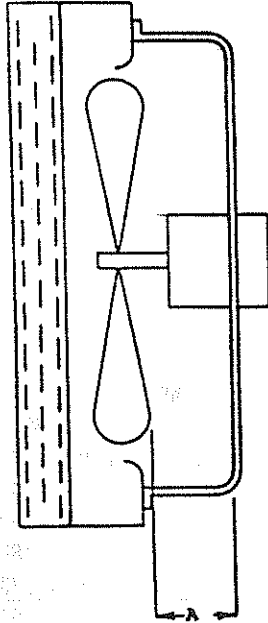


TABLE 6

Model	Dimension A
WH421 WH482 WH602	1.75

REMOVAL OF THE FAN SHROUD

1. Disconnect all power to unit.
2. Remove the screws holding both grilles--one on each side of unit--and remove grilles.
3. Remove screws holding fan shroud to condenser and bottom. (9) screws.
4. Unwire condenser fan motor.
5. Slide complete motor, fan blade, and shroud assembly out the left side of the unit.
6. Service motor/fan as needed.
7. Reverse steps to reinstall.

REFRIGERANT CHARGE

The correct system R-22 charge is shown on the unit rating plate. Optimum unit performance will occur with a refrigerant charge resulting in a suction line temperature (6" from compressor) as shown in the following table:

TABLE 7 REFRIGERANT CHARGE

Model	Rated Airflow	o	o
		95 F OD Temperature	82 F OD Temperature
WH421	1400	52 - 54	62 - 64
WH482	1550	53 - 55	62 - 64
WH602	1700	52 - 54	61 - 63

The above suction line temperatures are based upon 80°F dry bulb/67°F wet bulb (50% R.H.) temperature and rated airflow across the evaporator during cooling cycle.

TABLE 8 INDOOR BLOWER PERFORMANCE--CFM @ 230V

E.S.P. In H ₂ O	WH421, WH482		WH602	
	Lo 230V	Hi 230V	Lo 230V	Hi 230V
	Dry/Wet Coil	Dry/Wet Coil	Dry/Wet Coil	Dry/Wet Coil
.0	1650 / 1600	1885 / 1800	1600 / 1450	2200 / 2000
.1	1550 / 1500	1770 / 1665	1525 / 1375	2100 / 1900
.2	1450 / 1400	1635 / 1540		2000 / 1800
.3	1350 / 1300	1500 / 1400		1875 / 1700
.4	1300 / 1175	1370 / 1285		1775 / 1600
.5	---	1250 / 1150		1650 / 1475

TABLE 9 Recommended Operating Ranges

Model	Rated CFM*	Rated ESP*	Recommended Airflow Range
WH421	1400	.30	1600 - 1150
WH482	1550	.20	1750 - 1285
WH602	1700	.30	1950 - 1375

*Rated CFM and ESP on high speed tap.

TABLE 10 MAXIMUM ESP OF OPERATION

Model Speed KW	WH421		WH482		WH602	
	High Speed	Low Speed	High Speed	Low Speed	High Speed	Low Speed
-A00	.50	.50	.50	.50	.50	.40
-A05	.50	.50	.50	.50	.50	.25
-A10	.50	.45	.50	.45	.50	.25
-A15	.50	.45	.50	.45	.50	.25
-A20	---	---	.50	.45	.50	.25
-B00	.50	.50	.50	.50	.50	.40
-B09	.50	.45	.50	.45	.50	.30
-B15	.50	.45	.50	.45	.50	.30
-B18	---	---	.50	.45	.50	.30
-C00	.50	.50	.50	.50	.50	.40
-C09	.50	.40	.50	.40	.50	.35
-C15	.50	.40	.50	.40	.50	.35

Values shown are for units equipped with STD 1-inch throw-away filter or 1-inch washable filter. Derate ESP by .15 for 2-inch pleated filters.

TABLE 11

COOLING -- Pressure (PSI)

Model	Return Air Temperature	Pressure	Air Temperature Entering Outdoor Coil °F								
			75	80	85	90	95	100	105	110	115
WR421	75° DB	Low Side	74	75	77	78	79	80	80	81	82
	62° WB	High Side	205	220	235	251	266	282	297	313	329
	80° DB	Low Side	79	80	82	83	84	85	85	86	86
	67° WB	High Side	210	226	241	257	273	289	305	321	337
WR482	85° DB	Low Side	85	86	88	89	90	91	91	92	92
	72° WB	High Side	217	233	250	266	283	300	316	333	349
	75° DB	Low Side	74	75	77	78	79	80	80	81	81
	62° WB	High Side	221	231	242	255	270	287	305	326	348
WR602	80° DB	Low Side	79	80	82	83	84	85	85	86	86
	67° WB	High Side	214	233	252	271	289	307	324	341	357
	85° DB	Low Side	85	86	88	89	90	91	91	92	92
	72° WB	High Side	221	241	261	280	299	317	335	352	369
WH602	75° DB	Low Side	70	71	73	74	75	76	78	79	81
	62° WB	High Side	225	233	246	262	282	306	333	364	399
	80° DB	Low Side	75	76	78	79	80	81	83	85	87
	67° WB	High Side	231	239	252	269	289	313	341	373	409
WH602	85° DB	Low Side	81	82	84	85	86	88	90	93	96
	72° WB	High Side	240	248	261	278	299	324	353	386	410

TABLE 12

HEATING -- Pressures (PSI)

Model	Return Air Temperature	Pressure	Air Temperature Entering Outdoor Coil °F														
			0	5	10	15	17	20	25	30	35	40	45	47	50	55	60
WH421	70°	Low Side	21	25	27	29	30	32	35	39	43	48	53	55	58	64	71
		High Side	141	147	152	158	160	163	169	174	180	190	201	206	214	229	246
WR482	70°	Low Side	16	19	22	26	27	29	32	36	39	45	51	54	59	67	77
		High Side	161	164	168	172	174	177	182	188	195	202	210	213	218	227	236
WH602	70°	Low Side	23	25	27	28	29	30	32	33	35	42	51	55	62	75	91
		High Side	178	182	185	189	191	192	194	196	205	218	236	244	257	283	313

Low side pressure \pm 2 PSIG

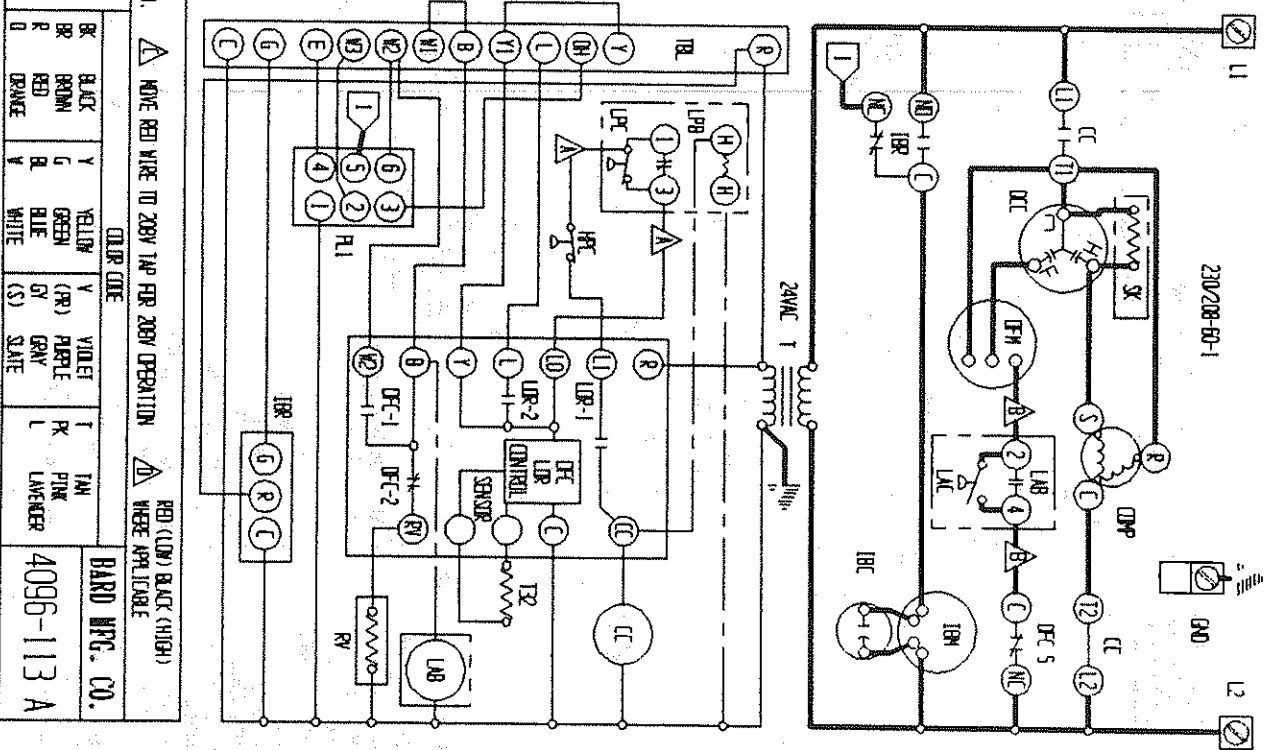
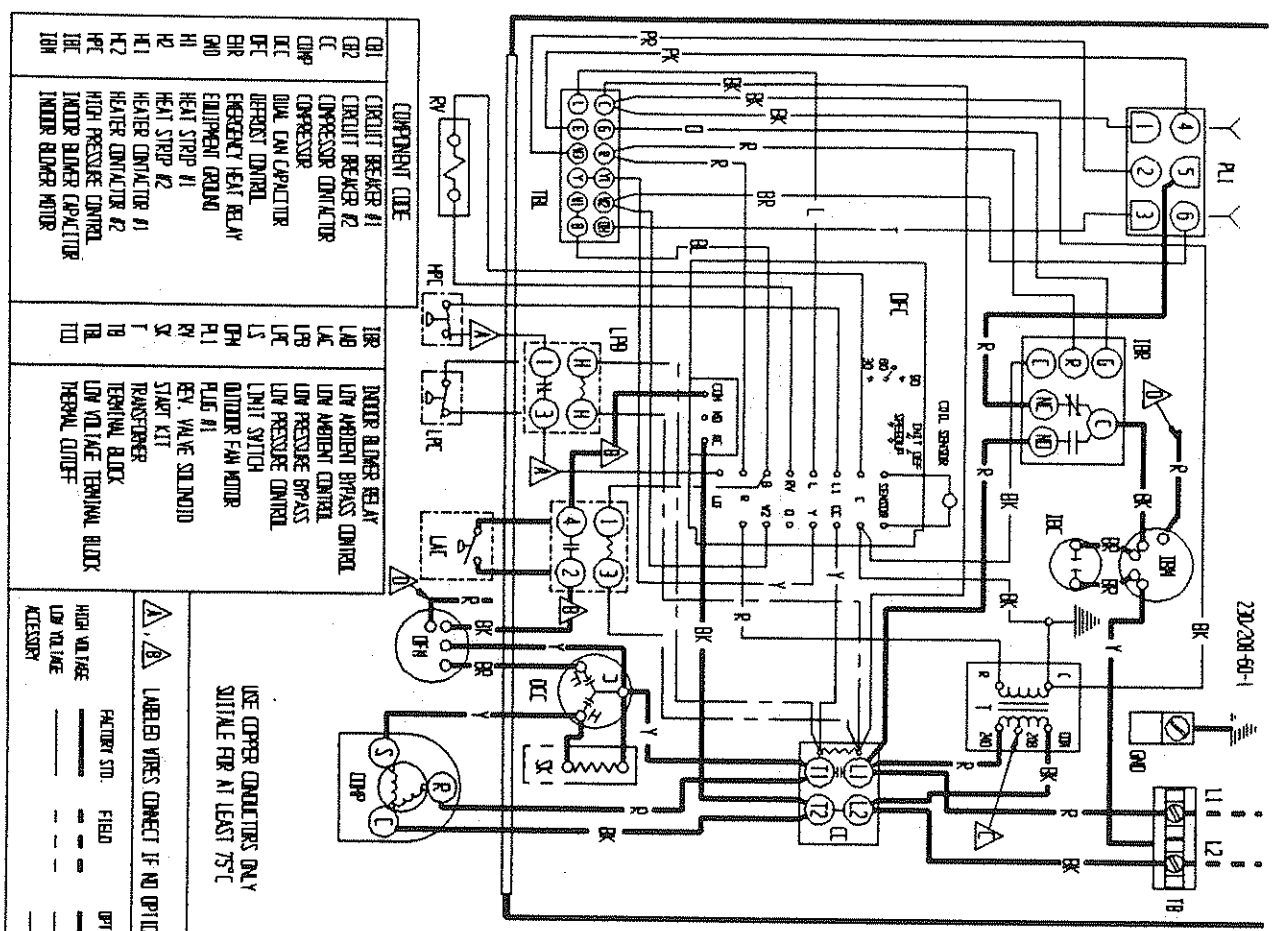
High side pressure \pm 5 PSIG

Tables are based upon rated CFM (airflow) across the evaporator coil and should be found under section titled "Refrigerant Charge" elsewhere in manual. If there is any doubt as to correct operating charge being in the system, the charge should be removed, system evacuated, and recharged to serial plate instructions.

TABLE 13

OPTIONAL ACCESSORIES

Model	Description	W	W	W	W	W	W	W	W	W
		4	4	4	4	4	4	6	6	6
		2	2	2	8	8	8	0	0	0
		1	1	1	2	2	2	2	2	2
		-	-	-	-	-	-	-	-	-
		A	B	C	A	B	C	A	B	C
EPWH42-A05	Heater Packages	X								
EPWH42-A10	Heater Packages	X								
EPWH42-A15	Heater Packages	X								
EPWH42-C06	Heater Packages	X								
EPWH04-A05	Heater Packages				X			X		
EPWH04-A10	Heater Packages				X			X		
EPWH04-A15	Heater Packages				X			X		
EPWH04-A20	Heater Packages				X			X		
EPWH05-B09	Heater Packages		X			X			X	
EPWH05-B15	Heater Packages		X			X			X	
EPWH04-B18	Heater Packages					X			X	
EPWH05-C09	Heater Packages			X			X			X
EPWH05-C15	Heater Package			X			X			X
BOP-5	Blank Off Plate	X	X	X	X	X	X	X	X	X
BFAD-5	Barometric Fresh Air Damper	X	X	X	X	X	X	X	X	X
MFAD-5	Motorized Fresh Air Damper	X	X	X	X	X	X	X	X	X
CRV-5	Classroom Ventilator With Exhaust	X	X	X	X	X	X	X	X	X
RIEM-5	Economizer With Exhaust	X	X	X	X	X	X	X	X	X
WERV-ASA	Energy Recovery Ventilator	X	X		X	X		X	X	
WERV-CSA	Energy Recovery Ventilator			X			X			X
CMH-3	Low Pressure Control (LPC)	X	X	X	X	X	X	X	X	X
CMH-7	Low Ambient Control (LAC)	X	X		X	X		X	X	
CMH-9	LAC + LPC	X	X		X	X		X	X	
CMH-14	Outdoor Thermostat (ODT)	X	X	X	X	X	X	X	X	X
CMC-15	Start Kit (SK)	X								
WMCB-05B	Circuit Breaker Kit		X							
WMCB-06B	Circuit Breaker Kit					X				
WMPD-01	Circuit Breaker Kit			X			X			X
WMCB-07B	Circuit Breaker Kit								X	
WMCB-09A	Circuit Breaker Kit				X			X		
WMCB-08A	Circuit Breaker Kit	X								



USE COPPER CONDUCTORS ONLY
SUITABLE FOR AT LEAST 75°C

24VAC 1

24VAC 1

4096-113 A

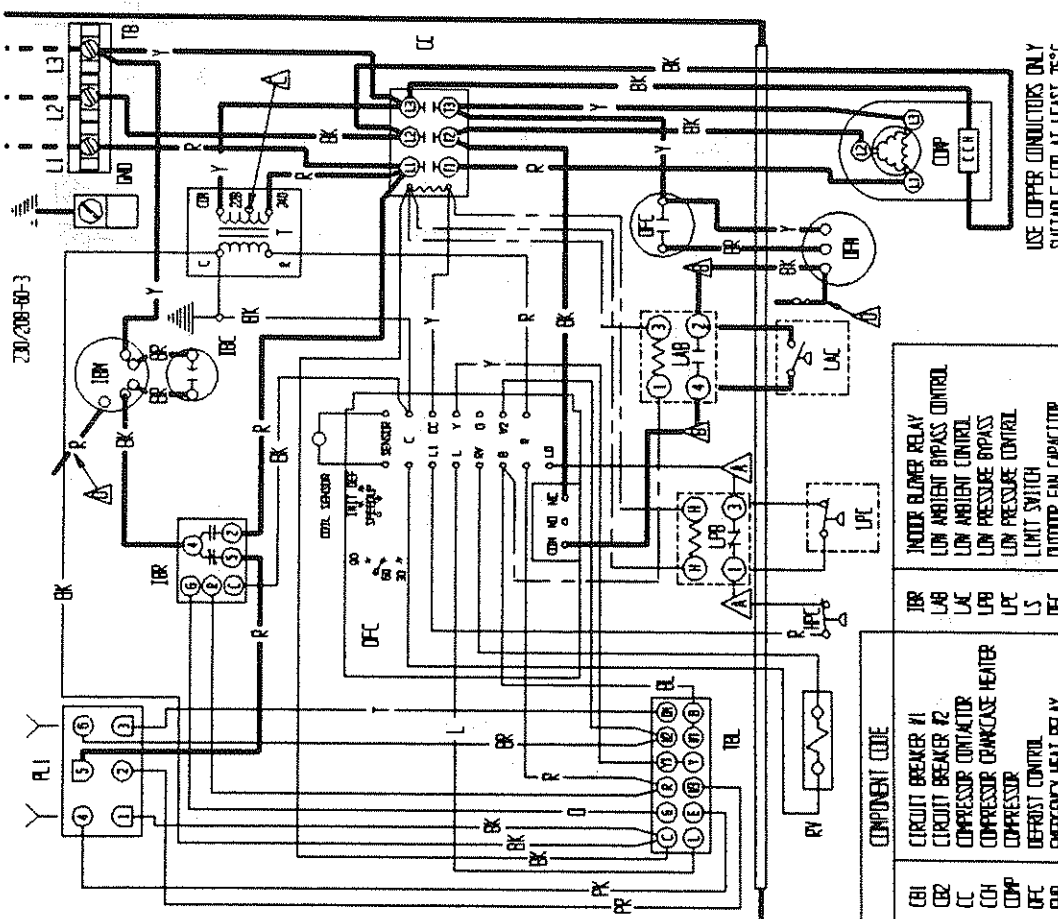
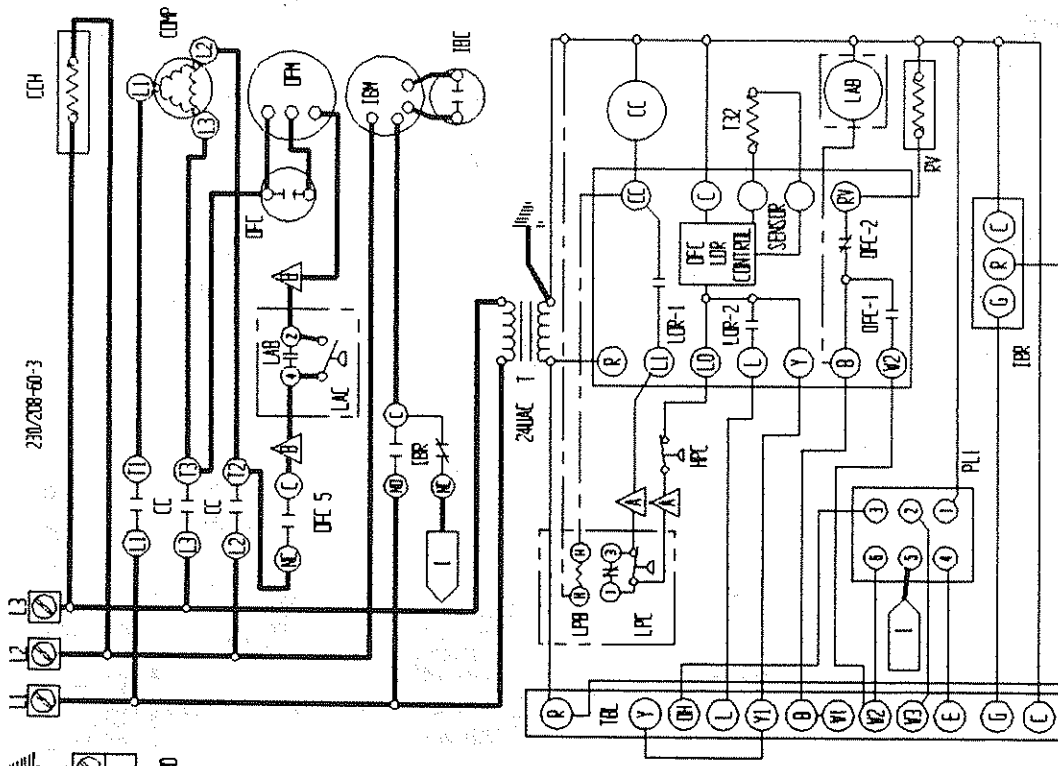
RED (LOW) BLACK (HIGH) HERE APPLIABLE

NOTE: RED WIRE TO 208V TAP FOR 208V OPERATION

FACTORY STD. FIELD OPTIONAL

HIGH VOLTAGE LOW VOLTAGE ACCESSORY

BARCO MFG. CO. 4096-113 A



<p>230/208-60-3</p>		<p>230/208-60-3</p>	
<p>IBM</p>		<p>IBR</p>	
<p>IBR</p>		<p>IBC</p>	
<p>IFC</p>		<p>IFC-1</p>	
<p>IFC-2</p>		<p>IFC-3</p>	
<p>IFC-4</p>		<p>IFC-5</p>	
<p>IFC-6</p>		<p>IFC-7</p>	
<p>IFC-8</p>		<p>IFC-9</p>	
<p>IFC-10</p>		<p>IFC-11</p>	
<p>IFC-12</p>		<p>IFC-13</p>	
<p>IFC-14</p>		<p>IFC-15</p>	
<p>IFC-16</p>		<p>IFC-17</p>	
<p>IFC-18</p>		<p>IFC-19</p>	
<p>IFC-20</p>		<p>IFC-21</p>	
<p>IFC-22</p>		<p>IFC-23</p>	
<p>IFC-24</p>		<p>IFC-25</p>	
<p>IFC-26</p>		<p>IFC-27</p>	
<p>IFC-28</p>		<p>IFC-29</p>	
<p>IFC-30</p>		<p>IFC-31</p>	
<p>IFC-32</p>		<p>IFC-33</p>	
<p>IFC-34</p>		<p>IFC-35</p>	
<p>IFC-36</p>		<p>IFC-37</p>	
<p>IFC-38</p>		<p>IFC-39</p>	
<p>IFC-40</p>		<p>IFC-41</p>	
<p>IFC-42</p>		<p>IFC-43</p>	
<p>IFC-44</p>		<p>IFC-45</p>	
<p>IFC-46</p>		<p>IFC-47</p>	
<p>IFC-48</p>		<p>IFC-49</p>	
<p>IFC-50</p>		<p>IFC-51</p>	
<p>IFC-52</p>		<p>IFC-53</p>	
<p>IFC-54</p>		<p>IFC-55</p>	
<p>IFC-56</p>		<p>IFC-57</p>	
<p>IFC-58</p>		<p>IFC-59</p>	
<p>IFC-60</p>		<p>IFC-61</p>	
<p>IFC-62</p>		<p>IFC-63</p>	
<p>IFC-64</p>		<p>IFC-65</p>	
<p>IFC-66</p>		<p>IFC-67</p>	
<p>IFC-68</p>		<p>IFC-69</p>	
<p>IFC-70</p>		<p>IFC-71</p>	
<p>IFC-72</p>		<p>IFC-73</p>	
<p>IFC-74</p>		<p>IFC-75</p>	
<p>IFC-76</p>		<p>IFC-77</p>	
<p>IFC-78</p>		<p>IFC-79</p>	
<p>IFC-80</p>		<p>IFC-81</p>	
<p>IFC-82</p>		<p>IFC-83</p>	
<p>IFC-84</p>		<p>IFC-85</p>	
<p>IFC-86</p>		<p>IFC-87</p>	
<p>IFC-88</p>		<p>IFC-89</p>	
<p>IFC-90</p>		<p>IFC-91</p>	
<p>IFC-92</p>		<p>IFC-93</p>	
<p>IFC-94</p>		<p>IFC-95</p>	
<p>IFC-96</p>		<p>IFC-97</p>	
<p>IFC-98</p>		<p>IFC-99</p>	
<p>IFC-100</p>		<p>IFC-101</p>	

RED (LOW) BLACK (HIGH) WERE APPLICABLE

MOVE RED WIRE TO 208V TAP FOR 208V OPERATION

USE COPPER CONDUCTORS ONLY SUITABLE FOR AT LEAST 75°C

LABELLED WIRES CONNECT IF NO OPTIONS USED.

OPTIONAL

FABRIQ. STD. FIBRO

HIGH VOLTAGE LOW VOLTAGE ACCESSORY

IBR	INDOOR BLOWER RELAY
LAB	LOW AMBIENT BIPASS CONTROL
LAC	LOW AMBIENT BIPASS
LPC	LOW PRESSURE BIPASS
LSC	LOW PRESSURE CONTROL
LSS	LIMIT SWITCH
LFC	OUTDOOR FAN CAPACITOR
LFR	OUTDOOR FAN MOTOR
LFI	OUTDOOR FAN RELAY
LVI	PLUG #1
LVS	REV. VALVE SOLINOID
LVT	TRANSFORMER
LVB	TERMINAL BLOCK
LVL	LOW VOLTAGE TERMINAL BLOCK
LVO	THERMAL OUTOFF

CB1	CIRCUIT BREAKER #1
CB2	CIRCUIT BREAKER #2
CC	COMPRESSOR CONTACTOR
COH	COMPRESSOR COMPASS HEATER
COF	COMPRESSOR
DFC	DEFROST CONTROL
DFR	EMERGENCY HEAT RELAY
GRD	EQUIPMENT GROUND
H1	HEAT STRIP #1
H2	HEAT STRIP #2
H3	HEATER CONTACTOR #1
H4	HEATER CONTACTOR #2
HFC	HIGH PRESSURE CONTROL
IBC	INDOOR BLOWER CAPACITOR
IBM	INDOOR BLOWER MOTOR

RED (LOW) BLACK (HIGH) WERE APPLICABLE

MOVE RED WIRE TO 208V TAP FOR 208V OPERATION

USE COPPER CONDUCTORS ONLY SUITABLE FOR AT LEAST 75°C

LABELLED WIRES CONNECT IF NO OPTIONS USED.

OPTIONAL

FABRIQ. STD. FIBRO

HIGH VOLTAGE LOW VOLTAGE ACCESSORY

IBR	INDOOR BLOWER RELAY
LAB	LOW AMBIENT BIPASS CONTROL
LAC	LOW AMBIENT BIPASS
LPC	LOW PRESSURE BIPASS
LSC	LOW PRESSURE CONTROL
LSS	LIMIT SWITCH
LFC	OUTDOOR FAN CAPACITOR
LFR	OUTDOOR FAN MOTOR
LFI	OUTDOOR FAN RELAY
LVI	PLUG #1
LVS	REV. VALVE SOLINOID
LVT	TRANSFORMER
LVB	TERMINAL BLOCK
LVL	LOW VOLTAGE TERMINAL BLOCK
LVO	THERMAL OUTOFF

CB1	CIRCUIT BREAKER #1
CB2	CIRCUIT BREAKER #2
CC	COMPRESSOR CONTACTOR
COH	COMPRESSOR COMPASS HEATER
COF	COMPRESSOR
DFC	DEFROST CONTROL
DFR	EMERGENCY HEAT RELAY
GRD	EQUIPMENT GROUND
H1	HEAT STRIP #1
H2	HEAT STRIP #2
H3	HEATER CONTACTOR #1
H4	HEATER CONTACTOR #2
HFC	HIGH PRESSURE CONTROL
IBC	INDOOR BLOWER CAPACITOR
IBM	INDOOR BLOWER MOTOR

RED (LOW) BLACK (HIGH) WERE APPLICABLE

MOVE RED WIRE TO 208V TAP FOR 208V OPERATION

USE COPPER CONDUCTORS ONLY SUITABLE FOR AT LEAST 75°C

LABELLED WIRES CONNECT IF NO OPTIONS USED.

OPTIONAL

FABRIQ. STD. FIBRO

HIGH VOLTAGE LOW VOLTAGE ACCESSORY

IBR	INDOOR BLOWER RELAY
LAB	LOW AMBIENT BIPASS CONTROL
LAC	LOW AMBIENT BIPASS
LPC	LOW PRESSURE BIPASS
LSC	LOW PRESSURE CONTROL
LSS	LIMIT SWITCH
LFC	OUTDOOR FAN CAPACITOR
LFR	OUTDOOR FAN MOTOR
LFI	OUTDOOR FAN RELAY
LVI	PLUG #1
LVS	REV. VALVE SOLINOID
LVT	TRANSFORMER
LVB	TERMINAL BLOCK
LVL	LOW VOLTAGE TERMINAL BLOCK
LVO	THERMAL OUTOFF

CB1	CIRCUIT BREAKER #1
CB2	CIRCUIT BREAKER #2
CC	COMPRESSOR CONTACTOR
COH	COMPRESSOR COMPASS HEATER
COF	COMPRESSOR
DFC	DEFROST CONTROL
DFR	EMERGENCY HEAT RELAY
GRD	EQUIPMENT GROUND
H1	HEAT STRIP #1
H2	HEAT STRIP #2
H3	HEATER CONTACTOR #1
H4	HEATER CONTACTOR #2
HFC	HIGH PRESSURE CONTROL
IBC	INDOOR BLOWER CAPACITOR
IBM	INDOOR BLOWER MOTOR

RED (LOW) BLACK (HIGH) WERE APPLICABLE

MOVE RED WIRE TO 208V TAP FOR 208V OPERATION

USE COPPER CONDUCTORS ONLY SUITABLE FOR AT LEAST 75°C

LABELLED WIRES CONNECT IF NO OPTIONS USED.

OPTIONAL

FABRIQ. STD. FIBRO

HIGH VOLTAGE LOW VOLTAGE ACCESSORY

IBR	INDOOR BLOWER RELAY
LAB	LOW AMBIENT BIPASS CONTROL
LAC	LOW AMBIENT BIPASS
LPC	LOW PRESSURE BIPASS
LSC	LOW PRESSURE CONTROL
LSS	LIMIT SWITCH
LFC	OUTDOOR FAN CAPACITOR
LFR	OUTDOOR FAN MOTOR
LFI	OUTDOOR FAN RELAY
LVI	PLUG #1
LVS	REV. VALVE SOLINOID
LVT	TRANSFORMER
LVB	TERMINAL BLOCK
LVL	LOW VOLTAGE TERMINAL BLOCK
LVO	THERMAL OUTOFF

CB1	CIRCUIT BREAKER #1
CB2	CIRCUIT BREAKER #2
CC	COMPRESSOR CONTACTOR
COH	COMPRESSOR COMPASS HEATER
COF	COMPRESSOR
DFC	DEFROST CONTROL
DFR	EMERGENCY HEAT RELAY
GRD	EQUIPMENT GROUND
H1	HEAT STRIP #1
H2	HEAT STRIP #2
H3	HEATER CONTACTOR #1
H4	HEATER CONTACTOR #2
HFC	HIGH PRESSURE CONTROL
IBC	INDOOR BLOWER CAPACITOR
IBM	INDOOR BLOWER MOTOR

RED (LOW) BLACK (HIGH) WERE APPLICABLE

MOVE RED WIRE TO 208V TAP FOR 208V OPERATION

USE COPPER CONDUCTORS ONLY SUITABLE FOR AT LEAST 75°C

LABELLED WIRES CONNECT IF NO OPTIONS USED.

OPTIONAL

FABRIQ. STD. FIBRO

HIGH VOLTAGE LOW VOLTAGE ACCESSORY

IBR	INDOOR BLOWER RELAY
LAB	LOW AMBIENT BIPASS CONTROL
LAC	LOW AMBIENT BIPASS
LPC	LOW PRESSURE BIPASS
LSC	LOW PRESSURE CONTROL
LSS	LIMIT SWITCH
LFC	OUTDOOR FAN CAPACITOR
LFR	OUTDOOR FAN MOTOR
LFI	OUTDOOR FAN RELAY
LVI	PLUG #1
LVS	REV. VALVE SOLINOID
LVT	TRANSFORMER
LVB	TERMINAL BLOCK
LVL	LOW VOLTAGE TERMINAL BLOCK
LVO	THERMAL OUTOFF

CB1	CIRCUIT BREAKER #1
CB2	CIRCUIT BREAKER #2
CC	COMPRESSOR CONTACTOR
COH	COMPRESSOR COMPASS HEATER
COF	COMPRESSOR
DFC	DEFROST CONTROL
DFR	EMERGENCY HEAT RELAY
GRD	EQUIPMENT GROUND
H1	HEAT STRIP #1
H2	HEAT STRIP #2
H3	HEATER CONTACTOR #1
H4	HEATER CONTACTOR #2
HFC	HIGH PRESSURE CONTROL
IBC	INDOOR BLOWER CAPACITOR
IBM	INDOOR BLOWER MOTOR

RED (LOW) BLACK (HIGH) WERE APPLICABLE

MOVE RED WIRE TO 208V TAP FOR 208V OPERATION

USE COPPER CONDUCTORS ONLY SUITABLE FOR AT LEAST 75°C

LABELLED WIRES CONNECT IF NO OPTIONS USED.

OPTIONAL

FABRIQ. STD. FIBRO

HIGH VOLTAGE LOW VOLTAGE ACCESSORY

IBR	INDOOR BLOWER RELAY
LAB	LOW AMBIENT BIPASS CONTROL
LAC	LOW AMBIENT BIPASS
LPC	LOW PRESSURE BIPASS
LSC	LOW PRESSURE CONTROL
LSS	LIMIT SWITCH
LFC	OUTDOOR FAN CAPACITOR
LFR	OUTDOOR FAN MOTOR
LFI	OUTDOOR FAN RELAY
LVI	PLUG #1
LVS	REV. VALVE SOLINOID
LVT	TRANSFORMER
LVB	TERMINAL BLOCK
LVL	LOW VOLTAGE TERMINAL BLOCK
LVO	THERMAL OUTOFF

CB1	CIRCUIT BREAKER #1
CB2	CIRCUIT BREAKER #2
CC	COMPRESSOR CONTACTOR
COH	COMPRESSOR COMPASS HEATER
COF	COMPRESSOR
DFC	DEFROST CONTROL
DFR	EMERGENCY HEAT RELAY
GRD	EQUIPMENT GROUND
H1	HEAT STRIP #1
H2	HEAT STRIP #2
H3	HEATER CONTACTOR #1
H4	HEATER CONTACTOR #2
HFC	HIGH PRESSURE CONTROL
IBC	INDOOR BLOWER CAPACITOR
IBM	INDOOR BLOWER MOTOR

RED (LOW) BLACK (HIGH) WERE APPLICABLE

MOVE RED WIRE TO 208V TAP FOR 208V OPERATION

USE COPPER CONDUCTORS ONLY SUITABLE FOR AT LEAST 75°C

LABELLED WIRES CONNECT IF NO OPTIONS USED.

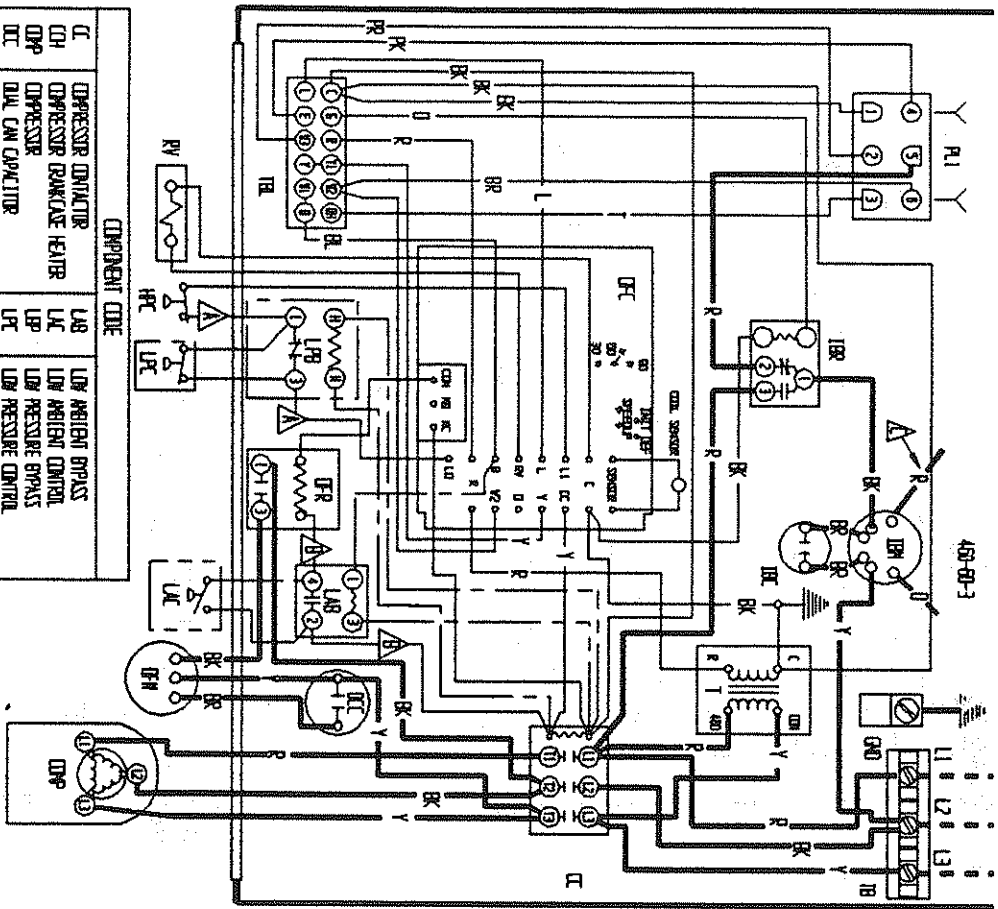
OPTIONAL

FABRIQ. STD. FIBRO

HIGH VOLTAGE LOW VOLTAGE ACCESSORY

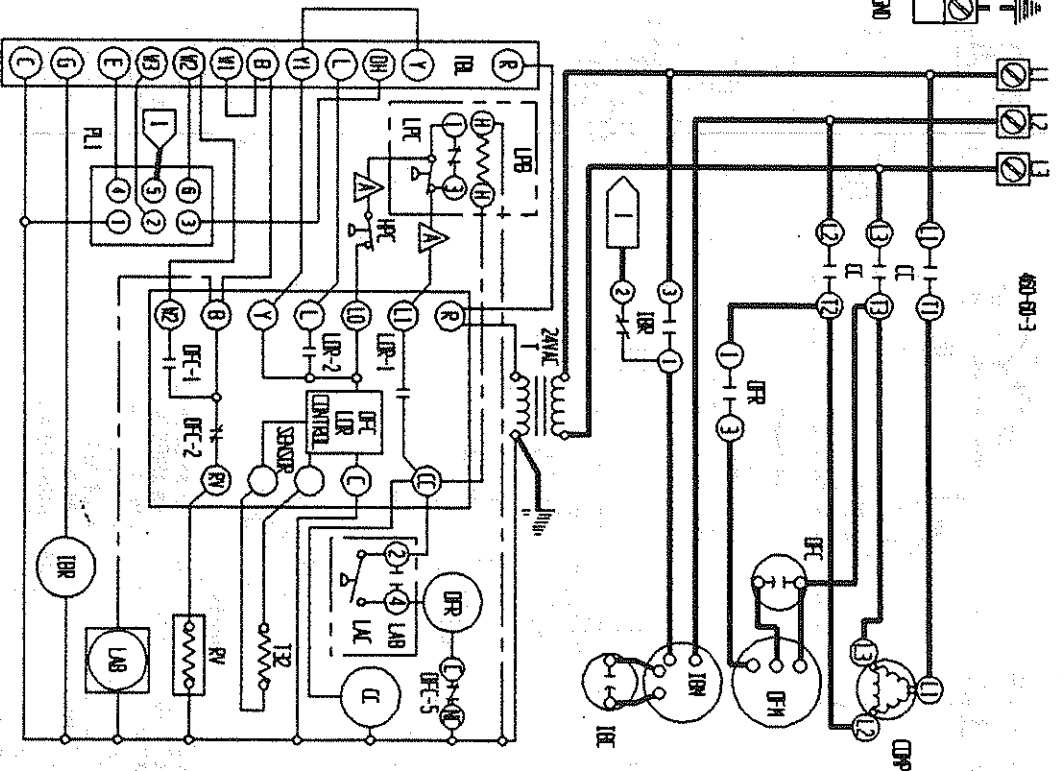
IBR	INDOOR BLOWER RELAY
LAB	LOW AMBIENT BIPASS CONTROL
LAC	LOW AMBIENT BIPASS
LPC	LOW PRESSURE BIPASS
LSC	LOW PRESSURE CONTROL
LSS	LIMIT SWITCH
LFC	OUTDOOR FAN CAPACITOR
LFR	OUTDOOR FAN MOTOR
LFI	OUTDOOR FAN RELAY
LVI	PLUG #1
LVS	REV. VALVE SOLINOID
LVT	TRANSFORMER
LVB	TERMINAL BLOCK
LVL	LOW VOLTAGE TERMINAL BLOCK
LVO	THERMAL OUTOFF

CB1	CIRCUIT BREAKER #1
CB2	CIRCUIT BREAKER #2
CC	COMPRESSOR CONTACTOR
COH	COMPRESSOR COMPASS HEATER
COF	COMPRESSOR
DFC	DEFROST CONTROL
DFR	EMERGENCY HEAT RELAY
GRD	EQUIPMENT GROUND
H1	HEAT STRIP #1
H2	HEAT STRIP #2
H3	HEATER CONTACTOR #1
H4	HEATER CONTACTOR #2
HFC	HIGH PRESSURE CONTROL
IBC	INDOOR BLOWER CAPACITOR
IBM	



COMPONENT CODE	COMPONENT CODE	COMPONENT CODE
UC	UAG	UAG
UD	UBG	UBG
UE	UBH	UBH
UF	UBI	UBI
UG	UBJ	UBJ
UH	UBK	UBK
UI	UBL	UBL
UJ	UBM	UBM
UK	UBN	UBN
UL	UBO	UBO
UM	UBP	UBP
UN	UBQ	UBQ
UO	UBR	UBR
UP	UBS	UBS
UQ	UBT	UBT
UR	UBU	UBU
US	UBV	UBV
UT	UBW	UBW
UW	UBX	UBX
UX	UBY	UBY
UY	UBZ	UBZ
UZ	UBA	UBA
VA	UBB	UBB
VB	UBC	UBC
VC	UBD	UBD
VD	UBE	UBE
VE	UBF	UBF
VF	UBG	UBG
VG	UBH	UBH
VH	UBI	UBI
VI	UBJ	UBJ
VJ	UBK	UBK
VK	UBL	UBL
VL	UBM	UBM
VM	UBN	UBN
VN	UBO	UBO
VO	UBP	UBP
VP	UBQ	UBQ
VQ	UBR	UBR
VR	UBS	UBS
VS	UBT	UBT
VT	UBU	UBU
VW	UBV	UBV
VX	UBW	UBW
VY	UBX	UBX
VZ	UBY	UBY
WA	UBZ	UBZ
WB	UBA	UBA
WC	UBB	UBB
WD	UBC	UBC
WE	UBD	UBD
WF	UBE	UBE
WG	UBF	UBF
WH	UBG	UBG
WI	UBH	UBH
WJ	UBI	UBI
WK	UBJ	UBJ
WL	UBK	UBK
WM	UBL	UBL
WN	UBM	UBM
WO	UBN	UBN
WP	UBO	UBO
WQ	UBP	UBP
WR	UBQ	UBQ
WS	UBR	UBR
WT	UBS	UBS
WU	UBT	UBT
WV	UBU	UBU
WW	UBV	UBV
WX	UBW	UBW
WY	UBX	UBX
WZ	UBY	UBY
XA	UBZ	UBZ
XB	UBA	UBA
XC	UBB	UBB
XD	UBC	UBC
XE	UBD	UBD
XF	UBE	UBE
XG	UBF	UBF
XH	UBG	UBG
XI	UBH	UBH
XJ	UBI	UBI
XK	UBJ	UBJ
XL	UBK	UBK
XM	UBL	UBL
XN	UBM	UBM
XO	UBN	UBN
XP	UBO	UBO
XQ	UBP	UBP
XR	UBQ	UBQ
XS	UBR	UBR
XT	UBS	UBS
XU	UBT	UBT
XV	UBU	UBU
XW	UBV	UBV
XX	UBW	UBW
XY	UBX	UBX
XZ	UBY	UBY
YA	UBZ	UBZ
YB	UBA	UBA
YC	UBB	UBB
YD	UBC	UBC
YE	UBD	UBD
YF	UBE	UBE
YG	UBF	UBF
YH	UBG	UBG
YI	UBH	UBH
YJ	UBI	UBI
YK	UBJ	UBJ
YL	UBK	UBK
YM	UBL	UBL
YN	UBM	UBM
YO	UBN	UBN
YP	UBO	UBO
YQ	UBP	UBP
YR	UBQ	UBQ
YS	UBR	UBR
YT	UBS	UBS
YU	UBT	UBT
YV	UBU	UBU
YW	UBV	UBV
YX	UBW	UBW
YZ	UBX	UBX
ZA	UBZ	UBZ
ZB	UBA	UBA
ZC	UBB	UBB
ZD	UBC	UBC
ZE	UBD	UBD
ZF	UBE	UBE
ZG	UBF	UBF
ZH	UBG	UBG
ZI	UBH	UBH
ZJ	UBI	UBI
ZK	UBJ	UBJ
ZL	UBK	UBK
ZM	UBL	UBL
ZN	UBM	UBM
ZO	UBN	UBN
ZP	UBO	UBO
ZQ	UBP	UBP
ZR	UBQ	UBQ
ZS	UBR	UBR
ZT	UBS	UBS
ZU	UBT	UBT
ZV	UBU	UBU
ZW	UBV	UBV
ZX	UBW	UBW
ZY	UBX	UBX
ZZ	UBY	UBY

USE COPPER CONDUCTORS ONLY
SUITABLE FOR AT LEAST 75°C



▲, ▲ LABELLED WIRES CONNECT IF NO PRIMIDS USED.

▲ FOR LOW SPEED CONNECT BLACK AND BROWN WIRES TOGETHER
▲ AND INSULATE. CONNECT RED WIRE TO TERMINAL 1 OF BR.

FACTORY STD.	FIELD	OPTIONAL
HIGH VOLTAGE	---	---
LOW VOLTAGE	---	---
ACCESSORY	---	---

COLOR CODE		WIRE COLOR		WIRE COLOR	
LETTER	NUMBER	LETTER	NUMBER	LETTER	NUMBER
R	1	BLACK	1	Y	1
B	2	BROWN	2	G	2
Y	3	RED	3	B	3
G	4	BROWN	4	W	4
B	5	RED	5	Y	5
W	6	BROWN	6	(R)	6
Y	7	RED	7	PURPLE	7
(R)	8	BROWN	8	GRAY	8
PURPLE	9	RED	9	SLATE	9
GRAY	10	BROWN	10		
SLATE	11	RED	11		
	12	BROWN	12		
	13	RED	13		
	14	BROWN	14		
	15	RED	15		
	16	BROWN	16		
	17	RED	17		
	18	BROWN	18		
	19	RED	19		
	20	BROWN	20		
	21	RED	21		
	22	BROWN	22		
	23	RED	23		
	24	BROWN	24		
	25	RED	25		
	26	BROWN	26		
	27	RED	27		
	28	BROWN	28		
	29	RED	29		
	30	BROWN	30		
	31	RED	31		
	32	BROWN	32		
	33	RED	33		
	34	BROWN	34		
	35	RED	35		
	36	BROWN	36		
	37	RED	37		
	38	BROWN	38		
	39	RED	39		
	40	BROWN	40		
	41	RED	41		
	42	BROWN	42		
	43	RED	43		
	44	BROWN	44		
	45	RED	45		
	46	BROWN	46		
	47	RED	47		
	48	BROWN	48		
	49	RED	49		
	50	BROWN	50		

BAIRD INC. CO.
4096-313B