

INSTALLATION INSTRUCTIONS

MODELS

**EH5PB-A05
EH5PB-A10
EH5PB-A15
EH5PB-A20**

**EH5PB-B09
EH5PB-B15
EH5PB-B18**

**EH5PB-C09
EH5PB-C15
EH5PB-C18**

OPTIONAL ELECTRIC HEAT PACKAGES

**FOR USE WITH
3-1/2, 4, AND 5 TON PACKAGED UNITS**

**MANUAL 2100-231 REV.
SUPERSEDES REV.
FILE VOL. II, TAB 12**

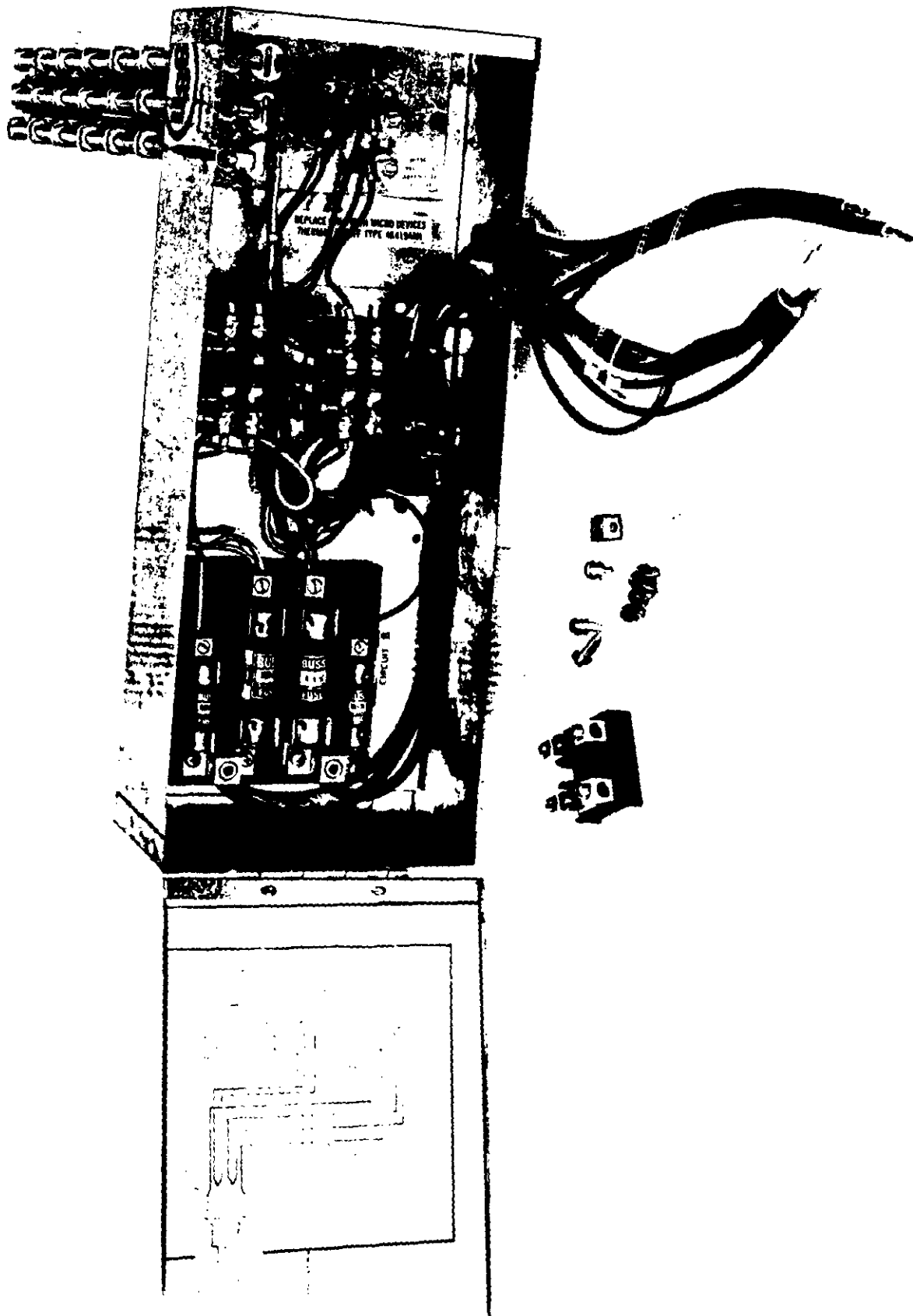
TABLE OF CONTENTS

Important	2
Shipping Damage	2
Unpacking The Heat Package	2
Installation	2
Wiring Connections.	2
Wiring Diagrams	5

FIGURES

Figure 1	1
Figure 2	3
Figure 3	4

FIGURE 1



IMPORTANT

The equipment covered in this manual is to be installed by trained, experienced service and installation technicians.

SHIPPING DAMAGE

Upon receipt of equipment, the carton should be checked for external signs of shipping damage. If damage is found, the receiving party must contact the last carrier immediately, preferably in writing, requesting inspection by the carrier's agent.

UNPACKING THE HEAT PACKAGE

Remove the heat package from the shipping carton. The heat package must consist of the following (see Figure 1):

1. Basic heater enclosure with controls and installation instructions.
2. Plastic bag containing (1) 230V terminal block, (1) grounding lug, (4) #10-16 x 1/2" screws, (2) #8-16 x 1" screws, (1) #10-24 x 1/2" screw, and (2) wire ties.

INSTALLATION

Disconnect all power supplies to the air conditioner or heat pump. Remove the control panel service door. Remove the four (4) #10-16 x 1/2" screws which secure the electric heat cover plate. Remove the electric heat cover plate from the blower partition and discard. Carefully insert heater package through the opening provided in the blower partition. Guide the heater package into the opening being careful to align the locating pin(s) of the heater(s) in the dimpled holes provided in the rear of the blower partition. Line up the four (4) holes in the heater control panel with the four (4) prepunched holes in the blower partition and secure the heater package to the blower partition with the four (4) #10-16 x 1/2" screws provided.

WIRING CONNECTIONS

Connect the wires exiting the rear of the heater package into the unit circuit by plugging in the plastic snap lock fitting into the mating fitting located on the rear of the control panel.

IMPORTANT: A separate power supply must be provided for use with any optional heater package. DO NOT attempt to connect a heater package with a basic unit to a single power supply.

Remove the unit control panel cover and the inner 4-1/4" x 7-3/4" cover. By removing this cover an isolated area is exposed. Install the high voltage terminal block. Use the two (2) #8-16 x 1" screws. Install the grounding lug, using the two (2) #10-24 x 1/2" screws into the prepunched holes supplied.

Route the line voltage power circuit wires from the heater package through the bushed hole in the control panel to the newly installed high voltage terminal block.

Inspect all wiring for damage and secure any loose wiring with the enclosed wire ties. See Figure 3 for completed assembly. Replace the terminal block cover, control box cover and blower service door.

Energize both power supplies and check for proper system operation.

FIGURE 2

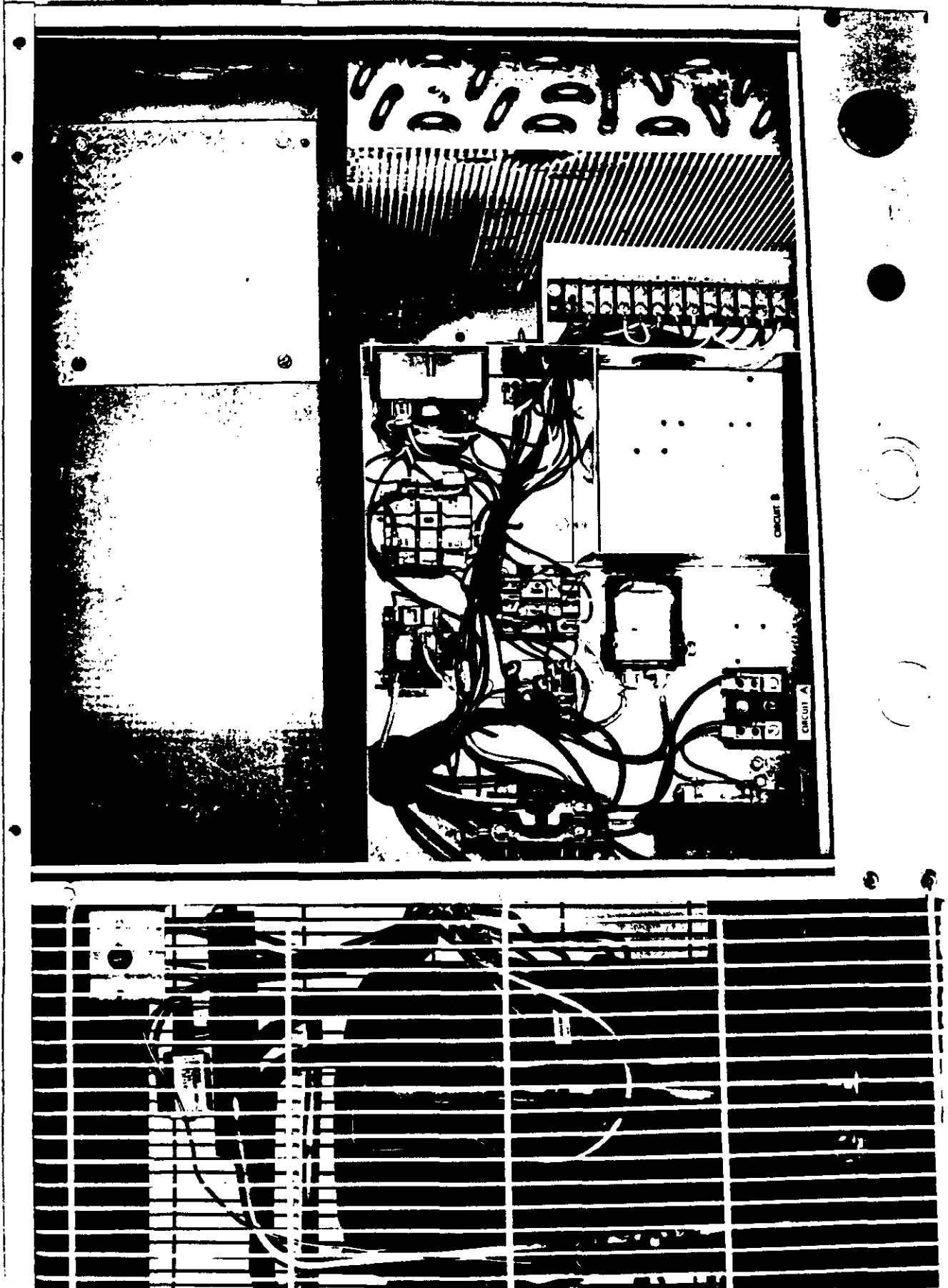
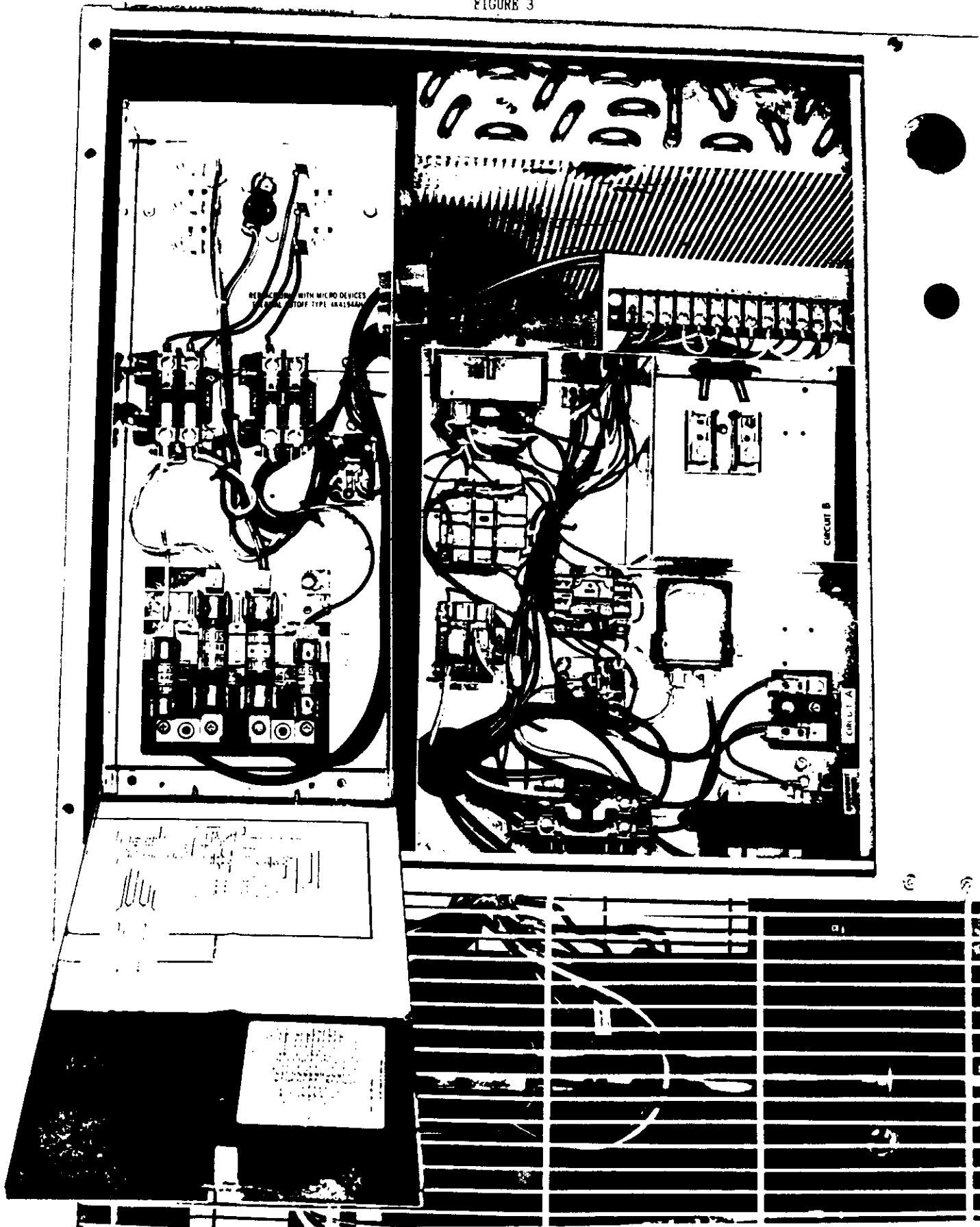
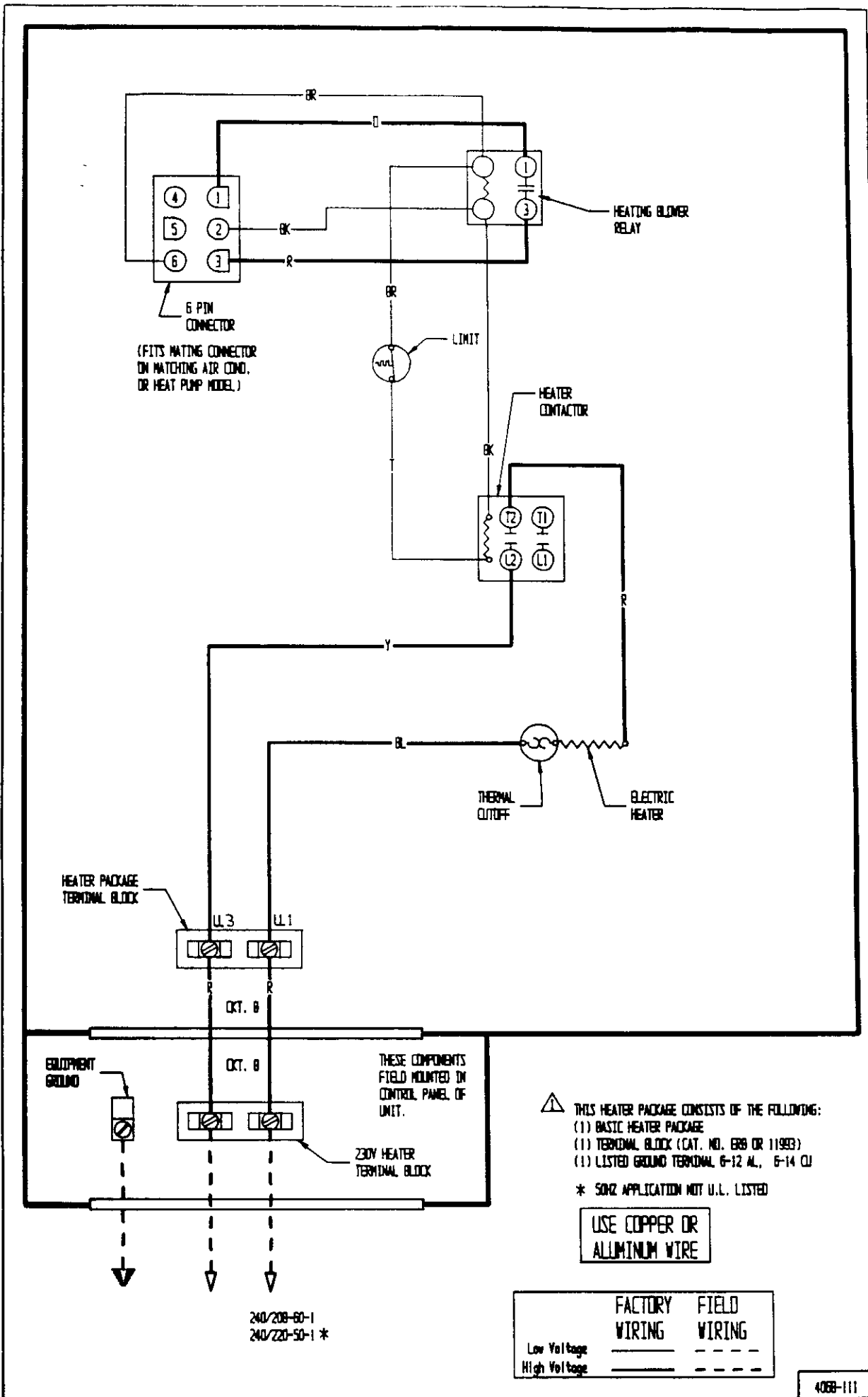


FIGURE 3



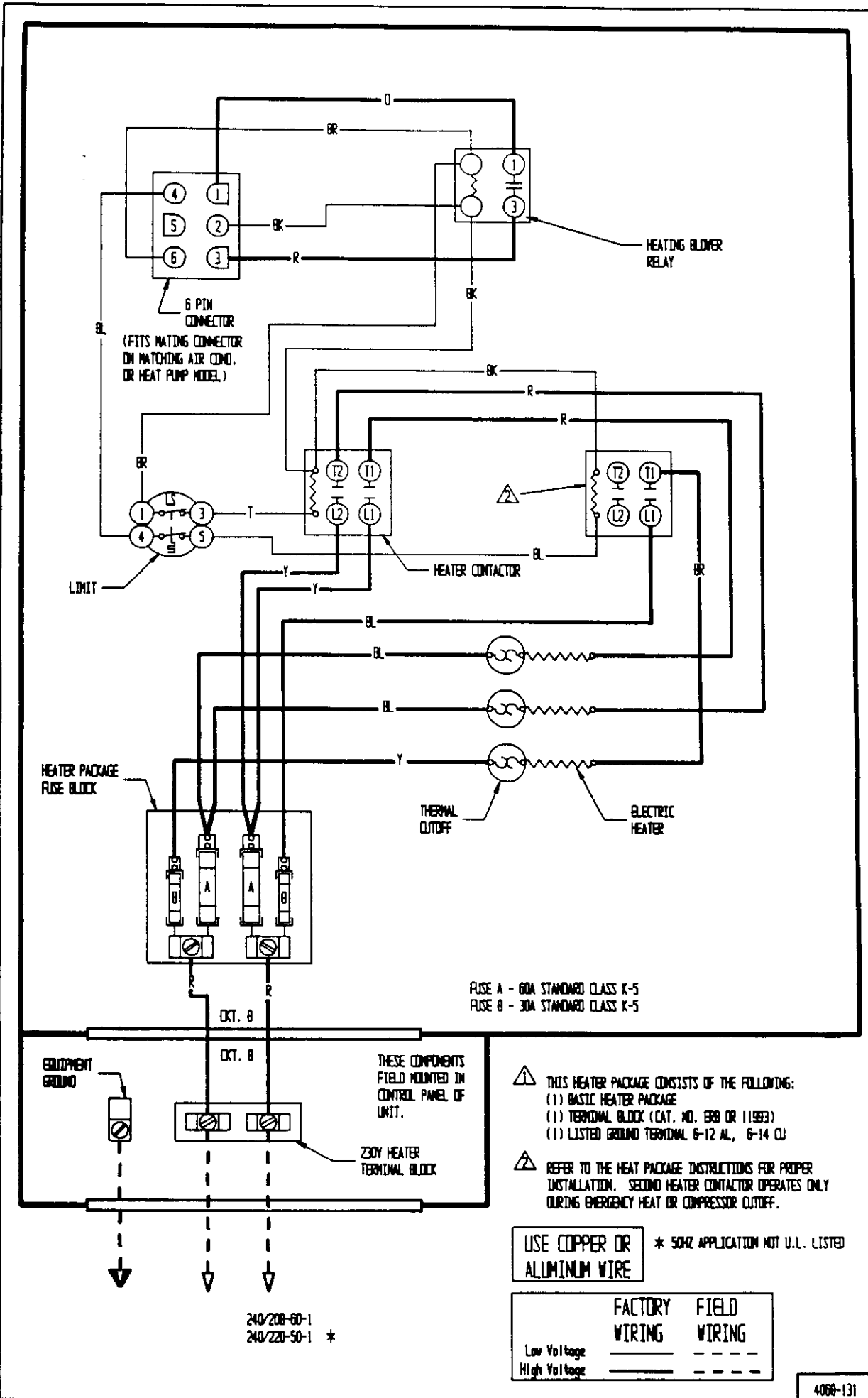


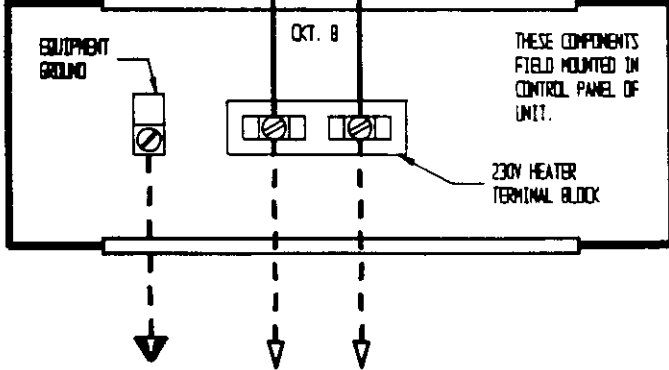
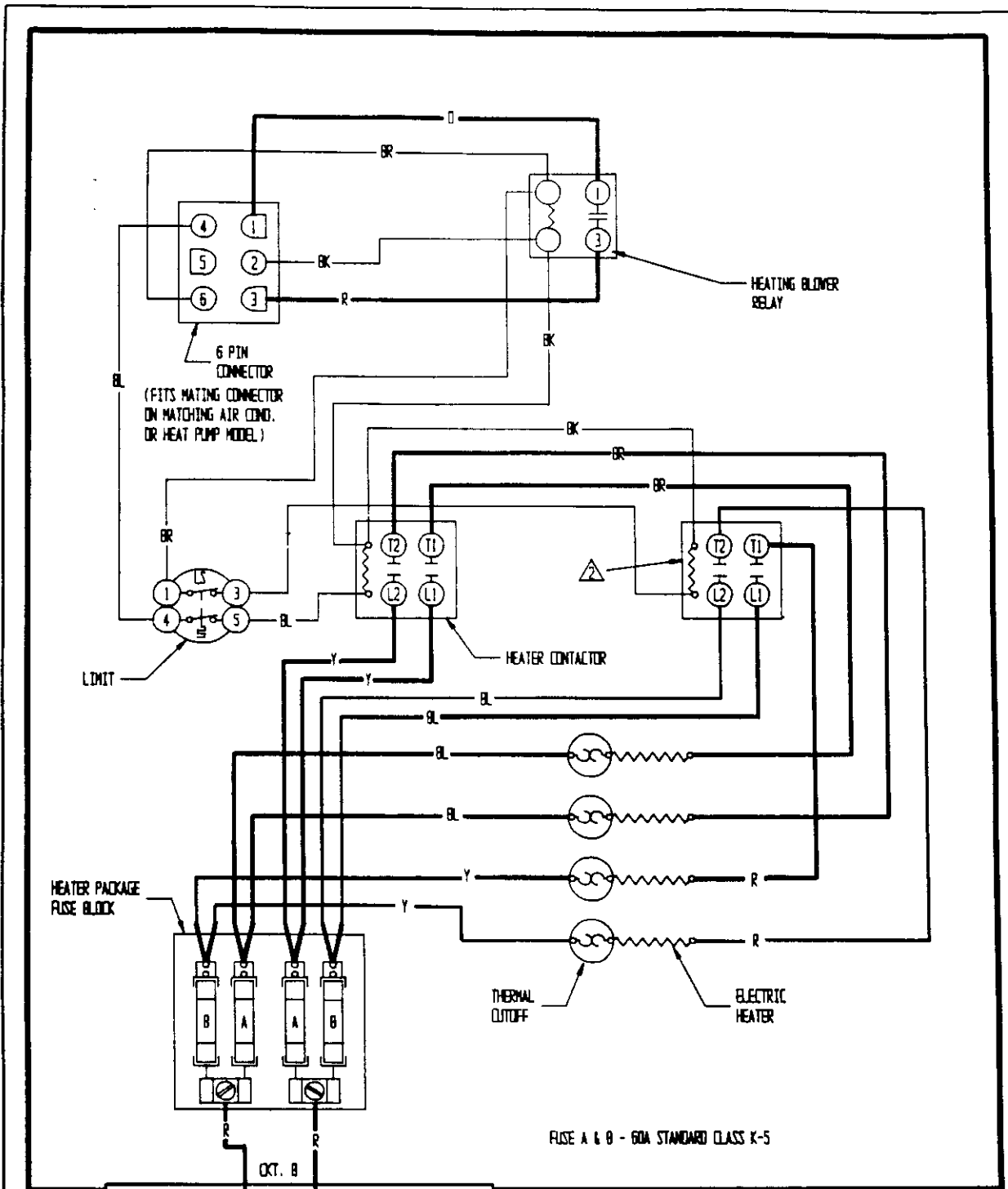
- ⚠ THIS HEATER PACKAGE CONSISTS OF THE FOLLOWING:
- (1) BASIC HEATER PACKAGE
 - (1) TERMINAL BLOCK (CAT. NO. ERB OR 11993)
 - (1) LISTED GROUND TERMINAL G-12 AL, G-14 CU

* SOME APPLICATION NOT U.L. LISTED

USE COPPER OR ALUMINUM WIRE

	FACTORY WIRING	FIELD WIRING
Low Voltage	_____	-----
High Voltage	_____	-----





FUSE A & B - 60A STANDARD CLASS K-5

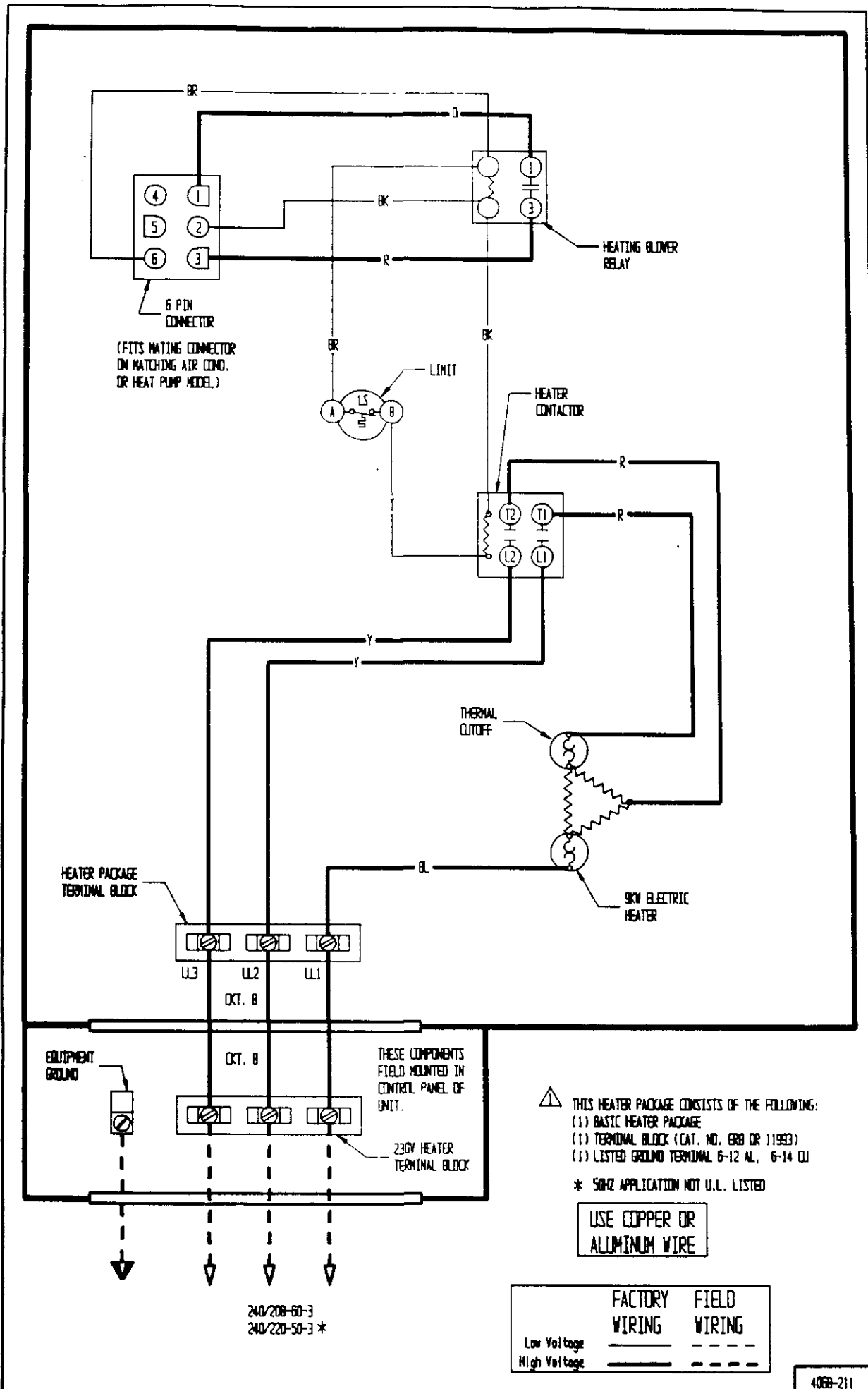
- ⚠ THIS HEATER PACKAGE CONSISTS OF THE FOLLOWING:
 - (1) BASIC HEATER PACKAGE
 - (1) TERMINAL BLOCK (CAT. NO. ER8 OR 11993)
 - (1) LISTED GROUND TERMINAL 6-12 AL, 6-14 CU

⚠ REFER TO THE HEAT PACKAGE INSTRUCTIONS FOR PROPER INSTALLATION. SECOND HEATER CONTACTOR OPERATES ONLY DURING EMERGENCY HEAT OR COMPRESSOR CUTOFF.

USE COPPER OR ALUMINUM WIRE * 50HZ APPLICATION NOT U.L. LISTED

	FACTORY WIRING	FIELD WIRING
Low Voltage	_____	-----
High Voltage	=====	-----

240/208-60-1
240/220-50-1 *



(FITS MATING CONNECTOR ON MATCHING AIR COND. OR HEAT PUMP MODEL.)

HEATING BLOWER RELAY

LIMIT

HEATER CONTACTOR

THERMAL CUTOFF

30W ELECTRIC HEATER

HEATER PACKAGE TERMINAL BLOCK

THESE COMPONENTS FIELD MOUNTED IN CONTROL PANEL OF UNIT.

- ⚠ THIS HEATER PACKAGE CONSISTS OF THE FOLLOWING:
- (1) BASIC HEATER PACKAGE
 - (1) TERMINAL BLOCK (CAT. NO. ER8 OR 11953)
 - (1) LISTED GROUND TERMINAL 6-12 AL, 6-14 CU

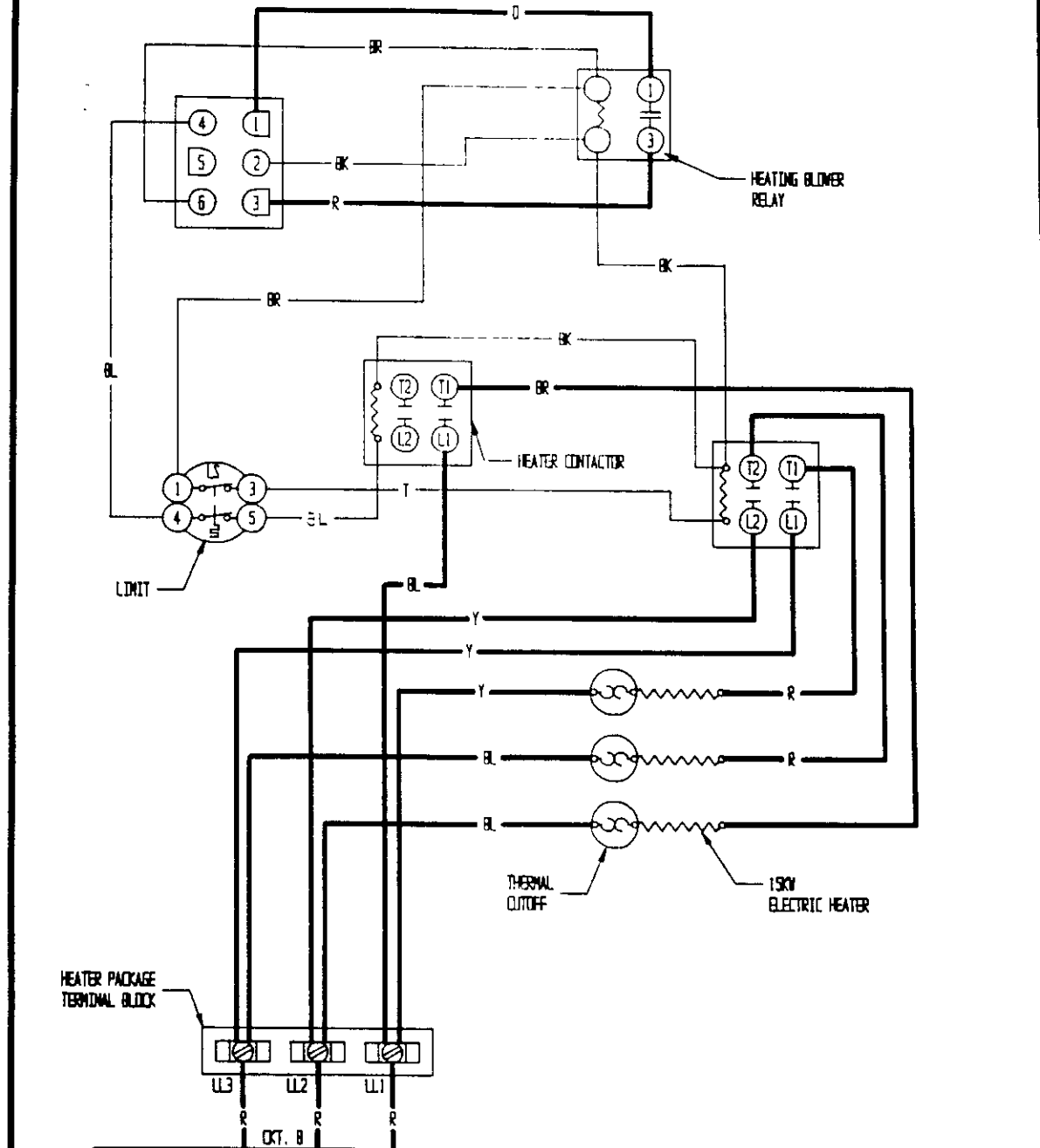
* 50HZ APPLICATION NOT U.L. LISTED

USE COPPER OR ALUMINUM WIRE

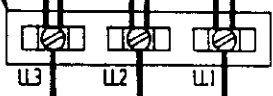
	FACTORY WIRING	FIELD WIRING
Low Voltage	—————	- - - - -
High Voltage	—————	- - - - -

240/208-60-3
240/220-50-3 *

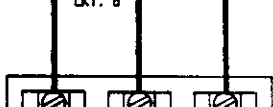
(FITS MATING CONNECTOR
ON MATCHING AIR COND.
OR HEAT PUMP MODEL.)



HEATER PACKAGE
TERMINAL BLOCK



EQUIPMENT
GROUND



THESE COMPONENTS
FIELD MOUNTED ON
CONTROL PANEL OF
UNIT.

230V HEATER
TERMINAL BLOCK

- ⚠ THIS HEATER PACKAGE CONSISTS OF THE FOLLOWING:
 - (1) BASIC HEATER PACKAGE
 - (1) TERMINAL BLOCK (CAT. NO. 588 OR 11993)
 - (1) LISTED GROUND TERMINAL 6-12 AL, 6-14 CU

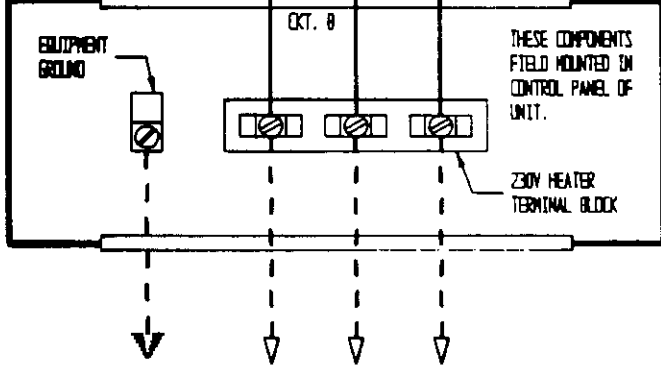
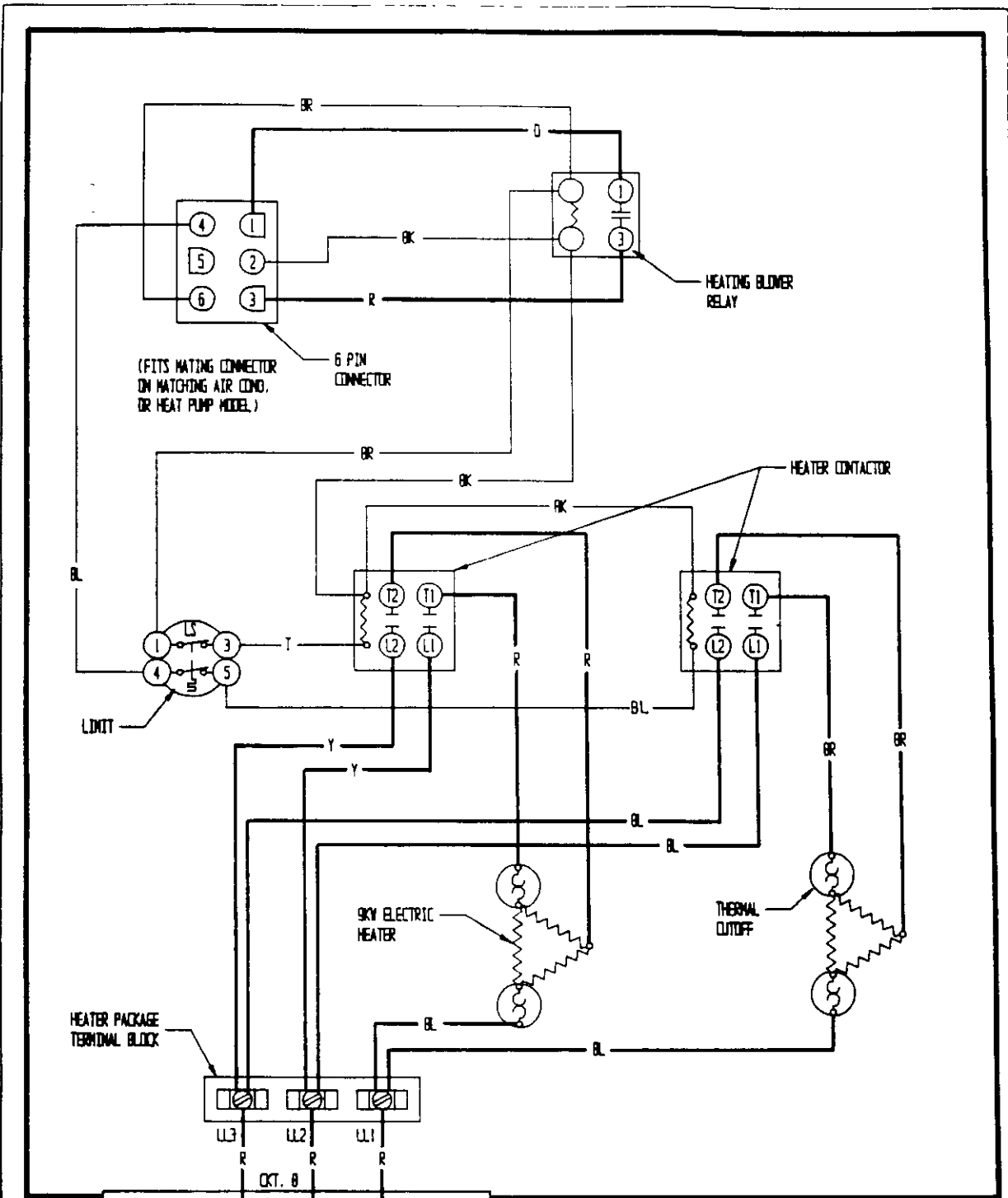
⚠ REFER TO THE HEAT PACKAGE INSTRUCTIONS FOR PROPER
INSTALLATION. SECOND HEATER CONTACTOR OPERATES ONLY
DURING EMERGENCY HEAT OR COMPRESSOR CUTOFF.

USE COPPER OR
ALUMINUM WIRE

* 50HZ APPLICATION NOT U.L. LISTED

	FACTORY WIRING	FIELD WIRING
Low Voltage	—————	-----
High Voltage	—————	-----

240/208-60-3
240/220-50-3 *



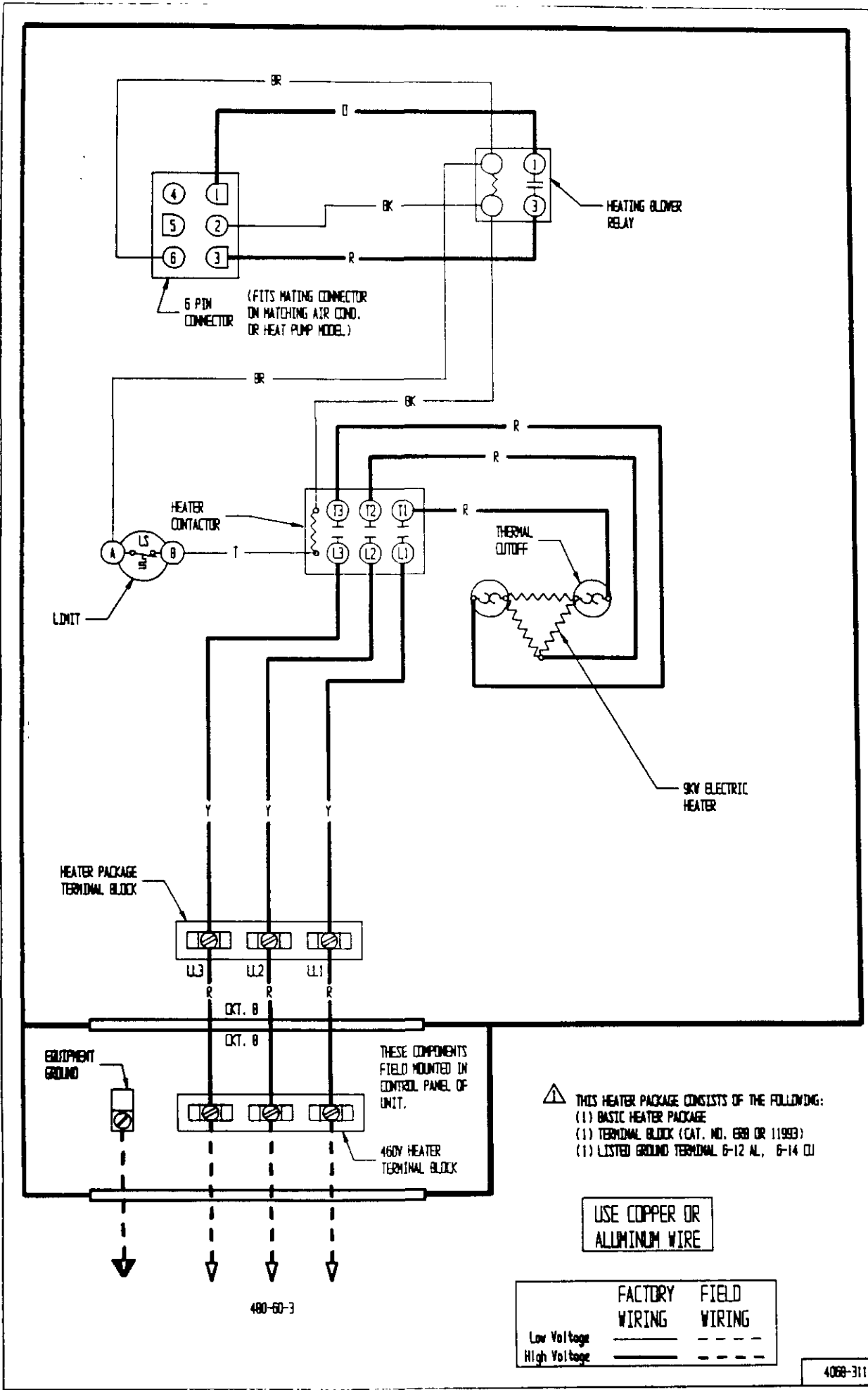
- ⚠ THIS HEATER PACKAGE CONSISTS OF THE FOLLOWING:
 - (1) BASIC HEATER PACKAGE
 - (1) TERMINAL BLOCK (CAT. NO. 688 OR 1198)
 - (1) LISTED GROUND TERMINAL 6-12 AL, 6-14 CU

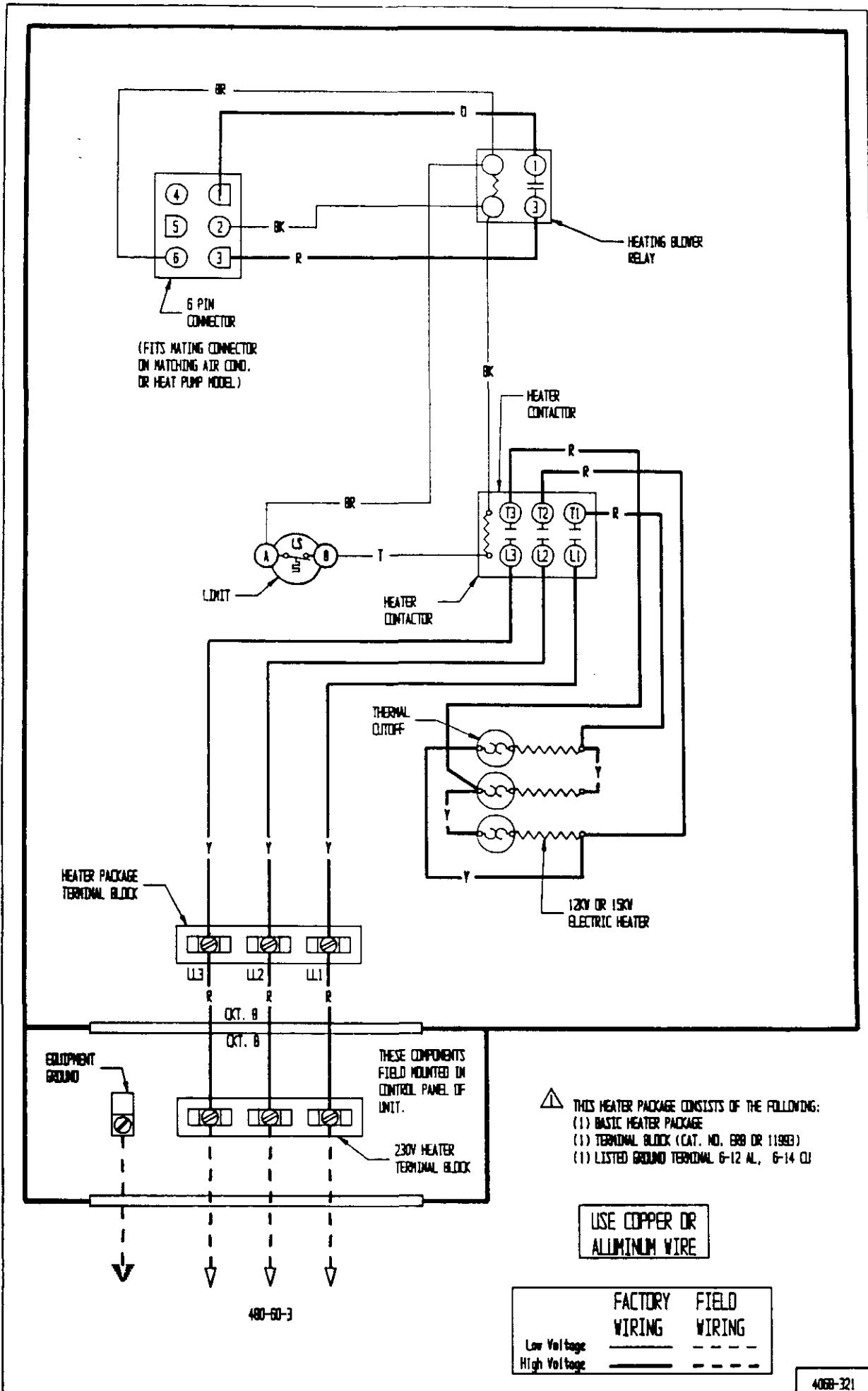
⚠ REFER TO THE HEATER PACKAGE INSTRUCTIONS FOR PROPER INSTALLATION. SECOND HEATER CONTACTOR OPERATES ONLY DURING EMERGENCY HEAT OR COMPRESSOR CUTOFF.

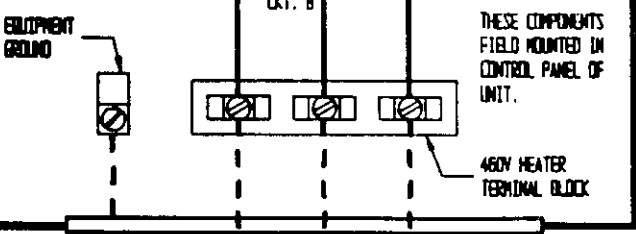
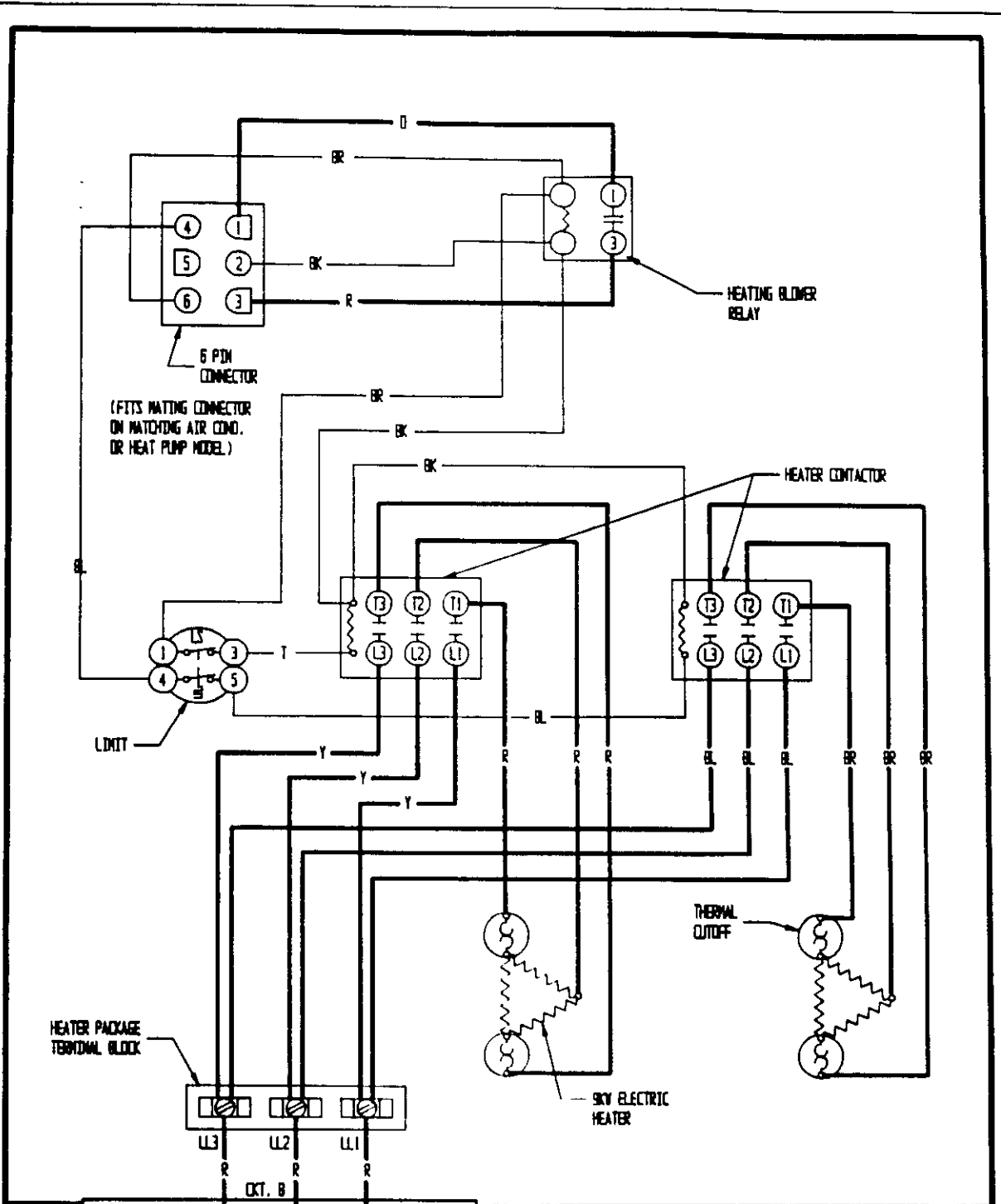
USE COPPER OR ALUMINUM WIRE * 50HZ APPLICATION NOT U.L. LISTED

	FACTORY WIRING	FIELD WIRING
Low Voltage	_____	-----
High Voltage	=====	-----

240/208-50-3
240/220-50-3 *







- ⚠ THIS HEATER PACKAGE CONSISTS OF THE FOLLOWING:
 - (1) BASIC HEATER PACKAGE
 - (1) TERMINAL BLOCK (CAT. NO. 690 OR 11993)
 - (1) LISTED GROUNDING TERMINAL 6-12 AL, 6-14 CU
- ⚠ REFER TO THE HEATER PACKAGE INSTRUCTIONS FOR PROPER INSTALLATION. SECOND HEATER CONTACTOR OPERATES ONLY DURING EMERGENCY HEAT OR COMPRESSOR CUTOFF.

USE COPPER OR ALUMINUM WIRE

	FACTORY WIRING	FIELD WIRING
Low Voltage	—————	- - - - -
High Voltage	—————	- - - - -

480-60-3