
INSTALLATION INSTRUCTIONS

WALL MOUNTED PACKAGE AIR CONDITIONERS

**MODEL:
WA121**



Bard Manufacturing Company
Bryan, Ohio 43506
Since 1914....Moving ahead just as planned.

Manual : 2100-234 F
Supersedes: 2100-234 E
File: Volume III Tab 16
Date: 09-20-01

CONTENTS

Getting Other Informations and Publications	1
Wall Mount General Information	2
Air Conditioner Wall Mount Model Nomenclature	2
Shipping Damage	5
General	5
Duct Work	5
Filters	5
Fresh Air Intake	6
Condensate Drain	6
Installation Instructions	7
Wall Mounting Information	7
Mounting the Unit	7
Wiring – Main Power	11
Wiring – Low Voltage Wiring	11

Figures

Figure 1	Unit Dimensions	3
Figure 2	Blower Damper Assembly	6
Figure 3	Mounting Instructions	8
Figure 3A	Electric Heat Clearance	8
Figure 4	Wall Mounting Instructions	9
Figure 5	Wall Mounting Instructions	9
Figure 6	Common Wall Mounting Instructions	10
Figure 7	Unit 24V Terminal Board	11
Figure 8	Start Up Label	13
Figure 9	Defrost Control Board	15
Figure 10	Fan Blade Setting Dimensions	18

Start Up	13
Important Installer Note	13
Service Hints	13
High Pressure Switch	13
Sequence of Operation	13
Compressor Control Module	13
Adjustments	14
Pressure Service Ports	14
Troubleshooting	15
Fan Blade Setting Dimension	15
Pressure Tables	16
Option Field Installed Accessories	16

Tables

Table 1	Electric Heat Table	2
Table 2	Electrical Specifications	4
Table 3	Thermostat Wire Size	12
Table 4	Wall Thermostats	12
Table 5	Troubleshooting	16
Table 6	Fan Blade Dimensions	18
Table 7	Suction Line Temperatures	18
Table 8	Recommended Operating Ranges	18
Table 9	Indoor Blower Performance	18
Table 10	Maximum ESP of Operation Electric Heat Only	19
Table 11	Pressure Table - Cooling	19
Table 12	Pressure Table - Heating	20
Table 13	Optional Accessories	20

GETTING OTHER INFORMATION AND PUBLICATIONS

These publications can help you install the air conditioner or heat pump. You can usually find these at your local library or purchase them directly from the publisher. Be sure to consult current edition of each standard.

National Electrical Code ANSI/NFPA 70

Standard for the Installation of ANSI/NFPA 90A
Air Conditioning and
Ventilating Systems

Standard for Warm Air Heating ANSI/NFPA 90B
and Air Conditioning Systems

Load Calculation for ACCA Manual J
Residential Winter and
Summer Air Conditioning

Duct Design for ACCA Manual D
Residential Winter and
Summer Air Conditioning
and Equipment Selection

For more information, contact these publishers:

ACCA **Air Conditioning Contractors of America**
1712 New Hampshire Avenue NW
Washington, DC 20009
Telephone: (202) 483-9370
Fax: (202) 234-4721

ANSI **American National Standards Institute**
11 West Street, 13th Floor
New York, NY 10036
Telephone: (212) 642-4900
Fax: (212) 302-1286

ASHRAE **American Society of Heating, Refrigerating
and Air Conditioning Engineers, Inc.**
1791 Tullie Circle, NE
Atlanta, GA 30329-2305
Telephone: (404) 636-8400
Fax: (404) 321-5478

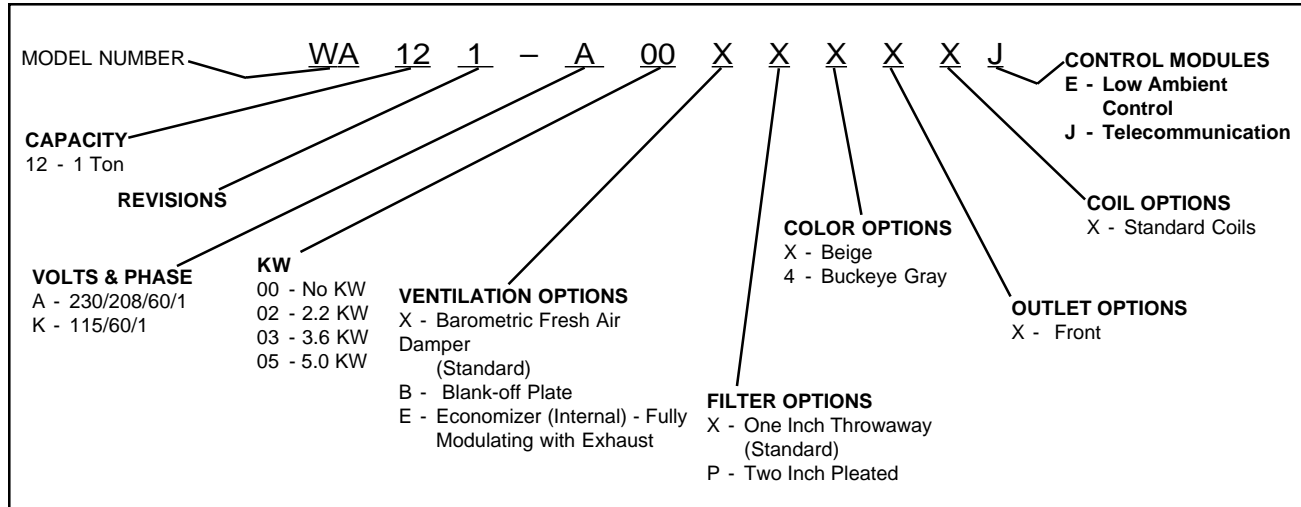
NFPA **National Fire Protection Association**
Batterymarch Park
P.O. Box 9101
Quincy, MA 02269-9901
Telephone: (800) 344-355
Fax: (617) 984-7057

Manufactured under the following U.S. patent numbers:

5,485,878; and 5,301,744

WALL MOUNT GENERAL INFORMATION

AIR CONDITIONER WALL MOUNT MODEL NOMENCLATURE



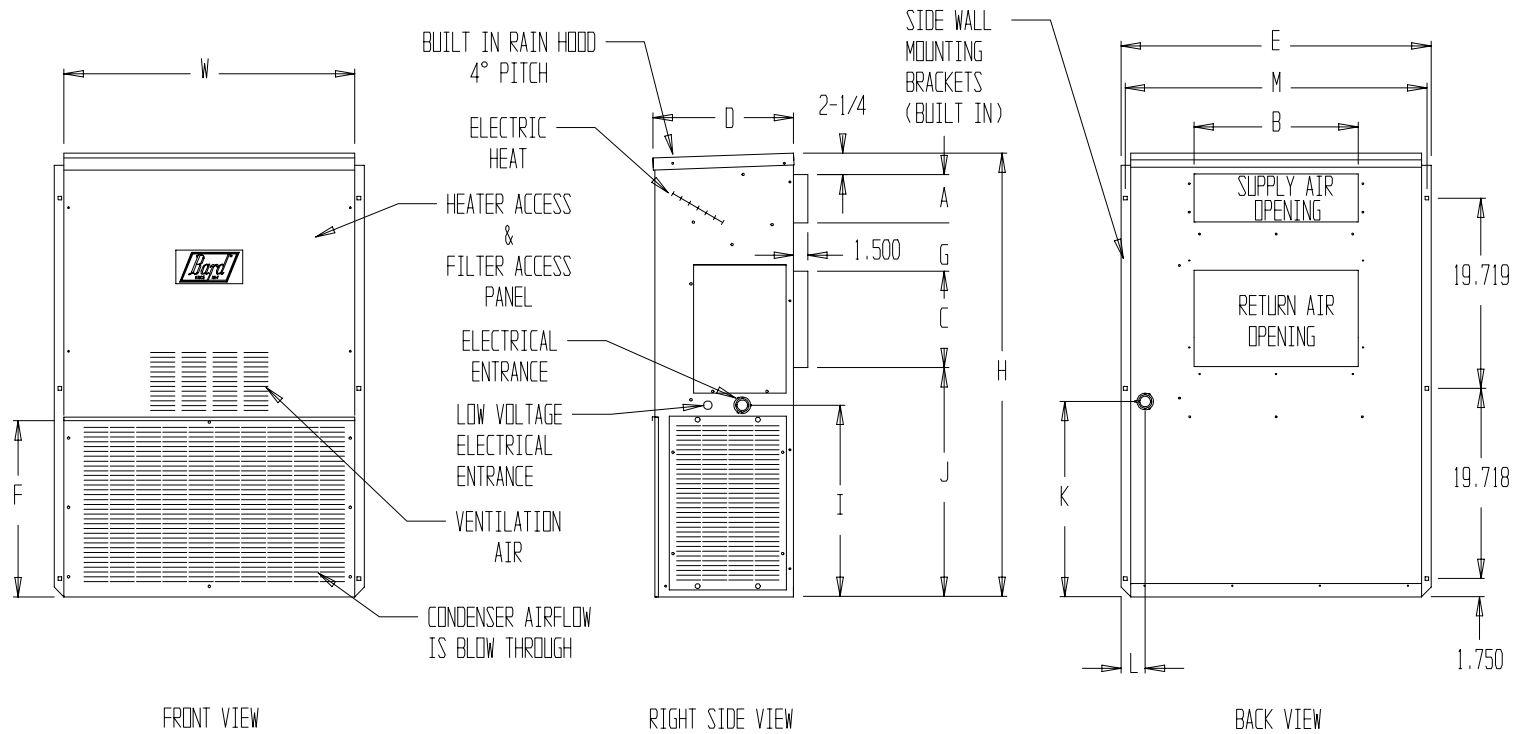
**TABLE 1
ELECTRIC HEAT TABLE**

Models	WA121-A				WA121-K		WA121-G			
	240V		208V		120V		240V		220V	
	A	① BTU	A	① BTU	A	① BTU	A	① BTU	A	① BTU
02					18.3	7,985	10.0	8,665	9.1	7,300
03	15.0	12,760	13.0	9,705			15.0	12,760	13.8	10,800
05	20.8	17,540	18.1	13,275						

① With blower watts included

**FIGURE 1
UNIT DIMENSIONS**

UNIT	WIDTH (W)	DEPTH (D)	HEIGHT (H)	SUPPLY		RETURN		E	F	G (*)	I	J (*)	K	L	M
				A	B	C	B								
WA121	30-1/8	14-5/8	46	5	17	10	17	32-1/8	18-1/4	2 OR 5	19-7/8	23-3/4 OR 26-3/4	20-1/4	2-1/2	31-1/4



(*) POSITION OF RETURN AIR FLANGES ARE INTERCHANGEABLE BETWEEN TWO POSITIONS.

FACTORY BUILT AT 5 INCHES

**TABLE 2
ELECTRICAL HEAT SPECIFICATIONS**

SINGLE CIRCUIT						
Models	Rated Volts and Phase	No. Field Power Circuits	③ Minimum Circuit Ampacity	① Maximum External Fuse or Circuit Breaker	② Field Power Wire Size	② Ground Wire Size
WA121-A00 A03 A05	230/208-1	1	8	15	14	14
		1	20	20	12	12
		1	27	30	10	10
WA121-K00 K02	115-1	1	17	25	10	10
		1	25	30	10	10
WA121-G00 G02 G03	220-50-1	1	7	15	14	14
		1	13	15	14	14
		1	20	20	12	12

① Maximum size of the time delay fuse or HACR type circuit breaker for protection of field wiring conductors.

② Based on 75° C copper wire. All wiring must conform to NEC and all local codes.

③ These “Minimum Circuit Ampacity” values are to be used for sizing the field power conductors. Refer to the National Electrical Code (latest revision), article 310 for power conductor sizing.

CAUTION: When more than one field power conductor circuit is run through one conduit, the conductors must be derated. Pay special attention to note 8 of table 310 regarding Ampacity Adjustment Factors when more than 3 conductors are in a raceway.

SHIPPING DAMAGE

Upon receipt of equipment, the carton should be checked for external signs of shipping damage. If damage is found, the receiving party must contact the last carrier immediately, preferably in writing, requesting inspection by the carrier’s agent.

GENERAL

The equipment covered in this manual is to be installed by trained, experienced service and installation technicians.

The refrigerant system is completely assembled and charged. All internal wiring is complete.

The unit is designed for use with or without duct work. Flanges are provided for attaching the supply and return air ducts.

These instructions explain the recommended method to install the air cooled self-contained unit and the electrical wiring connections to the unit.

These instructions and any instructions packaged with any separate equipment required to make up the entire air conditioning system should be carefully read before beginning the installation. Note particularly “Starting Procedure” and any tags and/or labels attached to the equipment.

While these instructions are intended as a general recommended guide, they do not supersede any national and/or local codes in any way. Authorities having jurisdiction should be consulted before the installation is made. See Page 1 for information on codes and standards.

Size of unit for a proposed installation should be based on heat loss calculation made according to methods of Air Conditioning Contractors of America (ACCA). The air duct should be installed in accordance with the Standards of the National Fire Protection Association for the Installation of Air Conditioning and Ventilating Systems of Other Than Residence Type, NFPA no. 90A, and Residence Type Warm Air Heating and Air Conditioning Systems, NFPA No. 90B. Where local regulations are at a variance with instructions, installer should adhere to local codes.

DUCT WORK

All duct work, supply and return must be properly sized for the design air flow requirement of the equipment. Air Conditioning Contractors of America (ACCA) is an excellent guide to proper sizing. All duct work or portions thereof not in the conditioned space should be properly insulated in order to both conserve energy and prevent condensation or moisture damage.

Refer to Table 9 for maximum static pressure available for duct design.

Design the duct work according to methods given by the Air Conditioning Contractors of America (ACCA). When duct runs through unheated spaces, it should be insulated with a minimum of one inch of insulation. Use insulation with a vapor barrier on the outside of the insulation. Flexible joints should be used to connect the duct work to the equipment in order to keep the noise transmission to a minimum.

Ducts through the walls must be insulated and all joints taped or sealed to prevent air or moisture entering the wall cavity.

Some installations may not require any return air duct. It is recommended that on this type of installation that a filter grille be located in the wall. Filters must be of sufficient size to allow a maximum velocity of 400 FPM.

NOTE: If no return air duct is used, applicable installation codes may limit this cabinet to installation only in a single story structure.

FILTERS

A one inch throwaway filter is supplied with each unit. The filter slides into position making it easy to service. This filter can be serviced from the outside by removing the service door. A two inch pleated filter is also available as an optional accessory. The internal filter brackets are adjustable to accommodate the 2 inch filter by bending the metal tabs holding the 1 inch filter down. There are two tabs on each side of the filter.

FRESH AIR INTAKE

All units are built with fresh air inlet slots punched in the service panel.

If the unit is equipped with a fresh air damper assembly, the assembly is shipped already attached to the unit. The damper blade is locked in the closed position. To allow the damper to operate, the maximum and minimum blade position stops must be installed. See Figure 2.

All capacity, efficiency and cost of operation information as required for Department of Energy "Energyguide" Fact Sheets is based upon the fresh air blank-off plate in place and is recommended for maximum energy efficiency.

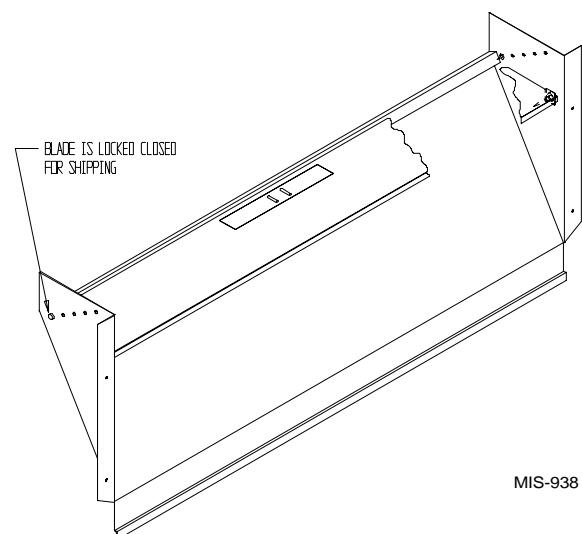
The blank-off plate is available upon request from the factory and is installed in place of the fresh air damper shipped with each unit.

CONDENSATE DRAIN

This unit employs an automatic condensate disposal system consisting of a base drain pan, drain valve and fan blade with slinger ring. A plastic drain hose extends from the evaporator drain pan at the top of the unit to the base drain pan at the bottom. At temperatures above 40°, the drain valve located between the condenser coil and fan shroud is closed allowing water to build up in the base to a height of 5/8" to 3/4". The fan blade with slinger then rotates in this water and throws the water onto the condenser coil. This disposes of the water by evaporating it on the hot condenser.

At temperatures below 40°, the drain valve opens draining the base pan and preventing freeze ups that could damage the coil or fan blade.

**FIGURE 2
FRESH AIR DAMPER**



MIS-938

INSTALLATION INSTRUCTIONS

WALL MOUNTING INFORMATION

1. These units are secured by wall mounting brackets which secure the unit to the outside wall surface at both sides.
2. On wood frame walls, the wall construction must be strong and rigid enough to carry the weight of the unit without transmitting any unit vibration.
3. Concrete block walls must be thoroughly inspected to insure that they are capable of carrying the weight of the installed unit.

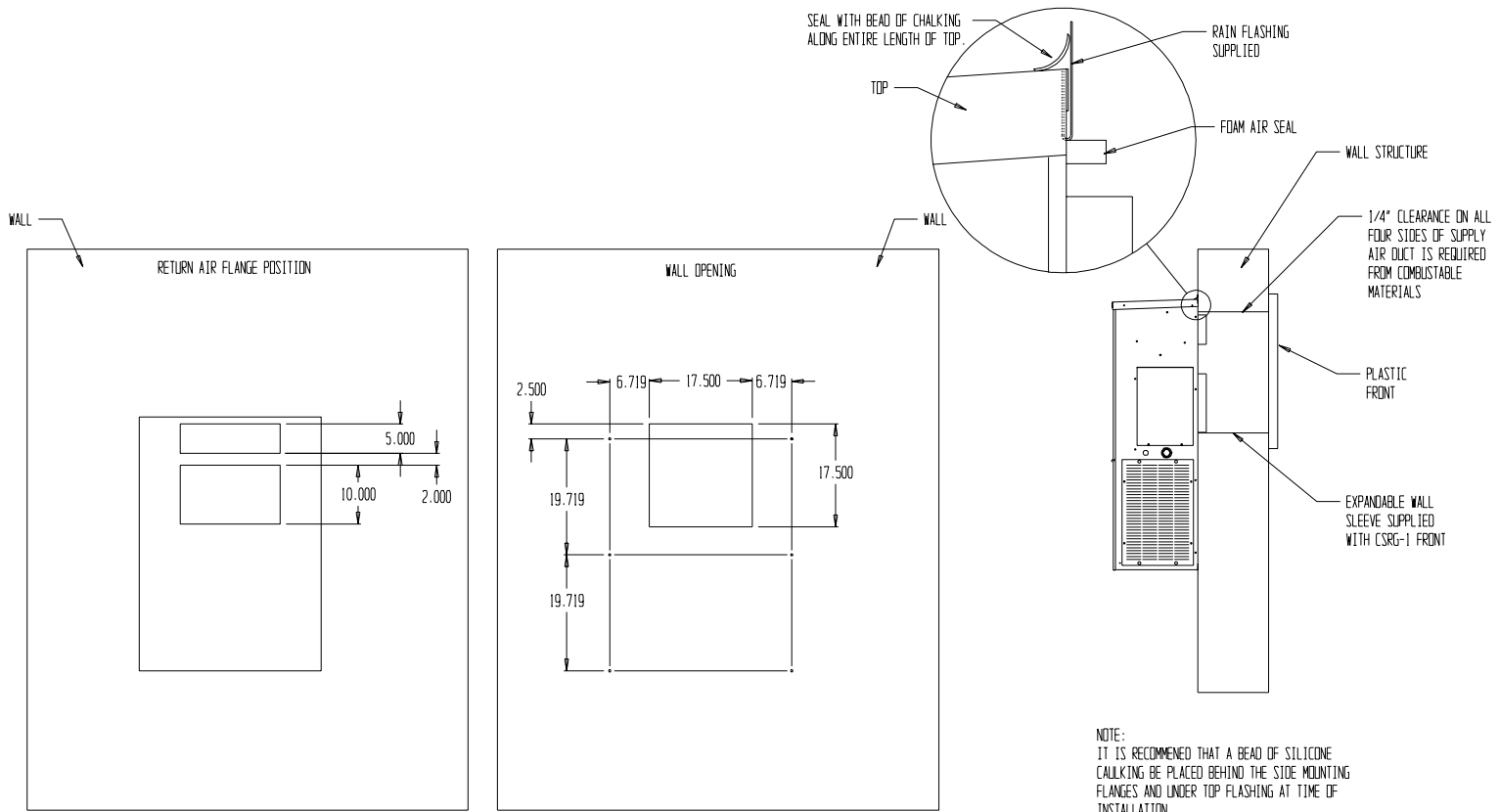
MOUNTING THE UNIT

1. Two holes, for the supply and return air openings, must be cut through the wall as shown in Figure 4.

NOTE: If the combination SUPPLY / RETURN Grille Assembly model CRSG-1 is to be used in conjunction with this unit a different size wall opening is required. See Figure 3.

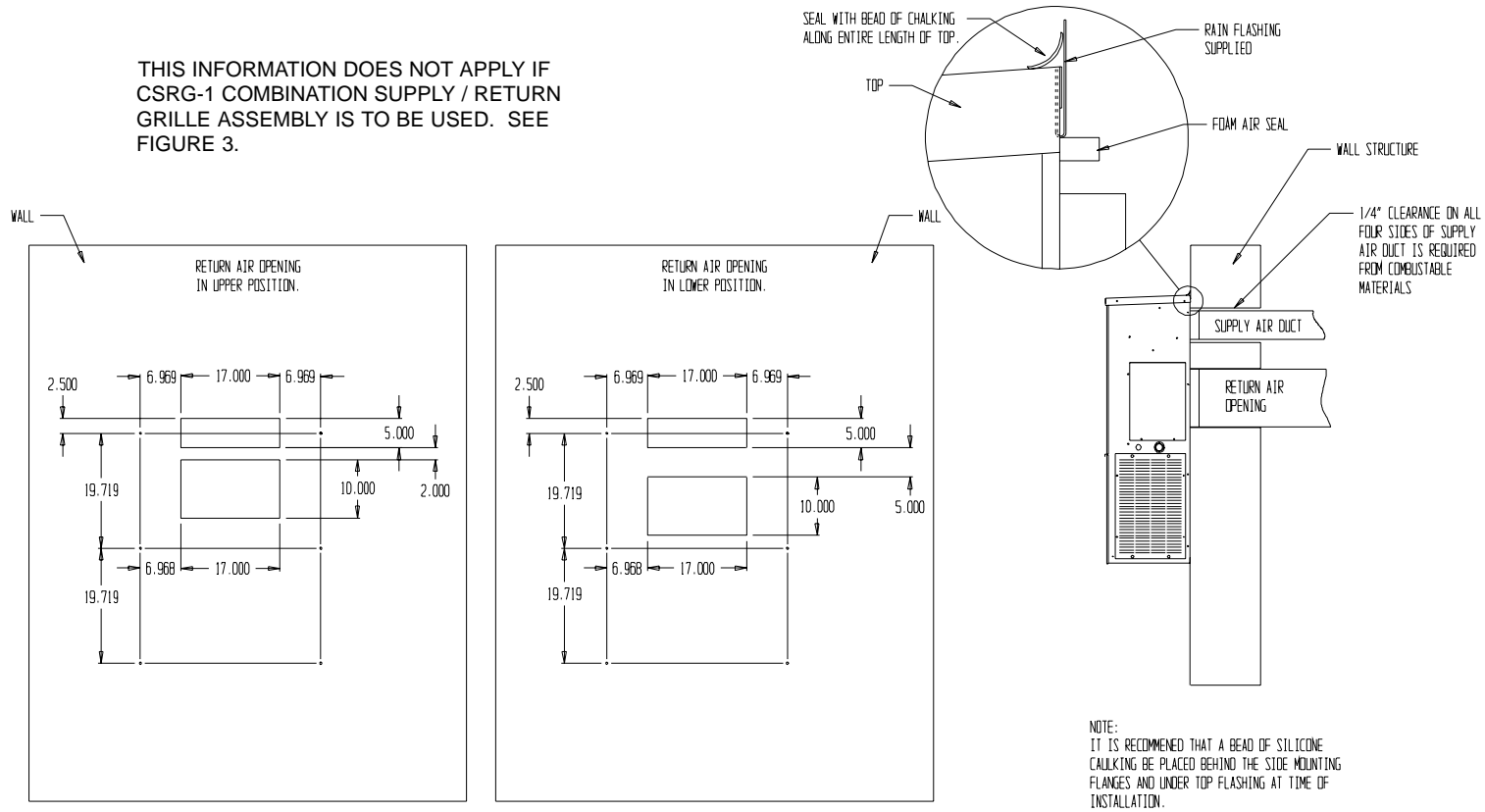
2. Locate and mark lab bolt locations and bottom mounting bracket location, if desired. See Figure 4.
3. Hook top rain flashing under back bend of top. Top rain flashing is shipped attached to the back of the unit on the right side.
4. Position unit in opening and secure with 5/16 lag bolts; use 7/8 inch diameter flat washers on the lab bolts.
5. Secure rain flashing to wall and caulk across entire length of top. See Figures 3 and 4.
6. For additional mounting rigidity, the return air and supply air frames or collars can be drilled and screwed or welded to the structural wall itself (depending upon wall construction). Be sure to observe required clearance if combustible wall.
7. On side by side installations, maintain a minimum of 20 inches clearance on right side to allow access to control panel and allow proper airflow to outdoor coil. Additional clearance may be required to meet local or national codes.

**FIGURE 3
MOUNTING INSTRUCTIONS WHEN USING
THE COMBINATION SUPPLY / RETURN GRILLE ASSEMBLY CSRG-1**



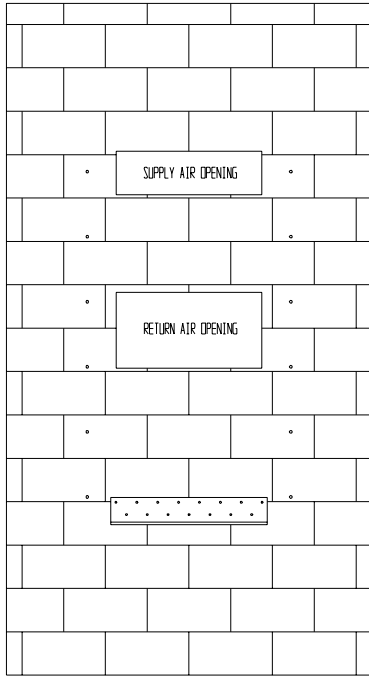
**FIGURE 4
 MOUNTING INSTRUCTIONS**

THIS INFORMATION DOES NOT APPLY IF CSRG-1 COMBINATION SUPPLY / RETURN GRILLE ASSEMBLY IS TO BE USED. SEE FIGURE 3.

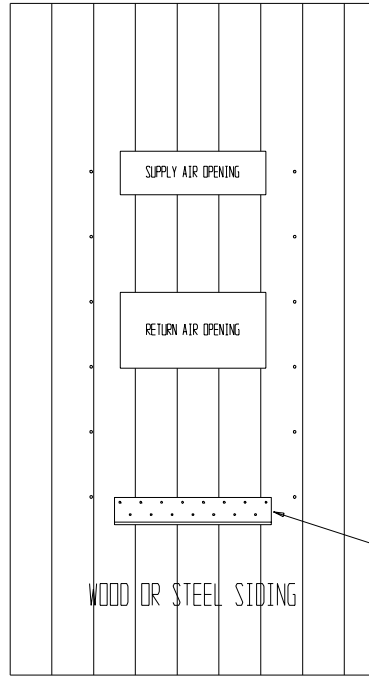


**FIGURE 5
WALL MOUNTING INSTRUCTIONS**

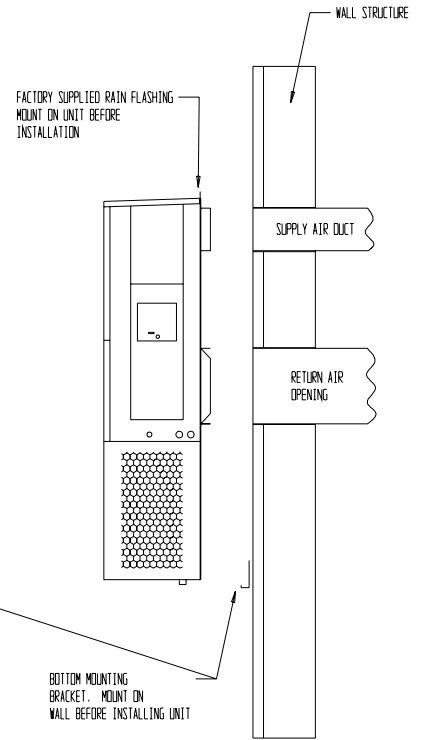
SEE FIGURE 4 - MOUNTING INSTRUCTIONS



CONCRETE BLOCK WALL INSTALLATION



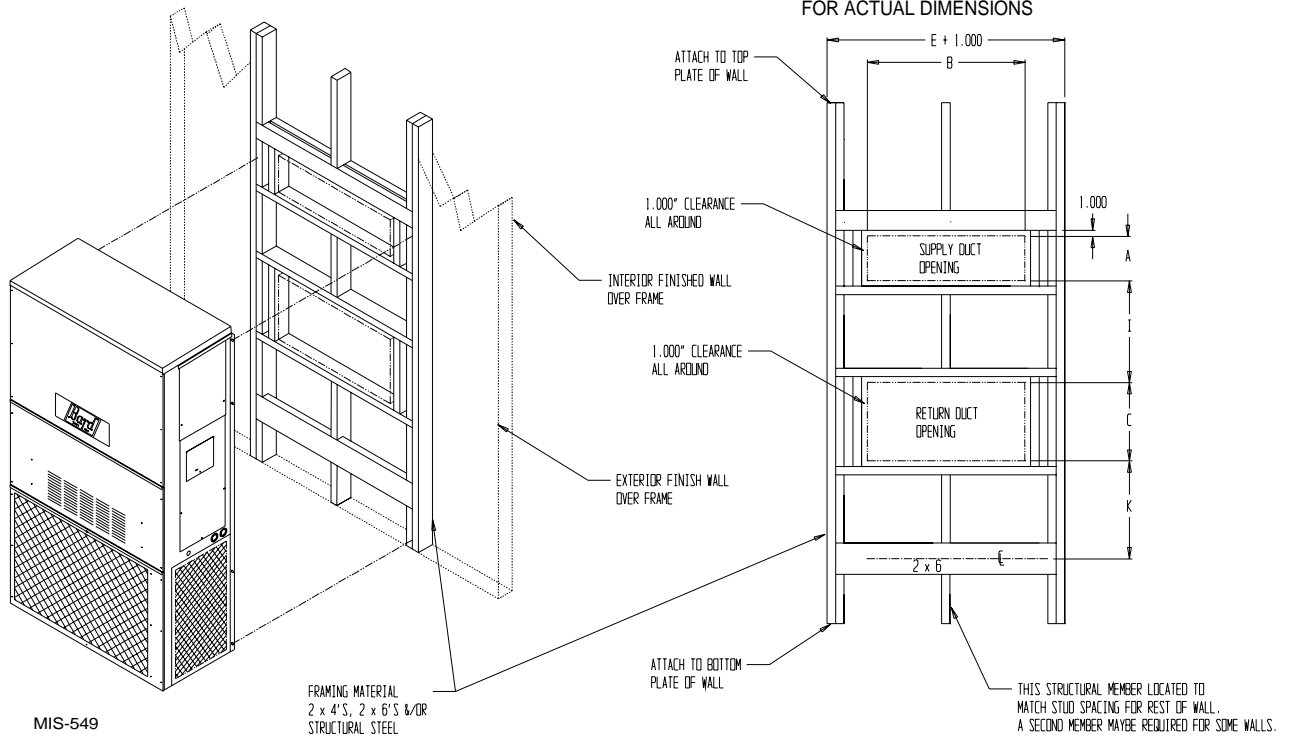
WOOD FRAME WALL INSTALLATION



MIS-548

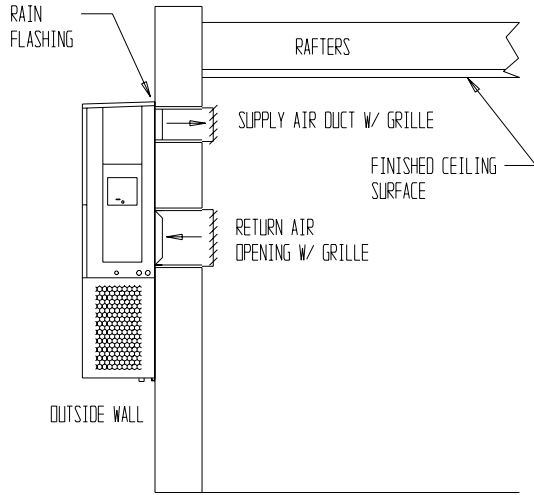
**FIGURE 6
WALL MOUNTING INSTRUCTIONS**

SEE UNIT DIMENSIONS, FIGURE 1,
FOR ACTUAL DIMENSIONS

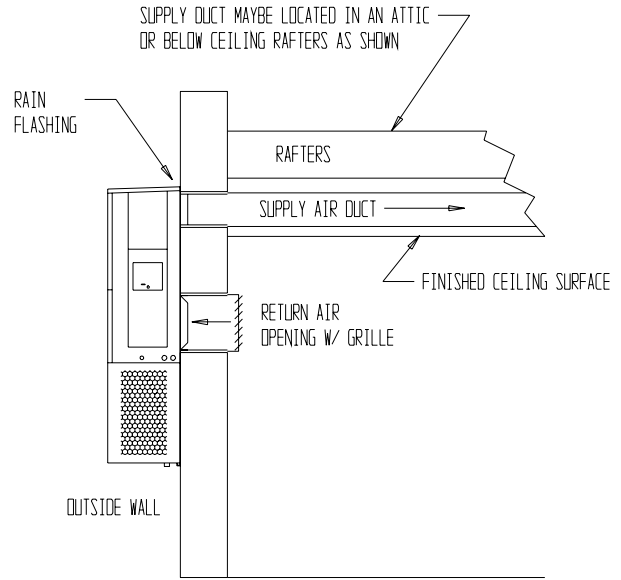


MIS-549

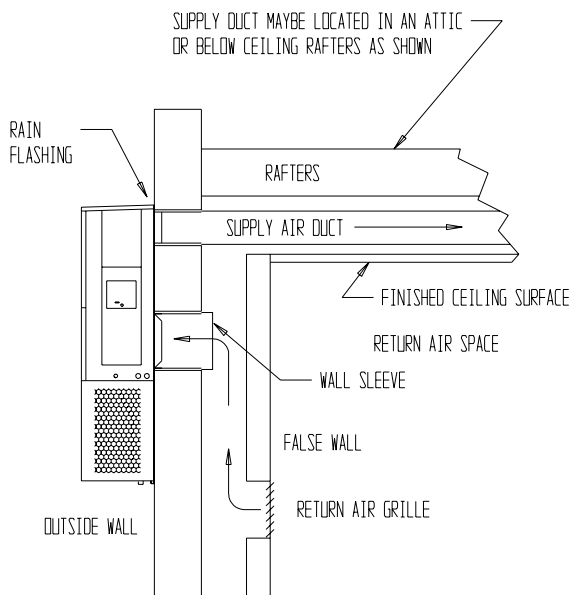
**FIGURE 7
COMMON WALL-MOUNTING INSTALLATIONS**



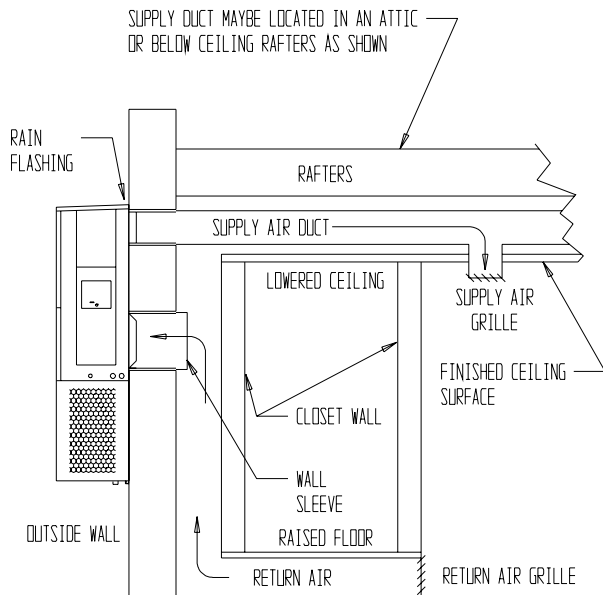
FREE AIR FLOW
NO DUCT



DUCTED SUPPLY
RETURN AT UNIT



FALSE WALL INSTALLATION



CLOSET INSTALLATION

MIS-550

WIRING – MAIN POWER

Refer to the unit rating plate for wire sizing information and maximum fuse or “HACR” type circuit breaker size. Each outdoor unit is marked with a “Minimum Circuit Ampacity”. This means that the field wiring used must be sized to carry that amount of current. Depending on the installed KW of electric heat, there may be two field power circuits required. If this is the case, the unit serial plate will so indicate. All models are suitable only for connection with copper wire. Each unit and/or wiring diagram will be marked “Use Copper Conductors Only”. These instructions **must be** adhered to. Refer to the National Electrical Code (NEC) for complete current carrying capacity data on the various insulation grades of wiring material. All wiring must conform to NEC and all local codes.

The electrical data lists fuse and wire sizes (75°C copper) for all models, including the most commonly used heater sizes. Also shown are the number of field power circuits required for the various models with heaters.

The unit rating plate lists a “Maximum Time Delay Relay Fuse” of “HACR” type circuit breaker that is to be used with the equipment. The correct size must be used for proper circuit protection and also to assure that there will be no nuisance tripping due to the momentary high starting current of the compressor motor.

WIRING – LOW VOLTAGE WIRING

230/208, 1 phase equipment use dual primary voltage transformers. All equipment leaves the factory wired on 240V tap. For 208V operation, reconnect from 240V to 208V tap. The acceptable operating voltage range for the 240 and 208V taps are:

<u>TAP</u>	<u>RANGE</u>
240	253 - 216
208	220 - 187

NOTE: The voltage should be measured at the field power connection point in the unit and while the unit is operating at full load (maximum amperage operating condition).

Five (5) wires should be run from thermostat subbase to the 24V terminal board in the unit. A five conductor, 18 gauge copper, color-coded thermostat cable is recommended. The connection points are shown in Figure 8.

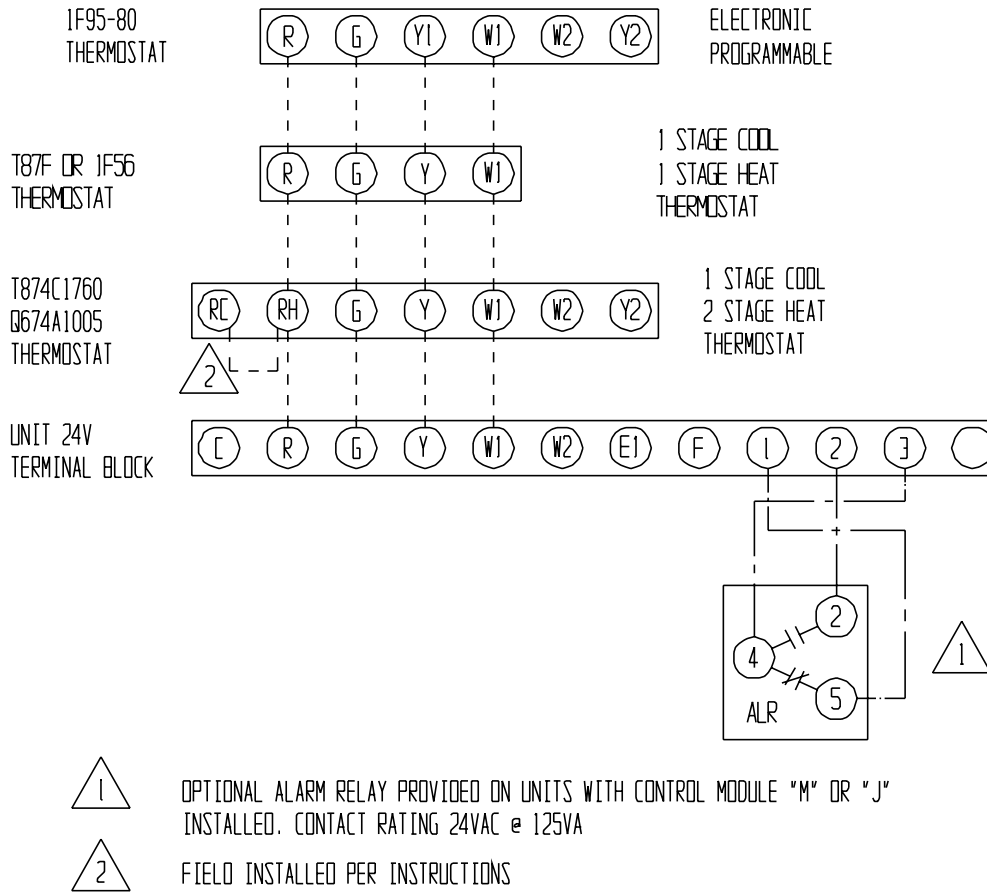
**TABLE 3
THERMOSTAT WIRE SIZE**

Transformer VA	FLA	Wire Gauge	Maximum Distance in Feet
40	2.3	20 Gauge	45
		18 Gauge	60
		16 Gauge	100
		14 Gauge	160
		12 Gauge	250

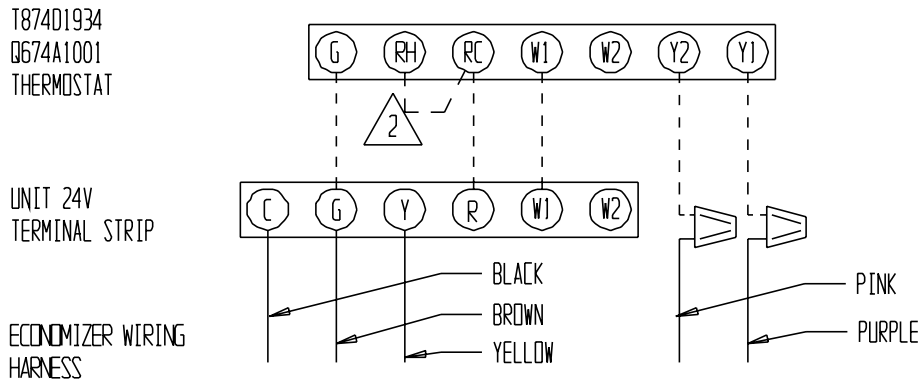
**TABLE 4
WALL THERMOSTAT AND SUBBASE COMBINATIONS**

Thermostat	Subbase	Predominate Features
8403-019 T874C1760	8404-012 Q674A1001	1 stage cool, 2 stage heat System: heat-auto-cool Fan: on-auto
8403-002 T87F3111	8404-003 Q539A1220	1 stage heat, 1 stage cool System: heat-off-cool Fan: on-auto
8403-009 1F56-318	----	2 stage heat, 1 tage cool System: heat-off-cool Fan: on-auto
8403-035 1F95-80	----	Programmable Electronic

**FIGURE 8
LOW VOLTAGE WIRING**



OPTIONAL ECONOMIZER LOW VOLTAGE WIRING



MIS-503A

IMPORTANT INSTALLER NOTE

For improved start up performance, wash the indoor coil with a dishwasher detergent.

SERVICE HINTS

1. Caution owner to maintain clean air filters at all times. Also not to needlessly close off supply and return air registers. This reduces air flow through the system which shortens equipment service life as well as increasing operation costs.
2. The unit is equipped with a high pressure cut out switch.
3. Check all power fuses or circuit breakers to be sure they are the correct rating.
4. Periodic cleaning of the outdoor coil to permit full and unrestricted airflow circulation is essential.

HIGH PRESSURE SWITCH

The WA121 models are supplied with a remote reset high pressure switch. If tripped, this pressure switch may be reset by turning the thermostat off then back on again.

SEQUENCE OF OPERATION

COOLING – Circuit R-Y makes at thermostat pulling in compressor contactor, starting the compressor and outdoor motor. The G (indoor motor) circuit is automatically completed on any call for cooling operation or can be energized by manual fan switch on subbase for constant air circulation. On a call for heating, circuit R-W1 make at the thermostat pulling in heat contact for the strip heat and blower operation.

COMPRESSOR CONTROL MODULE

The compressor control module is optional on the models covered by this manual. The compressor control is an anti-short cycle/lockout timer with high and low pressure switch monitoring and alarm relay output.

Adjustable Delay on Make and Break Timer

On initial power up or any time power is interrupted to the unit the *delay on make* period begins which will be 2 minutes plus 10% of the *delay on break* setting. When

the delay on make is complete and the high pressure switch (and low pressure switch if employed) is closed, the compressor contactor is energized. Upon shutdown the delay on break time starts and prevents restart until the delay on break and delay on make periods have expired.

During routine operation of the unit with no power interruptions the compressor will operate on demand with no delay.

High Pressure Switch and Lockout Sequence

If the high pressure switch opens, the compressor contactor will de-energize immediately. The lockout timer will go into a *soft lockout* and stay in soft lockout until the high pressure switch closes **and** the delay on break time has expired. If the high pressure switch opens again in this same operating cycle the unit will go into manual lockout condition and the alarm relay circuit will energize. Recycling the wall thermostat resets the manual lockout.

Low Pressure Switch, Bypass and Lockout Sequence

If the low pressure switch opens for more than 120 seconds, the compressor contactor will de-energize and go into a soft lockout. Regardless the state of the low pressure switch, the contactor will reenergize after the delay on make time delay has expired. If the low pressure switch remains open, or opens again for longer than 120 seconds the unit will go into manual lockout condition and the alarm relay circuit will energize. Recycling the wall thermostat resets the manual lockout.

Alarm Relay Output

Alarm terminal is output connection for applications where alarm relay is employed. This terminal is powered whenever compressor is locked out due to HPC or LPC sequences as described.

NOTE: Both high and low pressure switch controls are inherently automatic reset devices. The high pressure switch and low pressure switch cut out and cut in settings are fixed by specific air conditioner or heat pump unit model. The lockout features, both soft and manual, are a function of the Compressor Control Module.

ADJUSTMENTS

Adjustable Delay on Make and Delay on Break Timer

The potentiometer is used to select Delay on Break time from 30 seconds to 5 minutes. Delay of Make (DOM) timing on power up and after power interruptions is equal to 2 minutes plus 10% of Delay of Break (DOB) setting:

0.5 minute (30 seconds)	DOB = 123 second	DOM
1.0 minute (60 seconds)	DOB = 126 second	DOM
2.0 minute (120 seconds)	DOB = 132 second	DOM
3.0 minute (180 seconds)	DOB = 138 second	DOM
4.0 minute (240 seconds)	DOB = 144 second	DOM
5.0 minute (300 seconds)	DOB = 150 second	DOM

During routine operation of the unit with no power interruptions the compressor will operate on demand with not delay.

Typical Settings for Dual Unit Installation:

Unit No. 1: DOB set at 2 minutes, and DOM is 132 seconds.

Unit No. 2: DOB set at 4 minutes, and DOM is 144 seconds.

PRESSURE SERVICE PORTS

High and low pressure service ports are installed on all units so that the system operating pressures can be observed. Pressure chart can be found later in the manual covering all models. It is imperative to match the correct pressure chart to the unit by model number.

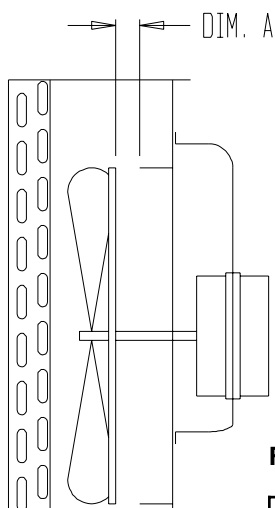
TROUBLESHOOTING

FAN BLADE SETTING DIMENSIONS

Show in Figure 9 is the correct fan blade setting dimension for proper air delivery across the outdoor coil.

Any service work requiring removal or adjustment in the fan and/or motor area will require that the dimension below be checked and blade adjusted in or out on the motor shaft accordingly.

**FIGURE 9
FAN BLADE SETTING DIMENSION**



**TABLE 5
FAN BLADE DIMENSION**

Model	Dimension A
WA121	1/2"

REFRIGERANT CHARGE

The correct system R-22 charge is shown on the unit rating plate. Optimum unit performance will occur with a refrigerant charge resulting in a suction line temperature (6" from compressor as shown in Table 6).

**TABLE 6
SUCTION LINE TEMPERATURE**

Model	Rated Airflow	95 OD Temperature	82 OD Temperature
WA121	400	51 - 56	65 - 67

The suction line temperatures in Table 6 are based upon 80° F dry bulb / 67° F wet bulb (50% R.H.) temperature and rated airflow across the evaporator during cooling cycle.

**TABLE 7
INDOOR BLOWER
PERFORMANCE
CFM @ 230V**

E.S.P. in H ₂ O	WA121
	230V
	Dry / Wet
.0	530 / 500
.1	485 / 460
.2	440 / 425
.3	390 / 375
.4	325 / 300

**TABLE 8
RATED CFM AND ESP
RECOMMENDED AIRFLOW RANGE**

Model	Rated CFM*	Rated ESP*	Recommended Airflow Range
WA121	400	.25	500 - 300

* Rated CFM and ESP on high speed tap.

**TABLE 9
MAXIMUM ESP OF OPERATION
ELECTRIC HEAT ONLY**

Model	ESP
WA121-A00	.35
A03	.35
A05	.35
WA121-K00	.35
K02	.35
WA121-G00	.35
G02	.35
G03	.35

Values shown are for units equipped with STD 1" throwaway filters. Derate ESP by .15 for 2" pleated filters.

**TABLE 10
PRESSURE TABLE**

COOLING

Air Temperature Entering Outdoor Coil °F

Model	Return Air Temperature	Pressure	75°	80°	85°	90°	95°	100°	105°	100°	115°
WA121	75 deg. DB 62 deg. WB	Low Side	72	74	76	79	81	83	86	88	91
		High Side	187	201	216	232	248	265	282	300	319
	80 deg. DB 67 deg. WB	Low Side	76	79	82	84	87	90	92	95	97
		High Side	192	207	222	238	255	272	290	309	328
	85 deg. DB 72 deg. WB	Low Side	81	85	88	91	94	97	99	102	104
		High Side	198	214	230	247	264	282	300	319	339

**TABLE 11
OPTIONAL FIELD INSTALLED ACCESSORIES**

Model	Description	WA121
BOP-1A	Blank Off Plate	X
BFAD-1	Barometric Fresh Air Damper	X
EIFM-1	Economizer with Exhaust	X
CMA-6	Low Ambient Control	X
CMA-20	LPC + TDR + LAC	X