



Heating & Cooling Products

# INSTALLATION INSTRUCTIONS

**MODEL**

**MFADWAG-3**

**MOTORIZED FRESH AIR DAMPER**

**BARD MANUFACTURING COMPANY**  
**Bryan, Ohio 43506**

*Since 1914...Moving ahead, just as planned.*

Manual:	2100-252A
Supersedes:	2100-252
File:	Volume III, Tab 19
Date:	07-31-97

# Contents

<b>Description .....</b>	<b>3</b>
<b>Application .....</b>	<b>3</b>
<b>Installation .....</b>	<b>4</b>
<b>Maintenance .....</b>	<b>4</b>
<b>Wiring Diagram .....</b>	<b>4</b>

Manufactured under U.S. Patent Number 5,301,744.  
Other patents pending.

Copyright July 1997  
Bard Manufacturing Company  
Bryan, Ohio 43506

## DESCRIPTION

The motorized fresh air damper MFADWAG-3 is an externally mounted damper designed to bring in up to 400 CFM fresh air. The damper blade is powered by a 24 VAC motor with spring return on power loss. The damper is powered open anytime the unit blower motor is energized.

## APPLICATION

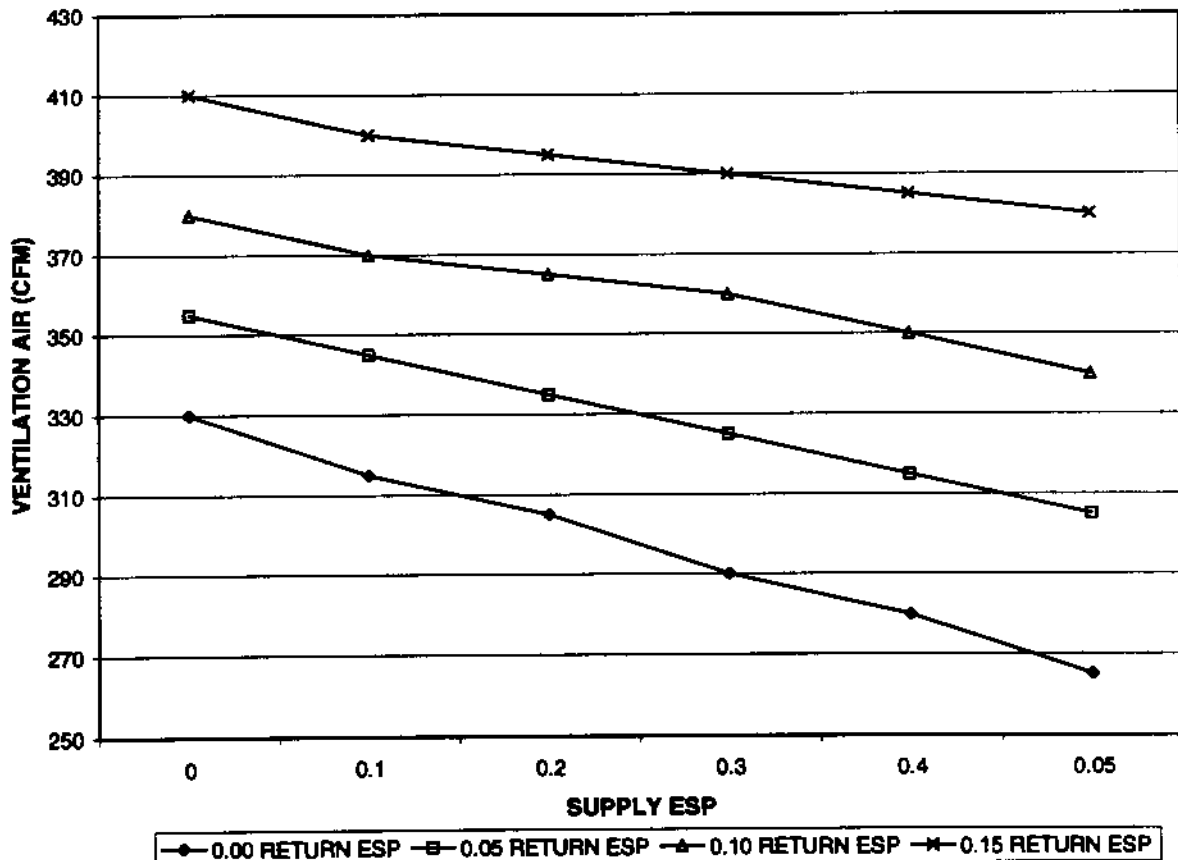
The amount of outside fresh air brought into the structure is dependent on the supply and return duct static pressure present in the duct system. See chart below for outside ventilation air that will be supplied at different duct static pressures.

For free blow applications with return air filter grille and supply grille, use 0.00 supply air static pressure and 0.10 return air static pressure.

MFADWAG-3 suitable for use with:

WAG30D-A54C	WAG36D-C54X	WAG30E-A54C	WAG36E-C54X
WAG30D-A54X	WAG40D-A54C	WAG30E-A54X	WAG40E-A54C
WAG36D-A54C	WAG40D-A54X	WAG36E-A54C	WAG40E-A54X
WAG36D-A54X	WAG40D-B54C	WAG36E-A54X	WAG40E-B54C
WAG36D-B54C	WAG40D-B54X	WAG36E-B54C	WAG40E-B54X
WAG36D-B54X	WAG40D-C54C	WAG36E-B54X	WAG40E-C54C
WAG36D-C54C	WAG40D-C54X	WAG36E-C54C	WAG40E-C54X

**MFADWAG-3 FRESH AIR**



## INSTALLATION

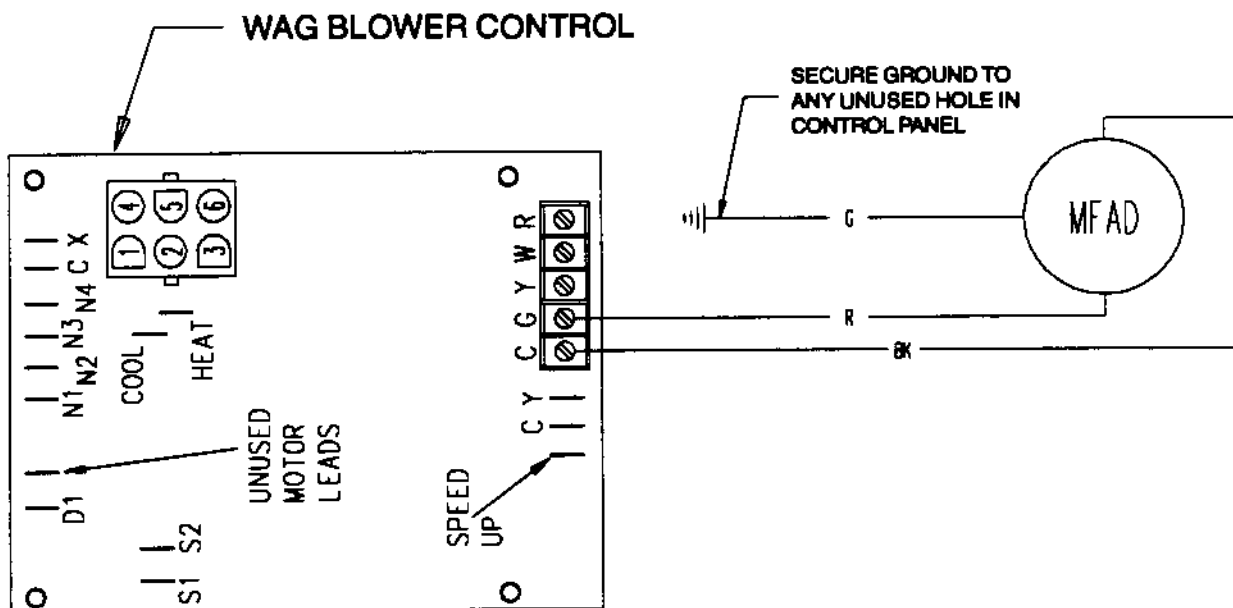
- STEP 1. Disconnect all power to wall mount unit before installing MFAD.
- STEP 2. Remove service door and barometric fresh air damper and discard. See FIGURE 1.
- STEP 3. Route wires as shown in FIGURE 2 into unit control panel area.
- STEP 4. Connect black wire to C terminal low voltage block. Connect red wire to G terminal of low voltage block. Connect ground wire to control panel as shown with screw provided. (See wiring diagram below.)
- STEP 5. Use a self drilling screw and cable clamp provided to secure wires in position.
- STEP 6. Install new service door with MFADWAG-3 on WAG. Plug in wiring harness before securing. See FIGURE 3.
- STEP 7. Check MFAD for proper operation. MFAD should open whenever the blower is energized.

## MAINTENANCE

The only maintenance required is to clean the washable filter regularly. Remove filter restraint angle. Slide filter out and wash in warm soapy water. Shake out excess water and reinstall. See FIGURE 4.

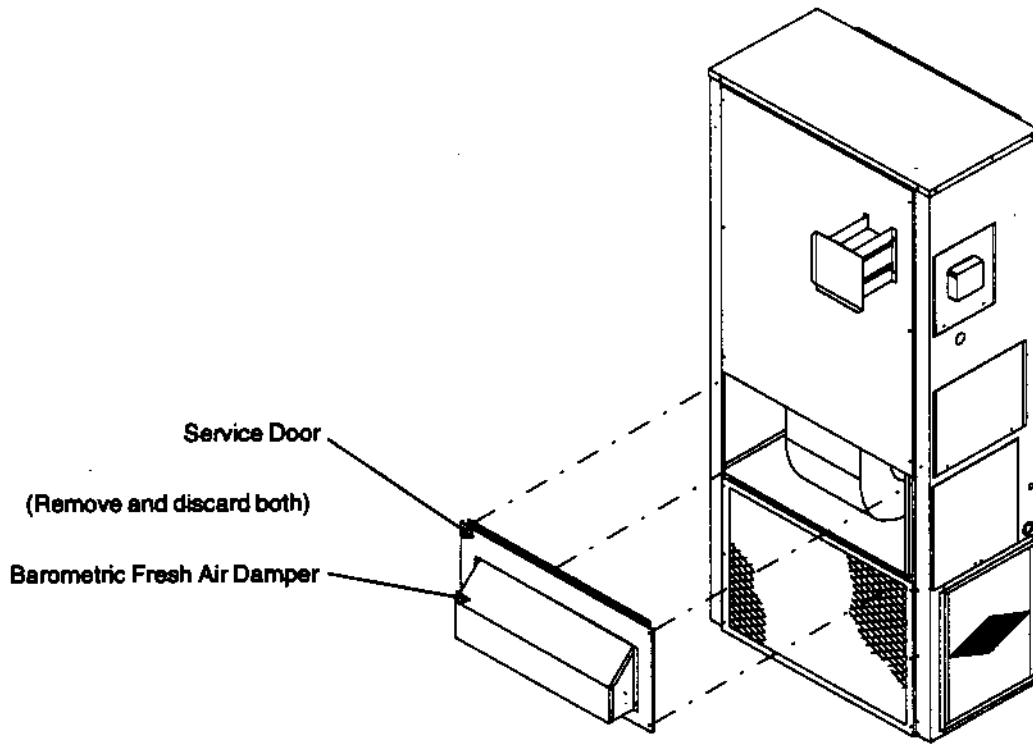
## WIRING DIAGRAM

Wiring Diagram of the MFADWAG-3 Fresh Air Damper and Connections to A/C Unit



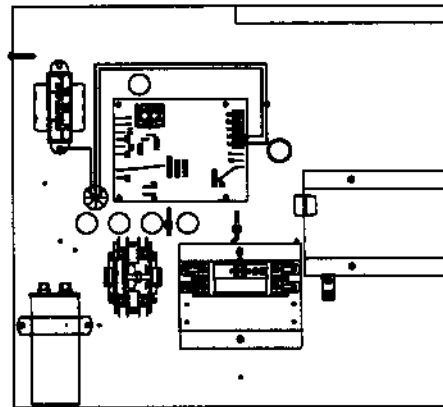
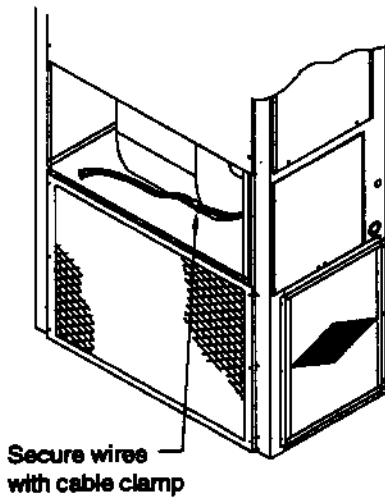
MIB-734

FIGURE 1



MIS-730

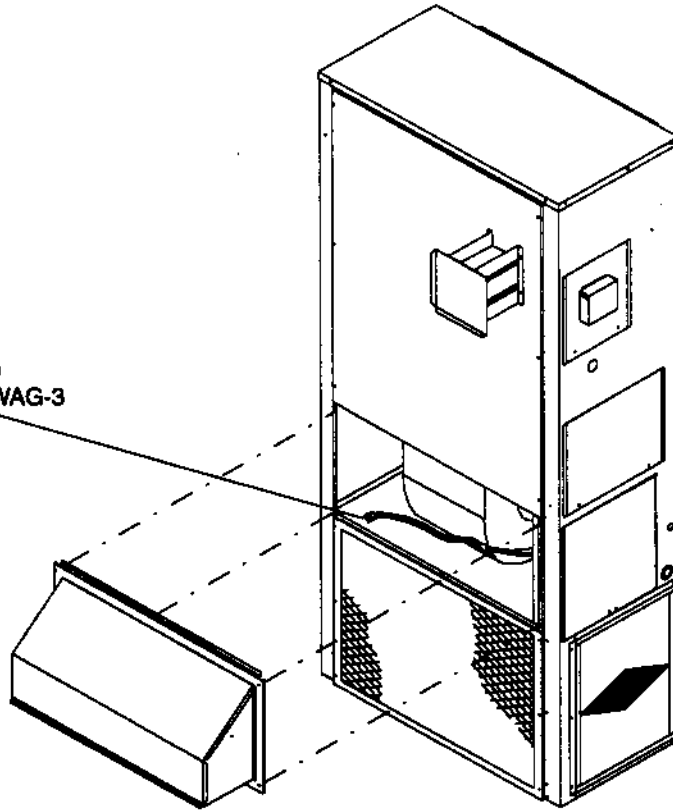
FIGURE 2



MIS-731

FIGURE 3

Plug 24V wiring harness into mating connector on MFADWAG-3

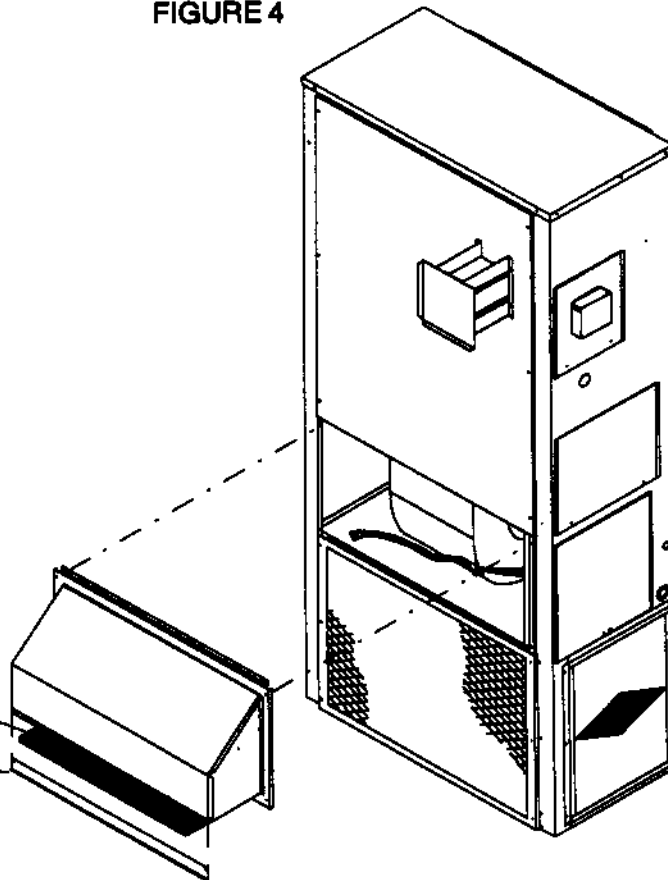


MIS-732

FIGURE 4

Washable Fresh Air Filter

Filter Restraint Angle



MIS-731