

INSTALLATION INSTRUCTIONS

MODEL

MFADWAG-3

MOTORIZED FRESH AIR DAMPER

MANUAL: 2100-252 REV.
SUPERSEDES: REV.
FILE: Vol. III, Tab 19
DATE: 12-01-94

Contents

DESCRIPTION	3
APPLICATION	3
INSTALLATION.....	4
MAINTENANCE	4
WIRING DIAGRAM	4

Manufactured under U.S. Patent Number 5,301,744.
Other patents pending.

Copyright December 1994
Bard Manufacturing Company
Bryan, Ohio 43506

DESCRIPTION

The motorized fresh air damper MFADWAG-3 is an externally mounted damper designed to bring in up to 400 CFM fresh air. The damper blade is powered by a 24 VAC motor with spring return on power loss. The damper is powered open anytime the unit blower motor is energized.

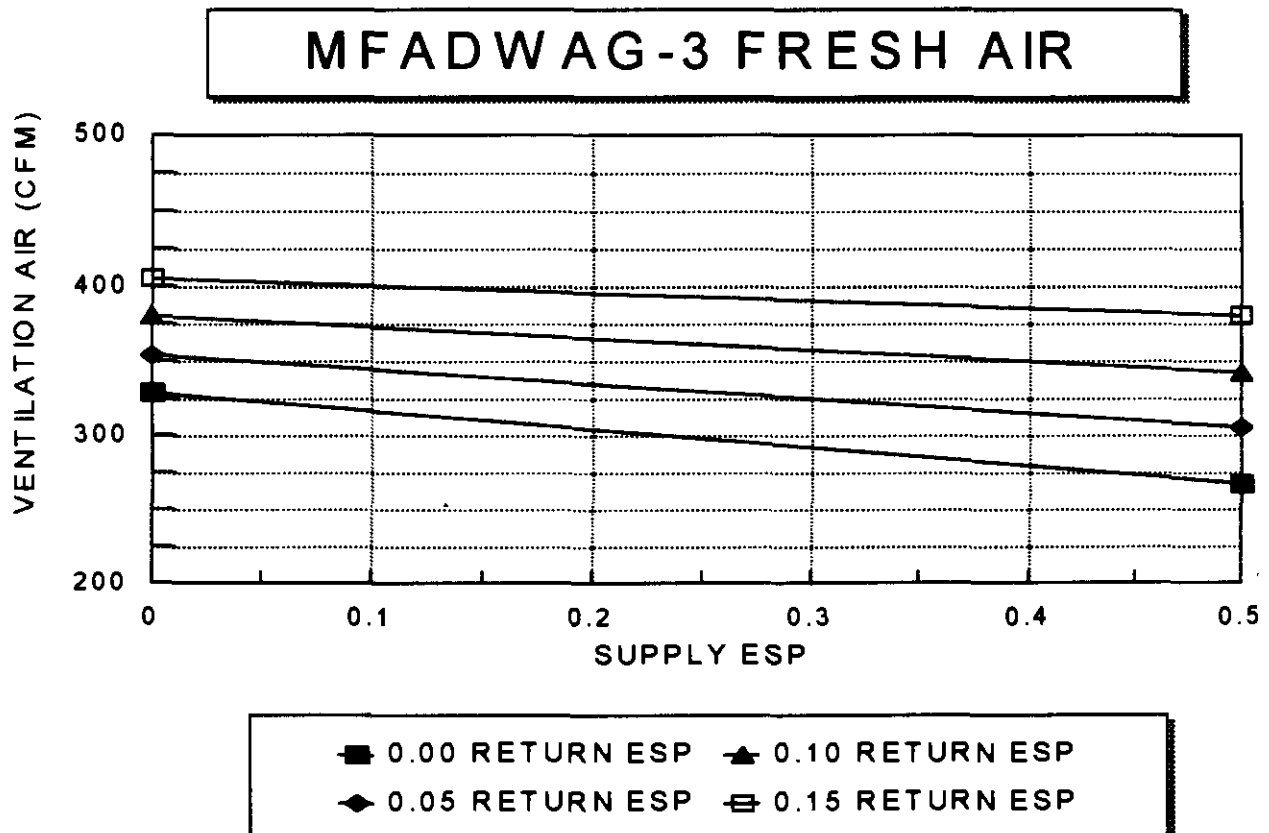
APPLICATION

The amount of outside fresh air brought into the structure is dependent on the supply and return duct static pressure present in the duct system. See chart below for outside ventilation air that will be supplied at different duct static pressures.

For free blow applications with return air filter grille and supply grille, use 0.00 supply air static pressure and 0.10 return air static pressure.

MFADWAG-3 suitable for use with:

WAG30B-A54C	WAG36B-B54X	WAG40B-B54C
WAG30B-A54X	WAG36B-C54C	WAG40B-B54X
WAG36B-A54C	WAG36B-C54X	WAG40B-C54C
WAG36B-A54X	WAG40B-A54C	WAG40B-C54X
WAG36B-B54C	WAG40B-A54X	



INSTALLATION

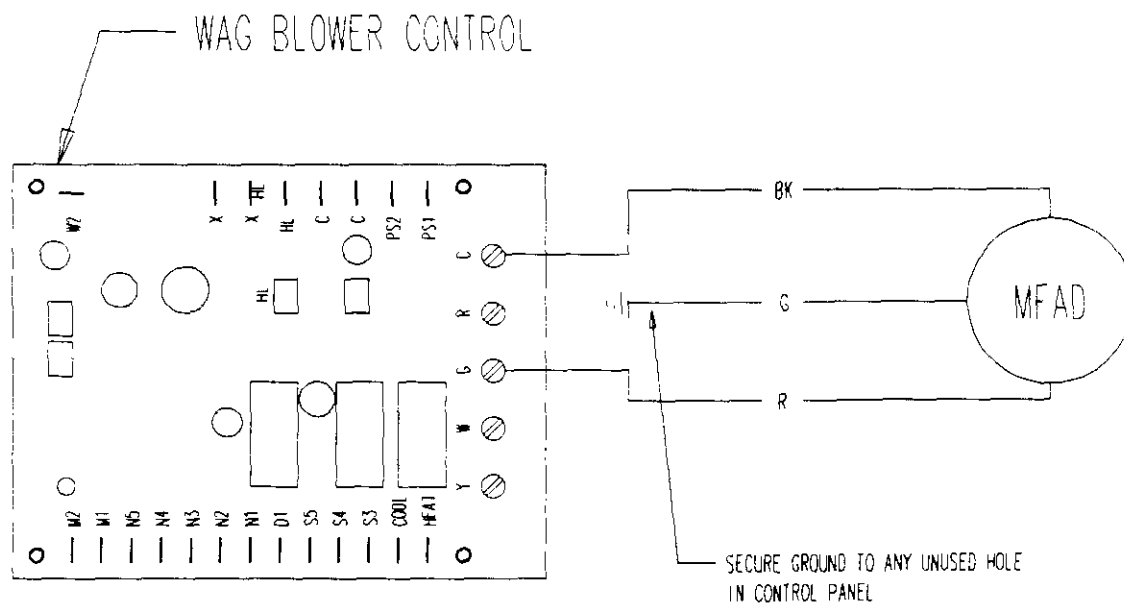
- STEP 1. Disconnect all power to wall mount unit before installing MFAD.
- STEP 2. Remove service door and barometric fresh air damper and discard. See FIGURE 1.
- STEP 3. Route wires as shown in FIGURE 2 into unit control panel area.
- STEP 4. Connect black wire to C terminal low voltage block. Connect red wire to G terminal of low voltage block. Connect ground wire to control panel as shown with screw provided. (See wiring diagram below.)
- STEP 5. Use a self drilling screw and cable clamp provided to secure wires in position.
- STEP 6. Install new service door with MFADWAG-3 on WAG. Plug in wiring harness before securing. See FIGURE 3.
- STEP 7. Check MFAD for proper operation. MFAD should open whenever the blower is energized.

MAINTENANCE

The only maintenance required is to clean the washable filter regularly. Remove filter restraint angle. Slide filter out and wash in warm soapy water. Shake out excess water and reinstall. See FIGURE 4.

WIRING DIAGRAM

Wiring Diagram of the MFADWAG-3 Fresh Air Damper and Connections to A/C Unit



MIS-734

FIGURE 1

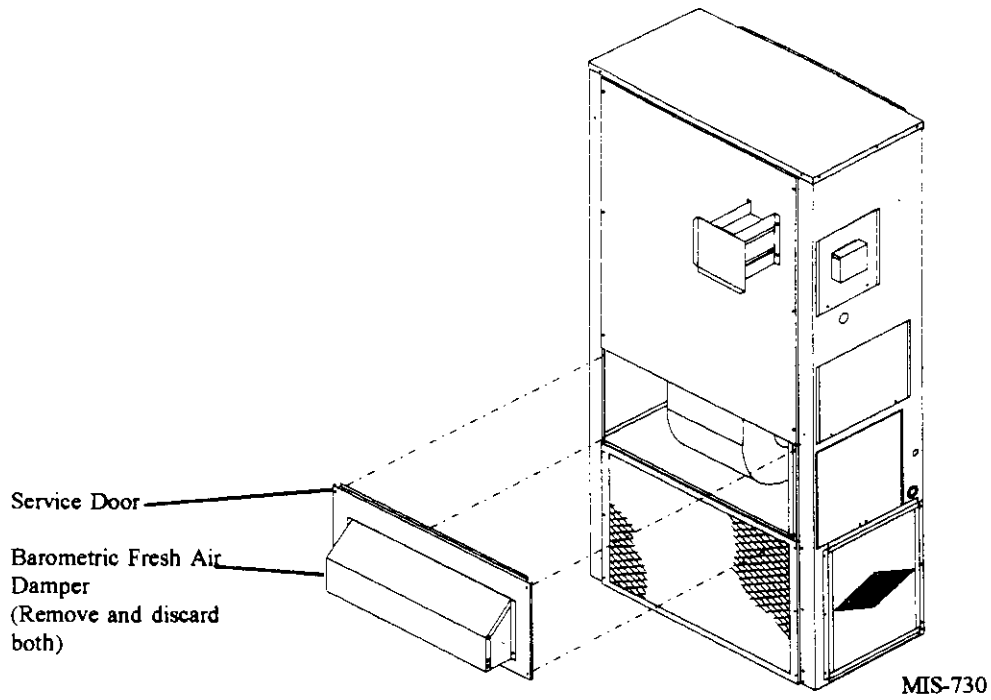


FIGURE 2

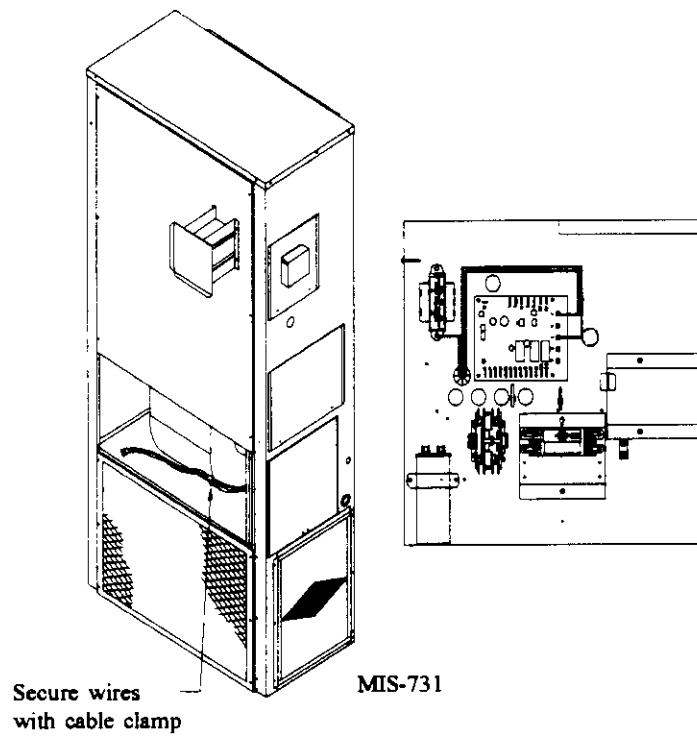


FIGURE 3

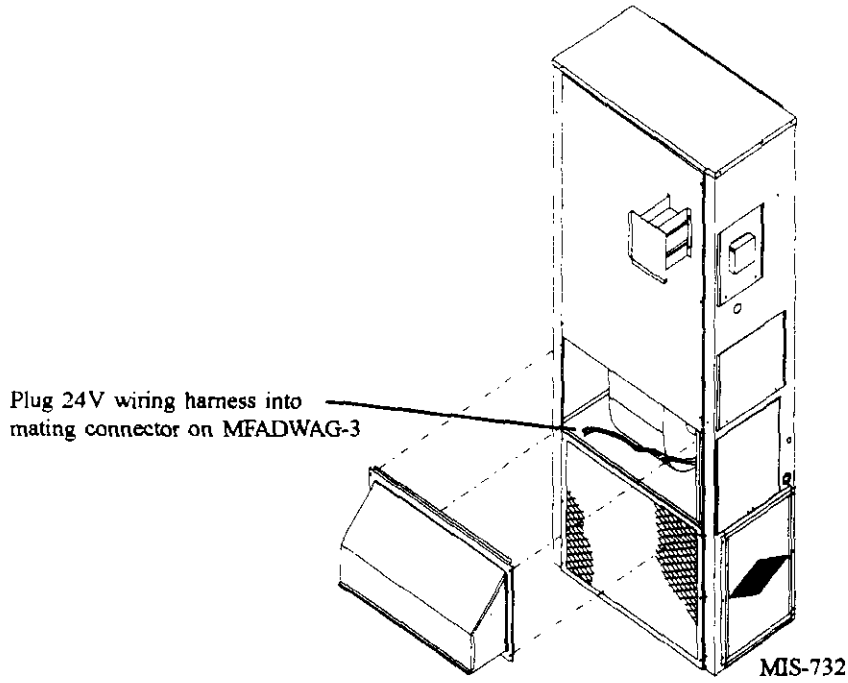


FIGURE 4

