



## INSTALLATION INSTRUCTIONS

---

**MODELS:**    **EH3PB-A05**        **EH3PB-B09**        **EH3PB-C09**  
                  **EH3PB-A08**        **EH3PB-B15**        **EH3PB-C15**  
                  **EH3PB-A10**  
                  **EH3PB-A15**

### OPTIONAL ELECTRIC HEAT PACKAGES

**FOR USE WITH**  
**2<sup>1</sup>/<sub>2</sub> AND 3 TON PACKAGED UNITS**

---

BARD MANUFACTURING COMPANY  
Bryan, Ohio 43506

Since 1914...Moving, ahead just as planned.

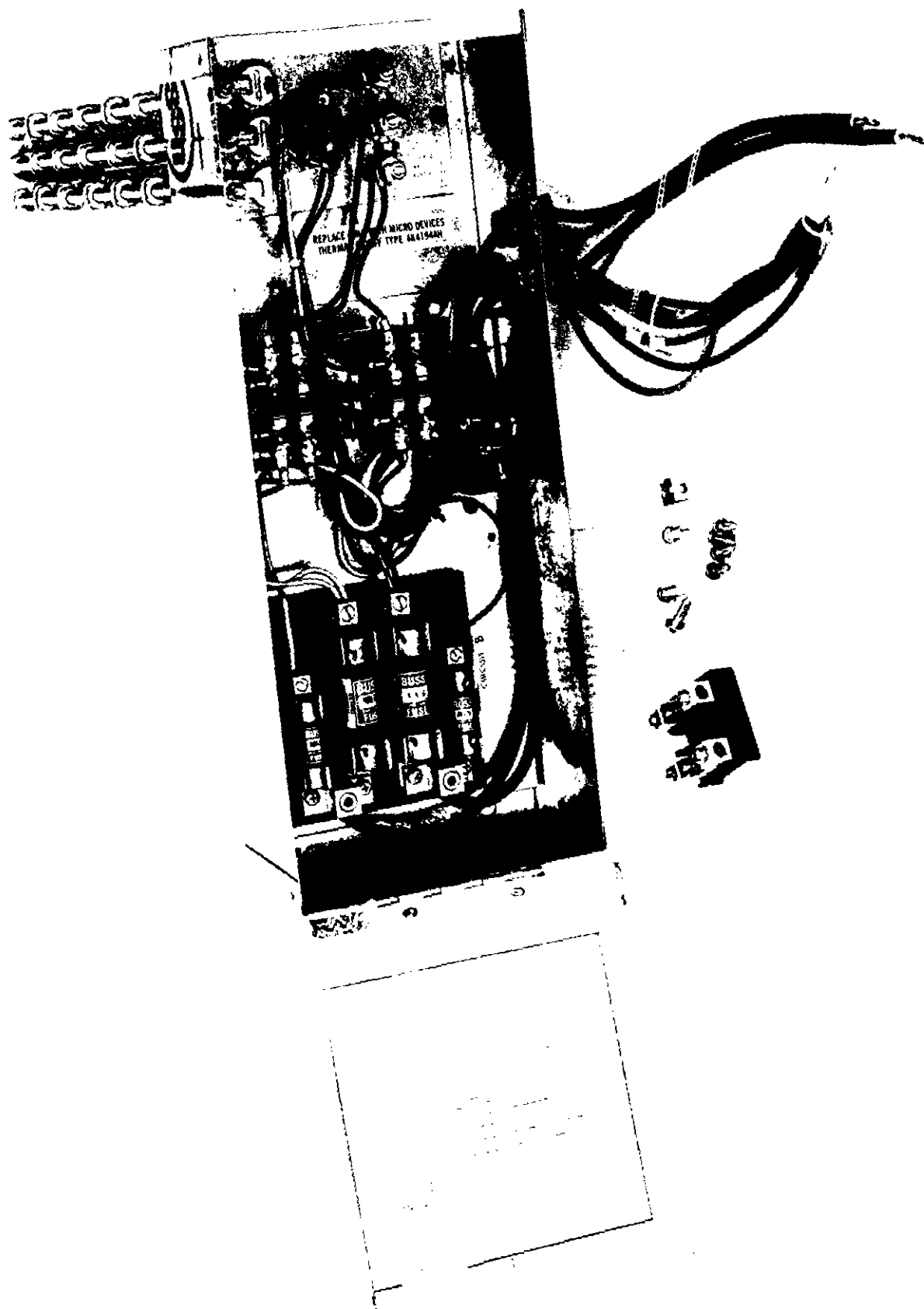
Manual:	2100-255 Rev.
Supersedes:	Rev.
File:	Volume II, Tab 12
Date:	March 1995

# Contents

<b>Important .....</b>	<b>4</b>
<b>Shipping Damage .....</b>	<b>4</b>
<b>Unpacking the Heat Pump.....</b>	<b>4</b>
<b>Installation.....</b>	<b>4</b>

Copyright April 1995  
Bard Manufacturing Company  
Bryan, Ohio 43506

FIGURE 1



## Important

The equipment covered in this manual is to be installed by trained, experienced service and installation technicians.

## Shipping Damage

Upon receipt of equipment, the carton should be checked for external signs of shipping damage. If damage is found, the receiving party must contact the last carrier immediately, preferably in writing, requesting inspection by the carrier's agent.

## Unpacking the Heat Pump

Remove the heat package from the shipping carton. The heat package must consist of the following. See FIGURE 1.

1. Basic heater enclosure with controls and installation instructions.
2. Plastic bag containing (1) 230V terminal block, (1) grounding lug, (4) #10-16 x 1/2" screws, (2) #8-16 x 1" screws, (1) #10-24 x 1/2" screw, and (1) wire tie.

## Installation

Disconnect all power supplies to the air conditioner or heat pump. Remove the control panel service door. Remove the four (4) #10-16 x 1/2" screws which secure the electric heat cover plate. Remove the electric heat cover plate from the blower partition and discard. Carefully insert heater package through the opening, provided in the blower partition. Guide the heater package into the opening being careful to align the locating pin(s) of the heater(s) in the dimpled holes provided in the rear of the blower partition. When installing the EH3PB-B15 and EH3PB-C15 in package heat pumps or air conditioners manufactured before April 1995, an extra hole must be drilled in the blower partition. See FIGURE 5. Line up the four (4) holes in the heater control panel with the four (4) prepunched holes in the blower partition and secure the heater package to the blower partition with the four (4) #10-16 x 1/2" screws provided.

## Wiring Connections

Connect the wires exiting the bottom of the heater package into the unit circuit by plugging in the plastic snap lock fitting into the mating fitting located on the rear of the control panel.

**IMPORTANT:** A separate power supply must be provided for use with any optional heater package. DO NOT attempt to connect a heater package with a basic unit to a single power supply.

Remove the unit control panel cover and the inner 4 1/4" x 7 3/4" cover. By removing this cover, an isolated area is exposed. Install the high voltage terminal block. Use the two #8-16 x 1" screws. Install the grounding lug, using the two (2) #10-24 x 1/2" screws into the prepunched holes supplied.

Route the line voltage power circuit wires from the heater package through the bushed hole in the control panel to the newly installed high voltage terminal block.

Inspect all wiring for damage and secure any loose wiring with the enclosed wire ties. See FIGURE 3 for completed assembly. Replace the terminal block cover, control box cover and blower service door.

Energize both power supplies and check for proper system operation.

FIGURE 2

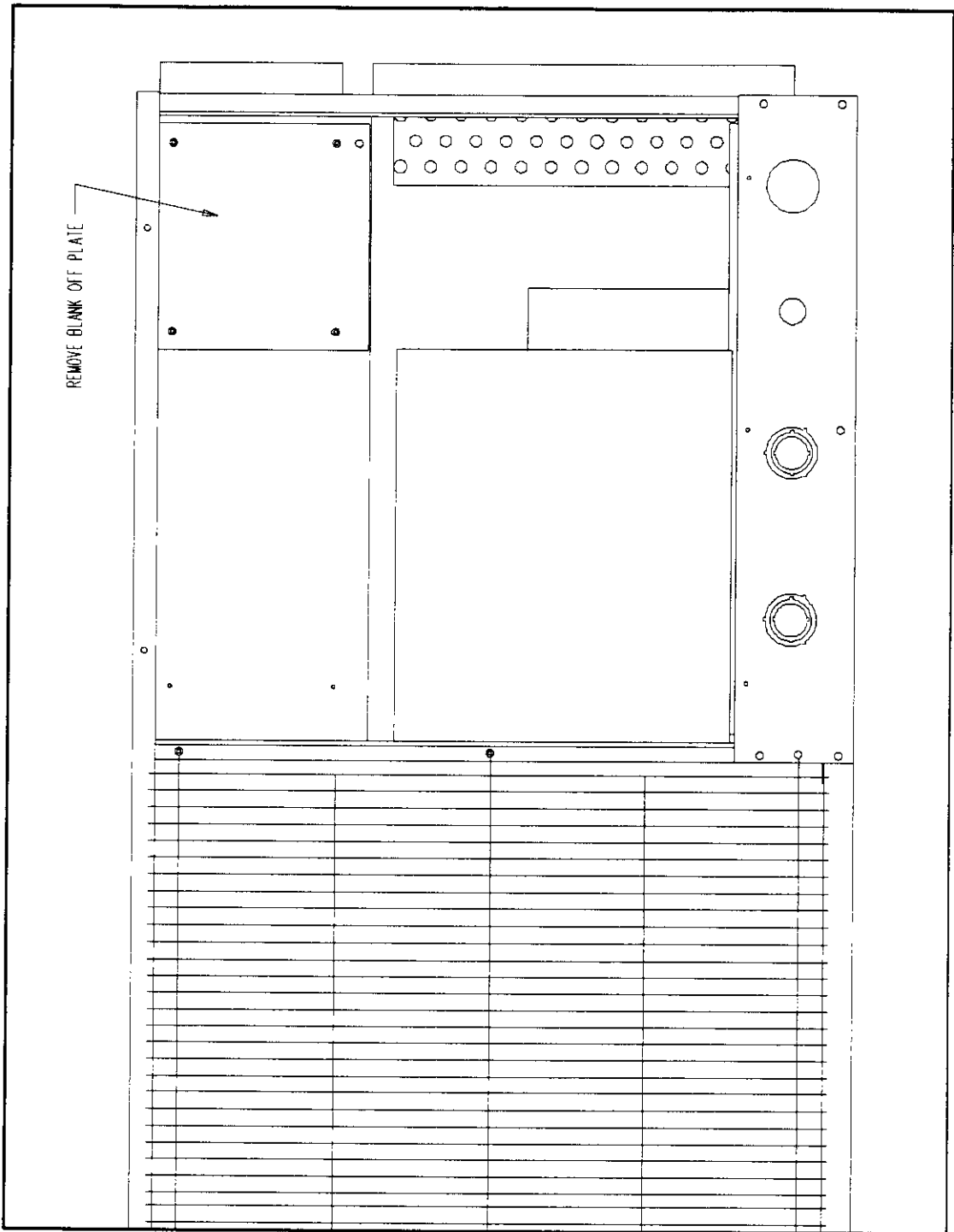


FIGURE 3

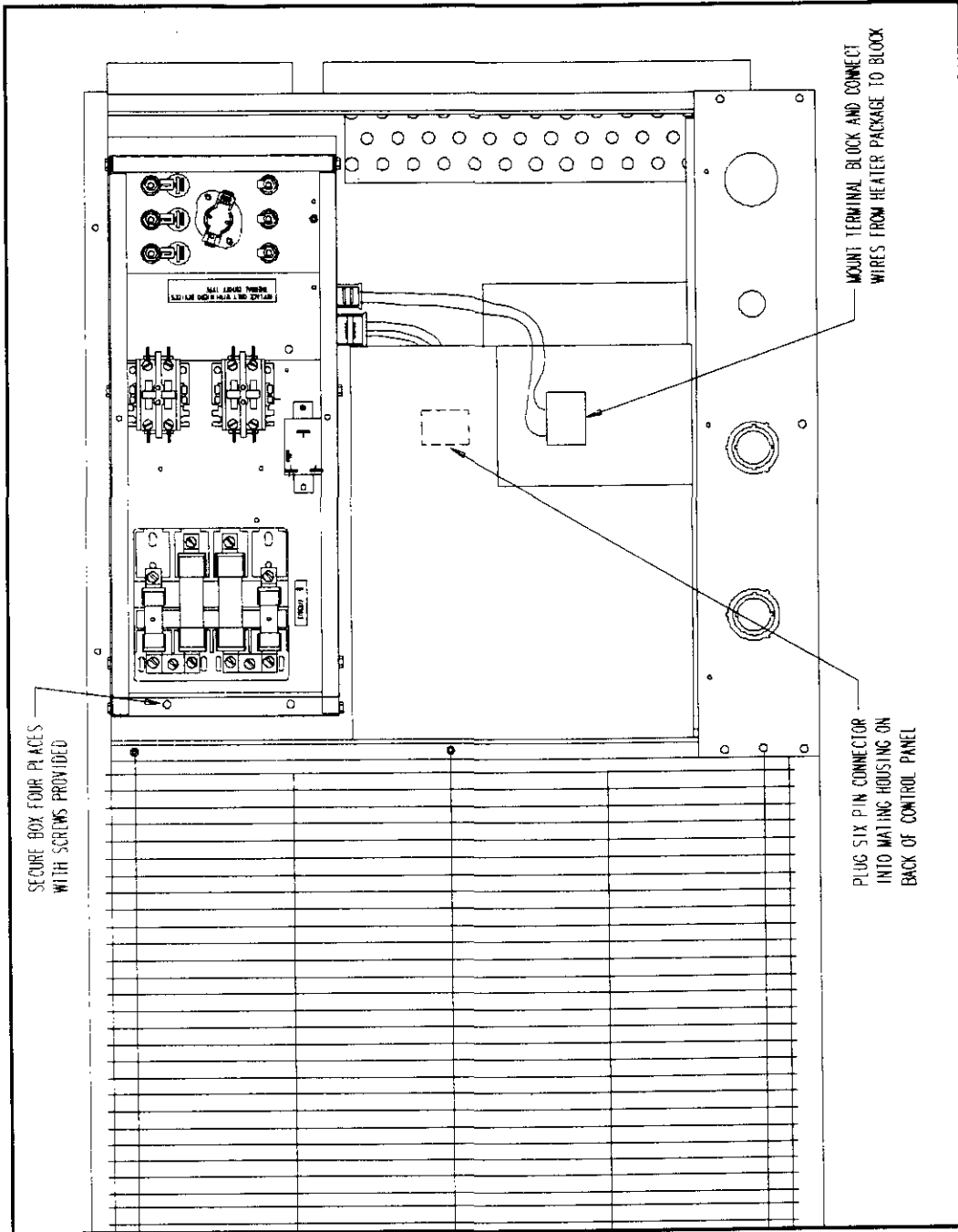
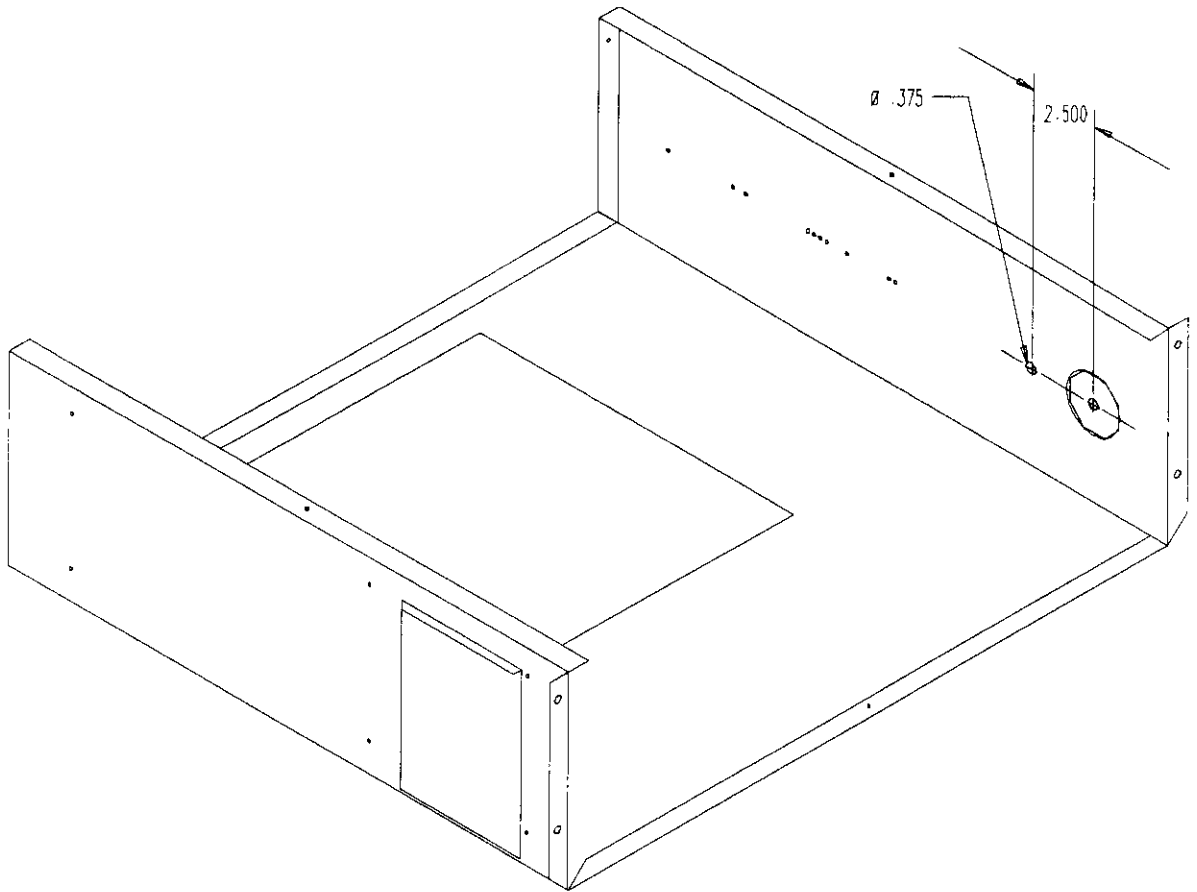
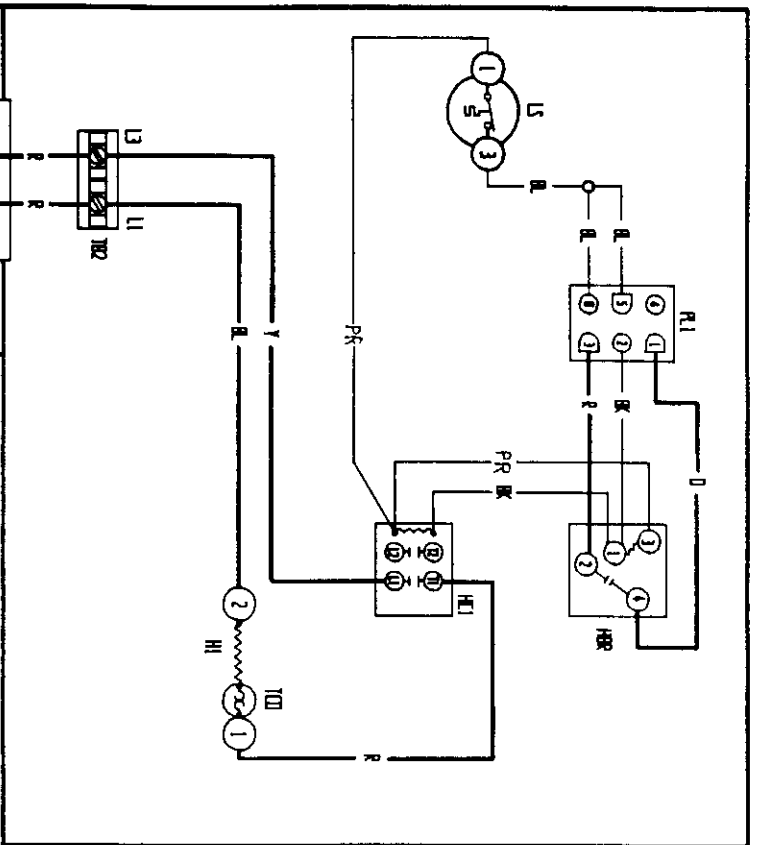


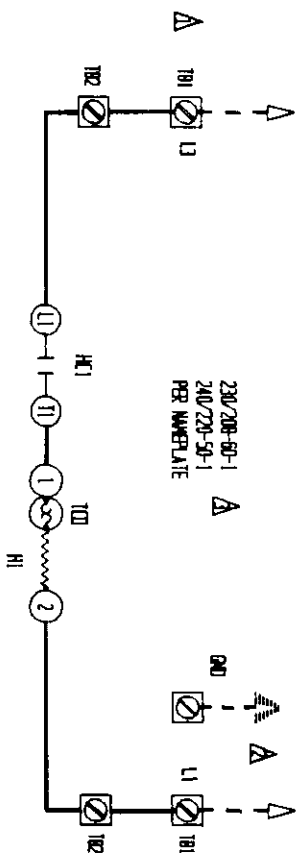
FIGURE 4



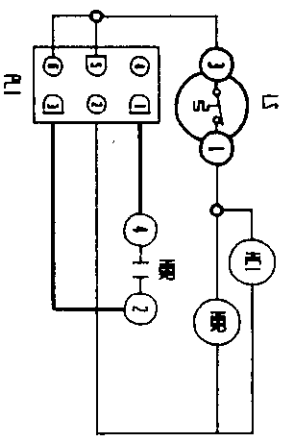


▲ T11 & GND FIELD MOUNTED IN CONTROL PANEL OF UNIT  
 ▲ USE COPPER CONDUCTORS SUITABLE FOR AT LEAST 75°C  
 ▲ 50 HZ APPLICATION NOT IL LISTED

230/208-60-1  
240/220-50-1 ▲



230/208-60-1  
240/220-50-1  
PER MANUFACTURE



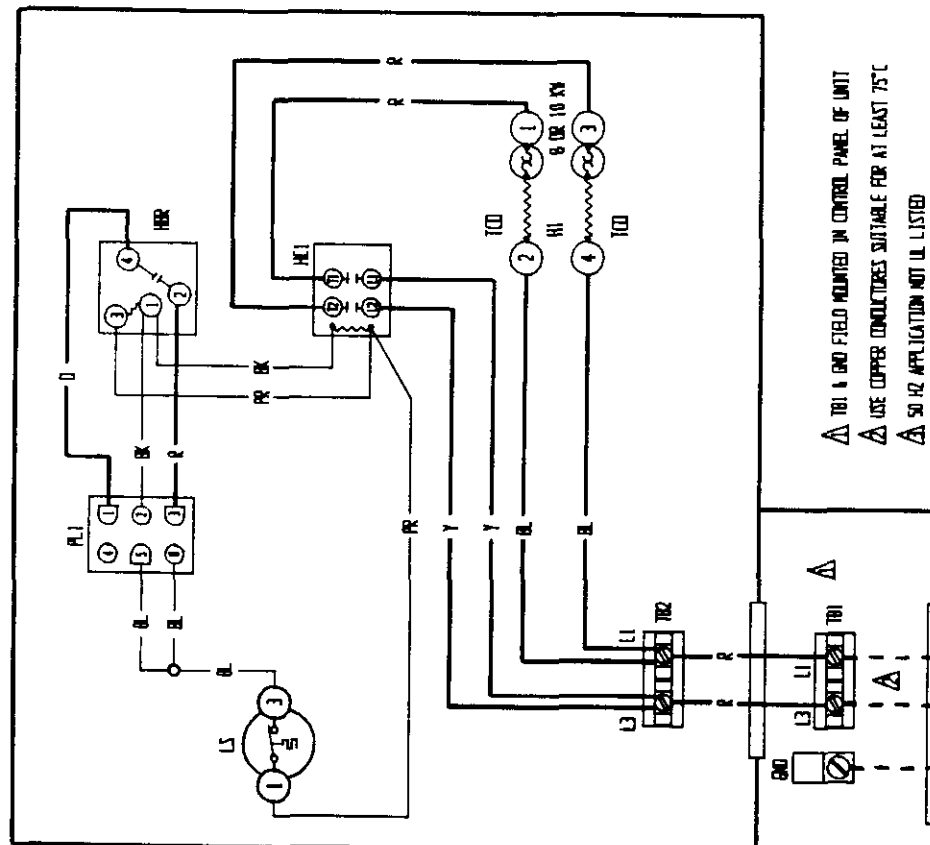
COMPONENT CODE	
600	EQUIPMENT GROUND
H1	HEAT STRIP #1
H2	HEAT STRIP #2
H3	HEATER CONTACTOR #1
H4	HEATER CONTACTOR #2
HR	HEATING BLOWER RELAY
L5	LIMIT SWITCH
R1	RELAY #1
T11	TERMINAL BLOCK 1
T12	TERMINAL BLOCK 2
TS	THERMAL UNDOFF

FACTORY STD.	FIELD	OPTIONAL
HIGH VOLTAGE		
LOW VOLTAGE		
ACCESSORY		

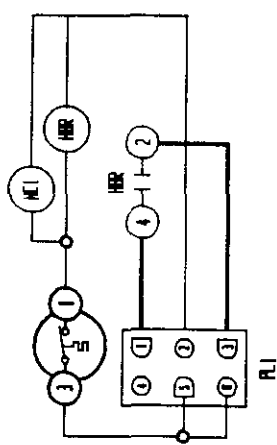
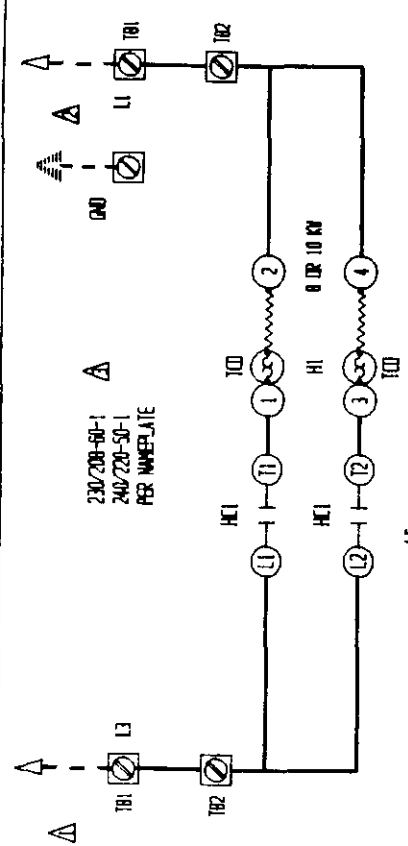
WIRE CODE	
BK	BLACK
BR	BROWN
RD	RED
OR	ORANGE
Y	YELLOW
G	GREEN
B	BLUE
W	WHITE
V	(FR)
(FR)	(FR)
(S)	(S)
WHT	WHITE
PUR	PURPLE
GRY	GRAY
SLT	SLATE
P	PINK
L	LANGRER

BARU INC. CO.	
DRG.	4057-111
DRN.	DLCHRE
CHK./APP.	

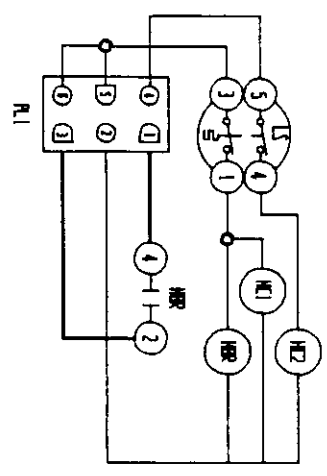
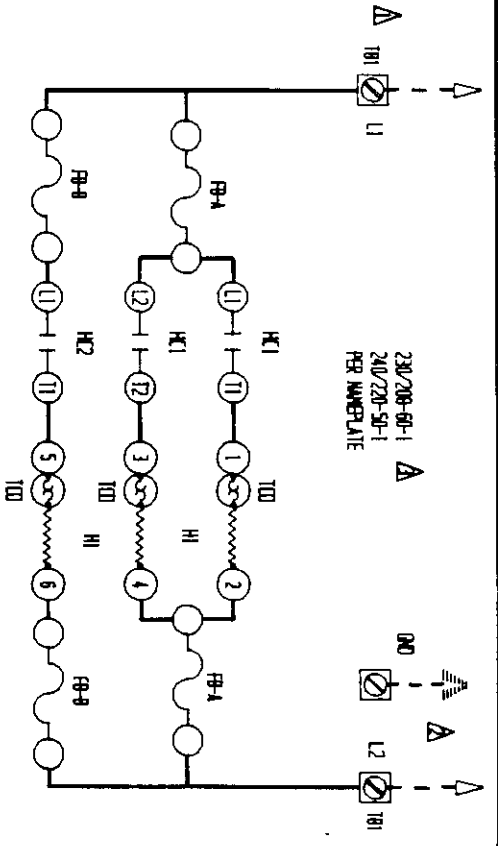
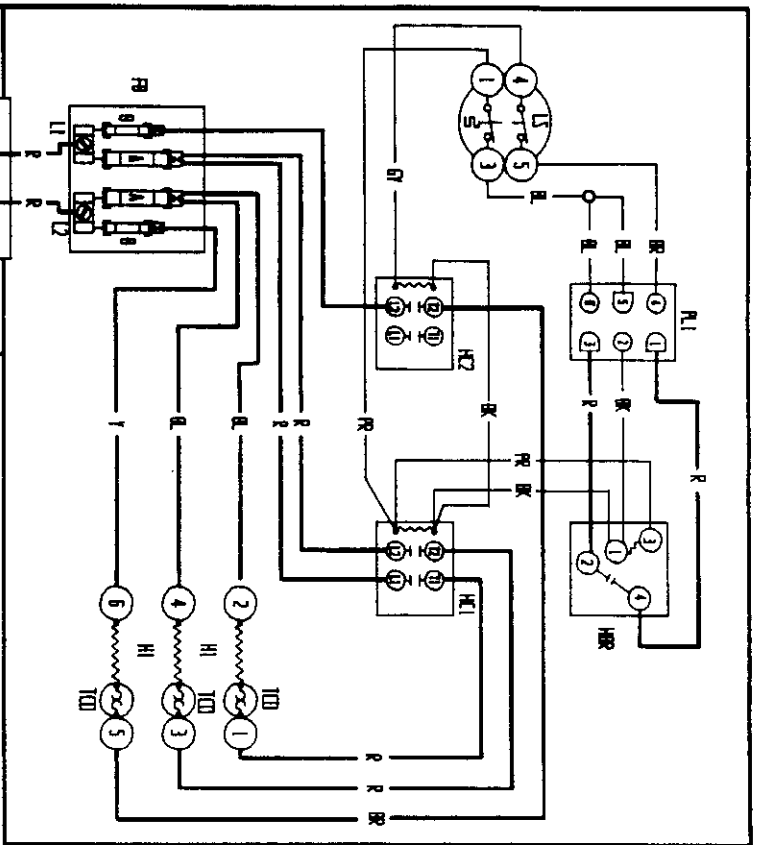




- △ TBI & GND FIELD MOUNTED IN CONTROL PANEL OF UNIT
- △ USE COPPER CONDUCTORS SUITABLE FOR AT LEAST 75°C
- △ 50 Hz APPLICATION NOT IL LISTED



COMPONENT CODE		BARD MFG. CO.												
GND	EQUIPMENT GROUND	HR	HEATING BLOWER RELAY	FACTORY STD.	FIELD	OPTIONAL	Y	BLACK	Y	VIOLET	T	TAN	ONE.	4067-122
HI	HEAT STOP #1	LS	LIMIT SWITCH	HIGH VOLTAGE	---	---	YELLOW	BR	GREEN	P	P	PINK	CON.	4068-122
H2	HEAT STOP #2	PL1	PLUG #1	LOW VOLTAGE	---	---	BLUE	R	BLUE	L	L	LAUREL	CON.	4069-122
HI1	HEATER CONTACTOR #1	TBI	TERMINAL BLOCK 1	ACCESSORY	---	---	GRAY	W	GRAY	---	---	---	CON.	4070-122
HI2	HEATER CONTACTOR #2	TBR	TERMINAL BLOCK 2		---	---	SLATE	---	SLATE	---	---	---	CON.	4071-122
		TO	TERMINAL CUTOFF		---	---	---	---	---	---	---	---	CON.	4072-122



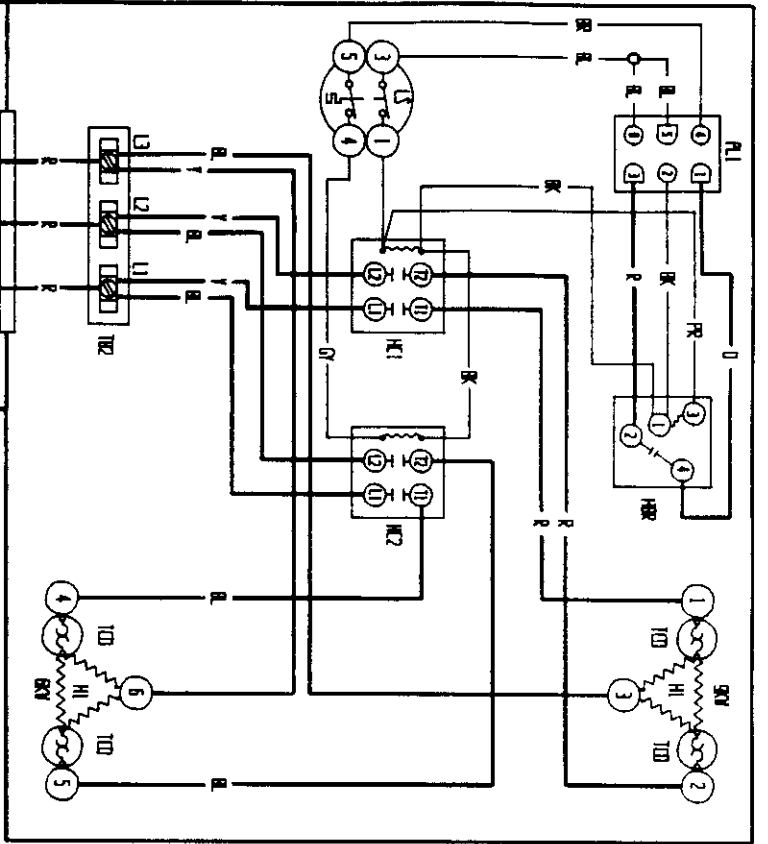
COMPONENT CODE	
FB	FUSE BLOCK
FB0	EQUIPMENT GROUND
H1	HEAT STRIP #1
H2	HEAT STRIP #2
K1	HEATER CONTACTOR #1
K2	HEATER CONTACTOR #2
HR	HEATING BLOWER RELAY
LS	LIMIT SWITCH
L1	PLS #1
T1	TEMPERATURE BLOCK #1
T2	TEMPERATURE BLOCK #2

FACTORY STD.		FIELD		OPTIONAL	
HIGH VOLTAGE	---	---	---	---	---
LOW VOLTAGE	---	---	---	---	---
ACCESSORY	---	---	---	---	---

COLOR CODE	
BR	BLACK
BR	BROWN
R	RED
0	ORANGE
T	YELLOW
G	GREEN
B	BLUE
W	WHITE
V	VIOLET
(R)	PURPLE
(S)	SLATE
T	TAN
PK	PINK
L	LAVENDER

**BARB MFG. CO.**  
 BNC. 4057-131  
 DYN. DIECAST  
 CR./MFR.





- ▲ HI & LO FIELD WANTED IN CONTROL PANEL OF UNIT
- ▲ USE DIFFER CONTACTORS SUITABLE FOR AT LEAST 75°C
- ▲ 50 Hz APPLICATION NOT LISTED

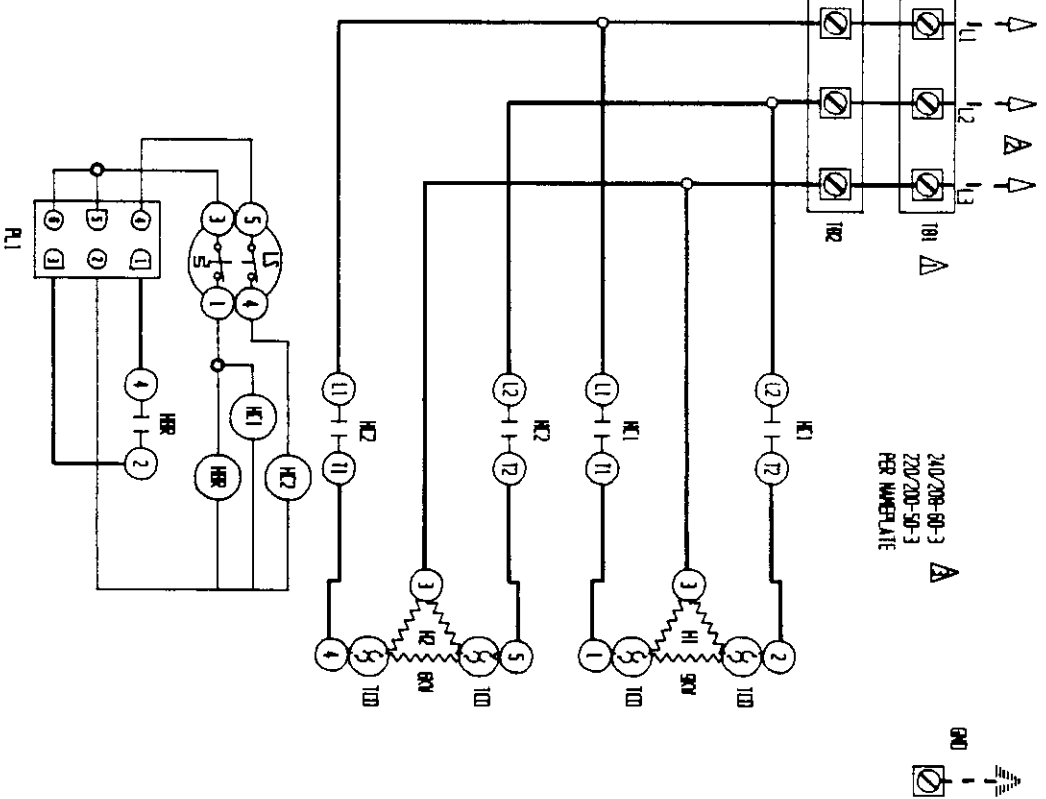
240/208-50-3  
220/200-50-3

EQUIPMENT BOARD		HEATING BOARD RELAY	
H1	HEAT STRIP #1	LS	LIMIT SWITCH
H2	HEAT STRIP #2	HL1	HEATING BLOCK 1
HK1	HEATER CONTACTOR #1	HL2	HEATING BLOCK 2
HK2	HEATER CONTACTOR #2	HR	HEATING OFF

FACTORY STD.		OPTIONAL	
HIGH VOLUME		LOW VOLUME	
ACCESSORY			

BR	BLACK	B	BROWN	DR	DRUM
RR	RED	G	GREEN	GR	GRAY
R	RED	B	BLUE	SL	SLATE
W	WHITE	Y	YELLOW	V	VIOLET
		FR	PINK	L	LAVENDER

COLOR CODE			BARD MFG. CO.	
Y	YELLOW	1	DMG.	465-221
G	GREEN	2	DMG.	465-221
B	BLUE	3	DMG.	465-221
FR	PINK	4	DMG.	465-221
SL	SLATE	5	DMG.	465-221
L	LAVENDER	6	DMG.	465-221
OK	OK	7	DMG.	465-221
		8	DMG.	465-221



240/208-50-3  
220/200-50-3  
PER NIB57LA1E



