

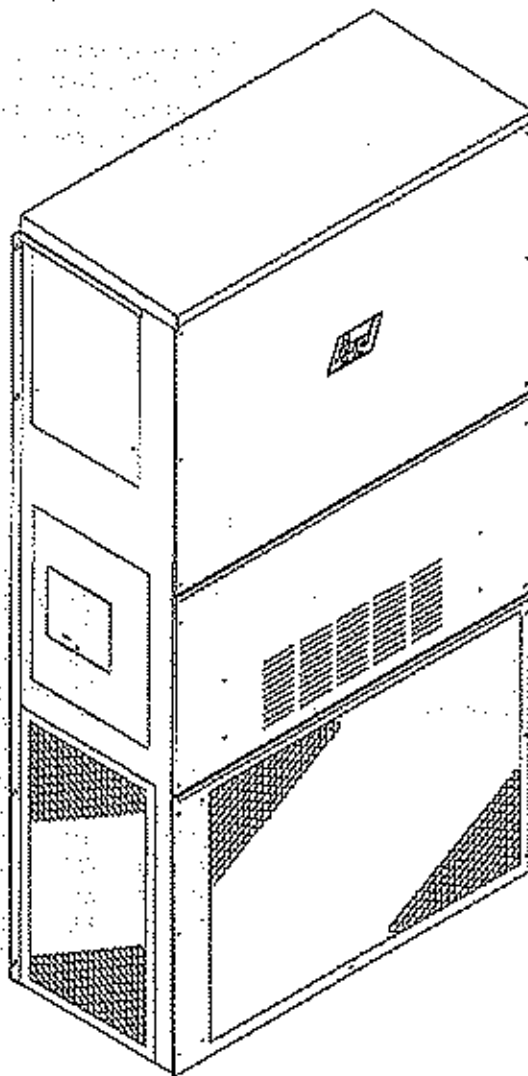
---

# INSTALLATION INSTRUCTIONS

## WALL MOUNTED PACKAGED AIR CONDITIONER

Model: **WL371**

---



MIS-861



Bard Manufacturing Company  
Bryan, Ohio 43506

*Since 1914...Moving ahead, just as  
planned.*

Manual No.: 2100-334A  
Supersedes: 2100-334  
File: Volume III, Tab 16  
Date: 04-14-89

© Copyright 1989

# CONTENTS

<b>Getting Other Information and Publications</b> .....	<b>1</b>
For more information, contact these publishers .....	1
<b>Wall Mount General Information</b> .....	<b>2</b>
Air Conditioner Wall Mount Model Nomenclature .....	2
Shipping Damage .....	4
General .....	4
Duct Work .....	5
Filters .....	5
Fresh Air Intake .....	5
Condensate Drain .....	5
<b>Installation Instructions</b> .....	<b>6</b>
Wall Mounting Information .....	6
Mounting the Unit .....	6
Wiring — Main Power .....	6
Wiring — Low Voltage Wiring .....	6

<b>Start Up</b> .....	<b>11</b>
Important Installer Note .....	11
Crankcase Heaters .....	11
Service Hints .....	11
Sequence of Operation .....	11
Compressor Control Module .....	11
Adjustments .....	12
Phase Monitor .....	12
Pressure Service Ports .....	12
<b>Troubleshooting</b> .....	<b>12</b>
Fan Blade Setting Dimensions .....	12
Removal of Fan Shroud .....	12
Refrigerant Charge .....	12
Optional Accessories .....	13

## Figures

Figure 1 Unit Dimensions .....	3
Figure 2 Blower Damper Assembly .....	5
Figure 3 Mounting Instructions .....	7
Figure 4 Wall-Mounting Instructions .....	8
Figure 5 Wall-Mounting Instructions .....	8
Figure 6 Common Wall-Mounting Installations .....	9
Figure 7 Electric Heat Clearances .....	10
Figure 8 Wiring .....	10
Figure 9 Start-Up Label .....	11
Figure 10 Fan Blade Setting .....	12

## Tables

Table 1 Electrical Specifications .....	2
Table 2 Dimensions of Basic Unit .....	3
Table 3 Electric Heat Table .....	4
Table 4 Operating Voltage Range .....	6
Table 5 Thermostat Wire Size .....	7
Table 6 Wall Thermostat and Subbase Combinations .....	7
Table 7 Fan Blade Dimensions .....	12
Table 8 Suction Line Temperatures .....	12
Table 9 Indoor Blower Performance .....	12
Table 10 CFM and ESP .....	12
Table 11 Maximum ESP of Operation Electric Heat Only .....	12
Table 12 Cooling Pressure .....	13
Table 13 Optional Accessories .....	13

# Getting Other Information and Publications

---

These publications can help you install the air conditioner or heat pump. You can usually find these at your local library or purchase them directly from the publisher. Be sure to consult current edition of each standard.

National Electrical Code ..... ANSINFPA 70

Standard for the Installation ..... ANSINFPA 90A  
of Air Conditioning and  
Ventilating Systems

Standard for Warm Air ..... ANSINFPA 90B  
Heating and Air  
Conditioning Systems

Load Calculation for ..... ACCA Manual J  
Residential Winter and  
Summer Air Conditioning

Duct Design for Residential ..... ACCA Manual D  
Winter and Summer Air  
Conditioning and Equipment  
Selection

## For more information, contact these publishers:

**ACCA** — Air Conditioning Contractors of America  
1712 New Hampshire Avenue NW  
Washington, DC 20009  
Telephone: (202) 483-9370  
Fax: (202) 234-4721

**ANSI** — American National Standards Institute  
11 West Street, 13th Floor  
New York, NY 10036  
Telephone: (212) 642-4900  
Fax: (212) 302-1286

**ASHRAE** — American Society of Heating Refrigerating,  
and  
Air Conditioning Engineers, Incorporated  
1791 Tullie Circle, N.E.  
Atlanta, GA 30329-2305  
Telephone: (404) 636-8400  
Fax: (404) 321-5478

**NFPA** — National Fire Protection Association  
Batterymarch Park  
P.O. Box 9101  
Quincy, MA 02269-9901  
Telephone: (800) 344-3555  
Fax: (617) 984-7057

---

Manufactured under the following U.S. patent numbers:

5,485,878; 6,301,744; 5,002,116; 4,924,834; 4,875,520;  
4,825,936; 4,432,409

# WALL MOUNT GENERAL INFORMATION

## Air Conditioner Wall Mount Model Nomenclature

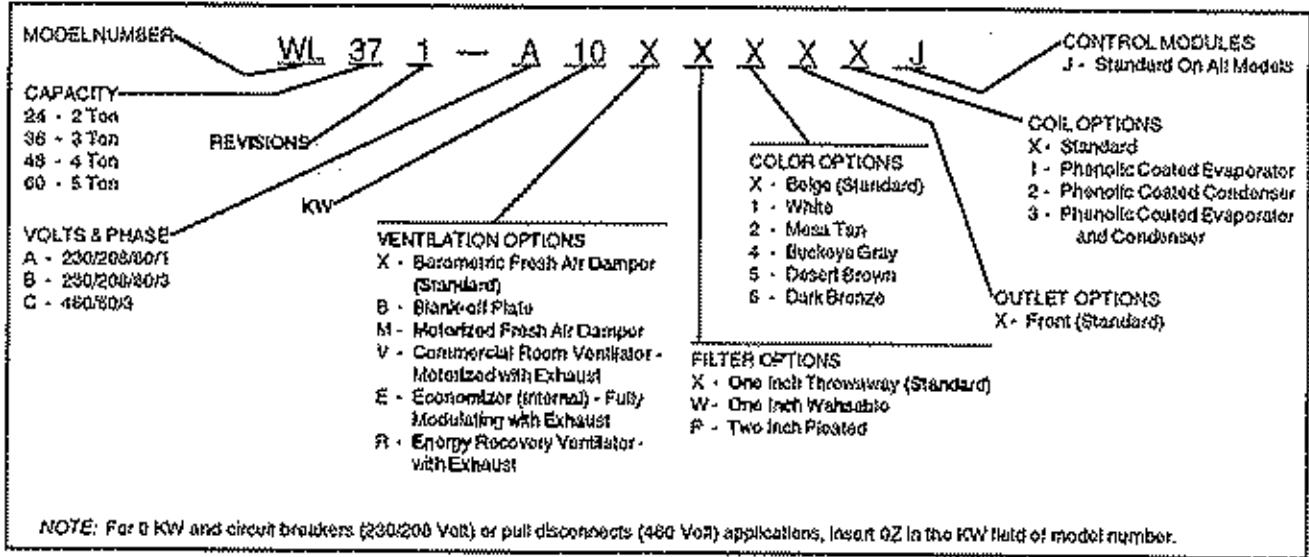


TABLE 1 - ELECTRICAL SPECIFICATIONS

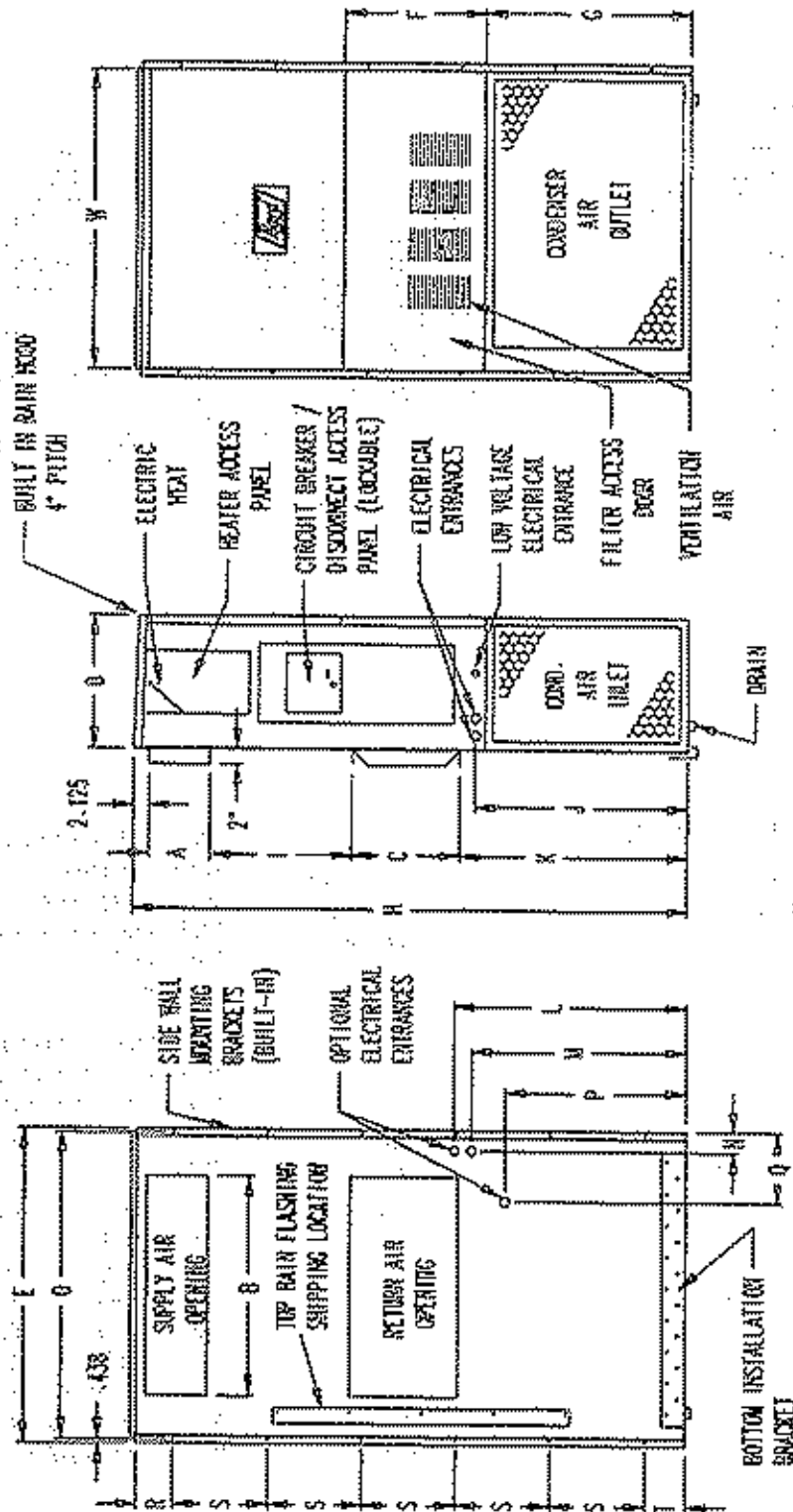
Models	Rated Volts/ Phases	No. Field Power Circuits	① Minimum Circuit Ampacity	① Maximum External Fuse or Ckt. Breaker	② Field Power Wire Size	② Ground Wire Size	③ Minimum Circuit Ampacity		① Maximum External Fuse or Ckt. Breaker		② Field Power Wire Size		② Ground Wire Size	
							CKT A	CKT B	CKT A	CKT B	CKT A	CKT B	CKT A	CKT B
							WL371-A0Z	230/208-1	1	28	35	8	10	--
A05	1	32	35	8	10	--	--		--	--	--	--	--	--
A10	1	58	60	6	10	--	--		--	--	--	--	--	--
A15	1 or 2	84	90	4	8	55	26		60	30	8	10	10	10
WL371-B0Z	230/208-1	1	20	25	10	10	--	--	--	--	--	--	--	--
B09		1	33	35	8	10	--	--	--	--	--	--	--	--
B15		1	51	60	6	10	--	--	--	--	--	--	--	--
WL371-C0Z	480-3	1	11	15	14	14	--	--	--	--	--	--	--	--
C09		1	17	20	12	12	--	--	--	--	--	--	--	--
C15		1	26	30	10	10	--	--	--	--	--	--	--	--

- ① Maximum size of the time delay fuse or HACR type circuit breaker for protection of field wiring conductors.
- ② Based on 75°C copper wire. All wiring must conform to the National Electrical Code and all local codes.
- ③ These 'Minimum Circuit Ampacity' values are to be used for sizing the field power conductors. Refer to the National Electric Code (latest revision), article 310 for power conductor sizing. **CAUTION:** When more than one field power conductor circuit is run through one conduit, the conductors must be derated. Pay special attention to Note 8 of Table 310 regarding Ampacity Adjustment Factors when more than three conductors are in a raceway.

TABLE 2 - DIMENSIONS OF BASIC UNIT (NOMINAL) (in inches)

Model	Width (W)	Depth (D)	Height (H)	Supply		Return		E	F	G	I	J	K	L	M	N	O	P	Q	R	S	T
				A	B	C	B															
WL371	38.20	17.125	70.563	7.88	27.88	13.88	27.88	40.00	18.50	25.75	17.93	26.75	28.75	29.25	27.00	2.75	39.19	22.75	9.14	4.19	12.00	5.00

FIGURE 1 - UNIT DIMENSIONS



FRONT VIEW

LEFT SIDE VIEW

BACK VIEW

MIS-1259

**TABLE 3 - ELECTRIC HEAT TABLE**

Models	WL371-A				WL371-B				WL371-C	
	240V - 1		208V - 1		240V - 3		208V - 3		460V - 3	
	KW	AMPS	BTUH	AMPS	BTUH	AMPS	BTUH	AMPS	BTUH	AMPS
5.0	20.8	17,085	18.1	12,800	---	---	---	---	---	---
10.0	41.6	34,130	36.2	25,600	---	---	---	---	---	---
15.0	62.5	51,200	54.1	38,400	---	---	---	---	---	---
9.0	---	---	---	---	21.7	30,600	18.7	23,030	10.8	30,700
15.0	---	---	---	---	36.2	51,200	31.2	38,400	18.0	51,200

**SHIPPING DAMAGE**

Upon receipt of equipment, the carton should be checked for external signs of shipping damage. If damage is found, the receiving party must contact the last carrier immediately, preferably in writing, requesting inspection by the carrier's agent.

**GENERAL**

The equipment covered in this manual is to be installed by trained, experienced service and installation technicians.

The refrigerant system is completely assembled and charged. All internal wiring is complete.

The unit is designed for use with or without duct work. Flanges are provided for attaching the supply and return ducts.

These instructions explain the recommended method to install the air cooled self-contained unit and the electrical wiring connections to the unit.

These instructions and any instructions packaged with any separate equipment required to make up the entire air conditioning system should be carefully read before beginning the installation. Note particularly "Starting Procedure" and any tags and/or labels attached to the equipment.

While these instructions are intended as a general recommended guide, they do not supersede any national and/or local codes in any way. Authorities having jurisdiction should be consulted before the installation is made. See Page 1 for information on codes and standards.

Size of unit for a proposed installation should be based on heat loss calculation made according to methods of Air Conditioning Contractors of America (ACCA). The air duct should be installed in accordance with the Standards of the National Fire Protection Association for the Installation of Air Conditioning and Ventilating Systems of Other Than Residence Type, NFPA No. 90A, and Residence Type Warm Air Heating and Air Conditioning Systems, NFPA No. 90B. Where local regulations are at a variance with instructions, installer should adhere to local codes.

## DUCT WORK

Any heat pump is more critical of proper operating charge and an adequate duct system than a straight air conditioning unit. All duct work, supply and return, must be properly sized for the design air flow requirement of the equipment. Air Conditioning Contractors of America (ACCA) is an excellent guide to proper sizing. All duct work or portions thereof not in the conditioned space should be properly insulated in order to both conserve energy and prevent condensation or moisture damage.

Refer to Table 10 for maximum static pressure available for duct design.

Design the duct work according to methods given by the Air Conditioning Contractors of America (ACCA). When duct runs through unheated spaces, it should be insulated with a minimum of 1 inch of insulation. Use insulation with a vapor barrier on the outside of the insulation. Flexible joints should be used to connect the duct work to the equipment in order to keep the noise transmission to a minimum.

A 1/4 inch clearance to combustible material for the first 3 feet of duct attached to the outlet air frame is required. See Wall Mounting Instructions and Figures 3 and 7 for further details.

Ducts through the walls must be insulated and all joints taped or sealed to prevent air or moisture entering the wall cavity.

## CAUTION

Some installations may not require any return air duct. A metallic return air grille is required with installations not requiring a return air duct. The spacing between louvers on the grille shall not be larger than 5/8 inches.

Any grille that meets the 5/8 inch louver criteria, may be used. It is recommended that Bard Return Air Grille Kit RG-2 thru RG-5 or RFG-2 thru RFG-5 be installed when no return duct is used. Contact distributor or factory for ordering information. If using a return air filter grille, filters must be of sufficient size to allow a maximum velocity of 400 fpm.

**NOTE:** *If no return air duct is used, applicable installation codes may limit this cabinet to installation only in a single story structure.*

## FILTERS

A 1 inch throwaway filter is supplied with each unit. The filter slides into position making it easy to service. This filter can be serviced from the outside by removing the service door. A 1 inch washable filter and 2 inch pleated filter are also available as optional accessories. The internal filter brackets are adjustable to accommodate the 2 inch filter by bending the metal tabs holding the 1 inch filter down. There are two tabs on each side of the filter.

## FRESH AIR INTAKE

All units are built with fresh air inlet slots punched in the service panel.

If the unit is equipped with the fresh air damper assembly, the assembly is shipped already attached to the unit. The damper blade is locked in the closed position. To allow the damper to operate, the maximum and minimum blade position stops must be installed. (See Figure 2.)

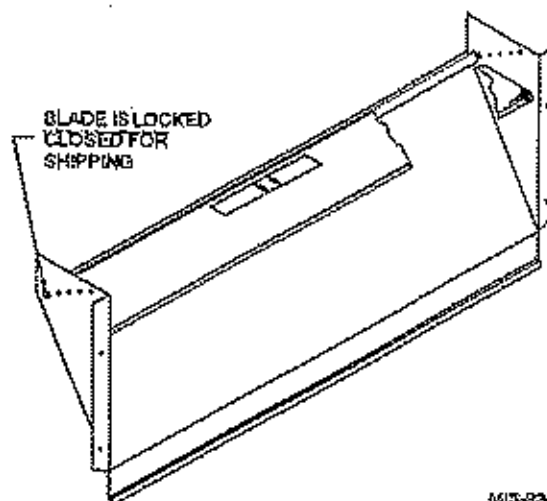
All capacity, efficiency and cost of operation information as required for Department of Energy "Energyguide" Fact Sheets is based upon the fresh air blank-off plate in place and is recommended for maximum energy efficiency.

The blank-off plate is available upon request from the factory and is installed in place of the fresh air damper shipped with each unit.

## CONDENSATE DRAIN

A plastic drain hose extends from the drain pan at the top of the unit down to the unit base. There are openings in the unit base for the drain hose to pass through. In the event the drain hose is connected to a drain system of some type, it must be an open or vented type system to assure proper drainage.

FIGURE 2 - FRESH AIR DAMPER ASSEMBLY



MIS-938

# INSTALLATION INSTRUCTIONS

## WALL MOUNTING INFORMATION

1. Two holes, for the supply and return air openings, must be cut through the wall as shown in Figure 3.
2. On wood-frame walls, the wall construction must be strong and rigid enough to carry the weight of the unit without transmitting any unit vibration.

### **WARNING**

Fire hazard can result if 1/4 inch clearance to combustible materials for supply air duct is not maintained. See Figure 3.

3. Concrete block walls must be thoroughly inspected to insure that they are capable of carrying the weight of the installing unit.

## MOUNTING THE UNIT

1. These units are secured by wall mounting brackets which secure the unit to the outside wall surface at both sides. A bottom mounting bracket is provided for ease of installation, but is not required.
2. The unit itself is suitable for "0" inch clearance, but the supply air duct flange and the first 3 feet of supply air duct require a minimum of 1/4 inch clearance to combustible material. If a combustible wall, use a minimum of 28-1/2" x 8-1/2" dimensions for sizing. However, it is generally recommended that a 1 inch clearance is used for ease of installation and maintaining the required clearance to combustible material. The supply air opening would then be 30" x 10". See Figures 3 and 7 for details.

### **WARNING**

Failure to provide the 1/4 inch clearance between the supply duct and a combustible surface for the first 3 feet can result in fire.

3. Locate and mark lag bolt locations and bottom mounting bracket location. See Figure 3.
4. Mount bottom mounting bracket.
5. Hook top rain flashing under back bend of top. Top rain flashing is shipped secured to the right side of the back.
6. Position unit in opening and secure with 5/16 lag bolts; use 7/8 inch diameter flat washers on the lag bolts.
7. Secure rain flashing to wall and caulk across entire length of top. See Figure 3.

8. For additional mounting rigidity, the return air and supply air frames or collars can be drilled and screwed or welded to the structural wall itself (depending upon wall construction). Be sure to observe required clearance if combustible wall.
9. On side by side installations, maintain a minimum of 20 inches clearance on right side to allow access to heat strips and control panel and to allow proper airflow to the outdoor coil. Additional clearance may be required to meet local or national codes.

## WIRING – MAIN POWER

Refer to the unit rating plate for wire sizing information and maximum fuse or "HACR" type circuit breaker size. Each outdoor unit is marked with a "Minimum Circuit Ampacity". This means that the field wiring used must be sized to carry that amount of current. Depending on the installed KW of electric heat, there may be two field power circuits required. If this is the case, the unit serial plate will so indicate. All models are suitable only for connection with copper wire. Each unit and/or wiring diagram will be marked "Use Copper Conductors Only". These instructions must be adhered to. Refer to the National Electrical Code (NEC) for complete current carrying capacity data on the various insulation grades of wiring material. All wiring must conform to NEC and all local codes.

The electrical data lists fuse and wire sizes (75°C copper) for all models, including the most commonly used heater sizes. Also shown are the number of field power circuits required for the various models with heaters.

The unit rating plate lists a "Maximum Time Delay Relay Fuse" or "HACR" type circuit breaker that is to be used with the equipment. The correct size must be used for proper circuit protection and also to assure that there will be no nuisance tripping due to the momentary high starting current of the compressor motor.

The disconnect access door on this unit may be locked to prevent unauthorized access to the disconnect. To convert for the locking capability, bend the tab located in the bottom left hand corner of the disconnect opening under the disconnect access panel straight out. This tab will now line up with the slot in the door. When shut, a padlock may be placed through the hole in the tab preventing entry.

## WIRING – LOW VOLTAGE WIRING

230/208V, 1 phase and 3 phase equipment dual primary voltage transformers. All equipment leaves the factory wired on 240V tap. For 208V operation, reconnect from 240V to 208V tap. The acceptable operating voltage range for the 240V and 208V taps are:



**TABLE 4 -- OPERATING VOLTAGE RANGE**

TAP	RANGE
240V	250-216
208V	220-187

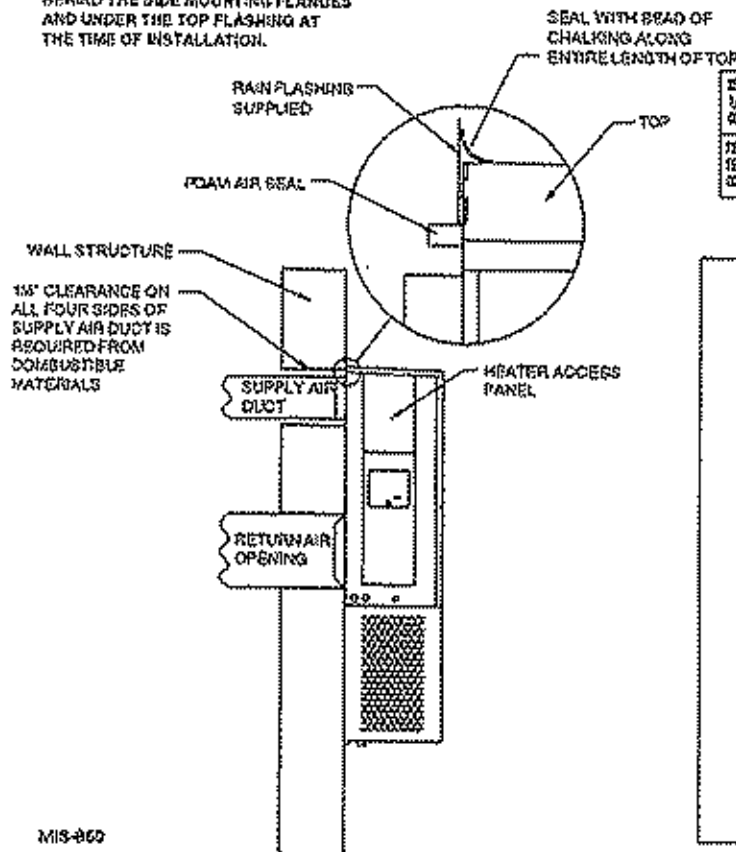
*NOTE: The voltage should be measured at the field power connection point in the unit and while the unit is operating at full load (maximum amperage operating condition).*

Five (5) wires should be run from thermostat subbase to the 24V terminal board in the unit. A five conductor, 18 gauge copper, color-coded thermostat cable is recommended. The connection points are shown in Figure 8.

**TABLE 5 -- THERMOSTAT WIRE SIZE**

TRANSFORMER VA	FLA	WIRE GAUGE	MAXIMUM DISTANCE IN FEET
55	2.3	20 gauge	45
		18 gauge	80
		16 gauge	100
		14 gauge	160
		12 gauge	250

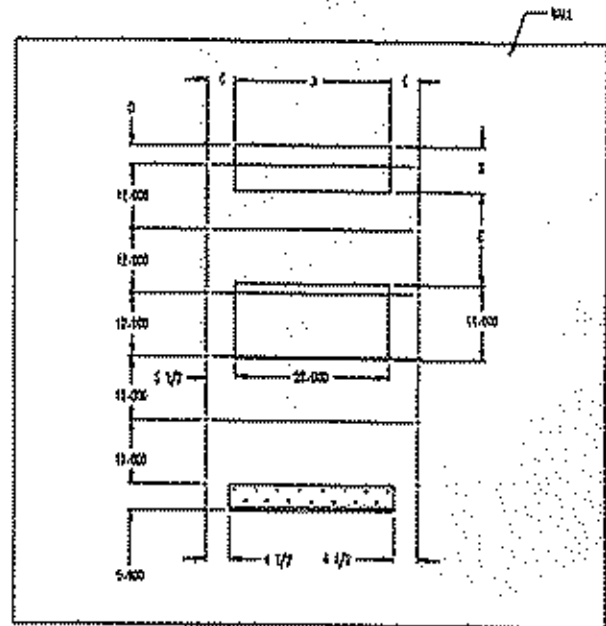
*NOTE: IT IS RECOMMENDED THAT A BEAD OF SILICONE CAULKING BE PLACED BEHIND THE SIDE MOUNTING FLANGES AND UNDER THE TOP FLASHING AT THE TIME OF INSTALLATION.*



**TABLE 6 -- WALL THERMOSTAT AND SUBBASE COMBINATIONS**

Thermostat	Subbase	Predominate Features
8403-002 T87F3111	8404-003 Q539A1220	1 stage heat, 1 stage cool System: heat-off-cool Fan: auto-on
8403-041 T8034C	---	1 stage heat, 1 stage cool System: heat-off-cool Fan: auto-on
8403-019 T874C1780	8404-012 Q674A1001	1 stage cool, 2 stage heat System: heat-auto-cool Fan: auto-on
8403-021 T874D1934	8404-012 Q674A1001	2 stage cool, 2 stage heat System: heat-auto-cool Fan: auto-on
8403-035 1F95-80	---	2 stage cool, 2 stage heat Electronic 7 day programming
8403-043 CM-200	---	1 stage heat, 1 stage cool System: heat-off-cool Fan: auto-on

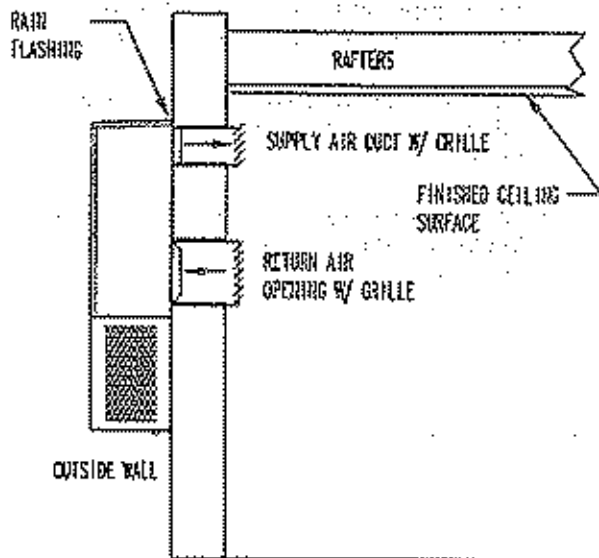
	A	B	C	D	E
REQUIRED CLEARANCE TO MANTON 3/4\"/>	11 1/2	8 1/2	4 1/4	3 1/2	17 1/2
REQUIRED CLEARANCE TO MANTON TECHNICAL 1\"/>	10	10	4 1/2	3 1/2	15 1/2



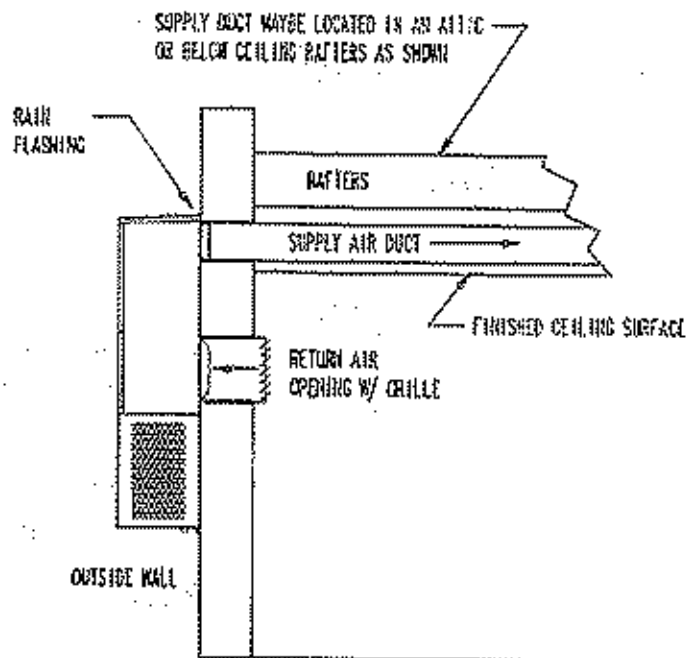
**FIGURE 3 -- MOUNTING INSTRUCTIONS**



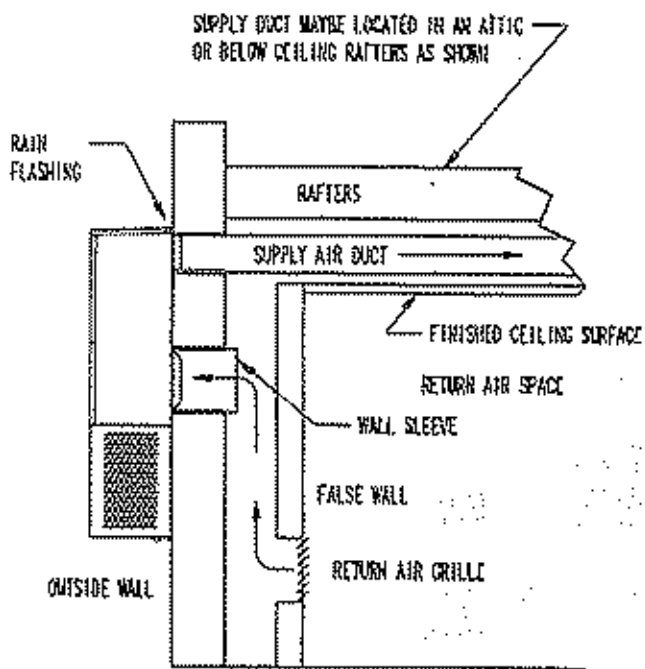
FIGURE 6 - COMMON WALL MOUNTING INSTALLATIONS



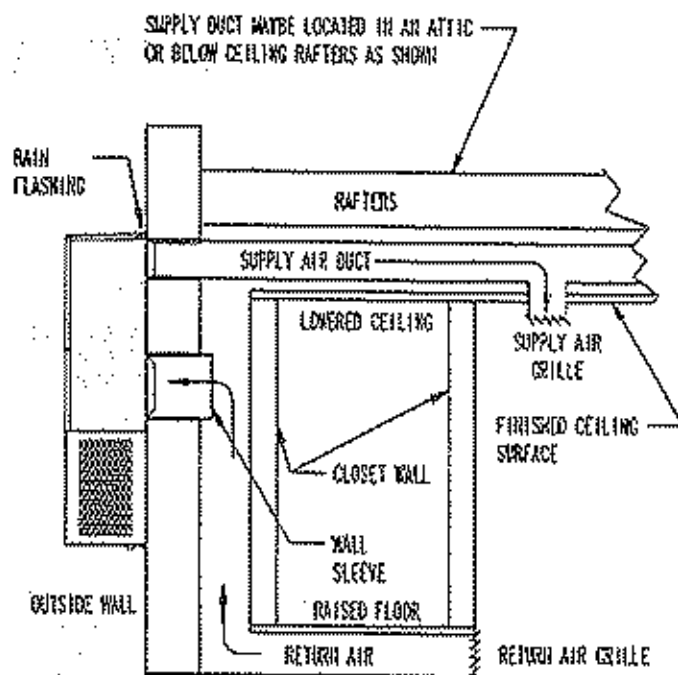
FREE AIR FLOW  
NO DUCT



DUCTED SUPPLY  
RETURN AT UNIT



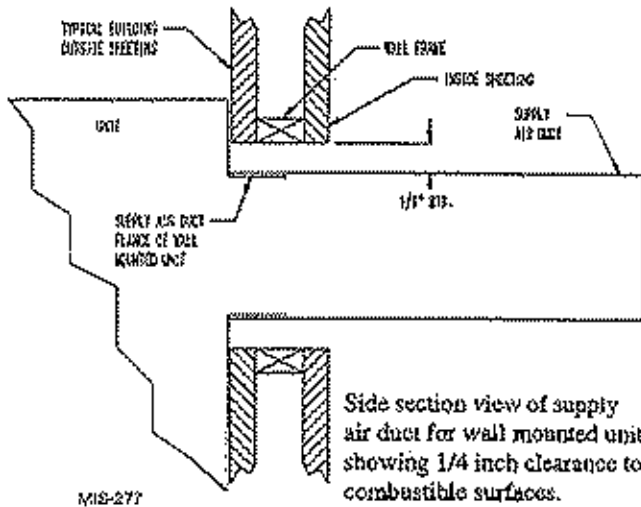
FALSE WALL INSTALLATION



CLOSET INSTALLATION

MS-1050

FIGURE 7 — ELECTRIC HEAT CLEARANCE

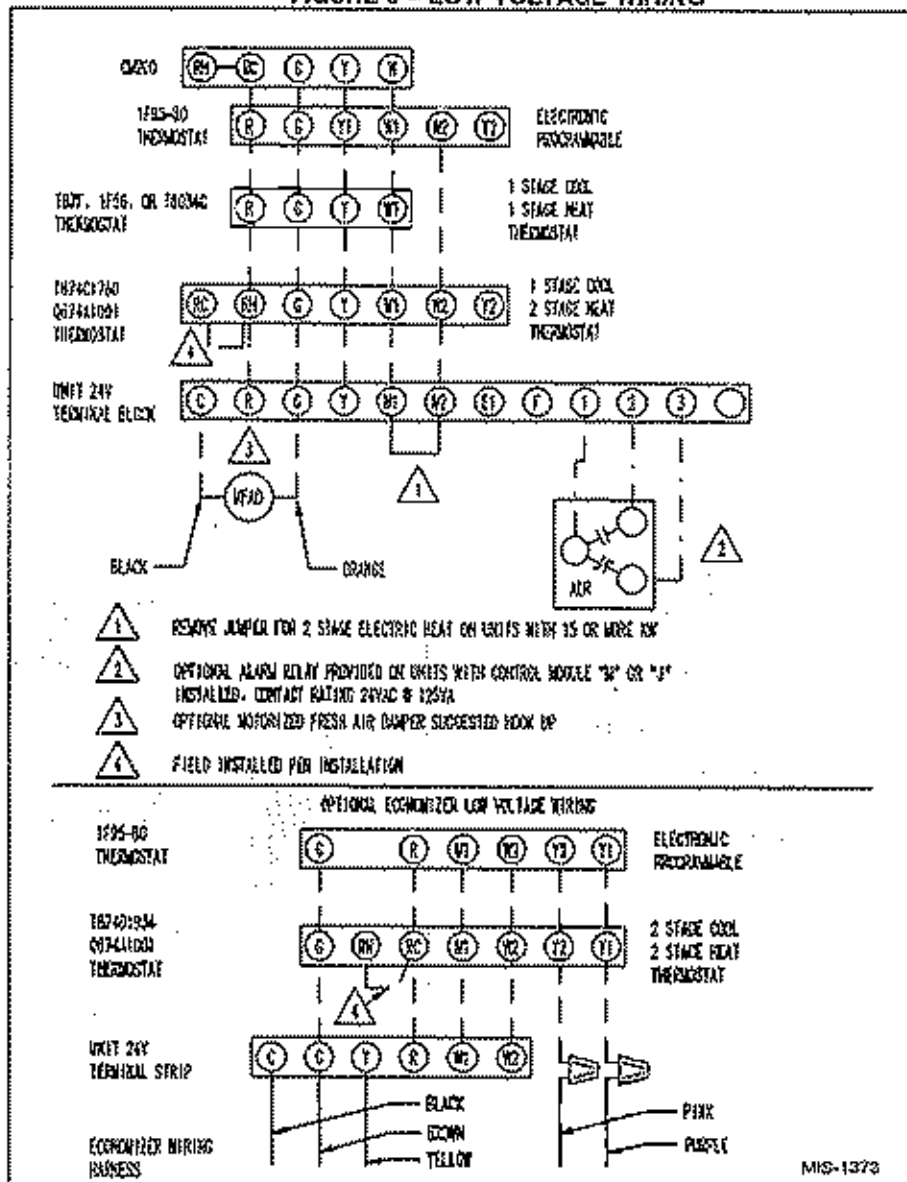


MIS-277

# WARNING

- A minimum of 1/4 inch clearance must be maintained between the supply air duct and combustible materials. This is required for the first 3 feet of ducting.
- It is important to insure that the 1/4 inch minimum spacing is maintained at all points.
- Failure to do this could result in overheating the combustible material and may result in fire.

FIGURE 8 — LOW VOLTAGE WIRING



MIS-1373

## IMPORTANT INSTALLER NOTE

For improved start-up performance, wash the indoor coil with a dishwasher detergent.

## HIGH PRESSURE SWITCH

The WL371 models are supplied with a remote reset high pressure switch. If tripped, this pressure switch may be reset by turning the thermostat off then back on again.

## THREE PHASE SCROLL COMPRESSOR START UP INFORMATION

Scroll compressors, like several other types of compressors, will only compress in one rotational direction. Direction of rotation is not an issue with single phase compressors since they will always start and run in the proper direction.

However, three phase compressors will rotate in either direction depending upon phasing of the power. Since there is a 50-50 chance of connecting power in such a way as to cause rotation in the reverse direction, verification of proper rotation must be made. All three phase units incorporate a phase monitor to ensure proper field wiring. See the *Phase Monitor* section later in this manual.

Verification of proper rotation must be made any time a compressor is change or rewired. If improper rotation is corrected at this time there will be no negative impact on the durability of the compressor. However, reverse operation for over one hour may have a negative impact on the bearing due to oil pump out.

**NOTE:** If compressor is allowed to run in reverse rotation for several minutes, the compressor's internal protector will trip.

All three phase ZR3 compressors are wired identical internally. As a result, once the correct phasing is determined for a specific system or installation, connecting properly phased power leads to the same Fusite terminal should maintain proper rotation direction.

Verification of proper rotation direction is made by observing that suction pressure drops and discharge pressure rises when the compressor is energized. Reverse rotation also results in an elevated sound level over that with correct rotations, as well as, substantially reduced current draw compared to tabulated values.

The direction of rotation of the compressor may be changed by reversing any two line connections to the unit.

## SERVICE HINTS

1. Caution homeowner to maintain clean air filters at all times. Also, not to needlessly close off supply and return air registers. This reduces air flow through the system, which shortens equipment service life as well as increasing operating costs.
2. Switching to heating cycle at 75°F or higher outside temperature may cause a nuisance trip of the remote reset high pressure switch. Turn thermostat off, then on to reset the high pressure switch.
3. The heat pump wall thermostats perform multiple functions. Be sure that all function switches are correctly set for the desired operating mode before trying to diagnose any reported service problems.
4. Check all power fuses or circuit breakers to be sure they are the correct rating.
5. Periodic cleaning of the outdoor coil to permit full and unrestricted airflow circulation is essential.

## SEQUENCE OF OPERATION

Cooling—Circuit R-Y makes at thermostat pulling in compressor contactor, starting the compressor and outdoor motor. The G (indoor motor) circuit is automatically completed on any call for cooling operation or can be energized by manual fan switch on subbase for constant air circulation. On all 230 volt units there is a one minute off delay on the blower motor. 460 volt models do not have an off delay. On a call for heating, circuit R-W1 make at the thermostat pulling in heat contact for the strip heat and blower operation. On a call for second stage heat, R-W2 makes bringing on second heat contactor, if so equipped.

## COMPRESSOR CONTROL MODULE

The compressor control module is optional on the models covered by this manual. The compressor control is an anti-short cycle/lockout timer with high and low pressure switch monitoring and alarm relay output.

### Adjustable Delay on Make and Break Timer

On initial power up or any time power is interrupted to the unit the *delay on make* period begins which will be 2 minutes plus 10% of the *delay on break* setting. When the delay on make is complete and the high pressure switch (and low pressure switch if employed) is closed, the compressor contactor is energized. Upon shutdown the delay or break timer starts and prevents restart until the delay on break and delay on make periods have expired.

During routine operation of the unit with no power interruptions the compressor will operate on demand with no delay.

### High Pressure Switch and Lockout Sequence

If the high pressure switch opens, the compressor contactor will de-energize immediately. The lockout timer will go into a *soft lockout* and stay in soft lockout until the high pressure switch closes and the delay on make time has expired. If the high pressure switch opens again in this same operating cycle the unit will go into *manual lockout* condition and the alarm relay circuit will energize. Recycling the wall thermostat resets the manual lockout.

### Low Pressure Switch, Bypass, and Lockout Sequence

If the low pressure switch opens for more than 120 seconds, the compressor contactor will de-energize and go into a soft lockout. Regardless the state of the low pressure switch, the contactor will reenergize after the delay on make time delay has expired. If the low pressure switch remains open, or opens again for longer than 120 seconds the unit will go into manual lockout condition and the alarm relay circuit will energize. Recycling the wall thermostat resets the manual lockout.

### Alarm Relay Output

Alarm terminal is output connection for applications where alarm relay is employed. This terminal is powered whenever compressor is locked out due to HPC or LPC sequences as described.

*NOTE: Both high and low pressure switch controls are inherently automatic reset devices. The high pressure switch and low pressure switch cut out and cut in settings are fixed by specific air conditioner or heat pump unit model. The lockout features, both soft and manual, are a function of the Compressor Control Module.*

## ADJUSTMENTS

### Adjustable Delay on Make and Delay on Break Timer

The potentiometer is used to select Delay on Break time from 30 seconds to 5 minutes. Delay on Make (DOM) timing on power-up and after power interruptions is equal to 2 minutes plus 10% of Delay on Break (DOB) setting:

0.5 minute (30 seconds)	DOB = 123 second	DOM
1.0 minute (60 seconds)	DOB = 126 second	DOM
2.0 minute (120 seconds)	DOB = 132 second	DOM
3.0 minute (180 seconds)	DOB = 138 second	DOM
4.0 minute (240 seconds)	DOB = 144 second	DOM
5.0 minute (300 seconds)	DOB = 150 second	DOM

During routine operation of the unit with no power interruptions the compressor will operate on demand with no delay.

### Typical Settings for Dual Unit Installation:

Unit No. 1: DOB set at 2 minutes, and DOM is 132 seconds

Unit No. 2: DOB set at 4 minutes, and DOM is 144 seconds

## PHASE MONITOR

All units with three phase compressors are equipped with a 3 phase line monitor to prevent compressor damage due to phase reversal.

The phase monitor in this unit is equipped with two LEDs. If the Y signal is present at the phase monitor and phases are correct the green LED will light.

If phases are reversed, the red fault LED will be lit and compressor operation is inhibited.

If a fault condition occurs, reverse two of the supply leads to the unit. Do not reverse any of the unit factory wires as damage may occur.

## PRESSURE SERVICE PORTS

High and low pressure service ports are installed on all units so that the system operating pressures can be observed. Pressure tables can be found later in the manual covering all models. It is imperative to match the correct pressure table to the unit by model number.

# TROUBLESHOOTING

## FAN BLADE SETTING DIMENSIONS

Shown in the drawing below is the correct fan blade setting dimension for proper air delivery across the outdoor coil.

Any service work requiring removal or adjustment in the fan and/or motor area will require that the dimension below be checked and blade adjusted in or out on the motor shaft accordingly.

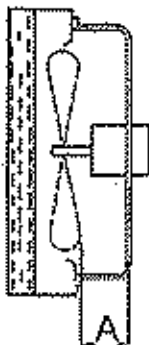


FIGURE 10 - FAN BLADE SETTING

TABLE 7 - FAN BLADE DIMENSIONS

Model	Dimension A
WL371	1.25

## REMOVAL OF FAN SHROUD

1. Disconnect all power to unit.
2. Remove the screws holding both grills - one on each side of unit - and remove grills.
3. Remove screws holding fan shroud to condenser and bottom - 9 screws.
4. Un-wire condenser fan motor.
5. Slide complete motor, fan blade, and shroud assembly out the left side of the unit.
6. Service motor/fan as needed.
7. Reverse steps to reinstall.

## REFRIGERANT CHARGE

The correct system R-22 charge is shown on the unit rating plate. Optimum unit performance will occur with a refrigerant charge resulting in a suction line temperature 6 inches from compressor) as shown in the following table:

TABLE 8 - SUCTION LINE TEMPERATURES

Models	Rated Airflow	95 F OD Temp.	82 F OD Temp.
WL371	1,100	57 - 59	62 - 64

The above suction line temperatures are based upon 80°F dry bulb/67°F wet bulb (50 percent R.H.) temperature and rated airflow across the evaporator during cooling cycle.

TABLE 9 - INDOOR BLOWER PERFORMANCE - CFM AT 230 VOLTS

E.S.P. In H <sub>2</sub> O	WL371	
	High Speed Dry / Wet Coil	Low Speed Dry / Wet Coil
.0	1,395 / 1,315	950 / 935
.1	1,340 / 1,270	930 / 915
.2	1,285 / 1,190	910 / 885
.3	1,205 / 1,100	855 / 830
.4	1,100 / 1,000	800 / 755
.5	1,005 / 870	

TABLE 10 - CFM AND ESP

Model	① Rated CFM	① Rated ESP	Recommended Airflow Range
WL371	1,100	.30	930 - 1,350

① Rated CFM and ESP on high speed tap

TABLE 11 - MAXIMUM ESP OF OPERATION ELECTRIC HEAT ONLY

Model Speed KW	Front Outlet	
	Low Speed	High Speed
A0Z	.50	.50
A05	.50	.50
A10	.45	.50
A15	.35	.40
B0Z	.50	.50
B09	.50	.50
B15	.30	.45
C0Z	.50	.50
C09	.40	.50
C15	.35	.45

Values shown are for units equipped with Standard 1 inch throwaway filter or 1 inch washable filter. Derate ESP by .15 for 2 inch pleated filter.

**TABLE 12 -- COOLING PRESSURE -- OUTDOOR TEMPERATURE °F**

Model	Return Air Temperature	Pressure	75	80	85	90	95	100	105	110	115
WL371	75 deg DB 62 deg WB	Low Side	69	70	72	74	75	77	78	79	79
		High Side	200	214	229	245	261	279	296	316	335
	80 deg DB 67 deg WB	Low Side	75	75	77	79	80	82	83	84	85
		High Side	205	219	235	251	268	286	304	324	344
	85 deg DB 72 deg WB	Low Side	77	78	80	82	83	85	86	87	88
		High Side	212	227	243	260	277	298	315	335	358

Low side pressure ± 2 psig

High side pressure ± 6 psig

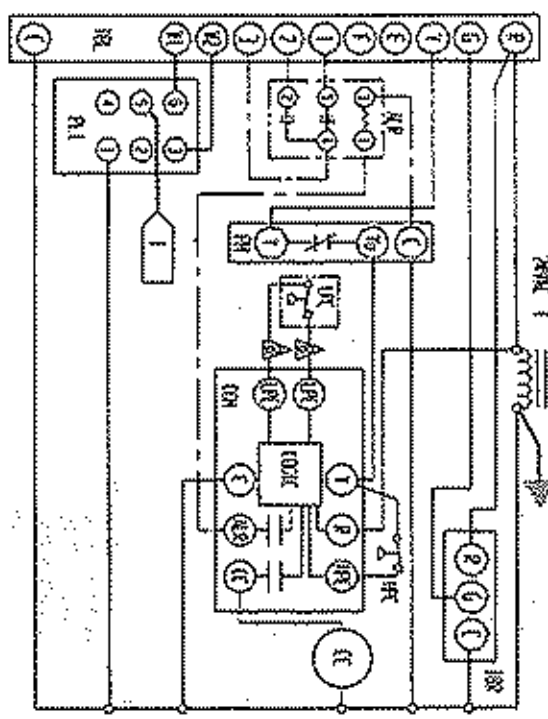
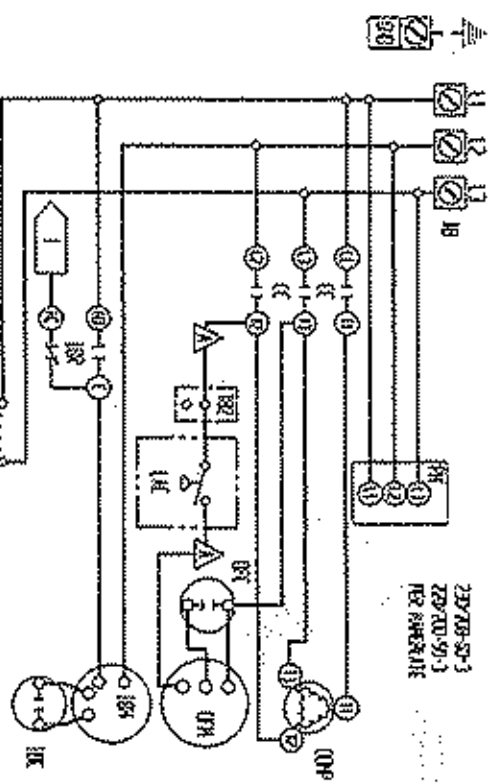
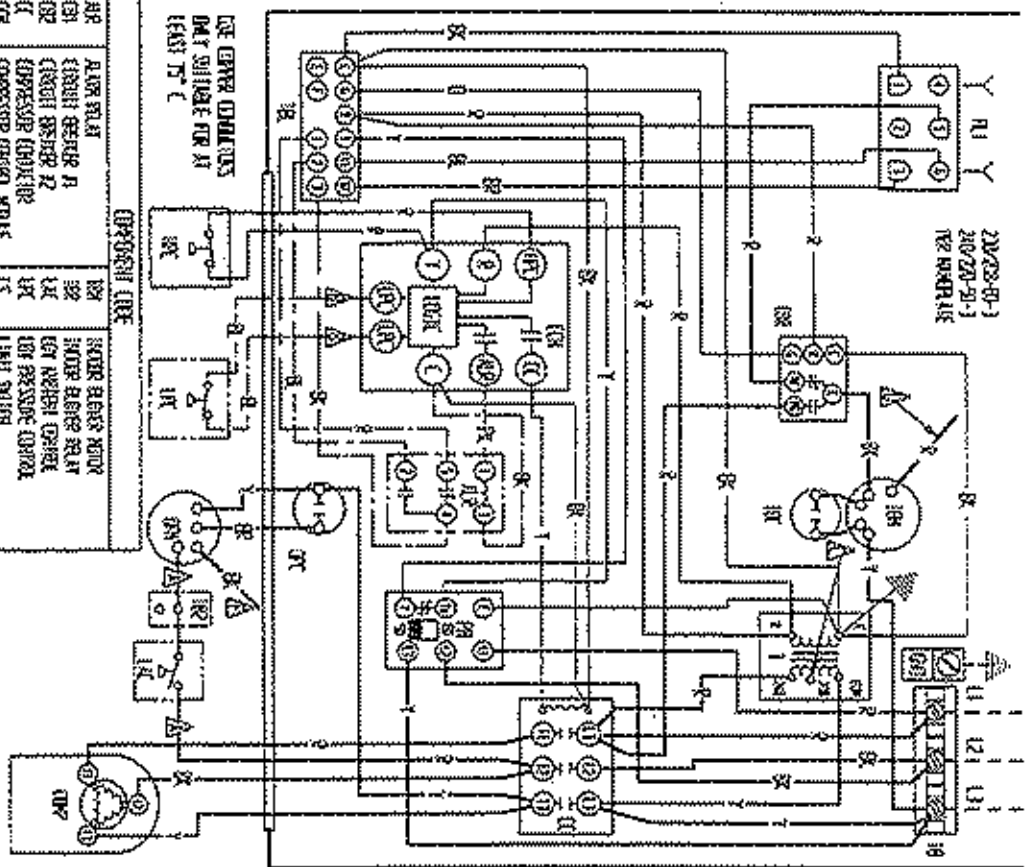
Tables are based upon rated CFM (airflow) across the evaporator coil and should be found under section titled "refrigerant charge" elsewhere in manual. If there is any doubt as to correct charge being in the system, the charge should be removed, system evacuated and recharged to serial plate instructions.

**TABLE 13 -- OPTIONAL ACCESSORIES**

MODEL	DESCRIPTION	WL371-A	WL371-B	WL371-C
BOP-3	Blank Off Plate	X	X	X
BFAD-3	Barometric Fresh Air Damper	X	X	X
MFAD-3	Motorized Fresh Air Damper	X	X	X
CRV-3	Commercial Ventilator with Exhaust	X	X	X
EIFM-3	Economizer with Exhaust	X	X	X
CMC-15	Start Kit	X		







REF	DESCRIPTION	WIRING	TEST POINT
R1	ALARM BELL	W1	1
R2	CONDENSER FAN MOTOR	W2	2
R3	EVAPORATOR FAN MOTOR	W3	3
R4	COMPRESSOR OVERLOAD MOTOR	W4	4
R5	COMPRESSOR	W5	5
R6	TEMPERATURE SENSING	W6	6
R7	HEAD STEP #1	W7	7
R8	HEAD STEP #2	W8	8
R9	HEAD CONTACTOR #1	W9	9
R10	HEAD CONTACTOR #2	W10	10
R11	HEAD PRESSURE CONTROL	W11	11
R12	HEAD RELAY CONTACTOR	W12	12

REF	DESCRIPTION	WIRING	TEST POINT
R13	HEAD RELAY MOTOR	W13	13
R14	HEAD RELAY CONTACTOR	W14	14
R15	HEAD PRESSURE CONTROL	W15	15
R16	HEAD SWITCH	W16	16
R17	HEAD FAN MOTOR	W17	17
R18	HEAD FAN CONTACTOR	W18	18
R19	HEAD FAN CONTACTOR	W19	19
R20	HEAD FAN CONTACTOR	W20	20
R21	HEAD FAN CONTACTOR	W21	21
R22	HEAD FAN CONTACTOR	W22	22
R23	HEAD FAN CONTACTOR	W23	23
R24	HEAD FAN CONTACTOR	W24	24
R25	HEAD FAN CONTACTOR	W25	25
R26	HEAD FAN CONTACTOR	W26	26
R27	HEAD FAN CONTACTOR	W27	27
R28	HEAD FAN CONTACTOR	W28	28
R29	HEAD FAN CONTACTOR	W29	29
R30	HEAD FAN CONTACTOR	W30	30
R31	HEAD FAN CONTACTOR	W31	31
R32	HEAD FAN CONTACTOR	W32	32
R33	HEAD FAN CONTACTOR	W33	33
R34	HEAD FAN CONTACTOR	W34	34
R35	HEAD FAN CONTACTOR	W35	35
R36	HEAD FAN CONTACTOR	W36	36
R37	HEAD FAN CONTACTOR	W37	37
R38	HEAD FAN CONTACTOR	W38	38
R39	HEAD FAN CONTACTOR	W39	39
R40	HEAD FAN CONTACTOR	W40	40
R41	HEAD FAN CONTACTOR	W41	41
R42	HEAD FAN CONTACTOR	W42	42
R43	HEAD FAN CONTACTOR	W43	43
R44	HEAD FAN CONTACTOR	W44	44
R45	HEAD FAN CONTACTOR	W45	45
R46	HEAD FAN CONTACTOR	W46	46
R47	HEAD FAN CONTACTOR	W47	47
R48	HEAD FAN CONTACTOR	W48	48
R49	HEAD FAN CONTACTOR	W49	49
R50	HEAD FAN CONTACTOR	W50	50
R51	HEAD FAN CONTACTOR	W51	51
R52	HEAD FAN CONTACTOR	W52	52
R53	HEAD FAN CONTACTOR	W53	53
R54	HEAD FAN CONTACTOR	W54	54
R55	HEAD FAN CONTACTOR	W55	55
R56	HEAD FAN CONTACTOR	W56	56
R57	HEAD FAN CONTACTOR	W57	57
R58	HEAD FAN CONTACTOR	W58	58
R59	HEAD FAN CONTACTOR	W59	59
R60	HEAD FAN CONTACTOR	W60	60
R61	HEAD FAN CONTACTOR	W61	61
R62	HEAD FAN CONTACTOR	W62	62
R63	HEAD FAN CONTACTOR	W63	63
R64	HEAD FAN CONTACTOR	W64	64
R65	HEAD FAN CONTACTOR	W65	65
R66	HEAD FAN CONTACTOR	W66	66
R67	HEAD FAN CONTACTOR	W67	67
R68	HEAD FAN CONTACTOR	W68	68
R69	HEAD FAN CONTACTOR	W69	69
R70	HEAD FAN CONTACTOR	W70	70
R71	HEAD FAN CONTACTOR	W71	71
R72	HEAD FAN CONTACTOR	W72	72
R73	HEAD FAN CONTACTOR	W73	73
R74	HEAD FAN CONTACTOR	W74	74
R75	HEAD FAN CONTACTOR	W75	75
R76	HEAD FAN CONTACTOR	W76	76
R77	HEAD FAN CONTACTOR	W77	77
R78	HEAD FAN CONTACTOR	W78	78
R79	HEAD FAN CONTACTOR	W79	79
R80	HEAD FAN CONTACTOR	W80	80
R81	HEAD FAN CONTACTOR	W81	81
R82	HEAD FAN CONTACTOR	W82	82
R83	HEAD FAN CONTACTOR	W83	83
R84	HEAD FAN CONTACTOR	W84	84
R85	HEAD FAN CONTACTOR	W85	85
R86	HEAD FAN CONTACTOR	W86	86
R87	HEAD FAN CONTACTOR	W87	87
R88	HEAD FAN CONTACTOR	W88	88
R89	HEAD FAN CONTACTOR	W89	89
R90	HEAD FAN CONTACTOR	W90	90
R91	HEAD FAN CONTACTOR	W91	91
R92	HEAD FAN CONTACTOR	W92	92
R93	HEAD FAN CONTACTOR	W93	93
R94	HEAD FAN CONTACTOR	W94	94
R95	HEAD FAN CONTACTOR	W95	95
R96	HEAD FAN CONTACTOR	W96	96
R97	HEAD FAN CONTACTOR	W97	97
R98	HEAD FAN CONTACTOR	W98	98
R99	HEAD FAN CONTACTOR	W99	99
R100	HEAD FAN CONTACTOR	W100	100

REF	DESCRIPTION	WIRING	TEST POINT
R101	HEAD FAN CONTACTOR	W101	101
R102	HEAD FAN CONTACTOR	W102	102
R103	HEAD FAN CONTACTOR	W103	103
R104	HEAD FAN CONTACTOR	W104	104
R105	HEAD FAN CONTACTOR	W105	105
R106	HEAD FAN CONTACTOR	W106	106
R107	HEAD FAN CONTACTOR	W107	107
R108	HEAD FAN CONTACTOR	W108	108
R109	HEAD FAN CONTACTOR	W109	109
R110	HEAD FAN CONTACTOR	W110	110
R111	HEAD FAN CONTACTOR	W111	111
R112	HEAD FAN CONTACTOR	W112	112
R113	HEAD FAN CONTACTOR	W113	113
R114	HEAD FAN CONTACTOR	W114	114
R115	HEAD FAN CONTACTOR	W115	115
R116	HEAD FAN CONTACTOR	W116	116
R117	HEAD FAN CONTACTOR	W117	117
R118	HEAD FAN CONTACTOR	W118	118
R119	HEAD FAN CONTACTOR	W119	119
R120	HEAD FAN CONTACTOR	W120	120
R121	HEAD FAN CONTACTOR	W121	121
R122	HEAD FAN CONTACTOR	W122	122
R123	HEAD FAN CONTACTOR	W123	123
R124	HEAD FAN CONTACTOR	W124	124
R125	HEAD FAN CONTACTOR	W125	125
R126	HEAD FAN CONTACTOR	W126	126
R127	HEAD FAN CONTACTOR	W127	127
R128	HEAD FAN CONTACTOR	W128	128
R129	HEAD FAN CONTACTOR	W129	129
R130	HEAD FAN CONTACTOR	W130	130
R131	HEAD FAN CONTACTOR	W131	131
R132	HEAD FAN CONTACTOR	W132	132
R133	HEAD FAN CONTACTOR	W133	133
R134	HEAD FAN CONTACTOR	W134	134
R135	HEAD FAN CONTACTOR	W135	135
R136	HEAD FAN CONTACTOR	W136	136
R137	HEAD FAN CONTACTOR	W137	137
R138	HEAD FAN CONTACTOR	W138	138
R139	HEAD FAN CONTACTOR	W139	139
R140	HEAD FAN CONTACTOR	W140	140
R141	HEAD FAN CONTACTOR	W141	141
R142	HEAD FAN CONTACTOR	W142	142
R143	HEAD FAN CONTACTOR	W143	143
R144	HEAD FAN CONTACTOR	W144	144
R145	HEAD FAN CONTACTOR	W145	145
R146	HEAD FAN CONTACTOR	W146	146
R147	HEAD FAN CONTACTOR	W147	147
R148	HEAD FAN CONTACTOR	W148	148
R149	HEAD FAN CONTACTOR	W149	149
R150	HEAD FAN CONTACTOR	W150	150

4095-227 B  
 BAND 4095-227 B  
 4095-227 B



