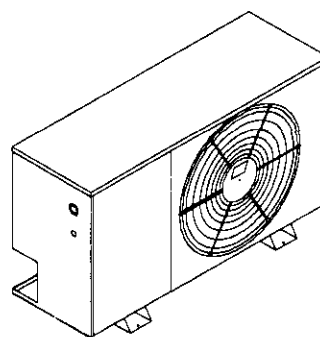


---

# INSTALLATION INSTRUCTIONS

---

## Split Air Conditioner Outdoor Section



**Models: HAC181-AD040  
HAC241-AD040  
HAC301-AD040  
HAC361-AD040  
HAC421-AD040  
HAC481-AD040  
HAC481-BD040  
HAC601-AD040  
HAC601-BD040**

**For Use With:  
Matching Indoor  
Blower Coil Units  
and Matching Add  
On Coil Units Only**



Bard Manufacturing Company  
Bryan, Ohio 43506

*Since 1914...Moving ahead, just as planned.*

Manual No.: 2100-346A  
Supersedes: Rev. 2100-346  
Date: 11-30-98

# Contents

---

<b>Split Air Conditioner General Information</b> .....	<b>1</b>
Split Air Conditioner Model Nomenclature .....	1
<b>Application and Location</b> .....	<b>4</b>
General .....	4
Shipping Damage .....	4
Application .....	4
Location .....	4
<i>Mounting Unit Outside on Slab</i> .....	4
Important Installer Note .....	4
Installing Refrigerant Tubing .....	4
Sweat Style Tubin Connections: Sweat Indoor Unit and Sweat Outdoor Unit .....	5
Field Fabricated Tubing Connections: Quick Connect Indoor Unit and Sweat Outdoor Unit Using CTO Kit .....	6

<b>Wiring Instructions</b> .....	<b>9</b>
General .....	9
Control Circuit Wiring .....	9
Wall Thermostats .....	9
Optional Controls .....	12
Installation Instructions – CMA-5 .....	12
Installation Instructions – CMA-6 .....	12
Installation Instructions – CMA-10A .....	13
Installation Instructions – CMA-13A .....	14
<b>Charging Instructions</b> .....	<b>15</b>
Pressure Service Ports .....	15
System Start-Up (Indoor Units without Expansion Valves) .....	15
<b>Service</b> .....	<b>17</b>
Service Hints .....	17
Fan Blade Setting Dimensions .....	17
Pressure Tables .....	20-23

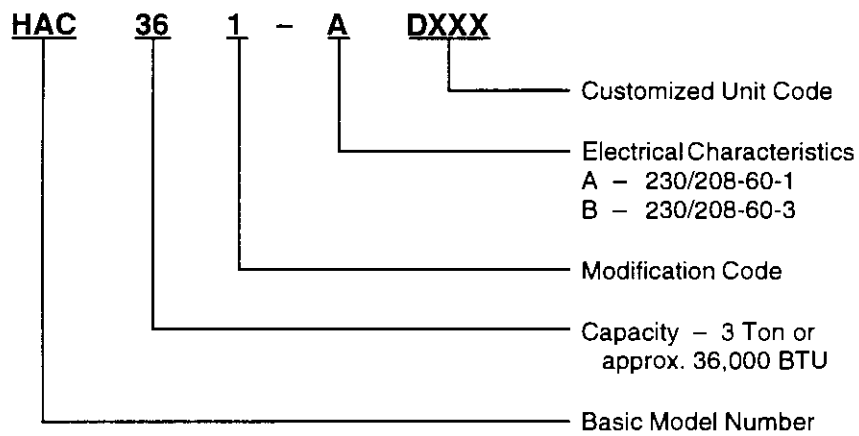
## FIGURES

Figure 1 .....	1
Figure 2 .....	4
Figure 3 .....	5
Figure 4 .....	5
Figure 5 .....	12
Figure 6 .....	12
Figure 7 .....	12
Figure 8 .....	13
Figure 9 .....	14

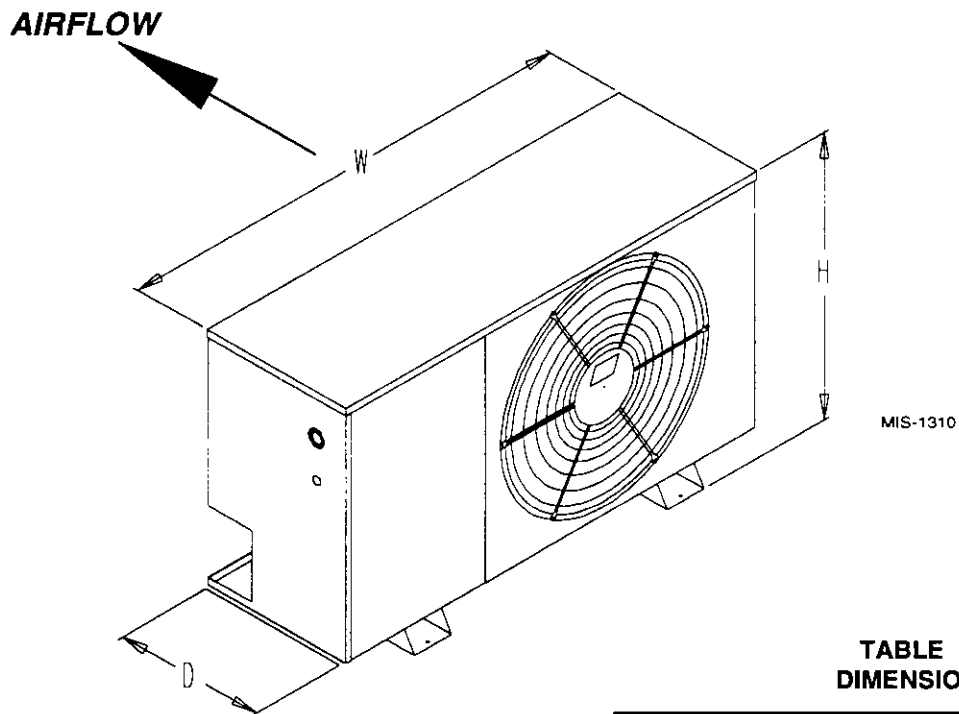
## TABLES

Table 1 .....	1
Table 2 .....	2
Table 3 .....	3
Table 4 .....	6
Table 6 .....	9
Table 7 .....	9
Table 8 .....	9
Table 9 .....	15
Table 10 .....	15
Table 11 .....	16
Table 12 .....	17
Table 13 .....	20
Table 14 .....	20
Table 15 .....	21
Table 16 .....	21
Table 17 .....	22
Table 18 .....	22
Table 19 .....	23

# SPLIT AIR CONDITIONER MODEL NOMENCLATURE



**FIGURE 1**



**TABLE 1  
DIMENSIONS**

Model No.	"W" Width	"D" Depth	"H" Height
HAC181 HAC241	40"	15"	26"
HAC301 HAC361	45"	15"	26"
HAC421 HAC481 HAC601	50"	15"	32"

**TABLE 2  
RATED CFM AND AIR FLOW DATA  
(WET COIL – COOLING)**

Condensing Unit Model No.	Evaporator Coil Model No.	Rated Airflow		Rated E.S.P.	Motor Speed Tap	Recommended Air Flow Range	System Orifice Required
		CFM	Pressure Drop H <sub>2</sub> O				
HAC181-A	A30AS-A	650	.15	.35	Med	550 - 715	.052 *
	S24AS-A	650	.24			550 - 715	.052 *
	BC24C	650				550 - 715	.052 *
HAC241A	A30AS-A	800	.18	.20	High	700 - 910	.055 *
	S24AS-A	780	.30			680 - 890	.055 *
	BC24C	750				700 - 910	.055 *
HAC301-A	A36AS-A	1,000	.20	.30	Low	850 - 1,175	.063 *
	BC36C	1,000				850 - 1,175	.063 *
HAC361-A	A37AS-A	1,100	.18	.27	High	920 - 1,220	.069 *
	BC36C	1,100				920 - 1,220	.069 *
HAC421-A	A42AS-A	1,400	.30	.15 .38	High Low	1,270 - 1,550	.078 *
	A48AS-A	1,500	.26			1,250 - 1,625	.078 *
	BC36C	1,200				1,020 - 1,320	.078 *
	BC60C	1,500				1,250 - 1,625	.078 *
HAC481 -A,-B	A61AS-B	1,700	.28	.25	Low	1,450 - 1,875	.081 *
	BC60C	1,700				1,450 - 1,875	.081 *
HAC601-A,-B	A61AS-B	1,760	.30	.28	High	1,500 - 1,950	.092
	BC60C	1,800				1,525 - 1,975	.092

① Measured across the evaporator coil assembly, including drain pan.

② External static pressure available for the duct system -- supply and return. All blower coils have multispeed motors, and value shown is at the recommended rated speed. Consult specification air flow charts with the blower coil units for complete information at other speeds.

\* **IMPORTANT INFORMATION**

*Proper sized orifice is not factory installed in indoor section. Proper orifice size is shipped with outdoor unit packaged with its installation instructions for indoor sections listed on this page. The orifice must be replaced with the proper system orifice shown above in Table 2.*

For other evaporator coil models not listed, see indoor coil installation instructions for proper orifice information.

**TABLE 3  
SPECIFICATIONS**

MODELS	HAC181-A	HAC241-A	HAC301-A	HAC361-A	HAC421-A	HAC481-A	HAC481-B	HAC601-A	HAC601-B
Electrical Rating (60HZ / V/ PH)	230/208-1	230/208-1	230/208-1	230/208-1	230/208-1	230/208-1	230/208-3	230/208-1	230/208-3
Operating Voltage Range	197 - 253	197 - 253	197 - 253	197 - 253	197 - 253	197 - 253	187 - 253	197 - 253	187 - 253
Minimum Circuit Ampacity	15	15	19	20	25	26	17	35	21
① Field Wire Size	14	14	12	12	10	10	12	8	10
② Delay Fuse Maximum or Circuit Breaker	20	20	30	30	40	45	25	60	35
Total Unit Amps 230/208	7.9 / 8.6	10.2 / 11.4	13.4 / 14.0	14.5 / 15.8	19.1 / 19.6	19.4 / 21.0	12.8 / 13.4	22.7 / 26.7	15.3 / 17.2
<b>COMPRESSOR</b>									
Volts 230/208	230/208	230/208	230/208	230/208	230/208	230/208	230/208	230/208	230/208
Rated Load Amps	6.8 / 7.5	9.1 / 10.3	12.3 / 12.9	13.4 / 14.7	17.6 / 18.1	17.9 / 19.5	11.3 / 11.9	21.2 / 25.2	13.8 / 15.7
Branch Circuit Selection Current	8.6	10.3	13.7	14.7	18.1	19.5	12.6	26.3	15.7
Lock Rotor Amps 230/208	49/49	56/56	75/75	82/82	105/105	102/102	91/91	135/135	150/150
Crankcase Heat	None	None	None	None	Immersion Type	Immersion Type	Immersion Type	None	None
<b>FAN MOTOR and CONDENSER</b>									
Fan Motor HP / RPM	1/6 825	1/6 825	1/6 825	1/6 825	1/4 825	1/4 825	1/4 825	1/4 825	1/4 825
Fan Motor Amps	1.1	1.1	1.1	1.1	1.5	1.5	1.5	1.5	1.5
Fan Diameter	20" 2,000	20" 2,000	20" 2,000	20" 2,000	24" 2,600	24" 2,600	24" 2,600	24" 2,600	24" 2,600
<b>SWEAT CONNECT SYSTEM</b>									
Suction Line Size ID	5/8"	3/4"	3/4"	3/4"	7/8"	7/8"	7/8"	7/8"	7/8"
Liquid Line Size ID	1/4"	3/8"	3/8"	3/8"	3/8"	3/8"	3/8"	3/8"	3/8"
Factory Charge R-22 Oz.	73 oz.	79 oz.	84 oz.	96 oz.	102 oz.	155 oz.	155 oz.	153 oz.	153 oz.
<b>SHIPPING WEIGHT LBS.</b>	155	155	180	180	250	250	250	255	255

# APPLICATION and LOCATION

## GENERAL

These instructions explain the recommended method to install the air cooled remote type condensing unit, the interconnecting refrigerant tubing and the electrical wiring connections to the unit.

The condensing units are to be used in conjunction with the matching evaporator coils or evaporator blower units for comfort cooling applications as shown in the specification sheet.

These instructions and any instructions packaged with any separate equipment required to make up the entire air conditioning system should be carefully read before beginning the installation. Note particularly "Starting Procedure" and any tags and/or labels attached to the equipment.

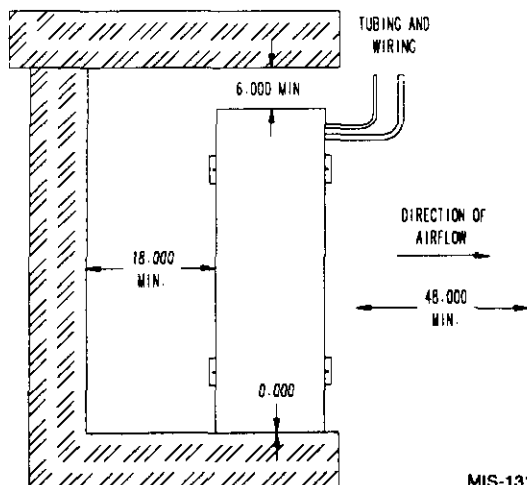
## SHIPPING DAMAGE

Upon receipt of equipment, the carton should be checked for external signs of shipping damage. If damage is found, the receiving part must contact the last carrier immediately, preferably in writing, requesting inspection by the carrier's agent.

## APPLICATION

Size of unit for a proposed installation should be based on heat loss calculation and air duct sizing made according to methods of Air Conditioning Contractors of America. The air duct should be installed in accordance with the Standards of the National Fire Protection Association for the Installation of Air Conditioning and Ventilating Systems of Other Than Residence Type, NFPA 90A, and Residence Type Warm Air Heating and Air Conditioning Systems, NFPA 90B. Where local regulations are at a variance with instructions, installer should adhere to local codes.

**FIGURE 2**  
**INSTALLATION CLEARANCE**



## LOCATION

The condensing unit is designed to be located outside with free and unobstructed condenser air inlet and discharge. It must also permit access for service and installation. Condenser air enters from the rear of the unit as shown in Figure 2.

## MOUNTING UNIT OUTSIDE ON SLAB

A solid level base or platform, capable to support the unit's weight, must be set at the outdoor unit predetermined location. The base should be at least two inches larger than the base dimensions of the unit and at least two inches higher than surrounding grade level. The required unit minimum installed clearances must be maintained as called out in Figure 2 when locating and setting the base.

Remove the unit from its shipping carton and position the unit on the prepared base or platform.

*NOTE: These units employ internally sprung compressors; therefore, it is not necessary to remove or loosen the base mounting bolts on the compressor prior to operation.*

Consideration should be given to the electrical and tubing connections when placing the unit to avoid unnecessary bends or length of material.

## IMPORTANT INSTALLER NOTE

For improved start up performance, wash the indoor coil with a dishwashing detergent.

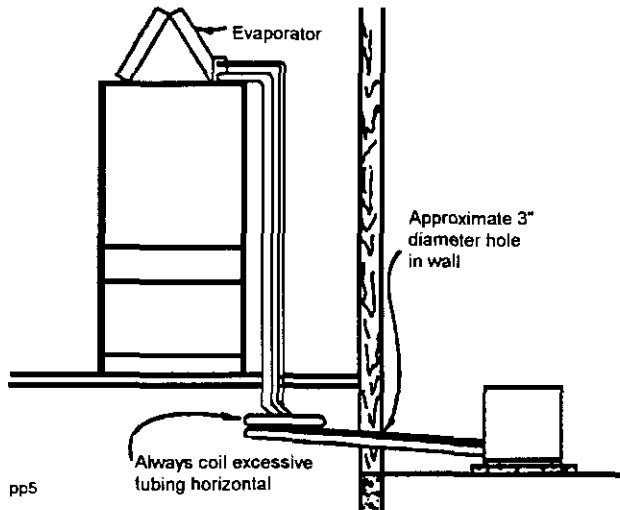
## INSTALLATION REFRIGERANT TUBING

The information that follows on installing refrigerant tubing and for changing the system orifice (if required) covers applications listed in the front of this installation instruction only. Although other indoor units may be of similar construction, the installation instructions for these units should be consulted for proper installation of those units prior to installation.

This information is provided for the field service personnel to install refrigerant tubing in compliance with Section 608 of Title VI National Recycling and Emission Reduction Program for the U.S. Clean Air Act effective July 1, 1992.

Consult manual 2100-002 on procedure for leak test – evacuation – charging before installation refrigerant tubing that requires any refrigerant recovery or system evacuation. Manual 2100-002 is included with the unit installation instruction package when shipped from the factory.

**FIGURE 3  
INSTALLING REFRIGERANT TUBING**



pp5

**SWEAT STYLE TUBING CONNECTIONS: SWEAT INDOOR UNIT and SWEAT OUTDOOR UNIT**

Use only refrigeration grade (dehydrated and sealed) copper tubing. Care must be taken to insure that the tubing is kept clean and dry before and during installation. Do not remove the plugs from the tubing ends, coil connections or base valves until the connection is ready to be brazed.

The suction line must be insulated with a minimum of 3/8" Armaflex or equivalent before cutting and making connections.

1. Being careful not to kink, route both the suction line and liquid line between the indoor unit and outdoor unit. Use a tubing bender to make any necessary bends in tubing. When necessary to bend the insulated tube suction line, cut the insulation around its circumference at a distance far enough beyond the point of the bend so as to clear the tubing bender. Slip the insulation back together and vapor seal the joint with tape. Coil any excess tubing in a horizontal place with the slope of the tubing toward the condensing unit. See Figure 3.

**CAUTION**

1. Be careful not to tear the insulation when pushing it through hole in masonry or frame walls. 2. When sealing the tube opening in house wall, use a soft material to prevent tube damage and vibration transmission. 3. Avoid excessive bending in any one place to avoid kinking.

2. The tubing ends should be cut square. Make sure it is round and free of burrs at the connecting ends. Clean the tubing to prevent contaminants from entering the system.

**NOTE: Do not braze line to units! If orifice needs to be changed, change out orifice first.**

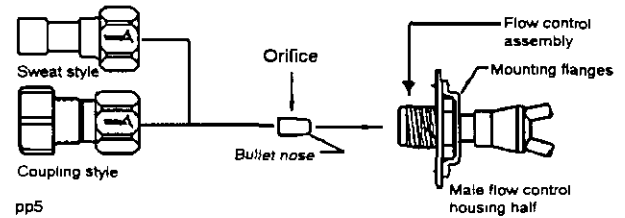
If the orifice does not have to be changed, skip the instructions outlined further in Step 3 and proceed to Step 8.

3. Disassemble Flow Control Assembly by turning body hex.
4. If existing orifice has not dropped out of the body when disassembled, remove by using a pin or paper clip. Discard this original orifice.
5. Insert proper sized orifice fully into the flow control body with rounded "bullet" nose towards the unit as shown in Figure 4. Insure the orifice stays inserted in body before connecting mating half. See chart in the outdoor unit installation instructions for proper size.

**CAUTION**

Be sure there is no dirt introduced into the flow control - orifice assembly. Be sure to install the orifice with the bullet nose pointing in the proper direction as shown in Figure 4. Failure to do so will result in improper operation.

**FIGURE 4  
FLOW CONTROL ASSEMBLY  
FIELD ORIFICE REPLACEMENT INSTRUCTIONS**



pp5

6. Thread assembly halves together by hand to insure proper mating of threads and tighten until bodies "bottom" or a definite resistance is felt.
7. Using a marker pen or ink pen, mark a line lengthwise from the union nut to the bulkhead. Then tighten an additional 1/6 turn (or 1 hex flat). The misalignment of the line will show the amount the assembly has been tightened. This final 1/6 turn is necessary to insure the formation of the leakproof joint.
8. Wrap a wet rag around the copper stub before brazing.
9. Flux the copper tube and insert into the stub. Braze the joint using an alloy of silver or copper and phosphorus with a melting temperature above 1,100° F for copper to copper joints. The phosphorus will act as a flux, therefore, no flux will be required.

A copper-silver alloy with a high silver content should be used when iron or steel material is involved in the joint. These alloys require the use of silver solder flux. Alloys containing phosphorus should not be used with iron or steel. Phosphorus reacts with the iron forming iron phosphate which is extremely brittle.

## CAUTION

1. Brazing alloys with a melting temperature below 700° F should not be used. 2. Lead-tin or tin-antimony solders should not be used due to their low melting point and necessity for corrosive fluxes.

To further prevent the formation of copper oxide inside the tubing, dry nitrogen may be purged through the refrigerant system during brazing.

## WARNING

Never purge or pressurize a system with oxygen. An explosion and fire will result.

10. After brazing, quench with wet rag to cool the joint and remove any flux residue.
11. Leak test all connections using an electronic leak detector or a halide torch.
12. Evacuate suction line, liquid line and indoor unit through outdoor unit base valves.
13. Open both the suction and liquid base valves to the fully open position. Refer to section later in installation instructions for details on setting proper system charge.

### FIELD FABRICATED TUBING CONNECTIONS: QUICK CONNECT INDOOR UNIT and SWEAT OUTDOOR UNIT USING CTO KIT

Use only refrigeration grade (dehydrated and sealed) copper tubing. Care must be taken to insure that the tubing is kept clean and dry before and during installation. Do not remove the plugs from the tubing ends, coil connections or base valves until the connection is ready to be brazed.

The suction line must be insulated with a minimum of 3/8" Armaflex or equivalent before cutting and making connections.

1. Being careful not to kink, route both the suction line and liquid line between the indoor unit and outdoor unit. Use a tubing bender to make any necessary bends in tubing. When necessary to bend the insulated tube suction line, cut the insulation around its circumference at a distance far enough beyond the point of the bend so as to clear the tubing bender. Slip the insulation back together and vapor seal the joint with tape. Coil any excess tubing in a horizontal place with the slope of the tubing toward the condensing unit. See Figure 3.

## CAUTION

1. Be careful not to tear the insulation when pushing it through hole in masonry or frame walls. 2. When sealing the tube opening in house wall, use a soft material to prevent tube damage and vibration transmission. 3. Avoid excessive bending in any one place to avoid kinking.

**TABLE 4  
TUBING CHART**

Basic Condensing Unit Model	Refrigerant Line Length (Ft.)					
	0 - 20		21 - 60		61 - 100	
	Liquid	Suction	Liquid	Suction	Liquid	Suction
HAC181	1/4"	5/8"	1/4"	5/8"	3/8"	3/4"
HAC241	3/8"	5/8"	3/8"	3/4"	3/8"	3/4"
HAC301	3/8"	5/8"	3/8"	3/4"	3/8"	3/4"
HAC361	3/8"	5/8"	3/8"	3/4"	1/2"	7/8"
HAC421	3/8"	3/4"	3/8"	7/8"	1/2"	7/8"
HAC481	3/8"	7/8"	3/8"	7/8"	1/2"	1-1/8"
HAC601	3/8"	7/8"	3/8"	7/8"	1/2"	1-1/8"



- The tubing ends should be cut square. Make sure it is round and free of burrs at the connecting ends. Clean the tubing to prevent contaminants from entering the system.

**NOTE:** *Do not make any tubing connection at indoor unit at this time. Make all brazing of joints and evacuate both suction and liquid line first.*

- Wrap a wet rag around the copper stub before brazing.
- Flux the copper tube and insert into the stub. Braze the joint using an alloy of silver or copper and phosphorus with a melting temperature above 1,100° F for copper to copper joints. The phosphorus will act as a flux, therefore, no flux will be required.

A copper-silver alloy with a high silver content should be used when iron or steel material is involved in the joint. These alloys require the use of silver solder flux. Alloys containing phosphorus should not be used with iron or steel. Phosphorus reacts with the iron forming iron phosphate which is extremely brittle.

To further prevent the formation of copper oxide inside the tubing, dry nitrogen may be purged through the refrigerant system during brazing.

## CAUTION

- Brazing alloys with a melting temperature below 700° F should not be used.
- Lead-tin or tin-antimony solders should not be used due to their low melting point and necessity for corrosive fluxes.

## WARNING

Never purge or pressurize a system with oxygen. An explosion and fire will result.

- After brazing, quench with wet rag to cool the joint and remove any flux residue.
- Leak test all connections using an electronic leak detector or a halide torch.
- Evacuate suction line and liquid line through outdoor unit base valves.

If orifice does not have to be changed, skip the instructions outlined further in Step 8 and proceed to Step 15.

- Recover charge from the indoor unit.
  - Connect the suction line only to the indoor unit as outlined in Steps 15, 16, and 17.
  - Recover indoor unit and suction line unit charge through service port located on outdoor unit base valve.
- Disassemble Flow Control Assembly by turning body hex.
- If existing orifice has not dropped out of the body when disassembled, remove by using a pin or paper clip. Discard this original orifice.
- Insert proper sized orifice fully into the flow control body with rounded "bullet" nose towards the unit as shown in Figure 4. Insure the orifice stays inserted in body before connecting mating half. See chart in the outdoor unit installation instructions for proper size.

## CAUTION

Be sure there is no dirt introduced into the flow control – orifice assembly. Be sure to install the orifice with the bullet nose pointing in the proper direction as shown in Figure 4. Failure to do so will result in improper operation.

- Thread assembly halves together by hand to insure proper mating of threads and tighten until bodies "bottom" or a definite resistance is felt.
- Using a marker pen or ink pen, mark a line lengthwise from the union nut to the bulkhead. Then tighten an additional 1/6 turn (or 1 hex flat). The misalignment of the line will show the amount the assembly has been tightened. This final 1/6 turn is necessary to insure the formation of the leakproof joint.
- Evacuate the suction line and indoor unit through the outdoor unit base valve before connecting all other tubing. Refer to section later in installation instructions for details on setting the proper refrigerant charge.
- Remove (remaining) protector caps and plugs (if orifice was changed). Inspect fittings and if necessary carefully wipe coupling seats and threaded surfaces with a clean cloth to prevent the inclusion of dirt or any foreign material in the system.

16. Lubricate male half diaphragm and synthetic rubber seal with refrigerant oil. Thread coupling halves together by hand to insure proper mating of threads. Be sure to hold the coupling firmly to prevent movement of the coupling and tubing. Failure to do so could tear out the diaphragm causing a blockage of the system. Use proper size wrenches (on coupling body hex and on union nut) and tighten until coupling bodies "bottom" or a definite resistance is felt.

**TABLE 5  
COUPLINGS**

Coupling Size	Feet Pounds
-6	10 - 12
-10	35 - 45
-11	35 - 45
-12	50 - 65

 **CAUTION**

After starting to tighten up the fitting, never try to back it off or take it apart.

17. Using a marker or ink pen, mark a line lengthwise from the coupling union nut to the bulkhead. Then tighten an additional 1/4 turn. The misalignment of the line will show the amount the coupling has been tightened. This final 1/4 turn is necessary to insure the formation of leakproof joint. If a torque wrench is used, the torque values shown in Table 5 are recommended.

18. Leak test all connections using an electronic leak detector or a halide torch.
19. When tubing is installed in attics or drop ceilings, insulate the couplings on the larger tube thoroughly with 3/8" wall thickness, closed cell sponge tube insulation or equivalent. Failure to insulate will result in water damage to ceiling since the fitting will "sweat" and drop water on the ceiling.

# WIRING INSTRUCTIONS

## GENERAL

All wiring must be installed in accordance with the National Electrical Code and local codes. In Canada, all wiring must be installed in accordance with the Canadian Electrical Code and in accordance with the regulations of the authorities having jurisdiction. Power supply voltage must conform to the voltage shown on the unit serial plate. A wiring diagram of the unit is attached to the inside of the electrical cover. The power supply shall be sized and fused according to the specification supplied. A ground lug is supplied in the control compartment for equipment ground.

The unit rating plate lists a "Maximum Time Delay Fuse" or HACR type" circuit breaker that is to be used with the equipment. The correct size must be used for proper circuit protection and also to assure that there will be no nuisance tripping due to the momentary high starting current of the compressor motor.

## CONTROL CIRCUIT WIRING

For split systems, the minimum control circuit wiring gauge needed to insure proper operation of all controls in both indoor and outdoor units will depend on two factors:

1. The rated VA of the control circuit transformer.
2. The maximum total distance of the control circuit wiring. (This is the distance between the wall thermostat to the indoor unit plus the distance between the indoor unit to the outdoor unit.)

The following table should be used to determine proper gauge of control circuit wiring required.

**TABLE 6  
CONTROL CIRCUIT WIRING**

Rated VA of Control Circuit Transformer	Transformer Secondary FLA @ 24 V	Maximum Total Distance of Control Circuit Wiring in Feet
40	1.6	20 gauge 65
		18 gauge 90
		16 gauge 145
		14 gauge 230
50	2.1	20 gauge 45
		18 gauge 60
		16 gauge 100
		14 gauge 160
		12 gauge 250
65	2.7	20 gauge 40
		18 gauge 55
		16 gauge 85
		14 gauge 135
		12 gauge 210

*Example:* 1. Control circuit transformer rated at 40 VA  
2. Maximum total distance of control circuit wiring 85 feet.

From Table 6, minimum of 18 gauge wire should be used in the control circuit wiring.

For control circuit transformers rated other than those listed, use the next lower rated transformer listed.

*Example:* 1. Control circuit transformer rated at 55 VA  
From table use 50VA transformer.

There are two (2) separate control diagrams for fossil fuel furnaces with air conditioners.

Control diagrams for the various circuit which could be encountered with blower coils can be found in the installation instructions of the blower coil.

**TABLE 7  
CONTROL DIAGRAMS**

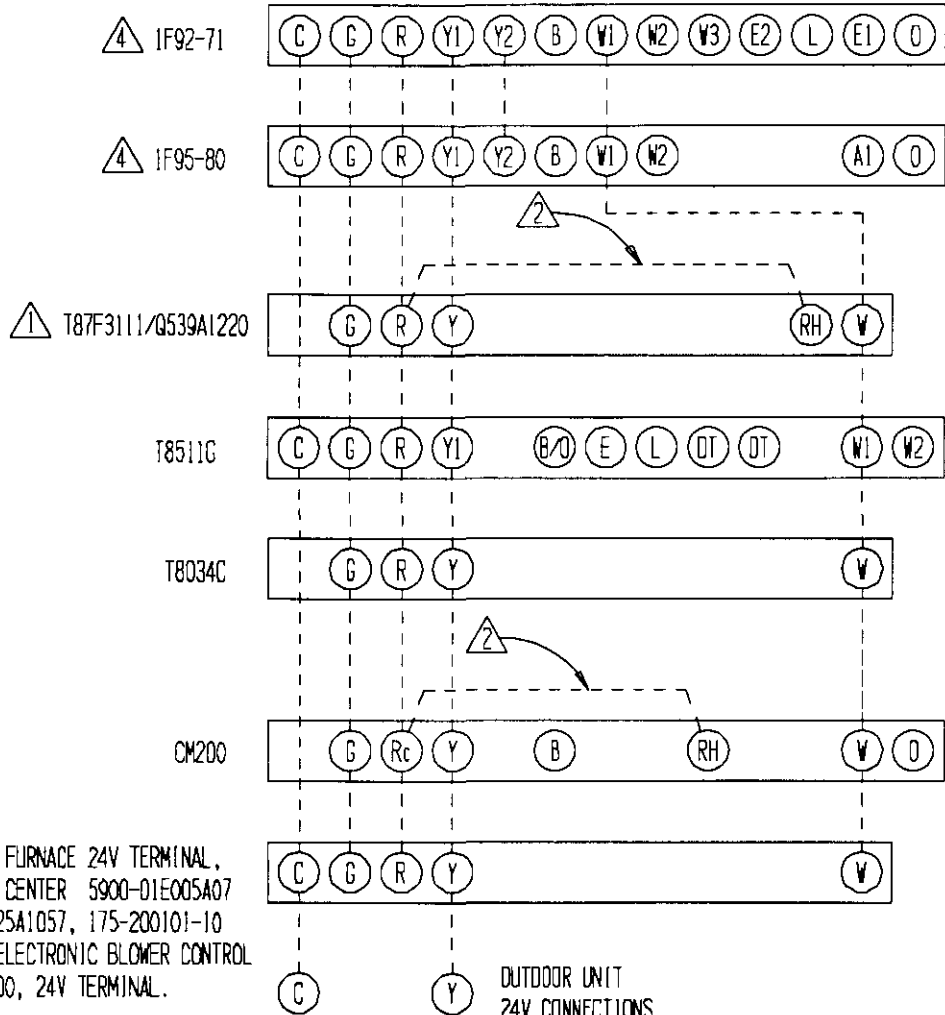
System	Gas Furnace Control Diagram	Oil Furnace Control Diagram
All Models	4091-100	4091-101

## WALL THERMOSTATS

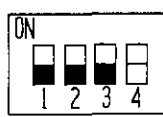
The following wall thermostats and subbases should be used as indicated, depending on the application.

**TABLE 8  
WALL THERMOSTAT and SUBBASE COMBINATIONS**

Thermostat	Subbase	Predominate Features
8403-002 T87F311	8404-003 Q529A1220	1 stage heat, 1 stage cool; Mercury System: heat-off-cool Fan: on-auto
8403-041 T8034-C	---	1 stage heat, 1 stage cool; Mercury System: heat-off-cool Fan: on-auto
8403-035 1F95-80	---	2 stage heat, 2 stage cool Programmable Electronic
8403-042 T8511G	---	2 stage heat, 1 stage cool System: heat-off-auto-cool Fan: on-auto Electronic
8403-043 CM200	---	1 stage heat, 1 stage cool System: heat-off-cool Fan: on-auto Snap Action
8403-027 1F92-71	---	3 stage heat, 2 stage cool Programmable Electronic



- △ 1 SET ADJUST HEAT ANTICIPATOR (SEE FURNACE INSTALLATION INSTRUCTIONS)
- △ 2 INSTALL JUMPER R-RH
- △ 3 IF THE FURNACE IS NOT INTERNALLY WIRED FOR ADD ON AIR CONDITIONING, A FAN CENTER WILL NEED TO BE ADDED.
- △ 4 OPTION SWITCH SETTING



SWITCH #1 "OFF"  
 SWITCH #2 "OFF"  
 SWITCH #3 "OFF"  
 SWITCH #4 SEE THERMOSTAT  
 INSTALLATION INSTRUCTIONS

	FACTORY WIRING	FIELD WIRING
LOW VOLTAGE	_____	-----
HIGH VOLTAGE	_____	-----

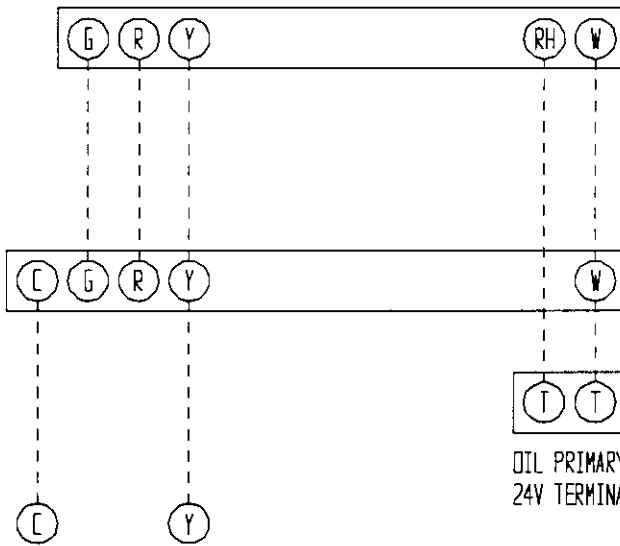
AIR CONDITIONER W/GAS FURNACE

4091-100 C

⚠ T87F311/3539A1220

⚠ FURNACE 24V TERMINAL  
 FAN CENTER 5900-01E005A07  
 R8325A1057, 175-200101-10  
 OR ELECTRONIC BLOWER CONTROL  
 45200, 24V TERMINAL.

OUTDOOR UNIT  
 24V CONNECTIONS



⚠ SET ADJUST HEAT ANTICIPATOR (SEE FURNACE INSTALLATION INSTRUCTIONS)

⚠ IF THE FURNACE IS NOT INTERNALLY WIRED FOR ADD ON AIR CONDITIONING, A FAN CENTER WILL NEED TO BE ADDED.

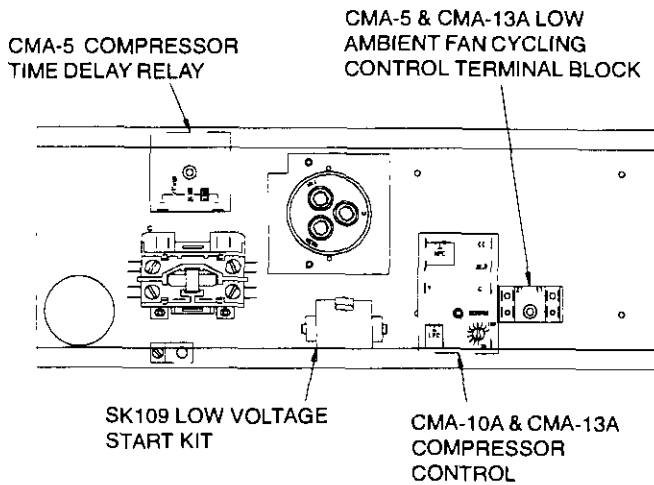
	FACTORY WIRING	FIELD WIRING
LOW VOLTAGE	_____	-----
HIGH VOLTAGE	_____	-----

AIR CONDITIONER W/OIL FURNACE

4091-101 A

## OPTIONAL CONTROLS

**FIGURE 5  
COMPONENT MOUNTING LOCATION**



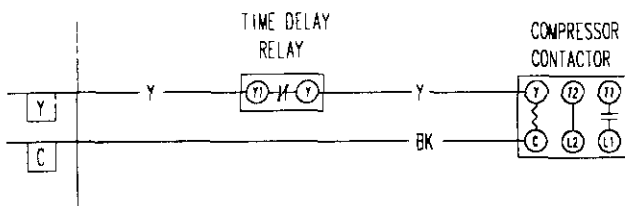
MIS-1302

## INSTALLATION INSTRUCTIONS — CMA-5

Disconnect all power to the unit. Remove control panel cover.

1. Mount compressor TDR in position shown in Figure 5 with screw provided.
2. Disconnect yellow low voltage (Y) wire at the compressor contactor coil and reconnect to the Y1 or #3 terminal of the TDR.
3. Connect yellow wire from terminal (Y) of the TDR to the (Y) terminal of the compressor contactor coil. This is the terminal that the wire was removed from in Step 2.
4. Recheck wiring. Refer to Figure 9. Energize unit. Compressor should start. Remove power and reapply. Compressor should not start until the 5 minute time delay has expired.
5. Apply "This unit equipped with CMA-5 control module" label to inside of the inner control panel cover above wiring diagram.
6. Replace all panels and covers. This completes installation.

**FIGURE 6  
INSTALLATION INSTRUCTIONS  
FOR CMA-5 COMPRESSOR TIME DELAY RELAY**



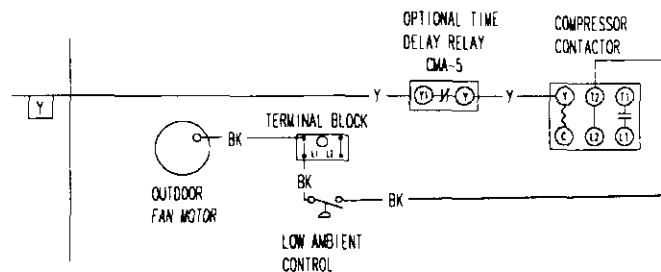
MIS-598

## INSTALLATION INSTRUCTIONS — CMA-6

Disconnect all power to unit. Remove control panel inner and outer cover.

1. Mount terminal block in position shown in Figure 5.
2. Disconnect black high voltage outdoor motor lead from compressor contactor and reconnect to terminal block.
3. Route low ambient control wires up through the bushing in the bottom of the control panel. Connect the low ambient control wires between the terminal block and T2 of the compressor contactor.
4. Remove service port cap on discharge line. Install the low ambient control on the discharge line with the flare tee adapter that is brazed to the low ambient control. Check for pressure at the flare tee dill valve after installation to insure that the dill valve in the unit service port was depressed by the flare tee connector. Check for leaks at the flare tee connectors. Replace service port cap on the flare tee service port and tighten.
5. Recheck wiring. See Figure 10. Check for proper operation of the unit by energizing in cooling mode. The condenser fan motor should not run until the discharge pressure has exceeded 300 PSI. Should the discharge pressure fall below 200 PSI while running, the condenser fan motor will de-energize until the head pressure builds to 300 PSI.
6. Apply "This unit equipped with CMA-6 control module" label to the inside of the control panel cover above the wiring diagrams.
7. Replace all panels and covers. This completes installation.

**FIGURE 7  
INSTALLATION INSTRUCTIONS FOR  
CMA-6 LOW AMBIENT FAN CYCLING CONTROL**



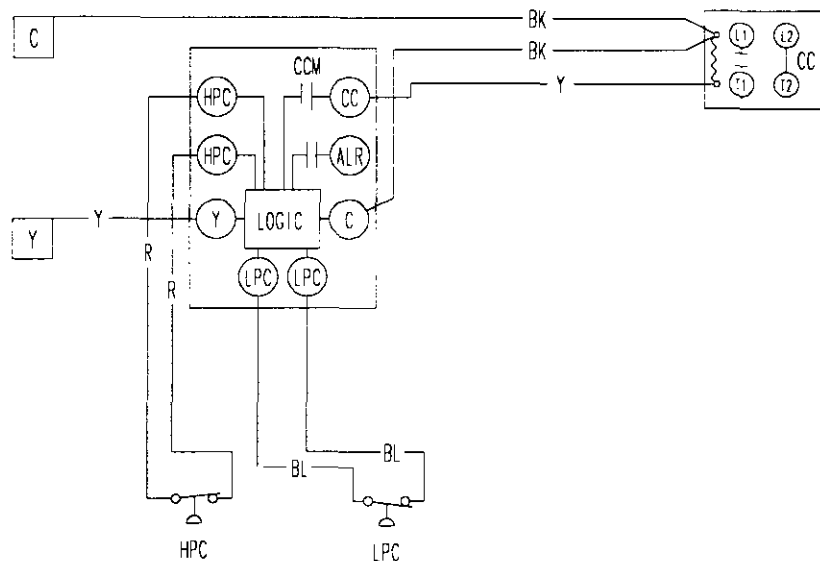
MIS-594

## INSTALLATION INSTRUCTIONS – CMA-10A

Disconnect all power to unit. Remove control panel cover.

1. Screw compressor control module and terminal block into control panel as shown in Figure 5.
2. Disconnect yellow low voltage wire from compressor contactor and reconnect to terminal "Y" of the compressor control module.
3. Connect the yellow wire from the compressor control module to "Y" side of the compressors contactor coil. This is the same terminal from which the wire was removed in Step 2.
4. Connect the black wire from the compressor control module to common "C" side of the compressor contactor coil.
5. Route the high (red) and low (blue) pressure switch wires through the bushing in the bottom of the control panel. Connect the low pressure switch wire to terminals LPC of the compressor control module.
6. Remove service port caps on both the suction and discharge lines. Install the high pressure switch on the discharge line to the flare tee adapter that is brazed to the controls. Install the low pressure switch on the suction line. Check for pressure at the flare tee dill valves after installation to insure that the dill valve in the unit service port was depressed by the flare tee connector. Check for leaks at the flare tee connectors. Replace service port caps on the flare tee service ports and tighten.
7. Adjust the compressor time delay relay to the desired delay on break. Two minutes are recommended. This TDR is variable from 30 seconds to 5 minutes.
8. Recheck wiring. Energize unit in first stage cooling. Compressor should not start until the time delay has expired. This will be 10% of the delay on break period. Run the unit for at least 5 minutes. The unit should not go into lockout.
9. Apply "This unit equipped with CMA-10A control module." label to the inside of the inner control panel cover above the wiring diagram.
10. Replace all panels and covers. This completes installation.

**FIGURE 8**  
**INSTALLATION INSTRUCTIONS FOR**  
**CMA-10A DUAL PRESSURE CONTROL and**  
**COMPRESSOR TIME DELAY RELAY**



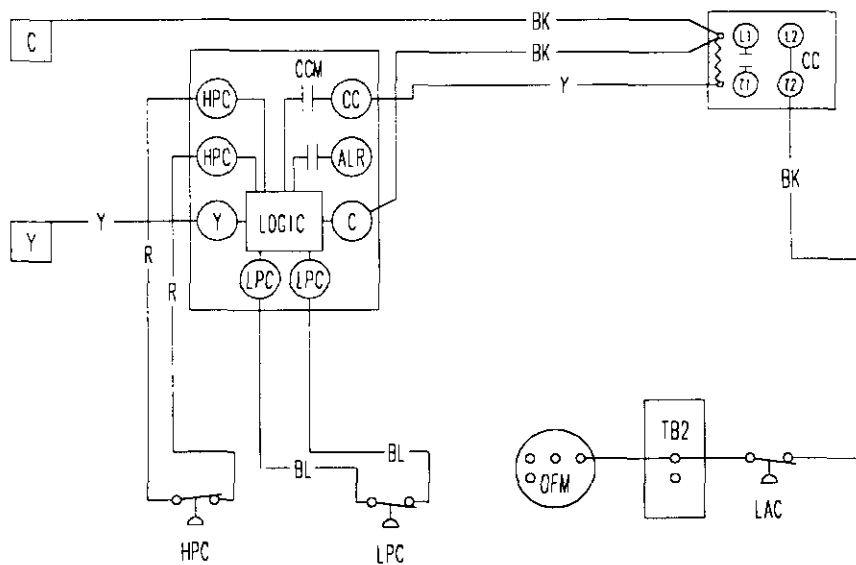
MIS-1303

## INSTALLATION INSTRUCTIONS – CMA-13A

Disconnect all power to unit. Remove control panel cover.

1. Screw compressor control module and terminal block into control panel as shown in Figure 5.
2. Disconnect yellow low voltage wire from compressor contactor and reconnect to terminal "Y" of the compressor control module.
3. Connect the yellow wire from the compressor control module to "Y" side of the compressor's contactor coil. This is the same terminal from which the wire was removed in Step 2.
4. Connect the black wire from the compressor control module to common "C" side of the compressor contactor coil.
5. Route the high (red) and low (blue) pressure switch wires through the bushing in the bottom of the control panel. Connect the low pressure switch wire to terminals LPC of the compressor control module. Connect the high pressure switch wires to terminals HPC of the compressor control module.
6. Disconnect the high voltage outdoor motor lead and reconnect to the terminal block installed in Step 1.
7. Route the LAC (black) wires up through the busing in the bottom of the control panel. Connect one wire to the terminal block and the other to "T2" of the contactor. This will be the same terminal from which the high voltage outdoor motor lead was removed in Step 7.
8. Remove service port caps on both the suction and discharge lines. Install the high pressure switch and the low ambient control on the discharge line with the flare tee adapter that is brazed to the controls. Install the low pressure switch on the suction line. Check for pressure at the flare tee dill valves after installation to insure that the dill valve in the unit service port was depressed by the flare tee connector. Check for leaks at the flare tee connectors. Replace service port caps on the flare tee service ports and tighten.
9. Adjust the compressor time delay relay to the desired delay on break. Two minutes are recommended. This TDR is variable from 30 seconds to 5 minutes.
10. Recheck wiring. Energize unit in first stage cooling. Compressor should not start until the time delay has expired. This will be 10% of the delay on break period. Run the unit for at least 5 minutes. The unit should not go into lockout. The condenser fan motor should not run until the discharge pressure has exceeded 300 PSI. Should the discharge pressure fall below 200 PSI while running the condenser fan motor will de-energize until the head pressure builds to 300 PSI.
11. Apply "This unit equipped with CMA-13A control module." label to the inside of the inner control panel cover above the wiring diagram.
12. Replace all panels and covers. This completes installation.

**FIGURE 9**  
**INSTALLATION INSTRUCTIONS FOR**  
**CMA-13A DUAL PRESSURE CONTROL, LOW AMBIENT FAN CYCLING CONTROL**  
**and COMPRESSOR TIME DELAY RELAY**



MIS-1304



# CHARGING INSTRUCTIONS

## PRESSURE SERVICE PORTS

High and low pressure service ports are installed on all units so that the system operating pressures can be observed. Pressure tables can be found later in the manual covering all models. It is imperative to match the correct pressure table to the unit by model number.

## SYSTEM START-UP (INDOOR UNITS WITHOUT EXPANSION VALVES)

1. Close disconnect switch(es) and set the thermostat to cool and the temperature to the highest setting.
2. Check for proper airflow across the indoor coil by referring to indoor unit installation.
3. Connect the service gauges and allow the unit to run for at least 10 minutes or until pressures are stable. Check pressures to the system pressure table attached to the outdoor unit service panel. For optimum system performance, go to Step 4.
4. Install a thermometer on the suction line approximately 6" to 10" from the compressor. Optimum system performance will occur with a refrigerant charge resulting in a suction line superheat as determined from the following calculations.
  - A. Measure outdoor air dry bulb temperature \_\_\_\_\_ °F
  - B. Measure indoor air wet bulb temperature \_\_\_\_\_ °F
  - C. Measure suction pressure \_\_\_\_\_ PSIG
  - D. Measure suction line temperature \_\_\_\_\_ °F
  - E. Determine optimum system superheat from Table 9 using outdoor air dry bulb (Step B) and indoor air wet bulb (Step A) \_\_\_\_\_ °F
  - F. Determine saturated suction temperature from suction pressure using Table 10 \_\_\_\_\_ °F
  - G. Determine system superheat:
 

Suction line temperature (Step D)	_____ °F
- Saturated suction temperature (Step F)	- _____ °F
= System superheat	= _____ °F
  - H. Adjust the system superheat (Step G) to the optimum system superheat (Step E) by adding charge to lower the superheat or removing charge to raise the superheat.
  - I. Check final system operating pressures to the system pressure tables as was done in Step 3.

TABLE 9  
SYSTEM SUPERHEAT

Outdoor Ambient Temperature ( F Dry Bulb)	Return Air Temperature F Wet Bulb			
	59	63	67	71
105	1	1	5	
95	1	3	(8)	20
90	1	7	14	26
85	3	9	19	33
80	8	14	25	39
75	10	20	30	42

TABLE 10  
SATURATED SUCTION TEMPERATURE R-22

Suction Pressure PSIG	Saturated Suction Temperature ( F)
50	26
53	28
55	30
58	32
61	34
63	36
65	38
67	39
70	41
73	43
76	45
79	47
82	49
86	51

**TABLE 11**

**TOTAL SYSTEM OPERATING CHARGE  
(Includes charge for the basic outdoor unit,  
indoor coil and 25' of interconnecting tubing.)**

Outdoor Section	Indoor Section	Total R-22 Charge (Oz.)
HAC181-A	A30AS-A	73 oz.
	S24AS-A	73 oz. ①
	BC24C	78 oz.
HAC241-A	A30AS-A	80 oz.
	S24AS-A	80 oz. ②
	BC24C	79 oz.
HAC301-A	A36AS-A	84 oz. ②
	BC36C	95 oz.
HAC361-A	A37AS-A	98 oz. ②
	BC36C	96 oz.
HAC421-A	A42AS-A	102 oz.
	A48AS-A	117 oz. ②
	BC36C	105 oz.
	BC60C	142 oz.
HAC481-A, -B	A61AS-A	155 oz. ②
	BC60C	175 oz.
HAC601-A, -B	A61AS-A	153 oz. ②
	BC60C	165 oz.

- ① Includes 25' of 1/4" diameter liquid line. For other than 25' and other tube sizes, adjust the total charge according to the following schedule.
- ② Includes 25' of 3/8" diameter liquid line. For other than 25' and other tube sizes, adjust the total charge according to the following schedule.

**SCHEDULE FOR TABLE 11**

Liquid Line Diameter	Oz. R-22 Per Ft.
1/4"	0.25
3/8"	0.60
1/2"	1.20

**Installer Note:** Stamp or mark the final system charge determined above on the outdoor unit serial plate.

## SERVICE HINTS

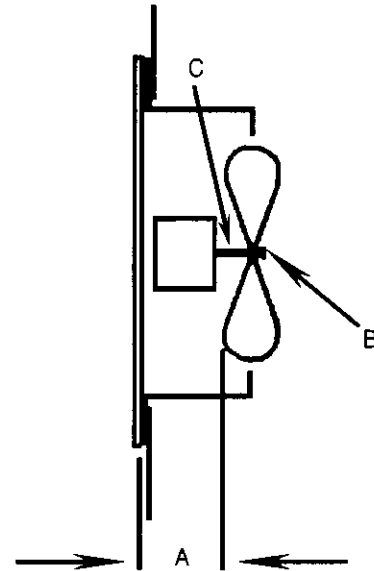
1. Caution homeowner to maintain clean air filters at all times. Also, not to needlessly close off supply and return air registers. This reduces air flow through the system, which shortens equipment service life, as well as, increasing operating costs.
2. Check all power fuses or circuit breakers to be sure that they are the correct rating.
3. Periodic cleaning of the outdoor coil to permit full and unrestricted air flow circulation is essential.

## FAN BLADE SETTING DIMENSIONS

Shown in Figure 10 are the correct fan blade setting dimensions for proper air delivery across the outdoor coil.

Any service work requiring removal or adjustment in the fan and/or motor area will require that the dimensions below be checked and blade adjusted in or out on the motor shaft accordingly.

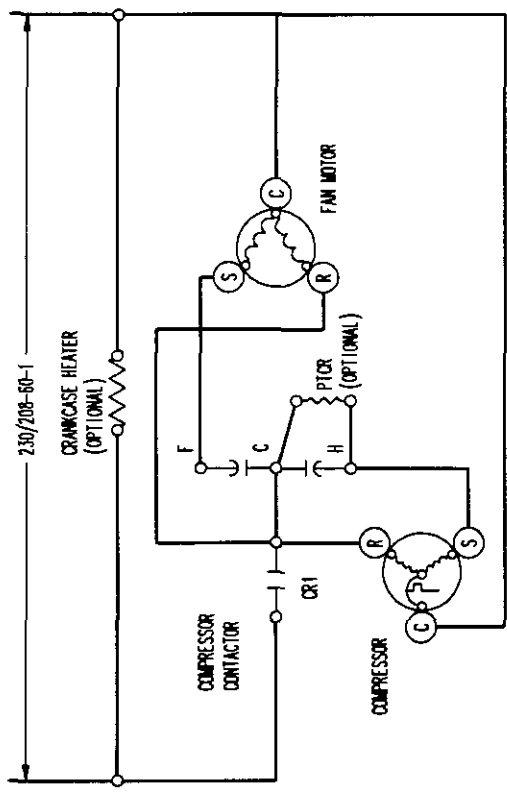
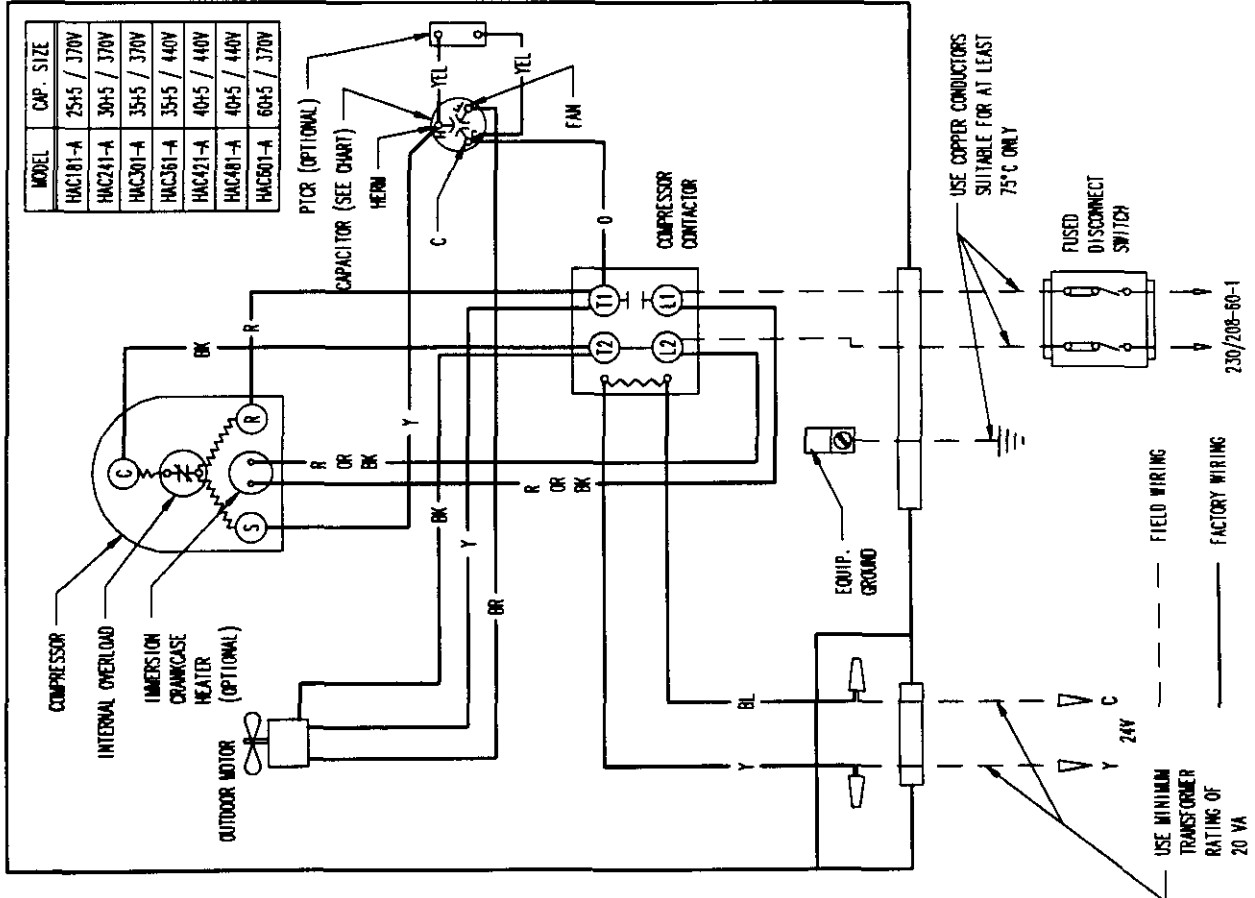
**FIGURE 10  
FAN BLADE**



7960-337

**TABLE 12  
FAN BLADE SETTING**

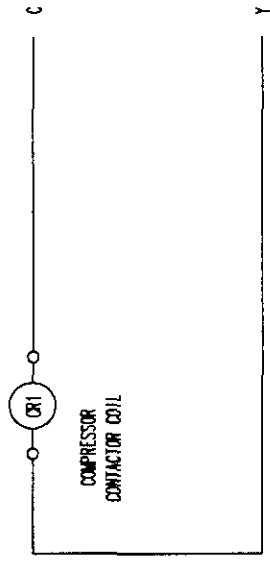
Model	Dimension A	Fan Hub Locations
HAC181 HAC241 HAC301 HAC361	5"	B
HAC421 HAC481 HAC601	4-3/4"	C



HIGH VOLTAGE CIRCUIT

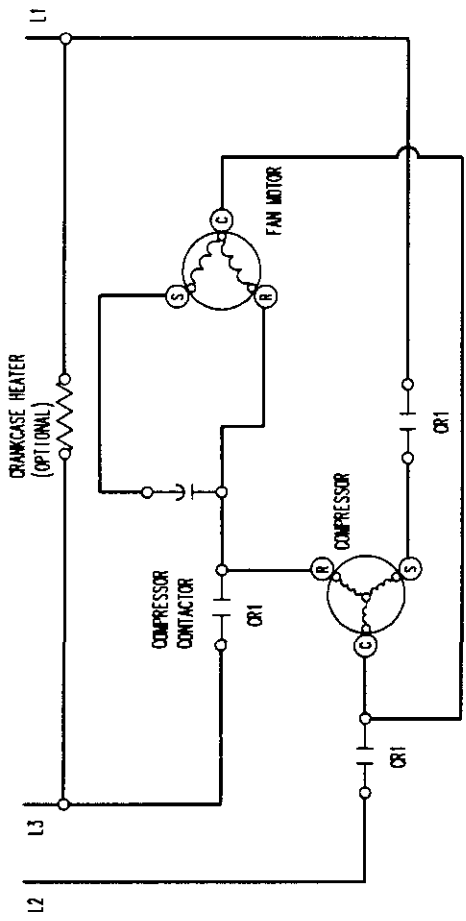
LOW VOLTAGE CIRCUIT

WIRE COLOR	COLOR CODE ABBREVIATION
BLACK	BK
BROWN	BR
RED	R
ORANGE	O
YELLOW	Y
GREEN	G
BLUE	BL
VIOLET (PURPLE)	V(PR)
GRAY (SLATE)	GY(S)
WHITE	W
TAN	T
PINK	PK
LAVENDER	L



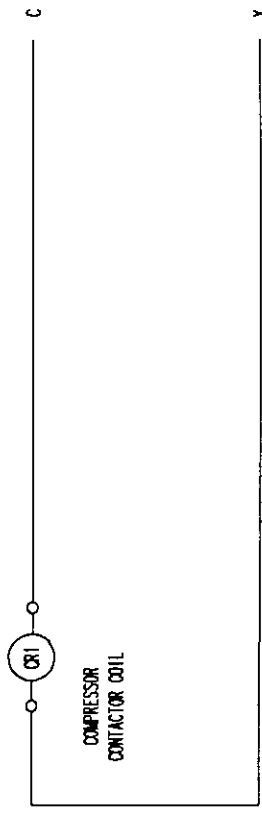
24 VOLTS FOR LOW VOLTAGE CONTROL CIRCUIT SUPPLIED BY INDOOR UNIT TRANSFORMER

230/208-60-1



HIGH VOLTAGE CIRCUIT

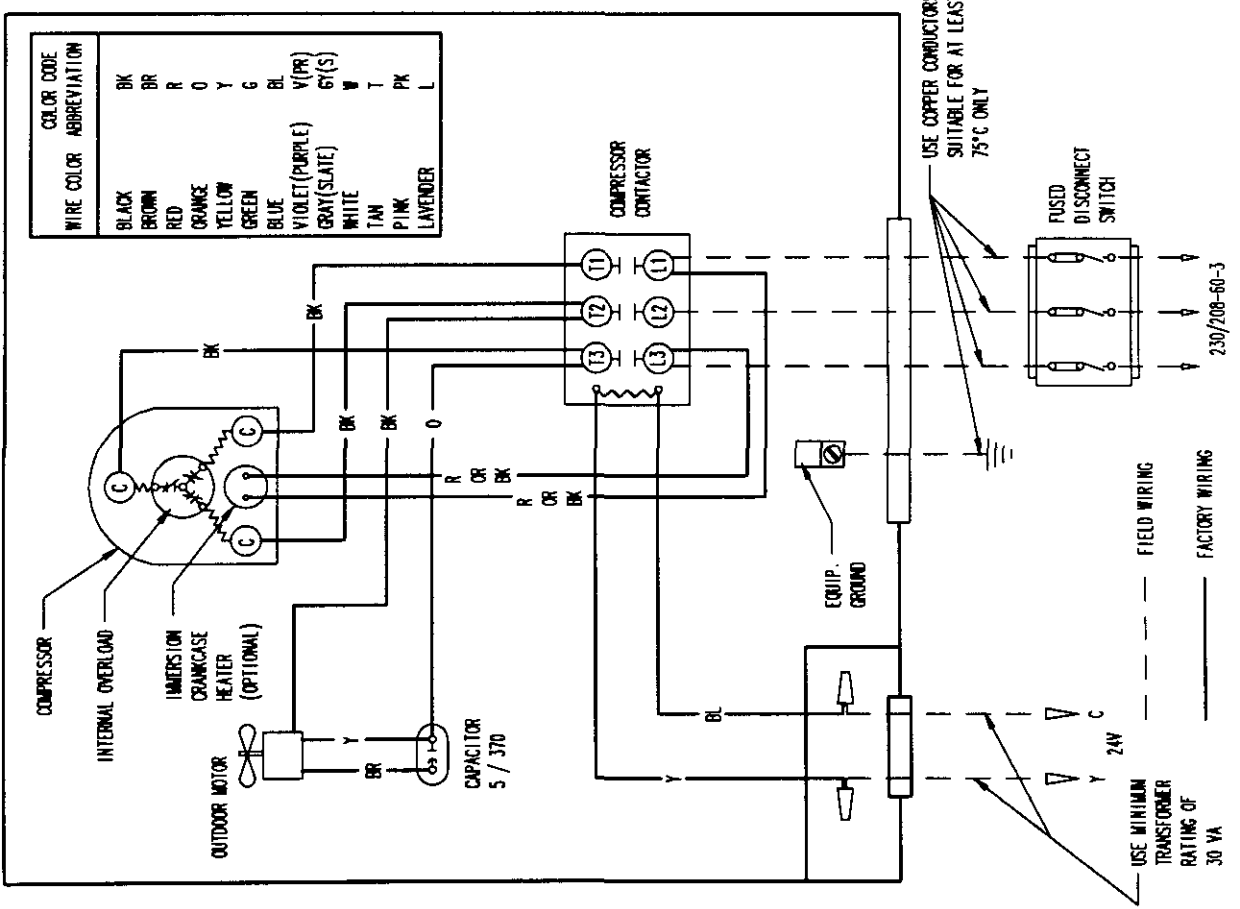
LOW VOLTAGE CIRCUIT



⚠ 24 VOLTS FOR LOW VOLTAGE CONTROL CIRCUIT SUPPLIED BY INDOOR UNIT TRANSFORMER

4099-200 B

WIRE COLOR	ABBREVIATION	COLOR CODE
BLACK	BK	BK
BROWN	BR	BR
RED	R	R
ORANGE	O	O
YELLOW	Y	Y
GREEN	G	G
BLUE	BL	BL
VIOLET (PURPLE)	V(PR)	V(PR)
GRAY (SLATE)	GY(S)	GY(S)
WHITE	W	W
TAN	T	T
PINK	PK	PK
LAVENDER	L	L



USE MINIMUM TRANSFORMER RATING OF 30 VA

USE COPPER CONDUCTORS SUITABLE FOR AT LEAST 75°C ONLY

EQUIP. GROUND

230/208-60-3

FIELD WIRING

FACTORY WIRING

**TABLE 13  
PRESSURE TABLE  
HAC181-A**

Indoor Section	Return Air Temp.	Pressure	Air Temperature Entering Outdoor Coil										
			65	70	75	80	85	90	95	100	105	110	115
AS30AS-A S24AS-A	75 DB	Low Side	68	70	72	74	76	78	80	82	84	85	87
	62 WB	High Side	150	170	187	203	226	244	254	258	255	246	320
	80 DB	Low Side	70	73	76	79	81	84	86	88	90	92	93
	67 WB	High Side	169	183	198	213	228	244	260	276	293	310	328
	85 DB	Low Side	76	79	82	85	87	90	92	94	96	98	99
	72 WB	High Side	177	191	206	221	236	252	269	286	304	322	340
BC24C	75 DB	Low Side	55	62	68	73	78	81	84	86	87	87	87
	62 WB	High Side	162	178	193	209	224	240	256	272	288	304	320
	80 DB	Low Side	77	78	78	80	81	82	84	86	88	90	93
	67 WB	High Side	164	180	198	213	230	246	263	280	296	313	329
	85 DB	Low Side	76	79	82	85	87	90	92	94	96	98	99
	72 WB	High Side	177	191	206	221	236	252	269	286	304	322	340

Low side pressure ± 2 PSIG (suction line 8 inches from compressor)

High side pressure ± 5 PSIG (discharge line 8 inches from compressor, liquid at base valve approximately -20 PSIG from values listed)

Tests are based upon rated CFM (airflow) across the evaporator coil. If there is any doubt as to correct operating change being in the system. The charge should be removed, system evacuated and recharged to serial plate instructions.

**TABLE 14  
PRESSURE TABLE  
HAC241-A**

Indoor Section	Return Air Temp.	Pressure	Air Temperature Entering Outdoor Coil										
			65	70	75	80	85	90	95	100	105	110	115
AS30AS-A S24AS-A	75 DB	Low Side	60	64	68	71	74	76	78	80	81	82	82
	62 WB	High Side	172	190	207	224	241	258	275	292	308	325	341
	80 DB	Low Side	66	70	73	76	79	81	83	85	86	87	88
	67 WB	High Side	177	195	213	230	247	265	282	299	316	333	350
	85 DB	Low Side	73	76	79	82	85	87	89	91	92	94	95
	72 WB	High Side	185	203	220	238	257	273	291	309	326	344	362
BC24C	75 DB	Low Side	65	69	73	77	80	82	83	84	85	86	87
	62 WB	High Side	179	194	209	225	241	257	273	290	306	324	341
	80 DB	Low Side	70	73	75	77	79	81	83	85	86	88	89
	67 WB	High Side	104	152	192	225	251	269	280	284	281	270	252
	85 DB	Low Side	73	76	79	82	85	87	89	91	92	94	95
	72 WB	High Side	185	203	220	238	256	273	291	309	326	344	362

Low side pressure ± 2 PSIG (suction line 8 inches from compressor)

High side pressure ± 5 PSIG (discharge line 8 inches from compressor, liquid at base valve approximately -20 PSIG from values listed)

Tests are based upon rated CFM (airflow) across the evaporator coil. If there is any doubt as to correct operating change being in the system. The charge should be removed, system evacuated and recharged to serial plate instructions.

**TABLE 15  
PRESSURE TABLE  
HAC301-A**

Indoor Section	Return Air Temp.	Pressure	Air Temperature Entering Outdoor Coil										
			65	70	75	80	85	90	95	100	105	110	115
A36AS-A	75 DB	Low Side	62	65	67	69	71	73	75	77	78	80	81
	62 WB	High Side	162	183	204	224	244	262	280	297	313	329	344
	80 DB	Low Side	68	70	72	74	76	78	80	82	84	85	87
	67 WB	High Side	167	188	210	230	250	269	287	305	321	338	353
	85 DB	Low Side	75	77	78	80	82	84	86	88	90	92	94
	72 WB	High Side	171	194	216	238	258	278	297	315	333	349	365
BC36C	75 DB	Low Side	61	65	69	72	75	77	79	81	82	83	84
	62 WB	High Side	185	201	217	234	250	266	282	298	314	331	347
	80 DB	Low Side	67	71	74	77	80	82	84	86	87	88	89
	67 WB	High Side	190	207	223	239	256	272	289	306	322	339	356
	85 DB	Low Side	74	77	80	83	86	88	90	92	93	95	96
	72 WB	High Side	198	215	232	248	265	282	299	316	333	351	368

Low side pressure  $\pm$  2 PSIG (suction line 8 inches from compressor)

High side pressure  $\pm$  5 PSIG (discharge line 8 inches from compressor, liquid at base valve approximately -20 PSIG from values listed)

Tests are based upon rated CFM (airflow) across the evaporator coil. If there is any doubt as to correct operating change being in the system. The charge should be removed, system evacuated and recharged to serial plate instructions.

**TABLE 16  
PRESSURE TABLE  
HAC361-A**

Indoor Section	Return Air Temp.	Pressure	Air Temperature Entering Outdoor Coil										
			65	70	75	80	85	90	95	100	105	110	115
A37AS-A	75 DB	Low Side	66	68	70	72	74	76	78	80	82	84	86
	62 WB	High Side	181	197	213	230	246	262	278	294	310	326	343
	80 DB	Low Side	71	73	75	77	79	81	83	85	87	89	91
	67 WB	High Side	186	202	219	235	252	268	285	302	318	335	351
	85 DB	Low Side	77	79	81	83	85	87	89	91	93	95	97
	72 WB	High Side	191	208	226	243	260	278	295	312	330	347	364
BC36C	75 DB	Low Side	63	66	68	70	72	74	76	78	79	81	82
	62 WB	High Side	178	195	212	228	245	262	279	296	313	331	348
	80 DB	Low Side	66	69	72	75	78	80	82	84	85	87	88
	67 WB	High Side	184	200	217	234	251	269	286	304	321	339	357
	85 DB	Low Side	72	75	78	81	83	86	88	90	92	94	95
	72 WB	High Side	188	206	224	242	260	278	296	314	332	351	369

Low side pressure  $\pm$  2 PSIG (suction line 8 inches from compressor)

High side pressure  $\pm$  5 PSIG (discharge line 8 inches from compressor, liquid at base valve approximately -20 PSIG from values listed)

Tests are based upon rated CFM (airflow) across the evaporator coil. If there is any doubt as to correct operating change being in the system. The charge should be removed, system evacuated and recharged to serial plate instructions.

**TABLE 17  
PRESSURE TABLE  
HAC 421-A**

Indoor Section	Return Air Temp.	Pressure	Air Temperature Entering Outdoor Coil								
			75	80	85	90	95	100	105	110	115
A42AS-A BC36C	75 DB	Low Side	64	67	70	72	74	76	77	78	79
	62 WB	High Side	203	218	233	250	266	283	300	318	336
	80 DB	Low Side	69	72	75	77	79	82	82	84	85
	67 WB	High Side	208	224	240	256	273	290	308	326	345
	85 DB	Low Side	73	77	80	83	85	87	89	90	91
	72 WB	High Side	216	232	248	265	282	300	318	337	359
A48AS-A BC60C	75 DB	Low Side	73	74	76	77	79	81	82	84	86
	62 WB	High Side	212	228	244	260	277	294	312	330	349
	80 DB	Low Side	77	79	81	83	85	87	89	90	92
	67 WB	High Side	218	234	250	267	284	302	320	339	358
	85 DB	Low Side	83	85	87	89	91	93	95	97	99
	72 WB	High Side	224	241	258	276	294	294	331	350	370

Low side pressure  $\pm$  2 PSIG (suction line 8 inches from compressor)

High side pressure  $\pm$  5 PSIG (discharge line 8 inches from compressor, liquid at base valve approximately -20 PSIG from values listed)

Tests are based upon rated CFM (airflow) across the evaporator coil. If there is any doubt as to correct operating change being in the system. The charge should be removed, system evacuated and recharged to serial plate instructions.

**TABLE 18  
PRESSURE TABLE  
HAC481-A, HAC481-B**

Indoor Section	Return Air Temp.	Pressure	Air Temperature Entering Outdoor Coil								
			75	80	85	90	95	100	105	110	115
A61AS-B	75 DB	Low Side	74	75	77	78	80	82	83	85	87
	62 WB	High Side	208	223	238	254	271	288	306	324	343
	80 DB	Low Side	78	80	82	84	86	88	90	91	93
	67 WB	High Side	214	229	245	261	278	296	314	333	352
	85 DB	Low Side	84	86	88	90	92	94	96	97	99
	72 WB	High Side	220	236	253	270	288	306	325	344	364
BC60C	75 DB	Low Side	68	70	72	74	76	78	79	80	81
	62 WB	High Side	242	250	260	272	285	300	317	336	356
	80 DB	Low Side	76	77	78	80	81	82	84	85	87
	67 WB	High Side	248	256	266	278	292	308	325	344	365
	85 DB	Low Side	82	83	84	86	87	88	90	91	93
	72 WB	High Side	257	265	276	288	302	318	336	356	378

Low side pressure  $\pm$  2 PSIG (suction line 8 inches from compressor)

High side pressure  $\pm$  5 PSIG (discharge line 8 inches from compressor, liquid at base valve approximately -20 PSIG from values listed)

Tests are based upon rated CFM (airflow) across the evaporator coil. If there is any doubt as to correct operating change being in the system. The charge should be removed, system evacuated and recharged to serial plate instructions.



**TABLE 19  
PRESSURE TABLE  
HAC601-A, HAC601-B**

Indoor Section	Return Air Temp.	Pressure	Air Temperature Entering Outdoor Coil								
			75	80	85	90	95	100	105	110	115
A61AS-B	75 DB	Low Side	67	69	71	73	75	76	78	79	79
	62 WB	High Side	227	243	260	276	293	310	326	343	359
	80 DB	Low Side	72	74	76	78	80	82	84	86	88
	67 WB	High Side	232	249	266	284	301	318	336	353	370
	85 DB	Low Side	78	80	82	84	86	88	90	92	94
	72 WB	High Side	240	258	276	293	311	329	346	364	382
BC60C	75 DB	Low Side	64	67	70	72	74	76	77	78	78
	62 WB	High Side	223	239	257	275	295	316	339	363	388
	80 DB	Low Side	69	72	75	77	79	81	82	83	84
	67 WB	High Side	230	246	264	283	303	325	348	372	398
	85 DB	Low Side	76	78	80	82	85	85	87	89	90
	72 WB	High Side	237	255	273	293	314	336	360	385	411

Low side pressure ± 2 PSIG (suction line 8 inches from compressor)

High side pressure ± 5 PSIG (discharge line 8 inches from compressor, liquid at base valve approximately -20 PSIG from values listed)

Tests are based upon rated CFM (airflow) across the evaporator coil. If there is any doubt as to correct operating charge being in the system. The charge should be removed, system evacuated and recharged to serial plate instructions.

