

---

# INSTALLATION INSTRUCTIONS

---

## WALL MOUNTED PACKAGE HEAT PUMPS

Models  
**WH262**  
**WH311**



CLIMATE CONTROL SOLUTIONS

Bard Manufacturing Company  
Bryan, Ohio 43506

*Since 1914...Moving ahead just as planned.*

Manual : 2100-350B  
Supersedes: 2100-350A  
File: Volume III Tab 17  
Date: 09-01-03

# CONTENTS

---

## Getting Other Informations and Publications 1

### Wall Mount General Information

Heat Pump Wall Mount Model Nomenclature .....	2
Shipping Damage .....	5
General .....	5
Duct Work .....	5
Filters .....	5
Fresh Air Intake .....	6
Condensate Drain .....	6

### Installation Instructions

Wall Mounting Information .....	7
Mounting the Unit .....	7
Wiring – Main Power .....	12
Wiring – Low Voltage Wiring .....	12
Optional Outdoor Thermostats Applications .....	13
Heat Anticipation .....	14
Thermostat Indicator Lamps .....	15
Emergency Heat Position .....	15
Compressor Malfunction Light .....	15

### Figures

Figure 1 Unit Dimensions .....	3
Figure 2 Fresh Air Damper Assembly .....	6
Figure 3 Mounting Instructions .....	8
Figure 4 Electric Heat Clearance .....	9
Figure 5 Wall Mounting Instructions .....	10
Figure 6 Wall Mounting Instructions .....	10
Figure 7 Common Wall Mounting Installations .....	11
Figure 8 Unit 24V Terminal Board .....	12
Figure 9 Compressor Cutoff Thermostat Wiring .	13
Figure 10 Compressor Cutoff Thermostat Wiring .	13
Figure 11 Electric Heat Hold-Off Wiring .....	14
Figure 12 Electric Heat Hold-Off Wiring .....	14
Figure 13 Defrost Control Board .....	18
Figure 14 Fan Blade Setting .....	21

### Start Up

Important Installer Note .....	16
High Pressure Switch .....	16
Three Phase Scroll Compressor Start Up .....	16
Phase Monitor .....	16
Service Hints .....	16
Sequence of Operation .....	16
Pressure Service Ports .....	17
Defrost Cycle .....	17

### Troubleshooting

Solid State Heat Pump Control	
Troubleshooting Procedure .....	19
Checking Temperature Sensor Outside	
Unit Circuit .....	20
Temperature vs Resistance of Temperature .....	20
Fan Blade Setting Dimensions .....	21
Removal of Fan Shroud .....	21
Refrigerant Charge .....	21
Pressure Tables .....	22
Optional Accessories .....	23

### Tables

Table 2 Fuse, HACR Breakers, Wire Size .....	4
Table 3 Thermostat Wire Size .....	12
Table 4 Wall Thermostat and Subbase	
Combinations .....	15
Table 5 Troubleshooting .....	19
Table 6 Fan Blade Dimensions .....	21
Table 7 System Charge Ratings .....	21
Table 8 Indoor Blower Performance .....	21
Table 9 Recommended Operating Ranges .....	21
Table 10 Pressure Table – Cooling .....	22
Table 11 Pressure Table – Heating .....	22
Table 12 Optional Accessories .....	23

# Getting Other Information and Publications

---

These publications can help you install the air conditioner or heat pump. You can usually find these at your local library or purchase them directly from the publisher. Be sure to consult current edition of each standard.

National Electrical Code ..... ANSI/NFPA 70

Standard for the Installation ..... ANSI/NFPA 90A  
of Air Conditioning and  
Ventilating Systems

Standard for Warm Air ..... ANSI/NFPA 90B  
Heating and Air  
Conditioning Systems

Load Calculation for ..... ACCA Manual J or  
Winter and ..... Manual N  
Summer Air Conditioning

Low Pressure, Low Velocity ..... ACCA Manual D or  
Duct System Design for Winter ..... Manual Q  
and Summer Air Conditioning

## FOR MORE INFORMATION, CONTACT THESE PUBLISHERS:

**ACCA**     **Air Conditioning Contractors of America**  
1712 New Hampshire Avenue  
Washington, DC 20009  
Telephone: (202) 483-9370  
Fax: (202) 234-4721

**ANSI**     **American National Standards Institute**  
11 West Street, 13th Floor  
New York, NY 10036  
Telephone: (212) 642-4900  
Fax: (212) 302-1286

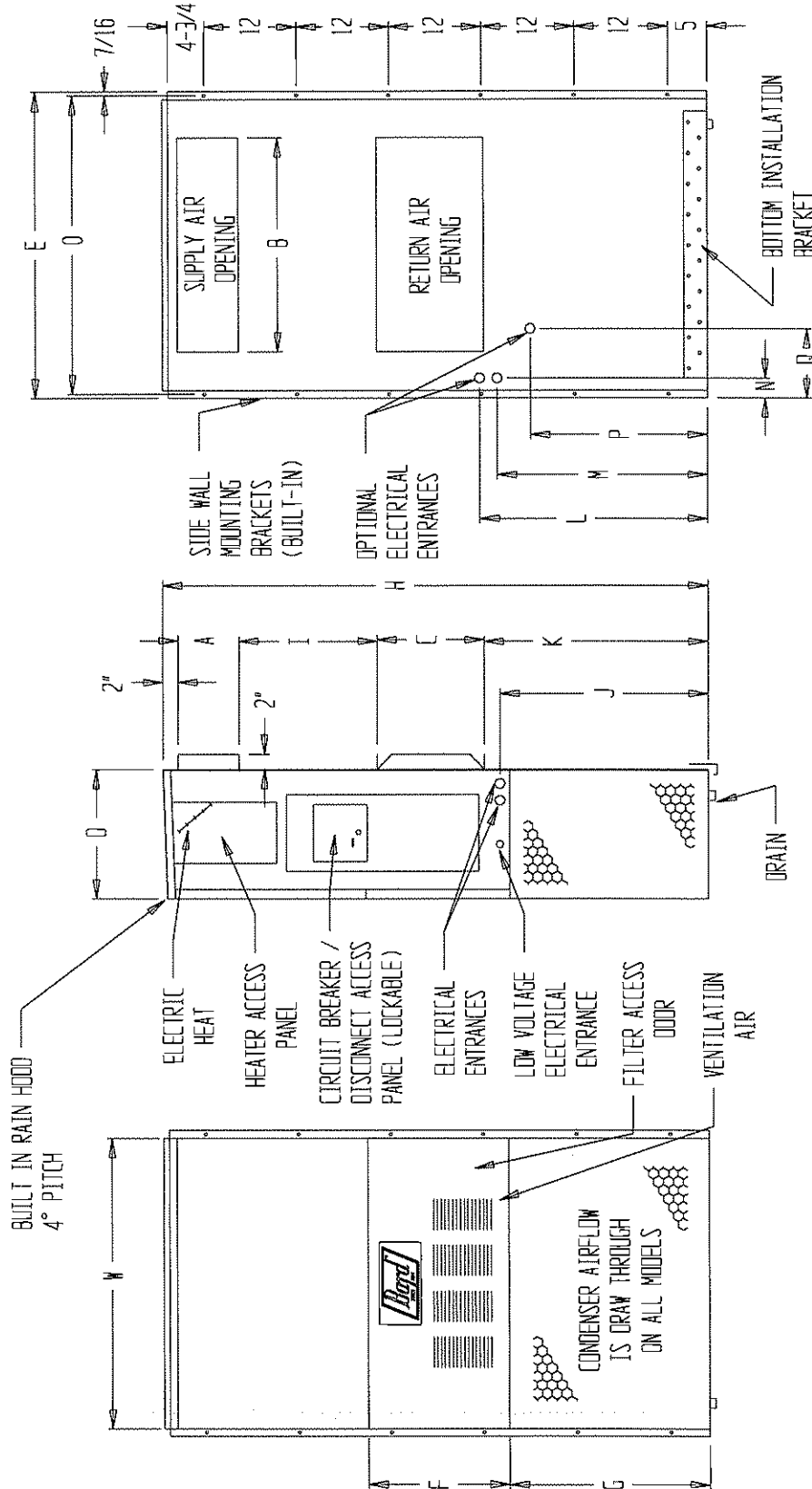
**ASHRAE**   **American Society of Heating Refrigerating,  
and Air Conditioning Engineers, Inc.**  
1791 Tullie Circle, N.E.  
Atlanta, GA 30329-2305  
Telephone: (404) 636-8400  
Fax: (404) 321-5478

**NFPA**     **National Fire Protection Association**  
Batterymarch Park  
P.O. Box 9101  
Quincy, MA 02269-9901  
Telephone: (800) 344-3555  
Fax: (617) 984-7057



**FIGURE 1  
UNIT DIMENSIONS**

UNIT	WIDTH (W)	DEPTH (D)	HEIGHT (H)	SUPPLY		RETURN		E	F	G	I	J	K	L	M	N	O	P	B
				A	B	C	B												
26 & 31	37-7/8	16-7/8	70-1/2	7-7/8	27-7/8	13-7/8	27-7/8	39-7/8	18-1/4	25-3/4	18	26-3/4	28-3/4	29-1/4	27	2-9/16	39	22-3/4	9



MIS-1358

**TABLE 2  
ELECTRICAL SPECIFICATIONS**

Model	SINGLE CIRCUIT					DUAL CIRCUIT							
	Rated Volts & Phase	No. Field Power Ckts.	③ Minimum Circuit Ampacity	① Maximum External Fuse or Circuit Breaker	② Field Power Wire Size	② Ground Wire Size	③ Minimum Circuit Ampacity		① Maximum External Fuse or Ckt. Breaker		② Field Power Wire Size		② Ground Wire Size
							Ckt A	Ckt B	Ckt A	Ckt B	Ckt A	Ckt B	
WH262-A0Z	230/208-1	1	19	25	8	10	N/A	N/A	N/A	N/A	N/A	N/A	N/A
WH262-B0Z	230/208-3	1	17	25	10	10	N/A	N/A	N/A	N/A	N/A	N/A	N/A
WH262-C0Z	460-3	1	10	15	14	14	N/A	N/A	N/A	N/A	N/A	N/A	N/A
WH311-A0Z	230/208-1	1	26	40	10	10	N/A	N/A	N/A	N/A	N/A	N/A	N/A
WH311-B0Z	230/208-3	1	20	25	10	10	N/A	N/A	N/A	N/A	N/A	N/A	N/A
WH311-C0Z	460-3	1	11	15	14	14	N/A	N/A	N/A	N/A	N/A	N/A	N/A

- ① Maximum size of the time delay fuse or HACR type circuit breaker for protection of field wiring conductors.
- ② Based on 75° C copper wire. All wiring must conform to the National Electrical Code and all local codes.
- ③ These "Minimum Circuit Ampacity" values are to be used for sizing the field power conductors. Refer to the National Electric Code (latest revision), article 310 for power conductor sizing. CAUTION: When more than one field power conductor circuit is run through one conduit, the conductors must be derated. Pay special attention to Note 8 of Table 310 regarding Ampacity Adjustment Factors when more than three conductors are in a raceway.

## SHIPPING DAMAGE

Upon receipt of equipment, the carton should be checked for external signs of shipping damage. If damage is found, the receiving party must contact the last carrier immediately, preferably in writing, requesting inspection by the carrier's agent.

## GENERAL

The equipment covered in this manual is to be installed by trained, experienced service and installation technicians.

The refrigerant system is completely assembled and charged. All internal wiring is complete.

The unit is designed for use with or without duct work. Flanges are provided for attaching the supply and return ducts.

These instructions explain the recommended method to install the air cooled self-contained unit and the electrical wiring connections to the unit.

These instructions and any instructions packaged with any separate equipment required to make up the entire heat pump system should be carefully read before beginning the installation. Note particularly "Starting Procedure" and any tags and/or labels attached to the equipment.

While these instructions are intended as a general recommended guide, they do not supersede any national and/or local codes in any way. Authorities having jurisdiction should be consulted before the installation is made. See Page 1 for information on codes and standards.

Size of unit for a proposed installation should be based on heat loss calculation made according to methods of Air Conditioning Contractors of America (ACCA). The air duct should be installed in accordance with the Standards of the National Fire Protection Association for the Installation of Air Conditioning and Ventilating Systems of Other Than Residence Type, NFPA No. 90A, and Residence Type Warm Air Heating and Air Conditioning Systems, NFPA No. 90B. Where local regulations are at a variance with instructions, installer should adhere to local codes.

## DUCT WORK

Any heat pump is more critical of proper operating charge and an adequate duct system than a straight air conditioning unit. All duct work, supply and return, must be properly sized for the design air flow requirement of the equipment. Air Conditioning Contractors of America (ACCA) is an excellent guide to proper sizing. All duct work or portions thereof not in the conditioned space should be properly insulated in order to both conserve energy and prevent condensation or moisture damage. Refer to Table 10 for maximum static pressure available for duct design.

Design the duct work according to methods given by the Air Conditioning Contractors of America (ACCA). When duct runs through unheated spaces, it should be insulated with a minimum of one inch of insulation. Use insulation with a vapor barrier on the outside of the insulation. Flexible joints should be used to connect the duct work to the equipment in order to keep the noise transmission to a minimum.

A 1/4 inch clearance to combustible material for the first three feet (3') of duct attached to the outlet air frame is required. See Wall Mounting Instructions and Figures 4 and 5 for further details.

Ducts through the walls must be insulated and all joints taped or sealed to prevent air or moisture entering the wall cavity.

## CAUTION

Some installations may not require any return air duct. A metallic return air grille is required with installations not requiring a return air duct. The spacing between louvers on the grille shall not be larger than 5/8 inches.

Any grille that meets the 5/8 inch louver criteria, may be used. It is recommended that Bard Return Air Grille Kit RG-2 thru RG-5 or RFG-2 thru RFG-5 be installed when no return duct is used. Contact distributor or factory for ordering information. If using a return air filter grille, filters must be of sufficient size to allow a maximum velocity of 400 fpm.

*NOTE: If no return air duct is used, applicable installation codes may limit this cabinet to installation only in a single story structure.*

## FILTERS

A 1 inch throwaway filter is supplied with each unit. The filter slides into position making it easy to service. This filter can be serviced from the outside by removing the service door. A 1 inch washable filter and 2 inch pleated filter are also available as optional accessories. The internal filter brackets are adjustable to accommodate the 2 inch filter by bending down the tabs to allow spacing for the 2 inch filters.

## FRESH AIR INTAKE

All units are built with fresh air inlet slots punched in the service panel.

If the unit is equipped with the fresh air damper assembly, the assembly is shipped already attached to the unit. The damper blade is locked in the closed position. To allow the damper to operate, the maximum and minimum blade position stops must be installed. See Figure 2.

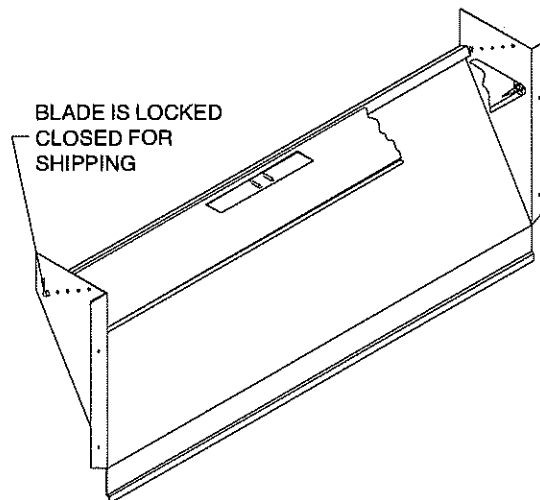
All capacity, efficiency and cost of operation information as required for Department of Energy "Energyguide" Fact Sheets is based upon the fresh air blank-off plate in place and is recommended for maximum energy efficiency.

The blank-off plate is available upon request from the factory and is installed in place of the fresh air damper shipped with each unit.

## CONDENSATE DRAIN

A plastic drain hose extends from the drain pan at the top of the unit down to the unit base. There are openings in the unit base for the drain hose to pass through. In the event the drain hose is connected to a drain system of some type, it must be an open or vented type system to assure proper drainage.

**FIGURE 2  
BLOWER DAMPER ASSEMBLY**



MIS-93B



# INSTALLATION INSTRUCTIONS

---

## WALL MOUNTING INFORMATION

1. Two holes, for the supply and return air openings, must be cut through the wall as shown in Figure 3.
2. On wood-frame walls, the wall construction must be strong and rigid enough to carry the weight of the unit without transmitting any unit vibration. See Figures 4 and 5.
3. Concrete block walls must be thoroughly inspected to insure that they are capable of carrying the weight of the installing unit. See Figure 4.

## MOUNTING THE UNIT

1. These units are secured by wall mounting brackets which secure the unit to the outside wall surface at both sides. A bottom mounting bracket is provided for ease of installation, but it is not required.
2. The unit itself is suitable for "0" inch clearance, but the supply air duct flange and the first 3 feet of supply air duct require a minimum of 1/4 inch clearance to combustible material. If a combustible wall, use a minimum of 28-1/2" x 10-1/2" dimensions for sizing. However, it is generally recommended that a 1 inch clearance is used for ease of installation and maintaining the required clearance to combustible material. The supply air opening would then be 30" x 12". See Figures 3 and 4 for details.

## WARNING

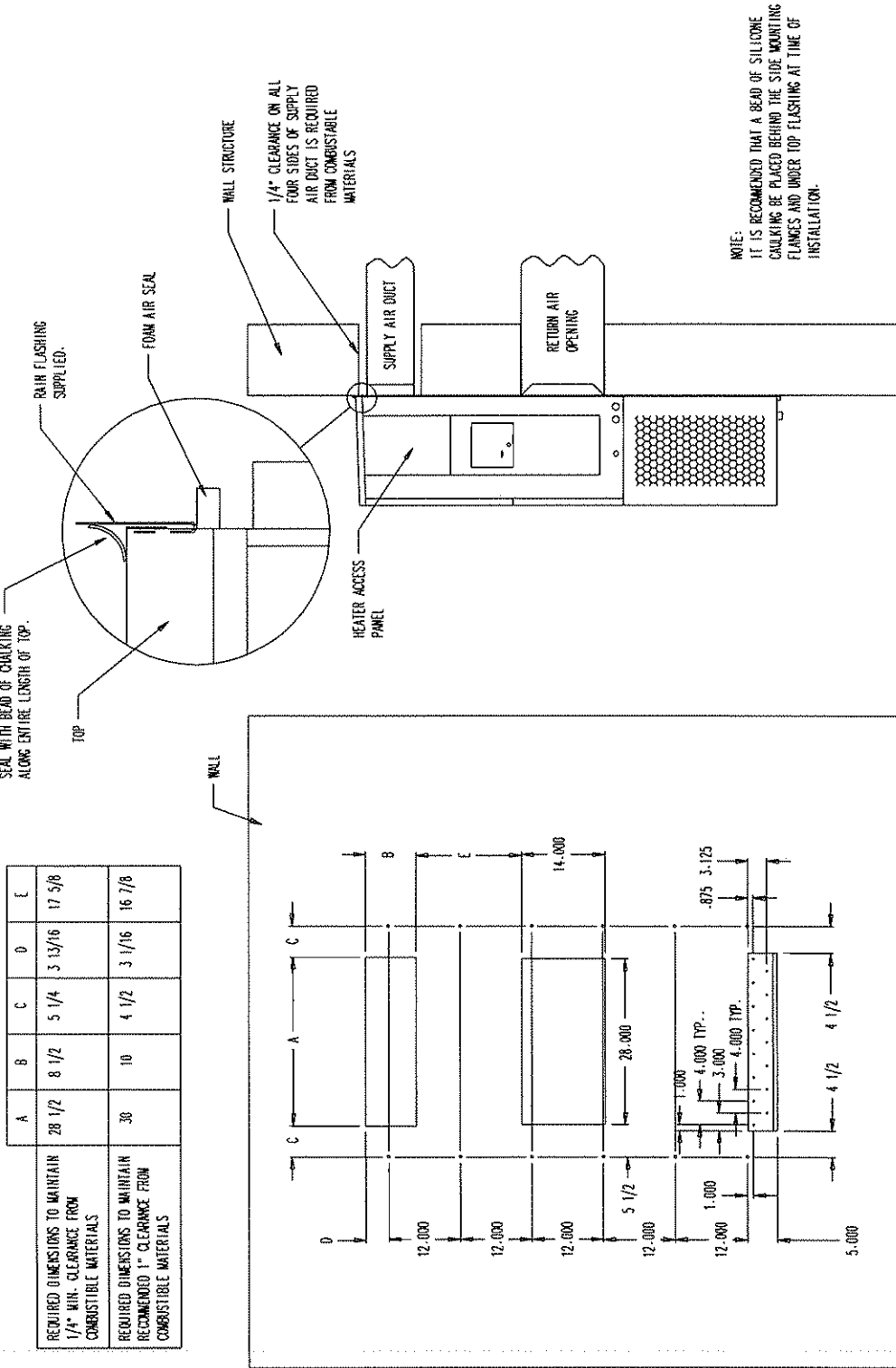
Failure to provide the 1/4 inch clearance between the supply duct and a combustible surface for the first three feet of duct can result in fire causing damage, bodily injury or death.

3. Locate and mark lag bolt locations and bottom mounting bracket location. See Figure 4.
4. Mount bottom mounting bracket. If used.
5. Hook top rain flashing under back bend of top. Top rain flashing is shipped attached to the back of the unit on the right side.
6. Position unit in opening and secure with 5/16 lag bolts; use 3/4 inch diameter flat washers on the lag bolts.
7. Secure rain flashing to wall and caulk across entire length of top. See Figure 3.
8. For additional mounting rigidity, the return air and supply air frames or collars can be drilled and screwed or welded to the structural wall itself (depending upon wall construction). Be sure to observe required clearance if combustible wall.
9. On side by side installations, maintain a minimum of 20 inches clearance on right side to allow access to heat strips and control panel, and to allow proper airflow to the outdoor coil. Additional clearance may be required to meet local or national codes.

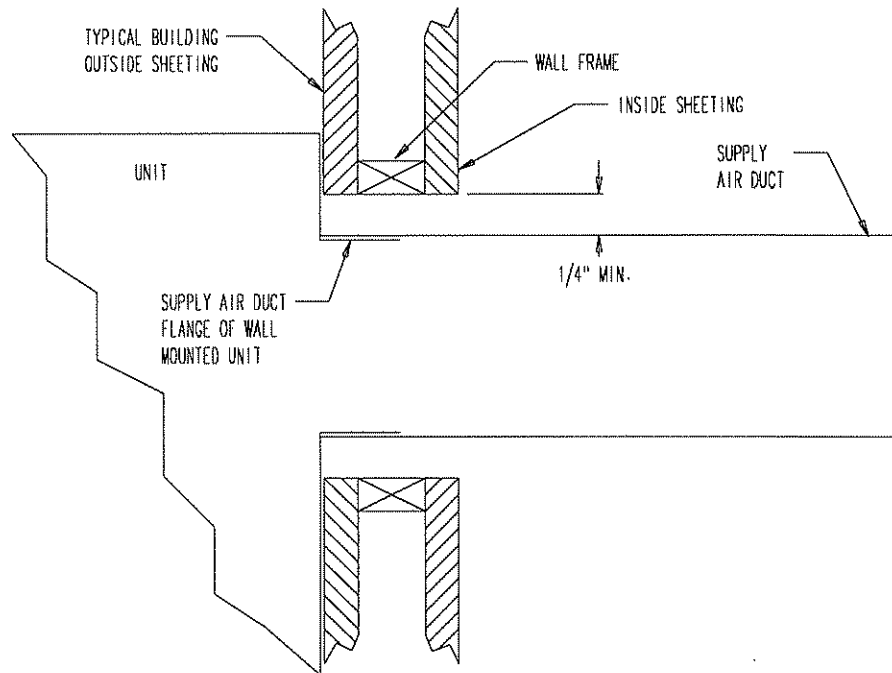
## TYPICAL INSTALLATIONS

See Figure 7 for common ways to install the wallmount unit.

**FIGURE 3  
MOUNTING INSTRUCTIONS**



**FIGURE 4  
ELECTRIC HEAT CLEARANCE**



MIS-277



## **WARNING**

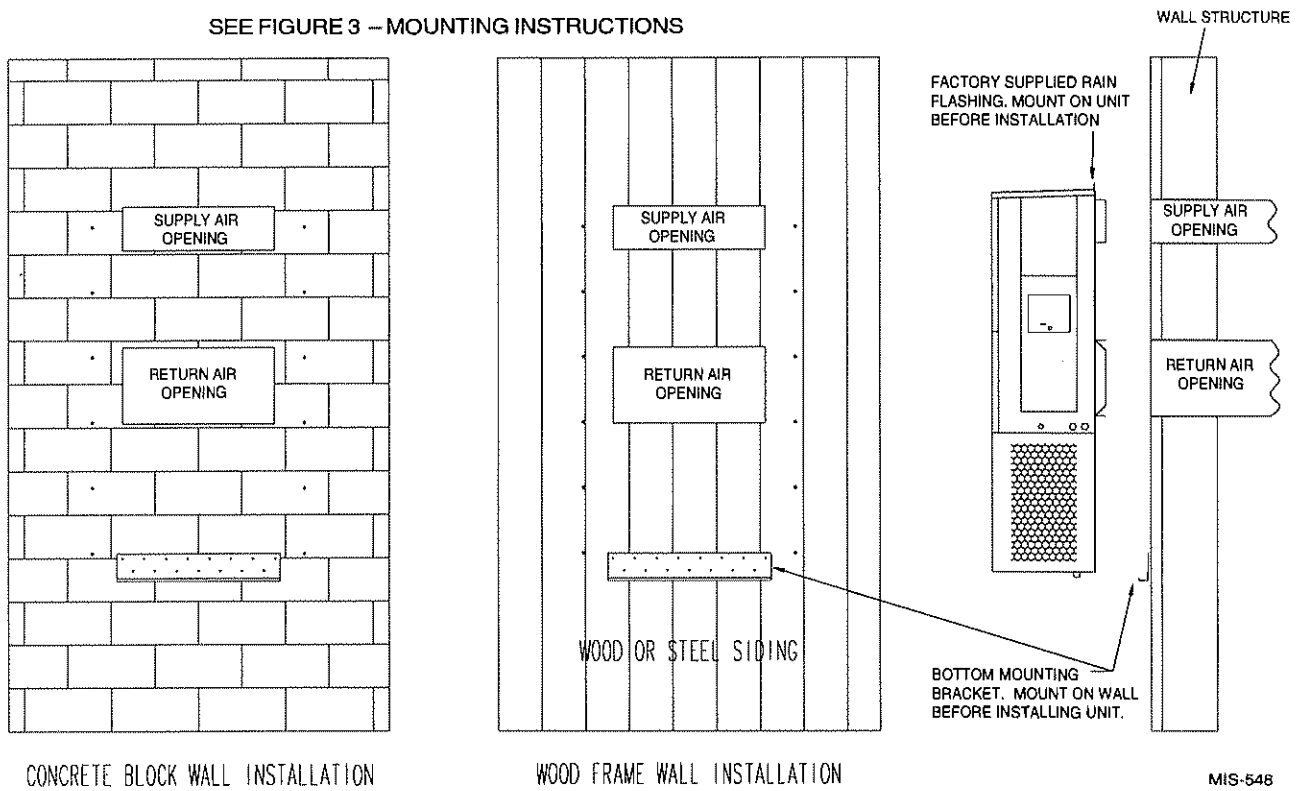
A minimum of 1/4" clearance must be maintained between the supply air duct and combustible materials. This is required for the first three (3) feet of ducting.

It is important to insure that the 1/4" minimum spacing is maintained at all points.

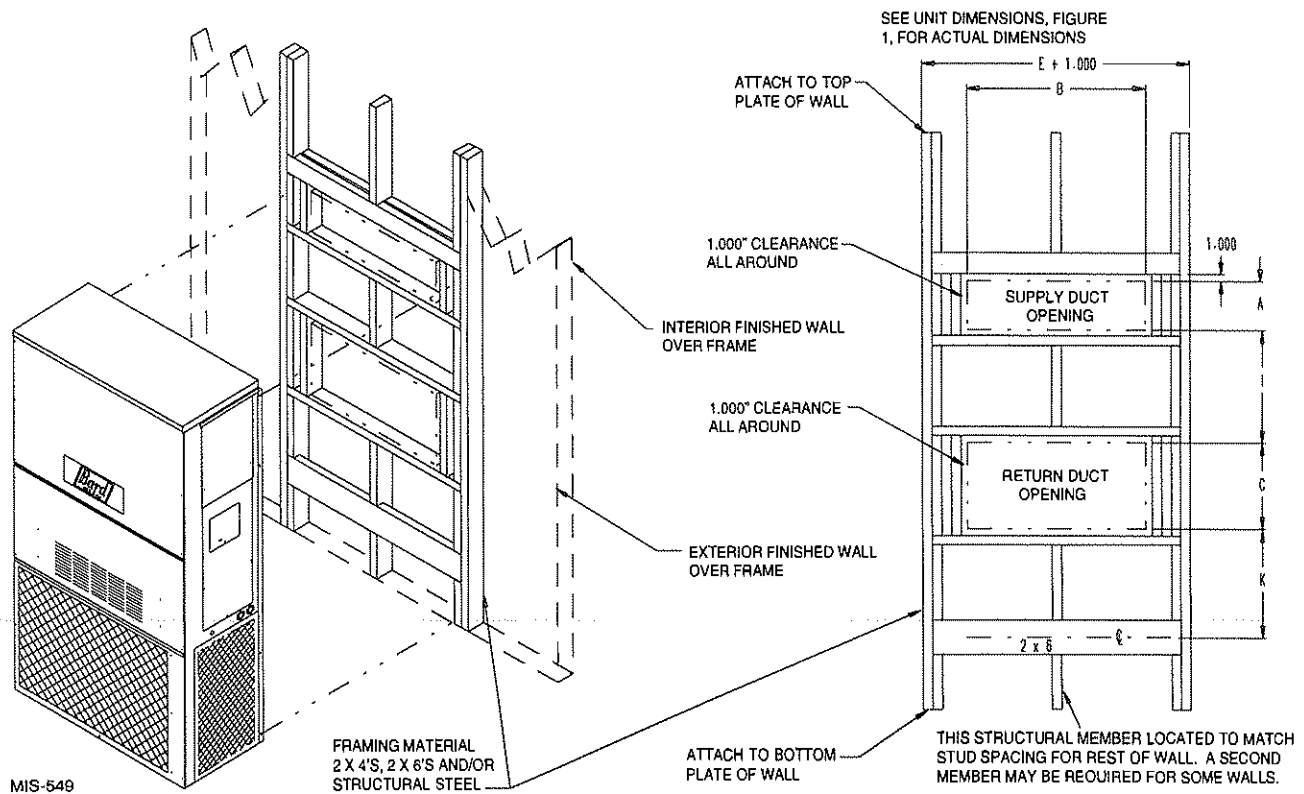
Failure to do this could result in overheating the combustible material which may result in a fire causing damage, injury, or death.

## FIGURE 5 WALL MOUNTING INSTRUCTIONS

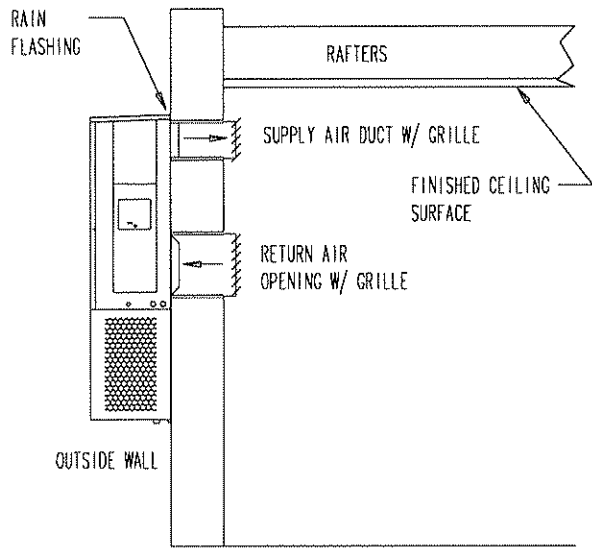
SEE FIGURE 3 – MOUNTING INSTRUCTIONS



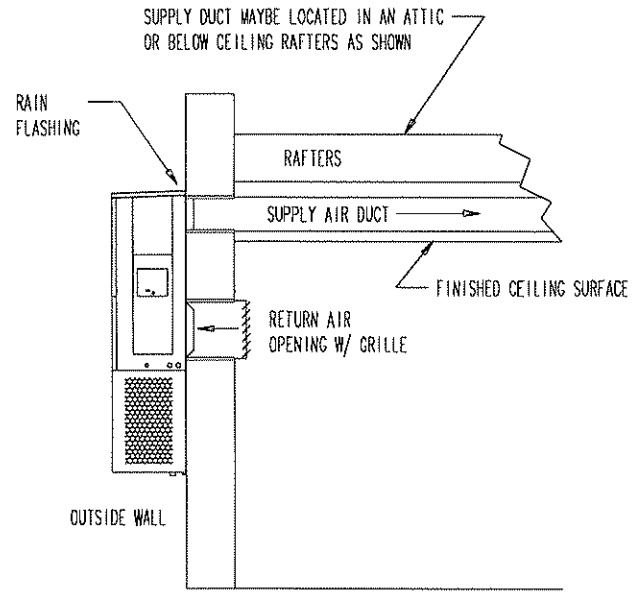
## FIGURE 6 WALL MOUNTING INSTRUCTIONS



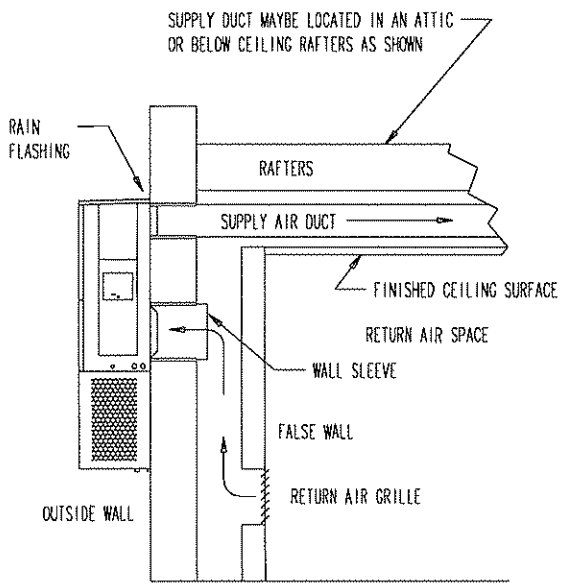
**FIGURE 7  
COMMON WALL MOUNTING INSTALLATIONS**



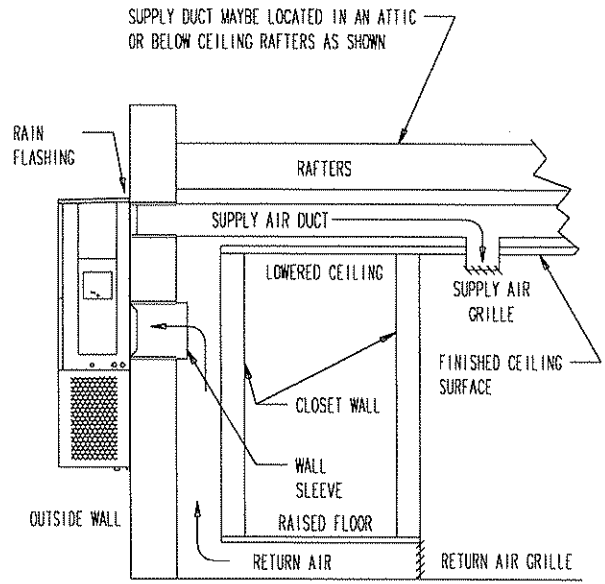
**FREE AIR FLOW NO DUCT**



**DUCTED SUPPLY RETURN AT UNIT**



**FALSE WALL INSTALLATION**



**CLOSET INSTALLATION**

## WIRING – MAIN POWER

Refer to the unit rating plate for wire sizing information and maximum fuse or “HACR” type circuit breaker size. Each outdoor unit is marked with a “Minimum Circuit Ampacity”. This means that the field wiring used must be sized to carry that amount of current. Depending on the installed KW of electric heat, there may be two field power circuits required. If this is the case, the unit serial plate will so indicate. All models are suitable only for connection with copper wire. Each unit and/or wiring diagram will be marked “Use Copper Conductors Only”. These instructions **must be** adhered to. Refer to the National Electrical Code (NEC) for complete current carrying capacity data on the various insulation grades of wiring material. All wiring must conform to NEC and all local codes.

The electrical data lists fuse and wire sizes (75° C copper) for all models including the most commonly used heater sizes. Also shown are the number of field power circuits required for the various models with heaters.

The unit rating plate lists a “Maximum Time Delay Relay Fuse” or “HACR” type circuit breaker that is to be used with the equipment. The correct size must be used for proper circuit protection and also to assure that there will be no nuisance tripping due to the momentary high starting current of the compressor motor.

The disconnect access door on this unit may be locked to prevent unauthorized access to the disconnect. To convert for the locking capability, bend the tab located in the bottom left hand corner of the disconnect opening under the disconnect access panel straight out. This tab will now line up with the slot in the door. When shut a padlock may be placed through the hole in the tab preventing entry.

## WIRING – LOW VOLTAGE WIRING

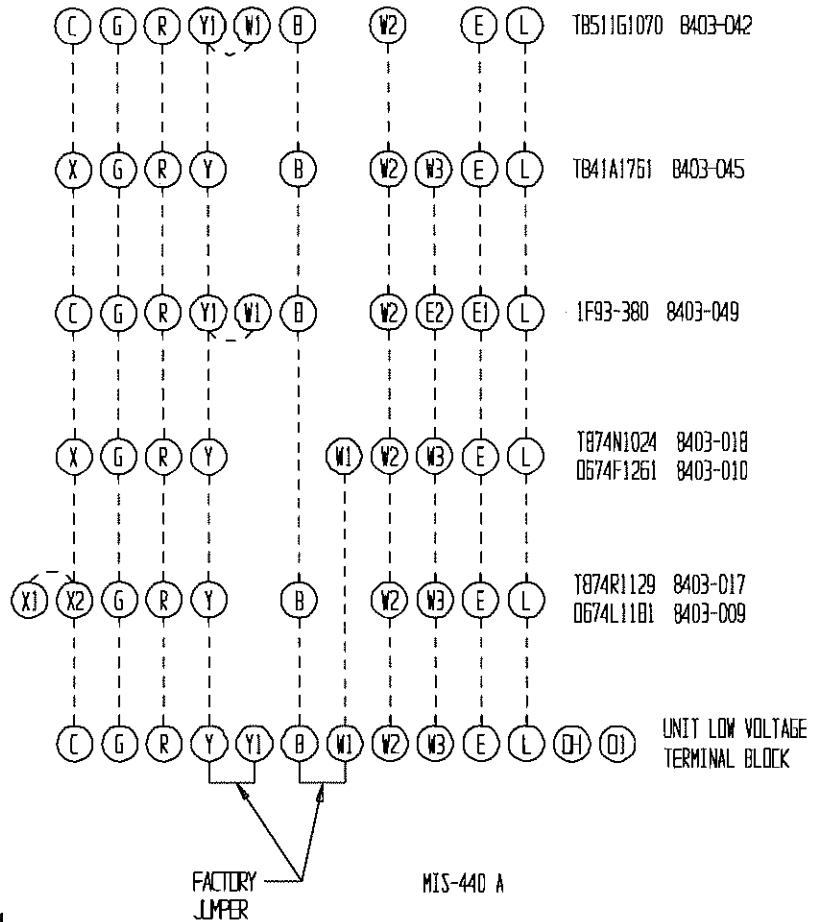
230/208V, 1 phase and 3 phase equipment dual primary voltage transformers. All equipment leaves the factory wired on 240V tap. For 208V operation, reconnect from 240V to 208V tap. The acceptable operating voltage range for the 240 and 208V taps are:

TAP	RANGE
240	253 – 216
208	220 – 187

**NOTE:** The voltage should be measured at the field power connection point in the unit and while the unit is operating at full load (maximum amperage operating condition).

Nine (9) wires should be run from thermostat subbase to the 24V terminal board in the unit. A nine conductor,

**FIGURE 8**  
**UNIT 24V TERMINAL BOARD**



18 gauge copper color-coded thermostat cable is recommended. The connection points are shown in Figure 8:

### IMPORTANT

Only the thermostat and subbase combinations as shown above will work with this equipment.

The thermostat and subbase **must be** matched, and the correct operation can be assured only by proper selection and application of these parts.

**TABLE 3**  
**THERMOSTAT WIRE SIZE**

Transformer VA	FLA	Wire Gauge	In Feet
55	2.3	20 gauge	45
		18 gauge	60
		16 gauge	100
		14 gauge	160
		12 gauge	250

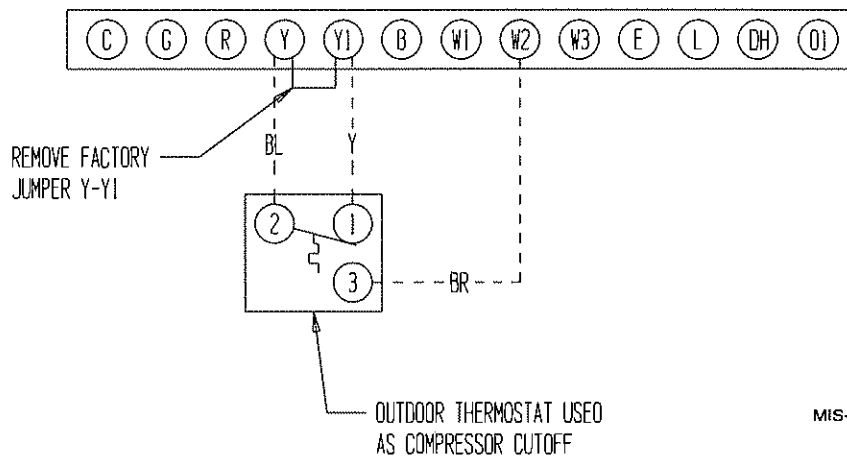
## OPTIONAL OUTDOOR THERMOSTAT APPLICATIONS

Since most equipment at the time of manufacture is not designated for any specific destination of the country and are installed in areas not approaching the lower outdoor temperature range, outdoor thermostats are not factory installed as standard equipment, but are offered as an option. There are also different applications for applying outdoor thermostats. The set point of either type of outdoor thermostat application is variable with geographic region and sizing of the heating equipment to the individual structure. Utilization of the heating Application Data, and the heat loss calculation of the building are useful in determining the correct set points.

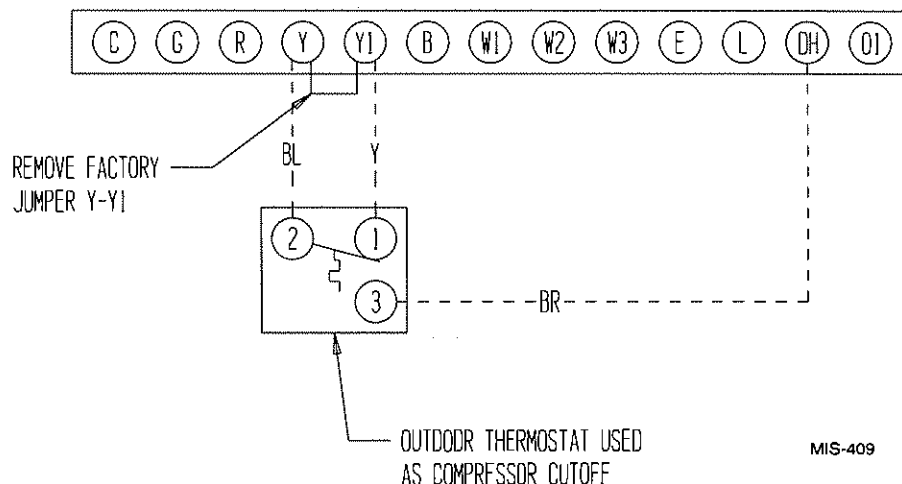
## OPTIONAL COMPRESSOR CUTOFF THERMOSTAT (See Figures 9 and 10)

Heat pump compressor operation at outdoor temperatures below 0°F are neither desirable nor advantageous in term of efficiency. An outdoor thermostat can be applied to take the mechanical heating (compressor) off line, and send the (compressor) signal to energize electric heat in its place (to make electric heat first stage heating). This can also be applied to bank the quantity of available electric heat. For example: A heat pump operates with 10KW second stage heat – once the outdoor thermostat has switched then operates 15KW without the compressor as first stage heat.

**FIGURE 9**  
**COMPRESSOR CUTOFF THERMOSTAT WIRING**  
**4 – 10KW 1 PH – 6 & 9KW 3 PH**



**FIGURE 10**  
**COMPRESSOR CUTOFF THERMOSTAT WIRING**  
**15 – 20KW 1 PH AND 3 PH**



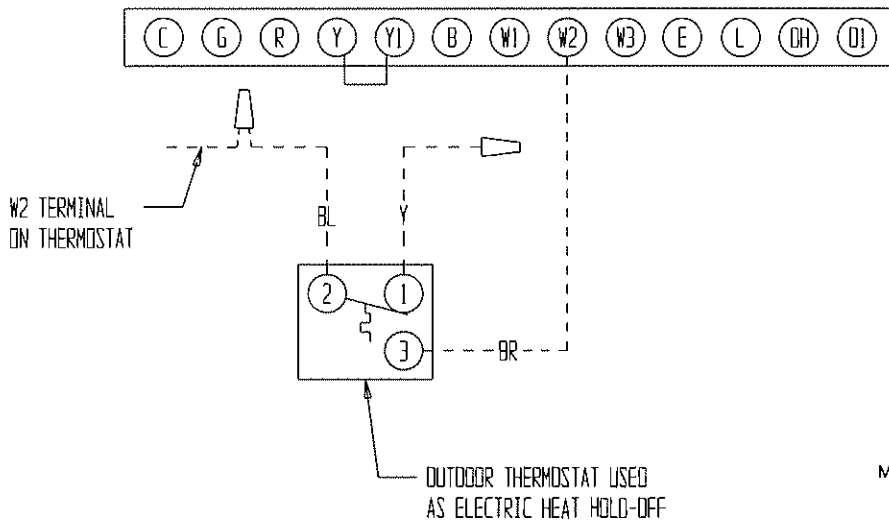
## ELECTRIC HEAT HOLD-OFF ( See Figures 11 and 12)

In other applications, it is desirable to disable the operation of the electric heat until outdoor temperatures have reached a certain design point. This won't allow the electric heat to come on as second stage heating unless the outdoor temperature is below the set point of the outdoor thermostat. This is done to maximize efficiency by utilizing the heat pump to bring the conditioned space temperature up, rather than cycling on the electric heat due a second stage call for heat from the thermostat on start-up coming off a night set-back condition or someone increasing the thermostat set point. (NOTE: Some programmable thermostats do have a built-in time delay for pulling in second stage heat when coming off set-back conditions.)

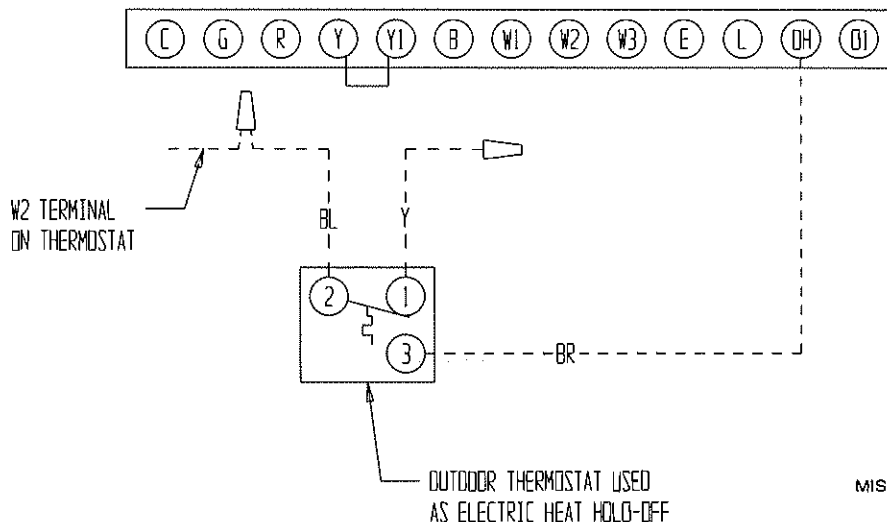
## HEAT ANTICIPATION

All of the thermostats shown in Table 5 have a fixed heat anticipator for stage 1 with no adjustment required. Stage 2 has an adjustable anticipator of the W2 connection and fixed for the W3 connection. Both the W2 and W3 circuits are controlled by the stage 2 bulb. The only heat anticipator that needs to be checked is stage 2 and it should be set to match the load carried by the W2 circuit. The normal factory wiring provides for only one electric heat contactor to be controlled by W2, and the anticipator should be set at .40A. If special field wiring is done, it is best to actually measure the load but a good rule is .40A for *each* heat contactor controlled by W2.

**FIGURE 11**  
**ELECTRIC HEAT HOLD-OFF WIRING**  
**4 - 10KW 1 PH - 6 & 9KW 3 PH**



**FIGURE 12**  
**ELECTRIC HEAT HOLD-OFF WIRING**  
**15 - 20KW 1 PH AND 3 PH**





## THERMOSTAT INDICATOR LAMPS

The red lamp marked "Em. Ht." comes on and stays on whenever the system switch is placed in the emergency heat position. The green lamp marked "check" will come on if there is any problem that prevents the compressor from running when it is supposed to be.

## EMERGENCY HEAT POSITION

The operator of the equipment must manually place the system switch in this position. This is done when there is a known problem with the unit, or when the green "check" lamp comes on indicating a problem.

## COMPRESSOR MALFUNCTION LIGHT

Actuation of the green "check" lamp is accomplished by a relay output from the heat pump control board which is factory installed. Any condition such as loss of charge, high head pressure, etc., that will prevent compressor from operating will cause the green lamp to activate. This is a signal to the operator of the equipment to place system in emergency heat position.

**TABLE 4  
WALL THERMOSTAT AND SUBBASE COMBINATIONS**

Thermostat	Subbase	Predominant Features
8403-045 (T841A1761)	---	1 stg. cool; 2 stg. heat; Mercury bulb Manual changeover
8403-017 (T874R1129)	8404-009 (Q674L1181)	2 stg. cool; 2 stg. heat; Mercury bulb ① Manual changeover
8403-018 (T874N1024)	8404-010 (Q674F1261)	2 stg. cool; 2 stg. heat; Mercury bulb ② Auto or Manual changeover
8403-042 (T8511G1070)	---	1 stg. cool; 2 stg. heat Electronic Non-Programmable Auto or Manual changeover
8403-049 (1F943-380)	---	2 stg. cool; 3 stg. heat Programmable Electronic Auto or Manual changeover

- ① No automatic changeover position – must manually place in heat or cool. Reversing valve remains energized at all times system switch is in heat position (except during defrost cycle). No pressure equalization noise when thermostat is satisfied on either heating or cooling.
- ② Allows thermostat to control both heating and cooling operation when set in "Auto" position. Reversing valve de-energizes at end of each "ON" heating cycle.

## IMPORTANT

Both thermostat and subbase combinations shown above incorporate the following features: Man – Auto fan switch, Off – Heat – Em. Heat switch, and two (2) indicator lamps; one for emergency heat and one for compressor malfunction.

# START UP

---

## IMPORTANT INSTALLER NOTE

For improved start up performance wash the indoor coil with a dish washing detergent.

## HIGH PRESSURE SWITCH

All models are supplied with a remote reset high pressure switch. If tripped, this pressure switch may be reset by turning the thermostat off then back on again.

## THREE PHASE SCROLL COMPRESSOR START UP INFORMATION

Scroll compressors, like several other types of compressors, will only compress in one rotational direction. Direction of rotation is not an issue with single phase compressors since they will always start and run in the proper direction.

However, three phase compressors will rotate in either direction depending upon phasing of the power. Since there is a 50-50 chance of connecting power in such a way as to cause rotation in the reverse direction, verification of proper rotation must be made. All three phase units incorporate a phase monitor to ensure proper field wiring. See the "Phase Monitor" section later in this manual.

Verification of *proper rotation* must be made any time a compressor is changed or rewired. If improper rotation is corrected at this time there will be no negative impact on the durability of the compressor. However, reverse operation for over one hour may have a negative impact on the bearing due to oil pump out.

*NOTE: If compressor is allowed to run in reverse rotation for several minutes, the compressor's internal protector will trip.*

All three phase ZR3 compressors are wired identically internally. As a result, once the correct phasing is determined for a specific system or installation, connecting properly phased power leads to the same Fusite terminal should maintain proper rotation direction.

Verification of proper rotation direction is made by observing that suction pressure drops and discharge pressure rises when the compressor is energized. Reverse rotation also results in an elevated sound level over that with correct rotations, as well as, substantially reduced current draw compared to tabulate values.

The direction of rotation of the compressor may be changed by reversing any two line connections to the unit.

## PHASE MONITOR

All units with three phase compressors are equipped with a 3 phase line monitor to prevent compressor damage due to phase reversal.

The phase monitor in this unit is equipped with two LEDs. If the Y signal is present at the phase monitor and phases are correct, the green LED will light. If phases are reversed, the red fault LED will be lit and compressor operation is inhibited.

If a fault condition occurs, reverse two of the supply leads to the unit. Do not reverse any of the unit factory wires as damage may occur.

## SERVICE HINTS

1. Caution homeowner to maintain clean air filters at all times. Also, not to needlessly close off supply and return air registers. This reduces air flow through the system, which shortens equipment service life as well as increasing operating costs.
2. Switching to heating cycle at 75° F or higher outside temperature may cause a nuisance trip of the remote reset high pressure switch. Turn thermostat off then on to reset the high pressure switch.
3. The heat pump wall thermostats perform multiple functions. Be sure that all function switches are correctly set for the desired operating mode before trying to diagnose any reported service problems.
4. Check all power fuses or circuit breakers to be sure they are the correct rating.
5. Periodic cleaning of the outdoor coil to permit full and unrestricted airflow circulation is essential.

## SEQUENCE OF OPERATION

**COOLING** – Circuit R-Y makes at thermostat pulling in compressor contactor, starting the compressor and outdoor motor. The G (indoor motor) circuit is automatically completed on any call for cooling operation or can be energized by manual fan switch on subbase for constant air circulation.

**HEATING** – A 24V solenoid coil on reversing valve controls heating cycle operation. Two thermostat options, one allowing "Auto" changeover from cycle to cycle and the other constantly energizing solenoid coil during heating season and thus eliminating pressure equalization noise except during defrost, are to be used.

On "Auto" option a circuit is completed from R-W1 and R-Y on each heating "on" cycle, energizing reversing valve solenoid and pulling in compressor contactor starting compressor and outdoor motor. R-G also make starting indoor blower motor. Heat pump heating cycle now in operation. The second option has no "Auto" changeover position, but instead energizes the reversing valve solenoid constantly whenever the system switch on subbase is placed in "Heat" position, the "B" terminal being constantly energized from R. A thermostat demand for heat completes R-Y circuit, pulling in compressor contactor starting compressor and outdoor motor. R-G also make starting indoor blower motor.

## PRESSURE SERVICE PORTS

High and low pressure service ports are installed on all units so that the system operating pressures can be observed. Pressure tables can be found later in the manual covering all models on both cooling and heating cycles. It is imperative to match the correct pressure table to the unit by model number.

## DEFROST CYCLE

The defrost cycle is controlled by temperature and time on the solid state heat pump control. See Figure 13.

When the outdoor temperature is in the lower 40° F temperature range or colder, the outdoor coil temperature is 32° F or below. This coil temperature is sensed by the coil temperature sensor mounted near the bottom of the outdoor coil. Once coil temperature reaches 30° F or below, the coil temperature sensor sends a signal to the control logic of the heat pump control and the defrost timer will start.

After 60 minutes at 30° F or below, the heat pump control will place the system in the defrost mode.

During the defrost mode, the refrigerant cycle switches back to the cooling cycle, the outdoor motor stops, electric heaters are energized, and hot gas passing through the outdoor coil melts any accumulated frost. When the temperature rises to approximately 57° F, the coil temperature sensor will send a signal to the heat pump control which will return the system to heating operations automatically.

If some abnormal or temporary condition such as a high wind causes the heat pump to have a prolonged defrost cycle, the heat pump control will restore the system to heating operation automatically after 10 minutes.

The heat pump defrost control board has an option of 30, 60 or 90 minutes setting. All models are shipped from the factory on the 60 minute pin. If special circumstances require a change to another time, remove the wire from the 60 minute terminal and reconnect to the desired terminal. The manufacturer's recommendation is for 60 minute defrost cycles. Refer to Figure 13.

There is a cycle speed up jumper on the control. This can be used to reduce the time between defrost cycle operation without waiting for time to elapse.

Use a small screwdriver or other metallic object, or another 1/4 inch QC, to short between the *SPEEDUP* terminals to accelerate the HPC timer and initiate defrost.

Be careful not to touch any other terminals with the instrument used to short the *SPEEDUP* terminals. It may take up to 10 seconds with the *SPEEDUP* terminals shorted for the speedup to be completed and the defrost cycle to start.

***As soon as the defrost cycle kicks in remove the shorting instrument from the SPEEDUP terminals.***

Otherwise the timing will remain accelerated and run through the 1 minute minimum defrost length sequence in a matter of seconds and will automatically terminate the defrost sequence.

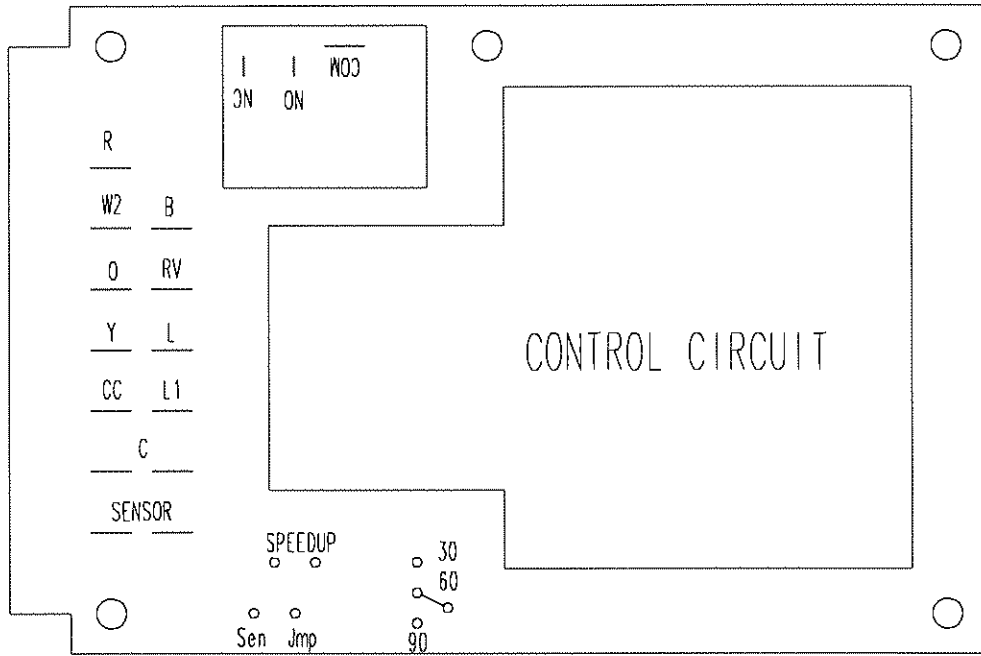
There is an initiate defrost jumper (sen jump) on the control that can be used at any outdoor ambient during the heating cycle to simulate a 0° coil temperature. This can be used to check defrost operation of the unit without waiting for the outdoor ambient to fall into the defrost region.

By placing a jumper across the *SEN JMP* terminals (a 1/4 inch QC terminal works best) the defrost sensor mounted on the outdoor coil is shunted out and will activate the timing circuit. This permits the defrost cycle to be checked out in warmer weather conditions without the outdoor temperature having to fall into the defrost region.

In order to terminate the defrost test the *SEN JMP* jumper must be removed. If left in place too long the compressor could stop due to the high pressure control opening because of high pressure condition created by operating in the cooling mode with outdoor fan off. Pressure will rise fairly fast as there is likely no actual frost on the outdoor coil in this artificial test condition.

There is also a 5 minute compressor time delay function built into the HPC. This is to protect the compressor from short cycling conditions. In some instances it is helpful to the service technician to override or speed up this timing period, and shorting out the *SPEEDUP* terminals for a few seconds can do this.

**FIGURE 13  
DEFROST CONTROL BOARD**



MIS-1191

# TROUBLESHOOTING

## SOLID STATE HEAT PUMP CONTROL TROUBLESHOOTING PROCEDURE

1. Turn on AC power supply to indoor and outdoor units.
2. Turn thermostat blower switch to fan on. The indoor blower should start. (If it doesn't, troubleshoot indoor unit and correct problem.)

3. Turn thermostat blower switch to auto position. Indoor blower should stop.
4. Set system switch to heat or cool. Adjust thermostat to call for heat or cool. The indoor blower, compressor, and outdoor fan should start.

*NOTE: If there was no power to 24 volt transformer, the compressor and outdoor fan motor will not start for 5 minutes. This is because of the compressor short cycle protection.*

**TABLE 5  
TROUBLESHOOTING**

SYMPTOM	POSSIBLE CAUSES	WHAT TO CHECK	HOW TO CHECK OR REPAIR
Compressor contactor does not energize (cooling or heating)	Control circuit wiring	Check for R connection at unit, and 24V between R-C	Run R connection to outdoor unit to power heat pump control
	Compressor lock out	1. Check for 24V between L1-C on heat pump control 2. Check across high pressure switch.	1. If no voltage between L-C turn thermostat off and on again to reset high pressure switch. 2. If high pressure switch is open and will not reset, replace high pressure switch.
	Compressor short cycle protection	Check for 24V between CC-C and Y-C on heat pump control	If no voltage between CC-C, jumper speed up terminal and within 10 seconds power should appear between CC-C. Remove speed up jumper after 10 seconds
	Heat pump control defective	Check all other possible causes. Manual 2100-065	Replace heat pump control
	Contactator defective	Check for open or shorted coil winding	Replace contactor
	Power phasing not correct.	Check for red LED on phase monitor. (3 phase units only.)	Switch two power leads to the unit.
Fan outdoor motor does not run (cooling or heating except during defrost)	Motor defective	Check for open or shorted motor winding	Replace motor
	Motor capacitor defective	Check capacitor rating. Check for open or shorted capacitor.	Replace capacitor
	Heat pump control defective	Check across fan relay on heat pump control (Com-NC)	Replace heat pump control
Reversing valve does not energize (heating only)	Reversing valve solenoid coil defective	Check for open or shorted coil	Replace solenoid coil
	Heat pump control defective	Check for 24V between RV-C and B-C	1. Check control circuit wiring 2. Replace heat pump control
Unit will not go into defrost (heating only)	Temperature sensor or heat pump control defective	Disconnect temperature sensor from board and jumper across speed up terminals and sensor jump terminals. This should cause the unit to go through a defrost cycle within one minute.	1. If unit goes through defrost cycle, replace temperature sensor 2. If unit does not go through defrost cycle, replace heat pump control.
Unit will not come out of defrost (heating only)	Temperature sensor or heat pump control defective	Jumper across speed up terminals. This should cause the unit to come out of defrost within one minute.	1. If unit comes out of defrost cycle, replace temperature sensor. 2. If unit does not come out of defrost cycle, replace heat pump control.

**CHECKING TEMPERATURE SENSOR OUTSIDE UNIT CIRCUIT**

1. Disconnect temperature sensor from board and from outdoor coil.
2. Use an ohmmeter and measure the resistance of the sensor. Also use ohmmeter to check for short or open.

3. Check resistance reading to chart of resistance use sensor ambient temperature. (Tolerance of part is  $\pm 10\%$ )
4. If sensor resistance reads very low, then sensor is shorted and will not allow proper operation of the heat pump control.
5. If sensor is out of tolerance, shorted, open, or reads very low ohms then it should be replaced.

**TEMPERATURE F VS RESISTANCE R OF TEMPERATURE**

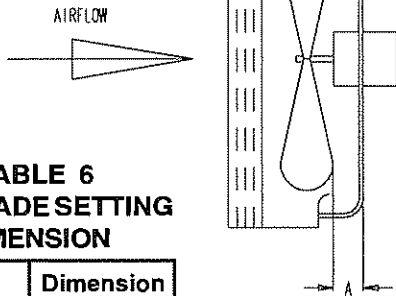
F	R	F	R	F	R
-25.0	196871	25.0	39898	75.0	10501
-24.0	190099	26.0	38757	76.0	10247
-23.0	183585	27.0	37652	77.0	10000
-22.0	177318	28.0	36583	78.0	9760
-21.0	171289	29.0	35548	79.0	9526
-20.0	165487	30.0	34545	80.0	9299
-19.0	159904	31.0	33574	81.0	9077
-18.0	154529	32.0	32634	82.0	8862
-17.0	149355	33.0	31723	83.0	8653
-16.0	144374	34.0	30840	84.0	8449
-15.0	139576	35.0	29986	85.0	8250
-14.0	134956	36.0	29157	86.0	8057
-13.0	130506	37.0	28355	87.0	7869
-12.0	126219	38.0	27577	88.0	7686
-11.0	122089	39.0	26823	89.0	7507
-10.0	118108	40.0	26092	90.0	7334
-9.0	114272	41.0	25383	91.0	7165
-8.0	110575	42.0	24696	92.0	7000
-7.0	107010	43.0	24030	93.0	6840
-6.0	103574	44.0	23384	94.0	6683
-5.0	100260	45.0	22758	95.0	6531
-4.0	97064	46.0	22150	96.0	6383
-3.0	93981	47.0	21561	97.0	6239
-2.0	91008	48.0	20989	98.0	6098
-1.0	88139	49.0	20435	99.0	5961
0.0	85371	50.0	19896	100.0	5827
1.0	82699	51.0	19374	101.0	5697
2.0	80121	52.0	18867	102.0	5570
3.0	77632	53.0	18375	103.0	5446
4.0	75230	54.0	17898	104.0	5326
5.0	72910	55.0	17434	105.0	5208
6.0	70670	56.0	16984	106.0	5094
7.0	68507	57.0	16547	107.0	4982
8.0	66418	58.0	16122	108.0	4873
9.0	64399	59.0	15710	109.0	4767
10.0	62449	60.0	15310	110.0	4663
11.0	60565	61.0	14921	111.0	4562
12.0	58745	62.0	14544	112.0	4464
13.0	56985	63.0	14177	113.0	4367
14.0	55284	64.0	13820	114.0	4274
15.0	53640	65.0	13474	115.0	4182
16.0	52051	66.0	13137	116.0	4093
17.0	50514	67.0	12810	117.0	4006
18.0	49028	68.0	12492	118.0	3921
19.0	47590	69.0	12183	119.0	3838
20.0	46200	70.0	11883	120.0	3757
21.0	44855	71.0	11591	121.0	3678
22.0	43554	72.0	11307	122.0	3601
23.0	42295	73.0	11031	123.0	3526
24.0	41077	74.0	10762	124.0	3452

## FAN BLADE SETTING DIMENSIONS

Shown in Figure 14 and Table 6 are the correct fan blade setting dimensions for proper air delivery across the outdoor coil.

Any service work requiring removal or adjustment in the fan and/or motor area will require that the dimensions below be checked and blade adjusted in or out on the motor shaft accordingly.

**FIGURE 14  
FAN BLADE SETTING**



**TABLE 6  
FAN BLADE SETTING  
DIMENSION**

Model	Dimension A
WH262 WH311	1.00

MIS-1272

## REMOVAL OF FAN SHROUD

1. Disconnect all power to the unit.
2. Remove the screws holding both grilles, one on each side of unit, and remove grilles.
3. Remove screws holding fan shroud to condenser and bottom. Nine (9) screws.
4. Unwire condenser fan motor.
5. Slide complete motor, fan blade, and shroud assembly out the left side of the unit.
6. Service motor/fan as needed.
7. Reverse steps to reinstall.

## REFRIGERANT CHARGE

The correct system R-22 charge is shown on the unit rating plate. Optimum unit performance will occur with a refrigerant charge resulting in a suction line temperature (6" from compressor) as shown in Table 7.

**TABLE 7  
REFRIGERANT CHARGE**

Model	Rated Airflow	95°F OD Temperature	82°F OD Temperature
WH262	800	67 - 69	64 - 66
WH311	800	66 - 68	64 - 66

The suction line temperatures in Table 7 are based upon 80° F dry bulb / 67° F wet bulb (50% R.H.) temperature and rated airflow across the evaporator during cooling cycle.

**TABLE 8  
INDOOR BLOWER PERFORMANCE  
CFM @ 230V**

E.S.P. In H <sub>2</sub> O	WH262, WH311			
	Low Speed		High Speed	
	Dry Coil	Wet Coil	Dry Coil	Wet Coil
.0	950	900	1050	1000
.1	840	800	900	850
.2	750	650	750	700
.3	---	---	600	550

**TABLE 9  
RECOMMENDED OPERATING RANGES**

Model	Rated CFM *	Rated ESP *	Recommended Airflow Range
WH262	800	.10	600 - 900
WH311	800	.10	600 - 900

\* Rated CFM and ESP on high speed tap.

**TABLE 10  
PRESSURE TABLE**

**COOLING**

Air Temperature Entering Outdoor Coil °F

Model	Return Air Temperature	Pressure	75	80	85	90	95	100	105	110	115
WH262	75 deg. DB 62 deg. WB	Low Side	78	79	80	81	81	82	83	83	84
		High Side	200	215	232	251	269	290	312	334	359
	80 deg. DB 67 deg. WB	Low Side	83	84	86	87	87	88	89	89	90
		High Side	205	221	238	257	276	297	320	343	368
	85 deg. DB 72 deg. WB	Low Side	86	87	89	90	90	91	92	92	93
		High Side	212	229	246	266	286	307	331	355	381
WH311	75 deg. DB 62 deg. WB	Low Side	73	74	75	76	77	78	78	79	79
		High Side	190	205	220	237	254	272	291	309	330
	80 deg. DB 67 deg. WB	Low Side	78	79	80	81	82	83	83	84	84
		High Side	195	210	226	243	260	279	298	317	338
	85 deg. DB 72 deg. WB	Low Side	81	82	83	84	85	86	86	87	87
		High Side	202	217	234	252	269	289	308	328	350

**TABLE 11  
PRESSURE TABLE**

**HEATING**

Air Temperature Entering Outdoor Coil °F

Model	Return Air Temperature	Pressure	0	5	10	15	20	25	30	35	40	45	50	55	60	65
WH262	70 deg.	Low Side	12	17	22	27	32	37	42	48	53	58	63	69	74	80
		High Side	152	159	165	172	178	185	192	198	205	212	219	226	233	240
WH311	70 deg.	Low Side	19	21	24	27	30	34	38	43	48	54	60	67	74	82
		High Side	184	185	187	190	195	201	208	216	226	237	249	263	278	294

Low side pressure ± 2 PSIG

High side pressure ± 5 PSIG

Tables are based upon rated CFM (airflow) across the evaporator coil. If there is any doubt as to correct operating charge being in the system, the charge should be removed, system evacuated and recharged to serial plate instruction.

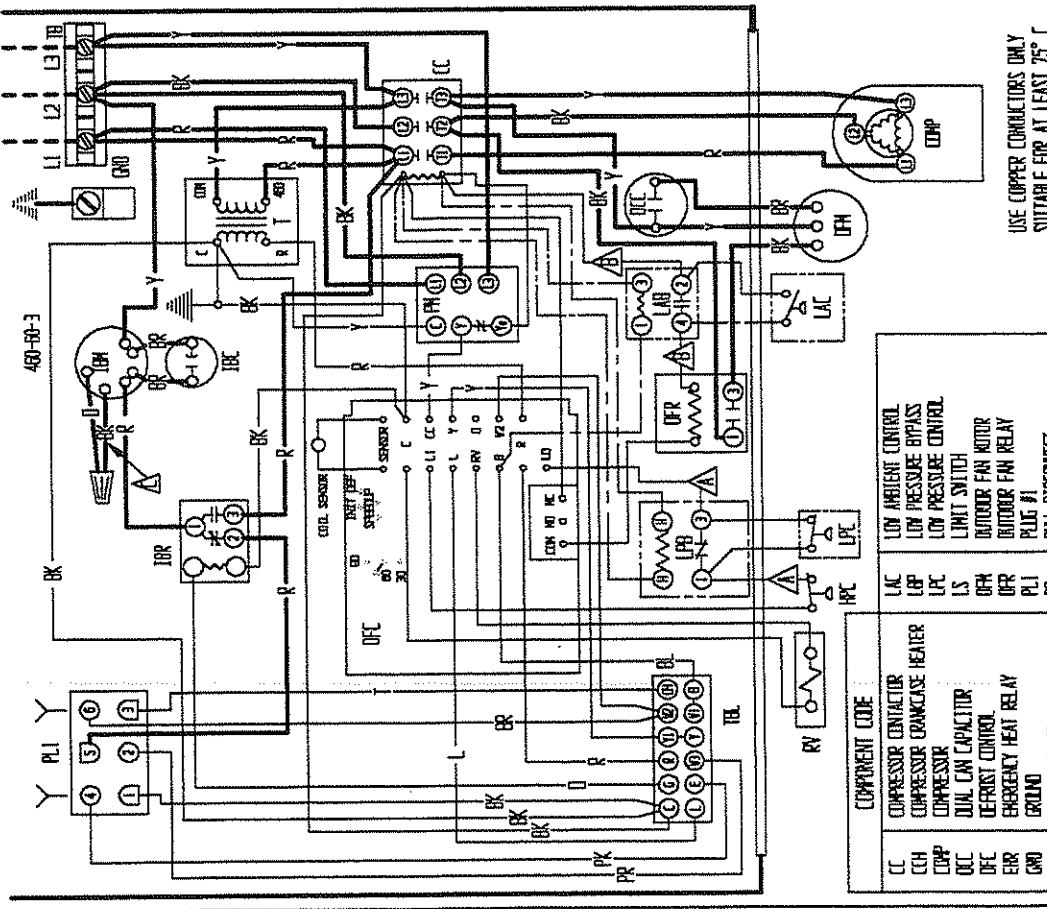
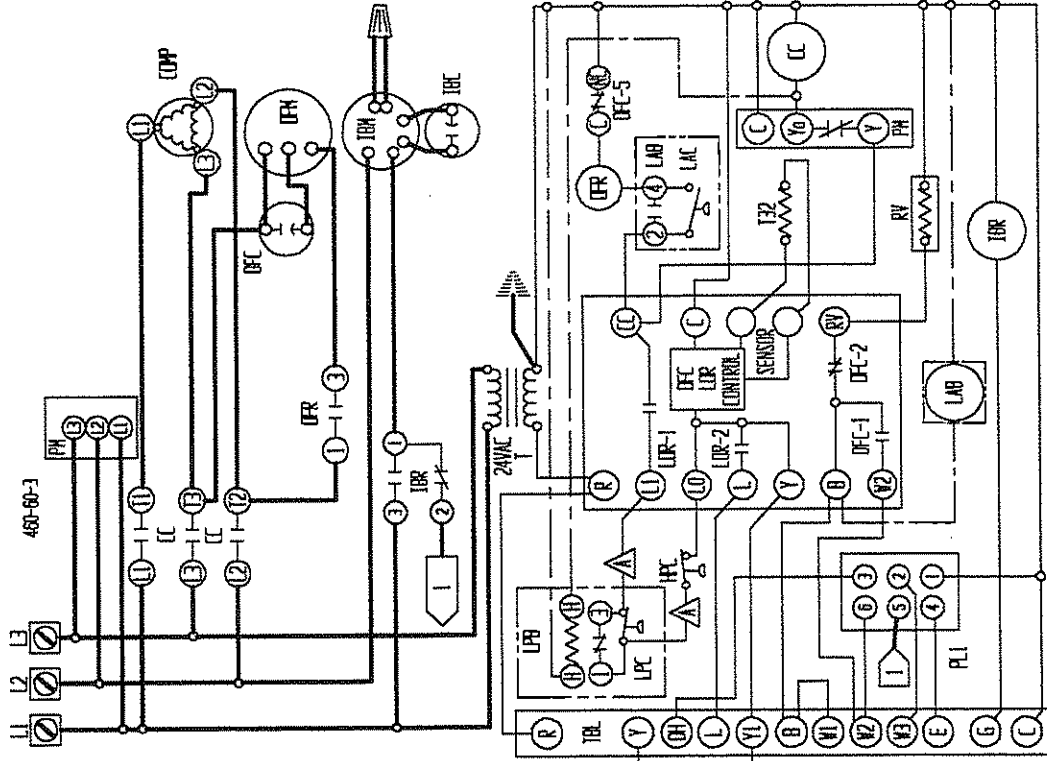


**TABLE 12  
OPTIONAL ACCESSORIES**

<b>Model</b>	<b>Description</b>	<b>WH262-A</b>	<b>WH262-B</b>	<b>WH262-C</b>	<b>WH311-A</b>	<b>WH311-B</b>	<b>WH311-C</b>
BOP-3	Blank Off Plate	X	X	X	X	X	X
BFAD-3	Barometric Fresh Air Damper	X	X	X	X	X	X
MFAD-3	Motorized Fresh Air Damper	X	X	X	X	X	X
WERV-A3A	Energy Recovery Ventilator	X	X		X	X	
WERV-C3A	Energy Recovery Ventilator			X			X
CMH-3	Low Pressure Control (LPC)	X	X	X	X	X	X
CMH-7	Low Ambient Control (LAC)	X	X		X	X	
CMH-9	LAC + LPC	X	X		X	X	
CMH-14	Outdoor Thermostat (ODT)	X			X		
CMC-15	Start Kit (SK)	X			X		







FOR LOW SPEED CONNECT BLACK AND BRASS WIRES TOGETHER AND INSULATE. CONNECT RED WIRE TO TERMINAL 1 OF IFR/ IFR-1 SEPARATELY. CONNECT BLACK TO T1 OF IFR/ IFR-1 SEPARATELY. CONNECT BLACK TO T1 OF IFR/ IFR-1 SEPARATELY.

FOR HIGH SPEED TAPE BRASS AND RED LEADS SEPARATELY. CONNECT BLACK TO T1 OF IFR/ IFR-1 SEPARATELY. CONNECT BLACK TO T1 OF IFR/ IFR-1 SEPARATELY.

FACTORY STD.	FIELD	OPTIONAL
HIGH VOLTAGE	---	---
LOW VOLTAGE	---	---
ACCESSORY	---	---

COMPONENT CODE	COLOR CODE	IN	PK	L	LANE
CC	BLACK	Y	VIOLET	I	TAN
CC#1	BROWN	G	PARALE	PK	PINK
CC#2	RED	BL	GRAY	L	LANE
CC#3	ORANGE	W	SLATE		

BARCO MFG. CO.  
4096-319 A

USE COPPER CONDUCTORS ONLY  
SUITABLE FOR AT LEAST 75° C

COMPONENT CODE	DESCRIPTION
CC	COMPRESSOR CONTACTOR
CC#1	COMPRESSOR CONTACTOR #1
CC#2	COMPRESSOR CONTACTOR #2
CC#3	COMPRESSOR CONTACTOR #3
CC#4	COMPRESSOR CONTACTOR #4
CC#5	COMPRESSOR CONTACTOR #5
CC#6	COMPRESSOR CONTACTOR #6
CC#7	COMPRESSOR CONTACTOR #7
CC#8	COMPRESSOR CONTACTOR #8
CC#9	COMPRESSOR CONTACTOR #9
CC#10	COMPRESSOR CONTACTOR #10
CC#11	COMPRESSOR CONTACTOR #11
CC#12	COMPRESSOR CONTACTOR #12
CC#13	COMPRESSOR CONTACTOR #13
CC#14	COMPRESSOR CONTACTOR #14
CC#15	COMPRESSOR CONTACTOR #15
CC#16	COMPRESSOR CONTACTOR #16
CC#17	COMPRESSOR CONTACTOR #17
CC#18	COMPRESSOR CONTACTOR #18
CC#19	COMPRESSOR CONTACTOR #19
CC#20	COMPRESSOR CONTACTOR #20
CC#21	COMPRESSOR CONTACTOR #21
CC#22	COMPRESSOR CONTACTOR #22
CC#23	COMPRESSOR CONTACTOR #23
CC#24	COMPRESSOR CONTACTOR #24
CC#25	COMPRESSOR CONTACTOR #25
CC#26	COMPRESSOR CONTACTOR #26
CC#27	COMPRESSOR CONTACTOR #27
CC#28	COMPRESSOR CONTACTOR #28
CC#29	COMPRESSOR CONTACTOR #29
CC#30	COMPRESSOR CONTACTOR #30
CC#31	COMPRESSOR CONTACTOR #31
CC#32	COMPRESSOR CONTACTOR #32
CC#33	COMPRESSOR CONTACTOR #33
CC#34	COMPRESSOR CONTACTOR #34
CC#35	COMPRESSOR CONTACTOR #35
CC#36	COMPRESSOR CONTACTOR #36
CC#37	COMPRESSOR CONTACTOR #37
CC#38	COMPRESSOR CONTACTOR #38
CC#39	COMPRESSOR CONTACTOR #39
CC#40	COMPRESSOR CONTACTOR #40
CC#41	COMPRESSOR CONTACTOR #41
CC#42	COMPRESSOR CONTACTOR #42
CC#43	COMPRESSOR CONTACTOR #43
CC#44	COMPRESSOR CONTACTOR #44
CC#45	COMPRESSOR CONTACTOR #45
CC#46	COMPRESSOR CONTACTOR #46
CC#47	COMPRESSOR CONTACTOR #47
CC#48	COMPRESSOR CONTACTOR #48
CC#49	COMPRESSOR CONTACTOR #49
CC#50	COMPRESSOR CONTACTOR #50
CC#51	COMPRESSOR CONTACTOR #51
CC#52	COMPRESSOR CONTACTOR #52
CC#53	COMPRESSOR CONTACTOR #53
CC#54	COMPRESSOR CONTACTOR #54
CC#55	COMPRESSOR CONTACTOR #55
CC#56	COMPRESSOR CONTACTOR #56
CC#57	COMPRESSOR CONTACTOR #57
CC#58	COMPRESSOR CONTACTOR #58
CC#59	COMPRESSOR CONTACTOR #59
CC#60	COMPRESSOR CONTACTOR #60
CC#61	COMPRESSOR CONTACTOR #61
CC#62	COMPRESSOR CONTACTOR #62
CC#63	COMPRESSOR CONTACTOR #63
CC#64	COMPRESSOR CONTACTOR #64
CC#65	COMPRESSOR CONTACTOR #65
CC#66	COMPRESSOR CONTACTOR #66
CC#67	COMPRESSOR CONTACTOR #67
CC#68	COMPRESSOR CONTACTOR #68
CC#69	COMPRESSOR CONTACTOR #69
CC#70	COMPRESSOR CONTACTOR #70
CC#71	COMPRESSOR CONTACTOR #71
CC#72	COMPRESSOR CONTACTOR #72
CC#73	COMPRESSOR CONTACTOR #73
CC#74	COMPRESSOR CONTACTOR #74
CC#75	COMPRESSOR CONTACTOR #75
CC#76	COMPRESSOR CONTACTOR #76
CC#77	COMPRESSOR CONTACTOR #77
CC#78	COMPRESSOR CONTACTOR #78
CC#79	COMPRESSOR CONTACTOR #79
CC#80	COMPRESSOR CONTACTOR #80
CC#81	COMPRESSOR CONTACTOR #81
CC#82	COMPRESSOR CONTACTOR #82
CC#83	COMPRESSOR CONTACTOR #83
CC#84	COMPRESSOR CONTACTOR #84
CC#85	COMPRESSOR CONTACTOR #85
CC#86	COMPRESSOR CONTACTOR #86
CC#87	COMPRESSOR CONTACTOR #87
CC#88	COMPRESSOR CONTACTOR #88
CC#89	COMPRESSOR CONTACTOR #89
CC#90	COMPRESSOR CONTACTOR #90
CC#91	COMPRESSOR CONTACTOR #91
CC#92	COMPRESSOR CONTACTOR #92
CC#93	COMPRESSOR CONTACTOR #93
CC#94	COMPRESSOR CONTACTOR #94
CC#95	COMPRESSOR CONTACTOR #95
CC#96	COMPRESSOR CONTACTOR #96
CC#97	COMPRESSOR CONTACTOR #97
CC#98	COMPRESSOR CONTACTOR #98
CC#99	COMPRESSOR CONTACTOR #99
CC#100	COMPRESSOR CONTACTOR #100