
INSTALLATION INSTRUCTIONS

ELECTRIC HEAT PACKAGES

Models:

EHWA38-A05	EHWH38-B06	EHWH49-C09
EHWA38-A08	EHWH38-B09	EHWH49DA10
EHWA38-A10	EHWH38DA10	EHWH49DB09
EHWA38-B06	EHWH38DB06	EHWH49DC09
EHWA38-B09	EHWH38DB09	EHWH61-A05
EHWA38-C06	EHWH38DC06	EHWH61-A08
EHWA49-A05	EHWH38DC09	EHWH61-A10
EHWA49-B06	EHWH49-A05	EHWH61-A20
EHWA61-A05	EHWH49-A08B	EHWH61-C09
EHWA61-A08B	EHWH49-A10B	EHWH61DA10B
EHWA61-A10B	EHWH49-B06	EHWH61DB09
EHWA61-B09	EHWH49-B09	EHWH61DC09
EHWH38-A05	EHWH49-C06	

For Use With SH, WH and WA Series
Wall-Mounted Air Conditioners and Heat Pumps
(See Table 1A for Model Usage Matrix)



Climate Control Solutions

Bard Manufacturing Company, Inc.
Bryan, Ohio 43506
www.bardhvac.com

Manual: 2100-352F
Supersedes: 2100-352E
File: Tab 18
Date: 09-19-14

CONTENTS

General Information

Description	3
Model Nomenclature	3
Important	6
Shipping Damage	6
Unpacking the Electric Heat Package.....	6
Wiring – Main Power	6

Installation Instructions

Installation	9
--------------------	---

Figures

Figure 1	Converting Heater Package to Dual Circuit	7
Figure 2	Remove Cover & Panel	9
Figure 3	Mounting Holes.....	10
Figure 4A	Electric Heat Option & Usage	12
Figure 4B	Electric Heat Option & Usage	12
Figure 4C	Electric Heat Option & Usage	12
Figure 4D	Electric Heat Option & Usage	12
Figure 5	Wire Routing.....	13
Figure 6	Serial Plate	14

Tables

Table 1A	Approved Heater Ustage Matrix	4
Table 1B	Approved Heater Ustage Matrix	4
Table 1C	Approved Heater Ustage Matrix	5
Table 2	Electrical Data and BTU Output	8
Table 3	Drawing No. & Rod Support Position for Heater Packages	11

Bard Manufacturing Company, Inc.
Bryan, Ohio 43506

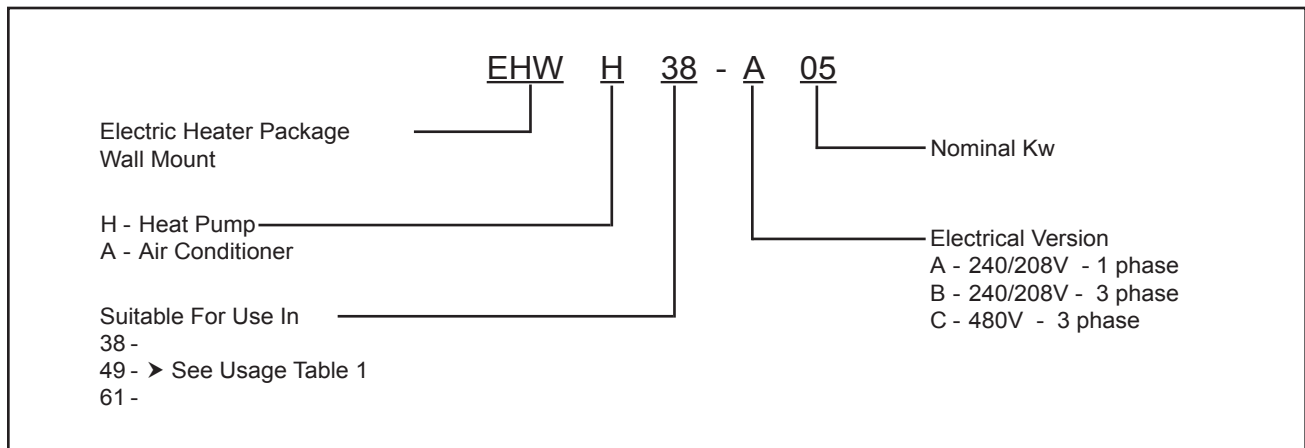
GENERAL INFORMATION

DESCRIPTION

The EHWA and EHWH series electric heater packages are field installable heater packages suitable for use with Bard wall mount hi boy air conditioners or heat pumps. The packages consist of the electric heat strip, the heater control base which includes the heat contactors and circuit breaker or pull disconnects,

installation instructions and wiring diagrams. See Table 1 for nominal electrical data and BTU output. Before installation, check unit serial plate to insure the heater package model that you intend to install is listed as a heater package that is suitable for use with the Bard wall mount hi boy unit. See Figure 6.

NOMENCLATURE



**TABLE 1A
APPROVED HEATER USAGE MATRIX**

	SH381-A	SH381DA	SH431-A	SH431DA	SH491-A	SH491DA	SH611-A	SH611DA	WA381-A	WA491-A	WA611-A	WH381-A	WH431-A	WH491-A	WH611-A
EHWA38-A05									X						
EHWA38-A08									X	X					
EHWA38-A10									X	X					
EHWA49-A05										X					
EHWA61-A05											X				
EHWA61-A08											X				
EHWA61-A10											X				
EHWH38-A05	X											X			
EHWH38DA10		X													
EHWH49-A05			X		X								X	X	
EHWH49-A08B	X		X		X							X	X	X	
EHWH49-A10B	X		X		X							X	X	X	
EHWH49DA10				X		X									
EHWH61-A05							X								X
EHWH61-A08B							X								X
EHWH61-A10B							X								X
EHWH61-A20							X								X
EHWH61DA10								X							

**TABLE 1B
APPROVED HEATER USAGE MATRIX**

	SH381-B	SH381DB	SH431-B	SH431DB	SH491-B	SH491DB	SH611-B	SH611DB	WA381-B	WA491-B	WA611-B	WH381-B	WH431-B	WH491-B	WH611-B
EHWA38-B06									X						
EHWA38-B09									X	X					
EHWA49-B06										X					
EHWA61-B09											X				
EHWH38-B06	X											X			
EHWH38-B09	X											X			
EHWH38BD06		X													
EHWH38BD09		X													
EHWH49-B06			X		X								X	X	
EHWH49-B09			X		X	X							X	X	X
EHWH49DB09				X		X									
EHWH61DB09								X							

**TABLE 1C
APPROVED HEATER USAGE MATRIX**

	SH381DC	SH431DC	SH491DC	WH611DC	WA381-C	WA491-C	WH381-C	WH431-C	WH491-C	WA611-C
EHWA38-C06					X	X				
EHWH38DC09	X									
EHWH49-C06							X	X	X	
EHWH49-C09							X	X	X	
EHWH49DC09		X	X							
EHWH61-C09										X
EHWH61DC09				X						

 **WARNING**

Only use factory provided heaters in approved combinations of heater models to unit models as shown in these tables. Failure to use approved combinations as shown or modification to heaters, could result in fire causing damage, bodily injury or death.

IMPORTANT

The equipment covered in this manual is to be installed by trained, experienced service and installation technicians.

SHIPPING DAMAGE

Upon receipt of equipment, the carton should be checked for external signs of shipping damage. If damage is found the receiving party must contact the last carrier immediately, preferably in writing, requesting inspection by the carrier's agent.

UNPACKING THE ELECTRIC HEAT PACKAGE

Remove the heat package from the shipping carton. The heat package must consist of the following:

1. Basic heater
2. Electric heat control base and wiring
3. Installation instructions
4. Wiring diagram (2); one to be applied to unit
5. Adhesive label to remark serial plate to indicate new model number. This is attached to the front of these instructions.

WIRING MAIN POWER

1. On all installations, size unit power supply wiring for the minimum circuit ampacity requirement for the unit and heater package combination listed on the unit serial plate.

For existing installations, addition or upgrading of a heater package may require that larger supply wires be run to the unit. Resize all power supply wires for the minimum circuit ampacity rating listed on the unit serial plate that is applicable for your combination of unit and heater package.

WARNING

Install properly sized power supply leads for the unit/heater combination minimum circuit ampacity as listed on the unit serial plate. Hazard of fire. Failure to install properly sized conductors could result in fire, injury or death.

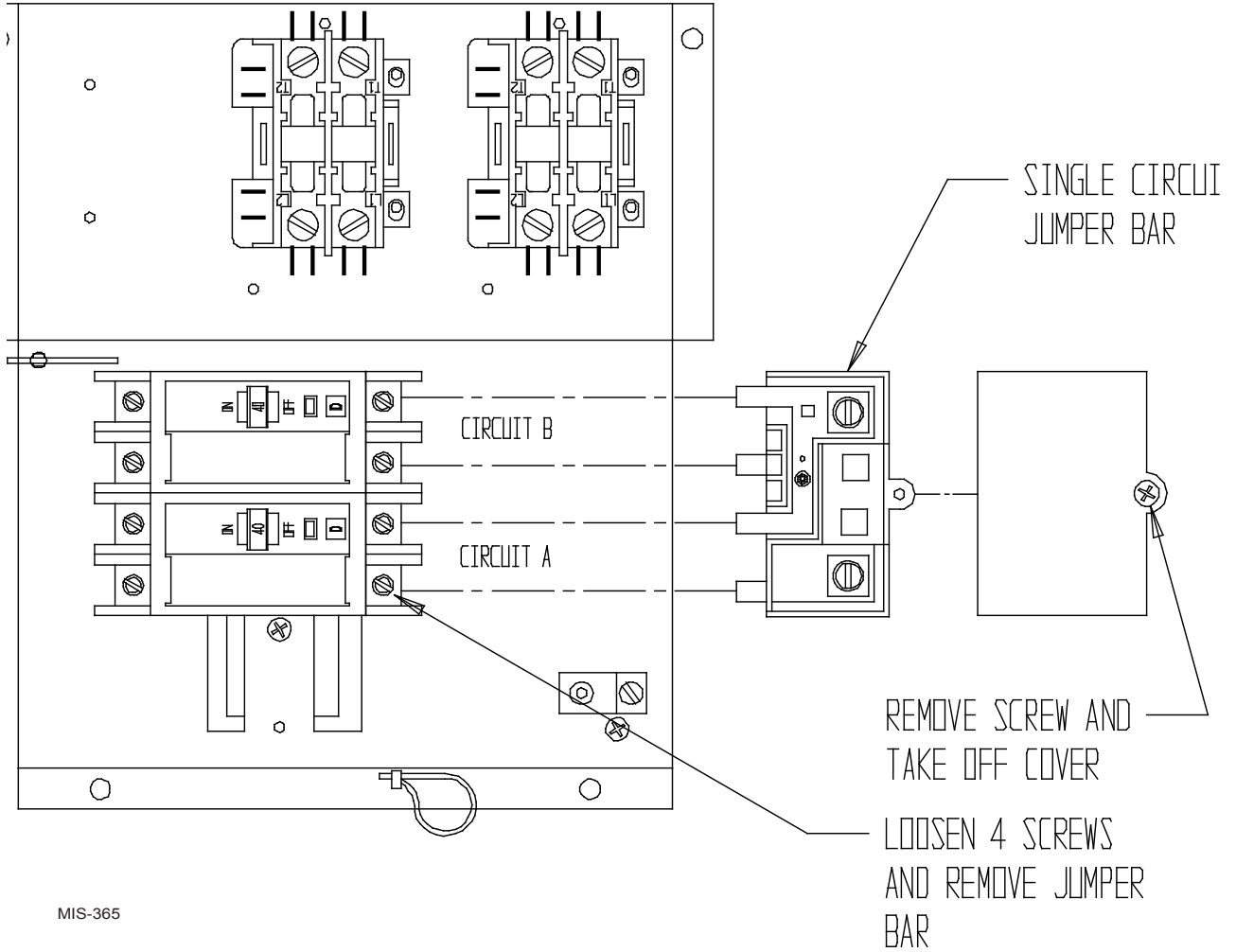
2. All heater packages covered by this manual are factory wired for a single supply circuit. The following heater packages are field convertible to a dual supply circuit if required or desired:

EHWH38-A05	EHWH38DA10
EHWH49-A05	EHWH49DA10
EHWH49-A08B	EHWH61DA10B
EHWH49-A10B	

3. To convert the above heater packages to dual circuit configuration before installation, loosen four (4) screws holding jumper bar in place. Remove jumper bar. Circuit A + B are now identified on the heater package. See Figure 1.

Wire should be sized to the minimum circuit ampacity as specified on the serial plates of units that accept these heater packages for circuits A + B.

FIGURE 1
CONVERTING HEATER PACKAGES TO DUAL CIRCUIT
(MODELS LISTED ABOVE)



**TABLE 2
ELECTRICAL DATA AND BTU OUTPUT**

Heater Package Model	Volts	Phase	Nominal KW	Nominal BTU
EHWH38-A05 EHWA38-A05	240/208	1	5/3.75	17,065/12,800
EHWA38-A08	240/208	1	8/6	27,300/20,500
EHWH38DA10 EHWA38-A10	240/208	1	10/7.5	34,130/25,600
EHWH38-B06 EHWH38DB06 EHWA38-B06	240/208	3	6/4.5	20,480/15,360
EHWH38-B09 EHWH38DB09 EHWA38-B09	240/208	3	9/6.75	30,600/23,030
EHWA38-C06	480	3	6	20,480
EHWH38DC09	480	3	9	30,700
EHWH49-A05 EHWA49-A05	240/208	1	5/3.75	17,065/12,800
EHWH49-A08B	240/208	1	8/6	27,300/20,500
EHWH49-A10B EHWH49DA10	240/208	1	10/7.5	34,130/25,600
EHWH49-B06 EHWA49-B06	240/208	3	6/4.5	20,480/15,360
EHWH49-B09 EHWH49DB09	240/208	3	9/6.75	30,600/23,030
EHWH49-C06	480	3	6	20,480
EHWH49-C09 EHWH49DC09	480	3	9	30,700
EHWH61-A05 EHWA61-A05	240/208	1	5/3.75	17,065/12,800
EHWH61-A08B EHWA61-A08	240/208	1	8/6	27,300/20,500
EHWH61-A10B EHWH61DA10B EHWA61-A10	240/208	1	10/7.5	34,130/25,600
EHWH61-A20	240/208	1	20/15	68,260/51,195
EHWH61DB09 EHWA61-B09	240/208	3	9/6.75	30,600/23,030
EHWH61DC09 EHWA61-C09	480	3	9	30,700

INSTALLATION

1. Disconnect all power to unit before installation.

WARNING

Disconnect all power to unit before installing heater package. Hazard of electrical shock. Failure to disconnect power could result in injury or death.

2. Before installation, check unit serial plate to insure that the heater package model that you intend to install is listed as a heater package suitable for use with the unit.

Under no circumstances shall a heater package be installed in a unit if the model number of the heater package does not appear on the unit serial plate.

WARNING

Install only heater packages listed on unit serial plate. Hazard of fire or electrical shock. Failure to install listed heater package could result in fire, injury or death.

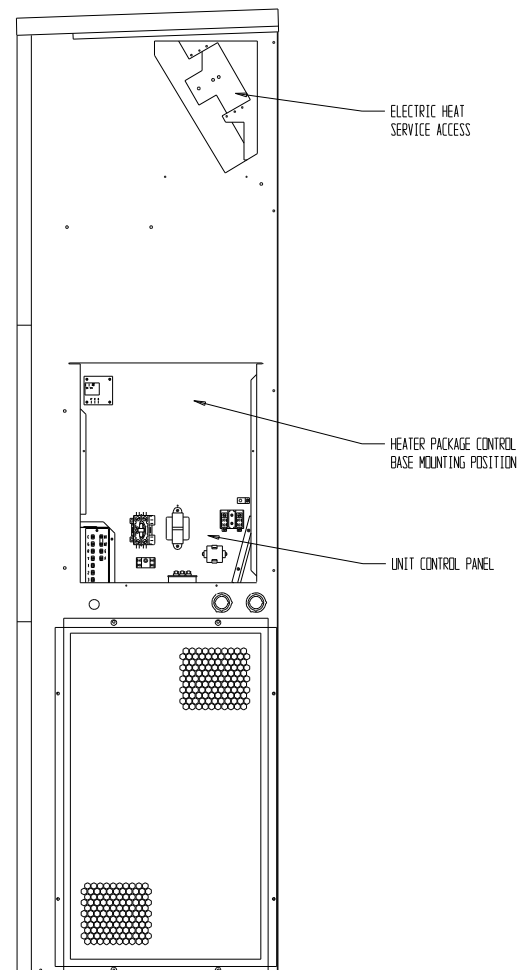
3. Remove electric heater access panel and control panel cover, both inner and outer. See Figure 2.
4. All heaters are installed with the thermal cutoffs positioned to the top of the unit. Install heat strip(s) through heater access opening. Position heat strip support rod in heater support hole 1, 2, or 3, as indicated in Table 3 and Figure 3. Secure in place with two (2) sheet metal screws in mounting holes as indicated in Table 3 and Figure 3.

On heater packages with 2 heat strips, install 9KW or 10 KW heater first in position closest to the outlet air frame. See Figure 4B and 4C.

5. Install heater control base into top of control panel as shown in Figure 5. Secure with four (4) sheet metal screws provided.
6. Plug male 6 pin connector into mating connector mounted in control panel. See Figure 5.

7. Connect red compressor supply lead to L1 of terminal block. Connect black compressor supply lead to L2 of terminal block. If 3 phase, connect yellow supply lead to L3 of terminal block. See Figure 5 and wiring diagram.
8. Route wires from heater control base up through raceway in top right corner of control panel to the heaters. See Figure 5.
9. Wire heater package per wiring diagram supplied with this heater package. All wires are stamped with wire numbers that correspond with terminal numbers on the wiring diagram and stamped numbers on the heat strip. Limit switch wires are terminated with insulated quick connect terminals. See Figure 4.

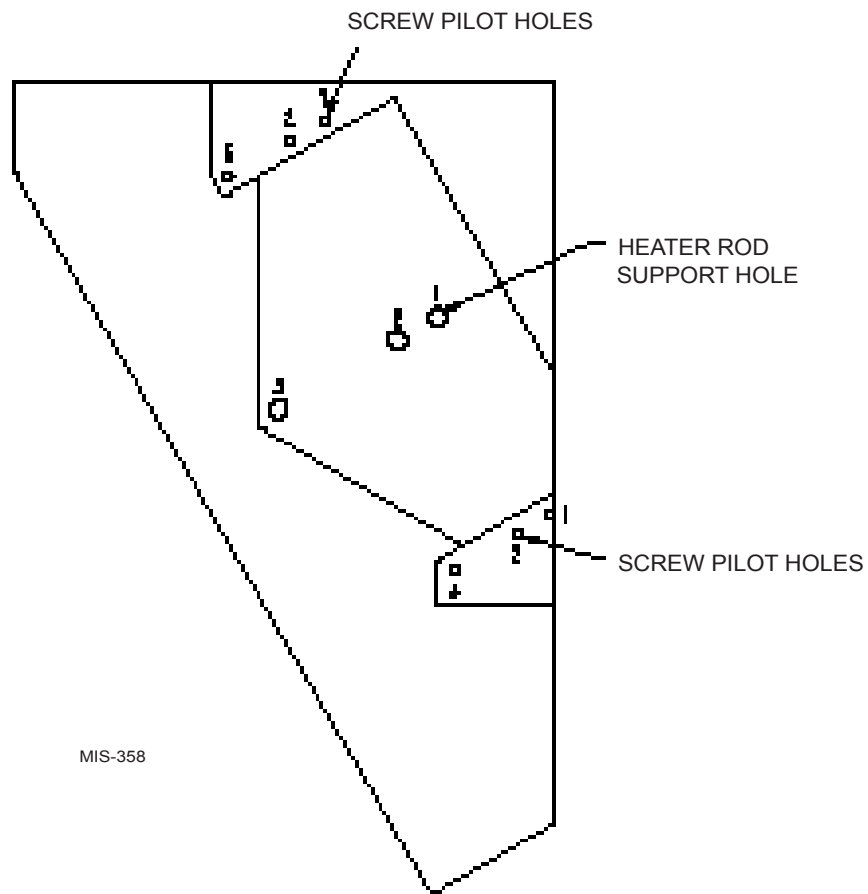
FIGURE 2
REMOVE COVER AND PANEL



MIS-419

10. Attach adhesive wiring diagram directly above unit wiring diagram on inner control panel cover.
11. Recheck all wiring. Break out appropriate circuit breaker tabs on inner control panel cover to allow trip lever to protrude. Replace control panel and heater access panels.
12. Resupply power to the unit and check for proper operation.
13. Remark serial plate with self-adhesive label attached to the front of this manual. See Figure 6.

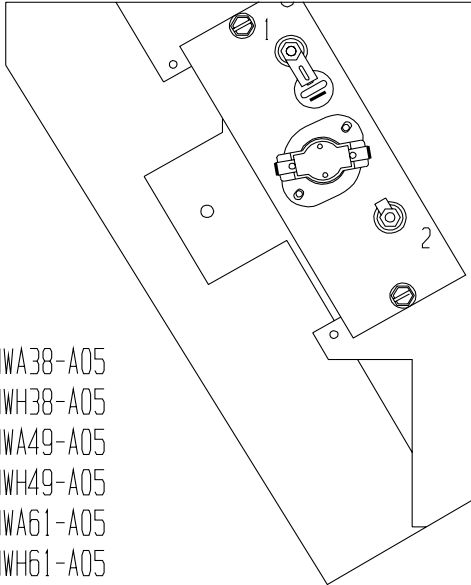
**FIGURE 3
HOLES FOR HEATER ROD SUPPORT AND MOUNTING**



**TABLE 3
DRAWING NUMBER AND ROD SUPPORT SCREW MOUNTING
POSITION FOR HEATER PACKAGES**

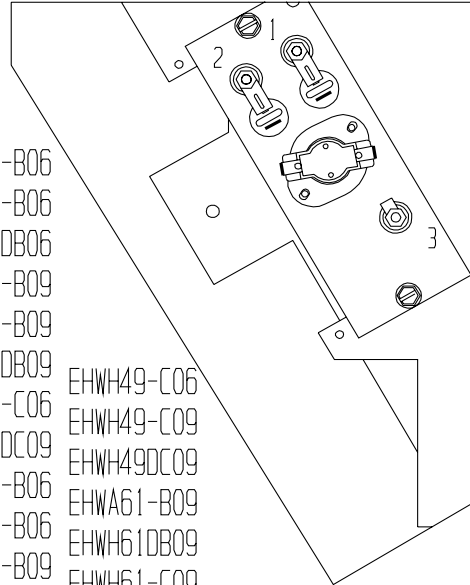
Heater Package Model Number	Figure 4 Heater Terminal Identification Drawing	Figure 3 Rod Support and Screw Mounting Position
EHWH38-A05	4A	1
EHWH38-B06	4B	1
EHWH38-B09	4B	1
EHWA49-A05	4A	1
EHWH49-A08B	4C	1
EHWH49-A10B	4C	1
EHWH49-B06	4B	1
EHWH49-B09	4B	1
EHWH49-C06	4B	1
EHWH49-C09	4B	1
EHWH61-A05	4A	1
EHWH61-A08B	4C	1
EHWH61-A10B	4C	1
EHWH61-A20	4D	1 + 3
EHWH61-C09	4B	1
EHWA38-A05	4A	1
EHWA38-A08	4C	1
EHWA38-A10	4C	1
EHWA38-B06	4B	1
EHWA38-B09	4B	1
EHWA38-C06	4B	1
EHWA49-A05	4A	1
EHWA49-B06	4B	1
EHWA61-A05	4A	1
EHWA61-A08	4C	1
EHWA61-A10	4C	1
EHWA61-B06	4B	1
EHWH38DA10	4C	1
EHWH38DB06	4B	1
EHWH38DB09	4B	1
EHWH38DC09	4B	1
EHWH49DA10	4C	1
EHWH49DB09	4B	1
EHWH49DC09	4B	1
EHWH61DA10B	4C	1
EHWH61DB09	4B	1
EHWH61DC09	4B	1

FIGURE 4A



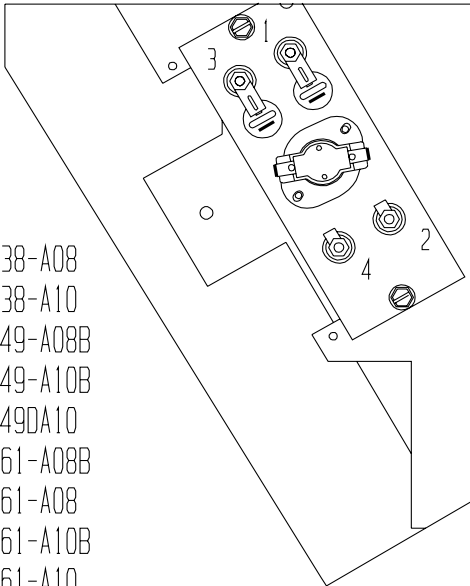
EHWA38-A05
 EHHH38-A05
 EHWA49-A05
 EHHH49-A05
 EHWA61-A05
 EHHH61-A05

FIGURE 4B



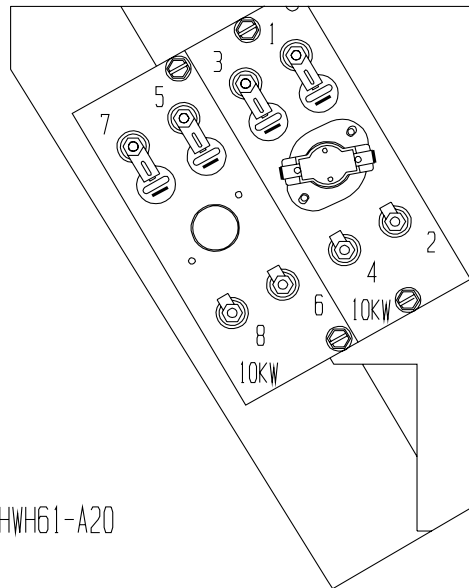
EHWA38-B06
 EHHH38-B06
 EHHH38DB06
 EHWA38-B09
 EHHH38-B09
 EHHH38DB09
 EHHH38-C06
 EHHH38-C09
 EHHH38DC09
 EHWA49-B06
 EHHH49-B06
 EHHH49-B09
 EHHH49DB09
 EHHH49-C06
 EHHH49-C09
 EHHH49DC09
 EHWA61-B09
 EHHH61DB09
 EHHH61-C09
 EHHH61DC09

FIGURE 4C



EHWA38-A08
 EHWA38-A10
 EHHH49-A08B
 EHHH49-A10B
 EHHH49DA10
 EHWA61-A08B
 EHHH61-A08
 EHWA61-A10B
 EHHH61-A10
 EHHH61DA10B

FIGURE 4D

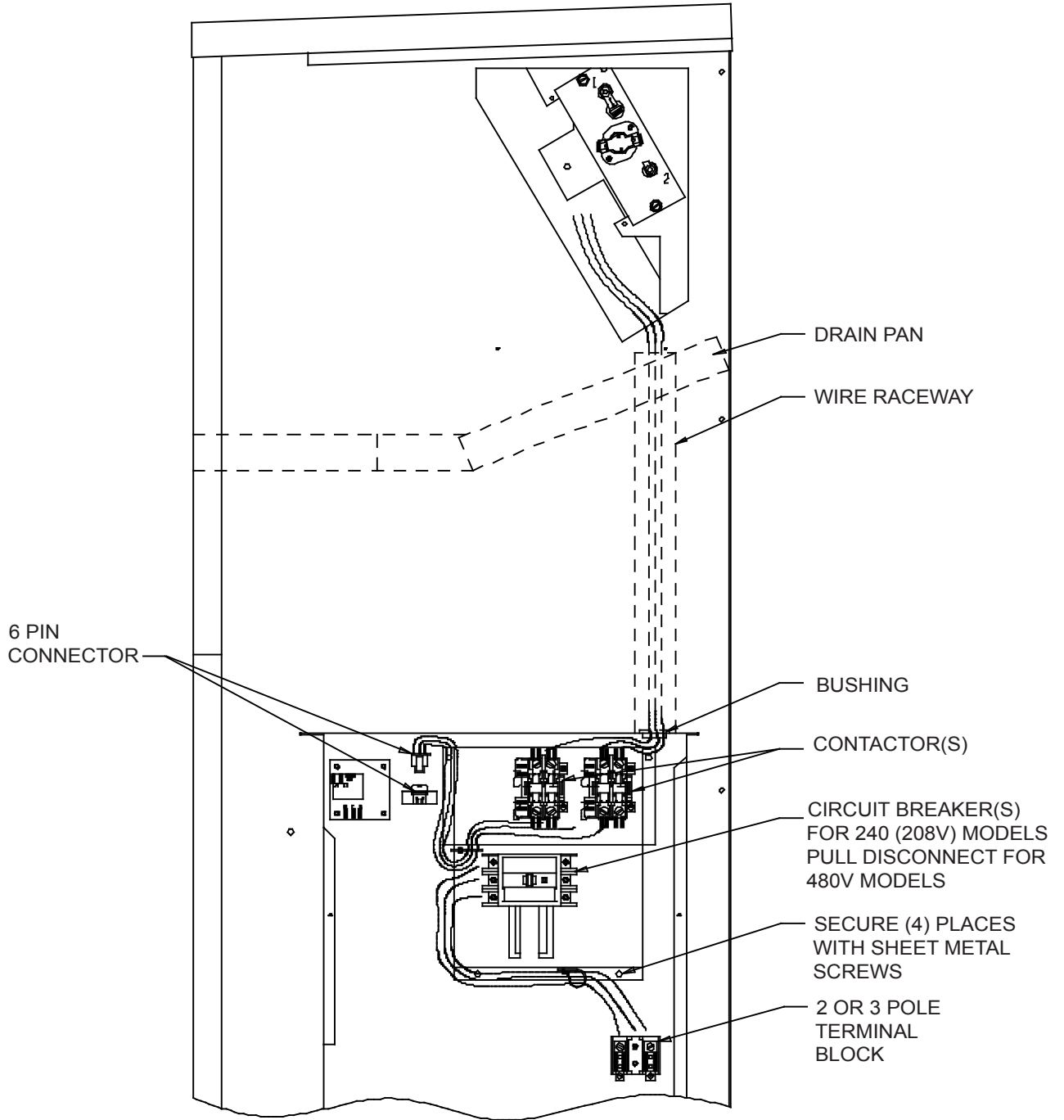


EHHH61-A20

NOTE: THERMAL CUTOFFS TO BE AT
 TOP OF AIR FRAME WHEN INSTALLING.

MIS-1361 A

**FIGURE 5
WIRE ROUTING**



MIS-422

**FIGURE 6
SERIAL PLATE**

INSTALL ONLY HEATER PACKAGES LISTED HERE.

BARD MANUFACTURING COMPANY, 1914 RANDOLPH DRIVE

<p>() WA361-A0012345 () WA361-A0512345 (X) WA361-A0812345 () WA361-A1012345 () WA361-A1512345</p>	<p>MODEL NONE EHWA03-A05 EHWA03-A08 EHWA03-A10 EHWA03-A15</p>	<p>VAC 230/208 230/208 230/208 230/208 230/208</p>	<p>HZ 60 60 60 60 60</p>	<p>APPROVED HEATER PACKAGE (1)</p>
---	--	---	---	--

BRANCH CIRCUIT SELECT CURRENT 17 OPERATION

SERIAL NUMBER 125H920711193-01 UL FILE NO.

SUITABLE FOR OUTDOOR USE

<p>COMPRESSOR OUTDOOR MOTOR INDOOR MOTOR</p>	<p>VAC 230/208 230/208</p>	<p>HZ 60 60 60</p>	<p>PH 1 1 1</p>	<p>--- ELECTRICAL HP 1/5 1/3 KW 5/3.75 8/6 10/7.5 15/11.25</p>
--	------------------------------------	--------------------------------	-----------------------------	---

HEATER PACKAGE
 EHWA03-A05
 EHWA03-A08
 EHWA03-A10
 EHWA03-A15

FACTORY CHARGED R22: 68 OZ. DESI
 --- FACTORY
 --- CLEAR

(X)	()	()	()	()	()
()	(X)	()	()	()	()
()	()	(X)	()	()	()
()	()	()	(X)	()	()
()	()	()	()	()	(X)

ASSURE THAT SERIAL PLATE IS CLEAN AND DRY, REMOVE APPROPRIATE LABEL STRIP FOR KW REQUIRED AND REMARK SERIAL PLATE AS SHOWN FOR THE HEATER PACKAGE THAT IS INSTALLED