

INSTALLATION INSTRUCTIONS

ELECTRIC HEAT PACKAGES

MODELS: EHWH38-A05
 EHWH38-B06
 EHWH38-B09
 EHWH49-A05
 EHWH49-A08
 EHWH49-A10
 EHWH49-B06
 EHWH49-B09
 EHWH49-C06
 EHWH49-C09

**For WH381, WH431 and WH491
Wall Mounted and Heat Pumps**



BARD MANUFACTURING COMPANY
Bryan, Ohio 43506
Since 1914...Moving, ahead just as planned.

Manual: 2100-352
Supersedes:
File: Volume III, Tab 18
Date: 03-04-99

CONTENTS

General Information	1
Description	1
Model Nomenclature	1
Important	3
Shipping Damage	3
Unpacking the Electric Heat Package	3
Wiring – Main Power	3
Installation Instructions	4
Installation	4

Figures

Figure 1	2
Figure 2	2
Figure 3	5
Figure 4A	6
Figure 4B	6
Figure 4C	6
Figure 5	7
Figure 6	8

Tables

Table 1	1
Table 2	5

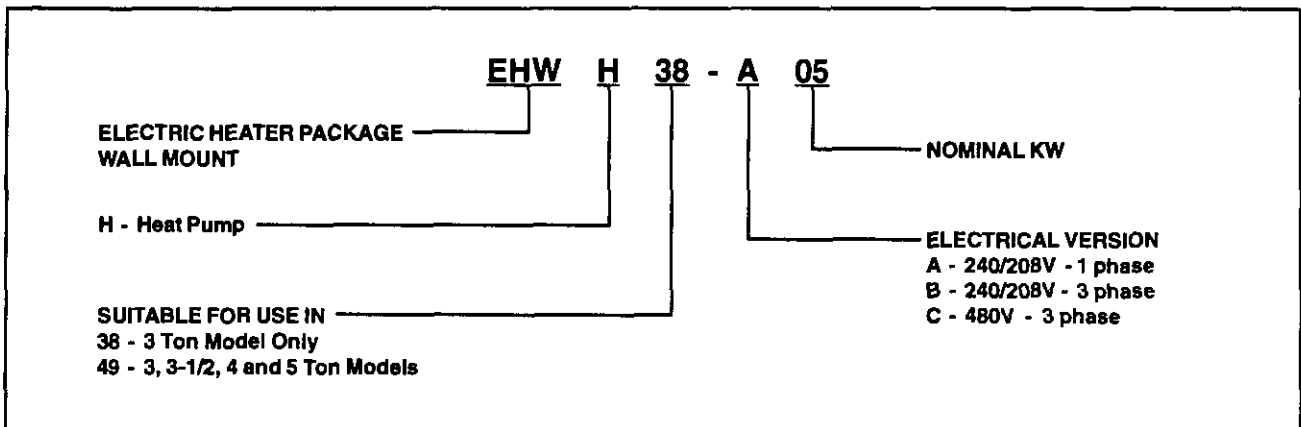
GENERAL INFORMATION

DESCRIPTION

The EHWH series electric heater packages are field installable heater packages suitable for use with Bard wall mount hi boy heat pumps. The packages consist of the electric heat strip, the heater control base which includes the heat contactors and circuit breaker or pull disconnects,

installation instructions and wiring diagrams. See Table 1 for nominal electrical data and BTU output. Before installation, check unit serial plate to insure the heater package model that you intend to install is listed as a heater package that is suitable for use with the Bard wall mount hi boy unit. See Figure 6.

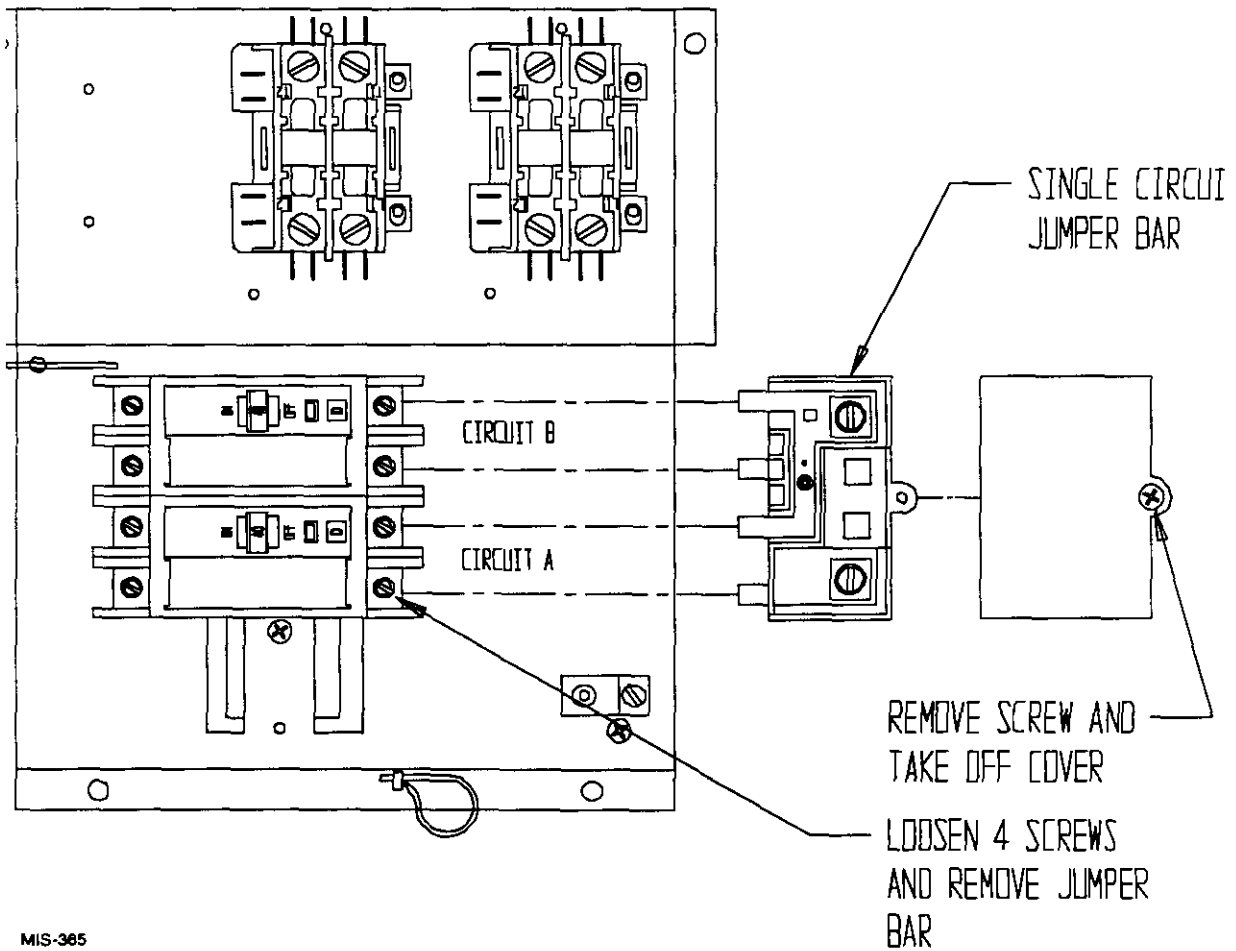
NOMENCLATURE



**TABLE 1
ELECTRICAL DATA AND BTU OUTPUT**

Heater Package Model	Volts	Phase	Nominal KW	Nominal BTU
EHWH38-A05	240/208	1	5 / 3.75	17,065 / 12,800
EHWH38-B06	240/208	3	6 / 4.5	20,480 / 15,360
EHWH38-B09	240/208	3	9 / 6.75	30,600 / 23,030
EHWH49-A05	240/208	1	5 / 3.75	17,065 / 12,800
EHWH49-A08	240/208	1	8 / 6	27,300 / 20,500
EHWH49-A10	240/208	1	10 / 7.5	34,130 / 25,600
EHWH49-B06	240/208	3	6 / 4.5	20,480 / 15,360
EHWH49-B09	240/208	3	9 / 6.75	30,600 / 23,030
EHWH49-C06	480	3	6.00	20,480
EHWH49-C09	480	3	9.00	30,700

FIGURE 1



MIS-365

IMPORTANT

The equipment covered in this manual is to be installed by trained, experienced service and installation technicians.

SHIPPING DAMAGE

Upon receipt of equipment, the carton should be checked for external signs of shipping damage. If damage is found the receiving party must contact the last carrier immediately, preferably in writing, requesting inspection by the carrier's agent.

UNPACKING THE ELECTRIC HEAT PACKAGE


Remove the heat package from the shipping carton. The heat package must consist of the following:

1. Basic heater
2. Electric heat control base and wiring
3. Installation instructions
4. Wiring diagram (2); one to be applied to unit
5. Adhesive label to remark serial plate to indicate new model number. This is attached to the front of these instructions.

WIRING MAIN POWER

1. On all installations, size unit power supply wiring for the minimum circuit ampacity requirement for the unit and heater package combination listed on the unit serial plate.

For existing installations, addition or upgrading of a heater package may require that larger supply wires be run to the unit. Resize all power supply wires for the minimum circuit ampacity rating listed on the unit serial plate that is applicable for your combination of unit and heater package.

 WARNING
Install properly sized power supply leads for the unit/heater combination minimum circuit ampacity as listed on the unit serial plate. Hazard of fire. Failure to install properly sized conductors could result in fire, injury or death.

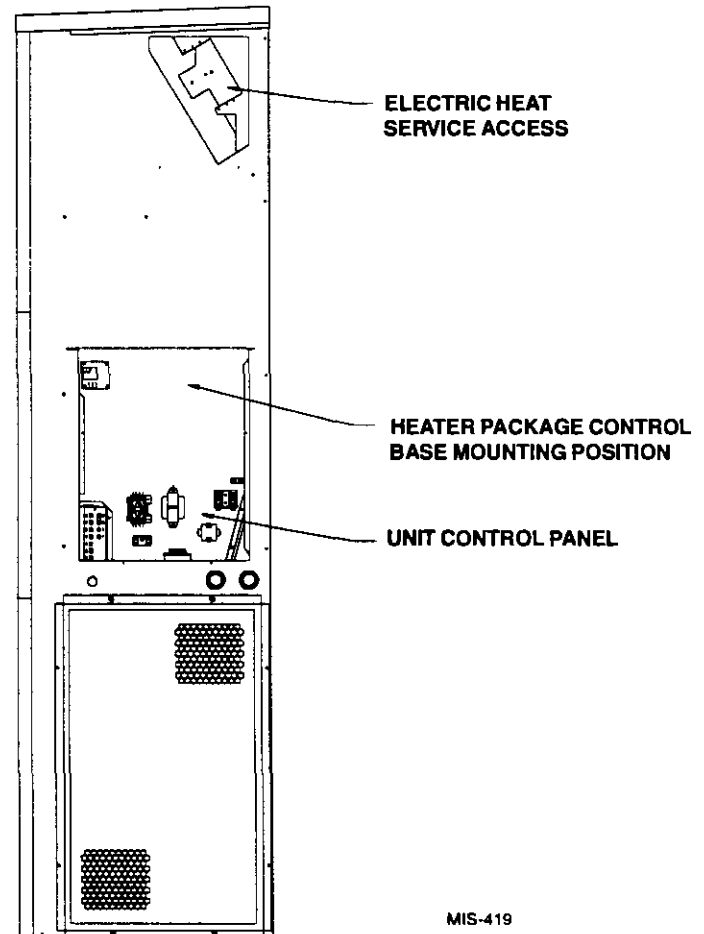
2. All heater packages covered by this manual are factory wired for a single supply circuit. The following heater packages are field convertible to a dual supply circuit if required or desired:

EHWH38-A05
EHWH49-A05
EHWH49-A08
EHWH49-A10

3. To convert the above heater packages to dual circuit configuration before installation, loosen four (4) screws holding jumper bar in place. Remove jumper bar. Circuit A + B are now identified on the heater package. See Figure 1.

Wire should be sized to the minimum circuit ampacity as specified on the serial plates of units that accept these heater packages for circuits A + B.

FIGURE 2



MIS-419

INSTALLATION

INSTALLATION

1. Disconnect all power to unit before installation.



WARNING

Disconnect all power to unit before installing heater package. Hazard of electrical shock. Failure to disconnect power could result in injury or death.

2. Before installation, check unit serial plate to insure that the heater package model that you intend to install is listed as a heater package suitable for use with the unit.

Under no circumstances shall a heater package be installed in a unit if the model number of the heater package does not appear on the unit serial plate.



WARNING

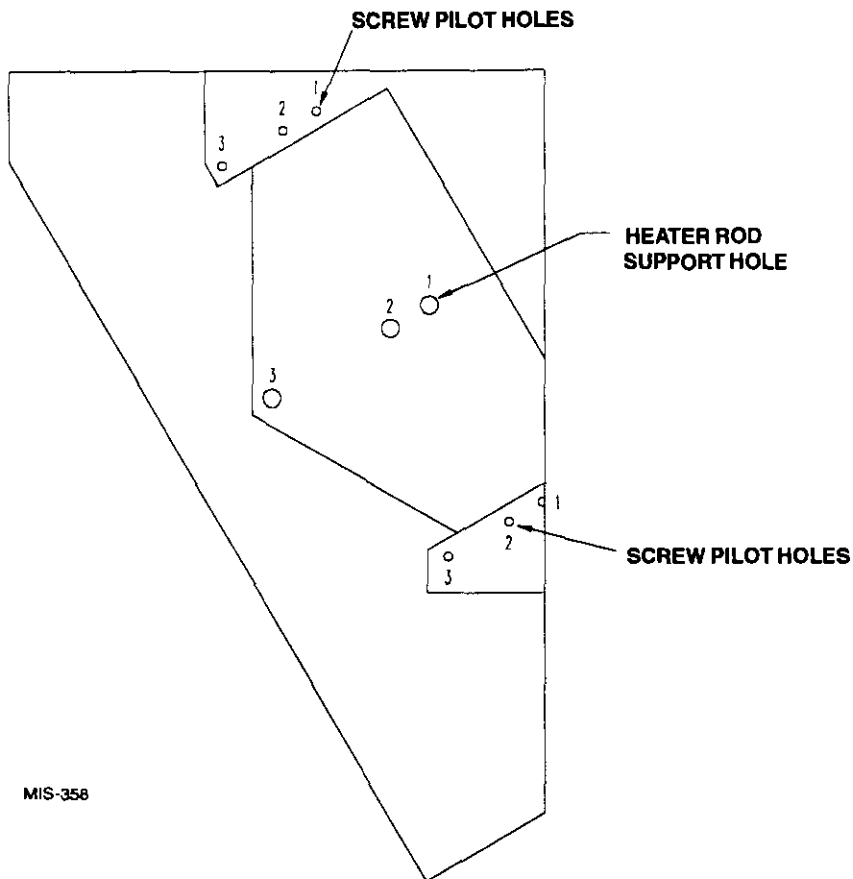
Install only heater packages listed on unit serial plate. Hazard of fire or electrical shock. Failure to install listed heater package could result in fire, injury or death.

3. Remove electric heater access panel and control panel cover, both inner and outer. See Figure 2.
4. All heaters are installed with the thermal cutoffs positioned to the top of the unit. Install heat strip(s) through heater access opening. Position heat strip support rod in heater support hole 1, 2, or 3, as indicated in Table 2 and Figure 3. Secure in place with two (2) sheet metal screws in mounting holes as indicated in Table 2 and Figure 3.

On heater packages with 2 heat strips, install 9KW or 10 KW heater first in position closest to the outlet air frame. See Figure 4B and 4C.

5. Install heater control base into top of control panel as shown in Figure 5. Secure with four (4) sheet metal screws provided.
6. Plug male 6 pin connector into mating connector mounted in control panel. See Figure 5.
7. Connect red compressor supply lead to L1 of terminal block. Connect black compressor supply lead to L2 of terminal block. If 3 phase, connect yellow supply lead to L3 of terminal block. See Figure 5 and wiring diagram.
8. Route wires from heater control base up through raceway in top right corner of control panel to the heaters. See Figure 5.
9. Wire heater package per wiring diagram supplied with this heater package. All wires are stamped with wire numbers that correspond with terminal numbers on the wiring diagram and stamped numbers on the heat strip. Limit switch wires are terminated with insulated quick connect terminals. See Figure 4.
10. Attach adhesive wiring diagram directly above unit wiring diagram on inner control panel cover.
11. Recheck all wiring. Break out appropriate circuit breaker tabs on inner control panel cover to allow trip lever to protrude. Replace control panel and heater access panels.
12. Resupply power to the unit and check for proper operation.
13. Remark serial plate with self-adhesive label attached to the front of this manual. See Figure 6.

FIGURE 3



MIS-358

TABLE 2

Heater Package Model Number	Figure 4 Heater Terminal Identification Drawing	Figure 3 Rod Support and Screw Mounting Position
EHWH38-A05	4A	1
EHWH38-B06	4B	1
EHWH38-B09	4B	1
EHWH49-A05	4A	1
EHWH49-A08	4C	1
EHWH49-A10	4C	1
EHWH49-B06	4B	1
EHWH49-B09	4B	1
EHWH49-C06	4B	1
EHWH49-C09	4B	1

FIGURE 4A

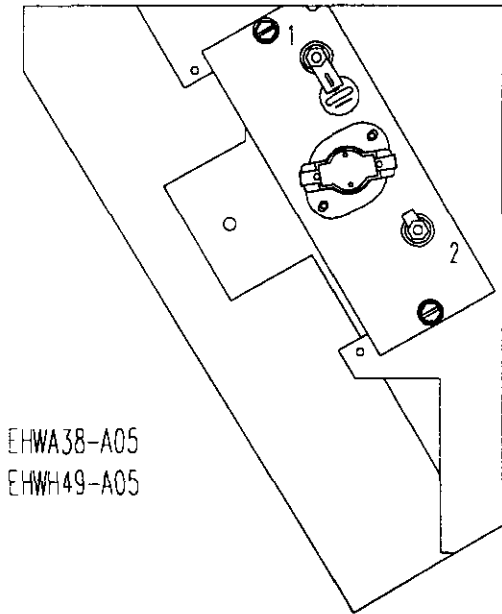


FIGURE 4B

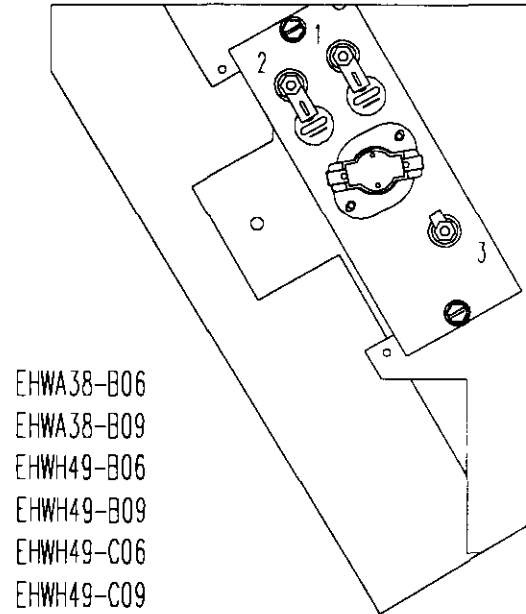
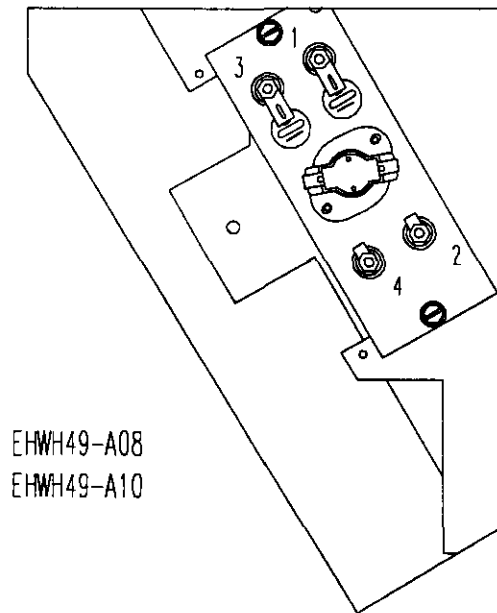


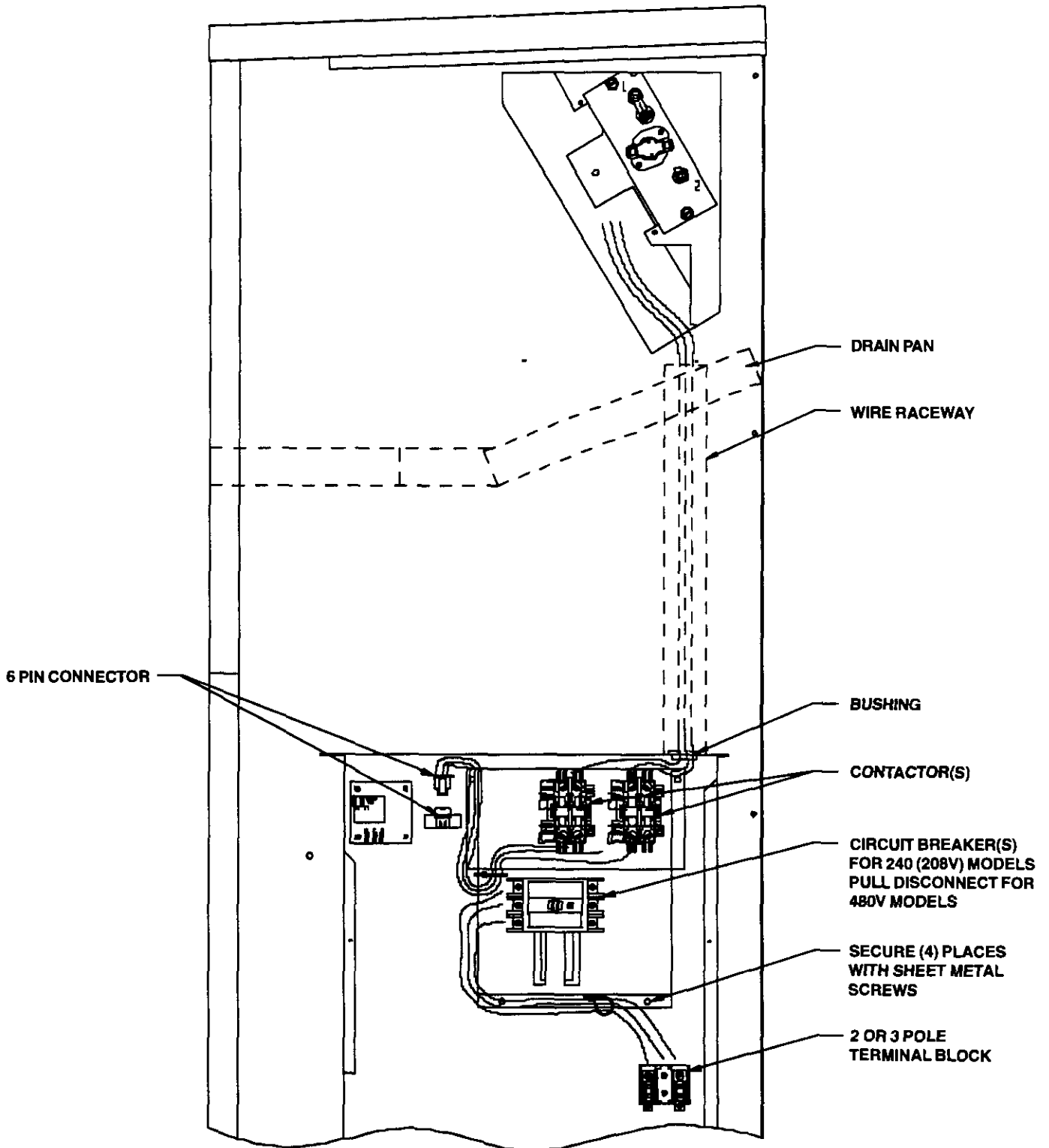
FIGURE 4C



NOTE: THERMAL CUTOFFS TO BE AT
TOP OF AIR FRAME WHEN INSTALLING.

MIS-1361

FIGURE 5



MIS-422

FIGURE 6

INSTALL ONLY HEATER PACKAGES LISTED HERE.

BARD MANUFACTURING COMPANY, 1914 RANDOLPH DRIV

MODEL	(1) APPROVED HEATER PACKAGE	VAC	HZ
WA361-A0012345	NONE	230/208	60
WA361-A0512345	EHWA03-A05	230/208	60
WA361-A0812345	EHWA03-A08	230/208	60
WA361-A1012345	EHWA03-A10	230/208	60
WA361-A1512345	EHWA03-A15	230/208	60

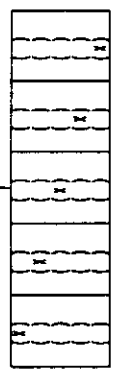
BRANCH CIRCUIT SELECT CURRENT 17 OPERATION

SERIAL NUMBER 125H920711193-01 UL FILE NO.

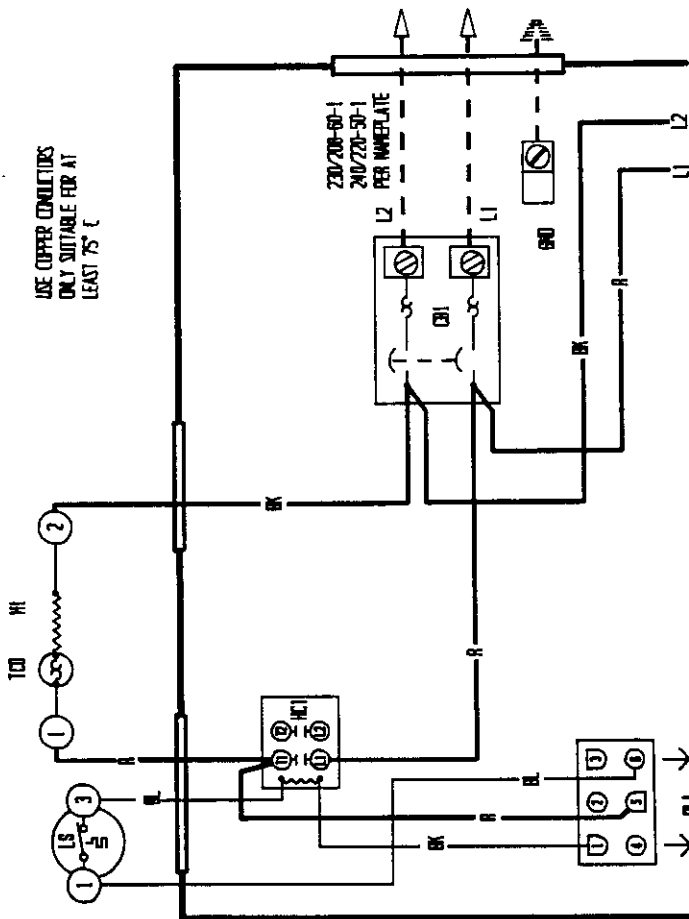
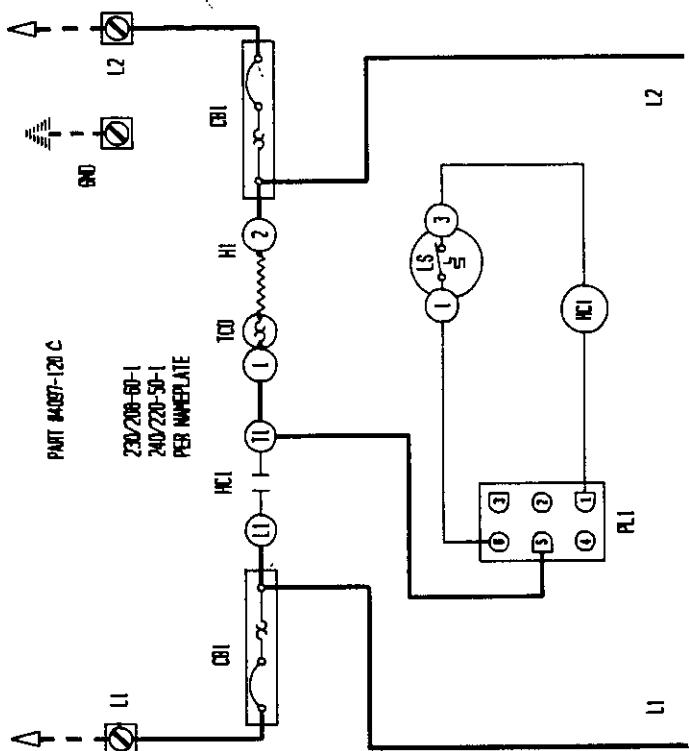
SUITABLE FOR OUTDOOR USE

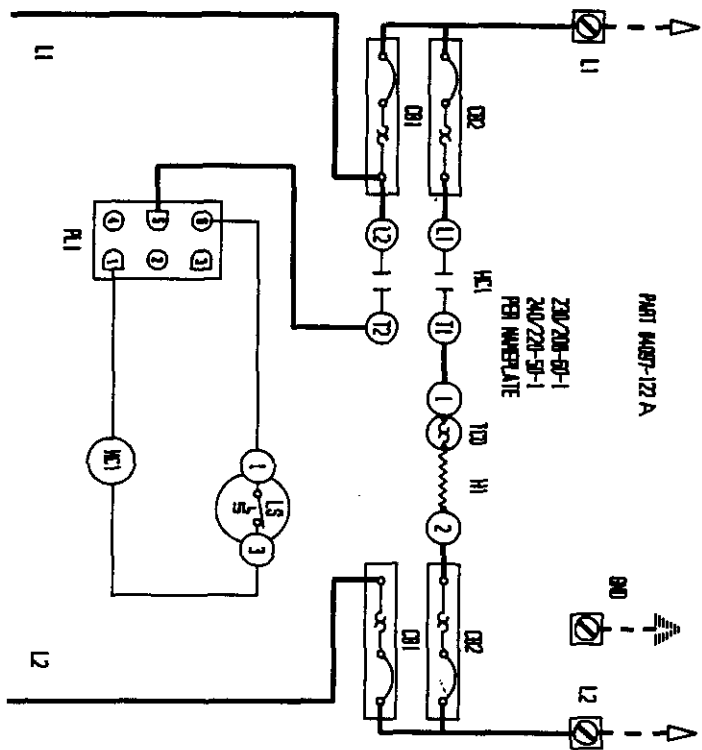
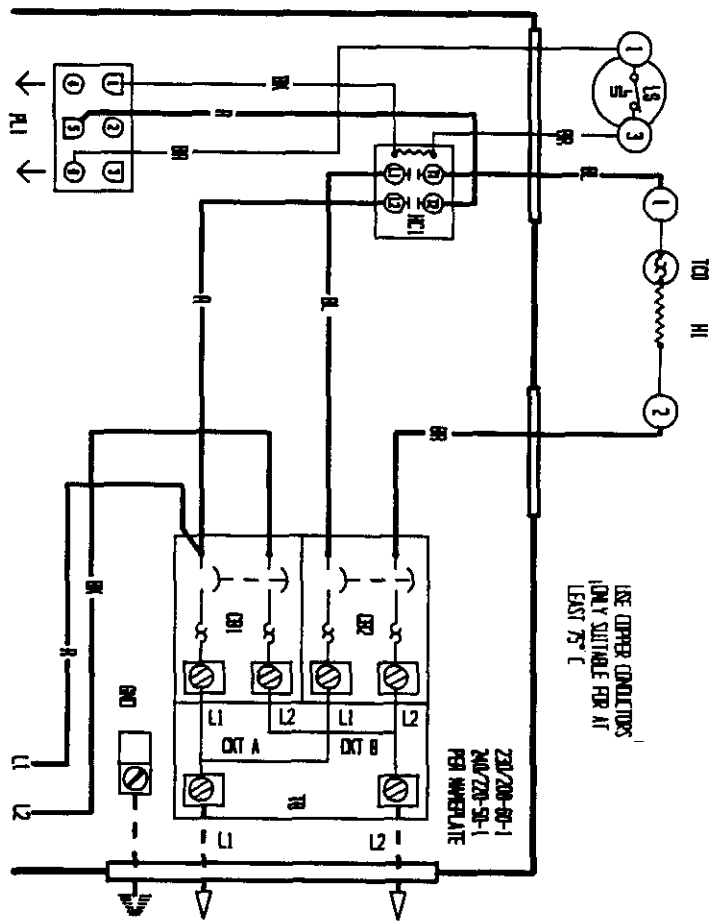
	VAC	HZ	PH	ELECTRICAL HP
COMPRESSOR	230/208	60	1	
OUTDOOR MOTOR	230/208	60	1	1/5
INDOOR MOTOR	230/208	60	1	1/3
HEATER PACKAGE				KW
EHWA03-A05	240/208	60	1	5/3.75
EHWA03-A08	240/208	60	1	8/6
EHWA03-A10	240/208	60	1	10/7.5
EHWA03-A15	240/208	60	1	15/11.25

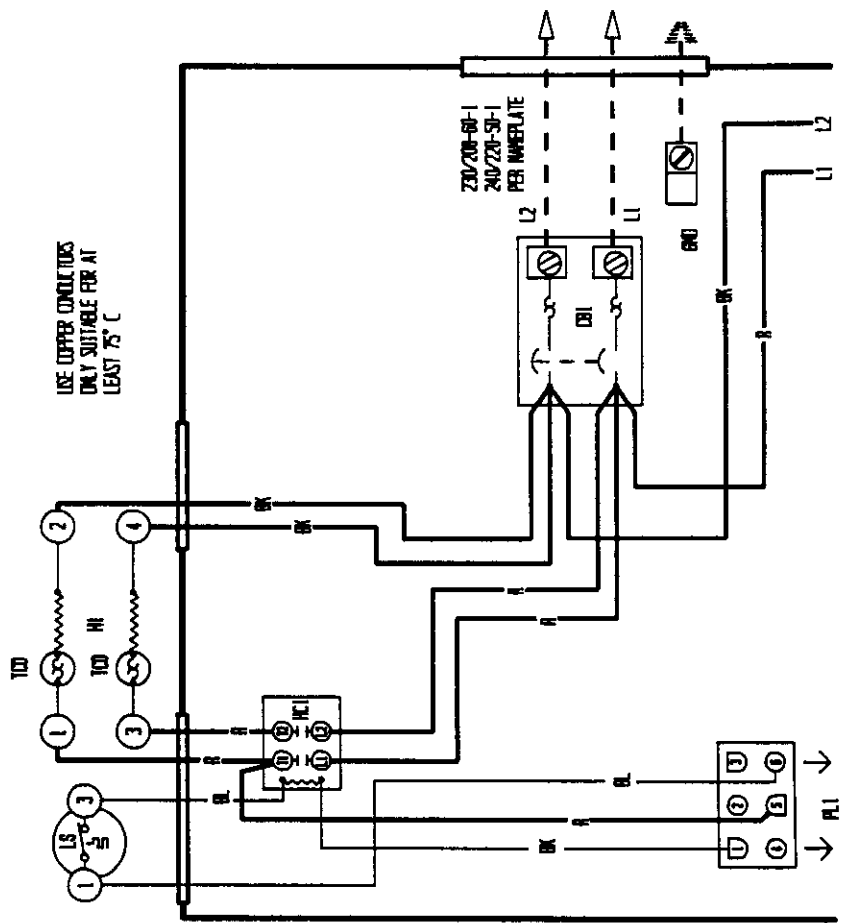
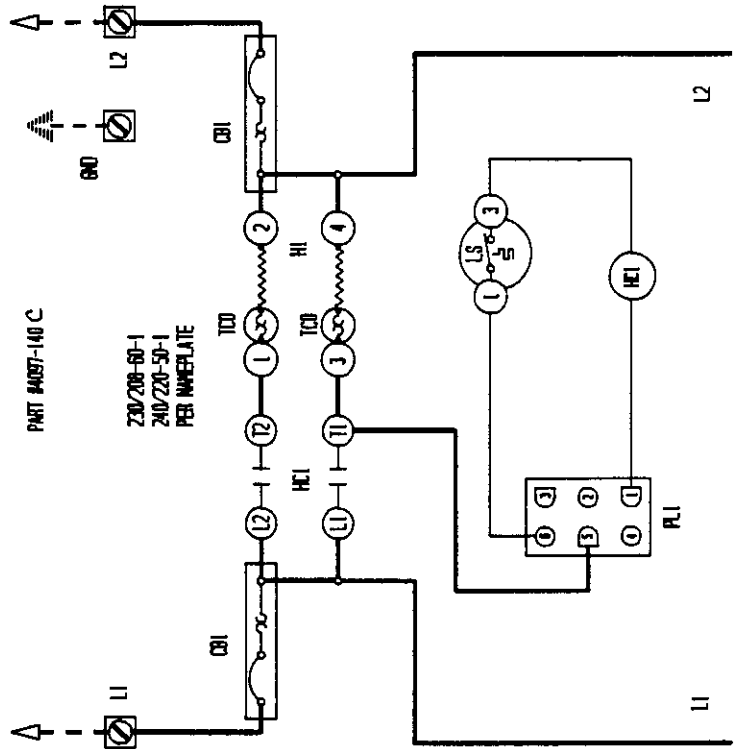
FACTORY CHARGED R22: 68 OZ. DESI
--- CLEAR

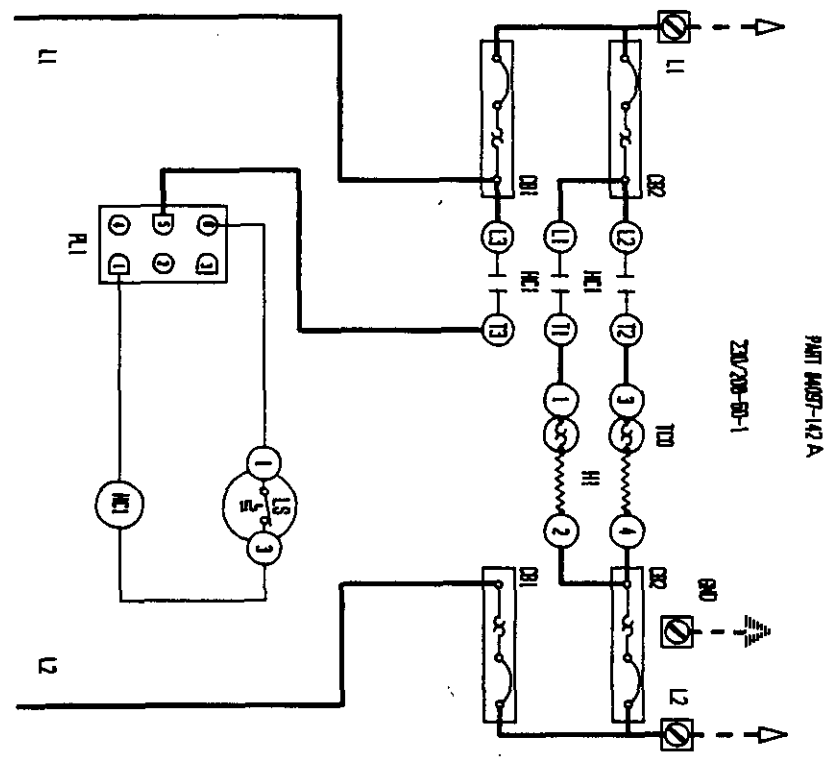
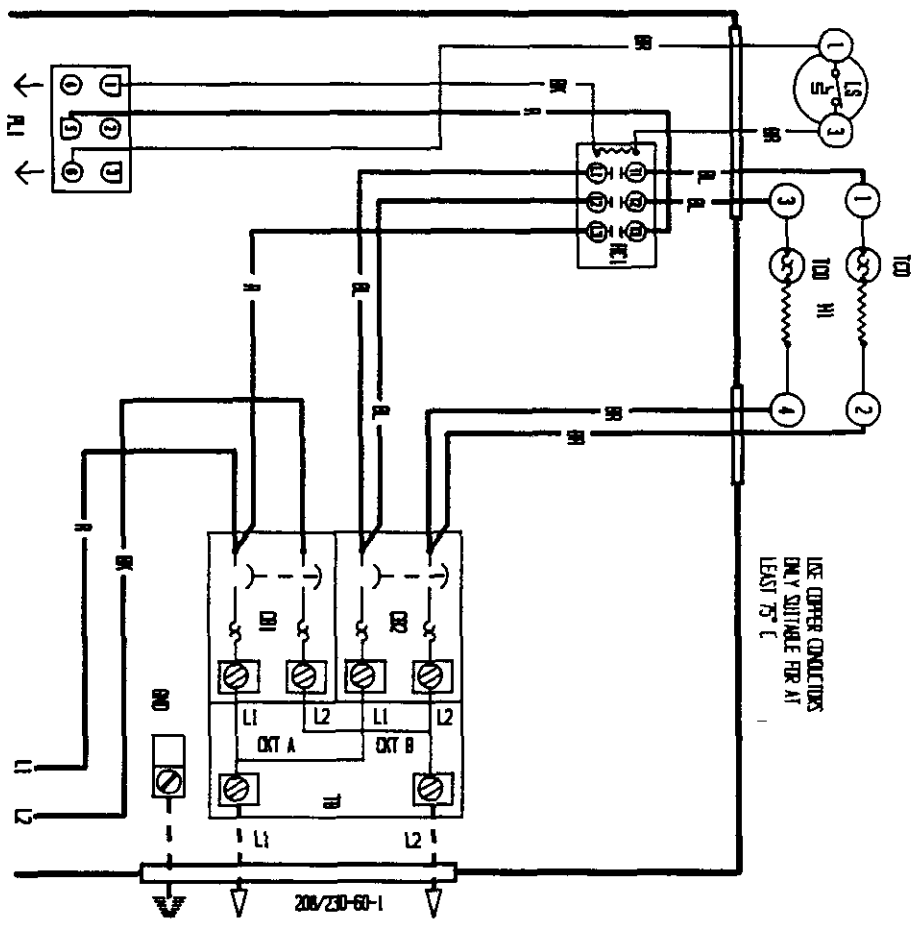


ASSURE THAT SERIAL PLATE IS CLEAN AND DRY.
REMOVE APPROPRIATE LABEL STRIP FOR KW REQUIRED AND REMARK SERIAL PLATE AS SHOWN FOR THE HEATER PACKAGE THAT IS INSTALLED



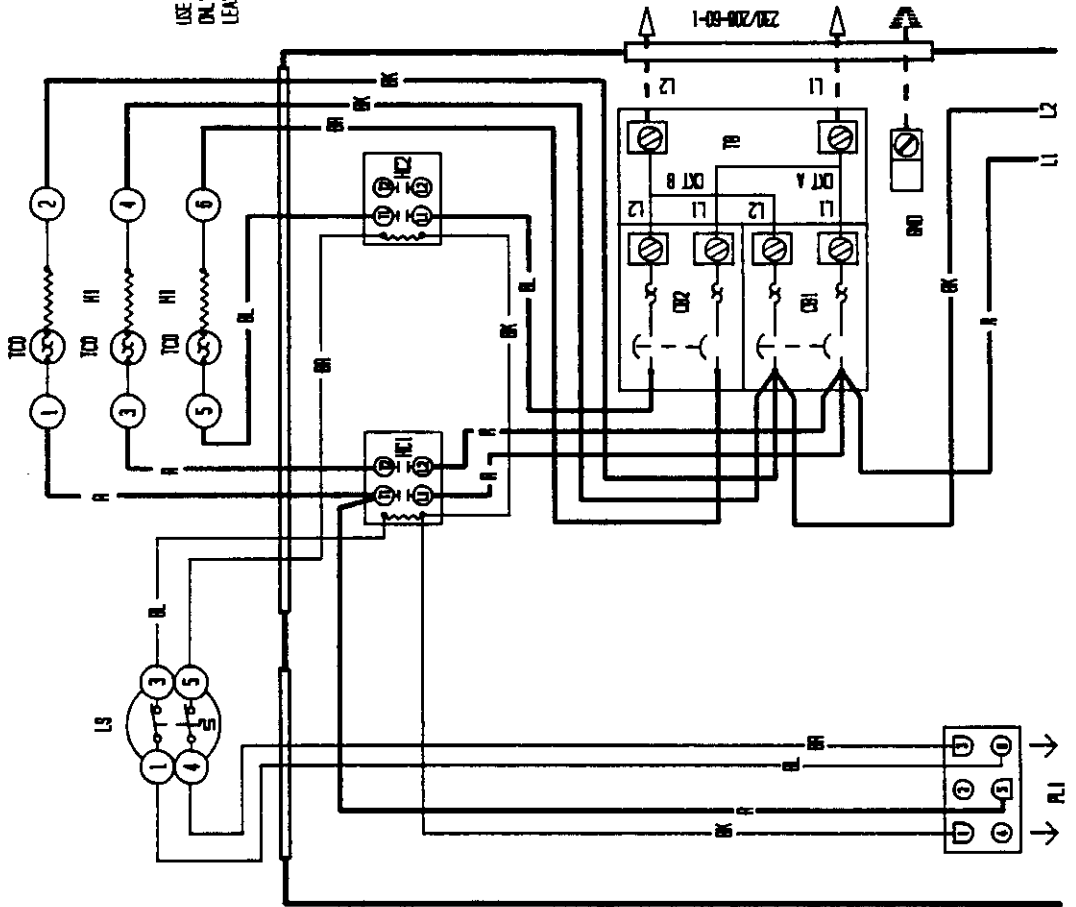
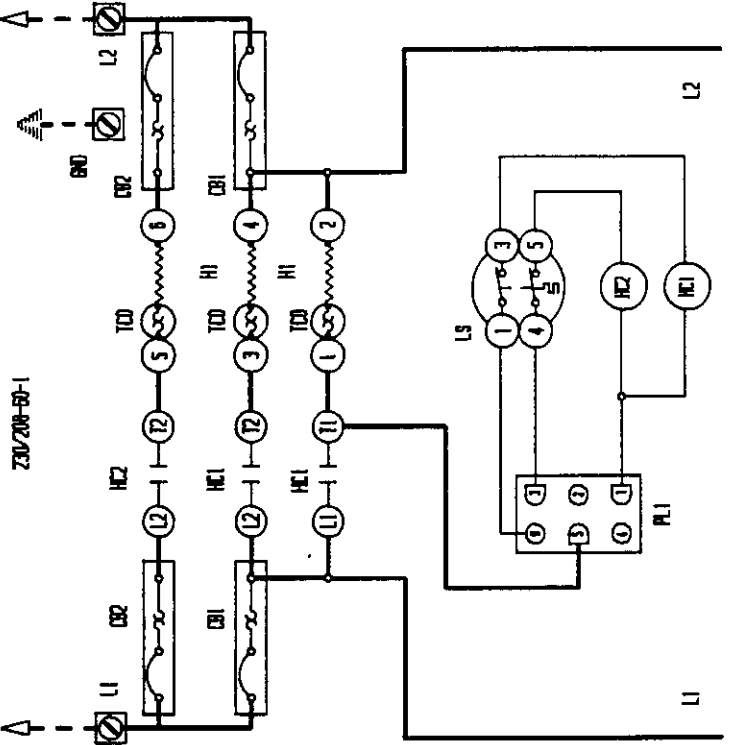






USE COPPER CONDUCTORS
ONLY SUITABLE FOR AT
LEAST 75 °C

PART 84087-150 B



Z30/208-80-1

