
INSTALLATION INSTRUCTIONS

WALL MOUNTED PACKAGE HEAT PUMPS

**MODELS:
WH421D
WH482D
WH602D**



Bard Manufacturing Company
Bryan, Ohio 43506

*Since 1914...Moving ahead, just
as planned.*

Manual : 2100-355B
Supersedes: 2100-355A
File: Volume III Tab 17
Date: 10-23-00

Contents

Getting Other Informations and Publications

For more information, contact these publishers: 1

Wall Mount General Information

Heat Pump Wall Mount Model Nomenclature	2
Shipping Damage	5
General	5
Duct Work	5
Filters	5
Fresh Air Intake	6
Condensate Drain	6

Installation Instructions

Wall Mounting Information	7
Mounting the Unit	7
Typical Installations	7
Wiring – Main Power	11
Wiring – Low Voltage	11
Thermostat Indicator Lamps	14
Emergency Heat Mode	14
Compressor Malfunction Light	14

Figures

Figure 1 Unit Dimensions	3
Figure 2 Blower Damper Assembly	6
Figure 3 Mounting Instructions	8
Figure 4 Electric Heat Clearance	8
Figure 5 Wall Mounting Instructions	9
Figure 6 Wall Mounting Instructions	9
Figure 7 Common Wall Mounting Installations....	10
Figure 8 Hot Gas Reheat During Dehumidification with CS200	12
Figure 9 Hot Gas Reheat During Dehumidification with Programmable Thermostat	13
Figure 10 Start Up Label	15
Figure 11 Defrost Control Board	17
Figure 12 Fan Blade Setting	20

Start Up

Important Installer Note	15
Crankcase Heaters	15
High Pressure Switch	15
Three Phase Scroll Compressor Start Up	15
Phase Monitor	16
Service Hints	16
Sequence of Operation	16
Pressure Service Ports	17
Defrost Cycle	17

Troubleshooting

Solid State Heat Pump Control Troubleshooting Procedure	18
Checking Temperature Sensor Outside Unit Circuit	19
Temperature vs. Resistance of Temperature Sensor	19
Fan Blade Dimensions	20
Removal of Fan Shroud	20
Refrigerant Charge	20
Pressure Tables	21-22
Optional Accessories	22

Tables

Table 1 Electric Heat Table	2
Table 2 Electrical Specifications	4
Table 3 Thermostat Wire Size	14
Table 4 Wall Thermostats	14
Table 5 Troubleshooting	18
Table 6 Fan Blade Dimensions	20
Table 7 Suction Line Temperatures	20
Table 8 Recommended Operating Ranges	20
Table 9 Indoor Blower Performance	20
Table 10 Maximum ESP of Operation	21
Table 11 Pressure Table – Cooling	21
Table 12 Pressure Table – Heating	22
Table 13 Optional Accessories	22

Getting Other Information and Publications

These publications can help you install the air conditioner or heat pump. You can usually find these at your local library or purchase them directly from the publisher. Be sure to consult current edition of each standard.

National Electrical Code ANSI/NFPA 70

Standard for the Installation ANSI/NFPA 90A
of Air Conditioning and
Ventilating Systems

Standard for Warm Air ANSI/NFPA 90B
Heating and Air
Conditioning Systems

Load Calculation for ACCA Manual J or
Residential Winter and Manual N
Summer Air Conditioning

Low Pressure, Low Velocity ACCA Manual D or
Duct System Design for Winter Manual Q
and Summer Air Conditioning

For more information, contact these publishers:

ACCA **Air Conditioning Contractors of America**
1712 New Hampshire Ave. N.W.
Washington, DC 20009
Telephone: (202) 483-9370
Fax: (202) 234-4721

ANSI **American National Standards Institute**
11 West Street, 13th Floor
New York, NY 10036
Telephone: (212) 642-4900
Fax: (212) 302-1286

ASHRAE **American Society of Heating Refrigerating
and Air Conditioning Engineers, Inc.**
1791 Tullie Circle, N.E.
Atlanta, GA 30329-2305
Telephone: (404) 636-8400
Fax: (404) 321-5478

NFPA **National Fire Protection Association**
Batterymarch Park
P.O. Box 9101
Quincy, MA 02269-9901
Telephone: (800) 344-3555
Fax: (617) 984-7057

Manufactured under the following U.S. patent numbers:

5,301,744; 5,002,116; 4,924,934; 4,875,520; 4,825,936; 4,432,409

Other patents pending.

Wall Mount General Information

Heat Pump Wall Mount Model Nomenclature

MODEL NUMBER **WH 48 1 D A 10 X X X X X B** **CONTROL MODULES**
(See Chart Below)

CAPACITY
42 - 3-1/2 Ton
48 - 4 Ton
60 - 5 Ton

REVISION
1

DEHUMIDIFICATION
D

VOLTS & PHASE
A - 230/208/60-1
B - 230/208/60-3
C - 460/60-3

KW
00 - No KW
05 - 5 KW
06 - 6KW
09 - 9 KW
10 - 10 KW

VENTILATION OPTIONS
X - Barometric Fresh Air Damper (Standard)
B - Blank-off Plate
M - Motorized Fresh Air Damper
V - Commercial Room Ventilator
- Motorized with Exhaust
E - Economizer (Internal) - Fully Modulating with Exhaust
R - Energy Recovery Ventilator - Motorized with Exhaust

COIL OPTIONS
X - Standard
1 - Phenolic Coated Evaporator
2 - Phenolic Coated Condenser
3 - Phenolic Coated Evaporator and Condenser

COLOR OPTIONS
X - Beige (Standard)
1 - White
2 - Mesa Tan
3 - Colonial White
4 - Buckeye Gray

OUTLET OPTIONS
X - Front (Standard)

FILTER OPTIONS
X - One Inch Throwaway (Standard)
W - One Inch Washable
P - Two Inch Pleated

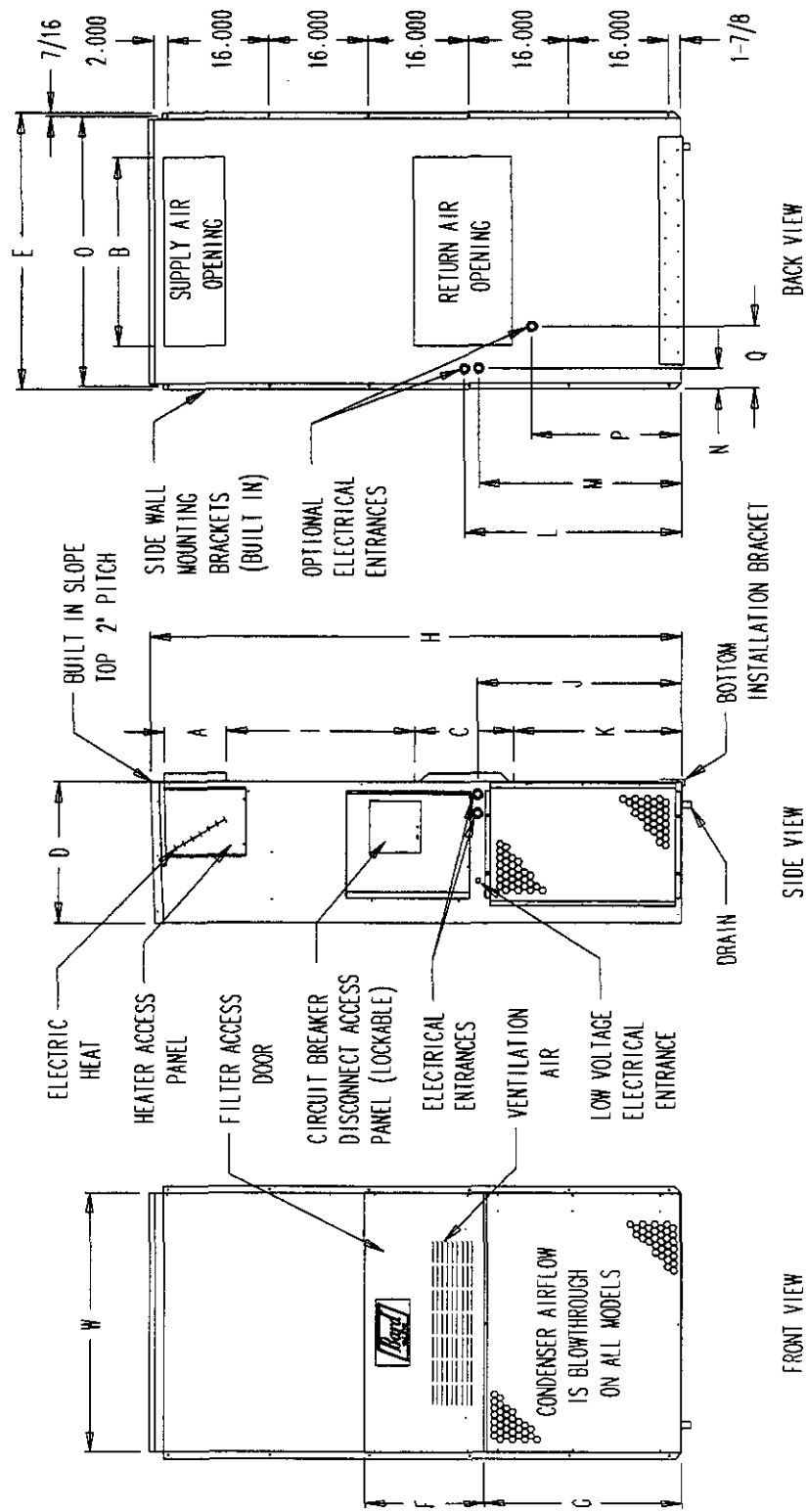
NOTE: For 0 KW and circuit breakers (230/208 V) or pull disconnects (460 V) applications, insert 0Z in the KW field of model number.

**TABLE 1
ELECTRIC HEAT TABLE**

Models KW	WH421DA				WH421DB WH482DB				WH421DC		WH482DA WH602DA				WH482DB WH602DB				WH482DC WH602DC	
	240-1		208-1		240-3		208-3		460-3		240-1		208-1		240-3		208-3		460-3	
	A	BTU	A	BTU	A	BTU	A	BTU	A	BTU	A	BTU	A	BTU	A	BTU	A	BTU	A	BTU
5	20.8	17065	18.1	12800							20.8	17065	18.1	12800						
6					14.4	20500	12.5	15360	7.2	20480										
9					21.7	30600	18.7	23030	10.8	30700					21.7	30600	18.7	23030	10.8	30700
10	41.6	34130	36.2	25600							41.6	34130	36.2	25600						

**FIGURE 1
UNIT DIMENSIONS**

UNIT	WIDTH (W)	DEPTH (D)	HEIGHT (H)	SUPPLY		RETURN		E	F	G	I	J	K	L	M	N	O	P	Q
				A	B	C	B												
42 & 60	42	22-1/4	84-7/8	9-7/8	29-7/8	15-7/8	29-7/8	43-7/8	19	31-5/8	30	32-11/16	27	34-3/4	32-1/2	3-1/4	43	23-7/8	10



**TABLE 2
ELECTRICAL SPECIFICATIONS**

Model	SINGLE CIRCUIT						DUAL CIRCUIT							
	Rated Volts & Phase	No. Field Power Ckts.	④ Minimum Circuit Ampacity	① Maximum External Fuse or Circuit Breaker	② Field Power Wire Size	② Ground Wire Size	④ Minimum Circuit Ampacity		① Maximum External Fuse or Ckt. Breaker		② Field Power Wire Size		② Ground Wire Size	
							Ckt A	Ckt B	Ckt A	Ckt B	Ckt A	Ckt B	Ckt A	Ckt B
WH421DA00, A0Z A05 ③ A10	230/208-1	1	34	50	8	10	N/A	N/A	N/A	N/A	N/A	N/A	N/A	N/A
		1 or 2	60	70	6	8	34	26	50	30	8	10	10	10
		1 or 2	86	90	3	8	34	52	50	60	8	6	10	10
WH421DB00, B0Z B06 ③ B09	230/208-3	1	26	35	8	10	N/A	N/A	N/A	N/A	N/A	N/A	N/A	N/A
		1	44	50	8	10	N/A	N/A	N/A	N/A	N/A	N/A	N/A	N/A
		1	53	60	6	10	N/A	N/A	N/A	N/A	N/A	N/A	N/A	N/A
WH421DC00, C0Z C06 ③ C09	460-3	1	13	20	12	12	N/A	N/A	N/A	N/A	N/A	N/A	N/A	N/A
		1	23	25	10	10	N/A	N/A	N/A	N/A	N/A	N/A	N/A	N/A
		1	27	30	10	10	N/A	N/A	N/A	N/A	N/A	N/A	N/A	N/A
WH482DA00, A0Z A05 ③ A10	230/208-1	1	38	50	8	10	N/A	N/A	N/A	N/A	N/A	N/A	N/A	N/A
		1 or 2	64	80	6	8	38	26	60	30	8	10	10	10
		1 or 2	90	100	3	8	38	52	60	60	8	6	10	10
WH482DB00, B0Z B06 ③ B09	230/208-3	1	27	35	8	10	N/A	N/A	N/A	N/A	N/A	N/A	N/A	N/A
		1	45	50	8	10	N/A	N/A	N/A	N/A	N/A	N/A	N/A	N/A
		1	54	60	6	10	N/A	N/A	N/A	N/A	N/A	N/A	N/A	N/A
WH482DC00, C0Z ③ C09	460-3	1	15	20	12	12	N/A	N/A	N/A	N/A	N/A	N/A	N/A	N/A
		1	28	30	10	10	N/A	N/A	N/A	N/A	N/A	N/A	N/A	N/A
WH602DA00, A0Z A05 ③ A10	230/208-1	1	45	60	8	10	N/A	N/A	N/A	N/A	N/A	N/A	N/A	N/A
		1 or 2	71	90	4	8	45	26	60	60	8	10	10	10
		1 or 2	97	110	3	6	45	52	60	60	8	6	10	10
WH602DB00, B0Z ③ B09	230/208-3	1	33	45	8	10	N/A	N/A	N/A	N/A	N/A	N/A	N/A	N/A
		1	60	60	6	10	N/A	N/A	N/A	N/A	N/A	N/A	N/A	N/A
WH602DC00, C0Z ③ C09	460	1	16	20	12	12	N/A	N/A	N/A	N/A	N/A	N/A	N/A	N/A
		1	29	35	8	10	N/A	N/A	N/A	N/A	N/A	N/A	N/A	N/A

- ① Maximum size of the time delay fuse or HACR type circuit breaker for protection of field wiring conductors.
- ② Based on 75°C copper wire. All wiring must conform to NEC and all local codes.
- ③ Maximum KW that can operate with heat pump on.
- ④ These "Minimum Circuit Ampacity" values are to be used for sizing the field power conductors. Refer to the National Electrical Code (latest version), article 310 for power conductor sizing. **CAUTION: When more than one field power conductor circuit is run through one conduit, the conductors must be derated. Pay special attention to note 8 of table 310 regarding Ampacity Adjustment Factors when more than 3 conductors are in a raceway.**

SHIPPING DAMAGE

Upon receipt of equipment, the carton should be checked for external signs of shipping damage. If damage is found, the receiving party must contact the last carrier immediately, preferably in writing, requesting inspection by the carrier's agent.

GENERAL

The equipment covered in this manual is to be installed by trained, experienced service and installation technicians.

The refrigerant system is completely assembled and charged. All internal wiring is complete.

The unit is designed for use with or without duct work. Flanges are provided for attaching the supply and return ducts.

These instructions and any instructions packaged with any separate equipment required to make up the entire heat pump system should be carefully read before beginning the installation. Note particularly "Starting Procedure" and any tags and/or labels attached to the equipment.

While these instructions are intended as a general recommended guide, they do not supersede any national and/or local codes in any way. Authorities having jurisdiction should be consulted before the installation is made. See Page 1 for information on codes and standards.

Size of unit for a proposed installation should be based on heat loss calculation made according to methods of Air Conditioning Contractors of America (ACCA). The air duct should be installed in accordance with the Standards of the National Fire Protection Association for the Installation of Air Conditioning and Ventilating Systems of Other Than Residence Type, NFPA No. 90A, and Residence Type Warm Air Heating and Air Conditioning Systems, NFPA No. 90B. Where local regulations are at a variance with instructions, installer should adhere to local codes.

DUCT WORK

Any heat pump is more critical of proper operating charge and an adequate duct system than a straight air conditioning unit. All duct work, supply and return, must be properly sized for the design air flow requirement of the equipment. Air Conditioning Contractors of America (ACCA) is an excellent guide to proper sizing. All duct work or portions thereof not in the conditioned space should be properly insulated in order to both conserve energy and prevent condensation or moisture damage.

Refer to Table 10 for maximum static pressure available for duct design.

Design the duct work according to methods given by the Air Conditioning Contractors of America (ACCA). When duct runs through unheated spaces, it should be insulated with a minimum of one inch of insulation. Use insulation with a vapor barrier on the outside of the insulation. Flexible joints should be used to connect the duct work to the equipment in order to keep the noise transmission to a minimum.

A 1/4 inch clearance to combustible material for the first three feet (3') of duct attached to the outlet air frame is required. See Wall Mounting Instructions and Figures 4 and 5 for further details.

Ducts through the walls must be insulated and all joints taped or sealed to prevent air or moisture entering the wall cavity.

CAUTION

Some installations may not require any return air duct. A metallic return air grille is required with installations not requiring a return air duct. The spacing between louvers on the grille shall not be larger than 5/8 inches.

Any grille that meets the 5/8 inch louver criteria, may be used. It is recommended that Bard Return Air Grille Kit RG-2 thru RG-5 or RFG-2 thru RFG-5 be installed when no return duct is used. Contact distributor or factory for ordering information. If using a return air filter grille, filters must be of sufficient size to allow a maximum velocity of 400 fpm.

NOTE: If no return air duct is used, applicable installation codes may limit this cabinet to installation only in a single story structure.

FILTERS

A 1 inch throwaway filter is supplied with each unit. The filter slides into position making it easy to service. This filter can be serviced from the outside by removing the service door. A 1 inch washable filter and 2 inch pleated filter are also available as optional accessories. The internal filter brackets are adjustable to accommodate the 2 inch filter by bending down the tabs to allow spacing for the 2 inch filters.

FRESH AIR INTAKE

All units are built with fresh air inlet slots punched in the service panel.

If the unit is equipped with the fresh air damper assembly, the assembly is shipped already attached to the unit. The damper blade is locked in the closed position. To allow the damper to operate, the maximum and minimum blade position stops must be installed. See Figure 1.

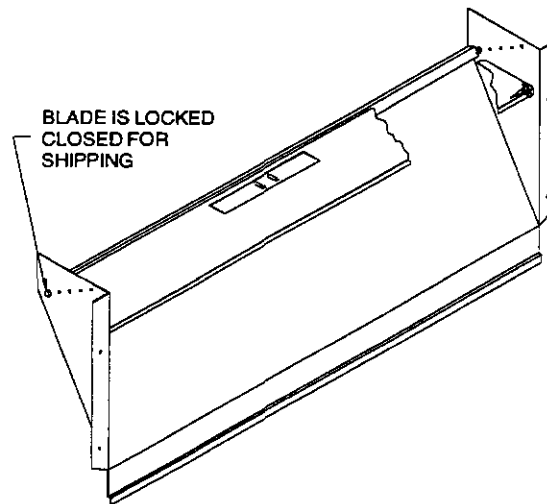
All capacity, efficiency and cost of operation information as required for Department of Energy "Energyguide" Fact Sheets is based upon the fresh air blank-off plate in place and is recommended for maximum energy efficiency.

The blank-off plate is available upon request from the factory and is installed in place of the fresh air damper shipped with each unit.

CONDENSATE DRAIN

A plastic drain hose extends from the drain pan at the top of the unit down to the unit base. There are openings in the unit base for the drain hose to pass through. In the event the drain hose is connected to a drain system of some type, it must be an open or vented type system to assure proper drainage.

**FIGURE 1
BLOWER DAMPER ASSEMBLY**



MIS-838

INSTALLATION INSTRUCTIONS

WALL MOUNTING INFORMATION

1. Two holes, for the supply and return air openings, must be cut through the wall as shown in Figure 2.
2. On wood-frame walls, the wall construction must be strong and rigid enough to carry the weight of the unit without transmitting any unit vibration. See Figures 4 and 5.

WARNING

Fire hazard can result if 1/4 inch clearance to combustible materials for supply air duct is not maintained. See Figure 2.

3. Concrete block walls must be thoroughly inspected to insure that they are capable of carrying the weight of the installing unit. See Figure 4.

MOUNTING THE UNIT

1. These units are secured by wall mounting brackets which secure the unit to the outside wall surface at both sides. A bottom mounting bracket is provided for ease of installation, but it is not required.
2. The unit itself is suitable for "0" inch clearance, but the supply air duct flange and the first 3 feet of supply air duct require a minimum of 1/4 inch clearance to combustible material. If a combustible wall, use a minimum of 30-1/2" x 10-1/2" dimensions for sizing. However, it is generally recommended that a 1 inch clearance is used for ease of installation and maintaining the required clearance to combustible material. The supply air opening would then be 32" x 12". See Figures 2, 4 and 7 for details.

WARNING

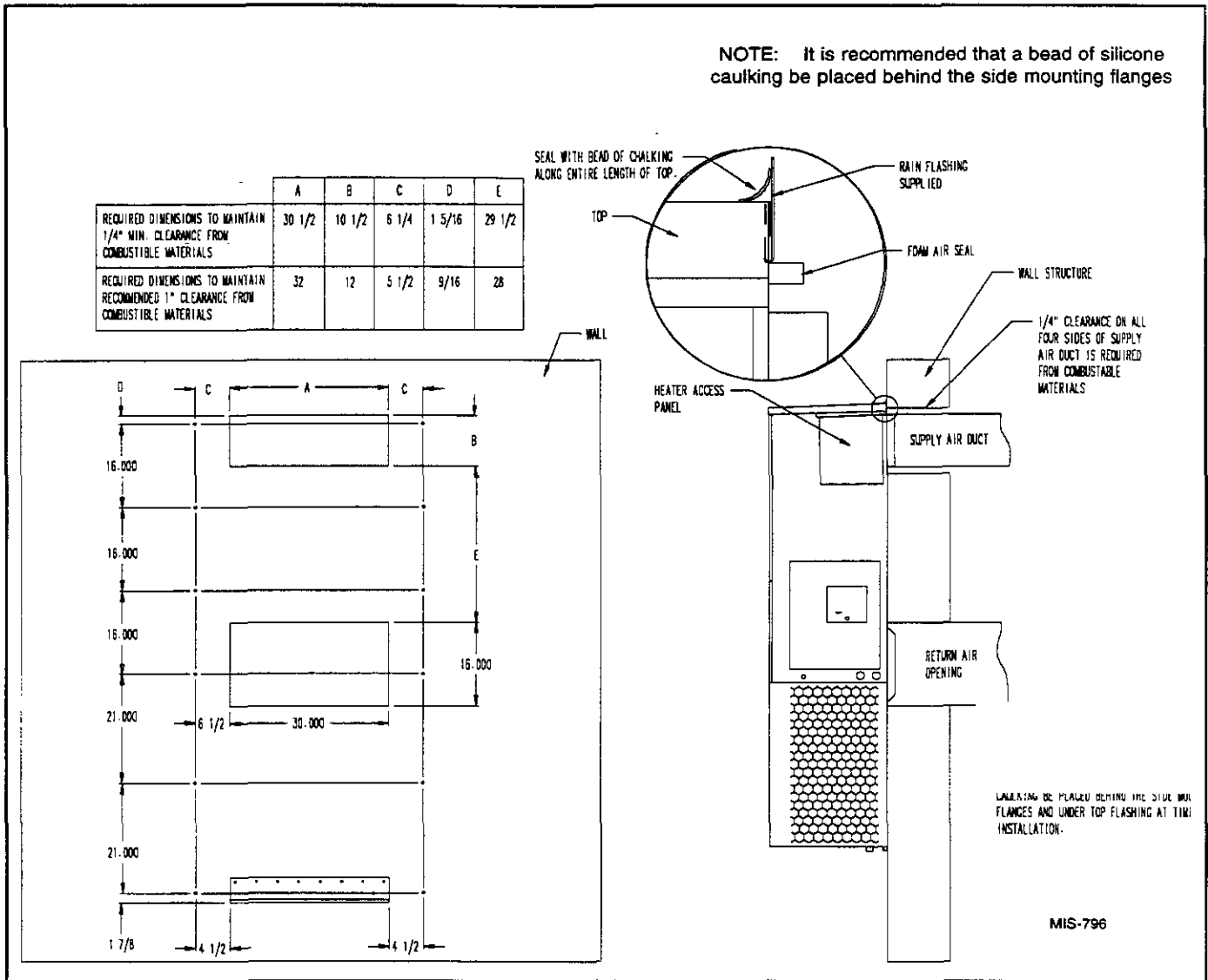
Failure to provide the 1/4 inch clearance between the supply duct and a combustible surface for the first 3 feet of duct can result in fire.

3. Locate and mark lag bolt locations and bottom mounting bracket location. See Figure 4.
4. Mount bottom mounting bracket.
5. Hook top rain flashing under back bend of top. Top rain flashing is shipped secured to the right side of the back.
6. Position unit in opening and secure with 5/16 lag bolts; use 7/8 inch diameter flat washers on the lag bolts.
7. Secure rain flashing to wall and caulk across entire length of top. See Figure 2.
8. For additional mounting rigidity, the return air and supply air frames or collars can be drilled and screwed or welded to the structural wall itself (depending upon wall construction). Be sure to observe required clearance if combustible wall.
9. On side by side installations, maintain a minimum of 20 inches clearance on right side to allow access to heat strips and control panel, and to allow proper airflow to the outdoor coil. Additional clearance may be required to meet local or national codes.

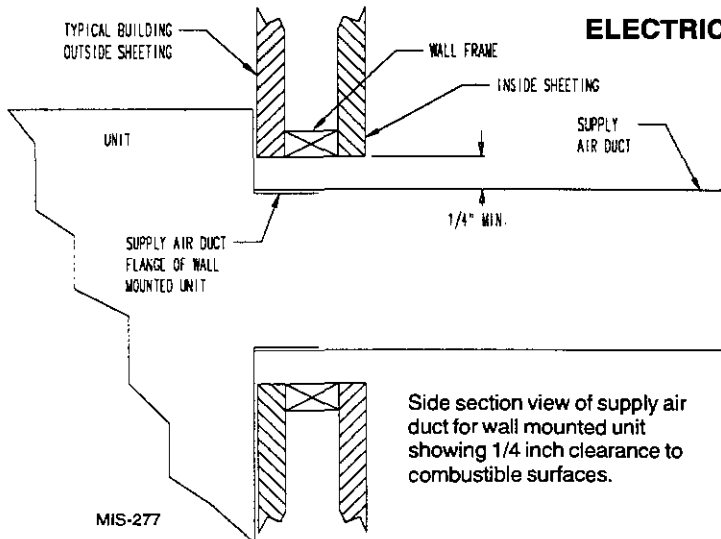
TYPICAL INSTALLATIONS

See Figure 6 for common ways to install the wall-mount unit.

**FIGURE 2
MOUNTING INSTRUCTIONS**



**FIGURE 3
ELECTRIC HEAT CLEARANCE**



⚠ WARNING

- A minimum of 1/4 inch clearance must be maintained between the supply air duct and combustible materials. This is required for the first 3 feet of ducting.
- It is important to insure that the 1/4 inch minimum spacing is maintained at all points.
- Failure to do this could result in overheating the combustible material and may result in fire.

FIGURE 4 WALL-MOUNTING INSTRUCTIONS

SEE FIGURE 3 — MOUNTING INSTRUCTIONS

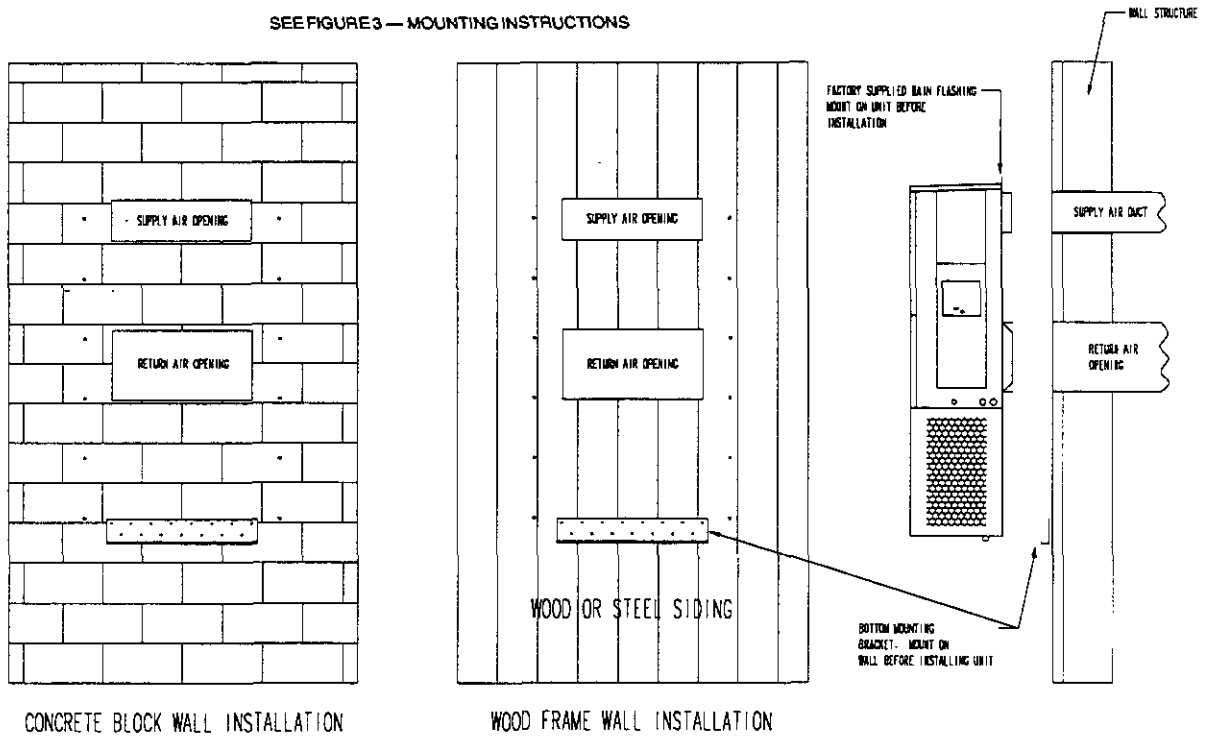
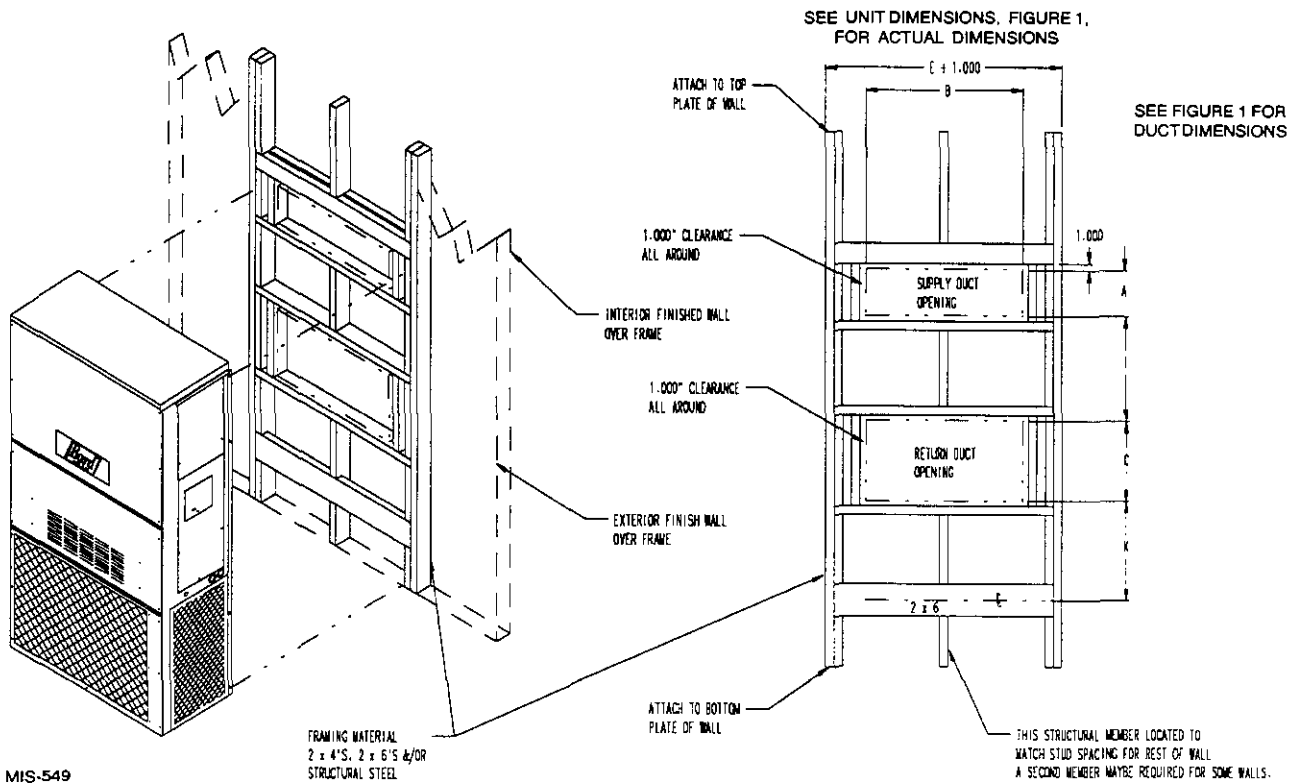
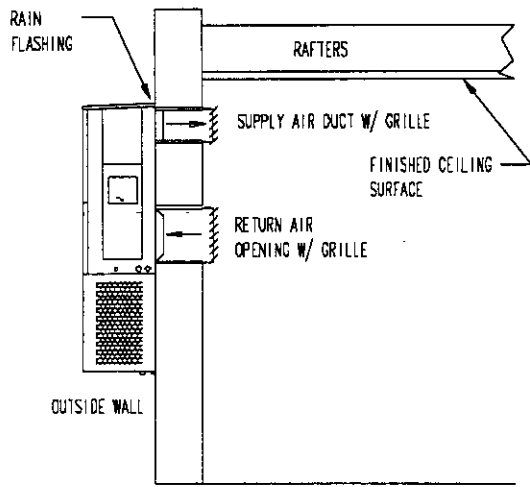


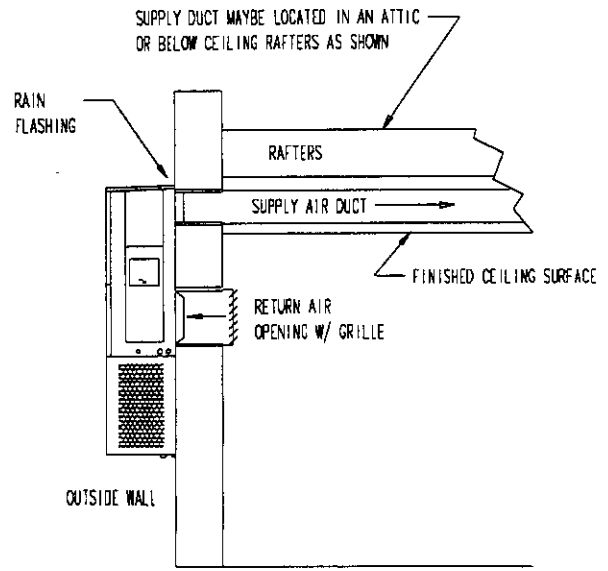
FIGURE 5 WALL-MOUNTING INSTRUCTIONS



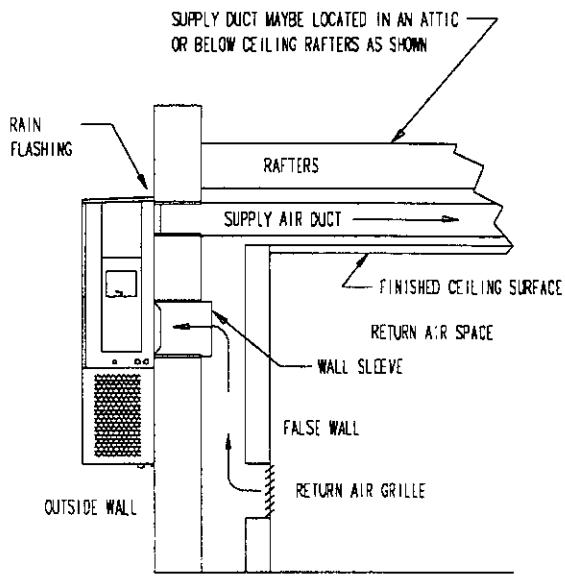
**FIGURE 6
COMMON WALL-MOUNTING INSTALLATIONS**



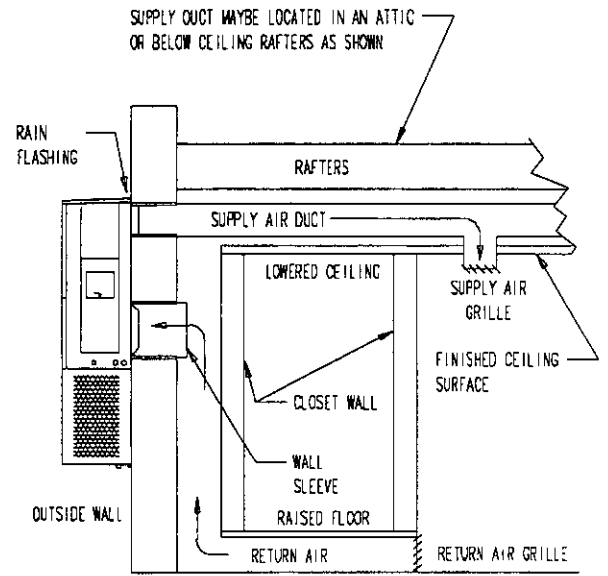
FREE AIR FLOW
NO DUCT



DUCTED SUPPLY
RETURN AT UNIT



FALSE WALL INSTALLATION



CLOSET INSTALLATION

WIRING — MAIN POWER

Refer to the unit rating plate for wire sizing information and maximum fuse or “HACR” type circuit breaker size. Each outdoor unit is marked with a “Minimum Circuit Ampacity”. This means that the field wiring used must be sized to carry that amount of current. Depending on the installed KW of electric heat, there may be two field power circuits required. If this is the case, the unit serial plate will so indicate. All models are suitable only for connection with copper wire. Each unit and/or wiring diagram will be marked “Use Copper Conductors Only”. These instructions *must be* adhered to. Refer to the National Electrical Code (NEC) for complete current carrying capacity data on the various insulation grades of wiring material. All wiring must conform to NEC and all local codes.

The electrical data lists fuse and wire sizes (75°C copper) for all models, including the most commonly used heater sizes. Also shown are the number of field power circuits required for the various models with heaters.

The unit rating plate lists a “Maximum Time Delay Relay Fuse” or “HACR” type circuit breaker that is to be used with the equipment. The correct size must be used for proper circuit protection and also to assure that there will be no nuisance tripping due to the momentary high starting current of the compressor motor.

The disconnect access door on this unit may be locked to prevent unauthorized access to the

disconnect. To convert for the locking capability, bend the tab located in the bottom left hand corner of the disconnect opening under the disconnect access panel straight out. This tab will now line up with the slot in the door. When shut, a padlock may be placed through the hole in the tab preventing entry.

See Start-up section for information on three phase scroll compressor start-ups.

WIRING — LOW VOLTAGE WIRING

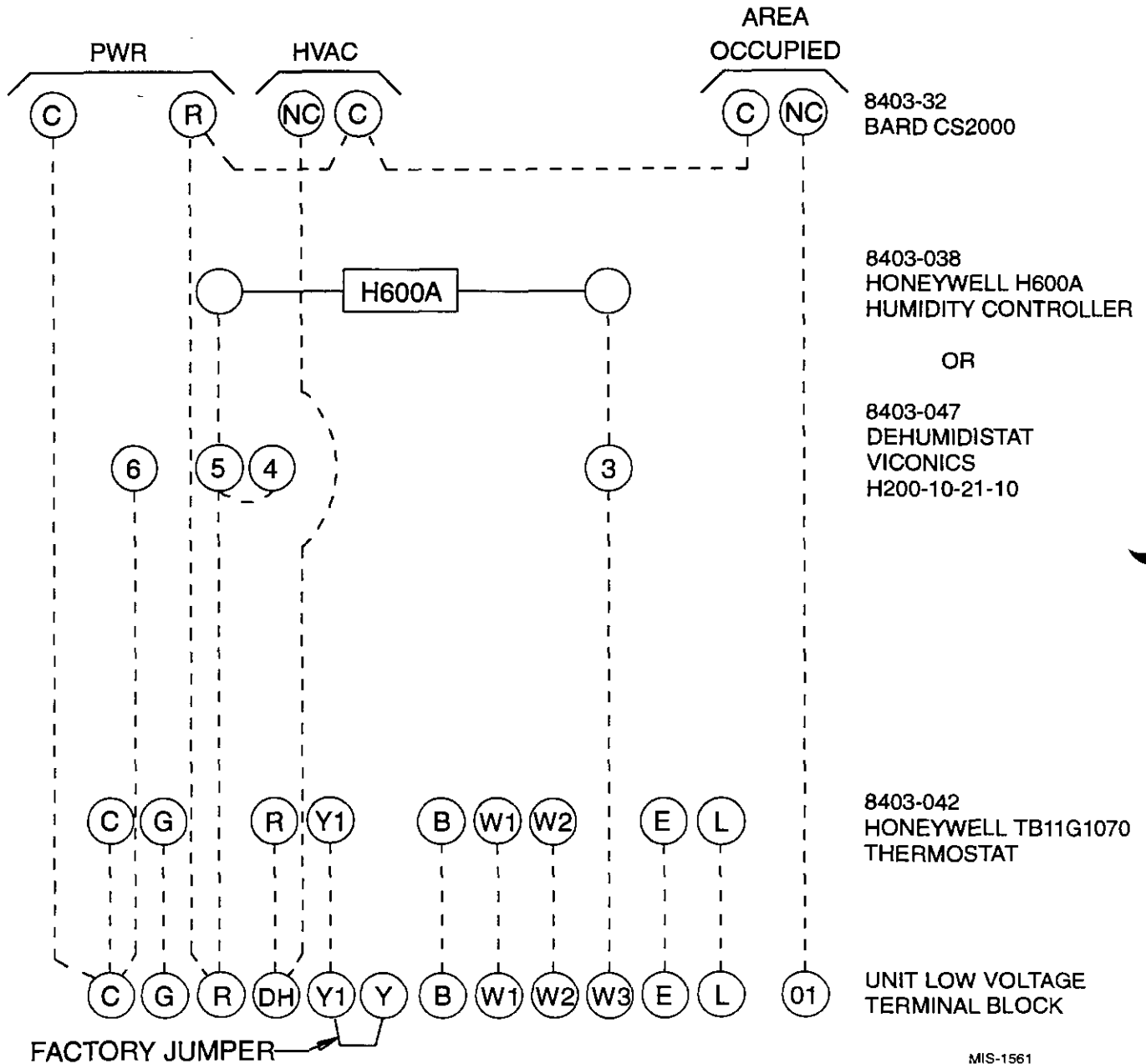
230/208V, 1 phase and 3 phase equipment dual primary voltage transformers. All equipment leaves the factory wired on 240V tap. For 208V operation, reconnect from 240V to 208V tap. The acceptable operating voltage range for the 240 and 208V taps are:

<u>Tap</u>	<u>Range</u>
240	253 - 216
208	220 - 187

NOTE: The voltage should be measured at the field power connection point in the unit and while the unit is operating at full load (maximum amperage operating condition).

Nine (9) wires should be run from thermostat subbase to the 24V terminal board in the unit. A nine conductor, 18 gauge copper, color-coded thermostat cable is recommended. The connection points are shown in Figures 7 and 8.

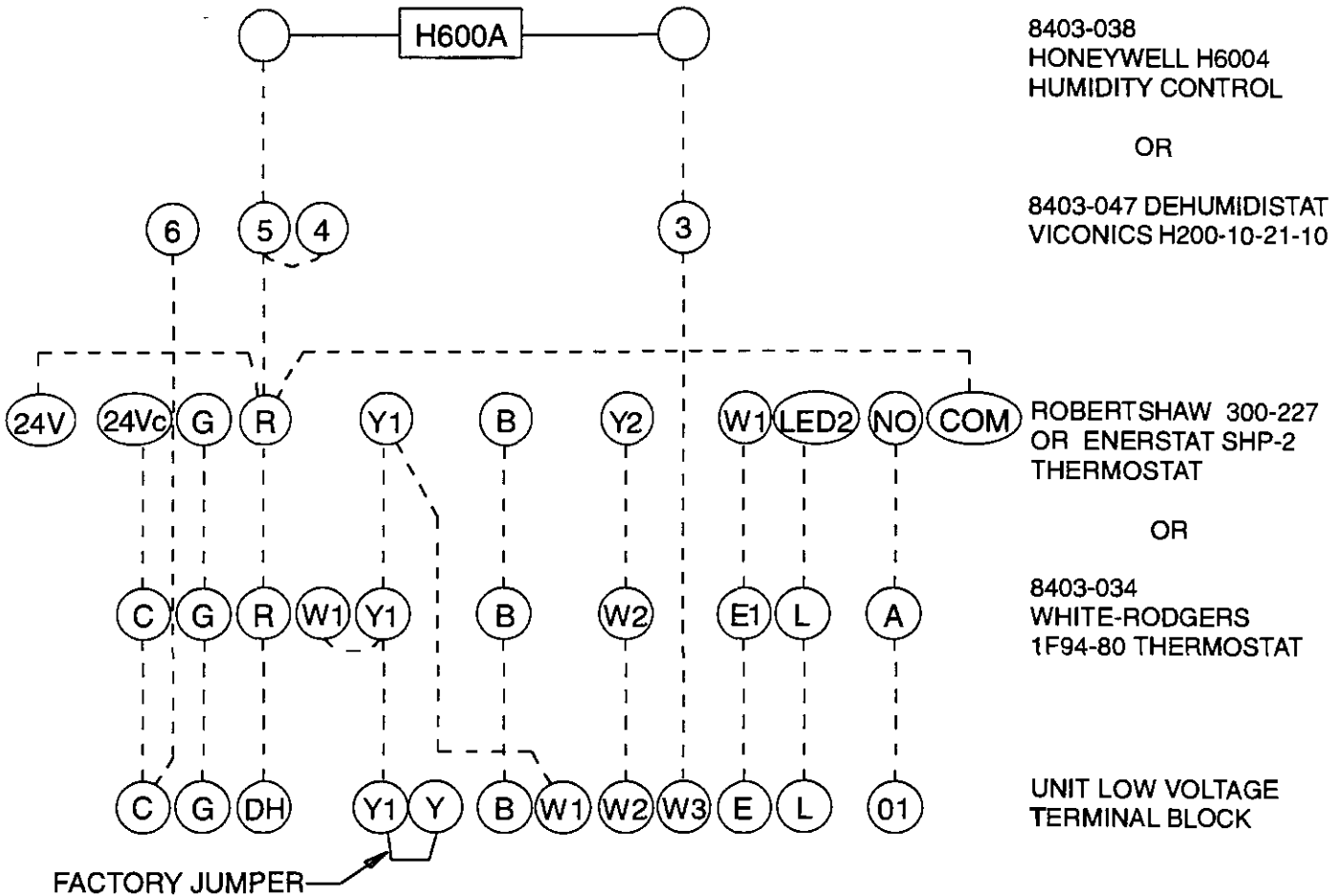
FIGURE 7
WHxxx Dx – HOT GAS REHEAT DURING DEHUMIDIFICATION
WITH CS2000 ENERGY MONITOR FULL TIME DEHUMIDIFICATION



IMPORTANT NOTE:

Only the thermostat and subbase combinations as shown in Table 4 will work with this equipment. The thermostat and subbase **must** be matched and the correct operation can be assured only by proper selection and application of these parts.

FIGURE 8
WHxxxDx – HOT GAS REHEAT DURING DEHUMIDIFICATION
WITH PROGRAMMABLE THERMOSTAT FULL TIME DEHUMIDIFICATION



MIS-1582

IMPORTANT NOTE:

*Only the thermostat and subbase combinations as shown in Table 4 will work with this equipment. The thermostat and subbase **must** be matched and the correct operation can be assured only by proper selection and application of these parts.*

**TABLE 3
THERMOSTAT WIRE SIZE**

Transformer VA	FLA	Wire Gauge	Maximum Distance In Feet
55	2.3	20 gauge	45
		18 gauge	60
		16 gauge	100
		14 gauge	160
		12 gauge	250

**TABLE 4
WALL THERMOSTATS**

Thermostat	Predominant Features
8403-042 (T8511G1070)	1 stage cool; 2 stage heat Electronic Non-Programmable Auto or Manual changeover
Robertshaw 300-227	2 stage cool; 3 stage heat 7 Day Programmable Auto or Manual changeover
Enerstat SHP-2	2 stage cool; 3 stage heat 7 Day Programmable Auto or Manual changeover
8403-034 1F94-80	2 stage cool; 3 stage heat 7 Day Programmable Auto or Manual changeover

THERMOSTAT INDICATOR LAMPS

The red lamp will come on if there is any problem that prevents the compressor from running when it is supposed to be.

EMERGENCY HEAT MODE

The operator of the equipment must manually place the system switch in this position. This is done when there is a known problem with the unit, or when the red lamp comes on indicating a problem.

COMPRESSOR MALFUNCTION LIGHT

Actuation of the red lamp is accomplished by a relay output from the heat pump control board which is factory installed. Any condition such as loss of charge, high head pressure, etc., that will prevent compressor for operating will cause red lamp to activate. This is a signal to the operator of the equipment to place system in emergency heat position.

IMPORTANT INSTALLER NOTE

For improved start-up performance, wash the indoor coil with a dishwashing detergent.

CRANKCASE HEATERS

WH421 units are provided with compressor crankcase heat. WH482 units are not provided with crankcase heat. These units utilize scroll compressors which do not require crankcase heat in this application.

The WH421 models have an insertion well-type heater located in the lower section of the compressor housing this is a self-regulating type heater that draws only enough power to maintain the compressor at a safe temperature on these units.

Some form of crankcase heat is essential to prevent liquid refrigerant from migrating to the compressor, causing oil pump out on compressor start-up and possible valve failure due to compressing a liquid.

The decal in Figure 9 is affixed to all WH421 units detailing start-up procedure. This is very important. *Please read carefully.*

HIGH PRESSURE SWITCH

The WH482 models are supplied with a remote reset high pressure switch. If tripped, this pressure switch may be reset by turning the thermostat off then back on again.

THREE PHASE SCROLL COMPRESSOR START UP INFORMATION

Scroll compressors, like several other types of compressors, will only compress in one rotational direction. Direction of rotation is not an issue with single phase compressors since they will always start and run in the proper direction.

However, three phase compressors will rotate in either direction depending upon phasing of the power. Since there is a 50-50 chance of connecting power in such a way as to cause rotation in the reverse direction, verification of proper rotation must be made. All three phase scroll units incorporate a phase monitor to ensure proper field wiring. See the "Phase Monitor" on page 15 of this manual.

Verification of *proper rotation* must be made any time a compressor is change or rewired. If improper rotation is corrected at this time there will be no negative impact on the durability of the compressor. However, reverse operation for over one hour may have a negative impact on the bearing due to oil pump out.

FIGURE 9
START UP LABEL

IMPORTANT

THESE PROCEDURES MUST BE FOLLOWED AT INITIAL START UP AND AT ANY TIME POWER HAS BEEN REMOVED FOR 12 HOURS OR LONGER.

TO PREVENT COMPRESSOR DAMAGE WHICH MAY RESULT FROM THE PRESENCE OF LIQUID REFRIGERANT IN THE COMPRESSOR CRANKCASE:

1. MAKE CERTAIN THE ROOM THERMOSTAT IS IN THE "OFF" POSITION. (THE COMPRESSOR IS NOT TO OPERATE.)
2. APPLY POWER BY CLOSING THE SYSTEM DISCONNECT SWITCH. THIS ENERGIZES THE COMPRESSOR HEATER WHICH EVAPORATES THE LIQUID REFRIGERANT IN THE CRANKCASE.
3. ALLOW 4 HOURS OR 60 MINUTES PER POUND OF REFRIGERANT IN THE SYSTEM AS NOTED ON THE UNIT RATING PLATE, WHICHEVER IS GREATER.
4. AFTER PROPER ELAPSED TIME THE THERMOSTAT MAY BE SET TO OPERATE THE COMPRESSOR.
5. EXCEPT AS REQUIRED FOR SAFETY WHILE SERVICING, DO NOT OPEN SYSTEM DISCONNECT SWITCH.

7961-411

NOTE: If compressor is allowed to run in reverse rotation for several minutes, the compressor's internal protector will trip.

All three phase ZR3 compressors are wired identical internally. As a result, once the correct phasing is determined for a specific system or installation, connecting properly phased power leads to the same Fusite terminal should maintain proper rotation direction.

Verification of proper rotation direction is made by observing that suction pressure drops and discharge pressure rises when the compressor is energized.

Reverse rotation also results in an elevated sound level over that with correct rotations, as well as, substantially reduced current draw compared to tabulated values.

The direction of rotation of the compressor may be changed by reversing any two line connections to the unit.

PHASE MONITOR

All units with three phase scroll compressors are equipped with a 3 phase line monitor to prevent compressor damage due to phase reversal.

The phase monitor in this unit is equipped with two LEDs. If the Y signal is present at the phase monitor and phases are correct, the green LED will light. If phases are reversed, the red fault LED will be lit and compressor operation is inhibited.

If a fault condition occurs, reverse two of the supply leads to the unit. Do not reverse any of the unit factory wires as damage may occur.

SERVICE HINTS

1. Caution homeowner to maintain clean air filters at all times. Also, not to needlessly close off supply and return air registers. This reduces air flow through the system, which shortens equipment service life as well as increasing operating costs.
2. Switching to heating cycle at 75° F or higher outside temperature may cause a nuisance trip of the remote reset high pressure switch. Turn thermostat off, then on to reset the high pressure switch.
3. The heat pump wall thermostats perform multiple functions. Be sure that all function switches are correctly set for the desired operating mode before trying to diagnose any reported service problems.
4. Check all power fuses or circuit breakers to be sure they are the correct rating.
5. Periodic cleaning of the outdoor coil to permit full and unrestricted airflow circulation is essential.

SEQUENCE OF OPERATION

COOLING – Circuit R-Y makes at thermostat pulling in compressor contactor, starting the compressor and outdoor motor. The G (indoor motor) circuit is automatically completed on any call for cooling operation or can be energized by manual fan switch on subbase for constant air circulation.

HEATING – A 24V solenoid coil on reversing valve controls heating cycle operation. Two thermostat options, one allowing "Auto" changeover from cycle to cycle and the other constantly energizing solenoid coil during heating season, and thus eliminating pressure equalization noise except during defrost, are to be used. On "Auto" option a circuit is completed from R-W1 and R-Y on each heating "on" cycle, energizing reversing valve solenoid and pulling in compressor contactor starting compressor and outdoor motor. R-G also make starting indoor blower motor.

Heat pump heating cycle now in operation. The second option has no "Auto" changeover position, but instead energizes the reversing valve solenoid constantly whenever the system switch on subbase is placed in "Heat" position, the "B" terminal being constantly energized from R. A Thermostat demand for heat completes r-Y circuit, pulling in compressor contactor starting compressor and outdoor motor. R-G also make starting indoor blower motor.

OCCUPIED MODE

VENTILATION SEQUENCE – The ERV and indoor blower will be continuously energized when the timer is energized.

COOLING SEQUENCE – On a call for cooling, the compressor of the unit is energized to provide cooling. A call for cooling cancels dehumidification mode. Cooling mode is only available when the timer is energized.

HEATING SEQUENCE – On a call for heating, the compressor and reversing valve of the unit are energized to provide heat pump heating. If the room temperature falls below the 2nd stage heating set point backup electric heat is energized. Heat pump heating is only available when the timer is energized. If heating is energized any call for dehumidification is ignored. If dehumidification is already energized a call for 2nd stage heating is needed to cancel dehumidification mode.

DEHUMIDIFICATION SEQUENCE – On a call for dehumidification the compressor and three way valve of the unit are energized to provide dehumidification. Dehumidification mode will continue until the humidistat is satisfied. If the room temperature falls below 1st stage heating setpoint, electric heat will be energized by the room thermostat and cycle to maintain room temperature. If 2nd stage heating setpoint is reached, dehumidification is de-energized and heat pump heating is energized. A call for cooling cancels dehumidification mode.

UNOCCUPIED MODE

Cooling, heating, emergency heat and ventilation are inhibited.

DEHUMIDIFICATION SEQUENCE – On a call for dehumidification the compressor and three way valve of the unit are energized to provide dehumidification. Dehumidification mode will continue until the humidistat is satisfied. If the room temperature falls below 65 degrees and dehumidification is energized, electric heat will be energized by the return air thermostat and cycle to maintain room temperature.

OTHER CONTROL SEQUENCE

Any time the indoor coil temperature falls below 32 degrees the compressor will be de-energized until the coil temperature rises above 57 degrees.

PRESSURE SERVICE PORTS

High and low pressure service ports are installed on all units so that the system operating pressures can be observed. Pressure tables can be found later in the manual covering all models on both cooling and heating cycles. It is imperative to match the correct pressure curve to the unit by model number.

DEFROST CYCLE

The defrost cycle is controlled by temperature and time on the solid state heat pump control.

When the outdoor temperature is in the lower 40° F temperature range or colder, the outdoor coil temperature is 32° F or below. This coil temperature is sensed by the coil sensor mounted near the bottom of the outdoor coil. Once coil temperature reaches 30° F or below, the coil sends a signal to the control logic of the heat pump control and the defrost timer will start.

After 60 (90 or 30) minutes at 30° F or below, the heat pump control will place the system in the defrost mode.

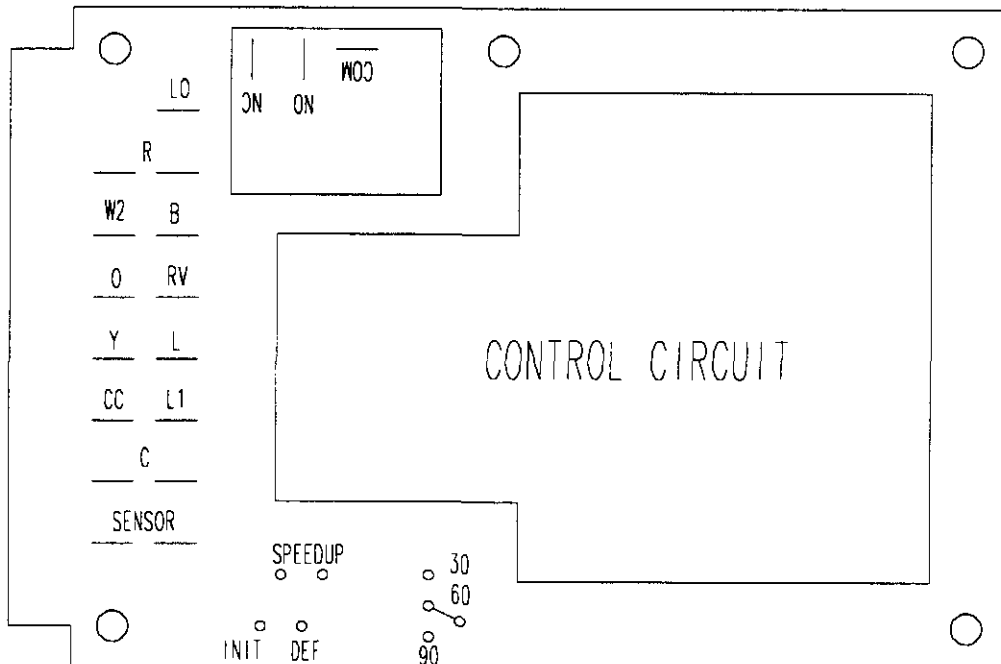
During the defrost mode, the refrigerant cycle switches back to the cooling cycle, the outdoor motor stops, electric heaters are energized, and hot gas passing through the outdoor coil melts any accumulated frost. When the temperature rises to approximately 57° F, the coil sensor will send a signal to the heat pump control which will return the system to heating operations automatically.

If some abnormal or temporary condition such as a high wind caused the heat pump to have a prolonged defrost cycle, the heat pump control will restore the system to heating operating automatically after 10 minutes.

There is a cycle speed up jumper on the control. This can be used to reduce the time between defrost cycle operation without waiting for time to elapse.

There is an initial defrost (init def) jumper on the control that can be used at any outdoor ambient during the heating cycle to simulate a 0° coil temperature. This can be used to check defrost operation of the unit without waiting for the outdoor ambient to fall into the defrost region.

FIGURE 10
DEFROST CONTROL BOARD



TROUBLESHOOTING

SOLID STATE HEAT PUMP CONTROL TROUBLESHOOTING PROCEDURE

1. Turn on AC power supply to indoor and outdoor units.
2. Turn thermostat blower switch to fan "on" – the indoor blower should start. (If it doesn't, troubleshoot indoor unit and correct problem).

3. Turn thermostat blower switch to auto position. Indoor blower should stop.
4. Set system to heat or cool. Adjust thermostat to call for heat or cool – the indoor blower, compressor, and outdoor fan should start.

NOTE: If there was no power to 24 volt transformer, the compressor and outdoor fan motor will not start for 5 minutes. This is because of the compressor short cycle protection.

**TABLE 5
TROUBLESHOOTING**

Symptom	Possible Causes	What to Check	How to Check or Repair
Compressor contactor does not energize (heating or cooling)	Contil circuit wiring	Check for R connection at unit and 24 volt between R-C.	Run R connection to outdoor unit to power heat pump control.
	Compressor lock out	1. Check for 24V between L1-C on heat pump control Check across high 2. pressure switch.	1. If no voltage between L1-C, turn thermostat off and on again to reset high pressure switch. 2. If high pressure switch is open and will not reset, replace high pressure switch.
	Compressor short cycle protection	Check for 24V between CC-C and Y-C on heat pump control.	If no voltage between CC-C, jumper speed up terminal, and within 10 seconds power should appear between CC-C. Remove speed up jumper after 10 seconds.
	Heat pump control defective	Check all other possible causes. Manual 2100-065.	Replace heat pump control.
	Contactor defective	Check for open or shorted coil winding.	Replace contactor.
	Power phasing not correct	Check for red LED on phase monitor. (3 phase units only)	Switch two power leads to the unit.
Fan outdoor motor does not run (cooling or heating except during defrost)	Motor defective	Check for open or shorted motor winding.	Replace motor.
	Motor capacitor defective	Check capacitor rating. Check for open or shorted capacitor.	Replace capacitor.
	Heat pump control defective	Check across fan relay on heat pump control. (Com-NC)	Replace heat pump control.
Reversing valve does not energize (heating only)	Reversing volve solenoid coil defective	Check for open or shorted coil.	Replace solenoid coil.
	Heat pump control defective	Check for 24V between RV-C and B-C.	1. Check control circuit wiring. 2. Replace heat pump control
Unit will not go into defrost (heating only)	Temperature sensor or heat pump control defective	Disconnect temperature sensor from board and jumper across speed up terminals and sen jump terminals. This should cause the unit to go through a defrost cycle within one minute.	1. If unit goes through defrost cycle, replace temperature sensor. 2. If unit does not go through defrost cycle, replace heat pump control.
Unit will not come out of defrost (heating only)	Temperature sensor or heat pump control defective.	Jumper across speed up terminals. This should cause the unit to come out of defrost within one minute.	1. If unit comes out of defrost cycle, replace temperature sensor. 2. If unit does not come out of defrost cycle, replace heat pump control.

CHECKING TEMPERATURE SENSOR OUTSIDE UNIT CIRCUIT

1. Disconnect temperature sensor from board and from outdoor coil.
2. Use an ohmmeter and measure the resistance of the sensor. Also use ohmmeter to check for short or open.
3. Check resistance reading to chart of resistance. Use sensor ambient temperature. (Tolerance of part is $\pm 10\%$.)
4. If sensor resistance reads very low, then sensor is shorted and will not allow proper operation of the heat pump control.
5. If sensor is out of tolerance, shorted, open or reads very low ohms then it should be replaced.

TEMPERATURE F VS. RESISTANCE R OF TEMPERATURE SENSOR

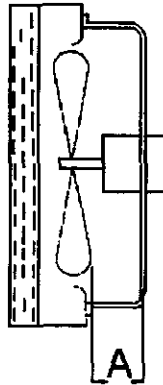
F	R	F	R	F	R
-25.0	196871	25.0	39898	75.0	10501
-24.0	190099	26.0	38757	76.0	10247
-23.0	183585	27.0	37652	77.0	10000
-22.0	177318	28.0	36583	78.0	9760
-21.0	171289	29.0	35548	79.0	9526
-20.0	165487	30.0	34545	80.0	9299
-19.0	159904	31.0	33574	81.0	9077
-18.0	154529	32.0	32634	82.0	8862
-17.0	149355	33.0	31723	83.0	8653
-16.0	144374	34.0	30840	84.0	8449
-15.0	139576	35.0	29986	85.0	8250
-14.0	134956	36.0	29157	86.0	8057
-13.0	130506	37.0	28355	87.0	7869
-12.0	126219	38.0	27577	88.0	7686
-11.0	122089	39.0	26823	89.0	7507
-10.0	118108	40.0	26092	90.0	7334
-9.0	114272	41.0	25383	91.0	7165
-8.0	110575	42.0	24696	92.0	7000
-7.0	107010	43.0	24030	93.0	6840
-6.0	103574	44.0	23384	94.0	6683
-5.0	100260	45.0	22758	95.0	6531
-4.0	97064	46.0	22150	96.0	6383
-3.0	93981	47.0	21561	97.0	6239
-2.0	91008	48.0	20989	98.0	6098
-1.0	88139	49.0	20435	99.0	5961
0.0	85371	50.0	19896	100.0	5827
1.0	82699	51.0	19374	101.0	5697
2.0	80121	52.0	18867	102.0	5570
3.0	77632	53.0	18375	103.0	5446
4.0	75230	54.0	17898	104.0	5326
5.0	72910	55.0	17434	105.0	5208
6.0	70670	56.0	16984	106.0	5094
7.0	68507	57.0	16547	107.0	4982
8.0	66418	58.0	16122	108.0	4873
9.0	64399	59.0	15710	109.0	4767
10.0	62449	60.0	15310	110.0	4663
11.0	60565	61.0	14921	111.0	4562
12.0	58745	62.0	14544	112.0	4464
13.0	56985	63.0	14177	113.0	4367
14.0	55284	64.0	13820	114.0	4274
15.0	53640	65.0	13474	115.0	4182
16.0	52051	66.0	13137	116.0	4093
17.0	50514	67.0	12810	117.0	4006
18.0	49028	68.0	12492	118.0	3921
19.0	47590	69.0	12183	119.0	3838
20.0	46200	70.0	11883	120.0	3757
21.0	44855	71.0	11591	121.0	3678
22.0	43554	72.0	11307	122.0	3601
23.0	42295	73.0	11031	123.0	3526
24.0	41077	74.0	10762	124.0	3452

FAN BLADE SETTING DIMENSIONS

Shown in the drawing in Figure 11 are the correct fan blade setting dimensions for proper air delivery across the outdoor coil.

Any service work requiring removal or adjustment in the fan and/or motor area will require that the dimensions below be checked and blade adjusted in or out on the motor shaft accordingly.

**FIGURE 11
FAN BLADE SETTING**



MIS-1190

**TABLE 6
FAN BLADE DIMENSIONS**

Model	Dimension A
WH421	1.75
WH482	
WH602	

REMOVAL OF FAN SHROUD

1. Disconnect all power to unit.
2. Remove the screws holding both grilles – one on each side of unit – and remove grilles.
3. Remove screws holding fan shroud to condenser and bottom – (9) screws.
4. Unwire condenser fan motor.
5. Slide complete motor, fan blade, and shroud assembly out the left side of the unit.
6. Service motor/fan as needed.
7. Reverse steps to reinstall.

REFRIGERANT CHARGE

The correct system R-22 charge is shown on the unit rating plate. Optimum unit performance will occur with a refrigerant charge resulting in a suction line temperature (6 inches from compressor) as shown in the Table 7.

**TABLE 7
SUCTION LINE TEMPERATURES**

Model	Rated Airflow	95 F OD Temperature	82 F OD Temperature
WH421	1400	52 -- 54	62 -- 64
WH482	1550	53 -- 55	62 -- 64
WH602	1700	52 -- 54	61 -- 63

The suction line temperatures in Table 7 are based upon 80°F dry bulb / 67 degrees F wet bulb (50 percent R.H.) temperature and rated airflow across the evaporator during cooling cycle.

**TABLE 8
RECOMMENDED OPERATING RANGES**

Model	Rated CFM *	Rated ESP *	Recommended Airflow Range
WA421	1400	.30	1600 - 1150
WA482	1550	.20	1750 - 1285
WA602	1700	.30	1950 - 1375

* Rated CFM and ESP on high speed tap.

**TABLE 9
INDOOR BLOWER PERFORMANCE
CFM @ 230V**

E.S.P. in H ₂ O	WH421, WH482				WH602			
	Low 230V		High 230V		Low 230V		High 230V	
	Dry Coil	Wet Coil	Dry Coil	Wet Coil	Dry Coil	Wet Coil	Dry Coil	Wet Coil
.0	1650	1600	1885	1800	1600	1450	2200	2000
.1	1550	1500	1770	1665	1525	1375	2100	1900
.2	1450	1400	1635	1540	---	---	2000	1800
.3	1350	1300	1500	1400	---	---	1875	1700
.4	1300	1175	1370	1285	---	---	1775	1600
.5	---	---	1250	1150	---	---	1650	1475

**TABLE 10
MAXIMUM ESP OF OPERATION
ELECTRIC HEAT ONLY**

Model Speed KW	WH421		WH482		WH602	
	High Speed	Low Speed	High Speed	Low Speed	High Speed	Low Speed
-A00	.50	.50	.50	.50	.50	.40
-A05	.50	.50	.50	.50	.50	.25
-A10	.50	.45	.50	.45	.50	.25
-B00	.50	.50	.50	.50	.50	.40
-B09	.50	.45	.50	.45	.50	.30
-C00	.50	.50	.50	.50	.50	.40
-C09	.50	.40	.50	.40	.50	.35

Values shown are for units equipped with standard 1 inch throwaway filter on 1 inch washable filter. Derate ESP by .15 for 2 inch pleated filters.

**TABLE 11
COOLING PRESSURE - (All temperatures °F)**

Model	Return Air Temperature	Pressure	75	80	85	90	95	100	105	110	115
WH421	75 deg. DB 62 deg. WB	Low Side	74	75	77	78	79	80	80	81	82
		High Side	205	220	235	251	266	282	297	313	329
	80 deg. DB 67 deg. WB	Low Side	79	80	82	83	84	85	85	86	86
		High Side	210	226	241	257	273	289	305	321	337
	85 deg. DB 72 deg. WB	Low Side	85	86	88	89	90	91	91	92	92
		High Side	217	233	250	266	283	300	316	333	349
WH482	75 deg. DB 62 deg. WB	Low Side	74	75	77	78	79	80	80	81	81
		High Side	221	231	242	255	270	287	305	326	348
	80 deg. DB 67 deg. WB	Low Side	79	80	82	83	84	85	85	86	86
		High Side	214	233	252	271	289	307	324	341	357
	85 deg. DB 72 deg. WB	Low Side	85	86	88	89	90	91	91	92	92
		High Side	221	241	261	280	299	317	335	352	369
WH602	75 deg. DB 62 deg. WB	Low Side	70	71	73	74	75	76	78	79	81
		High Side	225	233	246	262	282	306	333	364	399
	80 deg. DB 67 deg. WB	Low Side	75	76	78	79	80	81	83	85	87
		High Side	231	239	252	269	289	313	341	373	409
	85 deg. DB 72 deg. WB	Low Side	81	82	84	85	86	88	90	93	96
		High Side	240	248	261	278	299	324	353	386	410

Low side pressure ± 2 psig
High side pressure ± 5 psig

Tables are based upon rated CFM (airflow) across the evaporator coil. If there is any doubt as to correct operating charge being in the system, the charge should be removed, system evacuated and recharged to serial plate instruction.

TABLE 12
HEATING PRESSURES - (All temperatures °F)

Model	Return Air Temperature	Pressure	0	5	10	15	17	20	25	30	35	40	45	47	50	55	60
WH421	70 deg.	Low Side	21	25	27	29	30	32	35	39	43	48	53	55	58	64	71
		High Side	141	147	152	158	160	163	169	174	180	190	201	206	214	229	246
WH482	70 deg.	Low Side	16	19	22	26	27	29	32	36	39	45	51	54	59	67	77
		High Side	161	164	168	172	174	177	182	188	195	202	210	213	218	227	236
WH602	70 deg.	Low Side	23	25	27	28	29	30	32	33	35	42	51	55	62	75	91
		High Side	178	182	185	189	191	192	194	196	205	218	236	244	257	283	313

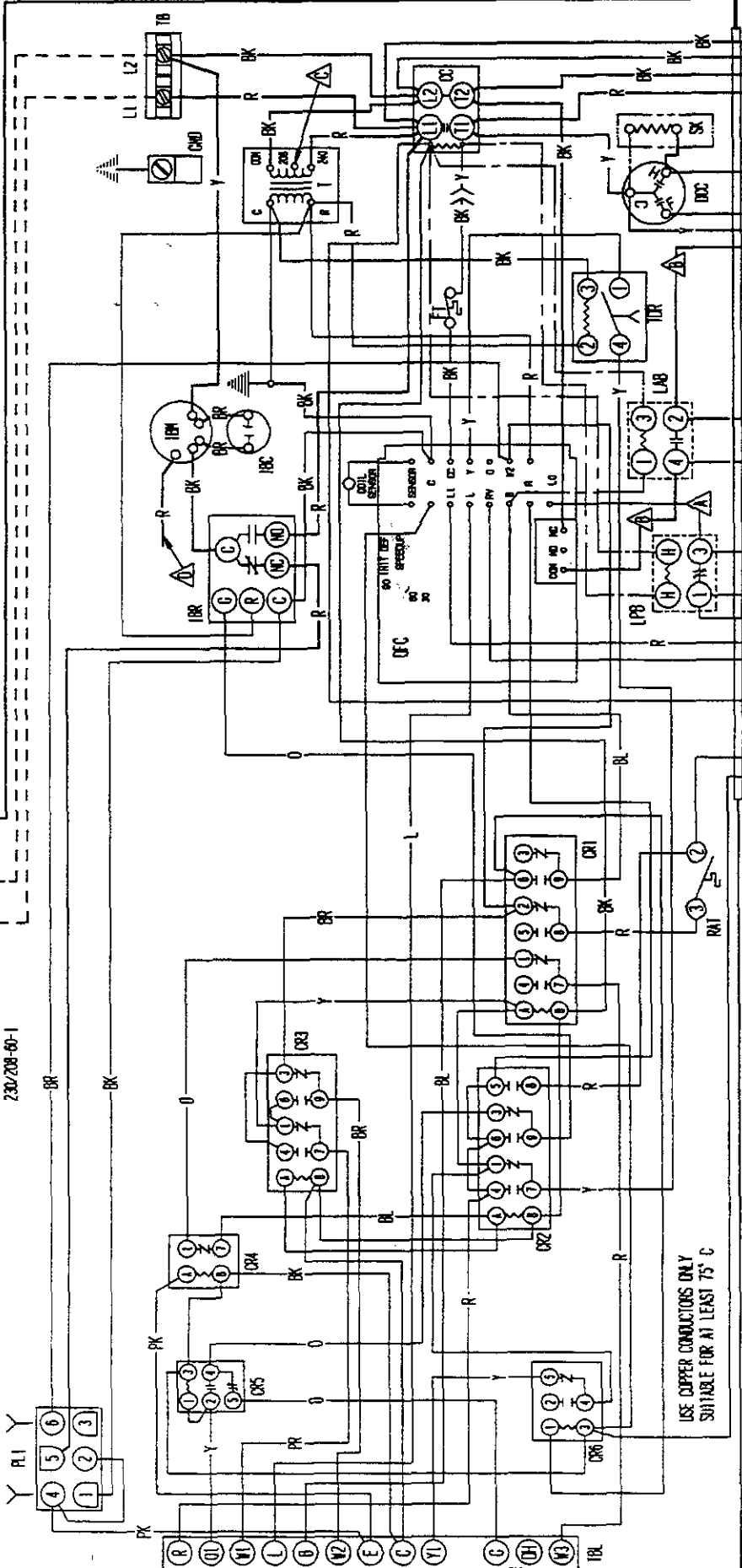
Low side pressure ± 2 psig
High side pressure ± 5 psig

Tables are based upon rated CFM (airflow) across the evaporator coil. If there is any doubt as to correct operating charge being in the system, the charge should be removed, system evacuated and recharged to serial plate instruction.

TABLE 13
OPTIONAL ACCESSORIES

Model	Description	WH421DA	WH421DB	WH421DC	WH482DA	WH482DB	WH482DC	WH602DA	WH602DB	WH602DC
EHHW42-A05	Heater Packages	X								
EHHW42-A10	Heater Packages	X								
EHHW42-C06	Heater Packages			X						
EHHW04-A05	Heater Packages				X			X		
EHHW04-A10	Heater Packages				X			X		
EHHW04-B09	Heater Packages		X			X			X	
EHHW04-C09	Heater Packages			X			X			X
BOP-5	Blank Off Plate	X	X	X	X	X	X	X	X	X
BFAD-5	Barometric Fresh Air Damper	X	X	X	X	X	X	X	X	X
MFAD-5	Motorized Fresh Air Damper	X	X	X	X	X	X	X	X	X
CRV-5	Classroom Ventilator with Exhaust	X	X	X	X	X	X	X	X	X
EIFM-4	Economizer with Exhaust	X	X	X	X	X	X	X	X	X
WERV-A5B	Energy Recovery Ventilator	X	X		X	X		X	X	
WERV-C5B	Energy Recovery Ventilator			X			X			X
CMH-3	Low Pressure Control (LPC)		X			X			X	
CMH-7	Low Ambient Control (LAC)		X			X			X	
CMH-9	LAC + LPC		X			X			X	
CMH-14	Outdoor Thermostat (ODT)		X	X	X	X	X	X	X	X
CMH-15	Start Kit (SK)	X								
WMCB-05	Circuit Breaker		X			X				
WMPD-01	Circuit Breaker			X			X			X
WMCB-07B	Circuit Breaker								X	
WMCB-09A	Circuit Breaker							X		
WMCB-08B	Circuit Breaker	X			X					

230/208-60-1



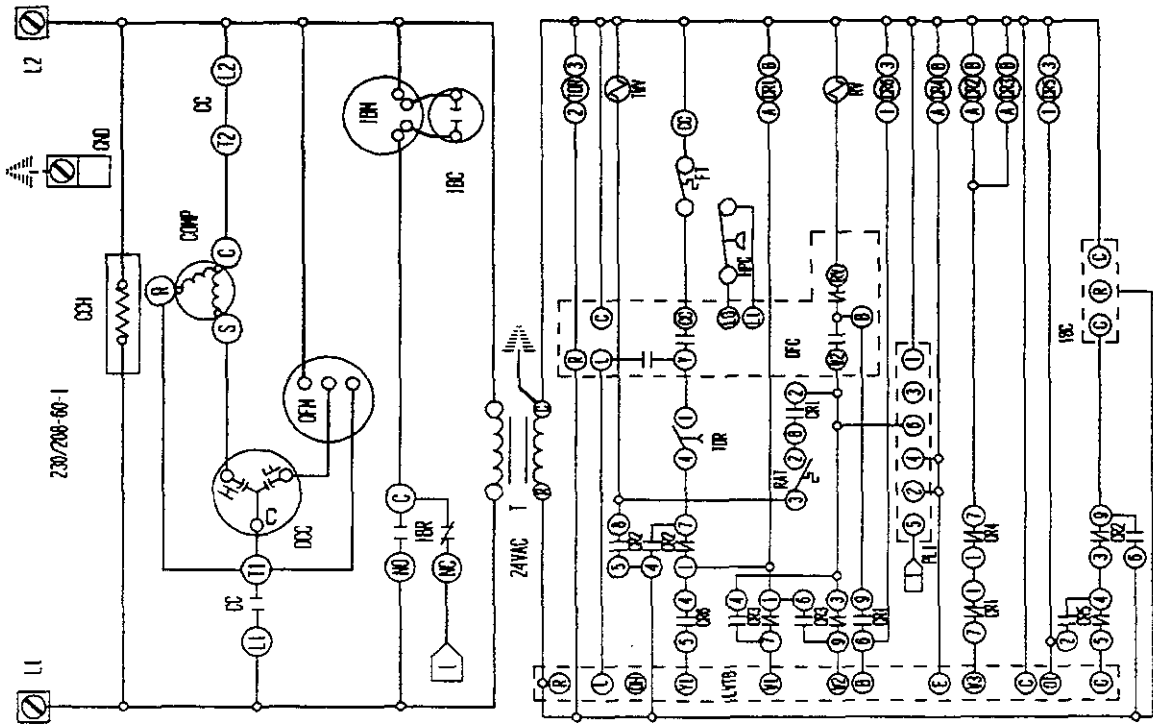
RED (LOW BLACK HIGH) WIRE TO ZORY TAP FOR ZORY OPERATION WHERE APPLICABLE

▲ Labeled wires connect if no options used. ▲ Note red wire to zory tap for zory operation where applicable. ▲ Red (low black high) wire to zory tap for zory operation where applicable.

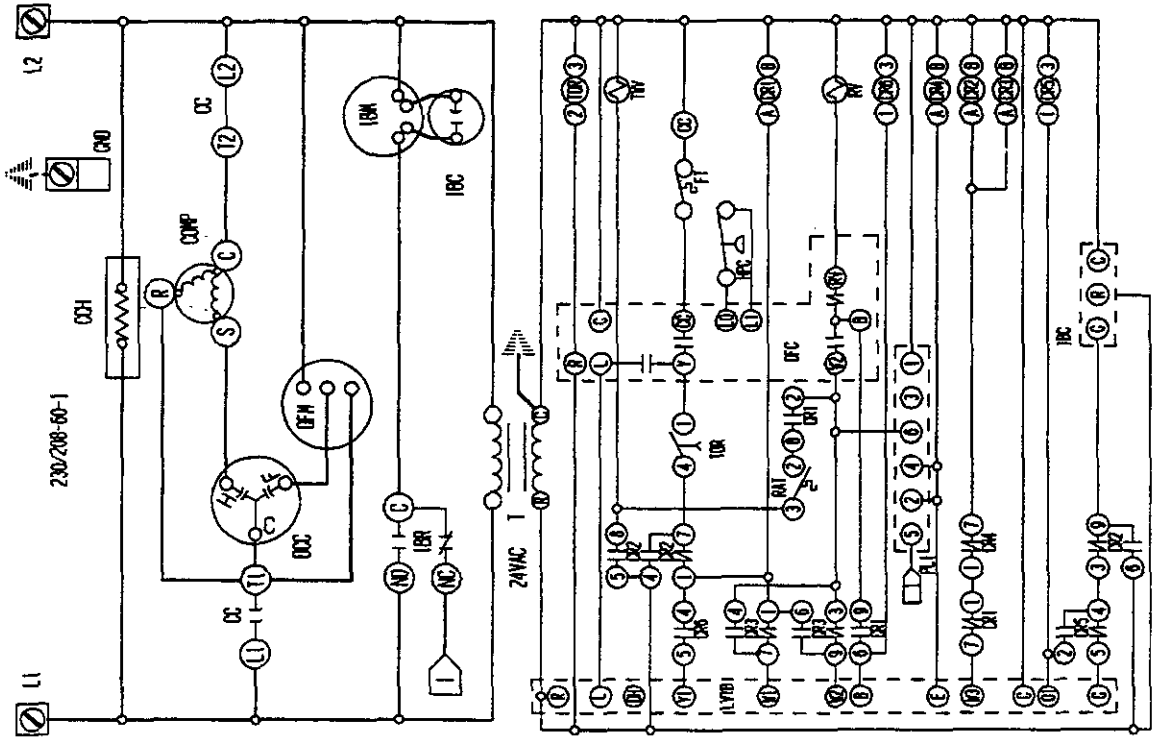
Component Code	Factory Std.	Fired	Optional	Color Code	Terminal
DB1				Y	T
DB2				Y	T
DB3				Y	T
DB4				Y	T
DB5				Y	T
DB6				Y	T
DB7				Y	T
DB8				Y	T
DB9				Y	T
DB10				Y	T
DB11				Y	T
DB12				Y	T
DB13				Y	T
DB14				Y	T
DB15				Y	T
DB16				Y	T
DB17				Y	T
DB18				Y	T
DB19				Y	T
DB20				Y	T
DB21				Y	T
DB22				Y	T
DB23				Y	T
DB24				Y	T
DB25				Y	T
DB26				Y	T
DB27				Y	T
DB28				Y	T
DB29				Y	T
DB30				Y	T
DB31				Y	T
DB32				Y	T
DB33				Y	T
DB34				Y	T
DB35				Y	T
DB36				Y	T
DB37				Y	T
DB38				Y	T
DB39				Y	T
DB40				Y	T
DB41				Y	T
DB42				Y	T
DB43				Y	T
DB44				Y	T
DB45				Y	T
DB46				Y	T
DB47				Y	T
DB48				Y	T
DB49				Y	T
DB50				Y	T
DB51				Y	T
DB52				Y	T
DB53				Y	T
DB54				Y	T
DB55				Y	T
DB56				Y	T
DB57				Y	T
DB58				Y	T
DB59				Y	T
DB60				Y	T
DB61				Y	T
DB62				Y	T
DB63				Y	T
DB64				Y	T
DB65				Y	T
DB66				Y	T
DB67				Y	T
DB68				Y	T
DB69				Y	T
DB70				Y	T
DB71				Y	T
DB72				Y	T
DB73				Y	T
DB74				Y	T
DB75				Y	T
DB76				Y	T
DB77				Y	T
DB78				Y	T
DB79				Y	T
DB80				Y	T
DB81				Y	T
DB82				Y	T
DB83				Y	T
DB84				Y	T
DB85				Y	T
DB86				Y	T
DB87				Y	T
DB88				Y	T
DB89				Y	T
DB90				Y	T
DB91				Y	T
DB92				Y	T
DB93				Y	T
DB94				Y	T
DB95				Y	T
DB96				Y	T
DB97				Y	T
DB98				Y	T
DB99				Y	T
DB100				Y	T

USE COPPER CONDUCTORS ONLY SUITABLE FOR AT LEAST 75° C

BARCO MFG. CO. 4096-119 D

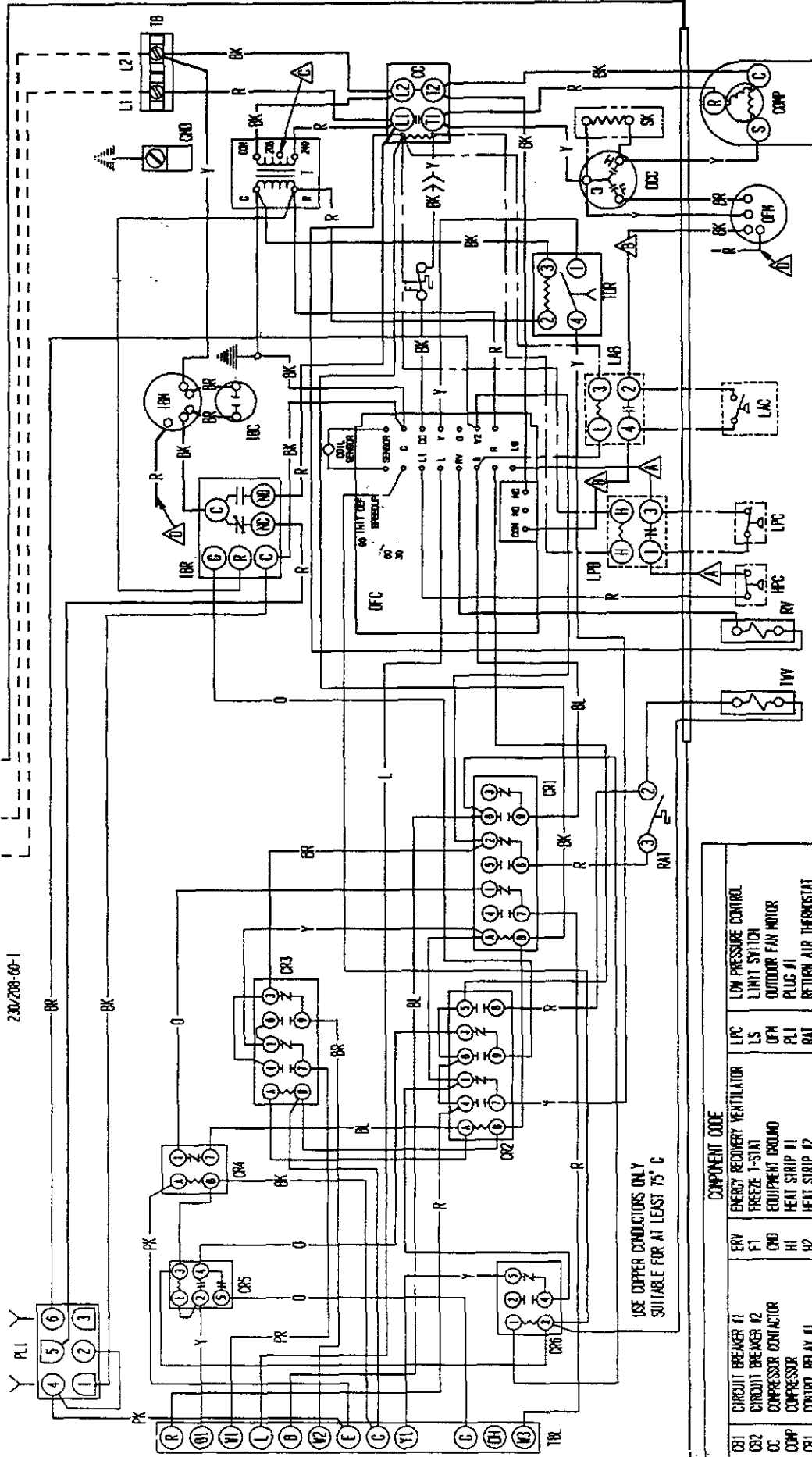


4096-120 A



4096-120 A

230/208-60-1



USE COPPER CONDUCTORS ONLY
SUITABLE FOR AT LEAST 75° C

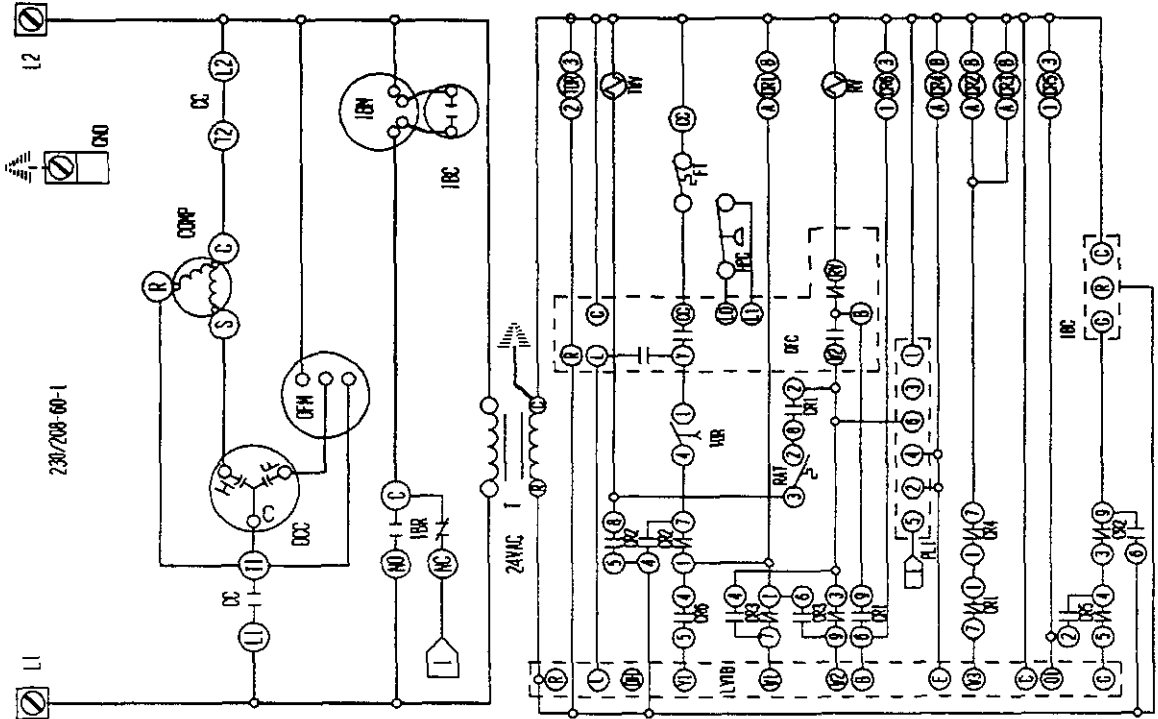
COMPONENT CODE	
DB1	CIRCUIT BREAKER #1
DB2	CIRCUIT BREAKER #2
CC	COMPRESSOR CONTACTOR
COMP	COMPRESSOR
CR1	CONTROL RELAY #1
CR2	CONTROL RELAY #2
CR3	CONTROL RELAY #3
CR4	CONTROL RELAY #4
CR5	CONTROL RELAY #5
CR6	CONTROL RELAY #6
DC	DUAL CAPACITOR
DFC	DEFROST CONTROL
ER	EMERGENCY HEAT RELAY
ERV	ENERGY RECOVERY VENTILATOR
F1	FREIZE T-SWITCH
CHD	EQUIPMENT GROUND
H1	HEAT STRIP #1
H2	HEAT STRIP #2
HC1	HEATER CONTACTOR #1
HC2	HEATER CONTACTOR #2
HPC	HIGH PRESSURE CONTROL
IBC	INDOOR BLOWER CONTACTOR
IBK	INDOOR BLOWER MOTOR
IR	INDOOR BLOWER RELAY
LAB	LOW AMBIENT BYPASS CONTROL
LAC	LOW AMBIENT CONTROL
LPC	LOW PRESSURE BYPASS
LPC	LOW PRESSURE CONTROL
LS	LIMIT SWITCH
OFM	OUTDOOR FAN MOTOR
PL1	PLUG #1
RAT	RETURN AIR THERMOSTAT
RV	REV. VALVE SOLENOID
SK	START KIT
T	TRANSFORMER
TB	TERMINAL BLOCK
TBL	LOW VOLTAGE TERMINAL BLOCK
TOO	THERMAL CUTOFF
TWV	THREE WAY VALVE
TTR	TIME DELAY RELAY

COLOR CODE	
Y	YELLOW
C	GREEN
BL	BLUE
W	WHITE
BK	BLACK
BR	BROWN
R	RED
O	ORANGE
V	VIOLET
P	PURPLE
PK	PINK
L	LAVENDER
T	TAN

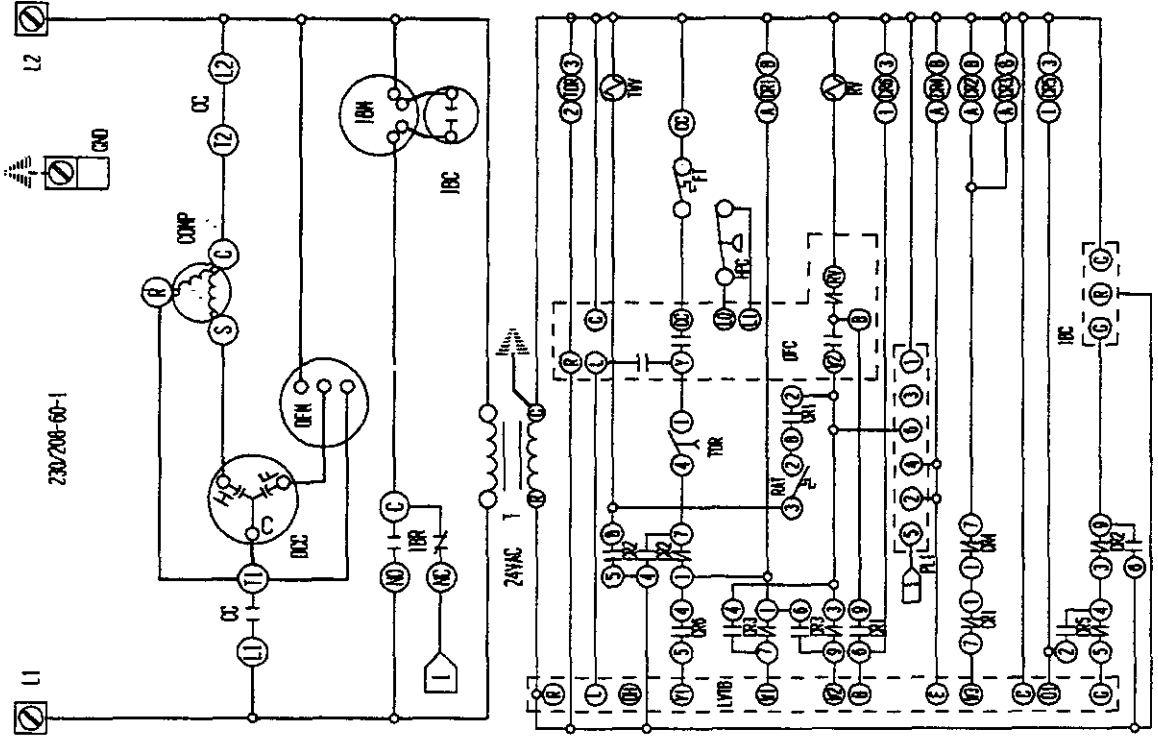
△ Labeled wires connect if no options used. △ Move red wire to 208V tap for 208V operation. △ Red (low) black (high) where applicable.

FACTORY STD. FIELD OPTIONAL
HIGH VOLTAGE
LOW VOLTAGE
ACCESSORY

BAIRD MFG. CO.
4096-121 D

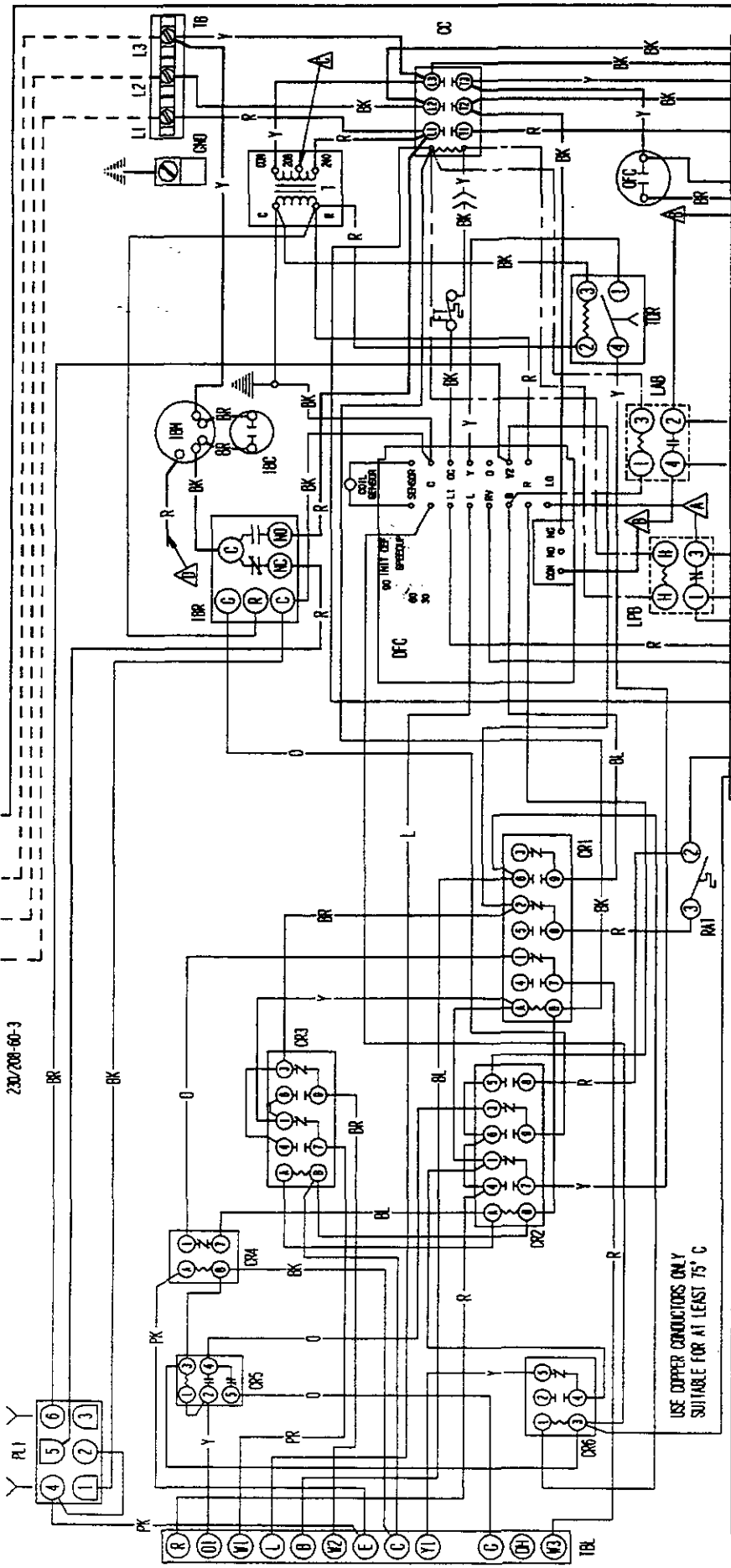


4096-122 A



4096-122 A

230/208-60-3



COMPONENT CODE		Labeled wires connect if no options used.		MOVE RED WIRE TO 208V TAP FOR 208V OPERATION		RED (LOW) BLACK (HIGH) WHERE APPLICABLE	
DR1	CIRCUIT BREAKER #1	DR1	LOW PRESSURE BIPASS	DR1	OPTIONAL	DR1	OPTIONAL
DR2	CIRCUIT BREAKER #2	DR2	LOW PRESSURE CONTROL	DR2	FIELD	DR2	FIELD
DR3	COMPRESSOR CONTACTOR	DR3	LIMIT SWITCH	DR3	FACTORY STD.	DR3	FACTORY STD.
DR4	COMPRESSOR CRANKCASE HEATER	DR4	OUTDOOR FAN CAPACITOR	DR4	HIGH VOLTAGE	DR4	HIGH VOLTAGE
DR5	COMPRESSOR	DR5	OUTDOOR FAN MOTOR	DR5	LOW VOLTAGE	DR5	LOW VOLTAGE
DR6	CONTROL RELAY #1	DR6	PLUG #1	DR6	ACCESSORY	DR6	ACCESSORY
DR7	CONTROL RELAY #2	DR7	RETURN AIR THERMOSTAT	DR7		DR7	
DR8	CONTROL RELAY #3	DR8	REV. VALVE SOLENOID	DR8		DR8	
DR9	CONTROL RELAY #4	DR9	TRANSFORMER	DR9		DR9	
DR10	CONTROL RELAY #5	DR10	TERMINAL BLOCK	DR10		DR10	
DR11	CONTROL RELAY #6	DR11	LOW VOLTAGE TERMINAL BLOCK	DR11		DR11	
DR12	DEF-REST CONTROL	DR12	THERMAL OUTFLOW	DR12		DR12	
DR13	EMERGENCY HEAT RELAY	DR13	THREE WAY VALVE	DR13		DR13	
		DR14	TIME DELAY RELAY	DR14		DR14	
ERV	ENERGY RECOVERY VENTILATOR	ERV	TRANSFORMER	ERV		ERV	
F1	FREIZE T-STAT	F1	TERMINAL BLOCK	F1		F1	
DMO	EQUIPMENT GROUND	DMO	THERMAL OUTFLOW	DMO		DMO	
H1	HEAT STRIP #1	H1	THREE WAY VALVE	H1		H1	
H2	HEAT STRIP #2	H2	TIME DELAY RELAY	H2		H2	
H11	HEATER CONTACTOR #1	H11		H11		H11	
H12	HEATER CONTACTOR #2	H12		H12		H12	
H1C	HIGH PRESSURE CONTROL	H1C		H1C		H1C	
H1B	INDOOR BLOWER CAPACITOR	H1B		H1B		H1B	
H1R	INDOOR BLOWER MOTOR	H1R		H1R		H1R	
H1L	INDOOR BLOWER RELAY	H1L		H1L		H1L	
LAB	LOW AMBIENT BIPASS CONTROL	LAB		LAB		LAB	
L1C	LOW AMBIENT CONTROL	L1C		L1C		L1C	
LPC	LOW PRESSURE CONTROL	LPC		LPC		LPC	
LS	LIMIT SWITCH	LS		LS		LS	
DFC	OUTDOOR FAN CAPACITOR	DFC		DFC		DFC	
DFM	OUTDOOR FAN MOTOR	DFM		DFM		DFM	
PLUG #1	PLUG #1	PLUG #1		PLUG #1		PLUG #1	
RV	RETURN AIR THERMOSTAT	RV		RV		RV	
T	REVERSE VALVE SOLENOID	T		T		T	
TO	TRANSFORMER	TO		TO		TO	
TBL	TERMINAL BLOCK	TBL		TBL		TBL	
TOO	THERMAL OUTFLOW	TOO		TOO		TOO	
TW	THREE WAY VALVE	TW		TW		TW	
TDR	TIME DELAY RELAY	TDR		TDR		TDR	
L1B	LOW PRESSURE BIPASS	L1B		L1B		L1B	
L1C	LOW PRESSURE CONTROL	L1C		L1C		L1C	
L1D	LIMIT SWITCH	L1D		L1D		L1D	
L1E	OUTDOOR FAN CAPACITOR	L1E		L1E		L1E	
L1F	OUTDOOR FAN MOTOR	L1F		L1F		L1F	
L1G	PLUG #1	L1G		L1G		L1G	
L1H	RETURN AIR THERMOSTAT	L1H		L1H		L1H	
L1I	REV. VALVE SOLENOID	L1I		L1I		L1I	
L1J	TRANSFORMER	L1J		L1J		L1J	
L1K	TERMINAL BLOCK	L1K		L1K		L1K	
L1L	LOW VOLTAGE TERMINAL BLOCK	L1L		L1L		L1L	
L1M	THERMAL OUTFLOW	L1M		L1M		L1M	
L1N	THREE WAY VALVE	L1N		L1N		L1N	
L1O	TIME DELAY RELAY	L1O		L1O		L1O	

FACTORY STD.	FIELD	OPTIONAL	BLACK	BROWN	RED	ORANGE	Y	G	BL	W	WHITE	(S)	SLATE	Y	GREEN	PR	PURPLE	V	VIOLLET	P	PINK	L	LAVENDER	
			BK	BR	R	O																		

COLOR CODE	Y	G	BL	W	WHITE	(S)	SLATE	Y	GREEN	PR	PURPLE	V	VIOLLET	P	PINK	L	LAVENDER

USE COPPER CONDUCTORS ONLY SUITABLE FOR AT LEAST 75° C

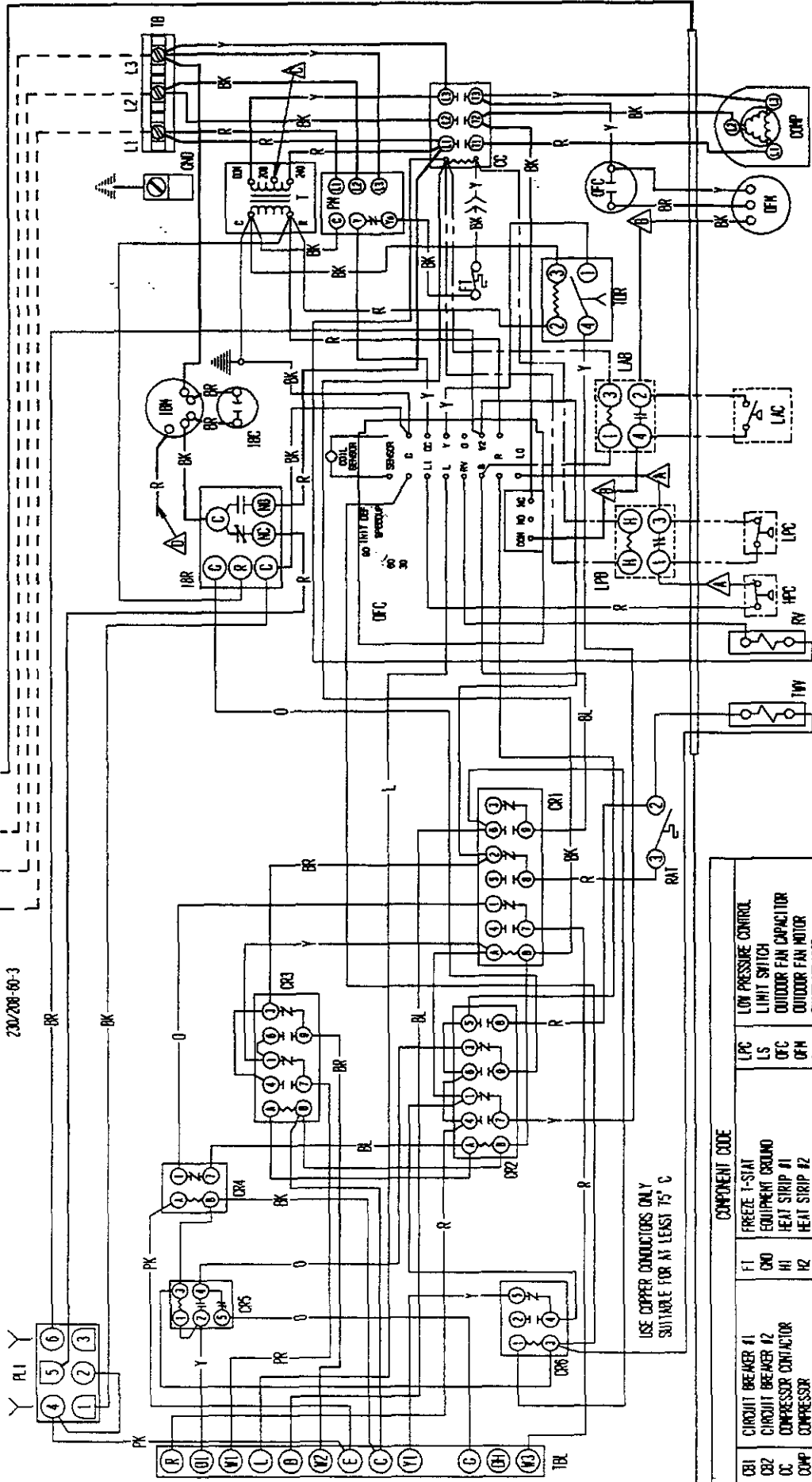
Labeled wires connect if no options used.

MOVE RED WIRE TO 208V TAP FOR 208V OPERATION

RED (LOW) BLACK (HIGH) WHERE APPLICABLE

BARD MFG. CO. 4096-220 D

230/208-60-3

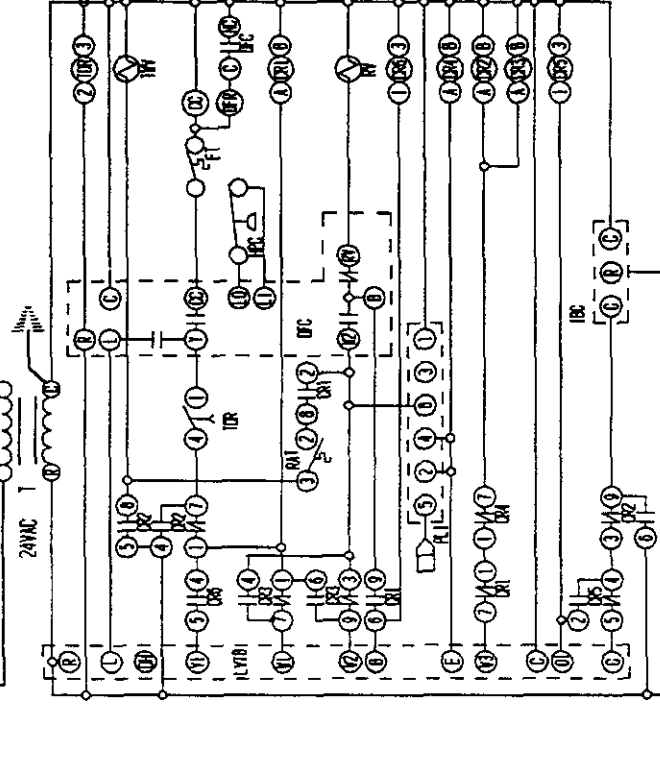
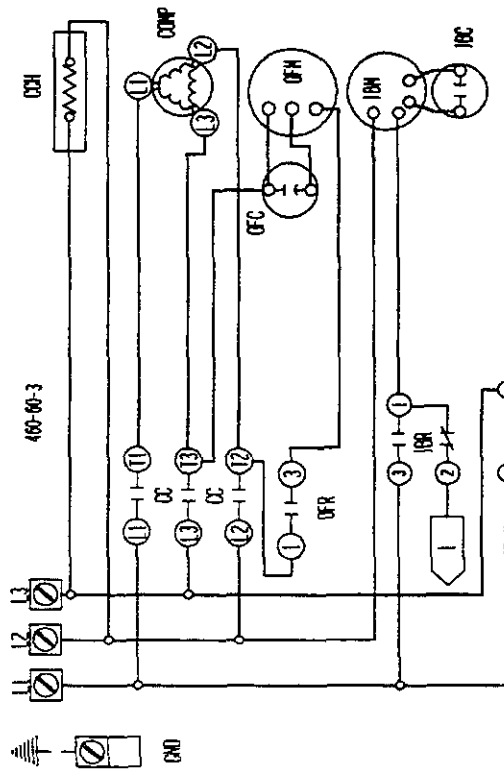
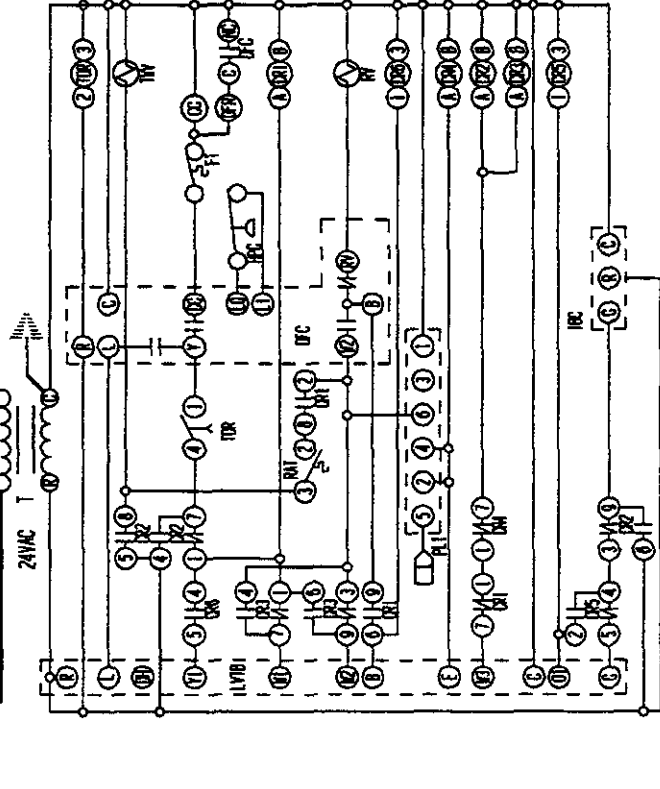
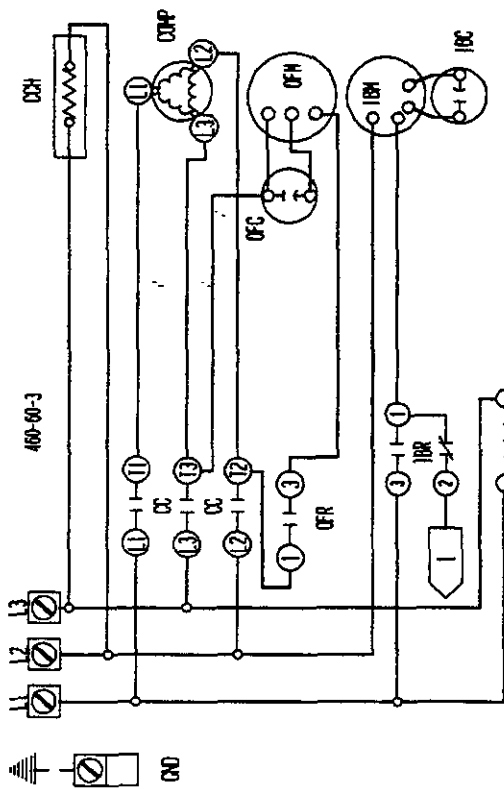


COMPONENT CODE	COMPONENT
CB1	CIRCUIT BREAKER #1
CB2	CIRCUIT BREAKER #2
CC	COMPRESSOR CONTACTOR
COMP	COMPRESSOR
CR1	CONTROL RELAY #1
CR2	CONTROL RELAY #2
CR3	CONTROL RELAY #3
CR4	CONTROL RELAY #4
CR5	CONTROL RELAY #5
CR6	CONTROL RELAY #6
DFC	DEFROST CONTROL
DFR	EMERGENCY HEAT RELAY
ERV	ENERGY RECOVERY VENTILATOR
FT	FREIZE T-STAT
CG	EQUIPMENT GROUND
H1	HEAT STRIP #1
H2	HEAT STRIP #2
H3	HEATER CONTACTOR #1
H4	HEATER CONTACTOR #2
HPC	HIGH PRESSURE CONTROL
IBC	INDOOR BLOWER CAPACITOR
IBN	INDOOR BLOWER MOTOR
IBR	INDOOR BLOWER RELAY
LAB	LOW AMBIENT BYPASS CONTROL
LAC	LOW AMBIENT CONTROL
LPC	LOW PRESSURE CONTROL
LS	LIMIT SWITCH
OFC	OUTDOOR FAN CAPACITOR
OFM	OUTDOOR FAN MOTOR
PK	PHASE MONITOR
PL1	PLUG #1
RAT	RETURN AIR THERMOSTAT
RV	REV. VALVE SLEENOID
T	TRANSFORMER
TB	TERMINAL BLOCK
TBL	LOW VOLTAGE TERMINAL BLOCK
TD	THERMAL CUTOFF
TDU	THREE WAY VALVE
TV	TIME DELAY RELAY
TOR	TRANSFORMER

▲, ▲ Labeled wires connect if no options used. ▲ MOVE RED WIRE TO 208V TAP FOR 208V OPERATION ▲ RED (LOW) BLACK (HIGH) WERE APPLICABLE

FACTORY STD.	FIELD	OPTIONAL	COLOR CODE	YAN	PINK	LAVENDER
HIGH VOLTAGE	---	---	BK	Y	PK	L
LOW VOLTAGE	---	---	BR	C	PR	BL
ACCESSORY	---	---	R	BL	CR	SL
			O	W	CS	SL

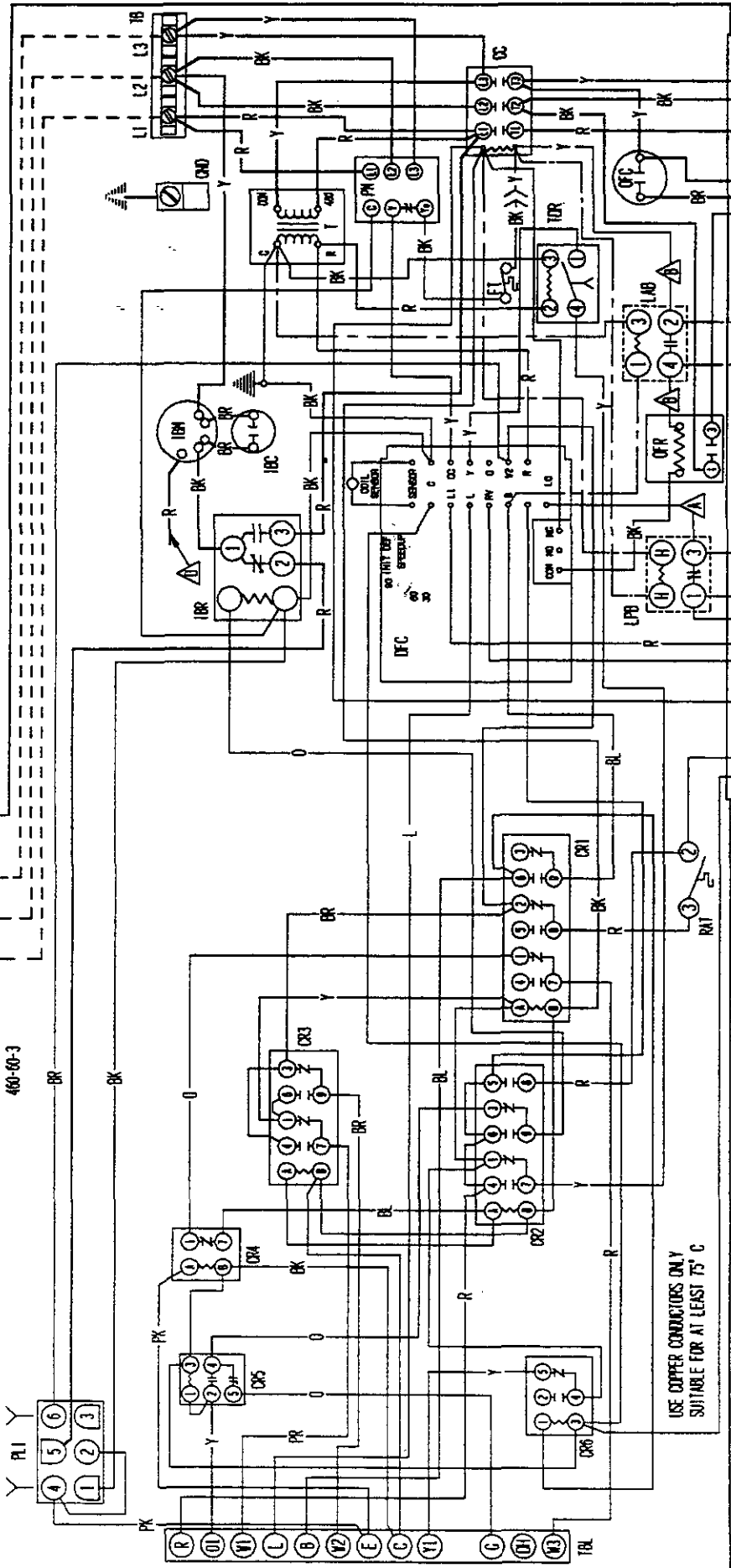
BARB MFG. CO. 4096-222 D



4096-321 A

4096-321 A

460-60-3



COMPONENT CODE	
CB1	CIRCUIT BREAKER #1
CB2	CIRCUIT BREAKER #2
CC	COMPRESSOR CONTACTOR
CD3	COMPRESSOR DRAWDOWN HEATER
COMP	COMPRESSOR
CR1	CONTROL RELAY #1
CR2	CONTROL RELAY #2
CR3	CONTROL RELAY #3
CR4	CONTROL RELAY #4
CR5	CONTROL RELAY #5
CR6	CONTROL RELAY #6
DCB	DEFROST CONTROL BOARD
DR	ENERGIZING HEAT RELAY
ERV	ENERGY RECOVERY VENTILATOR
FT	FREIZE T-STAT
GRD	EQUIPMENT GROUND
HS1	HEAT STRIP #1
HS2	HEAT STRIP #2
HC1	HEATER CONTACTOR #1
HC2	HEATER CONTACTOR #2
HPC	HIGH PRESSURE CONTROL
IBC	INDOOR BLOWER CAPACITOR
IBH	INDOOR BLOWER MOTOR
IBR	INDOOR BLOWER RELAY
LAB	LOW AMBIENT BYPASS CONTROL
LAC	LOW AMBIENT CONTROL
LPB	LOW PRESSURE BYPASS
LPC	LOW PRESSURE CONTROL
LS	LIMIT SWITCH
OFC	OUTDOOR FAN CAPACITOR
OFH	OUTDOOR FAN MOTOR
OFR	OUTDOOR FAN RELAY
PL1	PLUS #1
RAT	RETURN AIR THERMOSTAT
RV	REV. VALVE SOLENOID
T	TRANSFORMER
TB	TERMINAL BLOCK
TBL	TERMINAL BLOCK
TCD	THERMAL CUTOFF
TIV	THREE WAY VALVE
TOR	TIME RELAY RELAY

▲	LABELLED WIRES CONNECT IF NO OPTIONS USED.
▲	FOR LOW SPEED CONNECT BLACK AND ORANGE WIRES TOGETHER AND INSULATE.
▲	CONNECT RED WIRE TO TERMINAL 1 OF IBC.

FACTORY STD.	FIELD	OPTIONAL
HIGH VOLTAGE	---	---
LOW VOLTAGE	---	---
ACCESSORY	---	---

BK	BLACK	Y	YELLOW	V	VIOLET	T	TAN
BR	BROWN	C	GREEN	(PR)	PURPLE	PK	PINK
R	RED	BL	BLUE	GY	GRAY	L	LAGER
D	ORANGE	W	WHITE	(S)	SLATE		

USE COPPER CONDUCTORS ONLY
SUITABLE FOR AT LEAST 75° C

BARD MFG. CO.
4096-322 D

