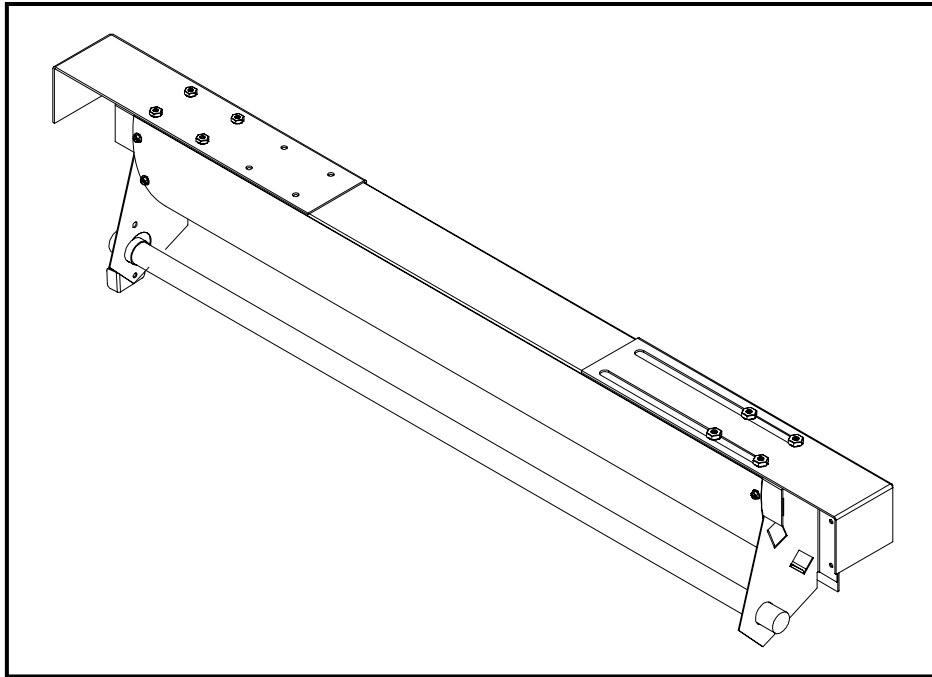


WALL MOUNT SERIES UV LIGHT PACKAGE

Model: WUVCLP-A & WUVCLP-C



The WUVCLP light package should only be installed by a trained heating and air conditioning technician. These instructions are not intended to be a step-by-step procedure that the mechanically inclined owner can use to install the WUVCLP light package. Rather these instructions serve as a guide to the technician installing the WUVCLP light package

READ THESE INSTRUCTIONS CAREFULLY AND COMPLETELY BEFORE PROCEEDING WITH THE INSTALLATION

LEAVE THE INSTALLATION INSTRUCTIONS WITH THE OWNER/OPERATOR OF THE DEVICE
AFTER OPENING THE CARTON, UNPACK AND INSPECT THE UNIT AND LAMP FOR DAMAGE.
DO NOT INSTALL THIS UNIT IF ANY DAMAGE IS NOTICEABLE.

SAFETY CONSIDERATIONS



WARNING: *Never expose eyes or skin to UVC light from any source.*

- Looking directly at the UVC light may cause permanent eye damage or blindness.
- **Never operate the UV Air Purifying System out of the plenum.**



WARNING: *UV light will break down plastic materials not rated for UV exposure:
(Examples: wire insulation, flex duct, drain pans and humidifiers)*

- The unit must be mounted at least 30" from the above stated type of materials.
- If it is necessary to mount the unit in direct line of site of these types of materials, they must be shielded with aluminum foil, aluminum foil tape, or sheet metal.



Bard Manufacturing Company
Bryan, Ohio 43516

Since 1914...Moving ahead, just as planned.

Manual No.: 2100-432
Supercedes:
File: Vol III Tab 19
Date: 2/14/03

Table of Contents

	Page No.
General	
Unpacking	Page 1
Description	Page 1
Installation	
Basic Installation	Page 3
Wiring	
230 Volt Single Phase and Three Phase Units Only	Page 7
460 Volt Three Phase Units Only	Page 8
Checkout	Page 10
Parts List	Page 10
Figures	
Figure 1 Bracket Adjustment	Page 5
Figure 2 Removal of Exterior Panels	Page 6
Figure 3 Mounting Hole Locations	Page 6
Figure 4 Right Side Bracket Installation	Page 6
Figure 5 Left Side Bracket Location	Page 7
Figure 6A&B 240 V Conduit Routing	Page 7
Figure 7A&B Harness Wiring	Page 8
Figure 8 460 V Transformer Location	Page 8
Figure 9 460 V Conduit Routing	Page 9
Figure 10 Wiring Diagram	Page 11
Tables	
Table 1 Compatibility Charts	Page 4
Table 2 Wall Mount Unit Widths	Page 5

I. GENERAL

This product is not sold as a medical device and is not for the purpose of diagnosis of any disease or condition nor for use in the mitigation, treatment, or prevention of any disease or condition.

UNPACKING

The WUVCLP light package is shipped in one carton, which contains the electrical wires, UV light assembly, UV light bulb, 4 mounting screws, alcohol wipe, transformer for the 460 volt models, and installation instructions.

Upon receipt of the carton be sure to compare the model number found on the shipping label with the accessory identification information on the ordering and shipping document to verify that the correct accessory has been shipped.

Before signing the freight bill, inspect the carton of each ultraviolet light assembly as it is received to verify that all the ordered items have been received and that no damage has occurred to any of the items during shipping. Note any shortages or damage on all copies of the freight bill. The receiving party must contact the last carrier immediately, preferably in writing, requesting inspection by the carrier's agent. Concealed damage of equipment not discovered until after unloading must be reported to the carrier within 15 days of its receipt.

DESCRIPTION

The WUVCLP-A (208/230 volt) and WUVCLP-C (460 volt) ultraviolet Light air purifiers are designed to be installed in all 1-1/2 through 6 ton **Bard** wall mounted products. They are electrical ultraviolet lights designed to reduce indoor air contamination and prevent growth of new microorganisms (mold and bacteria).

Specifications:

Electrical: 60 watts
Bulb Size: 28" length
Application: WA18 through WA72
 WH18 through WH61
 WH261 through WH611
 SH261 through SH611

Models:

The WUVCLP-A is compatible with all 230/208 volt single and three phase, Bard 1-1/2 through 6 ton wall mount units.

The WUVCLP-C is compatible with all 460 volt three phase, Bard 1-1/2 through 6 ton wall mount units.

Compatibility Chart:

Table 1				
WUVCLP-A	WA18*-A	WH18*-A	WH26*-A	SH26*-A
	WA24*-A	WH24*-A	WH31*-A	SH31*-A
	WA30*-A	WH30*-A	WH38*-A	SH37*-A
	WA37*-A	WH36*-A	WH43*-A	SH43*-A
	WA42*-A	WH42*-A	WH49*-A	SH49*-A
	WA48*-A	WH48*-A	WH61*-A	SH61*-A
	WA60*-A	WH60*-A		
	WA70*-A			
WUVCLP-A	WA24*-B	WH18*-B	WH26*-B	SH26*-B
	WA30*-B	WH24*-B	WH31*-B	SH31*-B
	WA37*-B	WH30*-B	WH38*-B	SH37*-B
	WA42*-B	WH36*-B	WH43*-B	SH43*-B
	WA48*-B	WH42*-B	WH49*-B	SH49*-B
	WA60*-B	WH48*-B	WH61*-B	SH61*-B
	WA70*-B	WH60*-B		
	WA72*-B			
WUVCLP-C	WA30*-C	WH18*-C	WH26*-C	SH26*-C
	WA37*-C	WH24*-C	WH31*-C	SH31*-C
	WA42*-C	WH30*-C	WH38*-C	SH37*-C
	WA48*-C	WH36*-C	WH43*-C	SH43*-C
	WA60*-C	WH42*-C	WH49*-C	SH49*-C
	WA70*-C	WH48*-C	WH61*-C	SH61*-C
	WA72*-C	WH60*-C		
* Indicates design revision of basic model.				

Features:

- One model fits all Bard Wall Mount Air Conditioner and Heat Pump cabinet sizes from 1-1/2 ton through 6 ton
- UVC bulb with 60 watt output. Fits both –A (230) and –C (460) models.
- Integral safety switch-shuts light off when upper access door is opened
- Bulb Life – 9000 Hours
 - Recommended continuous operation for maximum bulb and ballast life
 - Recommended annual bulb replacement for maximum UV effectiveness

II. INSTALLATION

BASIC INSTALLATION

1. Before doing any service work, the unit disconnect must be turned off and locked to prevent injury or death due to electrical shock or contact with moving parts. The thermostat must also be turned off.
2. Unpack the ultraviolet light kit, accessories, and Installation Instructions.
3. On the top of the UV light kit there is an adjustable bracket on the left and right side of the housing (see figure 1). Loosen the screws to right bracket and move the bracket to the specified location using Table 2 and the labels on the back of the UV light assembly. Then tighten the screws. Set aside.

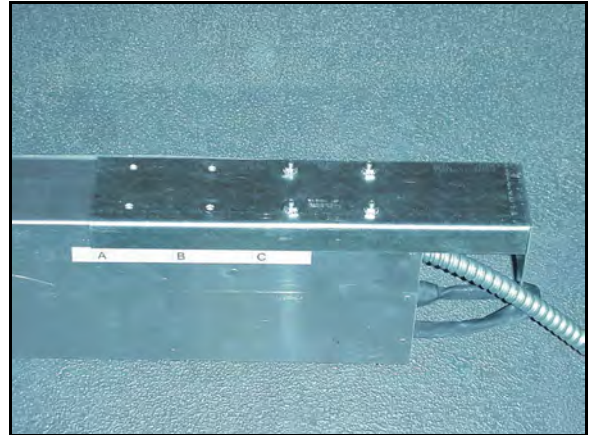


Figure 1

Table 2			
Wall Mount Unit	UV Light width	Bracket Position	Cabinet Size
WA182, WA242, WH183, WH242, WL182, WL242	33-7/8	A	2
WA302, WA372, WH301, WH361 WL302, WL372, WH311, SH311,WH261, SH261	37-7/8	B	3
WA423, WA484, WH421, WH483, WL423, WL484, WH381, WH431, WH491, SH381, SH431, SH491, WA602, WH602, WL602	41-7/8	C	5
WA701, WA721, , WL701, WH611, SH611	41-7/8	C	6

4. Remove the exterior blower access panel from the wall mount unit and set it aside. (See Figure 2)
5. Using the top screw hole for the blower door panel as a starting point, drill two $\frac{1}{4}$ inch holes on each side of the unit to secure the mounting brackets of the WUVCLP. See Figure 3 for hole locations.

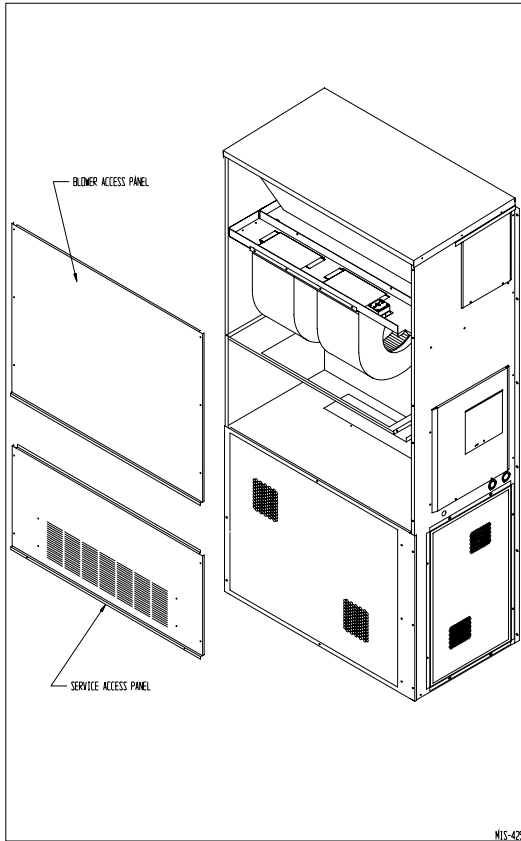


Figure 2

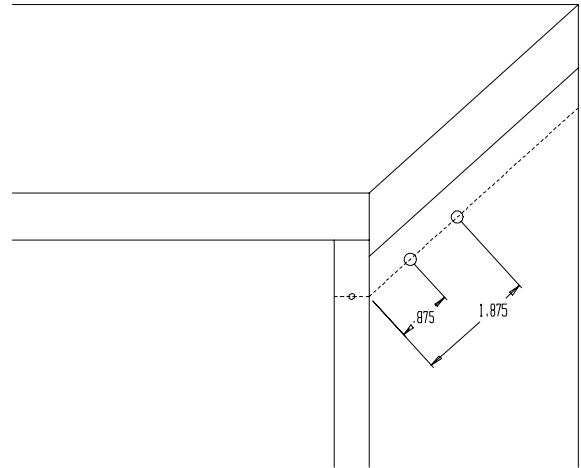


Figure 3

6. Place the WUVCLP light assembly in the unit 1" below the top of the unit. Insert two self drilling screws on the right side of the unit and into the right side mounting bracket of the WUVCLP light assembly. Use the pilot holes in the mounting brackets for alignment. (See Figure 4)

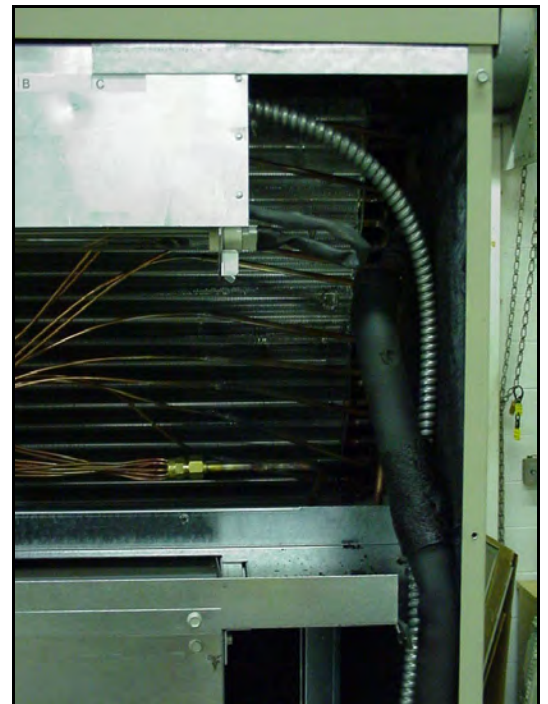


Figure 4

7. Slide the left bracket tight against the left side of the unit. Insert two self drilling screws on the left side of the unit and into the left side mounting bracket of the WUVCLP light assembly. Use the pilot holes in the mounting brackets for alignment. Tighten the ¼ in screw on the left side bracket to hold in place. (See Figure 5)
8. Unpack the WUVCLP light bulb and insert the plug end through the hole closest to the wire connection. Then insert the other end of the bulb through the other end bracket. When the bulb is in place use the clamp to secure the bulb and connect the wire plug to the light bulb.
9. Use the alcohol wipe to clean any oil or dirt deposits off the UV light bulb. *Oils from human skin will reduce the effectiveness of the UV light bulb*



Figure 5

WIRING

230/208 Volt Single Phase and Three Phase Units Only

1. For 230/208 volt single phase and three phase units run the flexible conduit and wires down through the blower partition in the same opening that the copper tubing goes through. Use wire ties to secure the conduit to the suction line. See Figure 6A & 6B.



Figure 6A

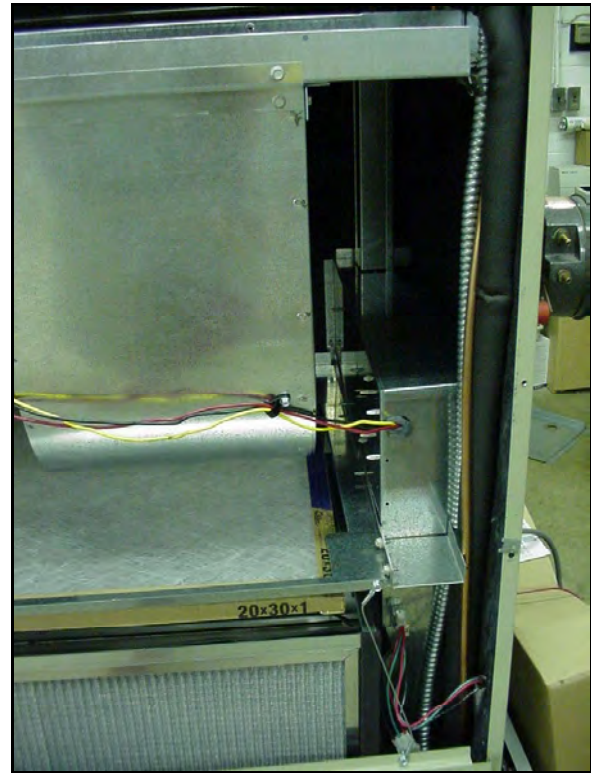


Figure 6B

- Remove outer and inner control panel covers. Install the 3 pin accessory plug from the parts bag into the control panel if not already equipped. See figure 7A for side installation on the 5 or 6 ton cabinet size. See figure 7B for back installation on the 2 and 3 ton cabinet size.

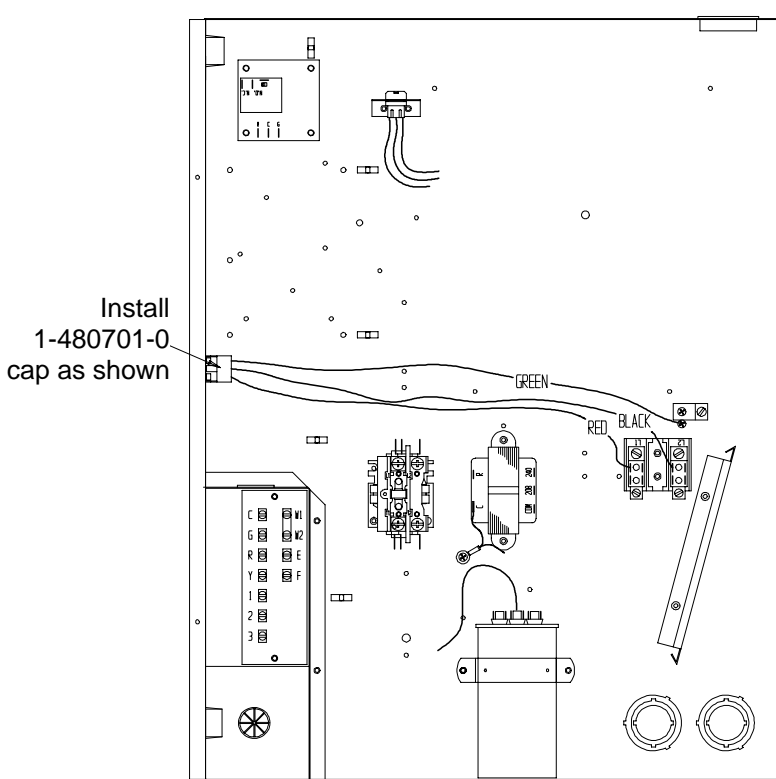


Figure 7A

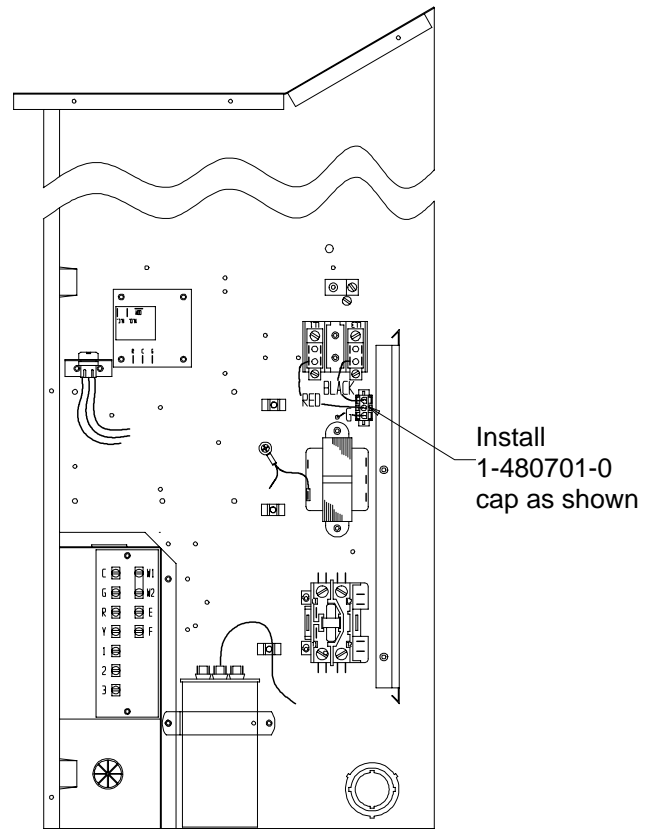


Figure 7B

- Plug the WUVCLP light into the 3 pin accessory plug just installed. Plug located on the side or back of the control panel.

460 Volt Three Phase Only

- Remove the transformer cover and set aside. Place the transformer assembly on the left side of the blower partition. Remove the back screw holding the blower partition to the side angle. Place the back left corner of the transformer box over this hole and reinstall screw. Use an additional self-drilling screw to secure the front right corner of the transformer box. (See Figure 8)
- Run the flexible conduit across the back of the blower partition and down through the blower partition in the same opening that the copper tubing goes through. Use wire ties to secure the conduit to the suction line. (See Figure 6B)

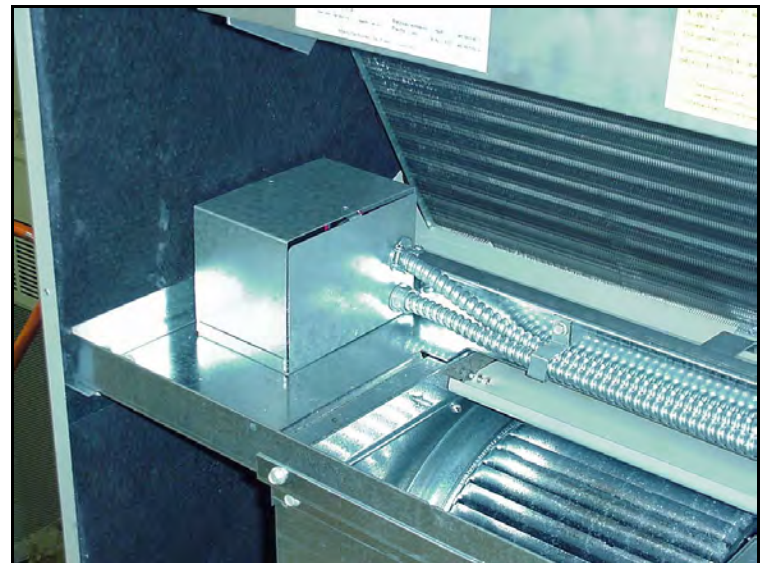


Figure 8

3. Remove outer and inner control panel covers. Install the 3 pin accessory plug from the parts bag into the control panel if not already equipped. See figure 6A for side installation the 5 or 6 ton cabinet size. See figure 6B for back installation on the 2 and 3 ton cabinet size.
4. Plug the WUVCLP light into the 3 pin accessory plug just installed. Plug located on the side or back of the control panel. Secure mounting bracket to control panel with screws provided.
5. Route the flexible conduit from the light across the blower partition and into the transformer box. Secure the conduit to the box with the fitting supplied. (See Figure 9)

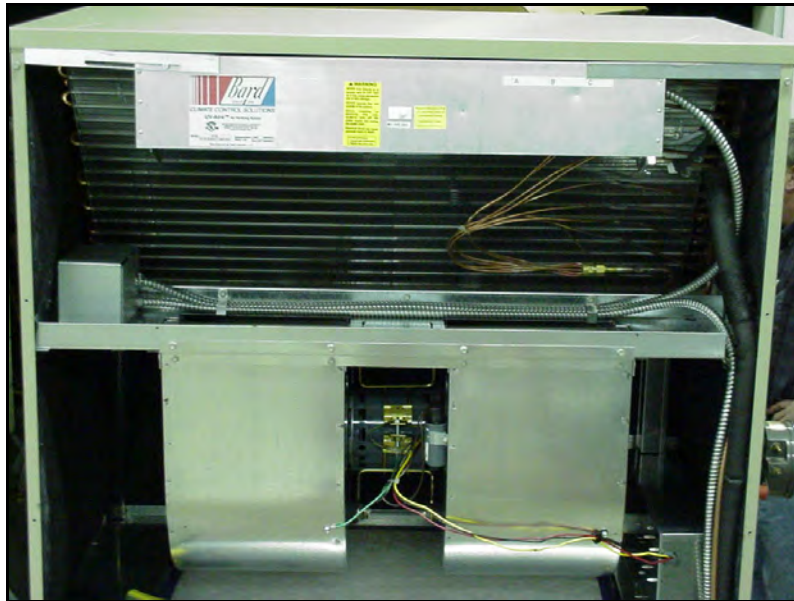


Figure 9

6. Remove the nut securing the transformer foot to the box and connect the ground wire to this bolt. Reinstall the nut. Connect the black wire from the UV light to one of the black transformer secondary wires with the wire nut provided. Connect the red wire from the UV light to the other transformer secondary wire with the wire nut provided.
7. Place the transformer protective shield over top of the transformer and wires and fasten into place. (See Figure 8)
8. Remove 2 screws holding the back of the blower partition to the drain pan. Install two metal conduit clips supplied to hold the flexible conduit in place along the back of the control panel. Reinstall the screws. (See Figure 9) **Caution:** Do not leave wires exposed to the UV light or the insulation will decay thus causing an electrical hazard.



WARNING: *Hazard of Electric Shock*

- Electric shock can cause serious injury or death
- Disconnect power before servicing the light



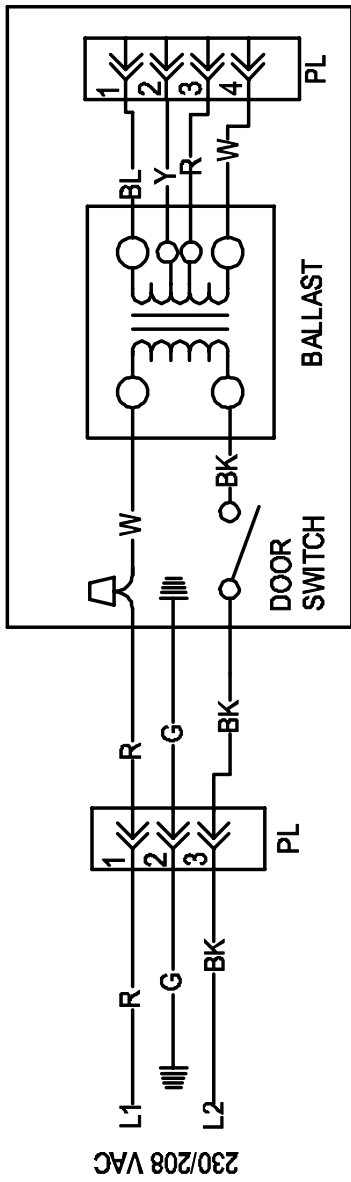
WARNING: *Hazard of Ultraviolet Type C Light*

- Looking directly at the UVC light may cause permanent eye damage or blindness.
- Disconnect power before servicing the light

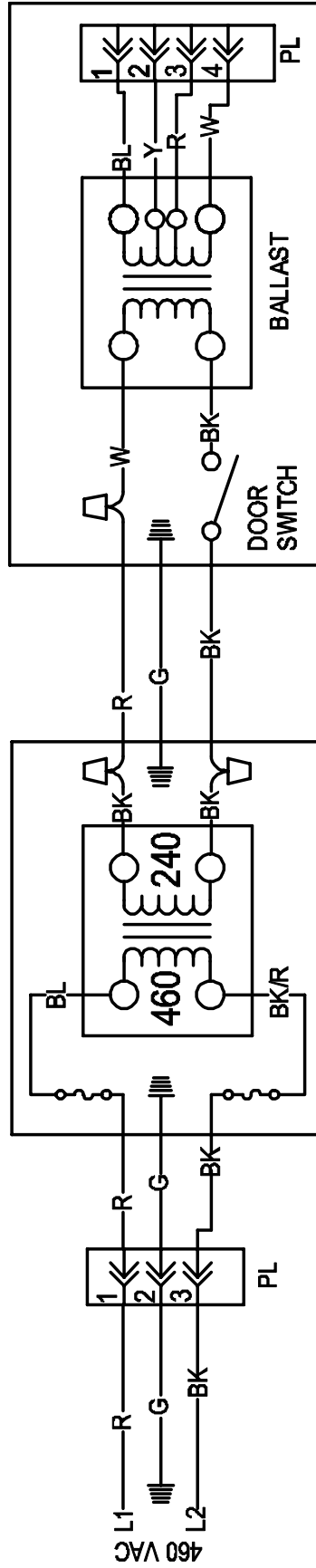
III. PARTS LIST

Part Number	Part Description	WUVCLP-A	WUVCLP-C
8611-105	Bulb	X	X
8407-057	Ballast	X	X
8406-110	Switch	X	X
8407-056	Transformer		X
8614-050	Fuse Holder		2
8614-051	Fuse		2

IV. WIRING DIAGRAM



LIGHT ASSEMBLY



TRANSFORMER ASSEMBLY

LIGHT ASSEMBLY