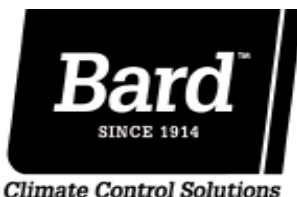

INSTALLATION INSTRUCTIONS

ELECTRIC HEAT PACKAGES

Models:

EHS03A-A05B	EHS04A-A08B	EHS05H-B06B	EHT05H-A10B
EHS03A-A08B	EHS04A-A15B	EHS05H-B09B	EHT05H-A15B
EHS03A-A10B	EHS04A-B09B	EHS05H-B15B	EHT05H-B06B
EHS03A-A15B	EHS04A-B15B	EHS05H-C06	EHT05H-B09B
EHS03A-B06B	EHS04A-C06	EHS05H-C09	EHT06H-A04B
EHS03A-B09B	EHS04A-C09	EHS05H-C15	EHT06H-A05B
EHS03A-B15B	EHS04A-C15	EHSH31-A04	EHT06H-A08B
EHS03A-C06	EHS04H-A04B	EHSH31-A08	EHT06H-A10B
EHS03A-C09	EHS04H-A05B	EHSH31-B06	EHT06H-A15B
EHS03A-C15	EHS04H-A08B	EHSH31-C06	EHT06H-A20B
EHS03H-A05B	EHS04H-A10B	EHT02H-B06B	EHT06H-B06B
EHS03H-A08B	EHS04H-A15B	EHT03H-AF8B	EHT06H-B09B
EHS03H-A10B	EHS05A-A05B	EHT03H-AS8B	EHT06H-B15B
EHS03H-A15B	EHS05A-A10B	EHT03H-A04B	EHT06H-B18B
EHS03H-B09B	EHS05A-A15B	EHT03H-B06B	EHT06H-C06
EHS03H-B15B	EHS05H-A05B	EHT03H-B09B	EHT06H-C09
EHS03H-C09	EHS05H-A10B	EHT03H-C06	EHT06H-C15
EHS03H-C15	EHS05H-A15B	EHT03H-C09	EHT06H-C18
EHS04A-A05B	EHS05H-A20B	EHT05H-A08B	

For Use With S**H, T**S, T**H, W**A and W**H Series
Wall-Mounted Air Conditioners and Heat Pumps
(See Tables 1 A – 1F for Model Usage Matrix)



Bard Manufacturing Company, Inc.
Bryan, Ohio 43506
www.bardhvac.com

Manual: 2100-528C
Supersedes: 2100-528B
File: Tab 18
Date: 09-19-14

CONTENTS

Model Nomenclature Legend	3
Description.....	3
Important	3
Shipping Damage.....	3
Unpacking the Electric Heat Package	3
Wiring Main Power	10
Installation	10

Figures

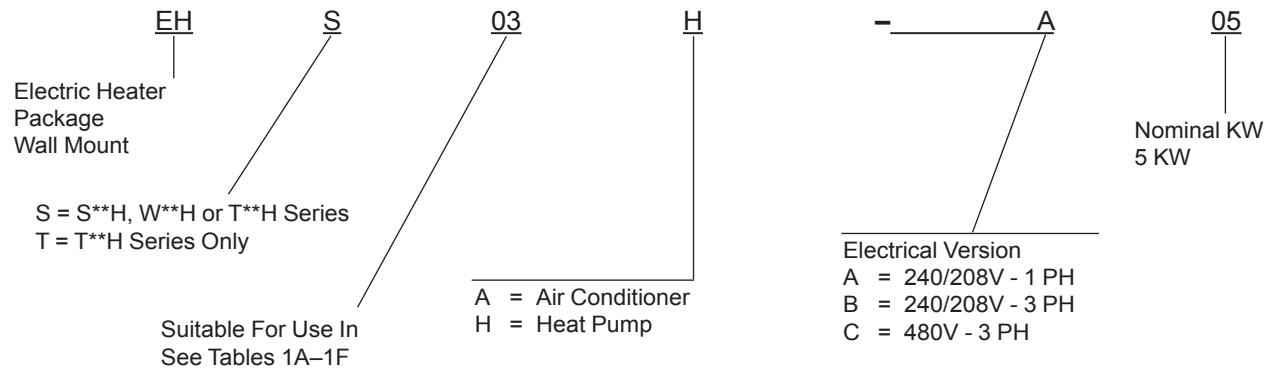
Figure 1A Wiring - Main Power.....	9
Figure 1B Wiring - Main Power.....	9
Figure 2 Electric Heat Access Panel and Control Panel Cover Locations.....	11
Figure 3 Screw Mounting Holes.....	11
Figure 4 A Through C.....	14
Figure 4D Install Heat Package w/Two Heat Strips..	15
Figure 5 Installing Heater Base and Connecting...	16
Figure 6 Serial Plate Showing Approved Heater Packages	17

Tables

Table 1A Heater Usage Matrix 240/220V 1 PH.....	4
Table 1B Heater Usage Matrix 240/220V, 230/208V 3 PH	5
Table 1C Heater Usage Matrix 415/460V 3 PH..	5
Table 1D Heater Usage Matrix 240/220V 1 PH..	6
Table 1E Heater Usage Matrix 240/220V, 230/208V 3 PH	7
Table 1F Heater Usage Matrix 415/460V 3 PH..	7
Table 2 Electrical Data and BTU Output (HP)..	8
Table 3A References to Figures 4 & 5 by Model Number	12
Table 3B References to Figures 4 & 5 by Model Number	13

BARD MANUFACTURING COMPANY, INC.
BRYAN, OHIO 43506

MODEL NOMENCLATURE LEGEND



DESCRIPTION

The electric heater packages listed in this Manual are field installable heater packages suitable for use with Bard Wall Mount air conditioners and heat pumps. The packages consist of the electric heat strip, the heater control base which includes the heat contactors, and circuit breaker or pull disconnects, installation instructions and wiring diagrams. See Table 1 for nominal electrical data and BTU output. **Before installation, check unit serial plate to insure the heater package model that you intend to install is listed a heater package that is suitable for use with the Bard wall mount hi boy unit.** See Figure 6.

IMPORTANT

The equipment covered in this manual is to be installed by trained, experienced service and installation technicians.

SHIPPING DAMAGE

Upon receipt of equipment, the carton should be checked for external signs of shipping damage. If damage is found, the receiving party must contact the last carrier immediately, preferably in writing, requesting inspection by the carrier's agent.

UNPACKING THE ELECTRIC HEAT PACKAGE

Remove the heat package from the shipping carton. The heat package must consist of the following:

1. Basic heater
2. Electric heat control base and wiring.
3. Installation instructions.
4. Wiring diagram (2), one to be applied to unit.
5. Adhesive label to remark serial plate to indicate new model number. This is attached to the front of these instructions.

**TABLE 1A
APPROVED HEATER USAGE MATRIX 240/220V – 1 PHASE**

	S26H1-A, W26H1-A	S31H1-A, W31H1-A	S38H1-A, W38H1-A	S43H1-A, W43H1-A	S49H1-A, W49H1-A	S61H1-A, W61H1-A	W38A1-A	W49A1-A	W61A1-A	T36H1-A, T42H1-A	T36S1-A
EHS31-A04	X	X								X	X
EHS31-A08	X	X									
EHS03H-A05B			X								
EHS03H-A08B			X								
EHS03H-A10B			X								
EHS03H-A15B			X								
EHS04H-A04B				X	X						
EHS04H-A05B				X	X						
EHS04H-A08B				X	X						
EHS04H-A10B				X	X						
EHS04H-A15B				X	X						
EHS05H-A05B						X					
EHS05H-A10B						X					
EHS05H-A15B						X					
EHS05H-A20B						X					
EHS03A-A05B							X				
EHS03A-A08B							X				
EHS03A-A10B							X	X			
EHS03A-A15B							X				
EHS04A-A05B								X			
EHS04A-A08B								X	X		
EHS04A-A15B								X			
EHS05A-A05B									X		
EHS05A-A10B									X		
EHS05A-A15B									X		

 **WARNING**

Only use factory provided heaters in approved combinations of heater models to unit models as shown in table 1A – 1F. Failure to use approved combinations as shown or modification to heaters could result in fire causing damage, bodily injury or death.

TABLE 1B
APPROVED HEATER USAGE MATRIX 240/220V, 230/208V – 3 PHASE

	S26H1-B, W26H1-B	S31H1-B, W31H1-B	S38H1-B, W38H1-B	S43H1-B, W43H1-B	S49H1-B, W49H1-B	S61H1-B, W61H1-B	W38A1-B	W49A1-B	W61A1-B	T36H1-B	T36S1-B	T42H1-B
EHS31-B06	X	X										
EHS03H-B09B			X									
EHS03H-B15B			X							X	X	
EHS05H-B06B			X	X	X							X
EHS05H-B09B				X	X	X						X
EHS05H-B15B				X	X	X						X
EHS03A-B06B							X	X				
EHS03A-B09B							X					
EHS03A-B15B							X					
EHS04A-B09B								X	X			
EHS04A-B15B								X	X			

TABLE 1C
APPROVED HEATER USAGE MATRIX 415/460V – 3 PHASE

	S26H1-C, W26H1-C	S31H1-C, W31H1-C	S38H1-C, W38H1-C	S43H1-C, W43H1-C	S49H1-C, W49H1-C	S61H1-C, W61H1-C	W38A1-C	W49A1-C	W61A1-C	T36H1-C	T36S1-C	T42H1-C
EHS31-C06	X	X										
EHS03H-C09			X							X	X	
EHS03H-C15			X							X	X	
EHS05H-C06			X	X	X					X	X	X
EHS05H-C09				X	X	X						X
EHS05H-C15				X	X	X						X
EHS03A-C06							X					
EHS03A-C09							X					
EHS03A-C15							X					
EHS04A-C06								X	X			
EHS04A-C09								X				
EHS04A-C15								X				

**TABLE 1D
APPROVED HEATER USAGE MATRIX 240/220V – 1 PHASE**

	T24H1-A	T30H1-A	T36H1-A	T42H1-A	T48H1-A	T60H1-A	T36S1-A	T48S1-A	T60S1-A
EHT03H-AF8B	X	X							
EHT03H-AS8B	X	X							
EHT03H-A04B	X	X							
EHT05H-A08B			X	X			X		
EHT05H-A10B			X	X			X		
EHT05H-A15B			X	X			X		
EHT06H-A04B					X			X	
EHT06H-A05B					X	X		X	X
EHT06H-A08B					X			X	
EHT06H-A10B					X	X		X	X
EHT06H-A15B					X	X		X	X
EHT06H-A20B						X			

 **WARNING**

Only use factory provided heaters in approved combinations of heater models to unit models as shown in Tables 1A – 1F. Failure to use approved combinations as shown or modification to heaters could result in fire causing damage, bodily injury or death.

TABLE 1E
APPROVED HEATER USAGE MATRIX 240/220V, 230/208V – 3 PHASE

	T24H1-B	T30H1-B	T36H1-B	T48H1-B	T60H1-B	T36S1-B	T48S1-B	T60S1-B
EHT02H-B06B	X							
EHT03H-B06B		X						
EHT03H-B09B	X	X						
EHT05H-B06B			X			X		
EHT05H-B09B			X			X		
EHT06H-B06B				X			X	
EHT06H-B09B				X	X		X	X
EHT06H-B15B				X	X		X	X
EHT06H-B18B					X			X

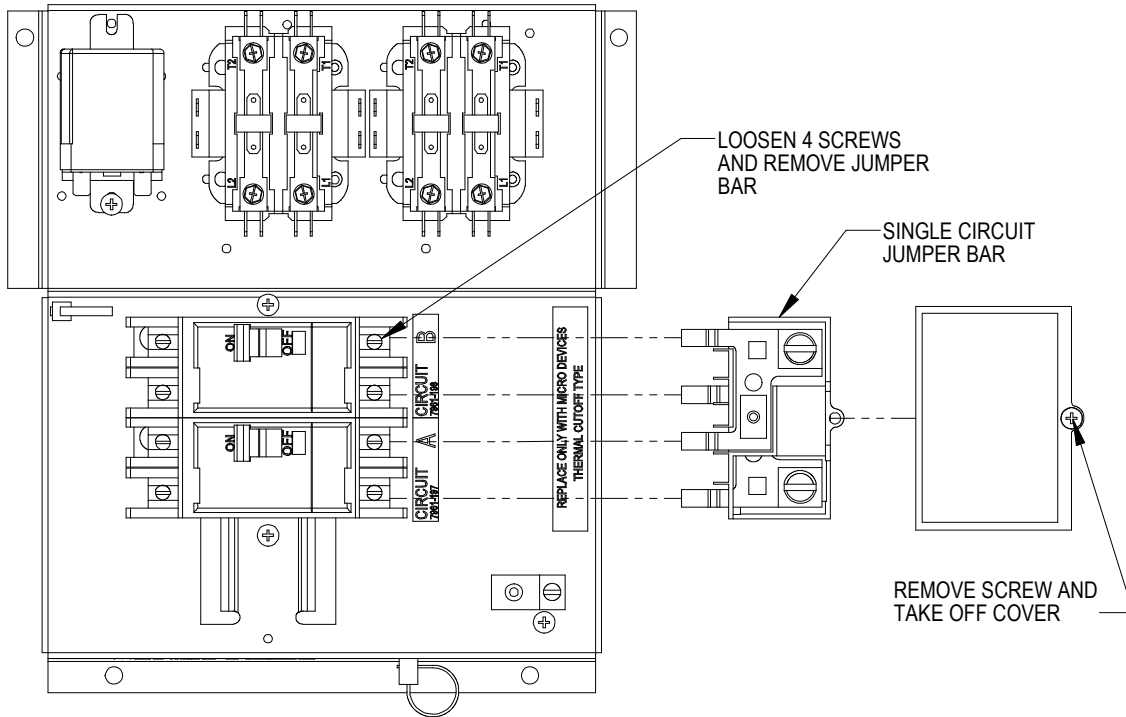
TABLE 1F
APPROVED HEATER USAGE MATRIX 415/460V – 3 PHASE

	T24H1-C	T30H1-C	T48H1-C	T60H1-C	T48S1-C	T60S1-C
EHT03H-C06	X	X				
EHT03H-C09	X	X				
EHT06H-C06			X	X	X	X
EHT06H-C09			X	X	X	X
EHT06H-C15			X	X	X	X
EHT06H-C18				X		

**TABLE 2
ELECTRICAL DATA AND BTU OUTPUT (HP)**

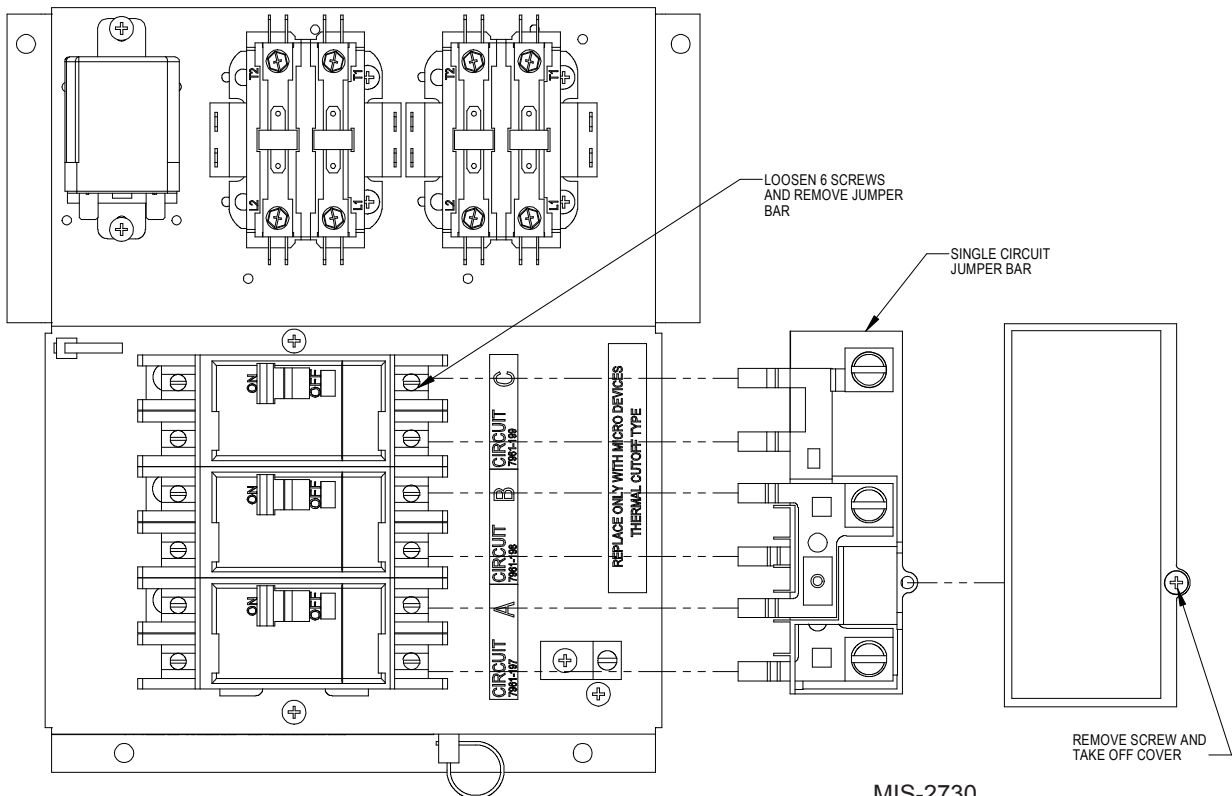
Heater Package Model	Volts	Phase	Electrical Rating		BTU
			KW	A	
-A04	240/208	1	4 / 3	16.7/14.4	13,650/10,240
-A05	240/208	1	5 / 3.75	20.8/18.1	17,065/12,800
-A08	240/208	1	8 / 6	33.3/28.8	27,300/20,475
-A10	240/208	1	10 / 7.5	41.6/36.2	34,130/25,600
-A15	240/208	1	15 / 11.25	62.4/54.1	51,195/38,400
-A20	240/208	1	20 / 15	83.2/72.1	68,260/51,200
-B06	240/208	3	6 / 4.5	14.4/12.5	20,475/15,350
-B09	240/208	3	9 / 6.75	21.7/18.7	30,715/23,035
-B15	240/208	3	15 / 11.25	36.2/31.2	51,195/38,400
-B18	240/208	3	18 / 13.5	43.3/37.5	61,430/46,070
-C06	480	3	6	7	20,475/15,350
-C09	480	3	9	10.8	30,715/23,035
-C15	480	3	15	18	51,195/38,400
-C18	480	3	18	21.6	61,430/46,070

**FIGURE 1A
WIRING – MAIN POWER**



MIS-2734

**FIGURE 1B
WIRING – MAIN POWER**



MIS-2730

WIRING MAIN POWER

1. On all installations, size unit power supply wiring for the minimum circuit ampacity requirement for the unit and heater package combination listed on the unit serial plate.

WARNING

Install properly sized power supply leads for the unit/heater combination minimum circuit ampacity as listed on the unit serial plate. Hazard of fire. Failure to install properly sized conductors could result in fire causing damage, bodily injury or death.

- 2A. All heater packages covered by this manual are factory wired for single supply circuit. The following heater packages are field convertible to a dual supply circuit if required or desired:

EHS03H-A10B	EHS03H-A15B
EHS04H-A04B	EHS04H-A05B
EHS04H-A08B	EHS04H-A10B
EHS04H-A15B	EHS05H-A05B
EHS05H-A10B	EHS05H-A15B
EHS03A-A10B	EHS03A-A15B
EHS04A-A05B	EHS04A-A08B
EHS04A-A15B	EHS05A-A05B
EHS05A-A10B	EHS05A-A15B
EHT03H-AF8B	EHT05H-A08B
EHT05H-A10B	EHT05H-A15B
EHT06H-A04B	EHT06H-A05B
EHT06H-A10B	EHT06H-A15B

To convert the above heater packages to dual circuit configuration before installation, loosen four (4) screws holding jumper bar in place. Remove jumper bar. Circuits A & B are now identified on the heater package. See Figure 1A.

- 2B. All heater packages covered by this manual are factory wired for single supply circuit. The following heater package is field convertible to a triple supply circuit if required or desired:

EHS05H-A20B
EHT06H-A20B

To convert the above heater package to triple circuit configuration before installation, loosen six (6) screws holding jumper bar in place. Remove jumper bar. Circuits A, B & C are now identified on the heater package. See Figure 1B.

3. Wire should be sized to the minimum circuit ampacity as specified on the serial plates of units that accept these heater packages for (dual) circuits A & B or (triple) circuits A, B & C.

INSTALLATION

1. Disconnect all power to unit before installation.

WARNING

Disconnect all power to unit before installing heater package. Hazard of electrical shock. Failure to disconnect power could result in injury or death.

2. Before installation, check unit serial plate to insure that the heater package model that you intend to install is listed as a heater package suitable for use with the unit.

Under no circumstance shall a heater package be installed in a unit if the model number of the heater package does not appear on the unit serial plate.

WARNING

Install only heater packages listed on unit serial plate. Hazard of fire or electrical shock. Failure to install listed heater package could result in fire, injury or death.

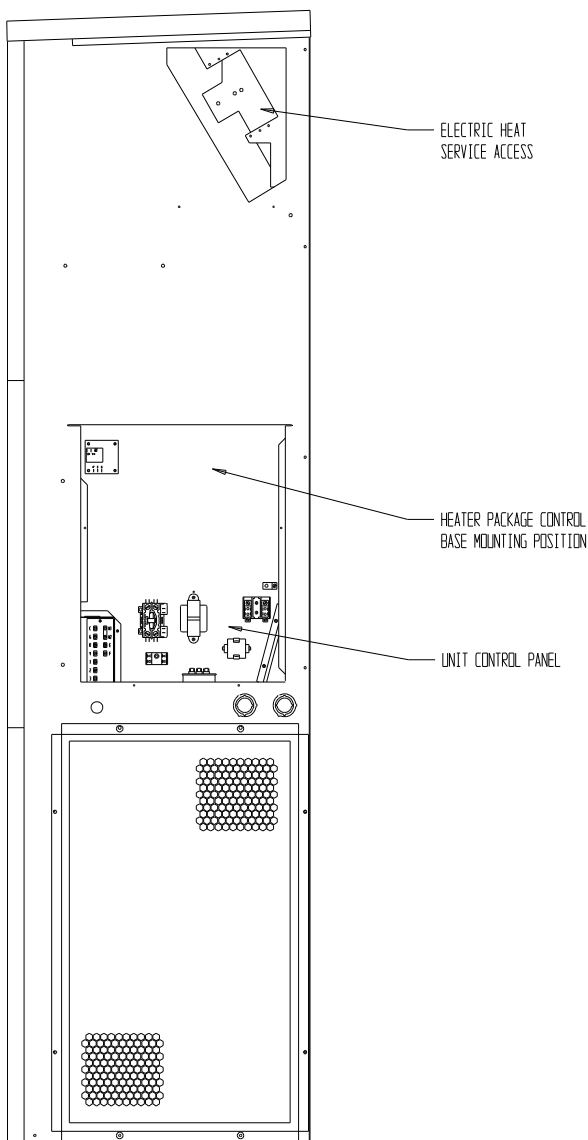
3. Remove electric heater access panel and control panel cover, both inner and outer. See Figure 2.
4. All heaters are installed with the thermal cutoffs positioned to the top of the unit. See Figures 4A - 4C. Install heat strip(s) through heater access opening. Position heat strip support rod in heater support hole 1, 2 or 3 as indicated in Tables 3A, 3B and Figure 3.

On heater packages with two (2) heat strips, install 9KW heater first in position closest to the outlet air frame. See Figure 4D.
5. Install heater control base into top of control panel as shown in Figure 5. Secure with four (4) sheet metal screws provided.
6. Plug mail six (6) pin connector into mating connector mounted in control panel. See Figure 5.
7. Connect red compressor supply lead to L1 of terminal block. Connect black compressor supply lead to L2 of terminal block. If three phase, connect yellow supply lead to L3 of terminal block. See Figure 5 and wiring diagram supplied with this heater package.

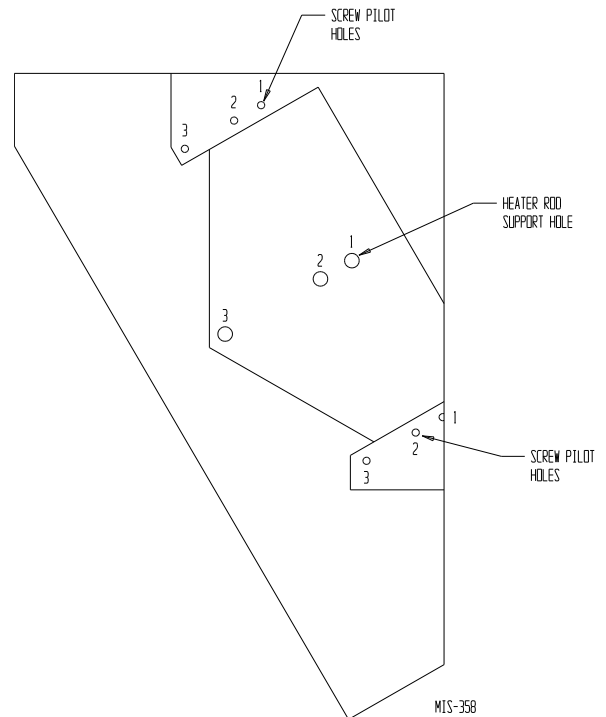
8. Route wires from heater control base up through raceway in top right corner of control panel to the heaters. See Figure 5.
9. Wire heater package per wiring diagram supplied with this heater package. All wires are stamped with wire numbers that correspond with terminal numbers on the wiring diagram and stamped numbers on the heat strip. Limit switch wires are terminated with insulated quick connect terminals.
10. Attach adhesive wiring diagram directly above unit wiring diagram on inner control panel cover.

11. Recheck all wiring. Break out appropriate circuit breaker tabs on inner control panel cover to allow trip lever to protrude. Replace control panel and heater access panels.
12. Resupply power to the unit and check for proper operation.
13. Remark serial plate with self-adhesive label attached to the front of this manual. See Figure 6.

**FIGURE 2
ELECTRIC HEATER ACCESS PANEL
AND CONTROL PANEL COVER LOCATIONS**



**FIGURE 3
SCREW MOUNTING HOLES**



**TABLE 3A
REFERENCES TO FIGURES 4 & 5
BY MODEL NUMBER**

Heater Package Model Number	Figure 4	Rod Support & Screw Holes
1. ESH31-A04	4A	1
2. ESH31-A08	4B	1
3. ESH31-B06	4C	1
4. ESH31-C06	4C	1
5. EHS03H-A05B	4A	1
6. EHS03H-A08B	4B	1
7. EHS03H-A10B	4B	1
8. EHS03H-A15B	4D	1 + 3
9. EHS03H-B09B	4C	1
10. EHS03H-B15B	4D	1 + 3
11. EHS03H-C09	4C	1
12. EHS03H-C15	4D	1 + 3
13. EHS04H-A04B	4A	1
14. EHS04H-A05B	4A	1
15. EHS04H-A08B	4B	1
16. EHS04H-A10B	4B	1
17. EHS04H-A15B	4D	1 + 3
18. EHS05H-A05B	4A	1
19. EHS05H-A10B	4B	1
20. EHS05H-A15B	4D	1 + 3
21. EHS05H-A20B	4D	1 + 3
22. EHS05H-B06B	4C	1
23. EHS05H-B09B	4C	1
24. EHS05H-B15B	4D	1 + 3
25. EHS05H-C06	4C	1
26. EHS05H-C09	4C	1
27. EHS05H-C15	4D	1 + 3
28. EHT03H-AF8B	4B	1
29. EHT03H-AS8B	4B	1
30. EHT03H-A04B	4A	1
31. EHT05H-A08B	4B	1
32. EHT05H-A10B	4B	1
33. EHT05H-A15B	4D	1 + 3
34. EHT06H-A04B	4A	1
35. EHT06H-A05B	4A	1
36. EHT06H-A08B	4B	1
37. EHT06H-A10B	4B	1
38. EHT06H-A15B	4D	1 + 3
39. EHT06H-A20B	4D	1 + 3
40. EHT02H-B06B	4C	1
41. EHT03H-B06B	4C	1
42. EHT03H-B09B	4C	1
43. EHT05H-B06B	4C	1
44. EHT05H-B09B	4C	1
45. EHT06H-B06B	4C	1
46. EHT06H-B09B	4C	1
47. EHT06H-B15B	4D	1 + 3
48. EHT06H-B18B	4D	1 + 3
49. EHT03H-C06	4C	1
50. EHT03H-C09	4C	1
51. EHT06H-C06	4C	1
52. EHT06H-C09	4C	1
53. EHT06H-C15	4D	1 + 3
54. EHT06H-C18	4D	1 + 3

**TABLE 3B
REFERENCES TO FIGURES 4 & 5
BY MODEL NUMBER**

Heater Package Model Number	Figure 4	Rod Support & Screw Holes
1. EHS03A-A05B	4A	1
2. EHS03A-A08B	4B	1
3. EHS03A-A10B	4B	1
4. EHS03A-A15B	4D	1 + 3
5. EHS03A-B06B	4C	1
6. EHS03A-B09B	4C	1
7. EHS03A-B15B	4D	1 + 3
8. EHS03A-C06	4C	1
9. EHS03A-C09	4C	1
10. EHS03A-C15	4D	1 + 3
11. EHS04A-A05B	4A	1
12. EHS04A-A08B	4B	1
13. EHS04A-A15B	4D	1 + 3
14. EHS04A-B09B	4C	1
15. EHS04A-B15B	4D	1 + 3
16. EHS04A-C06	4C	1
17. EHS04A-C09	4C	1
18. EHS04A-C15	4D	1 + 3
19. EHS05A-A05B	4B	1
20. EHS05A-A10B	4B	1
21. EHS05A-A15B	4D	1 + 3

**FIGURE 4
A THROUGH C**

FIGURE 4A

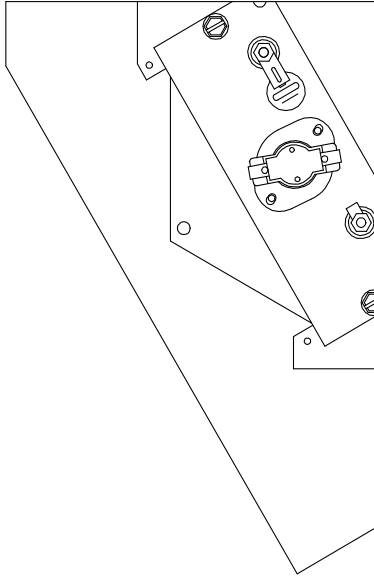


FIGURE 4B

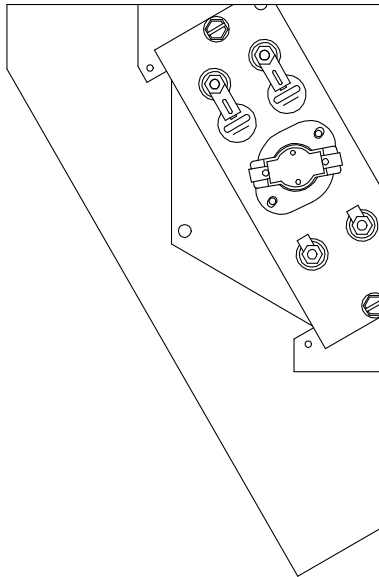
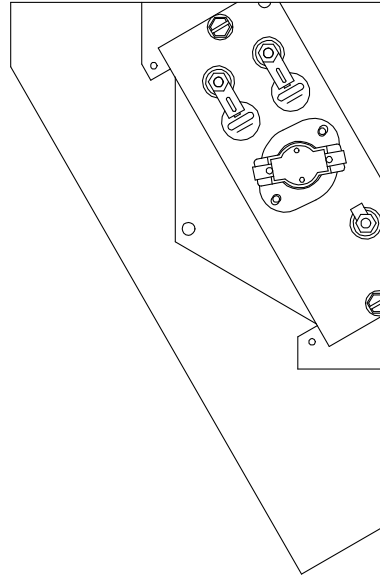


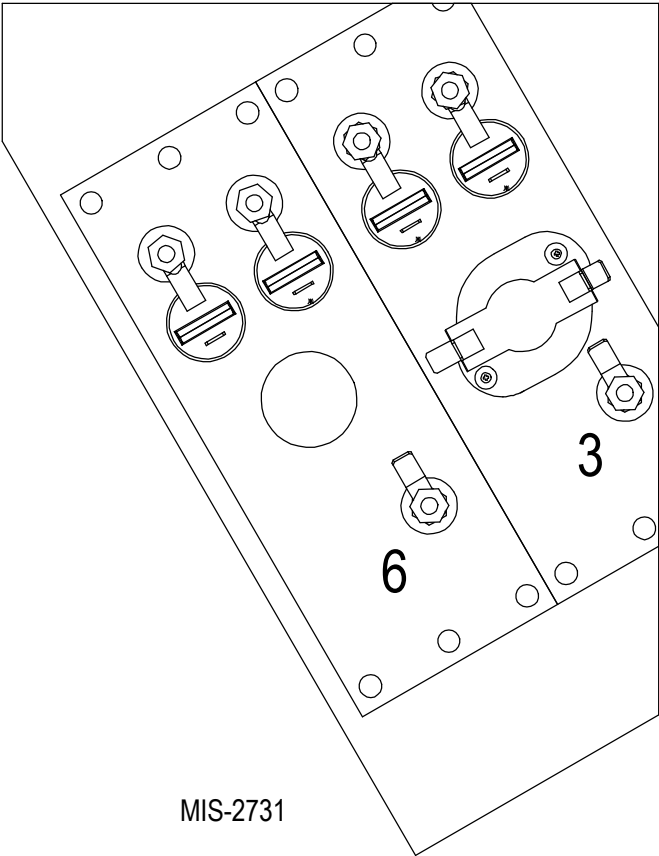
FIGURE 4C



**NOTE: THERMAL CUTOFFS TO BE AT
TOP OF AIR FRAME WHEN INSTALLING**

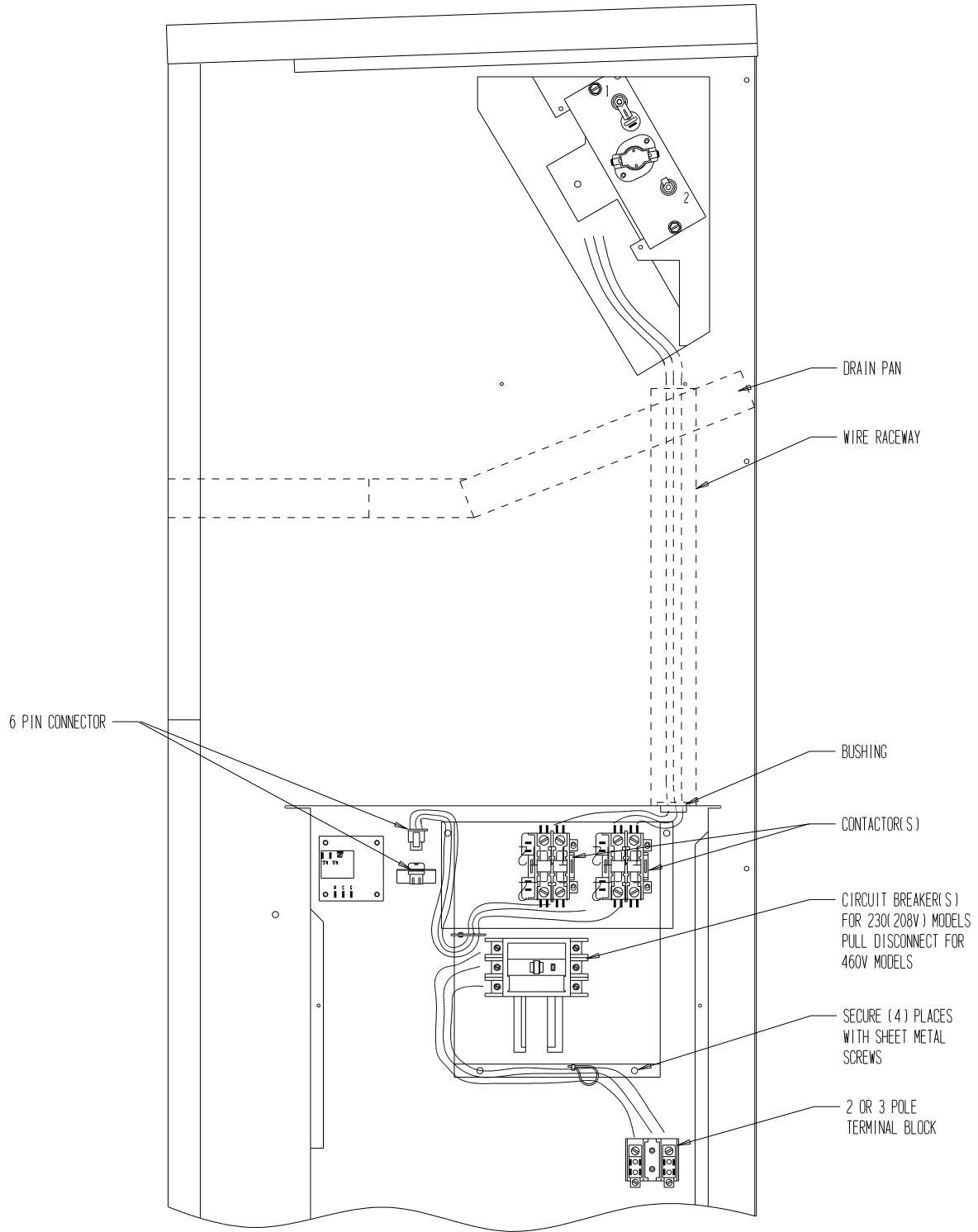
MIS-2732

**FIGURE 4D
INSTALL HEATER PACKAGE WITH
TWO HEAT STRIPS**



MIS-2731

**FIGURE 5
INSTALLING HEATER BASE
AND CONNECTING**



MIS-422

**FIGURE 6
SERIAL PLATE SHOWING
APPROVED HEATER PACKAGES**

(X)	()	()	()	()
()	(X)	()	()	()
()	()	(X)	()	()
()	()	()	(X)	()
()	()	()	()	(X)

ASSURE THAT SERIAL PLATE IS CLEAN AND DRY, REMOVE APPROPRIATE LABEL STRIP FOR KW REQUIRED AND REMARK SERIAL PLATE AS SHOWN FOR THE HEATER PACKAGE THAT IS INSTALLED

INSTALL ONLY HEATER PACKAGES LISTED HERE.

BARD MANUFACTURING COMPANY, 1914 RANDOLPH DRIVE

(1)
APPROVED
HEATER
PACKAGE

MODEL		VAC	HZ
() TS38H1-A00	NONE	230/208	60
() TS38H1-A0Z	WMCB-07A	230/208	60
(X) TS38H1-A05	EHSO3H-A05	230/208	60
() TS38H1-A08	EHSO3H-A08	230/208	60
() TS38H1-A10	EHSO3H-A10	230/208	60
() TS38H1-A15	EHSO3H-A15	230/208	60

BRANCH CIRCUIT SELECT CURRENT 18 OPERATION

SERIAL NUMBER XXXXXXXXXXXX-XX UL FILE NO.

SUITABLE FOR OUTDOOR USE

	VAC	HZ	PH	ELECTRICAL HP	KW
COMPRESSOR	230/208	60	1		
OUTDOOR MOTOR	230/208	60	1	1/3	
INDOOR MOTOR	230/208	60	1	1/4	
WEVY-A5B	230/208	60	1		
HEATER PACKAGE					
EHSO3H-A05	240/208	60	1		5/3.75
EHSO3H-A08	240/208	60	1		8/6
EHSO3H-A10	240/208	60	1		10/7.5
EHSO3H-A15	240/208	60	1		15/11.25

-- FACTORY

FACTORY CHARGED R410: 155 OZ. DESI

-- CLEAR

MIS-2733