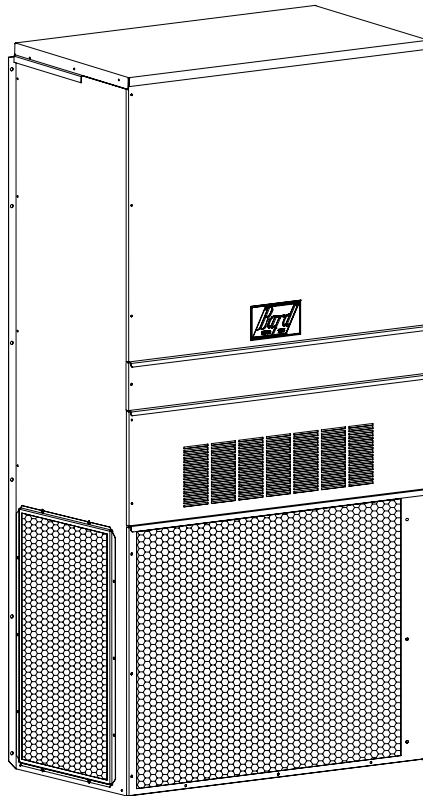

INSTALLATION INSTRUCTIONS

WALL-MOUNTED PACKAGED AIR CONDITIONER

Models:

HA4S4KA HL4S4KA
HA5S4KA HL5S4KA



MIS-2498



Climate Control Solutions

Bard Manufacturing Company, Inc.
Bryan, Ohio 43506
www.bardhvac.com

Manual: 2100-646
Supersedes: **NEW**
Date: 9-3-15

CONTENTS

Getting Other Information and Publications 3

Wall Mount General Information 4

Air Conditioner Wall Mount Model Nomenclature.....	4
Shipping Damage.....	7
General.....	7
Duct Work.....	7
Filters.....	7
Condensate Drain.....	7

Installation 8

Wall Mounting Information.....	8
Mounting the Unit.....	8
Typical Installations.....	8
Wiring – Main Power.....	8
Wiring – Low Voltage Wiring.....	12
Dirty Filter Switch and Relay.....	13
Economizer Fail Time Delay Relay.....	13

Figures

Figure 1	Unit Dimensions.....	5
Figure 2	Mounting Instructions.....	9
Figure 3	Wall Mounting Instructions.....	10
Figure 4	Wall Mounting Instructions.....	10
Figure 5	Common Wall Mounting Installations ...	11
Figure 6	Electric Heat Clearance.....	12
Figure 7	Start Up Label.....	17
Figure 8	Fan Blade Setting.....	18
Figure 9	Control Disassembly.....	21
Figure 10	Winding Test.....	21
Figure 11	Drip Loop.....	21
Figure 12	H***S4 Wiring Diagram – Top.....	24
Figure 13	H***S4 Wiring Diagram – Bottom.....	25
Figure 14	H***S4 Low Voltage Ladder Diagram for Unit and MV Connections.....	26

Start Up 14

General.....	14
Topping Off System Charge.....	14
Safety Practices.....	14
Important Installer Note.....	14
Service Hints.....	14
Sequence of Operation.....	15
High and Low Pressure Switch.....	15
Compressor Control Module.....	15
Motor Start Device.....	16
Pressure Service Ports.....	16
Crankcase Heaters.....	16

Service 18

Compressor Solenoid.....	18
Fan Blade Setting Dimensions.....	18
Removal of Fan Shroud.....	18
R-410A Refrigerant Charge.....	19
Troubleshooting GE ECM™ Motors.....	20
Optional Accessories.....	21

Tables

Table 1	Electric Heat.....	4
Table 2	Dimensions of Basic Unit.....	5
Table 3	Electrical Specifications.....	6
Table 4	Sequence of Operation.....	15
Table 5	Fan Blade Dimensions.....	18
Table 6	Cooling Pressure.....	19
Table 7	Indoor Blower Performance.....	22
Table 8	Optional Accessories – RH Units.....	22
Table 9	Optional Accessories – LH Units.....	22

GETTING OTHER INFORMATION AND PUBLICATIONS

These publications can help when installing the furnace. They can usually be found at the local library or purchased directly from the publisher. Be sure to consult the current edition of each standard.

National Electrical CodeANSI/NFPA 70
Standard for the Installation of
Air Conditioning and Ventilating
SystemsANSI/NFPA 90A
Standard for Warm Air Heating
and Air Conditioning SystemsANSI/NFPA 90B
Load Calculation for Residential
Winter and Summer
Air ConditioningACCA Manual J or Manual N
Low Pressure, Low Velocity
Duct System Design for
Winter and Summer
Air ConditioningACCA Manual D or Manual Q

For more information, contact these publishers:

ACCA **Air Conditioning Contractors of America**
1712 New Hampshire Ave. N.W.
Washington, DC 20009
Telephone: (202) 483-9370
Fax: (202) 234-4721

ANSI **American National Standards Institute**
11 West Street, 13th Floor
New York, NY 10036
Telephone: (212) 642-4900
Fax: (212) 302-1286

ASHRAE **American Society of Heating, Refrigeration
and Air Conditioning Engineers, Inc.**
1791 Tullie Circle, N.E.
Atlanta, GA 30329-2305
Telephone: (404) 636-8400
Fax: (404) 321-5478

NFPA **National Fire Protection Association**
Batterymarch Park
P.O. Box 9101
Quincy, MA 02269-9901
Telephone: (800) 344-3555
Fax: (617) 984-7057

WALL MOUNT GENERAL INFORMATION

AIR CONDITIONER WALL MOUNT MODEL NOMENCLATURE

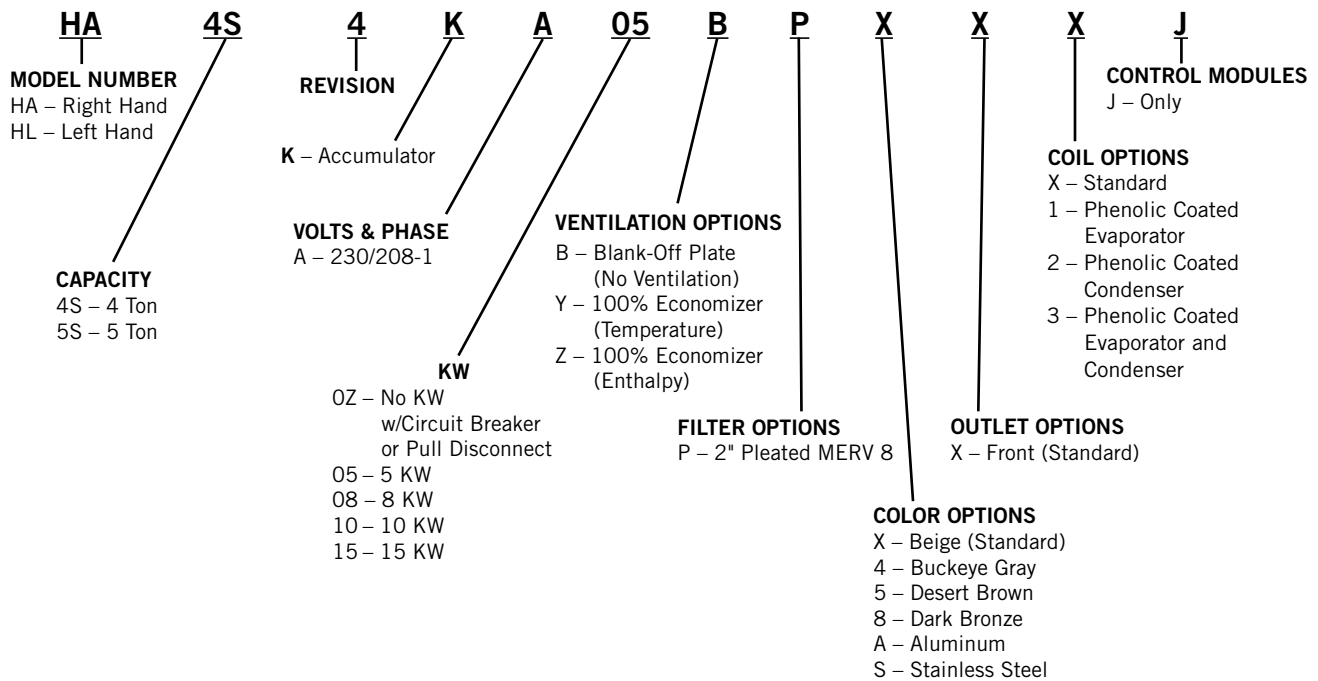


TABLE 1
Electric Heat Table

Nominal KW	At 240V ①			At 208V ①		
	Kw	1-Ph Amps	Btuh	Kw	1-Ph Amps	Btuh
5.0	5.0	20.8	17,065	3.75	18.0	12,799
8.0	8.0	33.3	27,304	6.00	28.8	20,478
10.0	10.0	41.7	34,130	7.50	36.1	25,598
15.0	15.0	62.5	51,195	11.25	54.1	38,396

① These electric heaters are available in 230/208V units only.

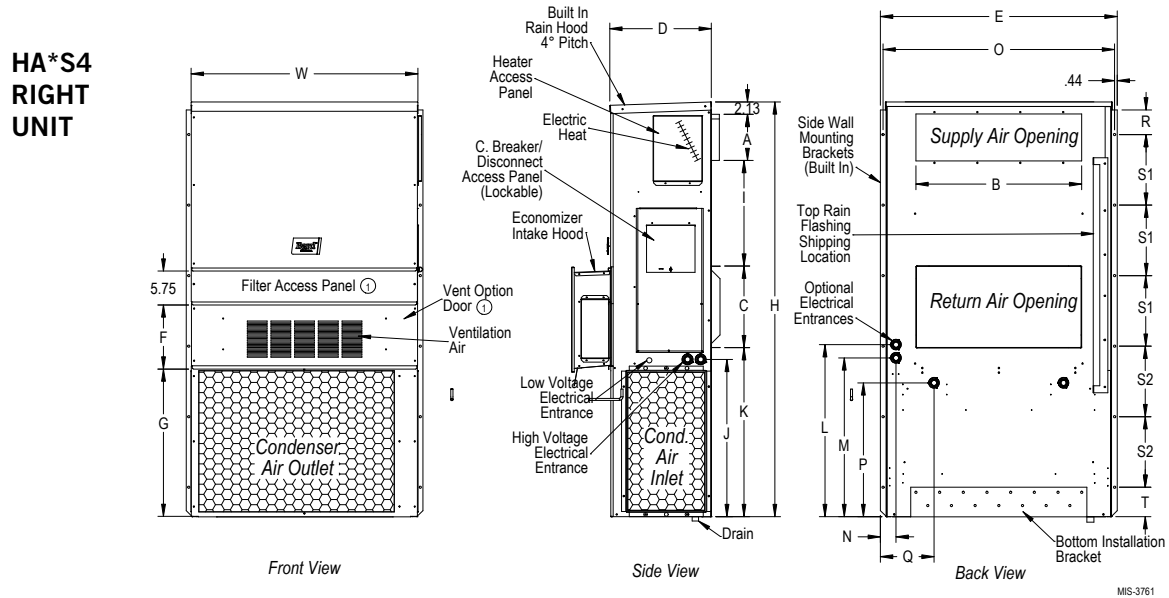
See Table 3 for heater availability by model

TABLE 2
Dimensions of Basic Unit for Architectural and Installation Requirements (Nominal)

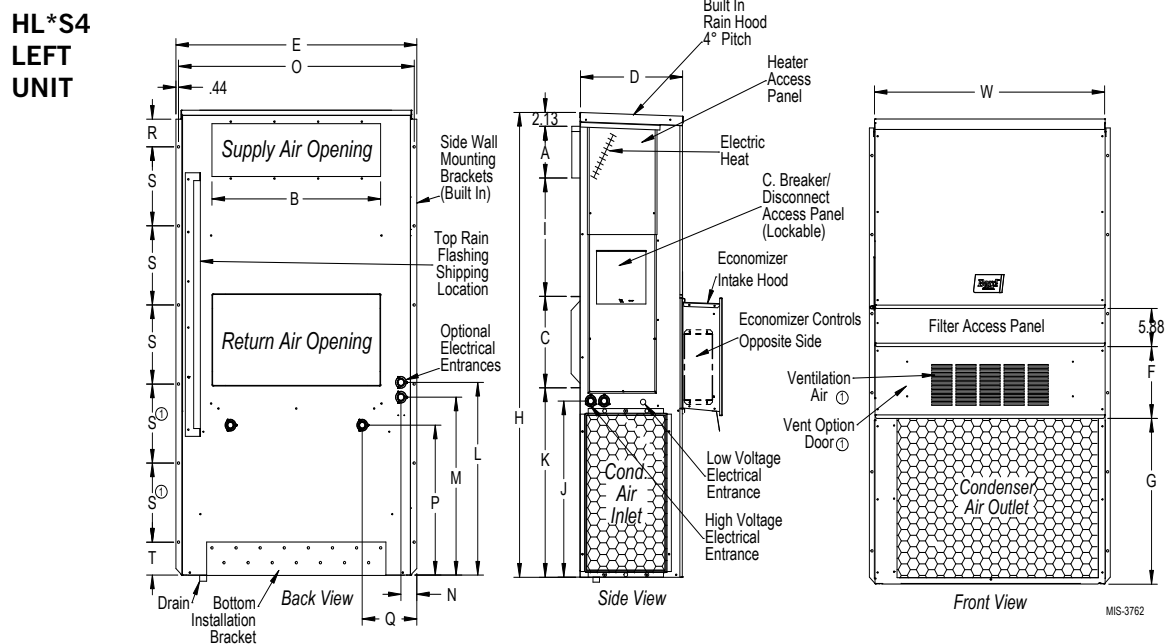
Unit	Width W	Depth D	Height H	Supply		Return		E	F	G	I	J	K	L	M	N	O	P	Q	R	S1	S2	T
				A	B	C	B																
HA4S4 HL4S4	42.075	22.432	94.875	9.88	29.88	15.88	29.88	43.88	19.10	41.66	30.00	42.68	36.94	44.69	42.43	3.37	43.00	33.88	10.00	1.44	16.00	21.00	1.88
HA5S4 HL5S4																							

All dimensions in inches. Dimensional drawings are not to scale.

FIGURE 1
Unit Dimensions



⓪ Not used when EWM Economizer is installed. Filter access through the EWM hood



⓪ Not used when EWM economizer is installed. Filter access through the EWM hood.

TABLE 3
Electrical Specifications

Model	Rated Volts and Phase	No. Field Power Circuits	Single Circuit				Multiple Circuit												
			Minimum Circuit Ampacity ①	Maximum External Fuse or Ckt. Brkr. ②	Field Power Wire Size ③	Ground Wire ③	Minimum Circuit Ampacity ①		Maximum External Fuse or Ckt. Brkr. ②		Field Power Wire Size ③		Ground Wire ③						
							Ckt. A	Ckt. B	Ckt. A	Ckt. B	Ckt. A	Ckt. B	Ckt. A	Ckt. B	Ckt. A	Ckt. B	Ckt. C	Ckt. C	
HA/L4S4 - A0Z - A05 - A08 - A10 - A15	230/208-1	1	38	45	8	10													
		1	38	45	8	10													
		1	53	60	6	10			45	30	8	10	10	10	10	10	10	10	10
		1 or 2	63	70	4	8			45	60	8	6							
		1 or 2	89	90	3	8													
HA/L5S4 - A0Z - A05 - A08 - A10 - A15	230/208-1	1	44	50	8	10													
		1	44	50	8	10													
		1	53	60	6	10			50	30	8	10	10	10	10	10	10	10	
		1 or 2	63	70	6	8			50	60	8	6							
		1 or 2	89	90	3	8													

① These "Minimum Circuit Ampacity" values are to be used for sizing the field power conductors. Refer to the National Electric Code (latest version), Article 310 for power conductor sizing. **CAUTION:** When more than one filed power conductor circuit is run through one conduit, the conductors must be derated.

② Pay special attention to Note * of Table 310 regarding Ampacity Adjustment Factors when more than three conductors are in a raceway.

③ Maximum size of the time delay fuse or circuit breaker for protection of field wiring conductors.

④ Based on 75°C copper wire. All wiring must conform to the National Electric Code (NEC) and all local codes.

SHIPPING DAMAGE

Upon receipt of equipment, the carton should be checked for external signs of shipping damage. If damage is found, the receiving party must contact the last carrier immediately, preferably in writing, requesting inspection by the carrier's agent.

GENERAL

The equipment covered in this manual is to be installed by trained, experienced service and installation technicians.

The refrigerant system is completely assembled and charged. All internal wiring is complete.

The unit is designed for use with or without duct work. Flanges are provided for attaching the supply and return ducts.

These instructions explain the recommended method to install the air cooled self-contained unit and the electrical wiring connections to the unit.

These instructions and any instructions packaged with any separate equipment required to make up the entire air conditioning system should be carefully read before beginning the installation. Note particularly "Starting Procedure" and any tags and/or labels attached to the equipment.

While these instructions are intended as a general recommended guide, they do not supersede any national and/or local codes in any way. Authorities having jurisdiction should be consulted before the installation is made. See page 3 for information on codes and standards.

Size of unit for a proposed installation should be based on heat loss calculation made according to methods of Air Conditioning Contractors of America (ACCA). The air duct should be installed in accordance with the Standards of the National Fire Protection Association for the Installation of Air Conditioning and Ventilating Systems of Other Than Residence Type, NFPA No. 90A, and Residence Type Warm Air Heating and Air Conditioning Systems, NFPA No. 90B. Where local regulations are at a variance with instructions, installer should adhere to local codes.

DUCT WORK

All duct work, supply and return, must be properly sized for the design airflow requirement of the equipment. Air Conditioning Contractors of America (ACCA) is an excellent guide to proper sizing. All duct work or portions thereof not in the conditioned space should be properly insulated in order to both conserve energy and prevent condensation or moisture damage.

Refer to Table 7 for maximum static pressure available for duct design.

Design the duct work according to methods given by the Air Conditioning Contractors of America (ACCA). When duct runs through unheated spaces, it should be insulated with a minimum of 1" of insulation. Use insulation with a vapor barrier on the outside of the insulation. Flexible joints should be used to connect the duct work to the equipment in order to keep the noise transmission to a minimum.

A 1/4" clearance to combustible material for the first 3' of duct attached to the outlet air frame is required. See Wall Mounting Instructions and Figures 3 and 4 for further details.

Ducts through the walls must be insulated and all joints taped or sealed to prevent air or moisture entering the wall cavity.

CAUTION

Some installations may not require any return air duct. A return air grille is required with installations not requiring a return air duct. The spacing between louvers on the grille shall not be larger than 5/8".

Any grille that meets the 5/8" louver criteria, may be used. It is recommended that Bard Return Air Grille Kit RG-5 or RFG-5 be installed when no return duct is used. Contact distributor or factory for ordering information. If using a return air filter grille, filters must be of sufficient size to allow a maximum velocity of 400 fpm.

NOTE: If no return air duct is used, applicable installation codes may limit this cabinet to installation only in a single story structure.

FILTERS

A 2" pleated MERV 8 filter is supplied with each unit. The filter slides into position making it easy to service. This filter can be serviced from the outside by removing the filter access panel.

CONDENSATE DRAIN

A plastic drain hose extends from the drain pan at the top of the unit down to the unit base. There are openings in the unit base for the drain hose to pass through. In the event the drain hose is connected to a drain system of some type, it must be an open or vented type system to assure proper drainage.

INSTALLATION

WALL MOUNTING INFORMATION

1. Two holes, for the supply and return air openings, must be cut through the wall as shown in Figure 3.
2. On wood-frame walls, the wall construction must be strong and rigid enough to carry the weight of the unit without transmitting any unit vibration. See Figures 4 and 5.
3. Concrete block walls must be thoroughly inspected to insure that they are capable of carrying the weight of the installing unit.

MOUNTING THE UNIT

1. These units are secured by wall mounting brackets which secure the unit to the outside wall surface at both sides. A bottom mounting bracket is provided for ease of installation.
2. The unit itself is suitable for 0 clearance, but the supply air duct flange and the first 3' of supply air duct require a minimum of 1/4" clearance to combustible material. If a combustible wall, use a minimum of 30-1/2" x 10-1/2" dimensions for sizing. However, it is generally recommended that a 1" clearance is used for ease of installation and maintaining the required clearance to combustible material. The supply air opening would then be 32" x 12". See Figures 2, 3 and 6 for details.

3. Locate and mark lag bolt locations and bottom mounting bracket location (see Figure 4).
4. Mount bottom mounting bracket.
5. Hook top rain flashing under back bend of top. Top rain flashing is shipped secured to the right side of the back.
6. Position unit in opening and secure with 5/16" lag bolts; use 7/8" diameter flat washers on the lag bolts.
7. Secure rain flashing to wall and caulk across entire length of top (see Figure 2).
8. For additional mounting rigidity, the return air and supply air frames or collars can be drilled and screwed or welded to the structural wall itself (depending upon wall construction). Be sure to observe required clearance if combustible wall.
9. On side-by-side installations, maintain a minimum of 20" clearance on right side to allow access to heat strips and control panel and to allow proper airflow to the outdoor coil. Additional clearance may be required to meet local or national codes.

TYPICAL INSTALLATIONS

See Figure 5 for common ways to install the wall mount unit.

WIRING – MAIN POWER

Refer to the unit rating plate for wire sizing information and maximum fuse or circuit breaker size. Each outdoor unit is marked with a "Minimum Circuit Ampacity". This means that the field wiring used must be sized to carry that amount of current. Depending on the installed KW of electric heat, there may be two field power circuits required. If this is the case, the unit serial plate will so indicate. All models are suitable only for connection with copper wire. Each unit and/or wiring diagram will be marked "Use Copper Conductors Only". These instructions **must be** adhered to. Refer to the National Electrical Code (NEC) for complete current carrying capacity data on the various insulation grades of wiring material. All wiring must conform to NEC and all local codes.

The electrical data lists fuse and wire sizes (75°C copper) for all models, including the most commonly used heater sizes. Also shown are the number of field power circuits required for the various models with heaters.

WARNING

Failure to provide the 1/4" clearance between the supply duct and a combustible surface for the first 3' of duct can result in fire causing damage, injury or death.

Clearances Required for Service Access and Adequate Condenser Airflow

MODELS	LEFT SIDE	RIGHT SIDE	DISCHARGE SIDE
HA4S4, HL4S4 HA5S4, HL5S4	20"	20"	10"

NOTE: For side-by-side installation of two H**S4 models, there must be 20" between units. This can be reduced to 15" by using a HL*S4 model (left side compressor and controls) for the left unit and HA*S4 (right side compressor and controls) for right unit.

See H**S4 Specification S3458.

The unit rating plate lists a "Maximum Time Delay Relay Fuse" or circuit breaker that is to be used with the equipment. The correct size must be used for proper circuit protection and also to assure that there will be no nuisance tripping due to the momentary high starting current of the compressor motor.

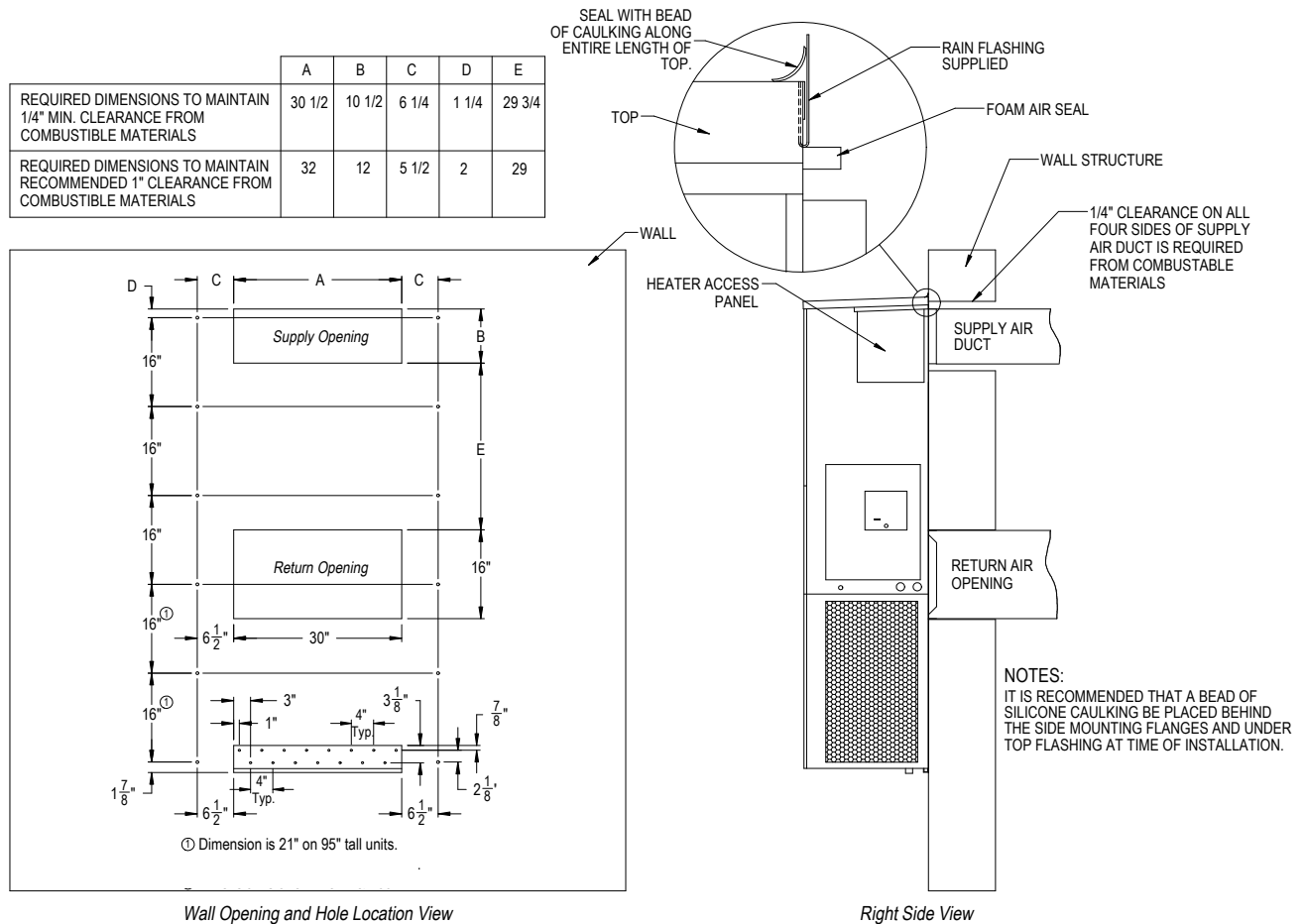
The disconnect access door on this unit may be locked to prevent unauthorized access to the disconnect. To convert for the locking capability,

bend the tab located in the bottom left hand corner of the disconnect opening under the disconnect access panel straight out. This tab will now line up with the slot in the door. When shut, a padlock may be placed through the hole in the tab preventing entry.

See Start Up section for information on three phase scroll compressor start ups.

FIGURE 2
Mounting Instructions

NOTE: It is recommended that a bead of silicone caulking be placed behind the side mounting flanges and under the top flashing at the time of installation.



MIS-416 E

FIGURE 3
Wall Mounting Instructions

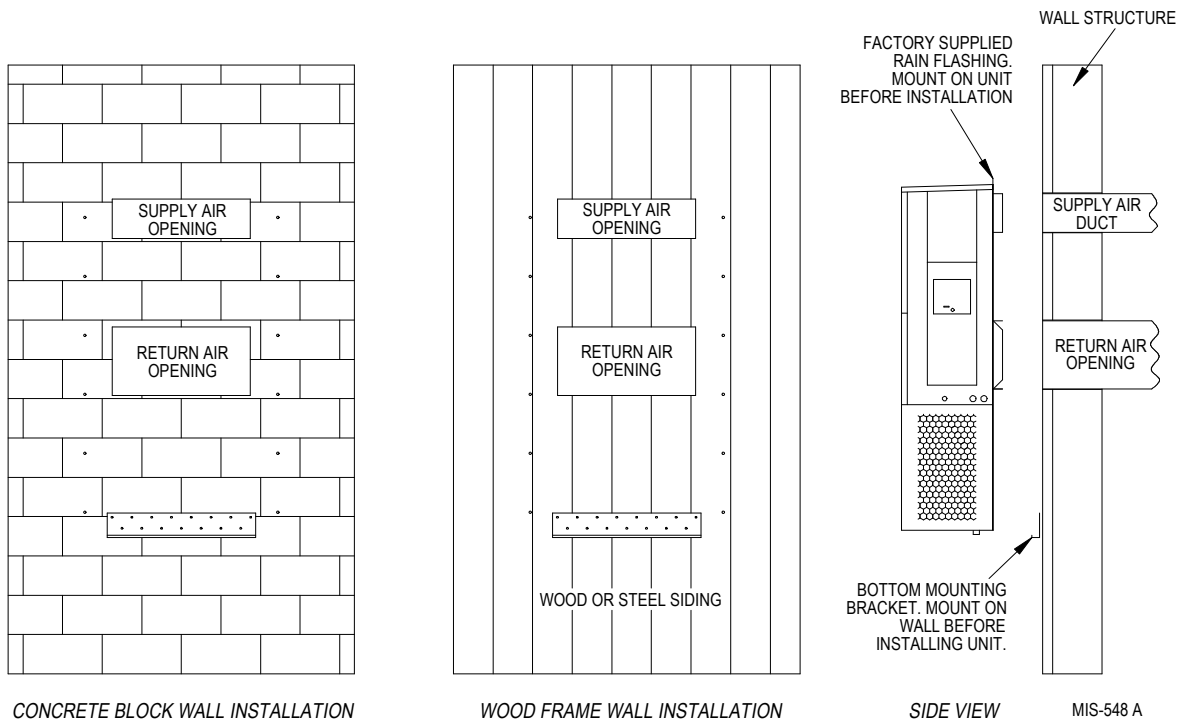


FIGURE 4
Wall Mounting Instructions

SEE UNIT DIMENSIONS, FIGURE 1,
 FOR ACTUAL DIMENSIONS

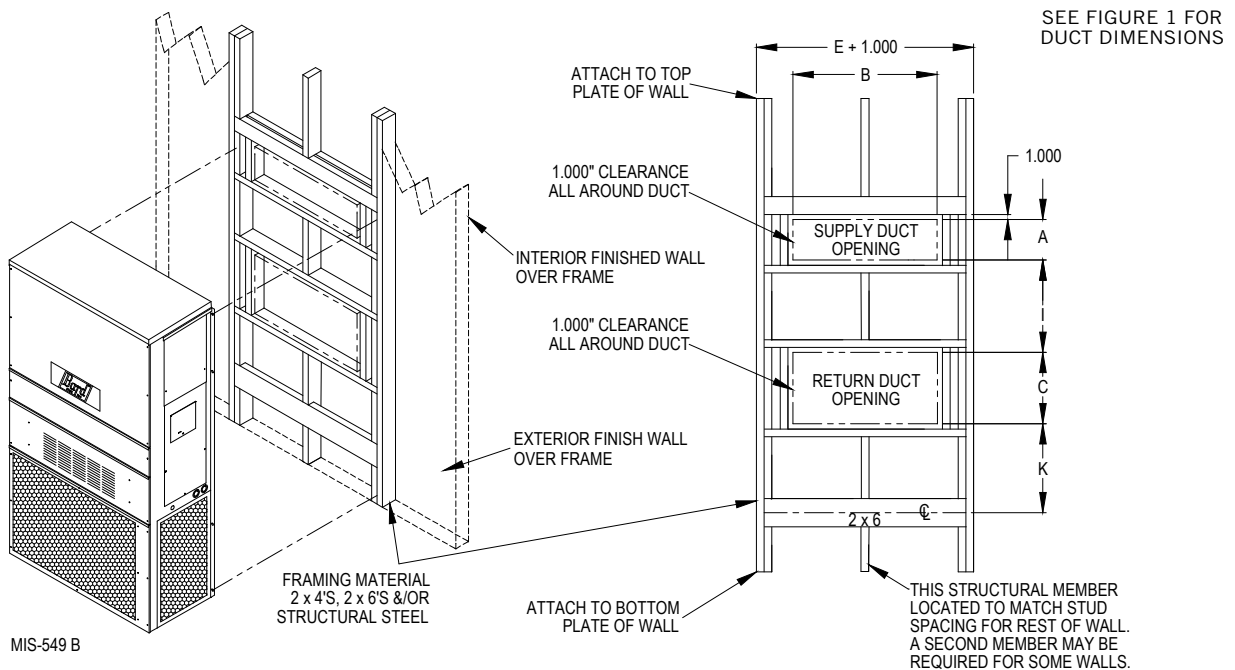
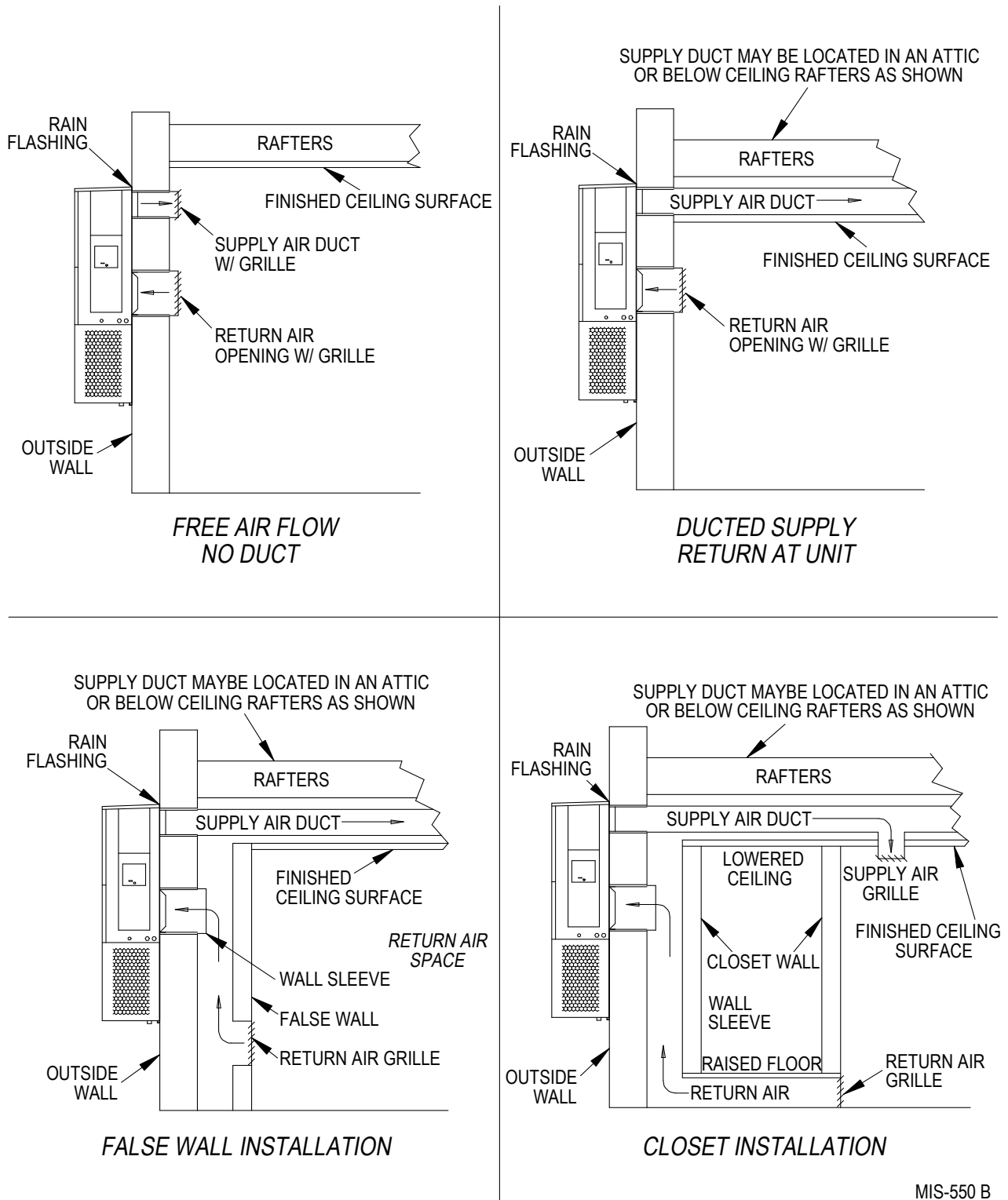
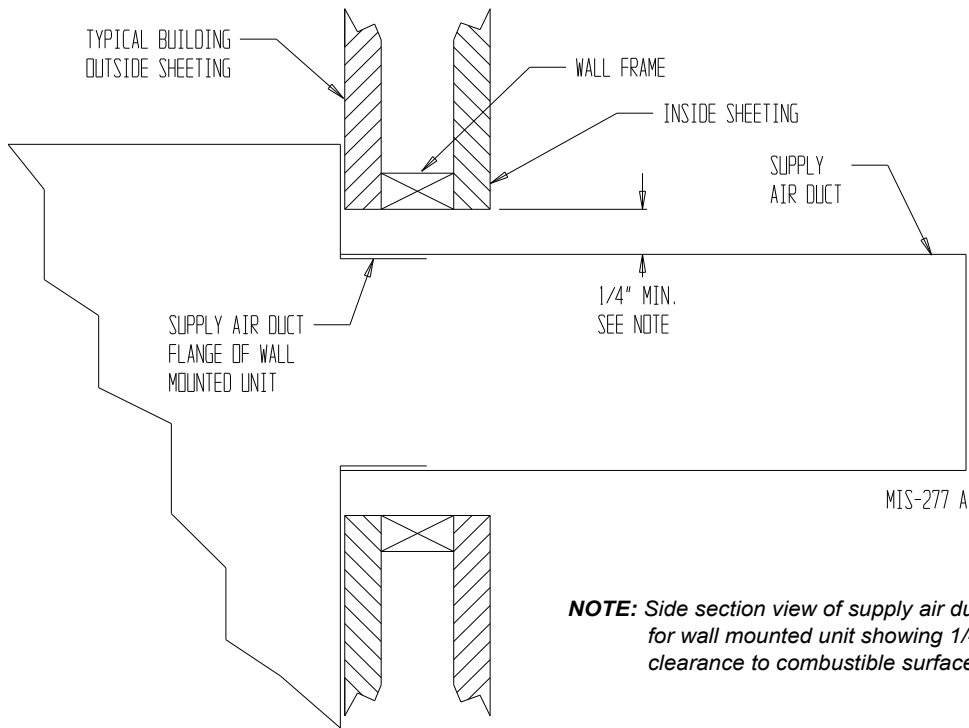


FIGURE 5
Common Wall Mounting Installations



MIS-550 B

FIGURE 6
Electric Heat Clearance



NOTE: Side section view of supply air duct for wall mounted unit showing 1/4" clearance to combustible surfaces.

⚠ WARNING

A **minimum** of 1/4" clearance must be maintained between the supply air duct and combustible materials. This is required for the first 3' of ducting.

It is important to insure that the 1/4" minimum spacing is maintained at all points.

Failure to do this could result in overheating the combustible material and may result in a fire causing damage, injury or death.

WIRING – LOW VOLTAGE WIRING

All 230/208V 1 phase and 3 phase equipment have dual primary voltage transformers. All equipment leaves the factory wired on 240V tap. For 208V operation, reconnect from 240V to 208V tap. The acceptable operating voltage range for the 240 and 208V taps are:

TAP	RANGE
240	253 – 216
208	220 – 187

NOTE: The voltage should be measured at the field power connection point in the unit and while the unit is operating at full load (maximum amperage operating condition).

For wiring size and connections, refer to MV5000 Controller Manual 2100-636.

DIRTY FILTER SWITCH AND RELAY

These units include an adjustable dirty filter indicator switch. This switch if connected to normally closed contacts on the filter relay wired to terminals 10 and 11 on the low voltage terminal block.

Filter Replacement Procedure

For units not equipped with economizer:

1. Turn off unit power.
2. Remove filter door.
3. Replace filter.
4. Press Reset button.
5. Verify filter light is off.
6. Replace filter door.
7. Turn on unit power.

For units equipped with economizer:

1. Turn off unit power.
2. Remove hood cover.
3. Remove mist eliminator. Inspect and clean if necessary.
4. Remove filter door.
5. Remove and replace filter.
6. Replace filter door.
7. Replace mist eliminator.
8. Replace hood cover.
9. Turn on unit power.

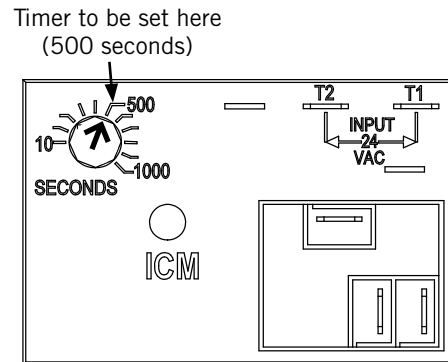
Filter Switch Adjustment

1. Turn off unit power.
2. Remove upper front door. Front screws on unit top can be removed for ease of removing upper front door.
3. Locate filter switch on control panel side next to blower assembly.
4. Remove single phillips head screw on front of cover. Remove cover.
5. Set pressure by adjusting knob. Do not adjust knob drastically to avoid nuisance alarm signalw or non-functionality.
6. Replace cover.
7. Replace upper front door.
8. Turn on unit power.

ECONOMIZER FAIL TIME DELAY RELAY

NOTE: *Applies only to units with economizers.*

These units employ a time delay relay to open the normally closed contacts at terminals 12 and 13 on the low voltage terminal block. This will activate an alarm signal on the MV Series controller. The time delay is set to 500 seconds as a factory default. Avoid adjustment to settings lower than 180 seconds.



MIS-3054

START UP

These units require R-410A refrigerant and Polyol Ester oil.

GENERAL

1. Use separate service equipment to avoid cross contamination of oil and refrigerants.
2. Use recovery equipment rated for R-410A refrigerant.
3. Use manifold gauges rated for R-410A (800 psi/250 psi low).
4. R-410A is a binary blend of HFC-32 and HFC-125.
5. R-410A is nearly azeotropic—similar to R-22 and R-12. Although nearly azeotropic, charge with liquid refrigerant.
6. R-410A operates at 40-70% higher pressure than R-22 and systems designed for R-22 cannot withstand this higher pressure.
7. R-410A has an ozone depletion potential of zero, but must be reclaimed due to its global warming potential.
8. R-410A compressors use Polyol Ester oil.
9. Polyolester oil is hygroscopic; it will rapidly absorb moisture and strongly hold this moisture in the oil.
10. A liquid line dryer must be used—even a deep vacuum will not separate moisture from the oil.
11. Limit atmospheric exposure to 15 minutes.
12. If compressor removal is necessary, always plug compressor immediately after removal. Purge with small amount of nitrogen when inserting plugs.

TOPPING OFF SYSTEM CHARGE

If a leak has occurred in the system, Bard Manufacturing recommends reclaiming, evacuating (see criteria above) and charging to the nameplate charge. Topping off the system charge can be done without problems.

With R-410A, there are no significant changes in the refrigerant composition during multiple leaks and recharges. R-410A refrigerant is close to being an azeotropic blend (it behaves like a pure compound or single component refrigerant). The remaining refrigerant charge, in the system, may be used after leaks have occurred and then “top-off” the charge by utilizing the pressure charts on the inner control panel cover as a guideline.

REMEMBER: When adding R-410A refrigerant, it must come out of the charging cylinder/tank as a liquid to avoid any fractionation, and to insure optimal system performance. Refer to instructions for the cylinder that is being utilized for proper method of liquid extraction.

SAFETY PRACTICES

1. Never mix R-410A with other refrigerants.
2. Use gloves and safety glasses. Polyol Ester oils can be irritating to the skin and liquid refrigerant will freeze the skin.
3. Never use air and R-410A to leak check; the mixture may become flammable.
4. Do not inhale R-410A. The vapor attacks the nervous system, creating dizziness, loss of coordination and slurred speech. Cardiac irregularities, unconsciousness and ultimate death can result from breathing this concentration.
5. Do not burn R-410A. This decomposition produces hazardous vapors. Evacuate the area if exposed.
6. Use only cylinders rated DOT4BA/4BW 400.
7. Never fill cylinders over 80% of total capacity.
8. Store cylinders in a cool area, out of direct sunlight.
9. Never heat cylinders above 125°F.
10. Never trap liquid R-410A in manifold sets, gauge lines or cylinders. R-410A expands significantly at warmer temperatures. Once a cylinder or line is full of liquid, any further rise in temperature will cause it to burst.

IMPORTANT INSTALLER NOTE

For improved start up performance, wash the indoor coil with a dishwasher detergent.

SERVICE HINTS

1. Maintain clean air filters at all times; do not close off or block supply and return air registers. This reduces air flow through the system, which shortens equipment service life as well as increasing operating costs.
2. Check all power fuses or circuit breakers to be sure they are the correct rating.
3. Periodic cleaning of the outdoor coil to permit full and unrestricted airflow circulation is essential. Frequency of coil cleaning will depend on duty cycle of equipment, type of use and installation

site variables. Telecommunication type installations in high traffic areas or in areas with frequent airborne debris will require more frequent coil maintenance than those in areas not subject to those conditions.

SEQUENCE OF OPERATION

Non-Economizer

Stage 1 (7) cooling call activates Step 1 (partial capacity, 66%) of compressor capacity.

Stage 2 (8) cooling call activates Step 2 (full capacity, 100%) of compressor capacity.

See Table 4.

HIGH AND LOW PRESSURE SWITCH

All models covered by this manual are supplied with a remote reset high pressure switch and low pressure switch. If tripped, this pressure switch may be reset by turning the thermostat off then back on again.

COMPRESSOR CONTROL MODULE

The compressor control module is standard on the models covered by this manual. The compressor control is an anti-short cycle/lockout timer with high and low pressure switch monitoring and alarm relay output.

Adjustable Delay-on-Make and Delay-on-Break Timer

On initial power up or anytime power is interrupted to the unit, the *delay-on-make* period begins, which will be 2 minutes plus 10% of the *delay-on-break* setting. When the delay-on-make is complete and the high pressure and low pressure switches are closed, the compressor contactor is energized. Upon shutdown, the delay-on-break timer starts and prevents restart until the delay-on-break and delay-on-make periods have expired.

During routine operation of the unit with no power interruptions, the compressor will operate on demand with no delay.

TABLE 4
Sequence of Operation

Terminal	Description	Use	Series "2" Reference
1	Compressor on Output Signal from Jade to MV	Economizer Only	"A"
2	24VAC HOT from Terminal 2 Connected to Unit Transformer	24V HOT	"R"
3	24VAC COMMON from Unit Transformer to MV	24V COMMON	"C"
4	Unit Compressor Operation	Cooling Operation	"Y"
5	Close Damper Input (Close Blade 100%)	Economizer Only	"F"
6	Electric Heat On Operation, Stage 1 and 2	Heating Operation	"W1"
7	1st Stage Cooling Input, 1st Stage Cooling Signal to Jade	Economizer Only	"Y1"
8	2nd Stage Cooling Input, 2nd Stage Partial Cooling Signal to Jade	Economizer Only	"Y2"
9	Blower Operation (Indoor Blower On)	Blower Operation	"G"
10	Filter Switch Normally Closed Dry Contacts	Alarm Signal	"4"
11	Filter Switch Normally Closed Dry Contacts	Alarm Signal	"5"
12	Blade Switch Delay Relay Normally Closed Dry Contacts	Economizer Only	"8"
13	Blade Switch Delay Relay Normally Closed Dry Contacts	Economizer Only	"9"
14	Occupied Signal Input, Econ Emergency Open (Open Blade 100%)	Economizer Only	"E"
15	Econ Open Output (6V HOT, 24V HOT after Blade Open 100% and delay)	Economizer Only	"10"
16	Alarm Relay Common Dry Contact	Comp Alarm Signal	"3"
17	Alarm Relay Normally Open Dry Contact	Comp Alarm Signal	"2"
18	Alarm Relay Normally Closed Dry Contact	Comp Alarm Signal	"1"
19	24VAC HOT to Terminal 2 from Unit Transformer Through Smoke Alarm Jumper Wire*	24V HOT	"RT"
20	2nd Stage Heating On Operated Through Jumper to Terminal 6	Heating Operation, 2nd Stage	"W2"
21	Blade Switch Terminal 24V HOT When Blade is Open, Sends Signal from Switch to Delay Relay	Economizer Only	"7"
22	2nd Stage Cooling Input, 2nd Stage Full Capacity	Cooling Operation, 2nd Stage Full	"Y2"

* Replace jumper wire with smoke alarm connections to interrupt 24VAC unit power if smoke alarm is used in shelter. Jumper can also be removed to break 24VAC power to unit.

High Pressure Switch and Lockout Sequence

If the high pressure switch opens, the compressor contactor will de-energize immediately. The lockout timer will go into a *soft lockout* and stay in soft lockout until the high pressure switch closes and the delay-on-break time has expired. If the high pressure switch opens again in this same operating cycle, the unit will go into *manual lockout* condition and the alarm relay circuit will energize. Recycling the wall thermostat resets the manual lockout.

Low Pressure Switch, Bypass and Lockout Sequence

If the low pressure switch opens for more than 120 seconds, the compressor contactor will de-energize and go into a soft lockout. Regardless the state of the low pressure switch, the contactor will reenergize after the delay-on-make time delay has expired. If the low pressure switch remains open, or opens again for longer than 120 seconds, the unit will go into manual lockout condition and the alarm relay circuit will energize. Recycling the wall thermostat resets the manual lockout.

Low Ambient Control

The fan cycling control cycles the fan motor on once the liquid refrigerant pressure reaches 350 psig, and off once it has dropped to 225 psig. It will continue to cycle between these parameters depending on outdoor temperatures and the load/stage of the system.

This cycling maintains a minimum liquid pressure affecting the minimum suction pressure. This effect ensures an evaporating temperature that is slightly above the point of ice formation on the evaporator.

Alarm Relay Output

Alarm terminal is output connection for applications where alarm relay is employed. This terminal is powered whenever compressor is locked out due to HPC or LPC sequences as described.

NOTE: *Both high and low pressure switch controls are inherently automatic reset devices. The high pressure switch and low pressure switch cut out and cut in settings are fixed by specific air conditioner or heat pump unit model. The lockout features, both soft and manual, are a function of the compressor control module.*

Adjustments

Adjustable Delay-on-Make and Delay-on-Break Timer

The potentiometer is used to select delay-on-break time from 30 seconds to 5 minutes. Delay-on-make (DOM) timing on power up and after power interruptions is equal to 2 minutes plus 10% of delay-on-break (DOB) setting:

0.5 minute (30 seconds)	DOB = 123 second	DOM
1.0 minute (60 seconds)	DOB = 126 second	DOM
2.0 minute (120 seconds)	DOB = 132 second	DOM
3.0 minute (180 seconds)	DOB = 138 second	DOM
4.0 minute (240 seconds)	DOB = 144 second	DOM
5.0 minute (300 seconds)	DOB = 150 second	DOM

During routine operation of the unit with no power interruptions, the compressor will operate on demand with no delay.

Typical Settings for Dual Unit Installation:

Unit 1: DOB set at 2 minutes and DOM is 132 seconds
Unit 2: DOB set at 4 minutes and DOM is 144 seconds

MOTOR START DEVICE

Single Phase (-A) model compressor circuits are equipped with a 25 ohm PTCR (Positive Temperature Coefficient Resistor) motor starting device as standard equipment.

The PTCR is wired in parallel with the run capacitor. When voltage is applied, and device is cool, its low resistance permits a large current to flow in the auxiliary windings—increasing the motor's available starting torque. The device then rapidly heats up and the current levels drop to a few milliamperes. The PTCR then becomes self-regulating, passing just enough current to maintain its temperature to remain in the high resistance state. Once the voltage source is removed, the device cools down, the resistance drops and is then ready for the next compressor start cycle.

PRESSURE SERVICE PORTS

High and low pressure service ports are installed on all units so that the system operating pressures can be observed. Pressure tables can be found on page 18 covering all models. It is imperative to match the correct pressure table to the unit by model number.

Be careful to observe whether unit is operating in high cool or low cool when utilizing the charts.

CRANKCASE HEATERS

All units covered in this manual are provided with compressor crankcase heat.

This crankcase heater is a band type heater located around the bottom of the compressor. This heater is controlled by the crankcase heater relay. The heater is only energized when the compressor is not running.

Crankcase heat is essential to prevent liquid refrigerant from migrating to the compressor, preventing oil pump out on compressor start up and possible bearing or scroll vane failure due to compressing a liquid.

The decal in Figure 7 is affixed to all model units detailing start up procedure. This is very important. ***Please read carefully.***

FIGURE 7
Start Up Label

IMPORTANT

These procedures must be followed at initial start up and at any time power has been removed for 12 hours or longer.

To prevent compressor damage which may result from the presence of liquid refrigerant in the compressor crankcase.

1. Make certain the room thermostat is in the "off" position (the compressor is not to operate).
2. Apply power by closing the system disconnect switch. This energizes the compressor heater which evaporates the liquid refrigerant in the crankcase.
3. Allow 4 hours or 60 minutes per pound of refrigerant in the system as noted on the unit rating plate, whichever is greater.
4. After properly elapsed time, the thermostat may be set to operate the compressor.
5. Except as required for safety while servicing – ***Do not open system disconnect switch.***

7961-061

SERVICE

COMPRESSOR SOLENOID

A nominal 24-volt direct current coil activates the internal compressor solenoid. The input control circuit voltage must be 18 to 28 VAC. The coil power requirement is 20 VA. The external electrical connection is made with a molded plug assembly. This plug contains a full wave rectifier to supply direct current to the unloader coil.

Compressor Solenoid Test Procedure

If it is suspected that the unloader is not working, the following methods may be used to verify operation.

1. Operate the system and measure compressor amperage. Cycle the compressor solenoid on and off at 10-second intervals. The compressor amperage should go up or down at least 25%.
2. If Step 1 does not give the expected results, shut unit off. Apply 18 to 28 VAC to the solenoid molded plug leads and listen for a click as the solenoid pulls in. Remove power and listen for another click as the solenoid returns to its original position.
3. If clicks can't be heard, shut off power, remove the control circuit molded plug from the compressor and measure the solenoid coil resistance. The resistance should be 32 to 60 ohms depending on compressor temperature.
4. Next, check the molded plug.

Voltage Check: Apply control voltage to the plug wires (18 to 28 VAC). The measured **dc** voltage at the female connectors in the plug should be around 15 to 27 VDC.

Resistance Check: Measure the resistance from the end of one molded plug lead to either of the two female connectors in the plug. One of the connectors should read close to 0 ohms, while the other should read infinity. Repeat with other wire. The same female connector as before should read 0, while the other connector again reads infinity. Reverse polarity on the ohmmeter leads and repeat. The female connector that read infinity previously should now read close to 0 ohms.

Replace plug if either of these test methods does not show the desired results.

FAN BLADE SETTING DIMENSIONS

The correct fan blade setting dimensions for proper air delivery across the outdoor coil are shown in Figure 8.

Any service work requiring removal or adjustment in the fan and/or motor area will require that the dimensions below be checked and blade adjusted in or out on the motor shaft accordingly (see Table 5).

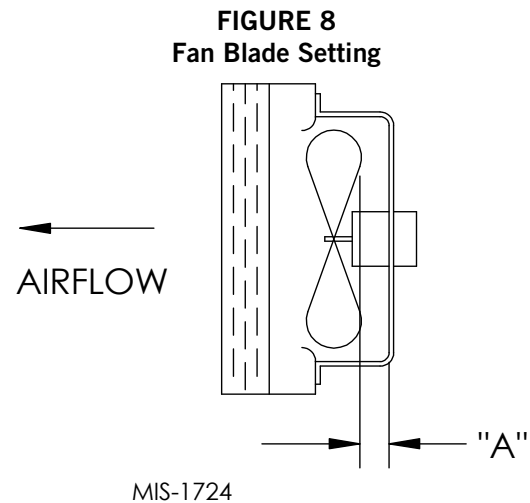


TABLE 5
Fan Blade Dimensions

Model	Dimension A
HA/L4S4 HA/L5S4	1.75"

REMOVAL OF FAN SHROUD

1. Disconnect all power to unit.
2. Remove the screws holding both grills—one on each side of unit—and remove grills.
3. Remove nine (9) screws holding fan shroud to condenser and bottom.
4. Unwire condenser fan motor.
5. Slide complete motor, fan blade and shroud assembly out the left side of the unit.
6. Service motor/fan as needed.
7. Reverse steps to re-install.

R-410A REFRIGERANT CHARGE

This unit was charged at the factory with the quantity of refrigerant listed on the serial plate. AHRI capacity and efficiency ratings were determined by testing with this refrigerant charge quantity.

The following pressure tables show nominal pressures for the units. Since many installation specific situations can affect the pressure readings, this information should only be used by certified technicians as a guide for evaluating proper system performance. They shall not be used to adjust charge. If charge is in doubt, reclaim, evacuate and recharge the unit to the serial plate charge.

TABLE 6
Cooling Pressure – (All temperatures °F)

High Capacity Cooling			Air Temperature Entering Outdoor Coil °F													
Model	Return Air Temperature	Pressure	50°	55°	60°	65°	70°	75°	80°	85°	90°	95°	100°	105°	110°	115°
HA4S4 HL4S4	75° DB 62° WB	Low Side High Side	117 197	119 216	121 235	123 255	125 274	127 293	128 316	130 339	131 361	132 383	133 410	135 438	136 466	137 494
	80° DB 67° WB	Low Side High Side	127 201	129 220	131 239	134 259	136 278	138 298	138 318	139 341	139 364	143 400	143 415	144 443	146 471	149 500
	85° DB 72° WB	Low Side High Side	141 203	143 223	145 243	148 263	150 283	152 303	152 326	153 349	153 372	154 396	156 422	158 449	160 478	162 508
HA5S4 HL5S4	75° DB 62° WB	Low Side High Side	118 199	119 217	120 236	122 260	123 285	125 309	126 333	128 357	129 381	130 405	132 432	133 460	135 487	136 514
	80° DB 67° WB	Low Side High Side	129 205	130 224	131 247	131 270	132 292	132 315	134 339	137 363	139 387	141 425	143 438	145 465	146 492	148 519
	85° DB 72° WB	Low Side High Side	137 216	139 237	140 258	141 279	142 300	143 321	146 346	148 370	151 395	153 419	155 447	157 474	158 502	160 529

Low Capacity Cooling			Air Temperature Entering Outdoor Coil °F													
Model	Return Air Temperature	Pressure	50°	55°	60°	65°	70°	75°	80°	85°	90°	95°	100°	105°	110°	115°
HA4S4 HL4S4	75° DB 62° WB	Low Side High Side	122 184	124 201	125 218	127 236	129 254	131 272	131 291	132 312	133 335	134 359	135 381	137 407	139 435	141 463
	80° DB 67° WB	Low Side High Side	132 185	134 203	136 221	138 239	140 257	142 275	145 298	146 317	147 339	148 362	149 384	150 410	151 438	152 467
	85° DB 72° WB	Low Side High Side	145 187	147 205	149 223	152 241	154 259	156 278	156 297	157 319	158 343	159 369	161 390	163 415	164 443	165 472
HA5S4 HL5S4	75° DB 62° WB	Low Side High Side	123 187	125 207	127 226	129 245	131 263	133 282	134 305	135 328	136 350	137 373	139 399	141 425	143 451	145 477
	80° DB 67° WB	Low Side High Side	134 192	136 211	138 230	139 248	141 267	143 286	145 308	147 331	149 353	151 375	153 402	155 429	156 456	158 483
	85° DB 72° WB	Low Side High Side	146 200	148 217	149 235	151 252	152 270	154 287	156 311	159 335	161 358	163 382	165 408	166 434	168 460	169 486

Low side pressure ±4 psig
High side pressure ±10 psig

TROUBLESHOOTING GE ECM™ MOTORS

CAUTION:

Disconnect power from unit before removing or replacing connectors, or servicing motor. To avoid electric shock from the motor's capacitors, disconnect power and wait at least 5 minutes before opening motor.

Symptom

Motor rocks slightly when starting

Motor won't start
• No movement

• Motor rocks, but won't start

Motor oscillates up & down while being tested off of blower

Motor starts, but runs erratically

• Varies up and down or intermittent

• "Hunts" or "puffs" at high CFM (speed)

• Stays at low CFM despite system call for cool or heat CFM

• Stays at high CFM

• Blower won't shut off

Excessive noise

• Air noise

Cause/Procedure

• This is normal start up for ECM

- Check blower turns by hand
- Check power at motor
- Check low voltage (24 Vac 2 to 3) at motor
- Check low voltage connections (9, 4, 6, 2, 3) at motor
- Check for unseated pins in connectors on motor harness
- Test with a temporary jumper between 2 - 9
- Check motor for tight shaft
- Perform motor/control replacement check
- **Perform Moisture Check**

- Check for loose or compliant motor mount
- Make sure blower wheel is tight on shaft
- Perform motor/control replacement check

• It is normal for motor to oscillate with no load on shaft

- Check line voltage for variation or "sag"
- Check low voltage connections (9, 4, 6, 2, 3) at motor, unseated pins in motor harness connectors
- Check "Bk" for erratic CFM command (in variable-speed applications)
- Check out system controls, Thermostat
- **Perform Moisture Check**

- Does removing panel or filter reduce "puffing"?
 - Reduce restriction
 - Reduce max airflow

- Check low voltage (Thermostat) wires and connections
- Verify fan is not in delay mode; wait until delay complete
- "2" missing/not connected at motor
- Perform motor/control replacement check

- "2" missing/not connected at motor
- Is fan in delay mode? - wait until delay time complete
- Perform motor/control replacement check

- Current leakage from controls into 9, 4 or 6?
- Check for Triac switched thermostat or solid-state relay

- Determine if it's air noise, cabinet, duct or motor noise; interview customer, if necessary
- High static creating high blower speed?
 - Is airflow set properly?
 - Does removing filter cause blower to slow down? Check filter
 - Use low-pressure drop filter
 - Check/correct duct restrictions

Symptom

• Noisy blower or cabinet

• "Hunts" or "puffs" at high CFM (speed)

Evidence of Moisture

• Motor failure or malfunction has occurred and moisture is present

• Evidence of moisture present inside air mover

Do

- Check out motor, controls, wiring and connections thoroughly before replacing motor

- Orient connectors down so water can't get in
 - Install "drip loops"
- Use authorized motor and model #'s for replacement

- Keep static pressure to a minimum:
 - Recommend high efficiency, low static filters
 - Recommend keeping filters clean.
 - Design ductwork for min. static, max. comfort
 - Look for and recommend ductwork improvement, where necessary

• Size the equipment wisely

• Check orientation before inserting motor connectors

Moisture Check

- Connectors are oriented "down" (or as recommended by equipment manufacturer)
- Arrange harness with "drip loop" under motor
- Is condensate drain plugged?
- Check for low airflow (too much latent capacity)
- Check for undercharged condition
- Check and plug leaks in return ducts, cabinet

Comfort Check

- Check proper airflow settings
- Low static pressure for lowest noise
- Set low continuous-fan CFM
- Use humidistat and 2-speed cooling units
- Use zoning controls designed for ECM that regulate CFM
- Thermostat in bad location?

Cause/Procedure

- Check for loose blower housing, panels, etc.
- High static creating high blower speed?
 - Check for air whistling through seams in ducts, cabinets or panels
 - Check for cabinet/duct deformation

- Does removing panel or filter reduce "puffing"?
 - Reduce restriction
 - Reduce max. airflow

- Replace motor and **Perform Moisture Check**

- **Perform Moisture Check**

Don't

- Automatically assume the motor is bad.

- Locate connectors above 7 and 4 o'clock positions

- Replace one motor or control model # with another (unless an authorized replacement)

- Use high pressure drop filters some have ½" H2O drop!
- Use restricted returns

- Oversize system, then compensate with low airflow

- Plug in power connector backwards
- Force plugs

Replacing ECM Control Module

To replace the control module for the GE variable-speed indoor blower motor, take the following steps:

- It is essential to have the correct replacement module. The controls are factory programmed for specific operating modes. Even though they look alike, different modules may have completely different functionality.
Using the wrong control module voids all product warranties and may produce unexpected results.
- Begin by removing AC power from the unit being serviced. **Do not work on the motor with AC power applied.** To avoid electric shock from the motor's capacitors, disconnect power and wait at least 5 minutes before opening motor.
- It is usually not necessary to remove the motor from the blower assembly. However, it is recommended that the whole blower assembly, with the motor, be removed from the unit. (Follow the manufacturer's procedures.) Unplug the two cable connectors to the motor. There are latches on each connector. **Do not pull on the wires.** The plugs remove easily when properly released.
- Locate the two standard ¼" hex head bolts at the rear of the control housing (at the back end of the control opposite the shaft end). See Figure 9. Remove these two bolts from the motor and control assembly while holding the motor in a way that will prevent the motor or control from falling when the bolts are removed. If an ECM 2.0 control is being replaced (recognized by an aluminum casting rather than a deep-drawn black steel can housing the electronics), remove only the hex-head bolts. **Do not remove the torx-head screws.**
- The control module is now free of mechanical attachment to the motor endshield but is still connected by a plug and three wires inside the control. Carefully rotate the control to gain access to the plug at the control end of the wires. With thumb and forefinger, reach the latch holding the plug to the control and release it by squeezing the latch tab and the opposite side of the connector plug and gently pulling the plug out of the connector socket in the control. **Do not pull on the wires; grip the plug only.**
- The control module is now completely detached from the motor. Verify with a standard ohmmeter that the resistance from each motor lead (in the motor plug just removed) to the motor shell is >100K ohms. See Figure 10. (Measure to unpainted motor end plate.) If any motor lead fails this test, do not proceed to install the control module; **the motor is defective and must be replaced.** Installing the new control module will cause it to fail also.
- Verify that the replacement control is correct for the application. Refer to the manufacturer's authorized replacement list. **Using the wrong control will result in improper or no blower operation.** Orient the control module so that the 3-wire motor plug can be inserted into the socket in the control. Carefully insert the plug and press it into the socket until it latches. **A slight click will be heard when properly inserted.**

- Finish installing the replacement control per one of the three following paragraphs: 8a, 8b or 8c.
 - If replacing an ECM 2.0 control** (control in cast aluminum can with air vents on the back of the can) **with an ECM 2.3 control** (control containing black potting for water protection in black deep-drawn steel case with no vents in the bottom of the can), locate the two through-bolts and plastic tab that are packed with the replacement control. Insert the plastic tab into the slot at the perimeter of the open end of the can so that the pin is located on the inside of the perimeter of the can. Rotate the can so that the tab inserts into the tab locator hole in the endshield of the motor. Using the two through-bolts provided with the replacement control, reattach the can to the motor.

The two through-bolts provided with the replacement ECM 2.3 control are shorter than the bolts originally removed from the ECM 2.0 control and must be used if secure attachment of the control to the motor is to be achieved. **Do not overtighten the bolts.**

- If replacing an ECM 2.3 control with an ECM 2.3 control**, the plastic tab and shorter through-bolts are not needed. The control can be oriented in two positions 180° apart. **Make sure the orientation selected for replacing the control assures the control's cable connectors will be located downward in the application so that water cannot run down the cables and into the control.** Simply orient the new control to the motor's endshield, insert bolts and tighten. **do not overtighten the bolts.**
 - IF REPLACING AN ECM 2.0 CONTROL WITH AN ECM 2.0 CONTROL** (It is recommended that ECM 2.3 controls be used for all replacements), the new control must be attached to the motor using through bolts identical to those removed with the original control. **Do not overtighten the bolts.**
- Re-install the blower/motor assembly into the HVAC equipment. Follow the manufacturer's suggested procedures.
 - Plug the 16-pin control plug into the motor. The plug is keyed. Make sure the connector is properly seated and latched.
 - Plug the 5-pin power connector into the motor. Even though the plug is keyed, **observe the proper orientation. Do not force the connector.** It plugs in very easily when properly oriented. **Reversing this plug will cause immediate failure of the control module.**
 - Final installation check. Make sure the motor is installed as follows:
 - Unit is as far INTO the blower housing as possible.
 - Belly bands are not on the control module or covering vent holes.
 - Motor connectors should be oriented between the 4 o'clock and 8 o'clock positions when the blower is positioned in its final location and orientation.
 - Add a drip loop to the cables so that water cannot enter the motor by draining down the cables (see Figure 11).

The installation is now complete. Reapply the AC power to the HVAC equipment and verify that the new motor control module is working properly. Follow the manufacturer's procedures for disposition of the old control module.

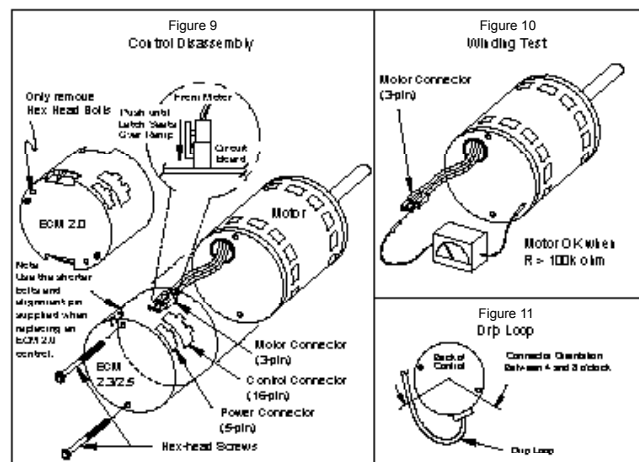


TABLE 7
Indoor Blower Performance ①

Model	Rated ESP	Max ESP	Continuous CFM ②	Rated 1st Stage CFM ③	Rated 2nd Stage CFM ④	5-10 KW CFM ⑤	15-20 KW CFM ⑥
HA/L4S4	0.20	0.80	825	1100	1500	1100	1500
HA/L5S4	0.20	0.80	850	1300	1700	1100	1500

- ① Motor will deliver consistent CFM through voltage supply range with no deterioration.
(197-253V for 230/208V models, 414-506V for 460V models)
- ② Continuous CFM is the total air being circulated during continuous (manual) fan mode.
- ③ Will occur automatically with a call for "Y1" signal from thermostat.
- ④ Will occur automatically with a call for "Y2" signal from thermostat.
- ⑤ Will occur automatically with a call for "W1" signal from thermostat.
- ⑥ Will occur automatically with a call for "W2" or "Emergency Heat" signal from thermostat.

TABLE 8
Optional Accessories – Right Hand Units

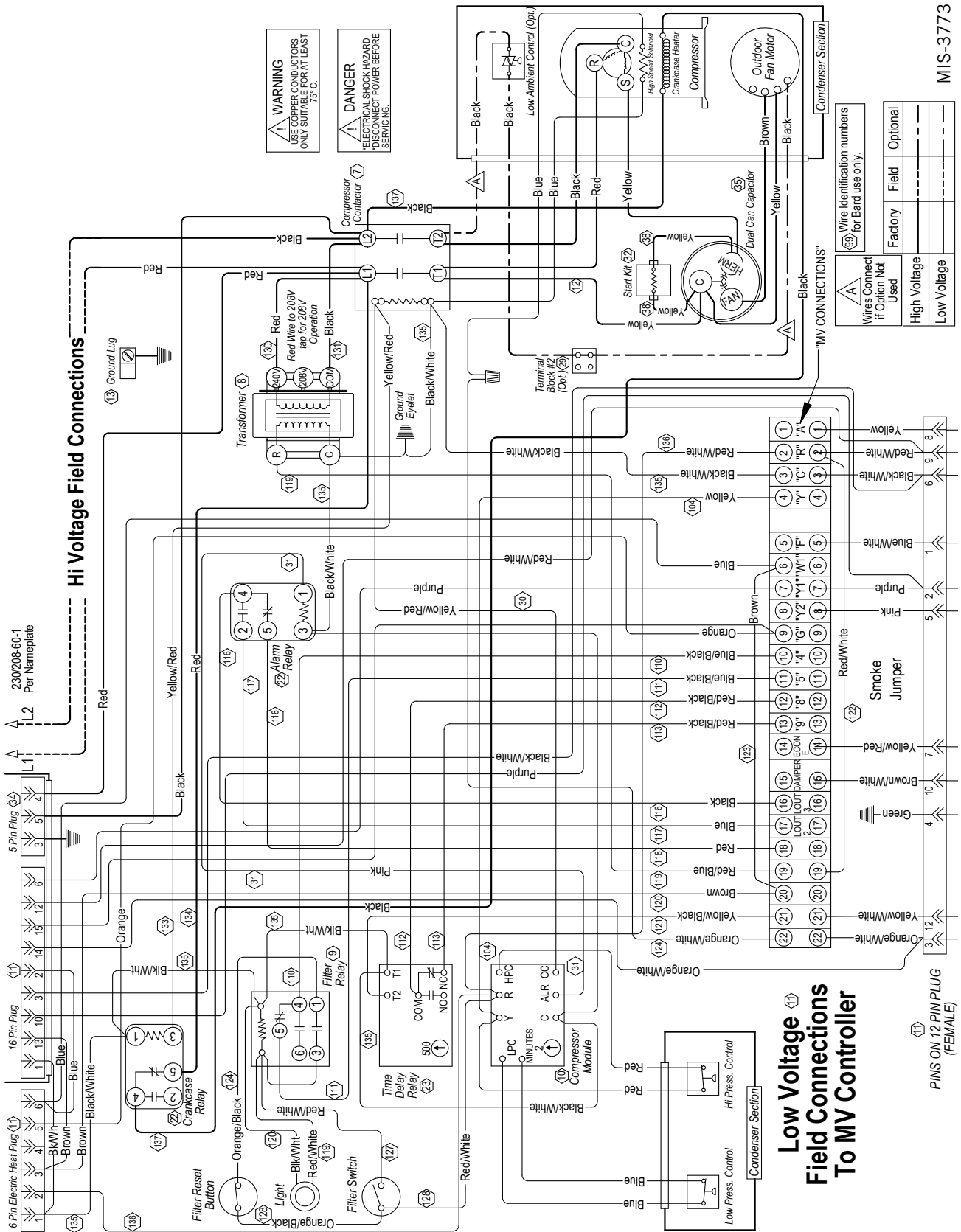
Model		HA4S4KA	HA5S4KA
EHWA4S-A05	Heater Package	X	
EHWA4S-A10	Heater Package	X	
EHWA4S-A15	Heater Package	X	
EHWA5S-A05	Heater Package		X
EHWA5S-A08	Heater Package	X	X
EHWA5S-A10	Heater Package		X
EHWA5S-A15	Heater Package		X
BOP-5	Blank Off Plate (Standard)	X	X

TABLE 9
Optional Accessories – Left Hand Units

Model		HL4S4KA	HL5S4KA
EHWA4S-A05L	Heater Package	X	
EHWA4S-A10L	Heater Package	X	
EHWA4S-A15L	Heater Package	X	
EHWA5S-A05L	Heater Package		X
EHWA5S-A10L	Heater Package		X
EHWA5S-A15L	Heater Package		X
BOP-5	Blank Off Plate (Standard)	X	X

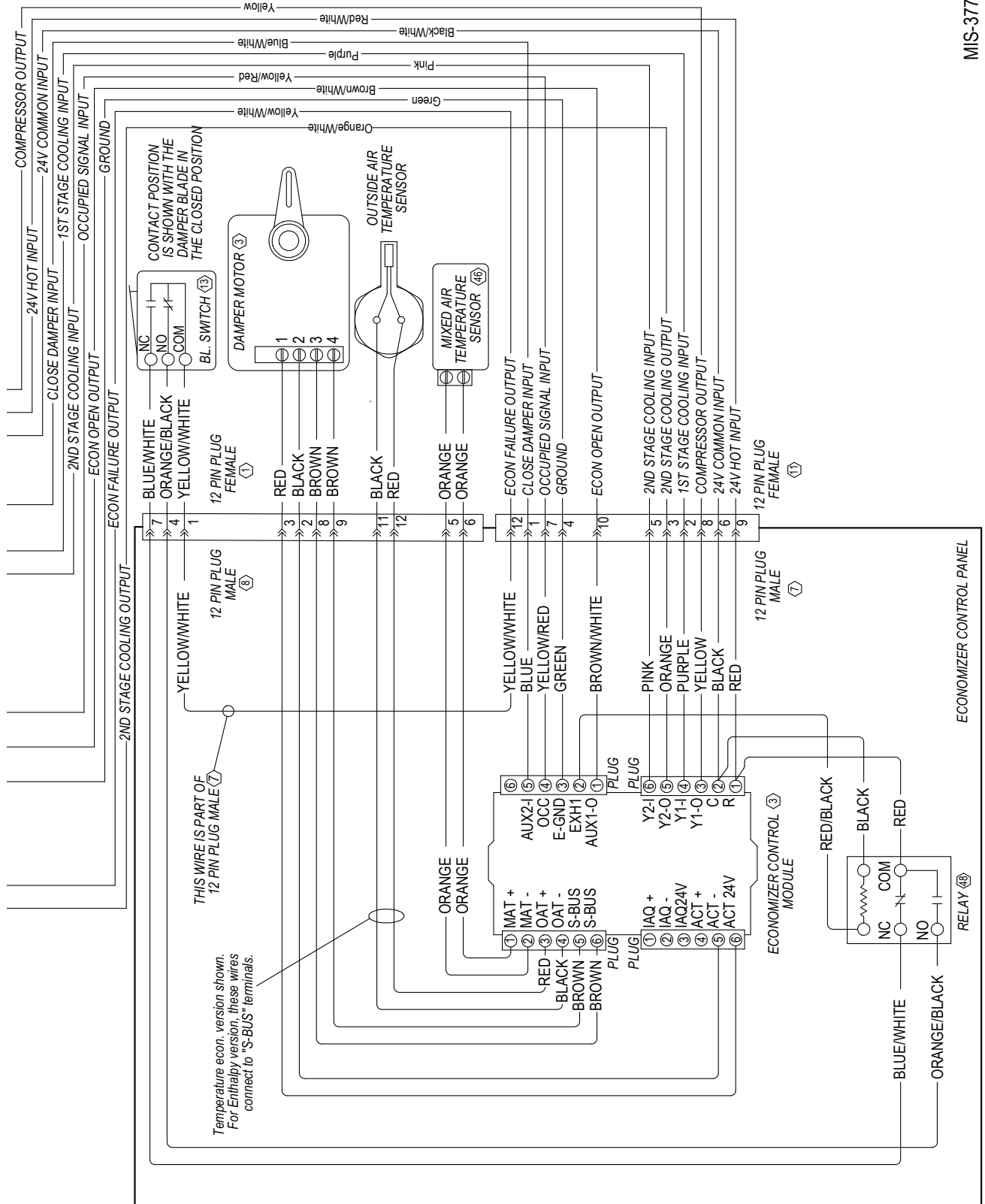
This page intentionally left blank

FIGURE 12A
HS4 Wiring Diagram – Top**



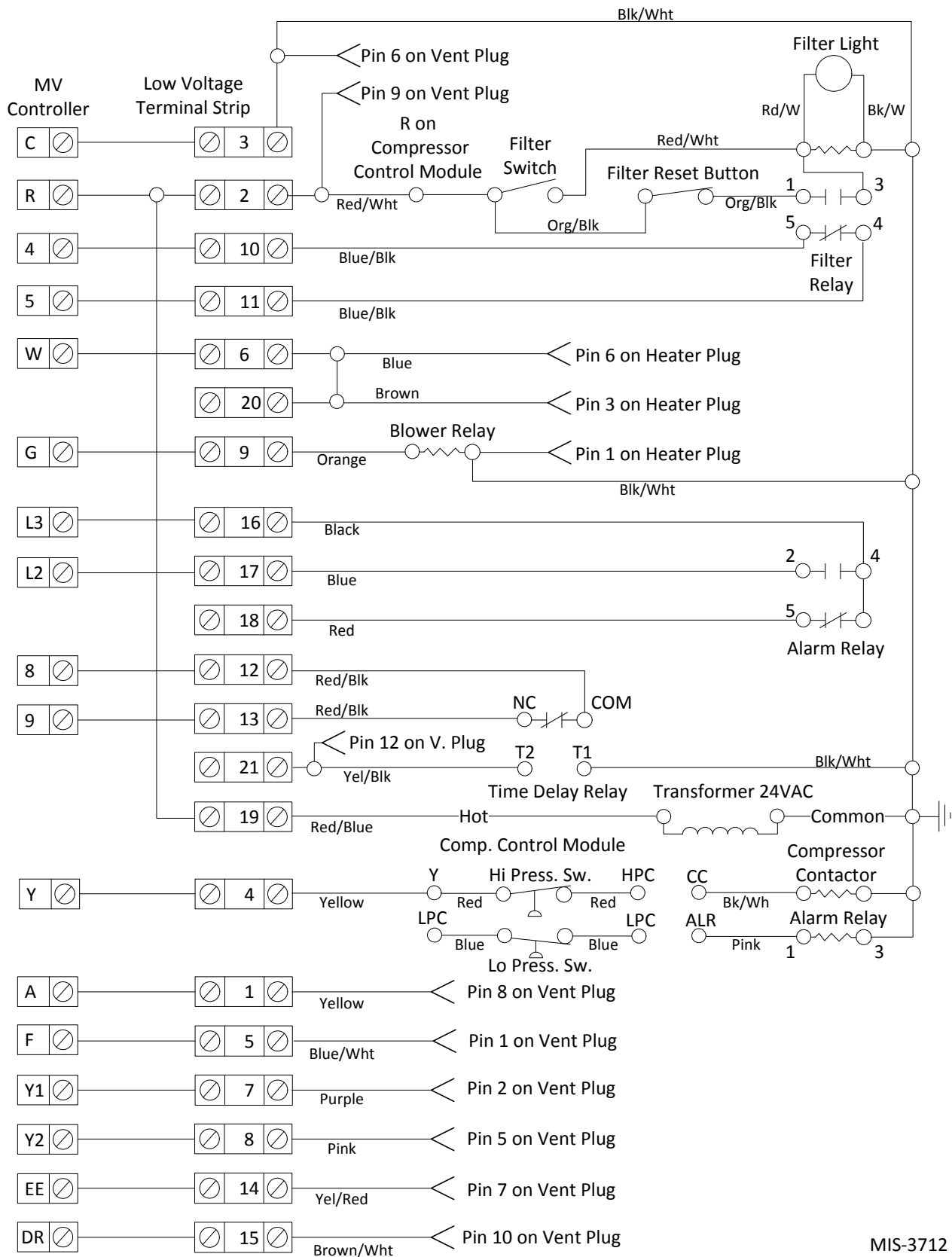
MIS-3773

FIGURE 12B
HS4 Wiring Diagram – Bottom**



MIS-3773

FIGURE 13
HS4 Low Voltage Ladder Diagram for Unit and MV Connections**



MIS-3712