
INSTALLATION INSTRUCTIONS

Full Flow Low Leakage Economizer with Exhaust for Building Applications (To Be Used with Field-Installed DCV Controls)

Model: ECON-NC5



For Use with Bard Single Stage Wall Mount
Air Conditioner and Heat Pump Models:

W42AC, W48AC, W60AC, W72AC
W42HB, W48HB, W60HB, W72HB



Climate Control Solutions

Bard Manufacturing Company, Inc.
Bryan, Ohio 43506
www.bardhvac.com

Manual: 2100-708
Supersedes: **NEW**
Date: 6-13-19

CONTENTS

General Information3

Economizer Model Nomenclature	3
Unpacking	3
General	3
Economizer Features.....	3
Description	3
Models	3

Installation of Field-Installed ECON-NC5.....4

Basic Installation.....	4
Blade Adjustment for Desired Ventilation Air	9

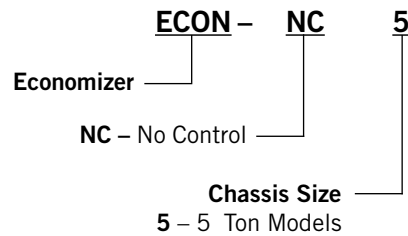
Figures

Figure 1	Disconnect Power	4
Figure 2	Remove Side Grilles	4
Figure 3	Remove Blower Door and Control Panel Cover	4
Figure 4	Remove Blank Off Plates (Both Sides)....	5
Figure 5	Remove Exhaust Blank Off Plate	5
Figure 6	Remove Air Filters and Low Voltage Control Panel Cover.....	5
Figure 7	Install Outdoor Air Sensor	5
Figure 8	Route Sensor Wires and Fasten to Motor Mount.....	6
Figure 9	Remove Wire Channel Covers	6
Figure 10	Install 3000-1627 Wire Harness	6
Figure 11	Route Wires into Wire Channel and Connect to Wire Harness.....	6
Figure 12	Pull Wire into Exhaust Area and Fasten with Ties.....	7
Figure 13	Install Economizer	7
Figure 14	Control Plug Centered in Plug Access Opening	7
Figure 15	Connect Economizer Power Plug to Control Panel Plug	7
Figure 16	Release the Exhaust Blade.....	8
Figure 17	Exhaust Blade and Latch	8
Figure 18	Install Intake Sealing Frame and Lower Block Off Plates	8
Figure 19	Install Mist Filters.....	8
Figure 20	Install Bug Screen and Gaskets	9
Figure 21	Required Control Connections for ECON-NC5 with Air Conditioners	10
Figure 22	Required Control Connections for ECON-NC5 with Heat Pumps	11
Figure 23	Call for Ventilation With or Without Compressor Operation	14
Figure 24	Call for Compressor or Fan Only with Ventilation Off	14
Figure 25	Wiring Diagram	15

Graphs

Graph 1	W42AC ECON-E & WD Ventilation Delivery.....	12
Graph 2	W48AC ECON-E & WD Ventilation Delivery.....	12
Graph 3	W60AC ECON-E & WD Ventilation Delivery.....	13
Graph 4	W72AC ECON-E & WD Ventilation Delivery.....	13

Economizer with Exhaust Model Nomenclature



Unpacking

Upon receipt of the equipment be sure to compare the model number found on the shipping label with the accessory identification information on the ordering and shipping document to verify that the correct accessory has been shipped.

Inspect the carton housing of each economizer as it is received, and before signing the freight bill, verify that all items have been received and that there is no visible damage (check parts list below). Note any shortages or damage on all copies of the freight bill. The receiving party must contact the last carrier immediately, preferably in writing, requesting inspection by the carrier's agent. Concealed damage not discovered until after loading must be reported to the carrier within 15 days of its receipt.

General

The economizer should only be installed by a trained heating and air conditioning technician. These instructions serve as a guide to the technician installing the economizer package. They are not intended as a step-by-step procedure with which the mechanically inclined owner can install the package.

The economizer is shipped in one carton which contains the electrical harness, miscellaneous hardware and installation instructions.

Economizer kit includes:

- (1) ECON-NC5 ventilator
- (1) 910-2017 sensor assembly
- (1) 3000-1627 wire assembly
- (2) 7003-084 mist filters
- (1) 7003-083 exhaust bug screen
- (2) 1913-002-0808 8-1/2" foam strips
- (4) 1913-002-0708 7-1/2" foam strips
- (2) 539-405 intake sealing frames
- (2) 543-223 lower block off plates
- (24) #10-16x1/2 screws
- (4) #8-18x3/8 pan head screws
- (1) 2100-708 installation instructions

Economizer Features

- One piece construction.
- Exhaust air damper – built in with positive closed position. Provides exhaust air capability to prevent pressurization of tight buildings.
- Actuator motor – 24 volt, power open, spring return with built in torque limiting switch.

Description

ECON-NC economizers are designed to be used with the wall mount series air conditioners and heat pumps, shown in Table 1, equipped with low ambient controls and field-installed controller. They are electromechanical economizer systems designed to provide “free” cooling where the outdoor air temperature is cool enough to provide the needed cooling without running the compressor, or in addition to the compressor.

When cooling is required, the system automatically takes advantage of cold outdoor air when available and uses it for first stage cooling. This then reduces the need to run the air conditioning compressor providing lower operating costs and increasing the service life of the equipment. If the outdoor air temperature is too warm to be sufficient for cooling, the dry bulb outdoor air temperature sensor detects the condition and should automatically close the outdoor air intake/exhaust damper, open the return air damper and switch to compressor-only operation.

Models

When installed in the models listed on the front page, the ECON-NC5 provides built-in exhaust provisions. When the damper blade opens to bring fresh air in, the damper also opens an exhaust relief. The exhaust air will flow into the condenser section of the unit. The condenser fan will help draw exhaust air out when it is operating with compressor in cooling or heat pump mode.

INSTALLATION OF FIELD-INSTALLED ECON-NC5

Basic Installation

WARNING

Electrical shock hazard.
Disconnect remote electrical power supply or supplies before servicing.
Failure to do so could result in electric shock or death.

WARNING

Exposed moving parts.
Disconnect electrical power before servicing.
Failure to do so could result in severe injury or amputation.

CAUTION

Cut hazard.
Wear gloves to avoid contact with sharp edges.
Failure to do so could result in personal injury.

Disconnect all power to unit (see Figure 1).

FIGURE 1
Disconnect Power



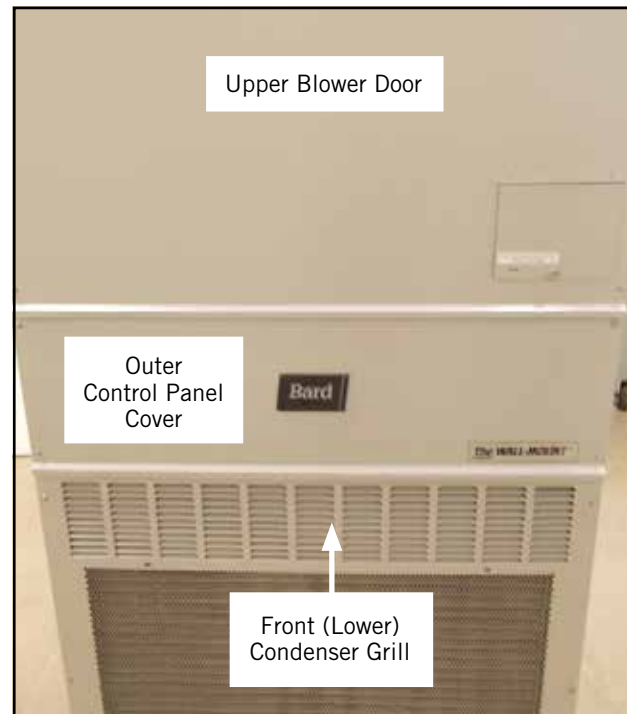
Remove both side grilles (see Figure 2).

FIGURE 2
Remove Side Grilles



Remove upper blower door, outer control panel cover and front (lower) condenser grille (see Figure 3).

FIGURE 3
Remove Blower Door, Outer Control Panel Cover and Condenser Grille



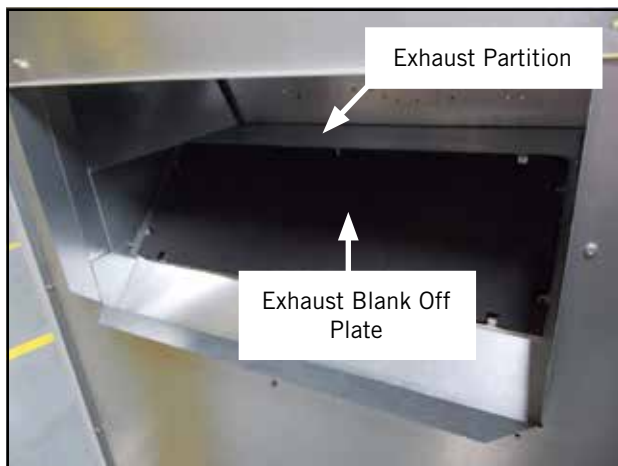
Remove blank off plates (both sides) and discard (see Figure 4).

FIGURE 4
Remove Blank Off Plates (Both Sides)



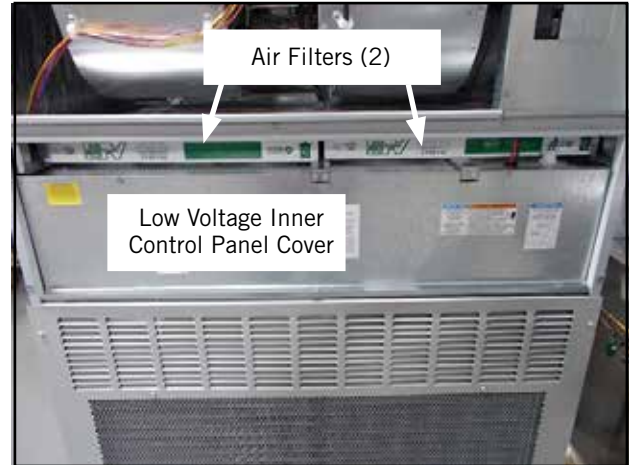
Remove exhaust blank off plate through return or through side intake openings and discard (see Figure 5).

FIGURE 5
Remove Exhaust Blank Off Plate



Remove both air filters and the low voltage inner control panel cover (see Figure 6). Remove left filter first then slide right filter to the left to remove.

FIGURE 6
Remove Air Filters and Low Voltage Control Panel Cover



Install the 8301-066 outdoor air sensor as shown in Figure 7 using the holes provided with two (2) #10-16x1/2 screws. View shown from left side.

FIGURE 7
Install Outdoor Air Sensor



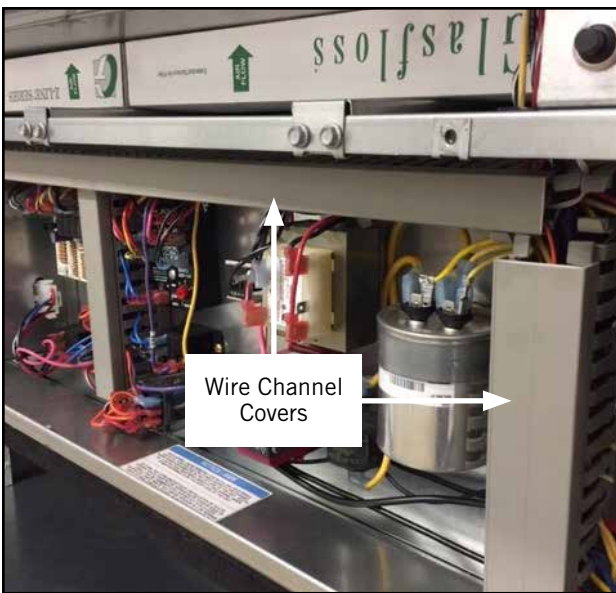
Route the sensor wires over the top of the outdoor fan motor and up through the condenser partition bushing. Fasten the wires to the motor mount as shown in Figure 8 using (4) 7950-004 ladder ties provided.

FIGURE 8
Route Sensor Wires and Fasten to Motor Mount



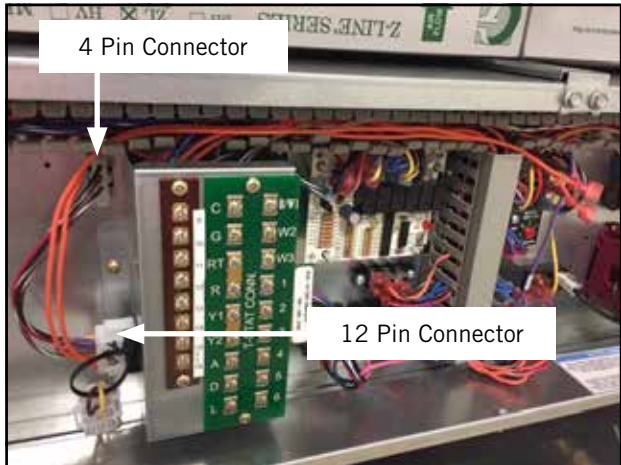
Remove wire channel covers (see Figure 9).

FIGURE 9
Remove Wire Channel Covers



Install the 3000-1627 wire harness: The 4 pin connector snaps into the back of the control panel for the economizer to plug into, the 12 pin connector plugs into the low voltage box and the orange wires run in the wire channel and plug onto the sensor wires. See Figure 10.

FIGURE 10
Install 3000-1627 Wire Harness



Route the orange sensor wires up through the lower control panel bushing and into the wire channel (see Figure 11). Plug the wires into the 3000-1627 wire harness that plugs into the 12 pin low voltage connector.

FIGURE 11
Route Wires into Wire Channel and Connect to Wire Harness



Pull the excess sensor wire down into the exhaust area and fasten with two (2) 7950-004 ladder ties.

FIGURE 12
Pull Wire into Exhaust Area and Fasten with Ties



Before installing, remove economizer from packaging and verify there is no damage. Install the economizer as shown in Figure 13.

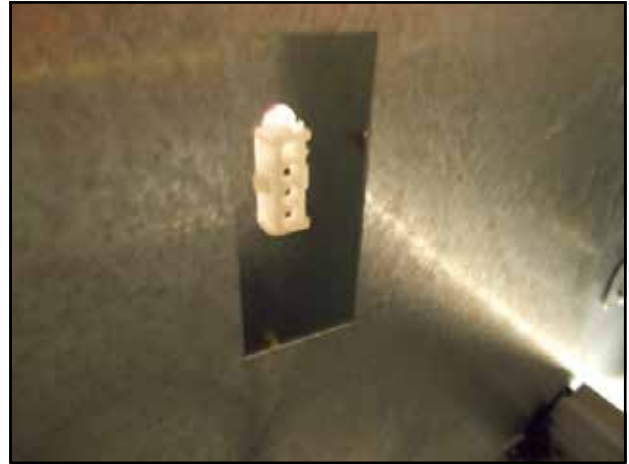
Set economizer on the exhaust partition (see Figure 5 on page 5) and slide in until flush with the side of the wall mount. Economizer can be installed from either side.

FIGURE 13
Install Economizer



When the economizer is fully installed, the control plug should be centered in the plug access opening on the front panel of the economizer as shown in Figure 14.

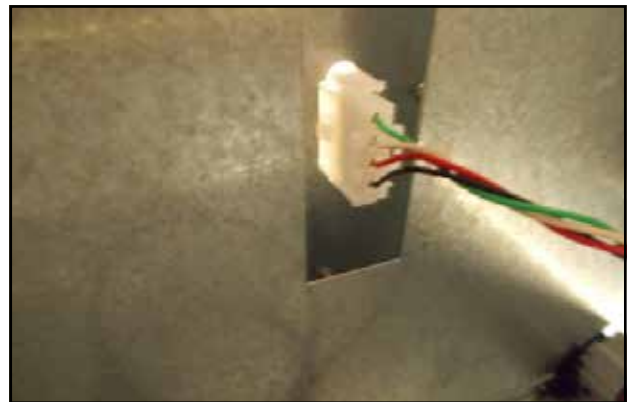
FIGURE 14
Control Plug Centered in Plug Access Opening



From the front, through the filter opening, plug the economizer power plug into the control panel plug (see Figure 15).

IMPORTANT: Sharp edges--PPE required.

FIGURE 15
Connect Economizer Power Plug to Control Panel Plug



The ECON-NC5 exhaust blade is fixed in the shipping position by the latch located on the bottom of the blade (see Figure 16). Access can be made through the return air opening or through the opening under the economizer. Turning the latch 1/4 turn will release the blade.

FIGURE 16
Release the Exhaust Blade



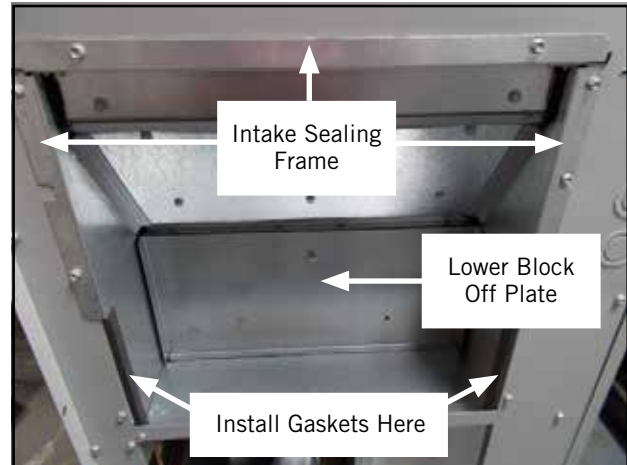
Make sure the blade seats correctly over the exhaust opening and that the latch is as shown in Figure 17.

FIGURE 17
Exhaust Blade and Latch



Install the 539-405 intake sealing frame and the 543-223 lower block off plates (both sides) as shown in Figure 18. Install two (2) 1913-002-0708 7-1/2" foam gaskets below the intake sealing frame (both sides).

FIGURE 18
Install Intake Sealing Frame and Lower Block Off Plates



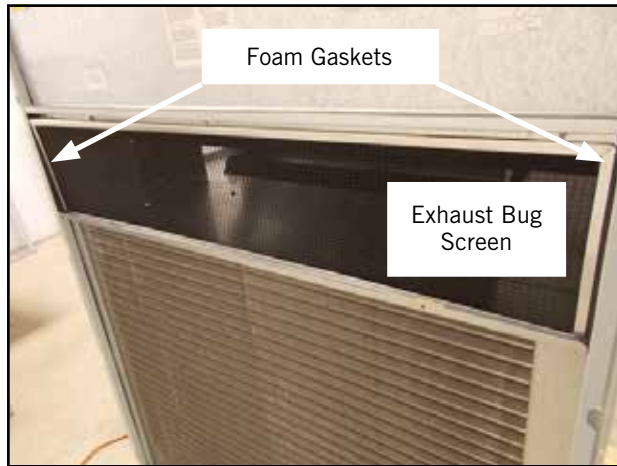
Install 7003-084 mist filters on both sides (see Figure 19). Then re-install the side grilles removed earlier.

FIGURE 19
Install Mist Filters



Install the 7003-083 exhaust bug screen (see Figure 20). Install two (2) 1913-002-0808 8-1/2" foam gaskets to sides of cabinet. Re-install front lower (condenser) grille.

FIGURE 20
Install Bug Screen and Gaskets



Restore power to unit.

Refer to airflow charts on pages 10 and 11 for fresh air CFM vs. voltage input to economizer.

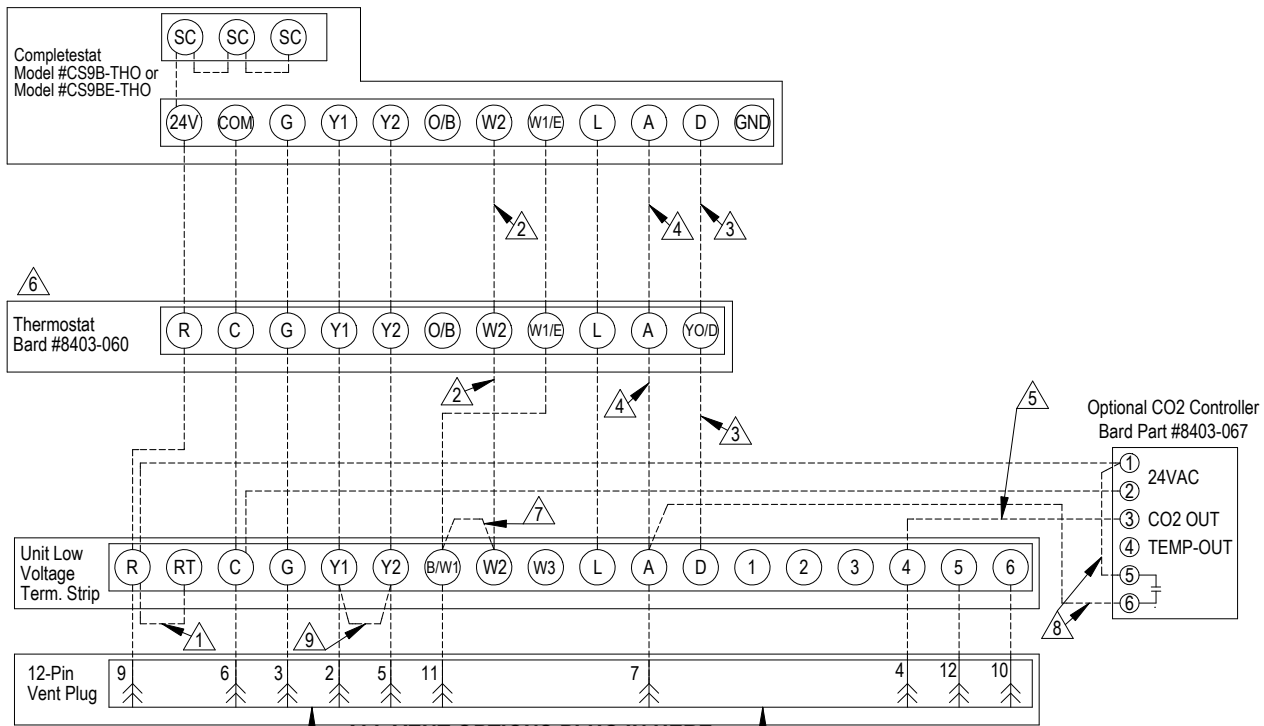
Blade Adjustment for Desired Ventilator Air

The amount of ventilation air supplied by the economizer is dependant on four factors.

1. Return air duct static pressure drop.
2. Supply air duct static pressure drop.
3. Indoor blower motor speed.
4. Damper blade open position setting.

Refer to the appropriate graph on pages 12 and 13 to determine the blade setting.

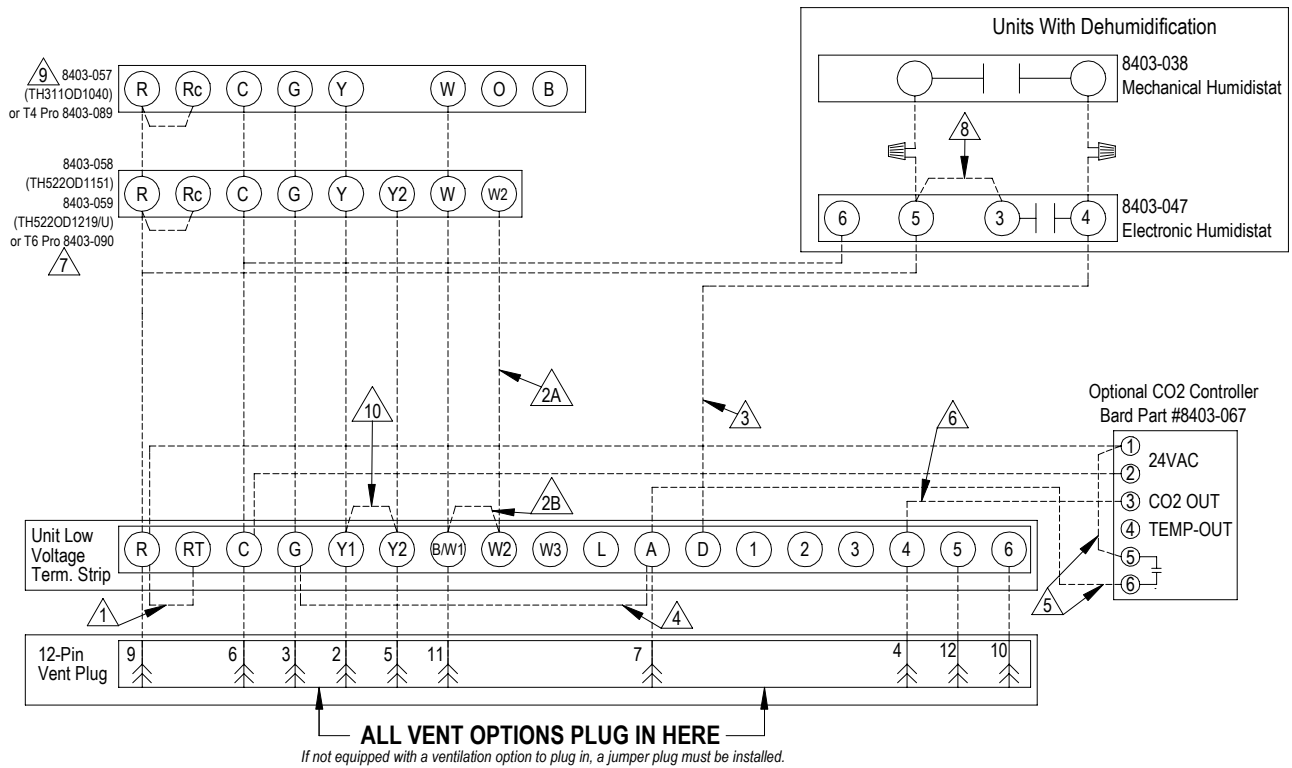
FIGURE 21
Required Control Connections for ECON-NC5 with Air Conditioners



- △1 Factory installed jumper. Remove jumper and connect to N.C fire alarm circuit if emergency shutdown required.
- △2 Wire not needed below 15KW.
- △3 Wire required for dehumidification models only.
- △4 Do not connect "A" from thermostat if optional CO2 controller is used
- △5 0-10 VDC modulating CO2 control signal for modulating ventilation control (optional for ECON only - see vent instruction manuals)
- △6 Change model configuration from heat pump to heat/cool. Must be configured to programmable and fan set to be programmed fan for the "A" output to function during scheduled occupied periods. Must be configured for multi-stage for Y1 output to be active 1st stage cooling. For dehumidification, must be configured for "No Economizer" for YO/D to be active for humidity control.
- △7 Install jumper for 1 stage electric heat on units with less than 15KW
- △8 Do not add these wires if setting up for modulating control. See note 7.
- △9 Factory installed jumper. Remove jumper to activate Balanced Climate™ mode. A 2-stage thermostat is recommended for Balanced Climate mode.

MIS-3974 A

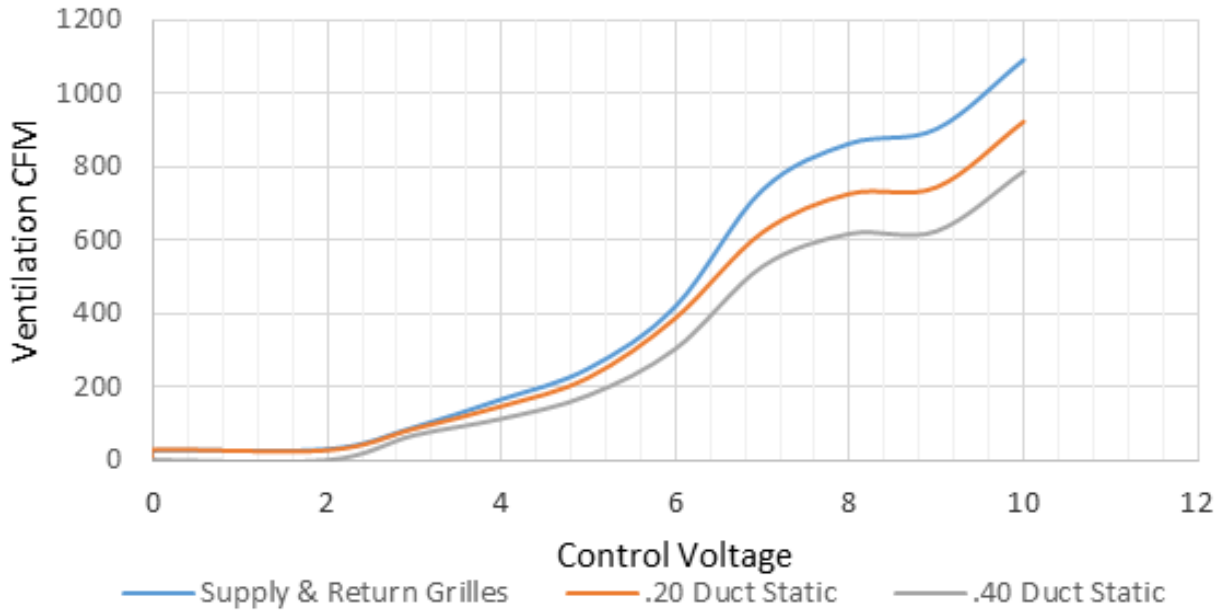
FIGURE 22
Required Control Connections for ECON-NC5 with Heat Pumps



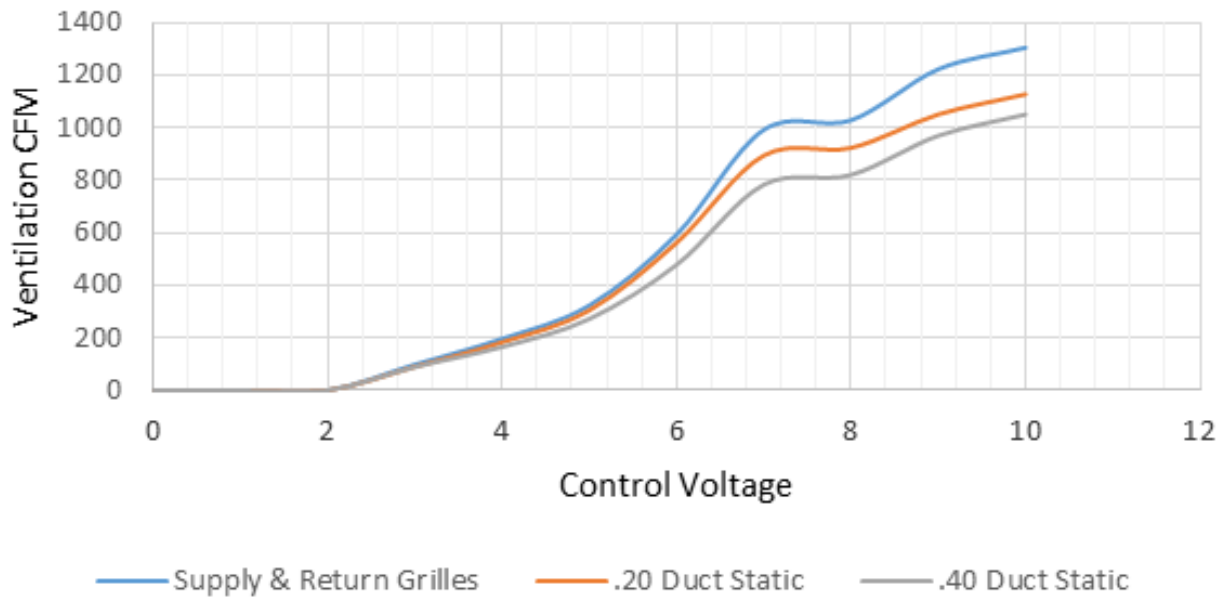
- ⚠ 1 Factory installed jumper. Remove jumper and connect to N.C fire alarm circuit if emergency shutdown required.
- ⚠ 2A Wire not needed below 15KW.
- ⚠ 2B Install Jumper for 1 stage electric heat on units with more than 10KW.
- ⚠ 3 Wire required for dehumidification models only.
- ⚠ 4 For vent operation, add jumper if optional CO2 controller is not used. Vent will run while blower is energized.
- ⚠ 5 Do not add these wires if setting up for modulating control. See note 7.
- ⚠ 6 0-10 VDC Modulating CO2 control signal for modulating ventilation control (Optional for ECON Only) - See vent installation manual.
- ⚠ 7 For 8403-058, change "system type", set up Function 1, From 5 (2 Heat/ 1 Cool heat Pump) to 6 (2 Heat / 2 Cool Conventional). For 8403-059, No change required.
- ⚠ 8 Jumper needs added.
- ⚠ 9 Thermostat will not work with units equipped with economizers.
- ⚠ 10 Factory installed jumper. Remove jumper to activate Balanced Climate™ Mode. A 2-stage thermostat is recommended for Balanced Climate mode.

MIS-3975 A

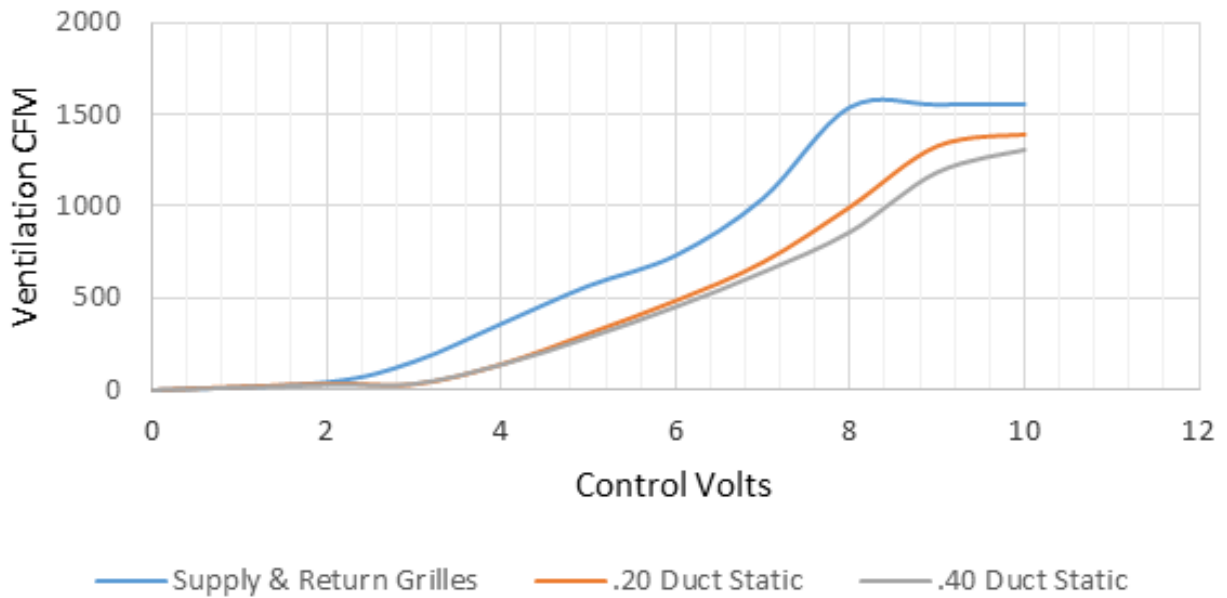
GRAPH 1
W42AC ECON-E & WD Ventilation Delivery



GRAPH 2
W48AC ECON-E & WD Ventilation Delivery



GRAPH 3
W60AC ECON-E & WD Ventilation Delivery



GRAPH 4
W72AC ECON-E & WD Ventilation Delivery

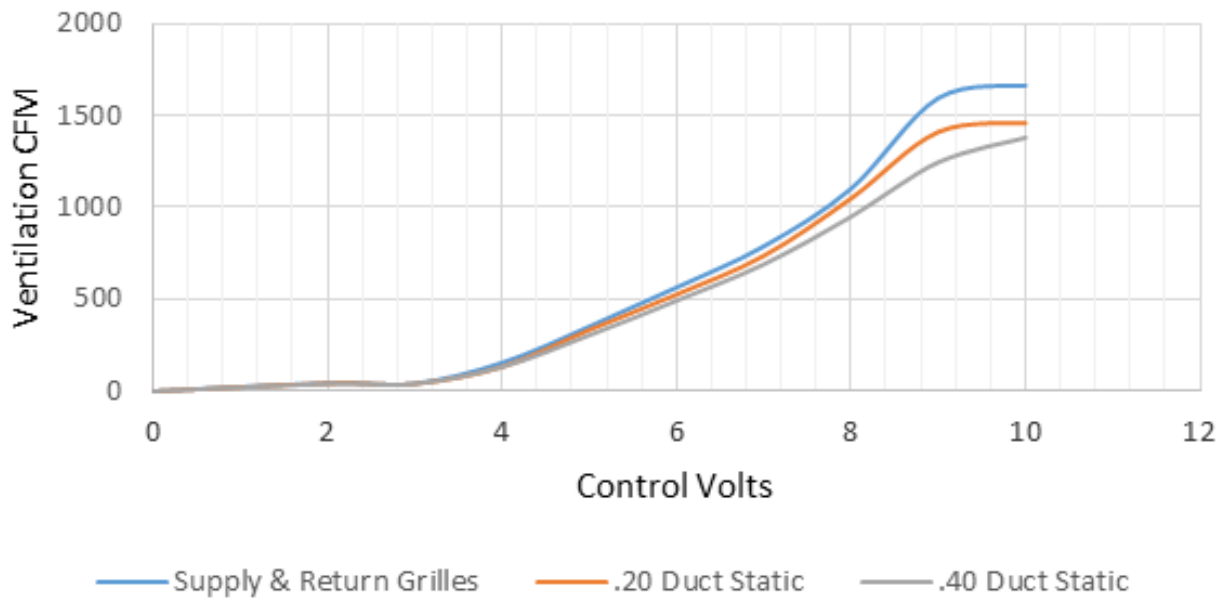
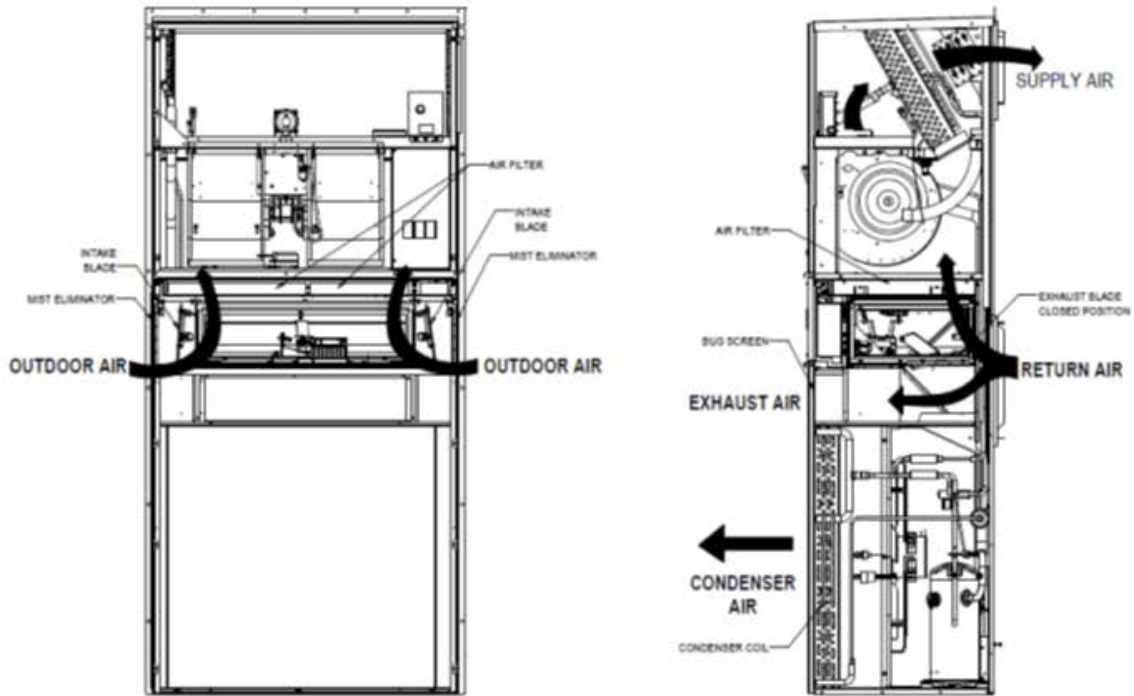
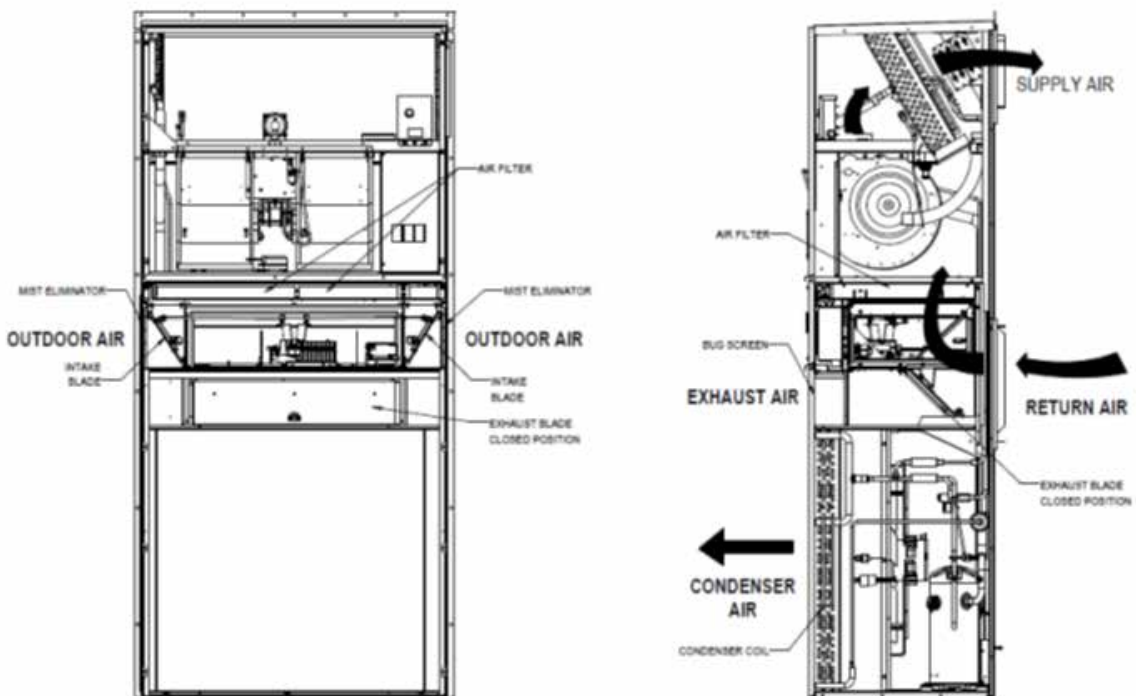


FIGURE 23
Call for Ventilation With or Without Compressor Operation



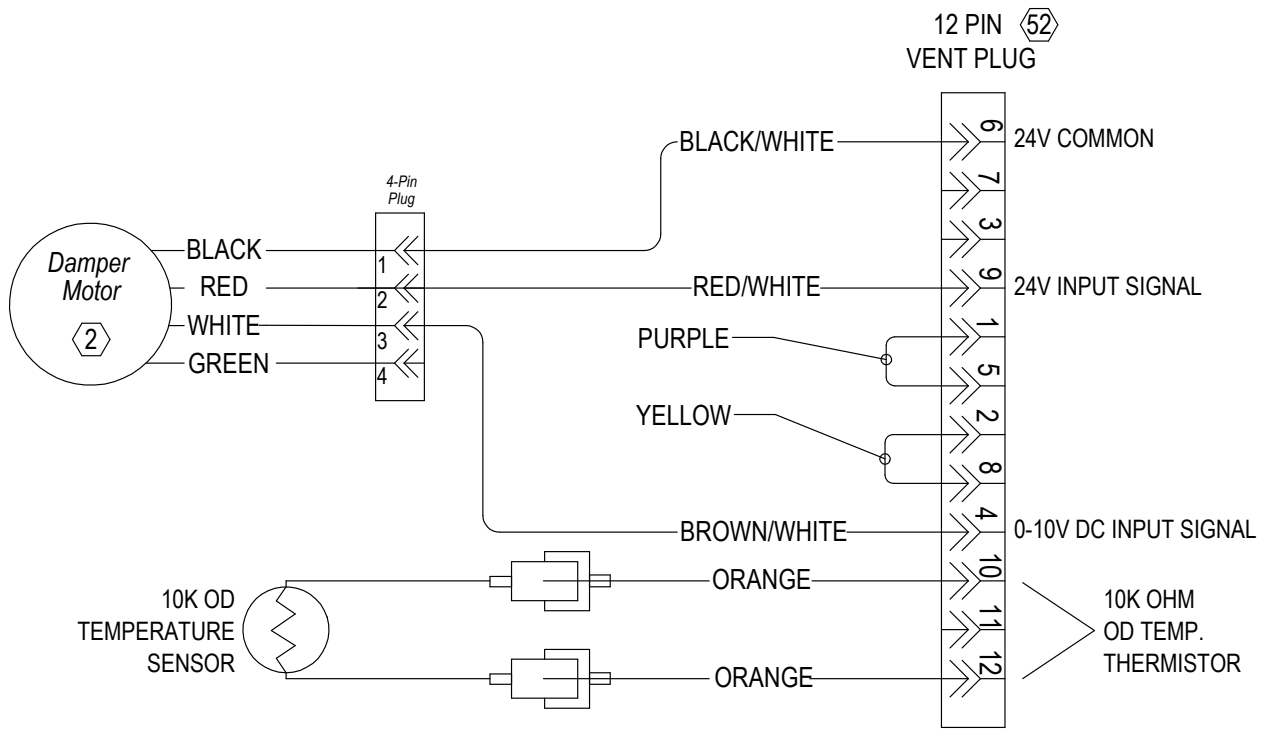
MS-4036

FIGURE 24
Call for Compressor or Fan Only with Ventilation Off



MS-4037

FIGURE 25
Wiring Diagram



NO CONTROL ECONOMIZER WIRING DIAGRAM

4056-247