

REPLACEMENT PARTS MANUAL

SPLIT AIR CONDITIONER MODELS 18ECQ2, 18ECQ4, 24ECQ4, 24ECQ5

Manual 2110-001

Revision A

Date 03-01-90

Supersedes 07-11-89

* GENERAL NOTES *

*Revised and/or additional pages may be issued from time to time.
*A complete and current manual consists of pages dated as shown in the following index.

** INDEX **

<u>Page Description</u>	<u>Page</u>	<u>Date</u>	<u>Supersedes</u>
Functional and Cabinet Components--Exploded View	1	3-01-90	7-11-89
" " " --Usage List	2	3-01-90	7-11-89

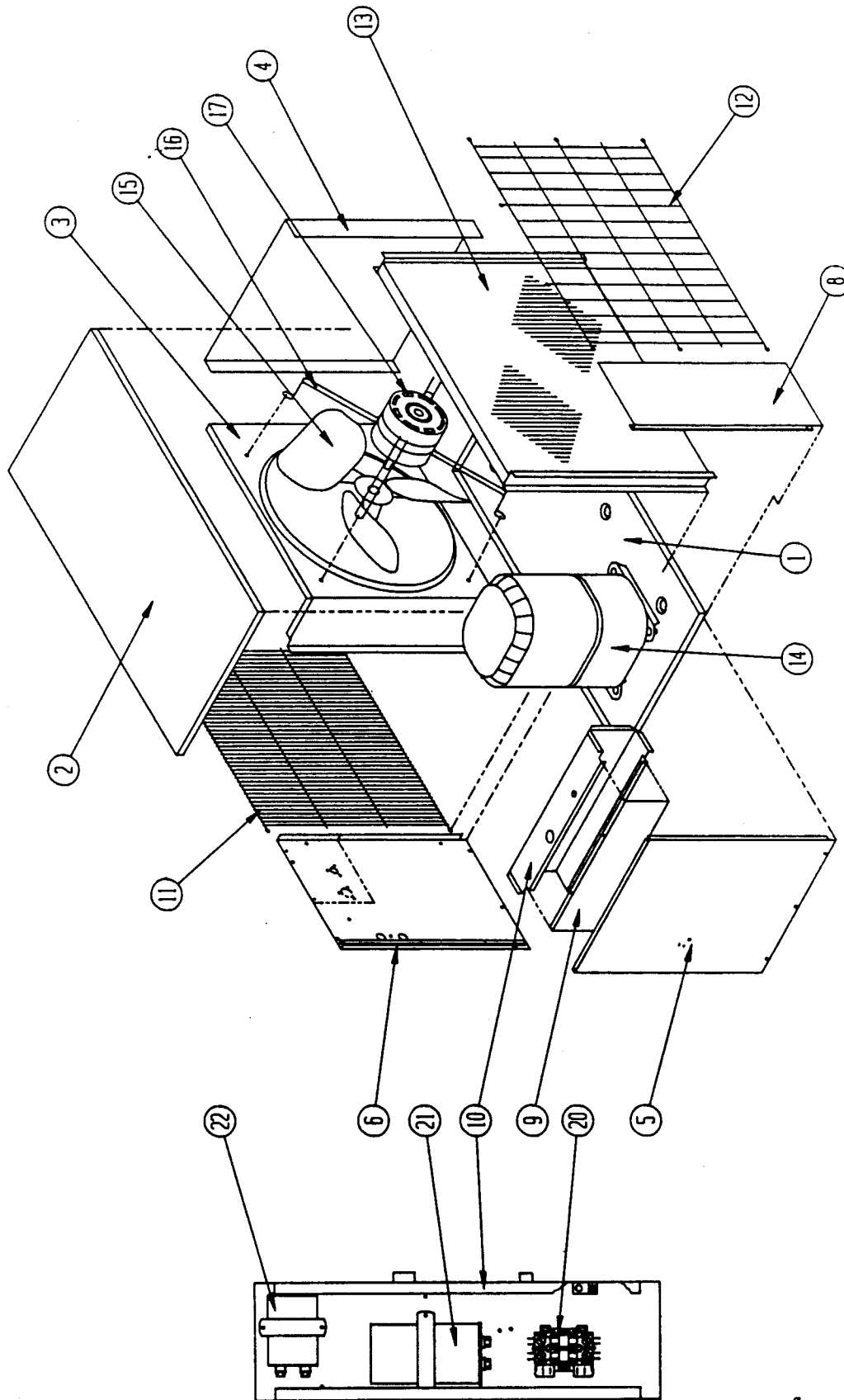
*** IMPORTANT ***

Contact the installing and/or local Bard distributor for all parts requirements. Make sure you have the complete model and serial number available from the unit rating plate.

BARD MANUFACTURING COMPANY

BRYAN, OHIO 43506

FUNCTIONAL AND CABINET COMPONENTS



Date: 03-01-90
Supersedes: 07-11-89

FUNCTIONAL AND CABINET COMPONENTS

Item No.	Part No.	Description	1 8 E C Q 2	1 8 E C Q 2	1 8 E C Q 4	1 8 E C Q 4	2 4 E C Q 4	2 4 E C Q 4	2 4 E C Q 5	2 4 E C Q 5
1	127-015	Base Assembly	X	X	X	X	X	X	X	X
2	106-015	Top	X	X	X	X	X	X	X	X
3	124-005	Fan Shroud	X	X	X	X	X	X	X	X
4	100-122	Side	X	X	X	X	X	X	X	X
5	152-014	Access Door	X	X	X	X	X	X	X	X
6	148-025	Compressor Corner	X	X	X	X	X	X	X	X
8	148-038	Coil Corner	X	X	X	X	X	X	X	X
9	132-019	Control Panel Cover	X	X	X	X	X	X	X	X
10	117-032	Control Panel	X	X	X	X	X	X	X	X
11	7051-010	Inlet Air Grille	X	X	X	X	X	X	X	X
12	7051-009	Condenser Grille	X	X	X	X	X	X	X	X
13	5051-011	Condenser Coil	X	X	X	X				
13	5051-013	Condenser Coil					X	X	X	X
14	8000-038	Compressor AH5531E						X		
14	8000-061	Compressor RES3-0175-PFV	X							
14	8000-071	Compressor AB225HT					X			
14	8000-076	Compressor AB5524G		X						
14	8000-100	Compressor AW5517F			X					
14	8000-111	Compressor AW5524E							X	
14	8000-112	Compressor AW5524E 50HZ								X
14	8000-113	Compressor AW5517F 50HZ				X				
15	5151-001	Fan Blade TF1839	X	X	X	X	X	X	X	X
16	8200-001	Motor Mount--Fan	X	X	X	X	X	X	X	X
17	8103-008	Motor--Fan 1/5 H.P.	X		X		X		X	
17	8103-010	Motor--Fan 1/5 H.P.		X		X		X		X
20	8401-007	Contactor--Comp 25A	X	X	X	X	X	X	X	X
21	8552-007	Capacitor 20/15--370V		X			X	X		
21	8552-044	Capacitor 15/10--370V	X							
21	8552-046	Capacitor 25+5/370V			X	X				
21	8552-048	Capacitor 35+5/370V							X	X
22	8552-002	Capacitor 5/370V	X	X			X	X		
	4021-110	Wiring Diagram	X				X			
	4021-410	Wiring Diagram		X				X		
	4062-111	Wiring Diagram			X				X	
	4062-411	Wiring Diagram				X				X

Date: 3-01-90
Supersedes: 7-11-89