

# REPLACEMENT PARTS MANUAL

## SPLIT AIR CONDITIONER MODELS 18ECQ2, 18ECS2, 24ECQ4, 24ECS4

Manual 2110-001

Revision --

Date 7-11-89

Supersedes

\*\*\*\*\*  
\* GENERAL NOTES \*  
\*\*\*\*\*

\*Revised and/or additional pages may be issued from time to time.  
\*A complete and current manual consists of pages dated as shown in the following index.

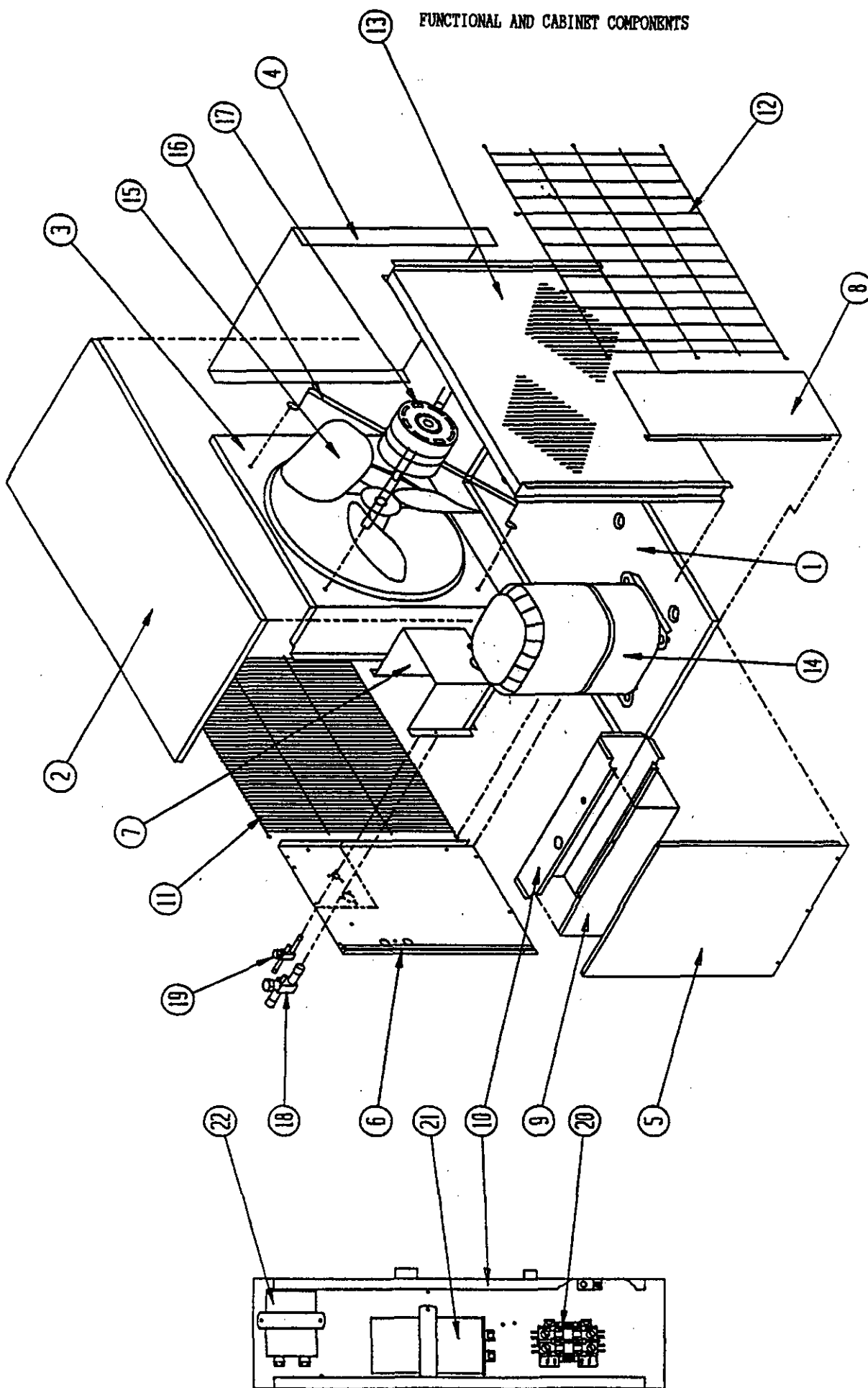
\*\*\*\*\*  
\*\* INDEX \*\*  
\*\*\*\*\*

<u>Page Description</u>	<u>Page</u>	<u>Date</u>	<u>Supersedes</u>
Functional and Cabinet Components--Exploded View	1	7-11-89	
" " " --Usage List	2	7-11-89	

\*\*\*\*\*  
\*\*\* IMPORTANT \*\*\*  
\*\*\*\*\*

Contact the installing and/or local Bard distributor for all parts requirements. Make sure you have the complete model and serial number available from the unit rating plate.

FUNCTIONAL AND CABINET COMPONENTS



Date: 7-11-89  
Supersedes:

FUNCTIONAL AND CABINET COMPONENTS

Item No.	Part No.	Description	1 8 E C Q 2	1 8 E C Q 2   D	1 8 E C S 2	2 4 E C Q 4	2 4 E C Q 4   D	2 4 E C S 4
1	127-015	Base Assembly	X	X	X	X	X	X
2	106-015	Top	X	X	X	X	X	X
3	124-005	Fan Shroud	X	X	X	X	X	X
4	100-122	Side	X	X	X	X	X	X
5	152-014	Access Door	X	X	X	X	X	X
6	148-065	Compressor Corner			X			X
6	148-025	Compressor Corner	X	X		X	X	
7	140-124	Base Valve Support			X			X
8	148-038	Coil Corner	X	X	X	X	X	X
9	132-019	Control Panel Cover	X	X	X	X	X	X
10	117-032	Control Panel	X	X	X	X	X	X
11	7051-010	Inlet Air Grille	X	X	X	X	X	X
12	7051-009	Condenser Grille	X	X	X	X	X	X
13	5051-011	Condenser Coil	X	X	X			X
13	5051-013	Condenser Coil				X	X	X
14	8000-038	Compressor AH5531E					X	
14	8000-061	Compressor RES3-0175-PFV	X		X			
14	8000-071	Compressor AB225BT				X		X
14	8000-076	Compressor AB5524G		X				
15	5151-001	Fan Blade TF1839	X	X	X	X	X	X
16	8200-001	Motor Mount--Fan	X	X	X	X	X	X
17	8103-008	Motor--Fan 1/5 H.P.	X		X	X		X
17	8103-010	Motor--Fan 1/5 H.P.		X			X	
18	5651-053	Base Valve			X			X
19	5651-051	Base Valve			X			X
20	8401-007	Contactor--Comp 25A	X	X	X	X	X	X
21	8552-044	Capacitor 15/10--370V	X		X			
21	8552-007	Capacitor 20/15--370V		X		X	X	X
22	8552-002	Capacitor 5/370V	X	X	X	X	X	X
	4021-110	Wiring Diagram	X		X	X		X
	4021-410	Wiring Diagram		X			X	

Date: 7-11-89  
Supersedes: