

# REPLACEMENT PARTS MANUAL

SPLIT  
AIR CONDITIONER  
MODELS 18ECQ4D020, 24ECQ5D020, 30ECQ5D020,  
36ECQ5D020, 42ECQ1D020, 48ECQ2D020, 60ECQ1D020

Manual 2110-006

Revision B

Date 10-01-91

Supersedes 05-02-91

\*\*\*\*\*  
\* GENERAL NOTES \*  
\*\*\*\*\*

\*Revised and/or additional pages may be issued from time to time.  
\*A complete and current manual consists of pages dated as shown in the following index.

\*\*\*\*\*  
\*\* INDEX \*\*  
\*\*\*\*\*

| <u>Page Description</u>                          | <u>Page</u> | <u>Date</u> | <u>Supersedes</u> |
|--|-------------|-------------|-------------------|
| Functional and Cabinet Components--Exploded View | 1           | 05-01-91    |                   |
| " " " --Usage List                               | 2           | 05-01-91    |                   |
| Functional and Cabinet Components--Exploded View | 3           | 05-01-91    |                   |
| " " " --Usage List                               | 4           | 05-01-91    |                   |
| Functional and Cabinet Components--Exploded View | 5           | 05-02-91    |                   |
| " " " --Usage List                               | 6           | 05-02-91    |                   |

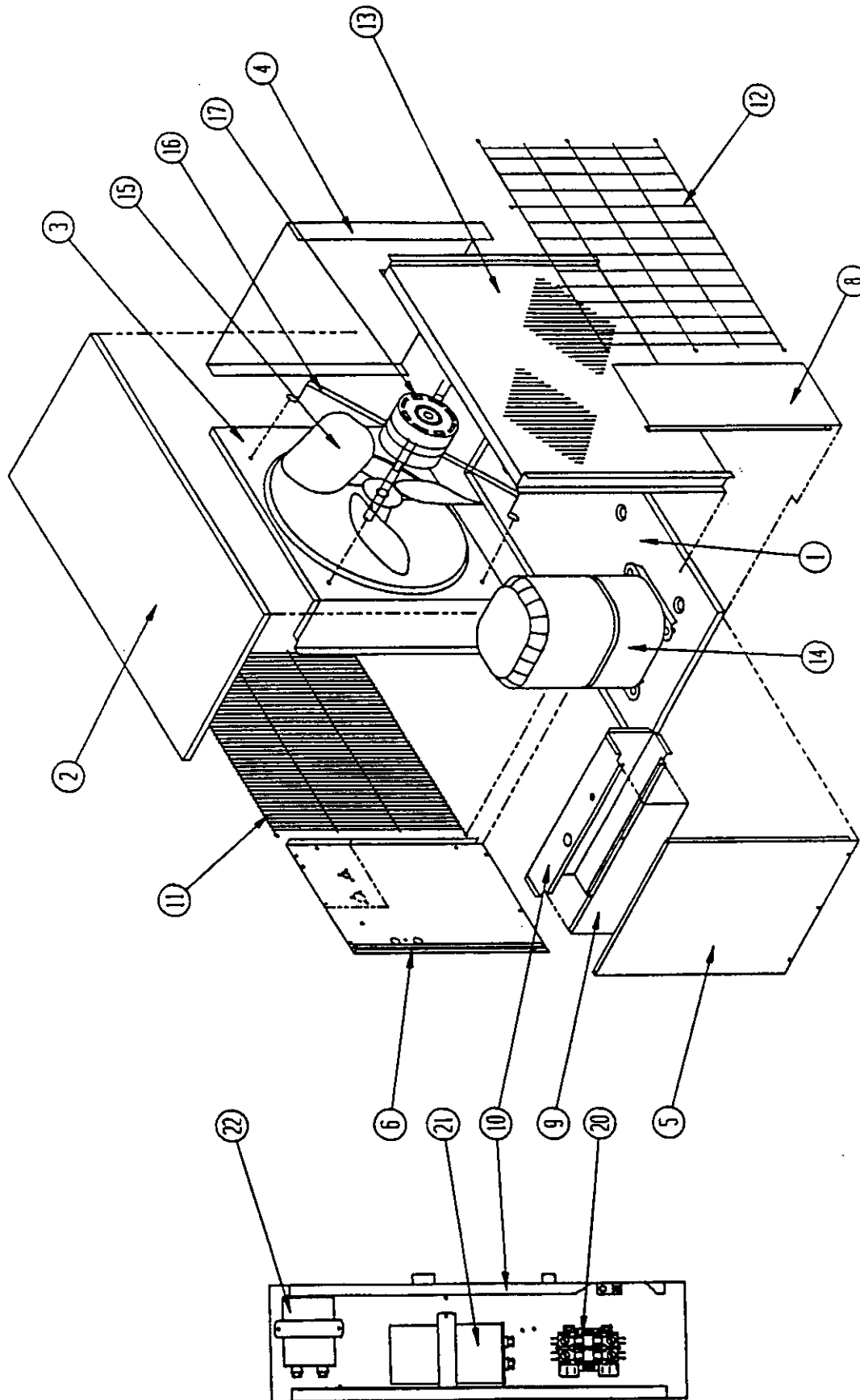
\*\*\*\*\*  
\*\*\* IMPORTANT \*\*\*  
\*\*\*\*\*

Contact the installing and/or local Bard distributor for all parts requirements. Make sure you have the complete model and serial number available from the unit rating plate.

BARD MANUFACTURING COMPANY

BRYAN, OHIO 43506

FUNCTIONAL AND CABINET COMPONENTS



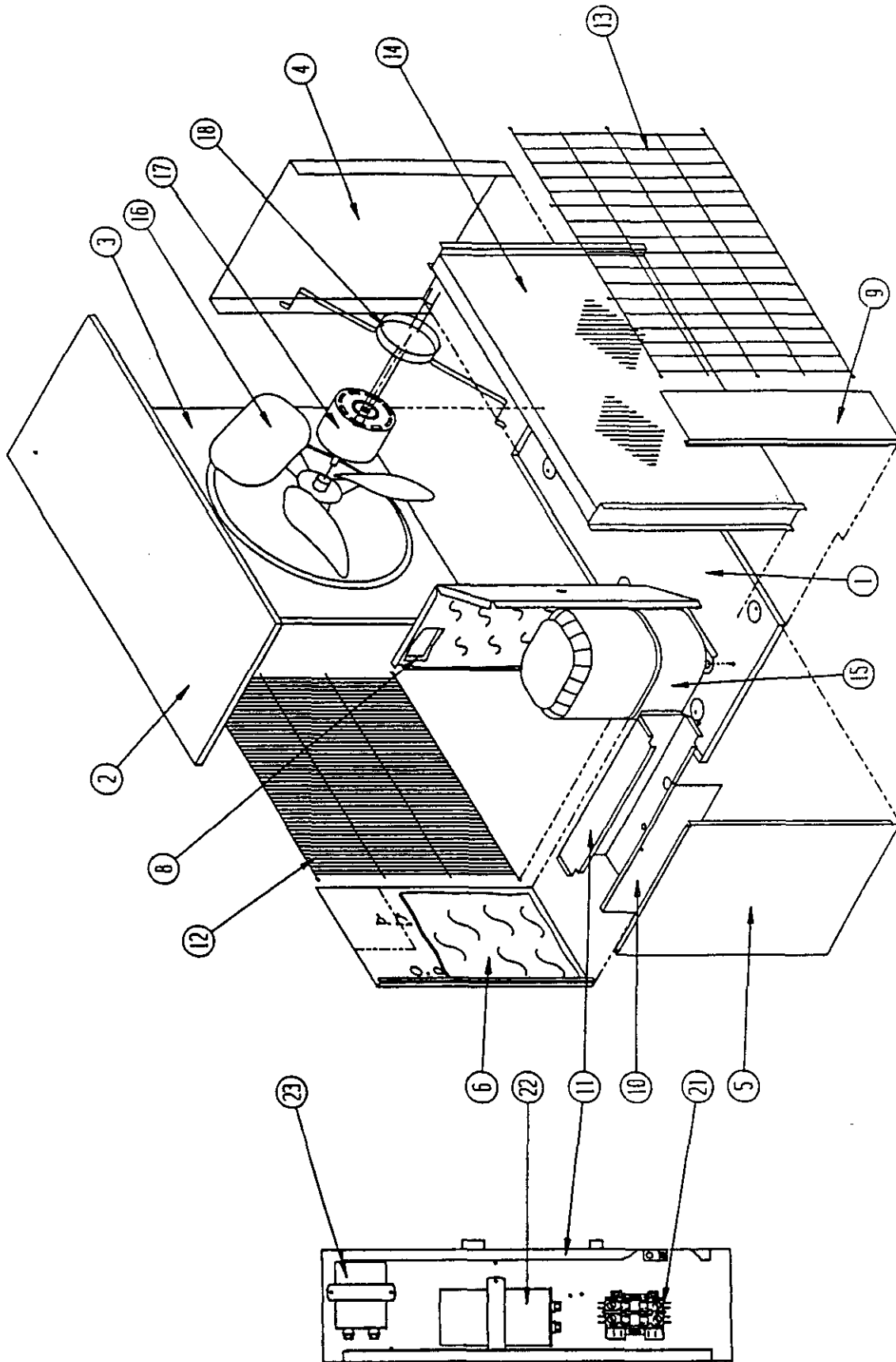
Date: 10-01-92  
Supersedes: 05-01-91

FUNCTIONAL AND CABINET COMPONENTS

| Dwg. No. | Part No. | Description         | 1<br>8<br>E<br>C<br>Q<br>4<br>D<br>0<br>2<br>0 | 2<br>4<br>E<br>C<br>Q<br>5<br>D<br>0<br>2<br>0 |
|----------|----------|---------------------|--|--|
| 1        | 127-015  | Base Assembly       | X  | X  |
| 2        | 106-015  | Top                 | X  | X  |
| 3        | 124-005  | Fan Shroud          | X  | X  |
| 4        | 100-122  | Side                | X  | X  |
| 5        | 152-014  | Access Door         | X  | X  |
| 6        | 148-025  | Compressor Corner   | X  | X  |
| 8        | 148-038  | Coil Corner         | X  | X  |
| 9        | 132-019  | Control Panel Cover | X  | X  |
| 10       | 117-032  | Control Panel       | X  |  |
| 11       | 7051-010 | Inlet Air Grille    | X  | X  |
| 12       | 7051-009 | Condenser Grille    | X  | X  |
| 13       | 5051-011 | Condenser Coil      | X  |  |
| 13       | 5051-013 | Condenser Coil      |  | X  |
| 14       | 8000-100 | Compressor AM5517F  | X  |  |
| 14       | 8000-111 | Compressor AM5524E  |  | X  |
| 15       | 5151-041 | Fan Blade           | X  | X  |
| 16       | 8200-001 | Motor Mount--Fan    | X  | X  |
| 17       | 8102-010 | Motor--Fan 1/6 H.P. | X  | X  |
| 20       | 8401-007 | Contacto--Comp 25A  | X  | X  |
| 21       | 8552-046 | Capacitor 25+5/370V | X  |  |
| 21       | 8552-048 | Capacitor 35+5/370V |  | X  |
|          | 4062-111 | Wiring Diagram      | X  | X  |

Date: 05-01-91  
Supersedes:

FUNCTIONAL AND CABINET COMPONENTS



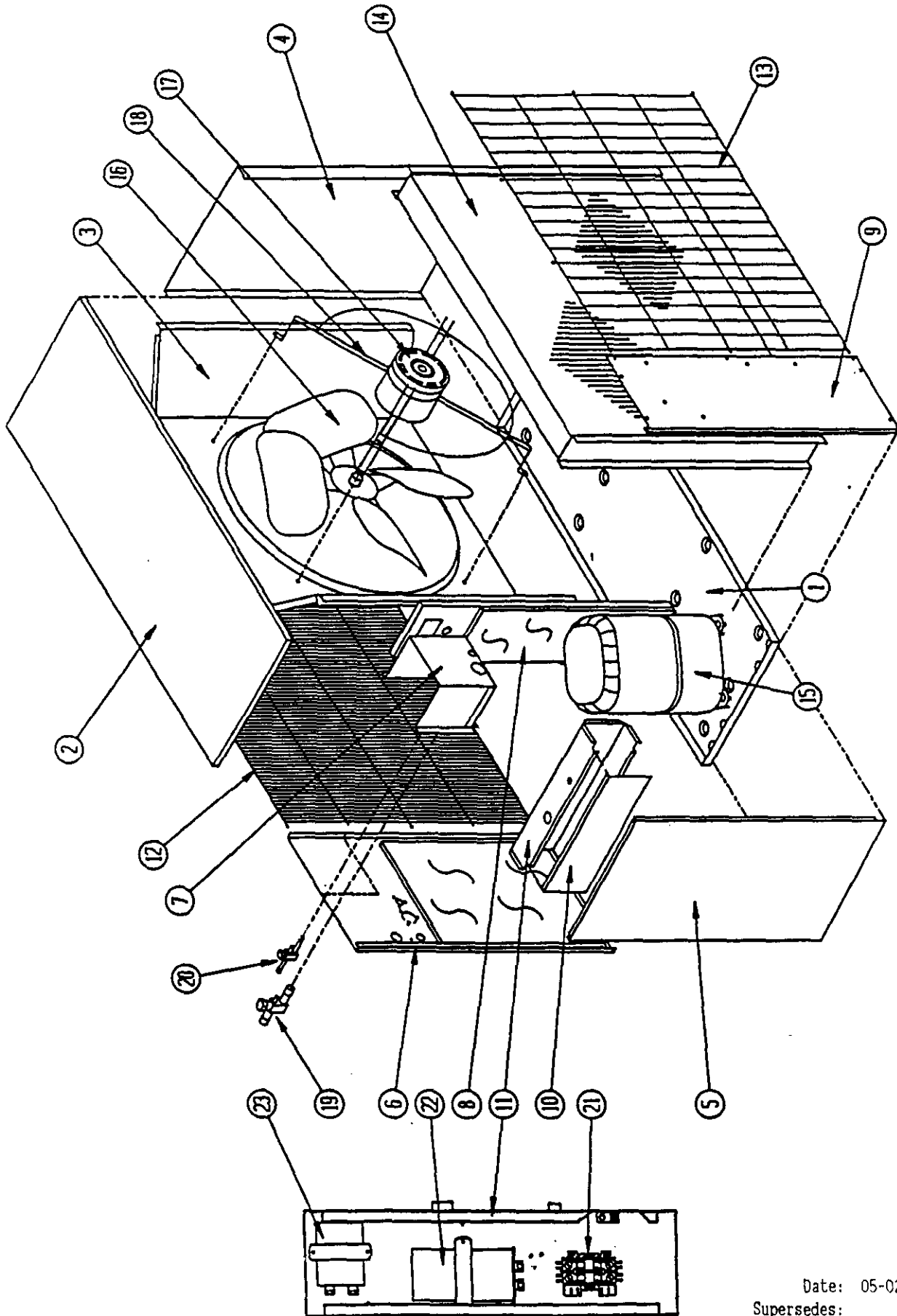
Date: 10-01-92  
Supersedes: 05-01-91

FUNCTIONAL AND CABINET COMPONENTS

| Item No. | Part No. | Description                                       | 3<br>0<br>E<br>C<br>Q<br>5<br>D<br>0<br>2<br>0 | 3<br>6<br>E<br>C<br>Q<br>5<br>D<br>0<br>2<br>0 |
|----------|----------|---|--|--|
| 1        | 127-097  | Base Assembly                                     | x  | x  |
| 2        | 506-016  | Top   | x  | x  |
| 3        | 124-009  | Fan Shroud  | x  | x  |
| 4        | 100-131  | Side  | x  | x  |
| 5        | 552-091  | Service Door                                      | x  | x  |
| 6        | 548-046  | Compressor Corner                                 | x  | x  |
| 8        | 520-068  | Compressor Partition                              | x  | x  |
| 9        | 548-045  | Coil Corner                                       | x  | x  |
| 10       | 132-070  | Control Panel Cover                               | x  | x  |
| 11       | *        | Control Panel Assembly *See Control Panel Drawing |  |  |
| 11       | 116-032  | Control Panel                                     | x  | x  |
| 12       | 7051-003 | Inlet Air Grille                                  | x  | x  |
| 13       | 7051-001 | Condenser Grille                                  | x  | x  |
| 14       | 5051-034 | Condenser Coil                                    | x  | x  |
| 15       | 8000-072 | Compressor AV144ET                                |  | x  |
| 15       | 8000-114 | Compressor AW5530E                                | x  |  |
| 16       | 5151-042 | Fan Blade   | x  | x  |
| 17       | 8102-010 | Motor--Fan 1/6 H.P.                               | x  | x  |
| 18       | 8200-001 | Motor Mount--Fan                                  | x  | x  |
| 21       | 8401-003 | Contactor--Comp 30A                               |  | x  |
| 21       | 8401-007 | Contactor--Comp 25A                               | x  |  |
| 22       | 8552-051 | Capacitor 40+5/440V                               |  | x  |
| 22       | 8552-052 | Capacitor 45+5/370V                               | x  |  |
| 23       | 8552-002 | Capacitor 5/370V                                  | x  | x  |
|          | 4062-111 | Wiring Diagram                                    | x  | x  |

Date: 05-01-91  
Supersedes:

FUNCTIONAL AND CABINET COMPONENTS



Date: 05-02-91  
Supersedes:

FUNCTIONAL AND CABINET COMPONENTS

| Item No. | Part No. | Description              | 4<br>2<br>E<br>C<br>Q<br>1<br>D<br>0<br>2<br>0 | 4<br>8<br>E<br>C<br>Q<br>2<br>D<br>0<br>2<br>0 | 6<br>0<br>E<br>C<br>Q<br>1<br>D<br>0<br>2<br>0 |
|----------|----------|--------------------------|--|--|--|
| 1        | 127-018  | Base Assembly            | X  | X  | X  |
| 2        | 506-017  | Top                      | X  | X  | X  |
| 3        | 124-007  | Fan Shroud               | X  | X  | X  |
| 4        | 100-024  | Side                     | X  | X  | X  |
| 5        | 552-016  | Service Door             | X  | X  | X  |
| 6        | 548-031  | Compressor Corner        | X  | X  | X  |
| 8        | 520-019  | Compressor Partition     | X  | X  | X  |
| 9        | 548-030  | Coil Corner              | X  | X  | X  |
| 10       | 132-070  | Control Panel Cover      | X  | X  | X  |
| 11       | 116-032  | Control Panel            | X  | X  | X  |
| 12       | 7051-004 | Inlet Grille             | X  | X  | X  |
| 13       | 7051-005 | Condenser Grille         | X  | X  | X  |
| 14       | 5051-009 | Condenser Coil           | X  | X  |  |
| 14       | 5051-024 | Condenser Coil           |  |  | X  |
| 15       | 8000-063 | Compressor CRK3-0325-PFV | X  |  |  |
| 15       | 8000-067 | Compressor AG112ET       |  | X  |  |
| 15       | 8000-027 | Compressor AG122ET       |  |  | X  |
| 16       | 5151-043 | Fan Blade                | X  | X  | X  |
| 17       | 8102-010 | Motor--Fan 1/6 HP        | X  | X  | X  |
| 18       | 8200-004 | Motor Mount--Fan         | X  | X  | X  |
| 21       | 8401-025 | Contactora--Comp 35A     | X  | X  | X  |
| 22       | 8552-030 | Capacitor 40/440V        | X  |  |  |
| 22       | 8552-036 | Capacitor 70/370V        |  | X  |  |
| 22       | 8552-031 | Capacitor 45/440V        |  |  | X  |
| 23       | 8552-002 | Capacitor 5/370V         | X  | X  | X  |
|          | 4025-814 | Wiring Diagram           | X  | X  | X  |

Date: 05-02-91  
Supersedes: