

# REPLACEMENT PARTS MANUAL

## SPLIT AIR CONDITIONER

MODELS: NAC24QB, NAC30QA, NAC36QA,  
NAC42QB, NAC48QB, NAC60QB

Manual 2110-007

Revision A

Date 5-09-94

Supersedes 3-11-92

\*\*\*\*\*  
\* GENERAL NOTES \*  
\*\*\*\*\*

\*Revised and/or additional pages may be issued from time to time.  
\*A complete and current manual consists of pages dated as shown in the following index.

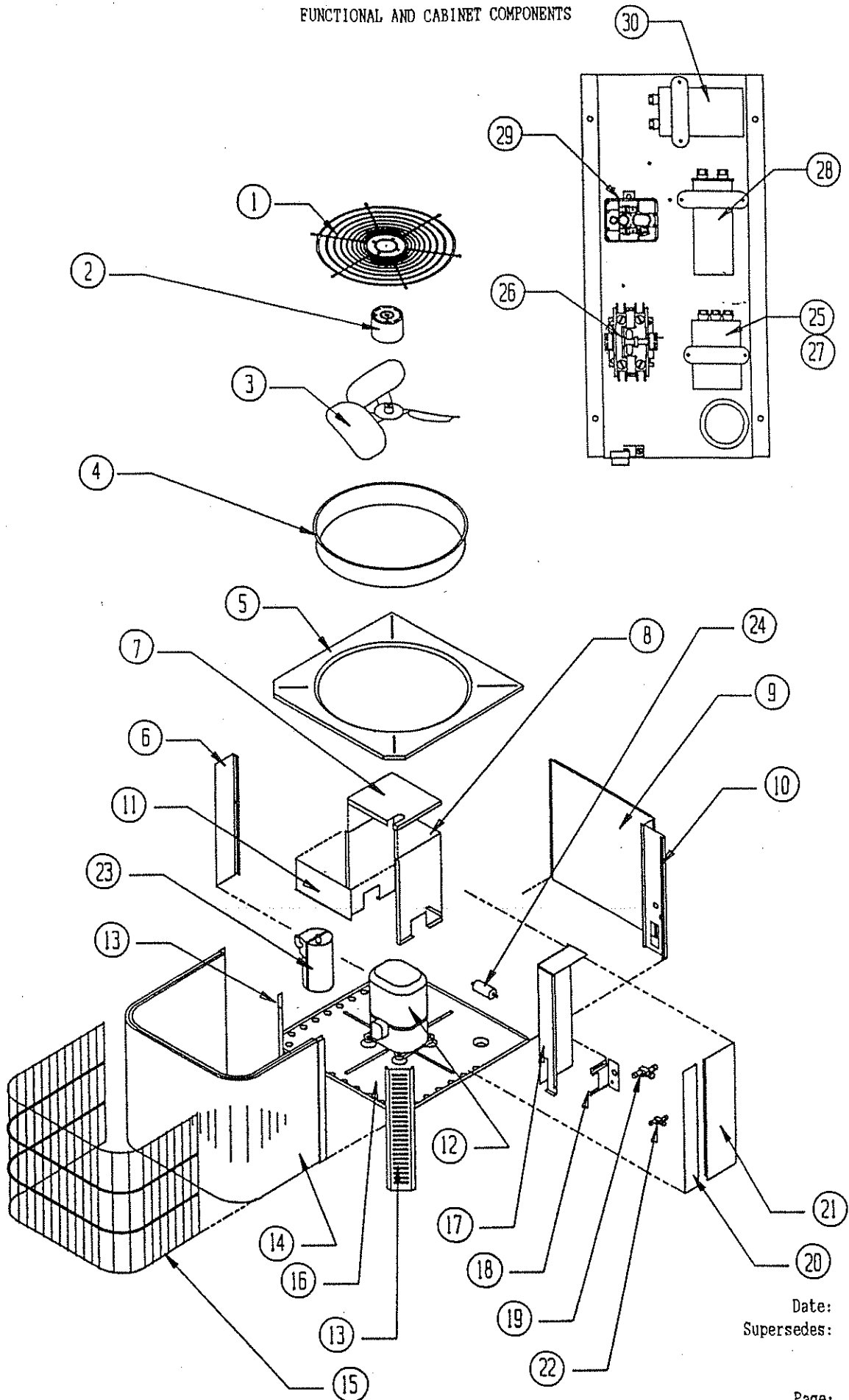
\*\*\*\*\*  
\*\* INDEX \*\*  
\*\*\*\*\*

<u>Page Description</u>	<u>Page</u>	<u>Date</u>	<u>Supersedes</u>
Functional and Cabinet Components--Exploded View	1	5-09-94	3-11-92
" " " --Usage List	2	5-09-94	3-11-92
Functional and Cabinet Components--Exploded View	3	5-09-94	3-11-92
" " " --Usage List	4	5-09-94	3-11-92

\*\*\*\*\*  
\*\*\* IMPORTANT \*\*\*  
\*\*\*\*\*

Contact the installing and/or local distributor for all parts requirements. Make sure you have the complete model and serial number available from the unit rating plate.

FUNCTIONAL AND CABINET COMPONENTS



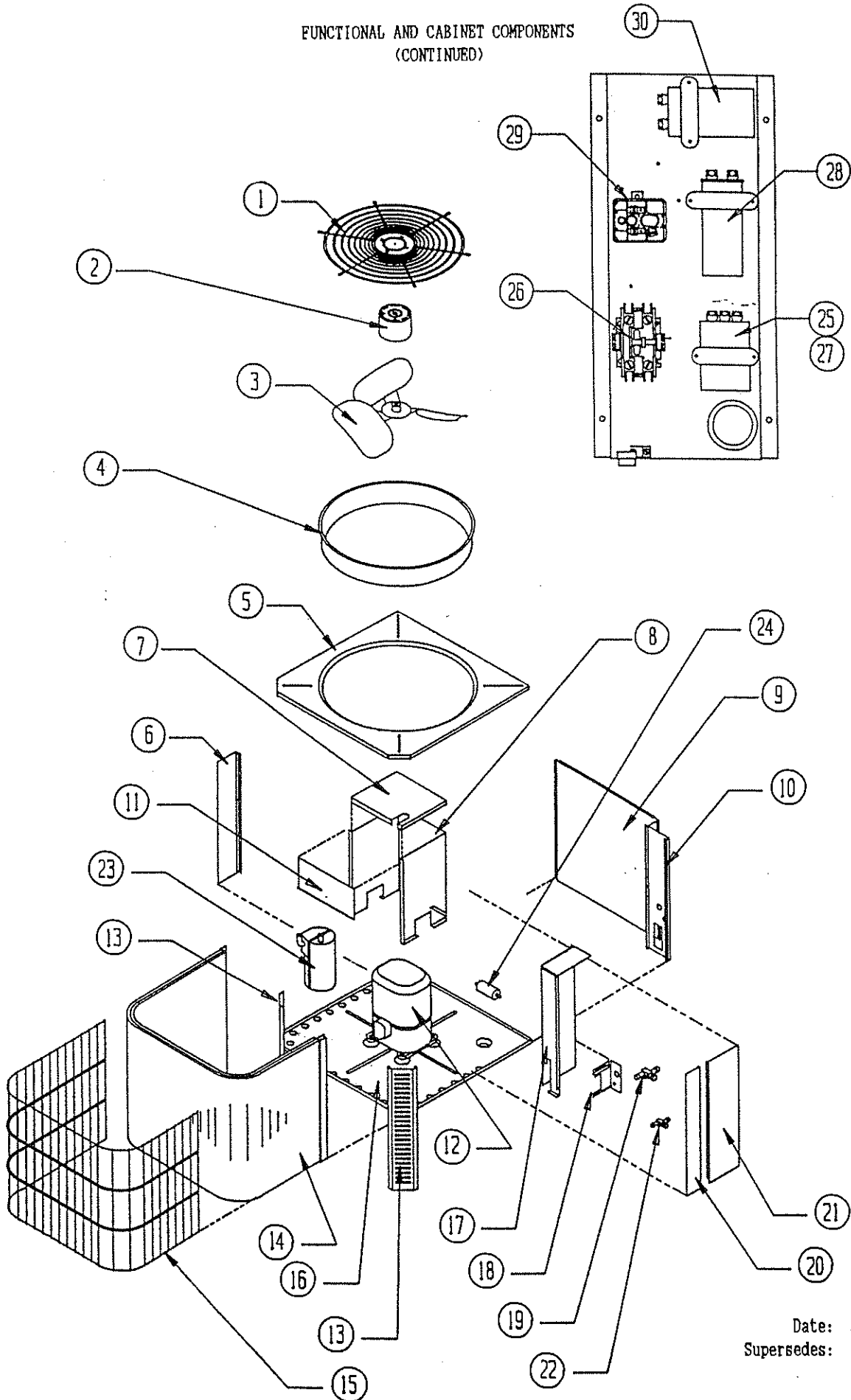
Date: 5-09-94  
Supersedes: 3-11-92

FUNCTIONAL AND CABINET COMPONENTS

Dwg. No.	Part No.	Description	N A C 2 4 Q B	N A C 3 0 Q A	N A C 3 6 Q A	N A C 4 2 Q B	N A C 4 8 Q B	N A C 6 0 Q B
1	7051-018	Fan & Motor Mount Grille	x	x	x	x	x	x
2	8102-010	Motor--Fan	x	x	x			
2	8104-007	Motor--Fan				x	x	x
3	5151-036	Fan Blade				x	x	x
3	5151-039	Fan Blade	x	x	x			
4	167-011	Fan Venturi	x	x	x	x	x	x
5	106-093	Top	x	x	x	x	x	x
6	148-056	Left Rear Corner	x	x	x	x	x	x
9	152-144	Service Door	x	x	x	x	x	x
10	148-054	Control Panel Corner	x	x	x	x	x	x
12	8000-052	Compressor CRG3-0250-PFV			x			
12	8000-130	Compressor CR38K6-PFV-270				x		
12	8000-131	Compressor CR38K6-TF5-270						
12	8000-126	Compressor CR42K6-PFV-270					x	
12	8000-151	Compressor H25A54QCBC						x
12	8000-110	Compressor AW5519F	x					
12	8000-095	Compressor 703087-06-0813		x				
	8002-008	Compressor Sound Cover						x
	8002-007	Compressor Sound Cover				x	x	
	8002-009	Sound Base Pad						x
13	148-055	Front Corner	x	x	x	x	x	x
14	600-0015	Condenser Coil 5051-043		x				
14	600-0017	Condenser Coil 5051-044			x			
14	600-0012	Condenser Coil 5051-045				x		
14	600-0018	Condenser Coil 5051-046					x	x
14	600-0019	Condenser Coil 5051-058	x					
15	7051-019	Coil Grille	x	x	x	x	x	x
16	127-113	Base Assembly	x	x	x	x	x	x

Date: 5-09-94  
Supersedes: 3-11-92

FUNCTIONAL AND CABINET COMPONENTS  
(CONTINUED)



Date: 5-09-94  
Supersedes: 3-11-92

FUNCTIONAL AND CABINET COMPONENTS  
(CONTINUED)

Dwg. No.	Part No.	Description	N	N	N	N	N	N
			A	A	A	A	A	A
			C	C	C	C	C	C
			2	3	3	4	4	6
			4	0	6	2	8	0
			Q	Q	Q	Q	Q	Q
			B	A	A	B	B	B
17	116-094	Control Panel Wrapper	x	x	x	x	x	x
18	140-105	Quick Connect Support	x	x	x			
18	140-106	Quick Connect Support				x	x	x
20	100-146	Right Side	x	x	x	x	x	x
21	132-064	Control Panel Cover	x	x	x	x	x	x
24	5201-011	Drier	x	x	x			
24	5201-012	Drier				x	x	x
25	8552-046	Capacitor 25+5/370V	x					
25	8552-051	Capacitor 40+5/440V				x	x	
25	8552-048	Capacitor 35+5/440V		x				
25	8552-050	Capacitor 40+5/370V			x			x
26	8401-003	Contactora 1P30A						x
26	8401-007	Contactora 1P25A	x	x	x	x	x	
28	8552-033	Capacitor 20/370V						x
29	8201-070	Start Relay						x
30	8551-006	Capacitor 270-324/330V						x
	4080-111	Wiring Diagram	x	x	x	x	x	
	4080-112	Wiring Diagram						x
	5625-059	Restrictor w/.059" Orifice	x					
	5625-063	Restrictor w/.063" Orifice		x				
	5625-069	Restrictor w/.069" Orifice			x			
	5625-078	Restrictor w/.078" Orifice				x		
	5625-081	Restrictor w/.081" Orifice					x	

Date: 5-09-94  
Supersedes: 3-11-92