

REPLACEMENT PARTS MANUAL

SPLIT
AIR CONDITIONER
MODELS: NAC24QB, NAC30QA, NAC36QA,
NAC42QB, NAC48QB, NAC60QA

Manual 2110-007

Revision

Date 3-11-92

Supersedes

* GENERAL NOTES *

*Revised and/or additional pages may be issued from time to time.
*A complete and current manual consists of pages dated as shown in the following index.

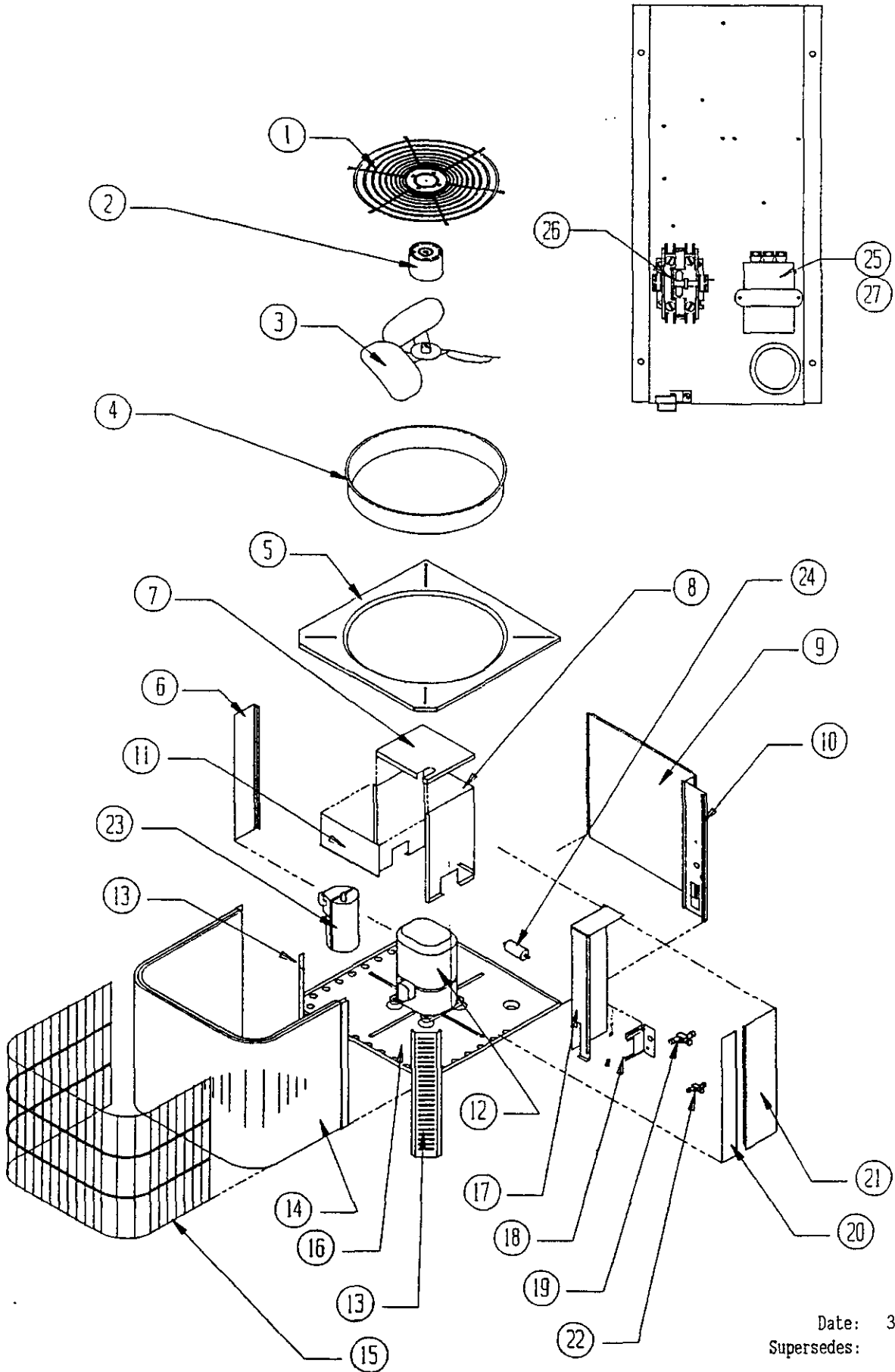
** INDEX **

<u>Page Description</u>	<u>Page</u>	<u>Date</u>	<u>Supersedes</u>
Functional and Cabinet Components--Exploded View	1	3-11-92	
" " " --Usage List	2	3-11-92	
Functional and Cabinet Components--Exploded View	3	3-11-92	
" " " --Usage List	4	3-11-92	

*** IMPORTANT ***

Contact the installing and/or local distributor for all parts requirements. Make sure you have the complete model and serial number available from the unit rating plate.

FUNCTIONAL AND CABINET COMPONENTS



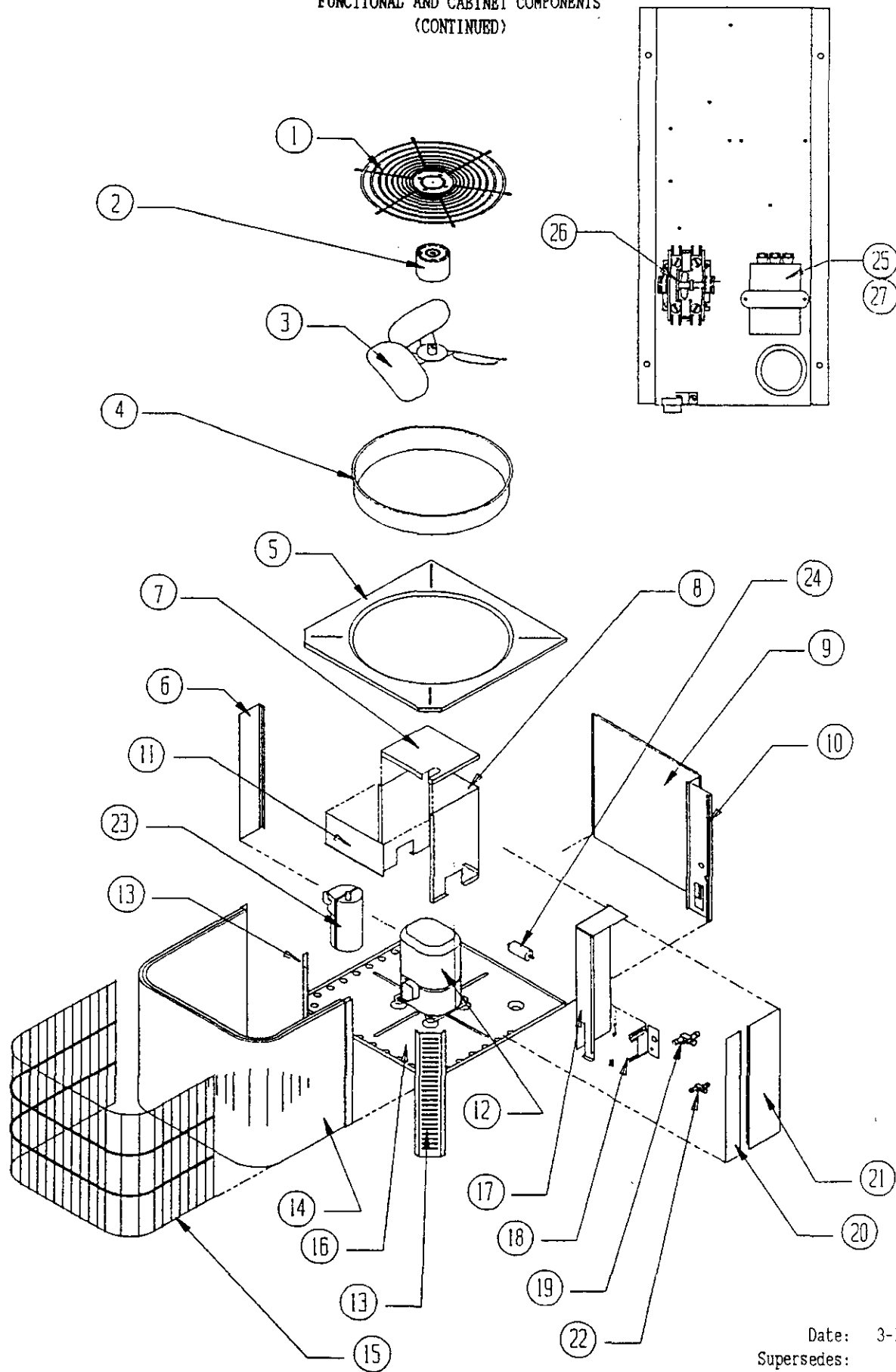
Date: 3-11-92
 Supersedes:

FUNCTIONAL AND CABINET COMPONENTS

Dwg. No.	Part No.	Description	N A C 2 4 Q B	N A C 3 0 Q A	N A C 3 6 Q A	N A C 4 2 Q B	N A C 4 8 Q B	N A C 6 0 Q A
1	7051-018	Fan & Motor Mount Grille	X	X	X	X	X	X
2	8102-010	Motor--Fan	X	X	X			
2	8104-007	Motor--Fan				X	X	
2	8105-028	Motor--Fan						X
3	5151-036	Fan Blade				X	X	
3	5151-037	Fan Blade						X
3	5151-039	Fan Blade	X	X	X			
4	167-011	Fan Venturi	X	X	X	X	X	X
5	106-093	Top	X	X	X	X	X	X
6	148-056	Left Rear Corner	X	X	X	X	X	
6	148-059	Left Rear Corner						X
9	152-144	Service Door	X	X	X	X	X	
9	152-143	Service Door						X
10	148-054	Control Panel Corner	X	X	X	X	X	
10	148-057	Control Panel Corner						X
12	8000-052	Compressor CRG3-0250-PFV			X			
12	8000-130	Compressor CR38K6-PFV-270				X		
12	8000-131	Compressor CR38K6-TF5-270						
12	8000-126	Compressor CR42K6-PFV-270					X	
12	8000-121	Compressor ZR61K2-PFV-230						X
12	8000-110	Compressor AW5519F	X					
12	8000-095	Compressor 703087-06-0813		X				
	8002-005	Compressor Sound Cover						X
	8002-007	Compressor Sound Cover				X	X	
13	148-055	Front Corner	X	X	X	X	X	
13	148-058	Front Corner						X
14	600-0015	Condenser Coil 5051-043		X				
14	600-0017	Condenser Coil 5051-044			X			
14	600-0012	Condenser Coil 5051-045				X		
14	600-0018	Condenser Coil 5051-046					X	
14	600-0030	Condenser Coil 5051-062						X
14	600-0019	Condenser Coil 5051-058	X					
15	7051-019	Coil Grille	X	X	X	X	X	
15	7051-020	Coil Grille						X
16	127-113	Base Assembly	X	X	X	X	X	X

Date: 3-11-92
Supersedes:

FUNCTIONAL AND CABINET COMPONENTS
(CONTINUED)



Date: 3-11-92
Supersedes:

FUNCTIONAL AND CABINET COMPONENTS
(CONTINUED)

Dwg. No.	Part No.	Description	N A C 2 4 Q B	N A C 3 0 Q A	N A C 3 6 Q A	N A C 4 2 Q B	N A C 4 8 Q B	N A C 6 0 Q A
17	116-094	Control Panel Wrapper	x	x	x	x	x	
17	116-096	Control Panel Wrapper						x
18	140-105	Quick Connect Support	x	x	x			
18	140-106	Quick Connect Support				x	x	x
20	100-146	Right Side	x	x	x	x	x	
20	100-147	Right Side						x
21	132-064	Control Panel Cover	x	x	x	x	x	
21	132-065	Control Panel Cover						x
24	5201-011	Drier	x	x	x			
24	5201-012	Drier				x	x	x
25	8552-046	Capacitor 25+5/370V	x					
25	8552-051	Capacitor 40+5/440V				x	x	
25	8552-054	Capacitor 55+5/440V						x
25	8552-048	Capacitor 35+5/440V		x				
25	8552-050	Capacitor 40+5/370V			x			
26	8401-016	Contactora 1P35A						x
26	8401-007	Contactora 1P25A	x	x	x	x	x	
	4080-111	Wiring Diagram	x	x	x	x	x	
	4092-111	Wiring Diagram						x
	5625-059	Restrictor w/.059" Orifice	x					
	5625-063	Restrictor w/.063" Orifice		x				
	5625-069	Restrictor w/.069" Orifice			x			
	5625-078	Restrictor w/.078" Orifice				x		
	5625-081	Restrictor w/.081" Orifice					x	
	5625-092	Restrictor w/.092" Orifice						x
	8201-050	5 Min. Time Delay						x
	8406-016	High Pressure Switch						x

Date: 3-11-92
Supersedes:

