

---

# Replacement Parts Manual

# Split Air Conditioner

**Models:** HAC181-D      HAC241-D  
              HAC301-D      HAC361-G  
              HAC421-G      HAC421-E  
              HAC421-F      HAC481-G  
              HAC481-E      HAC481-F  
              HAC601-G      HAC601-E  
              HAC601-F

---

## General Notes

- > Revised and/or additional pages may be issued from time to time.
- > A complete and current manual consists of pages shown in the following contents section.

## Important

- > Contact the installing and/or local Bard distributor for all parts requirements. Make sure you have the complete model and serial number available from the unit rating plates.

## Contents

Description	Page
<b>Cabinet Components</b>	
♦ Exploded View .....	1
♦ Usage List .....	2
<b>Functional Components</b>	
♦ Exploded View .....	1
♦ Usage List .....	2



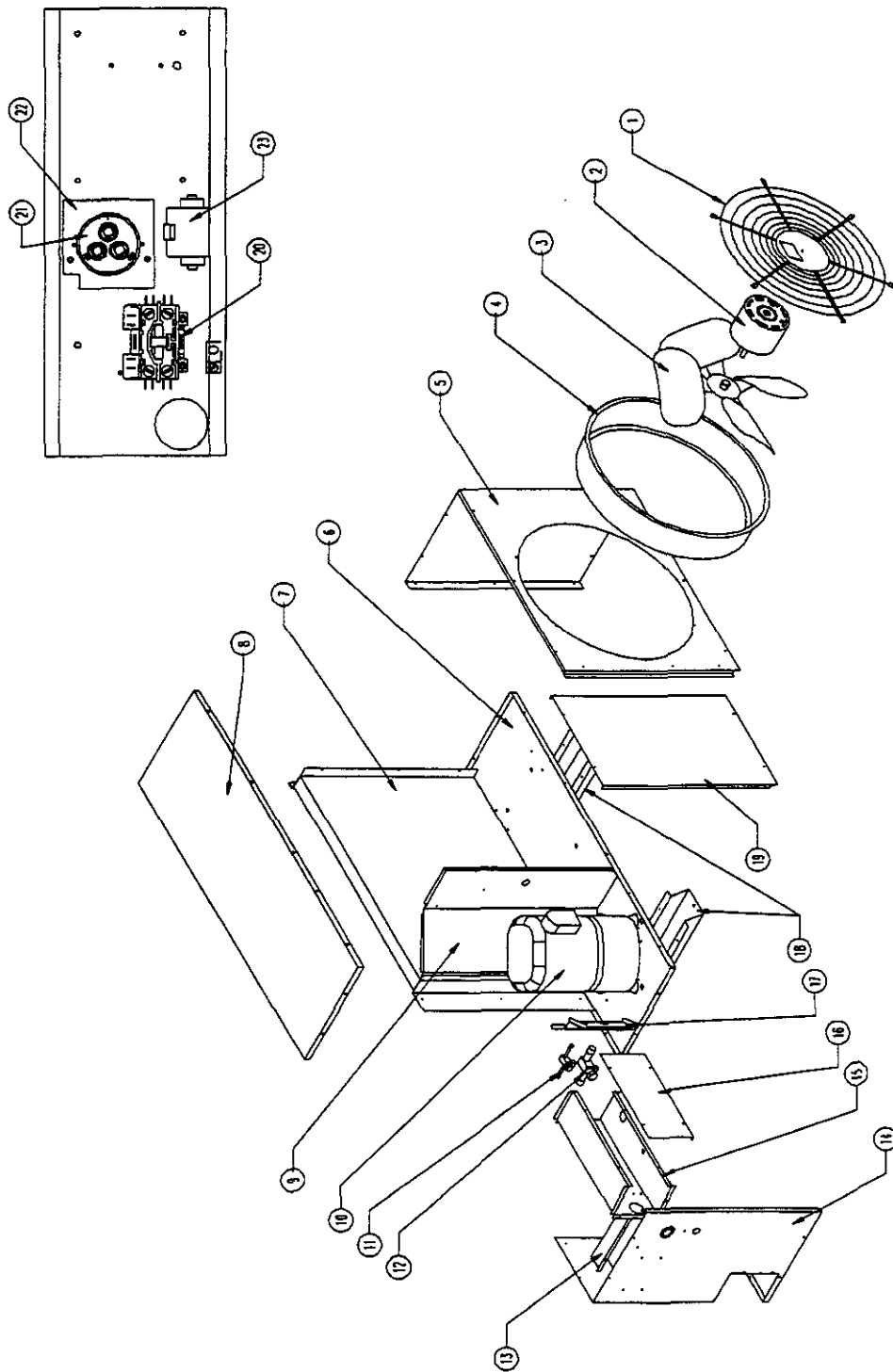
**BARD MANUFACTURING COMPANY**  
Bryan, Ohio 43506

*Since 1914...Moving, ahead just as planned.*

Manual: 2110-012A  
Rev: 2110-012  
Date: 04-09-97

# Cabinet and Functional Components

---



# Cabinet and Functional Components

Drawing No.	Part No.	Description	HAC181-D	HAC241-D	HAC301-D	HAC361-G	HAC421-G	HAC481-G	HAC481-E	HAC601-G	HAC601-E	HAC421-E	HAC421-F	HAC481-F	HAC601-F
1	7051-018	Fan and Motor Mount Grille					X	X	X	X	X	X	X	X	X
1	7051-029	Fan and Motor Mount Grille	X	X	X	X									
2	8104-011	Motor — Fan	X	X	X	X	X	X	X	X	X	X	X	X	X
3	5151-036	Fan Blade					X	X	X	X	X	X	X	X	X
3	5151-048	Fan Blade	X	X	X	X									
4	S166-014	Fan Venturi					X	X	X	X	X	X	X	X	X
4	S166-015	Fan Venturi	X	X	X	X									
5	101-280-X	Right Side/Front			X	X									
5	101-284-X	Right Side/Front	X	X											
5	101-297-X	Right Side/Front					X	X	X	X	X	X	X	X	X
6	127-227	Base			X	X									
6	127-238	Base	X	X											
6	127-247	Base					X	X	X	X	X	X	X	X	X
7	5051-066	Condenser Coil				X									
7	5051-068	Condenser Coil			X										
7	5051-071	Condenser Coil	X	X											
7	5051-078	Condenser Coil					X					X	X		
7	5051-083	Condenser Coil						X	X	X	X			X	X
8	107-150-X	Top			X	X									
8	107-154-X	Top	X	X											
8	107-160-X	Top					X	X	X	X	X	X	X	X	X
9	121-260-X	Partition	X	X	X	X									
9	121-280-X	Partition					X	X	X	X	X	X	X	X	X
10	8000-191	Compressor AW5519E	X												
10	8000-192	Compressor AW5528E		X											
10	8000-193	Compressor AV5535E			X										
10	8000-072	Compressor AV5542E				X									
10	8000-081	Compressor AV5546E					X								
10	8000-082	Compressor AV5546E										X			
10	8000-083	Compressor AV5546E											X		
10	8000-091	Compressor H23A543ABC						X							
10	8000-194	Compressor H23A543DBL							X						
10	8000-195	Compressor H23A543DBE												X	
10	8000-196	Compressor H23A623ABC								X					
10	8000-197	Compressor H23A623DBL									X				
10	8000-198	Compressor H23A623DBE													X
11	5651-114	Base Valve 3/8" x 3/8"		X	X	X	X	X	X	X	X	X	X	X	X
11	5651-116	Base Valve 3/8" x 1/4"	X												
12	5651-113	Base Valve 3/4" x 3/4"		X	X	X									
12	5651-115	Base Valve 5/8" x 5/8"	X												
12	5651-119	Base Valve 7/8" x 7/8"					X	X	X	X	X	X	X	X	X
13	165-544-X	Wire Channel	X	X	X	X	X	X	X	X	X	X	X	X	X
14	101-279-X	Left Side	X	X	X	X									
14	101-298-X	Left Side					X	X	X	X	X	X	X	X	X
15	117-159	Control Panel	X	X	X	X	X	X	X	X	X	X	X	X	X
16	133-122-X	Control Panel Cover	X	X	X	X	X	X	X	X	X	X	X	X	X

## Cabinet and Functional Components

Drawing			HAC181-D	HAC241-D	HAC301-D	HAC361-G	HAC421-G	HAC481-G	HAC481-E	HAC601-G	HAC601-E	HAC421-E	HAC421-F	HAC481-F	HAC601-F
No.	Part No.	Description													
17	141-205-X	Base Valve Support	X	X	X	X	X	X	X	X	X	X	X	X	X
18	165-543-X	Channel	2	2	2	2	2	2	2	2	2	2	2	2	2
19	153-232-X	Service Door	X	X	X	X									
19	553-244-X	Service Door					X	X	X	X	X	X	X	X	X
20	8401-007	Contactor 1P25A	X	X	X	X									
20	8401-016	Contactor					X	X		X					
20	8401-002	Contactor						X			X	X	X	X	X
21	8552-046	Capacitor 25+5/370V	X												
21	8552-050	Capacitor 40+5/370V		X											
21	8552-048	Capacitor 35+5/370V		X											
21	8552-053	Capacitor 45+5/440V						X							
21	8552-051	Capacitor 40+5/440V				X	X								
21	8552-054	Capacitor 55+5/440V								X					
21	8552-002	Capacitor 5/370V						X			X	X	X	X	X
22	112-101	Adapter Plate	X		X					X					
22	112-210	Adapter Plate						X			X	X	X	X	X
N/A	4099-400	Wiring Diagram	X	X	X	X	X	X		X					
N/A	4099-500	Wiring Diagram						X			X	X			
N/A	4099-600	Wiring Diagram											X	X	X
N/A	5625-052	Restrictor w/.052 Orifice	X												
N/A	5625-055	Restrictor w/.055 Orifice		X											
N/A	5625-063	Restrictor w/.063 Orifice			X										
N/A	5625-069	Restrictor w/.069 Orifice				X									
N/A	5625-078	Restrictor w/.078 Orifice					X					X	X		
N/A	5625-081	Restrictor w/.081 Orifice						X	X					X	
N/A	5625-092	Restrictor w/.092 Orifice								X	X				X