
SPLIT AIR CONDITIONER

REPLACEMENT PARTS MANUAL

Models:

HAC181-D	HAC241-D
HAC301-D	HAC361-G
HAC421-G	HAC421-E
HAC421-F	HAC481-G
HAC481-E	HAC481-F
HAC601-G	HAC601-E
HAC601-F	

General Notes

- Revised and/or additional pages may be issued from time to time.
- A complete and current manual consists of pages shown in the following contents section.

Contents

Description	Page
Functional and Cabinet Components	
♦ Exploded View	1
♦ Usage List	2
♦ Usage List	3

Important

- Contact the installing and/or local Bard distributor for all parts requirements. Make sure you have the complete model and serial number available from the unit rating plates.

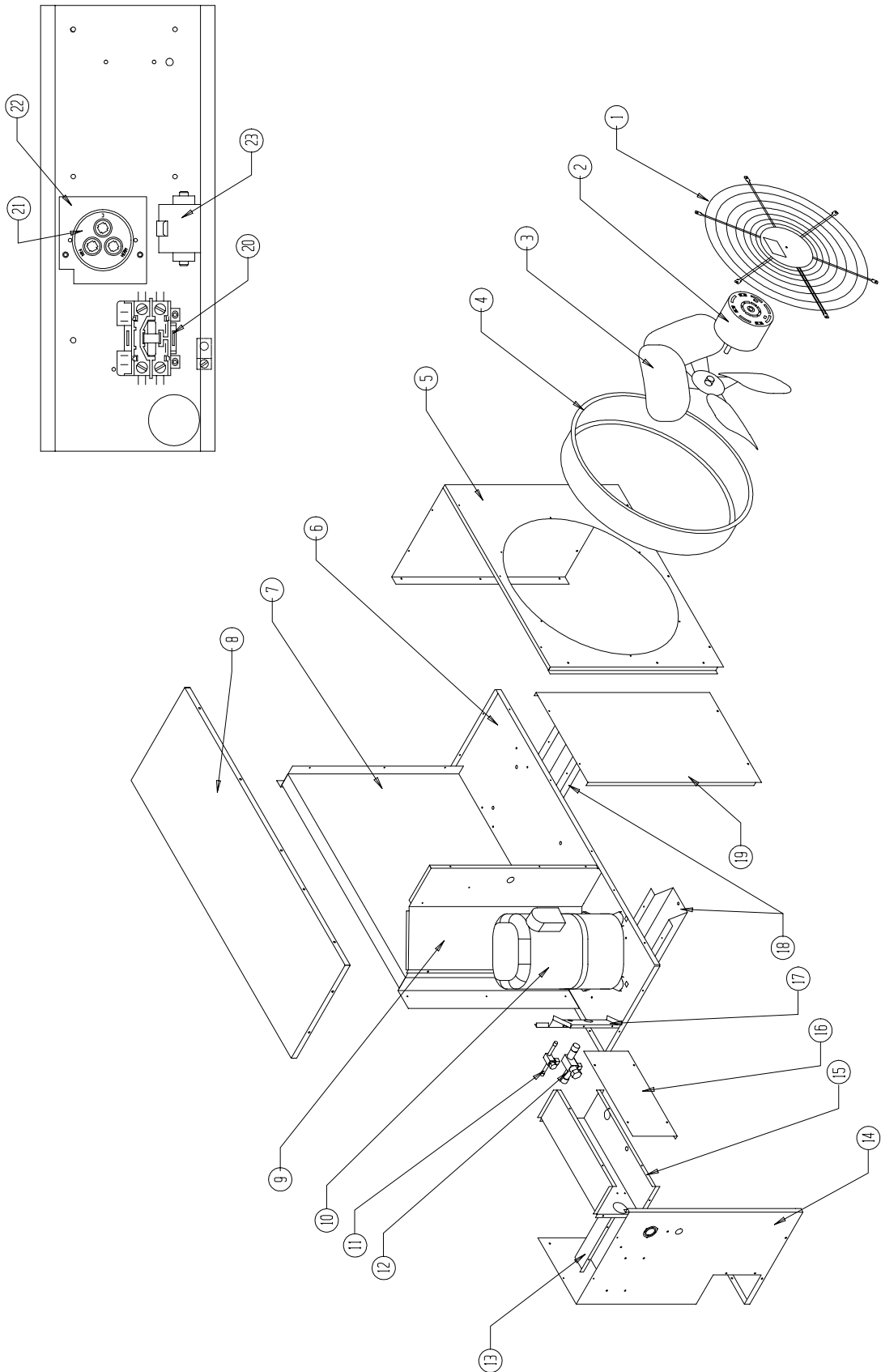


BARD MANUFACTURING COMPANY
Bryan, Ohio 43506

Since 1914...Moving, ahead just as planned.

Manual: 2110-012B
Supersedes: 2110-012A
Date: 11-01-00

FUNCTIONAL and CABINET COMPONENTS



SEXP-214

FUNCTIONAL and CABINET COMPONENTS

Drawing No.	Part No.	Description	HAC181-D	HAC241-D	HAC301-D	HAC361-G	HAC421-G	HAC481-G	HAC481-E	HAC601-G	HAC601-E	HAC421-E	HAC421-F	HAC481-F	HAC601-F
1	7051-018	Fan and Motor Mount Grille					X	X	X	X	X	X	X	X	X
1	7051-029	Fan and Motor Mount Grille	X	X	X	X									
2	8104-011	Motor — Fan	X	X	X	X	X	X	X	X	X	X	X	X	X
3	5151-036	Fan Blade					X	X	X	X	X	X	X	X	X
3	5151-048	Fan Blade	X	X	X	X									
4	S166-014	Fan Venturi					X	X	X	X	X	X	X	X	X
4	S166-015	Fan Venturi	X	X	X	X									
5	101-280-X	Right Side/Front			X	X									
5	101-284-X	Right Side/Front	X	X											
5	101-297-X	Right Side/Front					X	X	X	X	X	X	X	X	X
6	127-227	Base			X	X									
6	127-238	Base	X	X											
6	127-247	Base					X	X	X	X	X	X	X	X	X
7	5051-066	Condenser Coil				X									
7	5051-068	Condenser Coil			X										
7	5051-071	Condenser Coil	X	X											
7	5051-078	Condenser Coil					X					X	X		
7	5051-083	Condenser Coil						X	X	X	X			X	X
8	107-150-X	Top			X	X									
8	107-154-X	Top	X	X											
8	107-160-X	Top					X	X	X	X	X	X	X	X	X
9	121-260-X	Partition	X	X	X	X									
9	121-280-X	Partition					X	X	X	X	X	X	X	X	X
10	8000-191	Compressor AW5519E	X												
10	8000-192	Compressor AW5528E		X											
10	8000-193	Compressor AV5535E			X										
10	8000-072	Compressor AV5542E				X									
10	8000-081	Compressor AV5546E					X								
10	8000-082	Compressor AV5546E										X			
10	8000-083	Compressor AV5546E											X		
10	8000-091	Compressor H23A543ABC						X						X	
10	8000-194	Compressor H23A543DBL							X						
10	8000-195	Compressor H23A543DBE												X	
10	8000-196	Compressor H23A623ABC								X					
10	8000-197	Compressor H23A623DBL									X				
10	8000-198	Compressor H23A623DBE													X
11	5651-114	Base Valve 3/8" x 3/8"		X	X	X	X	X	X	X	X	X	X	X	X
11	5651-116	Base Valve 3/8" x 1/4"	X												
12	5651-113	Base Valve 3/4" x 3/4"		X	X	X									
12	5651-115	Base Valve 5/8" x 5/8"	X												
12	5651-119	Base Valve 7/8" x 7/8"					X	X	X	X	X	X	X	X	X
13	165-544-X	Wire Channel	X	X	X	X	X	X	X	X	X	X	X	X	X
14	101-279-X	Left Side	X	X	X	X									
14	101-298-X	Left Side					X	X	X	X	X	X	X	X	X
15	117-200	Control Panel	X	X	X	X	X	X	X	X	X	X	X	X	X
16	133-122-X	Control Panel Cover	X	X	X	X	X	X	X	X	X	X	X	X	X

FUNCTIONAL and CABINET COMPONENTS

Drawing No.	Part No.	Description	HAC181-D	HAC241-D	HAC301-D	HAC361-G	HAC421-G	HAC481-G	HAC481-E	HAC601-G	HAC601-E	HAC421-E	HAC421-F	HAC481-F	HAC601-F
17	141-205-X	Base Valve Support	X	X	X	X	X	X	X	X	X	X	X	X	X
18	165-543-X	Channel	2	2	2	2	2	2	2	2	2	2	2	2	2
19	153-232-X	Service Door	X	X	X	X		X	X	X	X	X	X	X	X
19	553-244-X	Service Door					X	X	X	X	X	X	X	X	X
20	8401-007	Contactora 1P25A	X	X	X	X				X					
20	8401-016	Contactora					X	X		X					
20	8401-002	Contactora							X		X	X	X	X	X
21	8552-046	Capacitor 25+5/370V	X												
21	8552-050	Capacitor 40+5/370V		X											
21	8552-048	Capacitor 35+5/370V		X											
21	8552-053	Capacitor 45+5/440V						X							
21	8552-051	Capacitor 40+5/440V				X	X								
21	8552-054	Capacitor 55+5/440V								X					
21	8552-002	Capacitor 5/370V							X		X	X	X	X	X
22	112-101	Adapter Plate	X		X					X					
22	112-210	Adapter Plate							X		X	X	X	X	X
N/A	4099-400	Wiring Diagram	X	X	X	X	X	X		X					
N/A	4099-500	Wiring Diagram							X		X	X			
N/A	4099-600	Wiring Diagram											X	X	X