
Replacement Parts Manual

Split Air Conditioner

Models: HAC181-D HAC241-D
 HAC301-D HAC361-G
 HAC421-G HAC421-E
 HAC421-F HAC481-G
 HAC481-E HAC481-F
 HAC601-G HAC601-E
 HAC601-F

General Notes

- Revised and/or additional pages may be issued from time to time.
- A complete and current manual consists of pages shown in the following contents section.

Important

- Contact the installing and/or local Bard distributor for all parts requirements. Make sure you have the complete model and serial number available from the unit rating plates.

Contents

Description	Page
Cabinet Components	
• Exploded View	1
• Usage List	2
Functional Components	
• Exploded View	1
• Usage List	2

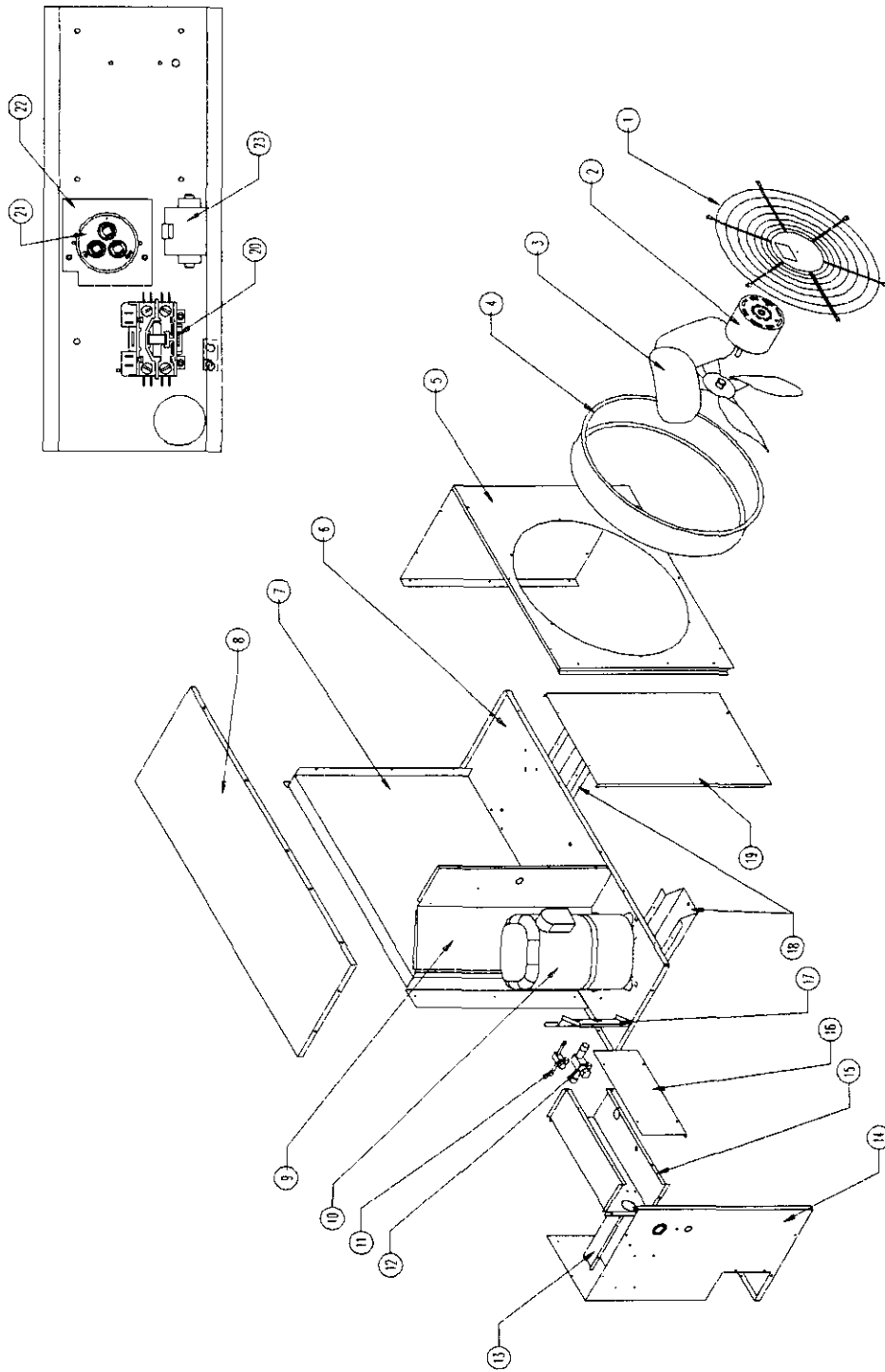


BARD MANUFACTURING COMPANY
Bryan, Ohio 43506

Since 1914...Moving, ahead just as planned.

Manual: 2110-012 Rev.
Date: 09/29/95

Cabinet and Functional Components



Cabinet and Functional Components

Drawing No.	Part No.	Description	HAC181-D	HAC241-D	HAC301-D	HAC361-G	HAC421-G	HAC481-G	HAC481-E	HAC601-G	HAC601-E	HAC421-E	HAC421-F	HAC481-F	HAC601-F
1	7051-018	Fan and Motor Mount Grille					*	*	*	*	*	*	*	*	*
1	7051-029	Fan and Motor Mount Grille	*	*	*	*									
2	8104-011	Motor — Fan	*	*	*	*	*	*	*	*	*	*	*	*	*
3	5151-036	Fan Blade					*	*	*	*	*	*	*	*	*
3	5151-048	Fan Blade	*	*	*	*									
4	S166-014	Fan Venturi					*	*	*	*	*	*	*	*	*
4	S166-015	Fan Venturi	*	*	*	*									
5	100-280	Right Side/Front			*	*									
5	100-284	Right Side/Front	*	*											
5	100-297	Right Side/Front					*	*	*	*	*	*	*	*	*
6	126-227	Base			*	*									
6	126-238	Base	*	*											
6	126-247	Base					*	*	*	*	*	*	*	*	*
7	5051-066	Condenser Coil				*									
7	5051-068	Condenser Coil			*										
7	5051-071	Condenser Coil	*	*											
7	5051-078	Condenser Coil					*					*	*		
7	5051-083	Condenser Coil						*	*	*	*			*	*
8	106-150	Top			*	*									
8	106-154	Top	*	*											
8	106-160	Top					*	*	*	*	*	*	*	*	*
9	120-260	Partition	*	*	*	*									
9	120-280	Partition					*	*	*	*	*	*	*	*	*
10	8000-191	Compressor AW5519E	*												
10	8000-192	Compressor AW5528E		*											
10	8000-193	Compressor AV5535E			*										
10	8000-072	Compressor AV5542E				*									
10	8000-081	Compressor AV5546E					*								
10	8000-082	Compressor AV5546E										*			
10	8000-083	Compressor AV5546E											*		
10	8000-091	Compressor H23A543ABC						*							
10	8000-194	Compressor H23A543DBL							*						
10	8000-195	Compressor H23A543DBE												*	
10	8000-196	Compressor H23A623ABC								*					
10	8000-197	Compressor H23A623DBL									*				
10	8000-198	Compressor H23A623DBE													*
11	5651-114	Base Valve 3/8" x 3/8"		*	*	*	*	*	*	*	*	*	*	*	*
11	5651-116	Base Valve 3/8" x 1/4"	*												
12	5651-113	Base Valve 3/4" x 3/4"		*	*	*									
12	5651-115	Base Valve 5/8" x 5/8"	*												
12	5651-119	Base Valve 7/8" x 7/8"					*	*	*	*	*	*	*	*	*
13	164-544	Wire Channel	*	*	*	*	*	*	*	*	*	*	*	*	*
14	100-279	Left Side	*	*	*	*									
14	100-298	Left Side					*	*	*	*	*	*	*	*	*
15	116-159	Control Panel	*	*	*	*	*	*	*	*	*	*	*	*	*
16	132-122	Control Panel Cover	*	*	*	*	*	*	*	*	*	*	*	*	*

Cabinet and Functional Components

Drawing			HAC181-D	HAC241-D	HAC301-D	HAC361-G	HAC421-G	HAC481-G	HAC481-E	HAC601-G	HAC601-E	HAC421-E	HAC421-F	HAC481-F	HAC601-F
No.	Part No.	Description													
17	140-205	Base Valve Support	•	•	•	•	•	•	•	•	•	•	•	•	•
18	164-543	Channel	2	2	2	2	2	2	2	2	2	2	2	2	2
19	152-232	Service Door	•	•	•	•									
19	152-244	Service Door <i>562-244</i>					•	•	•	•	•	•	•	•	•
20	8401-007	Contactor 1P25A	•	•	•	•									
20	8401-016	Contactor					•	•		•					
20	8401-002	Contactor						•		•	•	•	•	•	•
21	8552-046	Capacitor 25+5/370V	•												
21	8552-050	Capacitor 40+5/370V			•										
21	8552-048	Capacitor 35+5/370V		•											
21	8552-053	Capacitor 45+5/440V						•							
21	8552-051	Capacitor 40+5/440V				•	•								
21	8552-054	Capacitor 55+5/440V								•					
21	8552-002	Capacitor 5/370V						•			•	•	•	•	•
22	112-101	Adapter Plate	•		•					•					
22	112-210	Adapter Plate						•		•	•	•	•	•	•
N/A	4099-400	Wiring Diagram	•	•	•	•	•	•		•					
N/A	4099-500	Wiring Diagram						•		•	•				
N/A	4099-600	Wiring Diagram											•	•	•
N/A	5625-052	Restrictor w/.052 Orifice	•												
N/A	5625-055	Restrictor w/.055 Orifice		•											
N/A	5625-063	Restrictor w/.063 Orifice			•										
N/A	5625-069	Restrictor w/.069 Orifice				•									
N/A	5625-078	Restrictor w/.078 Orifice					•					•	•		
N/A	5625-081	Restrictor w/.081 Orifice						•	•					•	
N/A	5625-092	Restrictor w/.092 Orifice								•	•				•