

REPLACEMENT PARTS MANUAL

SPLIT HEAT PUMPS MODELS 30HPQ6, 36HPQ7

Manual 2110-052

Revision --

Date 7-11-89

Supersedes

* GENERAL NOTES *

*Revised and/or additional pages may be issued from time to time.
*A complete and current manual consists of pages dated as shown in the following index.

** INDEX **

<u>Page Description</u>	<u>Page</u>	<u>Date</u>	<u>Supersedes</u>
Functional and Cabinet Components--Exploded View	1	7-11-89	
" " " --Usage List	2	7-11-89	
Control Panel--Layout	3	7-11-89	
" " --Usage List	4	7-11-89	

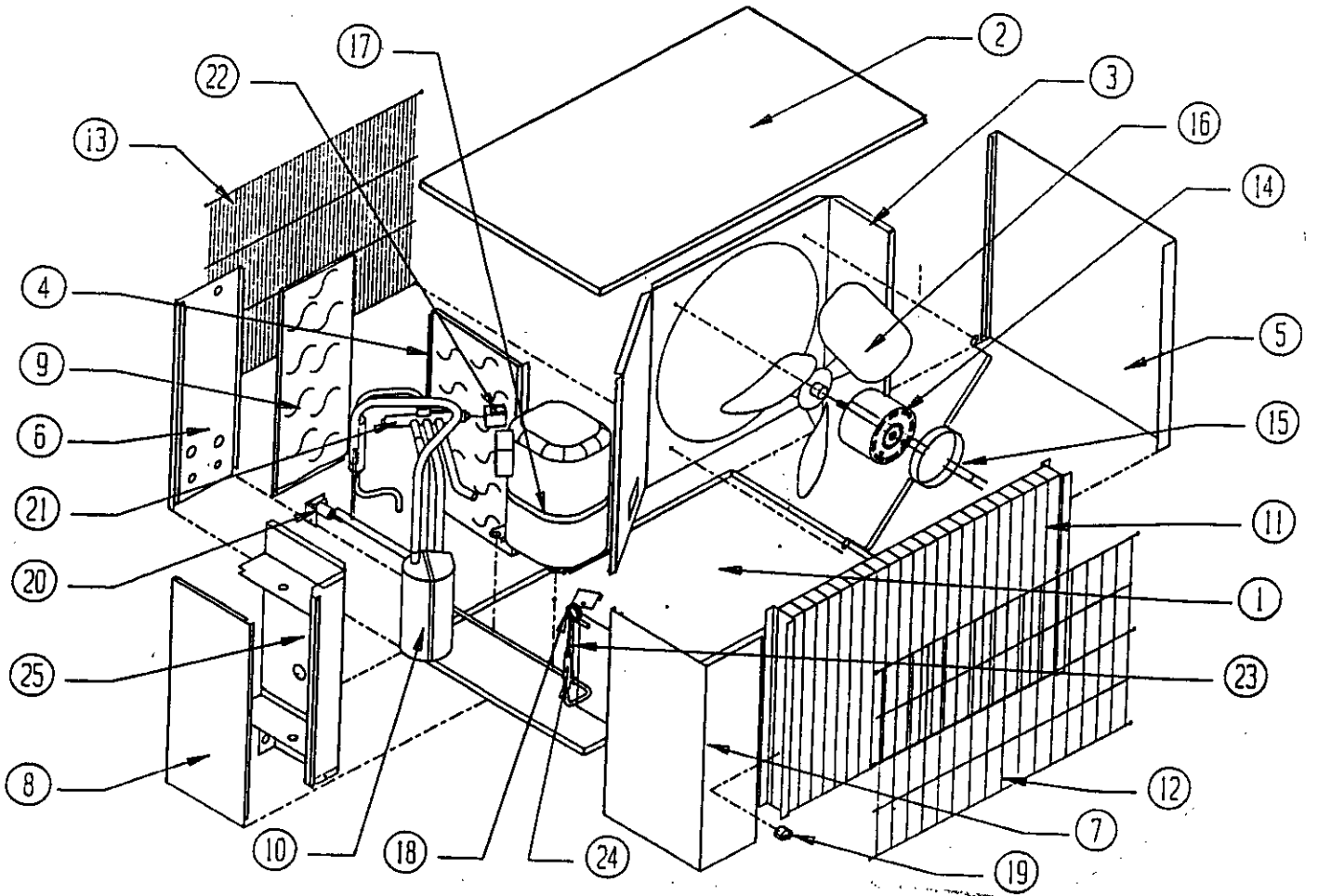
*** IMPORTANT ***

Contact the installing and/or local Bard distributor for all parts requirements. Make sure you have the complete model and serial number available from the unit rating plate.

BARD MANUFACTURING COMPANY

BRYAN, OHIO 43506

FUNCTIONAL AND CABINET COMPONENTS



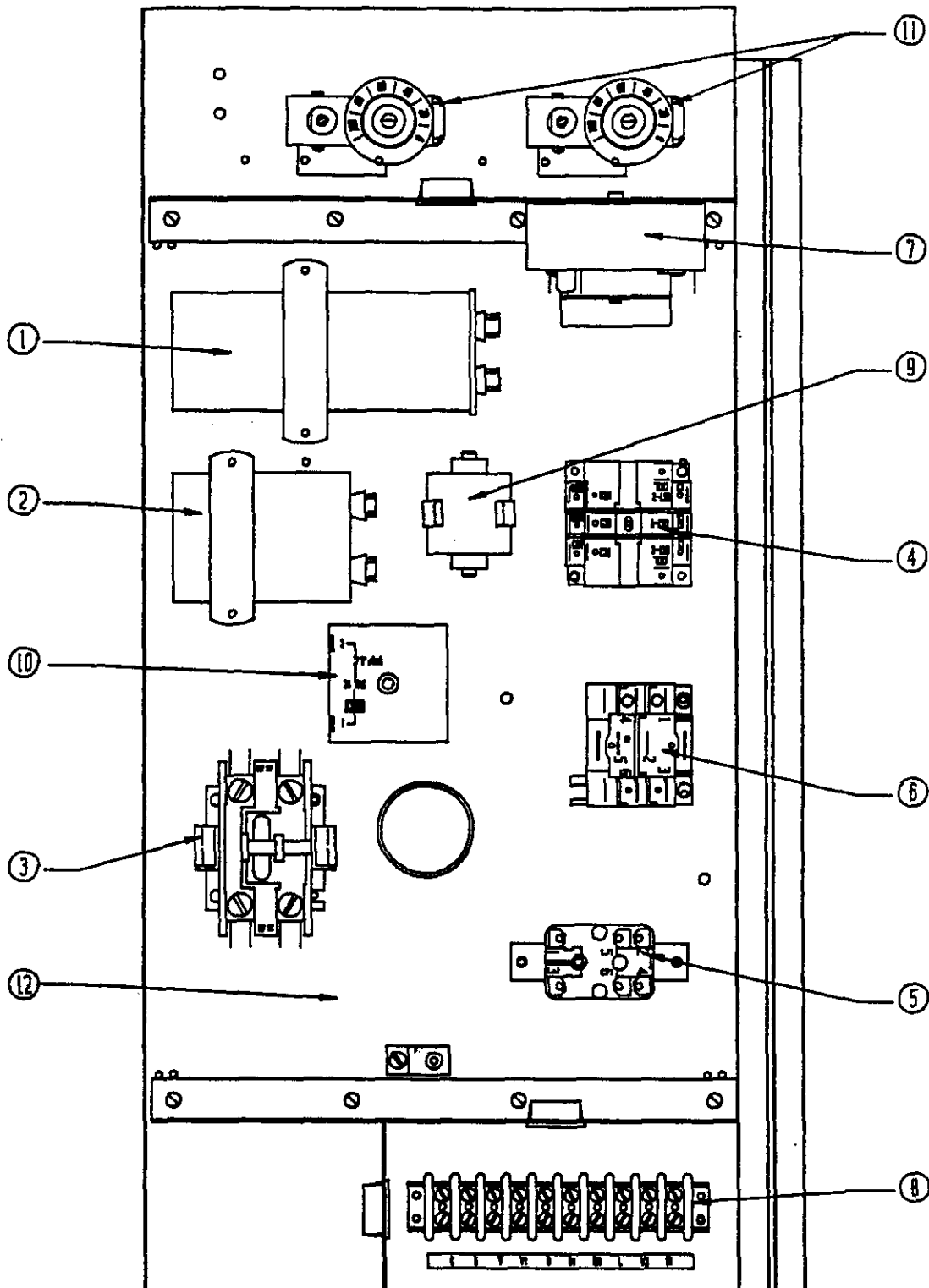
Date: 7-11-89
Supersedes:

FUNCTIONAL AND CABINET COMPONENTS

Dwg. No.	Part No.	Description	3 0 H P Q 6	3 0 H P Q 6 B	3 0 H P Q 6 C	3 0 H P Q 6 D	3 6 H P Q 7	3 6 H P Q 7 B	3 6 H P Q 7 C	3 6 H P Q 7 D	3 6 H P Q 7 E	3 6 H P Q 7 F
1	127-019	Base	X	X	X	X	X	X	X	X	X	X
2	507-018	Top	X	X	X	X	X	X	X	X	X	X
3	124-008	Fan Shroud	X	X	X	X	X	X	X	X	X	X
4	520-020	Compressor Partition	X	X	X	X	X	X	X	X	X	X
5	100-124	Side Right	X	X	X	X	X	X	X	X	X	X
6	148-032	Corner--Control Box	X	X	X	X	X	X	X	X	X	X
7	548-042	Corner--Condenser	X	X	X	X	X	X	X	X	X	X
8	132-021	Control Panel Cover	X	X	X	X	X	X	X	X	X	X
9	552-017	Door--Compressor Access	X	X	X	X	X	X	X	X	X	X
10	5202-016	Accumulator	X	X	X	X	X	X	X	X	X	X
11	5051-003	Condenser Coil	X	X	X	X						
11	5051-053	Condenser Coil					X	X	X	X	X	X
12	7051-001	Condenser Grille	X	X	X	X	X	X	X	X	X	X
13	7051-003	Inlet Grille	X	X	X	X	X	X	X	X	X	X
14	8103-009	Motor--Fan 1/5	X	X		X	X	X		X	X	X
14	8103-014	Motor--Fan 1/5 460V			X				X			
15	8200-001	Motor Mount--Fan	X	X	X	X	X	X	X	X	X	X
16	5151-007	Fan Blade	X	X	X	X	X	X	X	X	X	X
17	8000-103	Compressor AM5532F	X									
17	8000-053	Compressor CRG3-0250-TF5		X								
17	8000-054	Compressor CRG3-0250-TFD			X							
17	8000-087	Compressor H23A383ABCA					X					
17	8000-088	Compressor AV145RT						X			X	
17	8000-089	Compressor AV145TT							X			X
17	8000-038	Compressor				X						
17	8000-039	Compressor							X			
18	5811-020	Capillary Tube--Heat	1	1	1	1						
18	5811-012	Capillary Tube--Heat					2	2	2	2	2	2
19	8408-017	Defrost Thermostat	X	X	X	X	X	X	X	X	X	X
20	8406-010	High Pressure Switch	X	X	X	X	X	X	X	X	X	X
21	5650-013	Reversing Valve	X	X	X	X						
21	5650-006	Reversing Valve					X	X	X	X	X	X
22	5650-008	Solenoid Coil	X	X	X	X	X	X	X	X	X	X
23	5651-036	Check Valve	X	X	X	X	X	X	X	X	X	X
24	5210-002	Strainer	X	X	X	X						
24	5210-004	Strainer					X	X	X	X	X	X
25	*	Control Panel *See control panel drawing	X	X	X	X	X	X	X	X	X	X
	5625-063	Restrictor w/.063" Orifice	X	X	X	X	X	X	X	X	X	X

Date: 7-11-89
Supersedes:

CONTROL PANEL



30-36 HPB CONTROL PANEL

Date: 7-11-89
Supersedes:

CONTROL PANEL

Dwg. No.	Part No.	Description	3	3	3	3	3	3	3	3	3	3
			0	0	0	0	6	6	6	6	6	6
			H	H	H	H	H	H	H	H	H	H
			P	P	P	P	P	P	P	P	P	P
			Q	Q	Q	Q	Q	Q	Q	Q	Q	Q
			6	6	6	6	7	7	7	7	7	7
				B	C	D		B	C	D	E	F
1	8552-007	Capacitor 20/15-370V				x						
1	8552-043	Capacitor 45/370V	x									
1	8552-028	Capacitor 35/440V					x			x		
2	8552-002	Capacitor 5/370	x	x	x	x	x	x	x	x	x	x
3	8401-003	Contactactor--Comp 30A								x		
3	8401-007	Contactactor--Comp 25A	x			x	x					
3	8401-002	Contactactor--Comp 25A		x	x			x	x		x	x
4	8201-047	Relay--Defrost	x	x		x	x	x		x	x	x
4	8201-032	Relay--Defrost			x				x			
5	8201-015	Relay--Emergency Heat	x	x	x	x	x	x	x	x	x	x
6	8201-024	Relay--Compressor Fault	x				x					
7	8612-012	Defrost Timer	x	x	x	x	x	x	x	x	x	x
8	8607-011	Terminal Board	x	x	x	x	x	x	x	x	x	x
9	SK109	Low Voltage Start Kit	Fie				Fie					
			Ins				Ins					
10	CGAH-4	5 Min. Time Delay	<-----Field Installed----->									
11	8408-008	Outdoor Thermostat	<-----Field Installed----->									
12	117-038	Control Panel	x	x	x	x	x	x	x	x	x	x
	4028-110	Wiring Diagram	x				x				x	
	4028-210	Wiring Diagram		x				x				
	4028-310	Wiring Diagram			x				x			
	4028-411	Wiring Diagram				x						
	4028-410	Wiring Diagram								x		
	4028-610	Wiring Diagram										x

Date: 7-11-89
Supersedes:

