

# REPLACEMENT PARTS MANUAL

## SPLIT HEAT PUMPS MODELS 24UHPQA, 30UHPQA, 36UHPQA

Manual 2110-054

Revision C

Date 10-30-90

Supersedes 8-01-90

\*\*\*\*\*  
\* GENERAL NOTES \*  
\*\*\*\*\*

\*Revised and/or additional pages may be issued from time to time.  
\*A complete and current manual consists of pages dated as shown in the following index.

\*\*\*\*\*  
\*\* INDEX \*\*  
\*\*\*\*\*

<u>Page Description</u>	<u>Page</u>	<u>Date</u>	<u>Supersedes</u>
Functional and Cabinet Components--Exploded View	1	8-01-90	6-25-90
" " " --Usage List	2	10-30-90	8-01-90

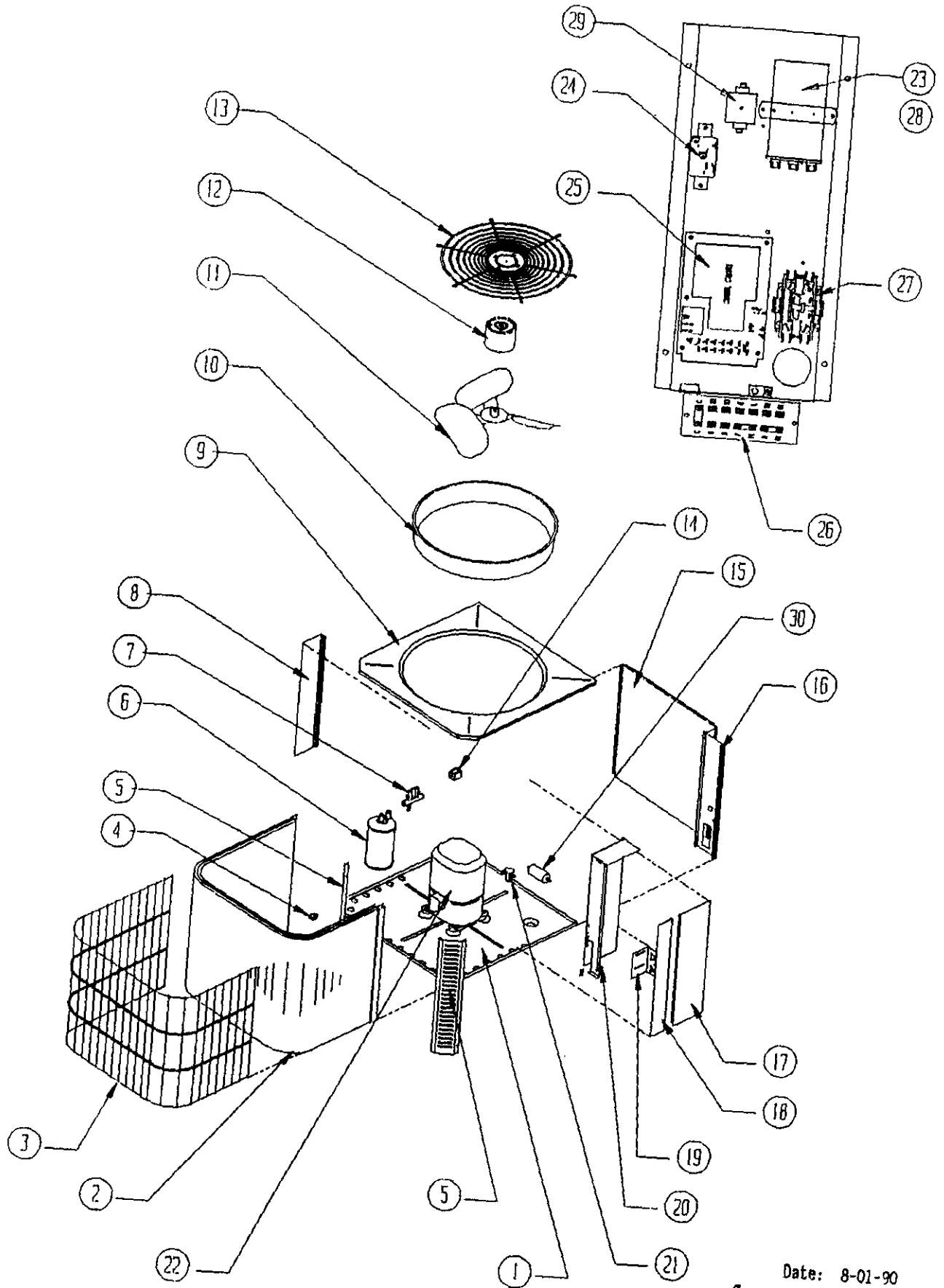
\*\*\*\*\*  
\*\*\* IMPORTANT \*\*\*  
\*\*\*\*\*

Contact the installing and/or local Bard distributor for all parts requirements. Make sure you have the complete model and serial number available from the unit rating plate.

BARD MANUFACTURING COMPANY

BRYAN, OHIO 43506

# FUNCTIONAL AND CABINET COMPONENTS



Date: 8-01-90  
Supersedes: 6-25-90

FUNCTIONAL AND CABINET COMPONENTS

Item No.	Part No.	Description	2	3	3
			4	0	6
			U	U	U
			H	H	H
			P	P	P
			Q	Q	Q
			A	A	A
1	127-114	Base Assenbly	x	x	x
2	600-0020	Condenser Coil Assembly 5051-055	x	x	
2	600-0021	Condenser Coil Assembly 5051-056			x
3	7051-019	Coil Grille	x	x	x
4	8408-019	Ther. Sensor	x	x	x
5	148-055	Front Corner	x	x	x
6	5202-016	Accumulator	x	x	x
7	5650-005	Reversing Valve	x		
7	5650-013	Reversing Valve		x	x
8	148-056	Left Rear Corner	x	x	x
9	106-093	Top	x	x	x
10	167-011	Fan Venturi	x	x	x
11	5151-039	Fan Blade	x	x	x
12	8102-010	Fan Motor 1/6 HP	x	x	x
13	7051-018	Fan Motor Mount Grille	x	x	x
14	5650-008	Reversing Valve Solenoid	x	x	x
15	152-144	Service Door	x	x	x
16	148-054	Control Panel Cover	x	x	x
17	132-064	Control Panel Cover	x	x	x
18	100-146	Right Side	x	x	x
19	140-144	Quick Connect Support	x	x	x
20	116-094	Control Panel Wrapper	x	x	x
21	5651-070	Expansion Valve		x	
21	5651-071	Expansion Valve			x
21	5651-072	Expansion Valve	x		
22	8000-099	Compressor H23B283ABCA		x	
22	8000-055	Compressor CRE3-0275-PFV			x
22	8000-101	Compressor H23B223ABC	x		
	8002-001	Compressor Sound Cover	x	x	
	8002-002	Compressor Sound Cover			x
23	8552-032	Capacitor 35/370V (See Note)		A	
23	8552-048	Capacitor 35+5/370V (See Note)		B	
23	8552-035	Capacitor 40/370V (See Note)			A
23	8552-050	Capacitor 40+5/370V (See Note)			B
23	8552-045	Capacitor 30/370 (See Note)	A		
23	8552-047	Capacitor 30+5/370V (See Note)	B		
24	8201-008	Emergency Heat Relay	x	x	x
25	8201-055	Heat Pump Control	x	x	x
26	8607-019	Terminal Strip	x	x	x
27	8401-007	Compressor Contactor 25 Amp	x	x	x
28	8552-002	Capacitor 5/370V (See Note)	A	A	A
29	8551-005	Motor Starting Device	x	x	x
30	5201-009	Heat Pump Filter Drier	x	x	x
33	8406-048	High Pressure Switch (Auto Reset)	x	x	x
	4087-110	Wiring Diagram (See Note)	A	A	A
	4087-111	Wiring Diagram (See Note)	B	B	B
	5625-059	Restrictor w/.059" Orifice	x		
	5625-067	Restrictor w/.067" Orifice		x	
	5625-072	Restrictor w/.072" Orifice			x
	8408-008	Outdoor Thermostat			Field Inst.

NOTE A: For units produced before date code K90.

NOTE B: For units produced with date code K90 and after.

Date: 10-30-90

Supersedes: 8-01-90

2110-054

Page 2

