

REPLACEMENT PARTS MANUAL

SPLIT HEAT PUMPS MODELS 24UHPQA, 24UHPQB, 30UHPQB, 36UHPQB

Manual 2110-054

Revision D

Date 01-01-92

Supersedes 10-30-90

* GENERAL NOTES *

*Revised and/or additional pages may be issued from time to time.
*A complete and current manual consists of pages dated as shown in the following index.

** INDEX **

<u>Page</u>	<u>Description</u>	<u>Page</u>	<u>Date</u>	<u>Supersedes</u>
	Functional and Cabinet Components--Exploded View	1	8-01-90	6-25-90
"	" " --Usage List	2	1-01-92	10-30-90
"	" " --Usage List	3	1-01-92	

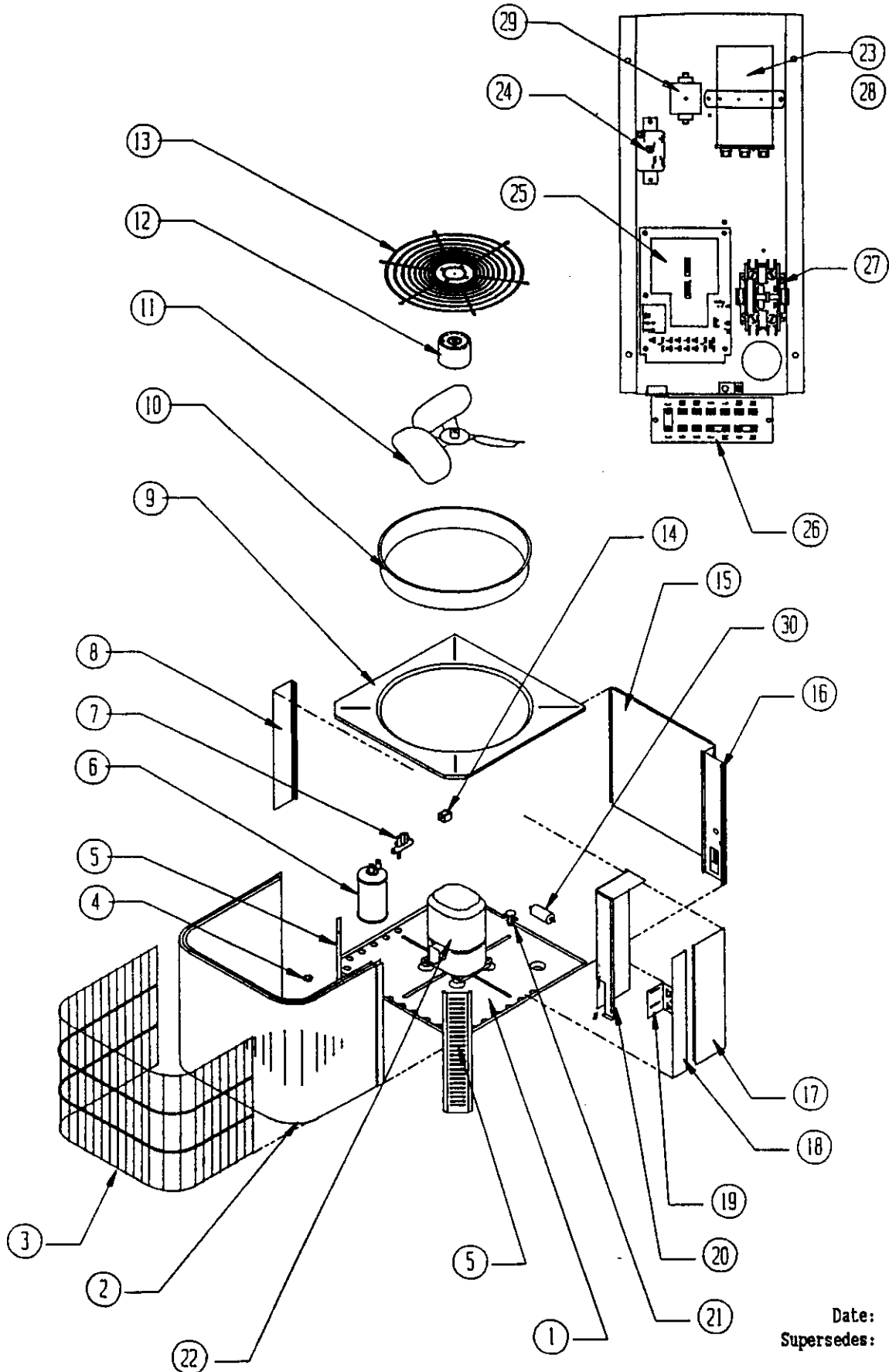
*** IMPORTANT ***

Contact the installing and/or local Bard distributor for all parts requirements. Make sure you have the complete model and serial number available from the unit rating plate.

BARD MANUFACTURING COMPANY

BRYAN, OHIO 43506

FUNCTIONAL AND CABINET COMPONENTS



Date: 8-01-90
Supersedes: 6-25-90

FUNCTIONAL AND CABINET COMPONENTS

Item No.	Part No.	Description	2	3	3	2
			4	0	6	4
			U	U	U	U
			H	H	H	H
			P	P	P	P
			Q	Q	Q	Q
			A	B	B	B
1	127-114	Base Assembly	X	X	X	X
2	600-0020	Condenser Coil Assembly 5051-055	X	X		X
2	600-0021	Condenser Coil Assembly 5051-056			X	
3	7051-019	Coil Grille	X	X	X	X
4	8408-019	Ther. Sensor	X			
4	8408-023	Ther. Sensor		X	X	X
5	148-055	Front Corner	X	X	X	X
6	5202-016	Accumulator	X	X	X	
7	5650-005	Reversing Valve	X			
7	5650-013	Reversing Valve		X	X	X
8	148-056	Left Rear Corner	X	X	X	X
9	106-093	Top	X	X	X	X
10	167-011	Fan Venturi	X	X	X	X
11	5151-039	Fan Blade	X	X	X	X
12	8102-010	Fan Motor 1/6 HP	X	X	X	X
13	7051-018	Fan Motor Mount Grille	X	X	X	X
14	5650-008	Reversing Valve Solenoid	X	X	X	X
15	152-144	Service Door	X	X	X	X
16	148-054	Control Panel Cover	X	X	X	X
17	132-064	Control Panel Cover	X	X	X	X
18	100-146	Right Side	X	X	X	X
19	140-144	Quick Connect Support	X	X	X	X
20	116-094	Control Panel Wrapper	X	X	X	X
21	5651-070	Expansion Valve		X		
21	5651-071	Expansion Valve			X	
21	5651-072	Expansion Valve	X			
21	5651-086	Expansion Valve				X
22	8000-099	Compressor H23B283ABCA		X		
22	8000-055	Compressor CRH3-0275-PFV			X	
22	8000-101	Compressor H23B223ABC	X			
22	8000-116	Compressor ZR23K1-PFV-230				X
	8002-001	Compressor Sound Cover	X	X		
	8002-002	Compressor Sound Cover			X	
23	8552-032	Capacitor 35/370V (See Note)		A		
23	8552-048	Capacitor 35+5/370V (See Note)		B		
23	8552-035	Capacitor 40/370V (See Note)			A	
23	8552-050	Capacitor 40+5/370V (See Note)			B	
23	8552-045	Capacitor 30/370 (See Note)	A			
23	8552-047	Capacitor 30+5/370V (See Note)				X
24	8201-008	Emergency Heat Relay	X	X	X	X

NOTE A: For units produced before date code K90.

NOTE B: For units produced with date code K90 and after.

NOTE C: For units produced before date code A91.

NOTE D: For units produced with date code A91 and after.

Date: 1-01-92
Supersedes: 10-30-90

2110-054

Page: 2

FUNCTIONAL AND CABINET COMPONENTS

Item No.	Part No.	Description	2	3	3	2	
			4	0	6	4	
			U	U	U	U	
			H	H	H	H	
			P	P	P	P	
			Q	Q	Q	Q	
			A	B	B	B	
25	8201-055	Heat Pump Control	x				
25	8201-061	Heat Pump Control		x	x	x	
26	8607-019	Terminal Strip	x	x	x	x	
27	8401-007	Compressor Contactor 25 Amp	x	x	x	x	
28	8552-002	Capacitor 5/370V (See Note)	A	A	A		
29	8551-005	Motor Starting Device	x	x	x		
30	5201-009	Heat Pump Filter Drier	x	x	x	x	
33	8406-048	High Pressure Switch (Auto Reset)	x	x	x	x	
	4087-110	Wiring Diagram (See Note)	A	A	A		
	4087-111	Wiring Diagram (See Note)	B	B	B		
	4087-112	Wiring Diagram				x	
	5625-059	Restrictor w/.059" Orifice	x			x	
	5625-067	Restrictor w/.067" Orifice		x			
	5625-072	Restrictor w/.072" Orifice			x		
	8408-008	Outdoor Thermostat	Field Inst.				

- NOTE A: For units produced before date code K90.
 NOTE B: For units produced with date code K90 and after.
 NOTE C: For units produced before date code A91.
 NOTE D: For units produced with date code A91 and after.

Date: 1-01-92
 Supersedes: 10-30-90