

REPLACEMENT PARTS MANUAL

SPLIT HEAT PUMPS

MODELS: 24UHPQB, 30UHPQB, 36UHPQB, 36UHPQB-B

Manual 2110-054

Revision H

Date 06-22-94

Supersedes 05-15-94

* GENERAL NOTES *

*Revised and/or additional pages may be issued from time to time.
*A complete and current manual consists of pages dated as shown in the following index.

** INDEX **

<u>Page Description</u>	<u>Page</u>	<u>Date</u>	<u>Supersedes</u>
Functional and Cabinet Components--Exploded View	1	08-01-90	06-25-90
" " " --Usage List	2	06-22-94	05-15-94
" " " --Usage List	3	06-22-94	05-15-94

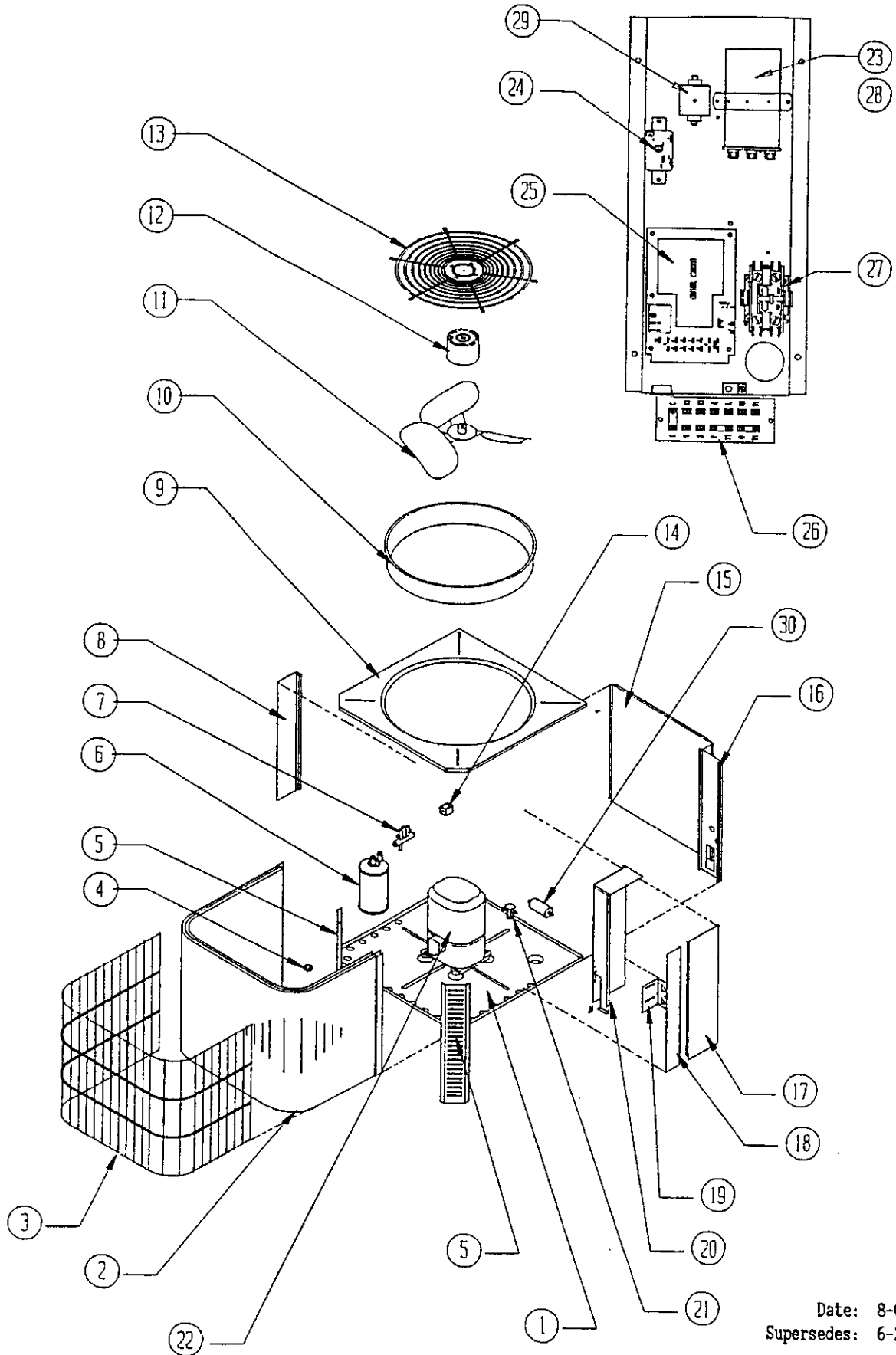
*** IMPORTANT ***

Contact the installing and/or local Bard distributor for all parts requirements. Make sure you have the complete model and serial number available from the unit rating plate.

BARD MANUFACTURING COMPANY

BRYAN, OHIO 43506

FUNCTIONAL AND CABINET COMPONENTS



Date: 8-01-90
Supersedes: 6-25-90

FUNCTIONAL AND CABINET COMPONENTS

Item No.	Part No.	Description	2	3	3	3
			4	0	6	6
			U	U	U	U
			H	H	H	H
			P	P	P	P
			Q	Q	Q	Q
			B	B	B	B
1	127-114	Base Assembly	X	X	X	X
2	600-0020	Condenser Coil Assembly 5051-055	X	X		
2	600-0021	Condenser Coil Assembly 5051-056			X	X
3	7051-019	Coil Grille	X	X	X	X
4	8408-023	Ther. Sensor (See Note G)	X	X	X	
4	8408-031	Defrost Thermostat (See Note H)	X	X	X	X
5	148-055	Front Corner	X	X	X	X
6	5202-016	Accumulator		X	X	X
7	5650-013	Reversing Valve (See Note E)	X	X	X	
7	5650-020	Reversing Valve (See Note F)	X	X	X	X
8	148-056	Left Rear Corner	X	X	X	X
9	106-093	Top	X	X	X	X
10	167-011	Fan Venturi	X	X	X	X
11	5151-039	Fan Blade	X	X	X	X
12	8102-010	Fan Motor 1/6 HP	X	X	X	X
13	7051-018	Fan Motor Mount Grille	X	X	X	X
14	5650-008	Reversing Valve Solenoid (See Note E)	X	X	X	
14	5650-022	Reversing Valve Solenoid (See Note F)	X	X	X	X
15	152-144	Service Door	X	X	X	X
16	148-054	Control Panel Cover	X	X	X	X
17	132-064	Control Panel Cover	X	X	X	X
18	100-146	Right Side	X	X	X	X
19	140-144	Quick Connect Support	X	X	X	X
20	116-094	Control Panel Wrapper	X	X	X	X
21	5651-070	Expansion Valve		X		
21	5651-071	Expansion Valve			X	X
21	5651-072	Expansion Valve				
21	5651-086	Expansion Valve	X			
22	8000-099	Compressor H23B283ABCA		X		
22	8000-055	Compressor CRH3-0275-PFV			X	
22	8000-056	Compressor CRH3-0275-TF5				X
22	8000-101	Compressor H23B223ABC				
22	8000-116	Compressor ZR23K1-PFV-230	X			
	8002-001	Compressor Sound Cover		X		
	8002-002	Compressor Sound Cover			X	X
23	8552-032	Capacitor 35/370V (See Note)		A		
23	8552-048	Capacitor 35+5/370V (See Note)		B		
23	8552-035	Capacitor 40/370V (See Note)			A	
23	8552-050	Capacitor 40+5/370V (See Note)			B	
23	8552-045	Capacitor 30/370 (See Note)				
23	8552-047	Capacitor 30+5/370V (See Note)	X			
24	8201-008	Emergency Heat Relay	X	X	X	X

- NOTE A: For units produced before date code K90.
 NOTE B: For units produced with date code K90 and after.
 NOTE C: For units produced before date code A91.
 NOTE D: For units produced with date code A91 and after.
 NOTE E: For units produced before date code C93.
 NOTE F: For units produced with date code C93 and after.
 NOTE G: For units produced with date code E94.
 NOTE H: For units produced with date code E94 and after.

Date: 6-22-94
 Supersedes: 5-15-94

2110-054

FUNCTIONAL AND CABINET COMPONENTS

Item No.	Part No.	Description	2 4 U H P Q B	3 0 U H P Q B	3 6 U H P Q B	3 6 U H P Q B - B
25	8201-068	Heat Pump Control (See Note G)	x	x	x	
25	8201-072	Heat Pump Control (See Note H)	x	x	x	x
26	8607-019	Terminal Strip	x	x	x	x
27	8401-002	Compressor Contactor				x
27	8401-007	Compressor Contactor 25 Amp	x	x	x	
28	8552-002	Capacitor 5/370V (See Note)		A	A	x
29	8551-005	Motor Starting Device		x	x	
30	5201-009	Heat Pump Filter Drier	x	x	x	x
33	8406-040	High Pressure Switch (Auto Reset)	x	x	x	x
	4087-110	Wiring Diagram (See Note)		A	A	
	4087-111	Wiring Diagram (See Note)		B	B	
	4087-112	Wiring Diagram	x			
	4087-210	Wiring Diagram				x
	5625-059	Restrictor w/.059" Orifice	x			
	5625-067	Restrictor w/.067" Orifice		x		
	5625-072	Restrictor w/.072" Orifice			x	x
	8408-008	Outdoor Thermostat				Field Inst.

- NOTE A: For units produced before date code K90.
 NOTE B: For units produced with date code K90 and after.
 NOTE C: For units produced before date code A91.
 NOTE D: For units produced with date code A91 and after.
 NOTE E: For units produced before date code C93.
 NOTE F: For units produced with date code C93 and after.
 NOTE G: For units produced with date code E94.
 NOTE H: For units produced with date code E94 and after.

Date: 5-15-94
 Supersedes: 3-01-93