

REPLACEMENT PARTS MANUAL

SPLIT  
HEAT PUMPS  
MODELS 42UHPQA, 48UHPQB, 48UHPQB-B  
60UHPQB, 60UHPQB-B

Manual 2110-055

Revision C

Date 01-01-92

Supersedes 07-11-91

\*\*\*\*\*  
\* GENERAL NOTES \*  
\*\*\*\*\*

\*Revised and/or additional pages may be issued from time to time.  
\*A complete and current manual consists of pages dated as shown in the following index.

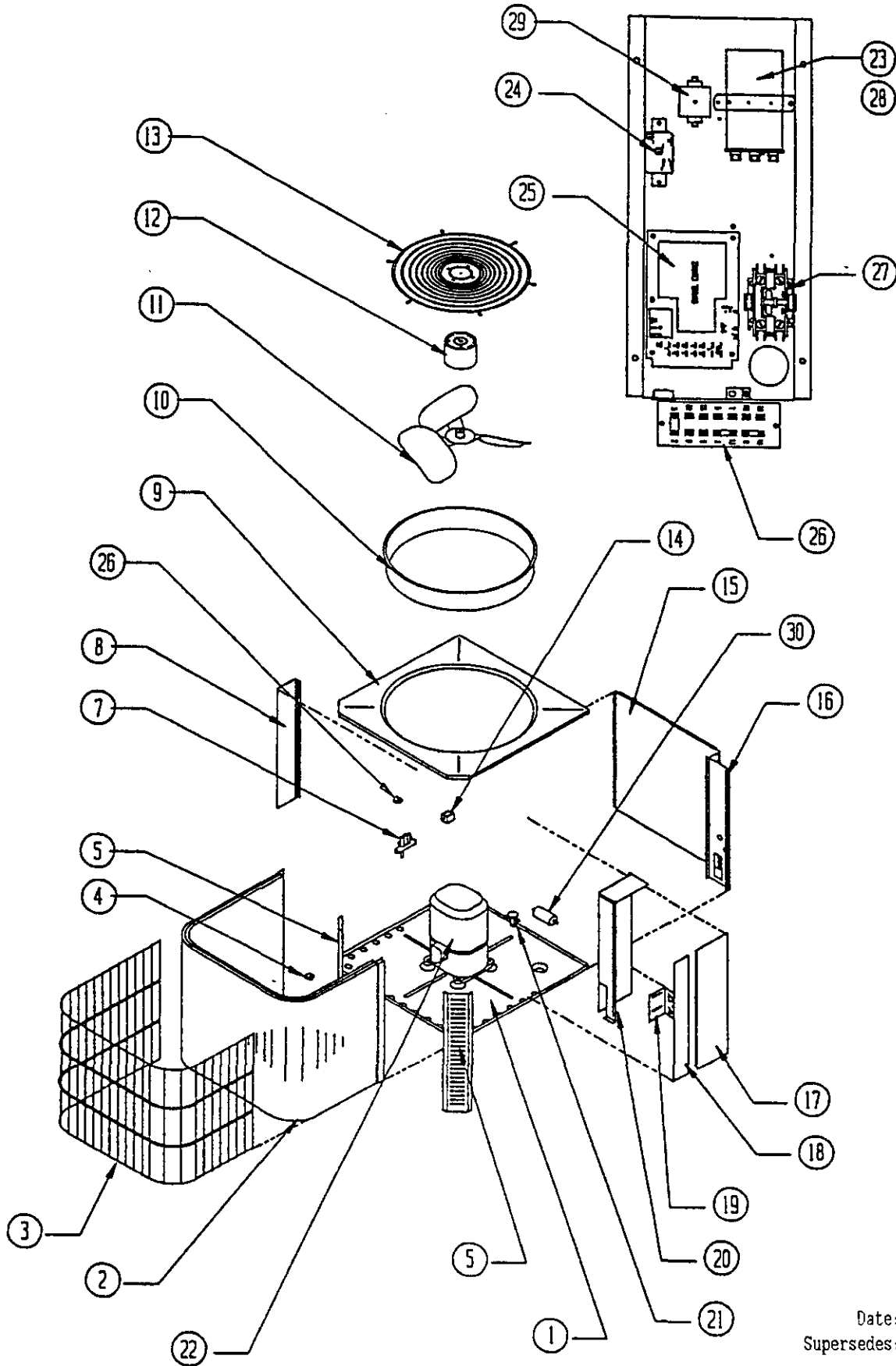
\*\*\*\*\*  
\*\* INDEX \*\*  
\*\*\*\*\*

<u>Page Description</u>	<u>Page</u>	<u>Date</u>	<u>Supersedes</u>
Functional and Cabinet Components--Exploded View	1	1-01-92	5-09-91
" " " --Usage List	2	1-01-92	7-11-91
" " " --Usage List	3	1-01-92	3-15-91

\*\*\*\*\*  
\*\*\* IMPORTANT \*\*\*  
\*\*\*\*\*

Contact the installing and/or local Bard distributor for all parts requirements. Make sure you have the complete model and serial number available from the unit rating plate.

FUNCTIONAL AND CABINET COMPONENTS



Date: 1-01-92  
Supersedes: 5-09-91

FUNCTIONAL AND CABINET COMPONENTS

Item No.	Part No.	Description	4 2 U H P Q A	4 8 U H P Q B	4 8 U H P Q B   B	6 0 U H P Q B	6 0 U H P Q B   B
1	127-114	Base Assembly	X	X	X	X	X
2	600-0026	Condenser Coil Assembly 5051-060	X	X	X		
2	600-0027	Condenser Coil Assembly 5051-061				X	X
3	7051-019	Coil Grille	X	X	X		
3	7051-020	Coil Grille				X	X
4	8408-023	Defrost Sensor	X	X	X	X	X
5	148-055	Front Corner	X	X	X		
5	148-058	Front Corner				X	X
7	5650-006	Reversing Valve	X				
7	5650-010	Reversing Valve		X	X	X	X
8	148-056	Left Rear Corner	X	X	X		
8	148-059	Left Rear Corner				X	X
9	106-093	Top	X	X	X	X	X
10	167-011	Fan Venturi	X	X	X	X	X
11	5151-036	Fan Blade	X	X	X		
11	5151-037	Fan Blade				X	X
12	8104-007	Fan Motor 1/3 HP	X	X	X		
12	8105-028	Fan Motor 1/2 HP				X	X
13	7051-018	Fan Motor Mount Grille	X	X	X	X	X
14	5650-008	Reversing Valve Solenoid	X	X	X	X	X
15	152-144	Service Door	X	X	X		
15	152-143	Service Door				X	X
16	148-054	Control Panel Corner	X	X	X		
16	148-057	Control Panel Corner				X	X
17	132-064	Control Panel Cover	X	X	X		
17	132-065	Control Panel Cover				X	X
18	100-146	Right Side	X	X	X		
18	100-147	Right Side				X	X
19	140-174	Quick Connect Support	X	X	X	X	X
20	116-094	Control Panel Wrapper	X	X	X		
20	116-096	Control Panel Wrapper				X	X
21	5651-077	Expansion Valve	X				
21	5651-087	Expansion Valve		X	X		
21	5651-079	Expansion Valve				X	X
22	8000-109	Compressor ZR40K1-PFV-230	X				
22	8000-119	Compressor ZR49K2-PFV-230		X			
22	8000-120	Compressor ZR49K2-TF5-230			X		
22	8000-121	Compressor ZR61K2-PFV-230				X	
22	8000-122	Compressor ZR61K2-TF5-230					X
	8002-005	Compressor Sound Cover				X	X
	8002-006	Compressor Sound Cover		X	X		
23	8552-049	Capacitor 35+5/440V	X				
23	8552-053	Capacitor 40+5/440V		X			
23	8552-054	Capacitor 55+5/440V				X	
24	8201-008	Emergency Heat Relay	X	X	X	X	X
25	8201-061	Heat Pump Control	X	X	X	X	X
26	8408-024	Discharge Line Thermostat			X		X

FUNCTIONAL AND CABINET COMPONENTS

Item No.	Part No.	Description	4 2 U H P Q A	4 8 U H P Q B	4 8 U H P Q B   B	6 0 U H P Q B	6 0 U H P Q B   B
26	8607-019	Terminal Strip	X	X	X	X	X
27	8401-003	Compressor Contactor 30 Amp 1 Pole	X	X			
27	8401-011	Compressor Contactor 30 Amp 3 Pole			X		X
27	8401-016	Compressor Contactor 35 Amp 1 Pole				X	
30	5201-009	Heat Pump Filter Drier	X	X	X	X	X
33	8406-048	High Pressure Switch	X	X	X	X	X
	4087-112	Wiring Diagram	X				
	4087-113	Wiring Diagram		X		X	
	4087-210	Wiring Diagram			X		X
	5625-078	Restrictor w/.078" Orifice	X	X	X		
	5625-092	Restrictor w/.092" Orifice				X	X
	8408-008	Outdoor Thermostat	X	X	X	X	X

Date: 1-01-92  
Supersedes: 3-15-91