



# REPLACEMENT PARTS MANUAL SPLIT HEAT PUMPS

**MODELS: 24UHPQC, 30UHPQC, 36UHPQC,  
42UHPQA, 48UHPQB, 48UHPQB-B,  
60UHPQB, 60UHPQB-B**

---

## GENERAL NOTES

- \* Revised and/or additional pages may be issued from time to time.
- \* A complete and current manual consists of pages dated as shown in the following index.

## INDEX

PAGE DESCRIPTION	PAGE	DATE	SUPERSEDES
Functional & Cabinet Components—Exploded View	2	05/01/95	10/07/92
Functional & Cabinet Components—Usage List	3	06/16/95	05/01/95
Functional & Cabinet Components—Usage List	4	06/16/95	05/01/95

## IMPORTANT

Contact the installing and/or local Bard distributor for all parts requirements. Make sure you have the complete model and serial number available from the unit rating plates.

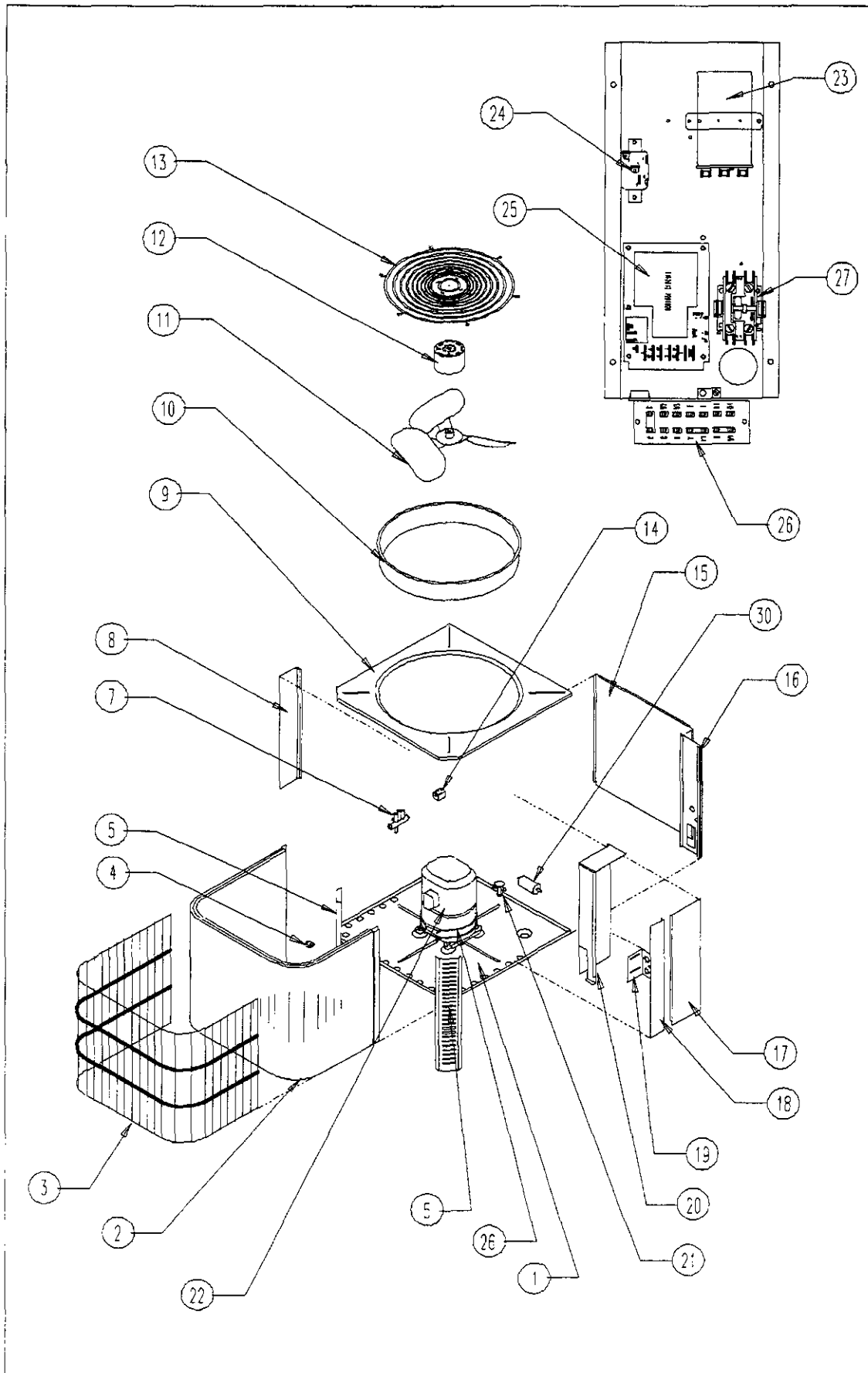
---

BARD MANUFACTURING COMPANY  
Bryan, Ohio 43506

Since 1914...Moving, ahead just as planned.

Manual:	2110-055 Rev. H
Supersedes:	Rev. G
File:	2150-004, Tab 5

# Functional and Cabinet Components



## Functional and Cabinet Components

Item No.	Part No.	Description	24UHPQC	30UHPQC	36UHPQC	42UHPQA	48UHPQB	48UHPQB-B	60UHPQB	60UHPQB-B
1	127-114	Base Assembly	x	x	x	x	x	x	x	x
2	600-0026	Condenser Coil Assembly 5051-060				x	x	x		
2	600-0027	Condenser Coil Assembly 5051-061							x	x
2	600-0034	Condenser Coil Assembly 5051-086	x	x						
2	600-0035	Condenser Coil Assembly 5051-087			x					
3	7051-019	Coil Grille	x	x	x	x	x	x		
3	7051-020	Coil Grille							x	x
4	8408-023	Defrost Sensor (See Note C)				x	x	x	x	x
4	8408-031	Defrost Thermostat 32°/57° (See Note D)				x	x	x	x	x
4	8408-032	Defrost Thermostat 32°/45°	x	x	x					
5	148-055	Front Corner	x	x	x	x	x	x		
5	148-058	Front Corner							x	x
7	5650-006	Reversing Valve (See Note A)				x				
7	5650-010	Reversing Valve (See Note A)					x	x	x	x
7	5650-015	Reversing Valve (See Note B)	x	x	x	x				
7	5650-019	Reversing Valve (See Note B)					x	x	x	x
8	148-056	Left Rear Corner	x	x	x	x	x	x		
8	148-059	Left Rear Corner							x	x
9	106-093	Top	x	x	x	x	x	x	x	x
10	167-011	Fan Venturi	x	x	x	x	x	x	x	x
11	5151-036	Fan Blade				x	x	x		
11	5151-037	Fan Blade							x	x
11	5151-039	Fan Blade	x	x	x					
12	8102-010	Fan Motor 1/6 HP	x	x	x					
12	8104-010	Fan Motor 1/4 HP				x	x	x		
12	8105-023	Fan Motor 1/3 HP							x	x
13	7051-018	Fan Motor Mount Grille	x	x	x	x	x	x	x	x
14	5650-008	Reversing Valve Solenoid (See Note A)				x	x	x	x	x
14	5650-023	Reversing Valve Solenoid (See Note B)	x	x	x	x	x	x	x	x
15	152-144	Service Door	x	x	x	x	x	x		
15	152-143	Service Door							x	x
16	148-054	Control Panel Cover	x	x	x	x	x	x		
16	148-057	Control Panel Cover							x	x
17	132-064	Control Panel Cover	x	x	x	x	x	x		
17	132-065	Control Panel Cover							x	x
18	100-146	Right Side	x	x	x	x	x	x		
18	100-147	Right Side							x	x
19	140-144	Quick Connect Support	x	x	x					
19	140-174	Quick Connect Support				x	x	x	x	x
20	116-094	Control Panel Wrapper	x	x	x	x	x	x		
20	116-096	Control Panel Wrapper							x	x
21	5651-077	Expansion Valve				x				
21	5651-087	Expansion Valve					x	x		
21	5651-079	Expansion Valve							x	x
21	5651-120	Expansion Valve	x	x						
21	5651-121	Expansion Valve			x					
22	8000-109	Compressor ZR40K1-PFV-230				x				
22	8000-119	Compressor ZR49K2-PFV-230					x			
22	8000-120	Compressor ZR49K2-TF5-230						x		
22	8000-121	Compressor ZR61K2-PFV-230							x	
22	8000-122	Compressor ZR61K2-TF5-230								x
22	8000-170	Compressor ZR22K3-PFV-230	x							
22	8000-172	Compressor ZR28K3-PFV-230		x						
22	8000-175	Compressor ZR34K3-PFV-230			x					

NOTE A: For units produced before date code D93.

NOTE B: For units produced with date code D93 and after.

NOTE C: For units produced before date code E94.

NOTE D: For units produced with date code E94 and after.

DATE: 06/16/95  
 SUPERSEDES: 05/01/95  
 PAGE: 3  
 MANUAL: 2110-055

# Functional and Cabinet Components

Item No.	Part No.	Description	24UHPQC	30UHPQC	36UHPQC	42UHPQA	48UHPQB	48UHPQB-B	60UHPQB	60UHPQB-B
	8002-005	Compressor Sound Cover							x	x
	8002-006	Compressor Sound Cover					x	x		
23	8552-002	Capacitor 5/370V						x		x
23	8552-049	Capacitor 35+5/440V				x				
23	8552-050	Capacitor 40+5/370V	x							
23	8552-052	Capacitor 45+5/370V		x						
23	8552-053	Capacitor 40+5/440V					x			
23	8552-054	Capacitor 55+5/440V							x	
23	8552-063	Capacitor 50+5/370V			x					
24	8201-008	Emergency Heat Relay	x	x	x	x	x	x	x	x
25	8201-068	Heat Pump Control (See Note C)				x	x	x	x	x
25	8201-072	Heat Pump Control (See Note D)	x	x	x	x	x	x	x	x
26	8605-012	Crankcase Heater (Wraparound)						x		x
26	8607-019	Terminal Strip	x	x	x	x	x	x	x	x
27	8401-003	Compressor Contactor 30 Amp 1 Pole				x	x			
27	8401-007	Compressor Contactor 25 Amp 1 Pole	x	x	x					
27	8401-016	Compressor Contactor 35 Amp 1 Pole							x	
27	8401-027	Compressor Contactor 30 Amp 3 Pole w/Aux. Contact						x		x
30	5201-009	Heat Pump Filter Drier	x	x	x	x	x	x	x	x
33	8406-040	High Pressure Switch	x	x	x	x	x	x	x	x
	4087-111	Wiring Diagram	x	x	x		x		x	
	4087-112	Wiring Diagram				x				
	4087-210	Wiring Diagram						x		x
	5625-063	Restrictor w/.063" orifice	x							
	5625-069	Restrictor w/.069" orifice		x						
	5625-072	Restrictor w/.072" orifice			x					
	5625-078	Restrictor w/.078" orifice				x	x	x		
	5625-092	Restrictor w/.092" orifice							x	x
	8408-008	Outdoor Thermostat	FI	FI	FI	FI	FI	FI	FI	FI

FI = Field Installed