

---

# Replacement Parts Manual

# Split Heat Pumps

## Models:

24UHPSC	30UHPSC
36UHPSC	42UHPSC
48UHPSB	48UHPSB-B
48UHPSC	48UHPSC-B
60UHPSC	60UHPSC-B

---

## General Notes

- Revised and/or additional pages may be issued from time to time.
- A complete and current manual consists of pages shown in the following contents section.

## Contents

Description	Page
Functional and Cabinet Components	
♦ Exploded View .....	1
♦ Usage List .....	2, 3

## Important

- Contact the installing and/or local Bard distributor for all parts requirements. Make sure you have the complete model and serial number available from the unit rating plates.

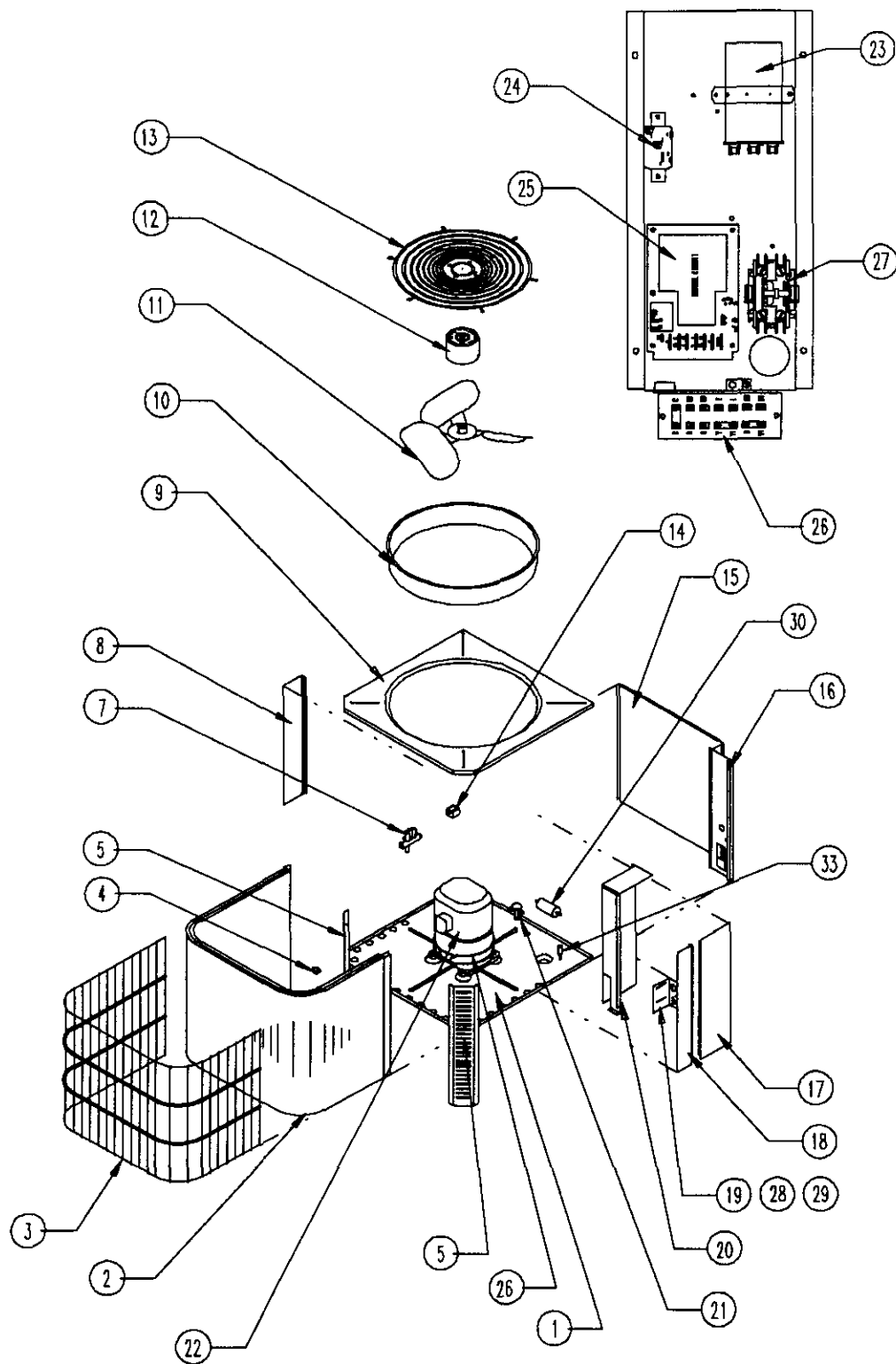


**BARD MANUFACTURING COMPANY**  
Bryan, Ohio 43506

*Since 1914...Moving, ahead just as planned.*

Manual: 2110-055 Rev. J  
File: 2150-004, Tab 5  
Date: 10/20/96

# Functional and Cabinet Components



SEXP-035

## Functional and Cabinet Components

Dwg. No.	Part No.	Description	24UHPSC	30UHPSC	36UHPSC	42UHPSC	48UHPSB	48UHPSC	48UHPSB-B	48UHPSC-B	60UHPSC	60UHPSB-B
1	127-114	Base Assembly	X	X	X	X	X	X	X	X	X	X
2	600-0026	Condenser Coil Assembly 5051-060				X	X	X	X	X		
2	600-0027	Condenser Coil Assembly 5051-061									X	X
2	600-0034	Condenser Coil Assembly 5051-086	X	X								
2	600-0035	Condenser Coil Assembly 5051-087			X							
3	7051-019	Coil Grille	X	X	X	X	X	X	X	X		
3	7051-020	Coil Grille									X	X
4	8408-023	Defrost Sensor (See Note C)					X	X	X	X		
4	8408-031	Defrost Thermostat 32°/57° (See Note D)			X	X	X	X	X	X	X	
4	8408-032	Defrost Thermostat 32°/45°	X	X	X							
5	148-055	Front Corner	X	X	X	X	X	X	X	X		
5	148-058	Front Corner									X	X
7	5650-006	Reversing Valve (See Note A)				X						
7	5650-010	Reversing Valve (See Note A)					X		X			
7	5650-015	Reversing Valve (See Note B)	X	X	X	X						
7	5650-019	Reversing Valve (See Note B)					X		X			
7	5650-025	Reversing Valve						X		X	X	X
8	148-056	Left Rear Corner	X	X	X	X	X	X	X	X		
8	148-059	Left Rear Corner									X	X
9	106-093	Top	X	X	X	X	X	X	X	X	X	X
10	S166-014	Fan Venturi	X	X	X	X	X	X	X	X	X	X
11	5151-036	Fan Blade				X	X	X	X	X		
11	5151-037	Fan Blade									X	X
11	5151-039	Fan Blade	X	X	X							
12	8102-010	Fan Motor 1/6 HP	X	X	X							
12	8104-010	Fan Motor 1/4 HP				X	X	X	X	X		
12	8105-023	Fan Motor 1/3 HP									X	X
13	7051-018	Fan Motor Mount Grille	X	X	X	X	X	X	X	X	X	X
14	5650-008	Reversing Valve Solenoid (See Note A)					X	X	X	X		
14	5650-023	Reversing Valve Solenoid (See Note B)	X	X	X	X	X	X	X	X	X	X
15	152-144	Service Door	X	X	X	X	X	X	X	X		
15	152-143	Service Door									X	X
16	148-054	Control Panel Corner	X	X	X	X	X	X	X	X		
16	148-057	Control Panel Corner									X	X
17	132-064	Control Panel Cover	X	X	X	X	X	X	X	X		
17	132-065	Control Panel Cover									X	X
18	100-146	Right Side	X	X	X	X	X	X	X	X		
18	100-147	Right Side									X	X
19	140-109	Base Valve Support	X	X	X							
19	140-194	Base Valve Support				X	X	X	X	X	X	X
20	116-094	Control Panel Wrapper	X	X	X	X	X	X	X	X		
20	116-096	Control Panel Wrapper									X	X
21	5651-077	Expansion Valve				X						
21	5651-087	Expansion Valve					X	X	X	X		
21	5651-079	Expansion Valve									X	X
21	5651-120	Expansion Valve										
21	5651-121	Expansion Valve	X	X	X							

NOTE A: For units produced before date code D93.

NOTE B: For units produced with date code D93 and after.

NOTE C: For units produced before date code E94.

NOTE D: For units produced with date code E94 and after.

# Functional and Cabinet Components

Dwg. No.	Part No.	Description	24UHPSC	30UHPSC	36UHPSC	42UHPSC	48UHPSB	48UHPSC	48UHPSB-B	48UHPSC-B	60UHPSC	60UHPSB-B
22	8000-176	Compressor ZR40K3-PFV-230				X						
22	8000-119	Compressor ZR49K2-PFV-230					X					
22	8000-120	Compressor ZR49K2-TF5-230							X			
22	8000-153	Compressor ZR61K3-PFV-230									X	
22	8000-154	Compressor ZR61K3-TF5-230										X
22	8000-170	Compressor ZR22K3-PFV-230	X									
22	8000-172	Compressor ZR28K3-PFV-230		X								
22	8000-175	Compressor ZR34K3-PFV-230			X							
22	8000-188	Compressor ZR49K3-PFV-230						X				
22	8000-189	Compressor ZR49K3-TF5-230								X		
	8002-005	Compressor Sound Cover									X	X
	8002-006	Compressor Sound Cover					X	X	X	X		
23	8552-002	Capacitor 5/370V							X	X		X
23	8552-054	Capacitor 55+5/440V				X						
23	8552-050	Capacitor 40+5/370V	X									
23	8552-052	Capacitor 45+5/370V		X								
23	8552-053	Capacitor 40+5/440V					X					
23	8552-061	Capacitor 80+5/370V									X	
23	8552-062	Capacitor 60+5/370V						X				
23	8552-063	Capacitor 50+5/370V			X							
24	8201-008	Emergency Heat Relay	X	X	X	X	X	X	X	X	X	X
25	8201-068	Heat Pump Control (See Note C)					X		X			
25	8201-072	Heat Pump Control (See Note D)	X	X	X	X	X	X	X	X	X	X
26	8605-012	Crankcase Heater (Wraparound)							X	X		X
26	8607-019	Terminal Strip	X	X	X	X	X	X	X	X	X	X
27	8401-007	Compressor Contactor 25 Amp 1 Pole	X	X	X							
27	8401-016	Compressor Contactor 35 Amp 1 Pole				X	X	X			X	
27	8401-027	Compressor Contactor 30 Amp 3 Pole w/ Auxillary Contact								X	X	X
28	5651-051	3/8" Base Valve	X	X	X	X	X	X	X	X	X	X
29	5651-053	3/4" Base Valve	X	X	X							
29	5651-095	7/8" Base Valve				X	X	X	X	X	X	X
30	5201-009	Heat Pump Filter Drier	X	X	X	X	X	X	X	X	X	X
33	8406-040	High Pressure Switch	X	X	X	X	X	X	X	X	X	X
	4087-111	Wiring Diagram	X	X	X	X	X	X			X	
	4087-210	Wiring Diagram							X	X		X
	5625-063	Restictor w/.063" Orifice	X									
	5625-069	Restictor w/.069" Orifice		X								
	5625-072	Restictor w/.072" Orifice			X							
	5625-078	Restictor w/.078" Orifice				X	X	X	X	X		
	5625-092	Restictor w/.092" Orifice									X	X
	8408-008	Outdoor Terminal	← Field Installed →									

- NOTE A: For units produced before date code D93.  
 NOTE B: For units produced with date code D93 and after.  
 NOTE C: For units produced before date code E94.  
 NOTE D: For units produced with date code E94 and after.