
Replacement Parts Manual

Split Heat Pump

Model: 60HPQ5-FD046

General Notes

- Revised and/or additional pages may be issued from time to time.
- A complete and current manual consists of pages shown in the following contents section.

Important

- Contact the installing and/or local Bluebird distributor for all parts requirements. Make sure you have the complete model and serial number available from the unit rating plates.

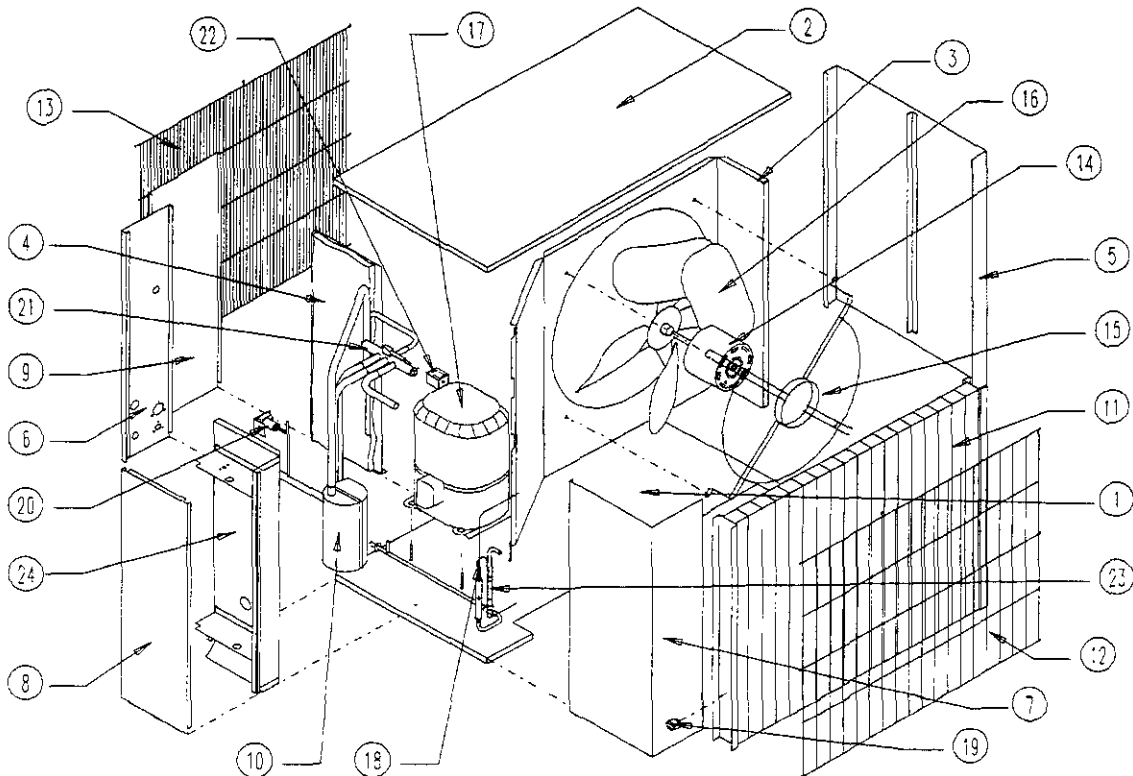
Contents

Description	Page
Cabinet and Functional Components	
♦ Exploded View	1
♦ Usage List	1
Control Panel	
♦ Exploded View	2
♦ Usage List	2

Cabinet and Functional Components

Drawing No.	Part No.	Description	60HPQ5-F
1	127-020	Base	•
2	506-019	Top	•
3	124-003	Fan Shroud	•
4	520-021	Compressor Partition	•
5	101-026	Side Right	•
6	148-035	Corner Control Box	•
7	149-034	Corner Condenser	•
8	132-022	Control Panel Cover	•
9	552-018	Door Compressor Access	•
10	5202-018	Accumulator	•
11	5051-029	Condenser Coil	•
12	7051-005	Grille Condenser	•
13	7051-004	Grille—Inlet	•
14	8105-014	Motor—Fan 1/3	•
15	8200-004	Motor Mount Fan	•
16	5151-026	Fan Blade FA2430-4B	•
17	8000-079	Compressor	•
18	800-0022	Capillary Tube Assembly	•
19	8408-016	Defrost Thermostat	•
20	8406-067	High Pressure Switch	•
21	5650-010	Reversing Valve ①	•
21	5650-019	Reversing Valve ②	•
22	5650-008	Solenoid Coil ①	•
22	5650-023	Solenoid Coil ②	•
23	5651-036	Check Valve	•

- ① For units produced before date code D93.
 ② For units produced with date code D93 and after.



Control Panel

Drawing			60HPC6-F
No.	Part No.	Description	
3	8401-002	Contactors—Comp. 25A	•
4	8201-071	Relay Defrost	•
5	8552-005	Capacitor 10/370V	•
7	8612-012	Timer	•
8	8607-011	Terminal Block	•
10	CGAH-404	5 Min. Time Delay	①
11	8408-008	Outdoor Thermostat	①
12	117-042	Control Panel	•
13	8607-013	Terminal Block	2
14	134-051	Terminal Block Barrier	•
	4040-610	Wiring Diagram	•
	5220-008	Discharge Muffler	•

① Field Installed

