
Replacement Parts Manual

QH SERIES ENERGY RECOVERY VENTILATOR

MODEL: QERV-A4B

General Notes

- Revised and/or additional pages may be issued from time to time.
- A complete and current manual consists of pages shown in the following contents section.

Important

- Contact the installing and/or local Bard distributor for all parts requirements. Make sure you have the complete model and serial number available from the unit rating plates.

Contents

Description	Page
Functional & Cabinet Components	
♦ Exploded View	1
♦ Usage List	2
Cassette Components	
♦ Exploded View	3
♦ Usage List	3
Control Panel	
♦ Exploded View	4
♦ Usage List	4
Blower Assembly	
♦ Exploded View	5
♦ Usage List	5

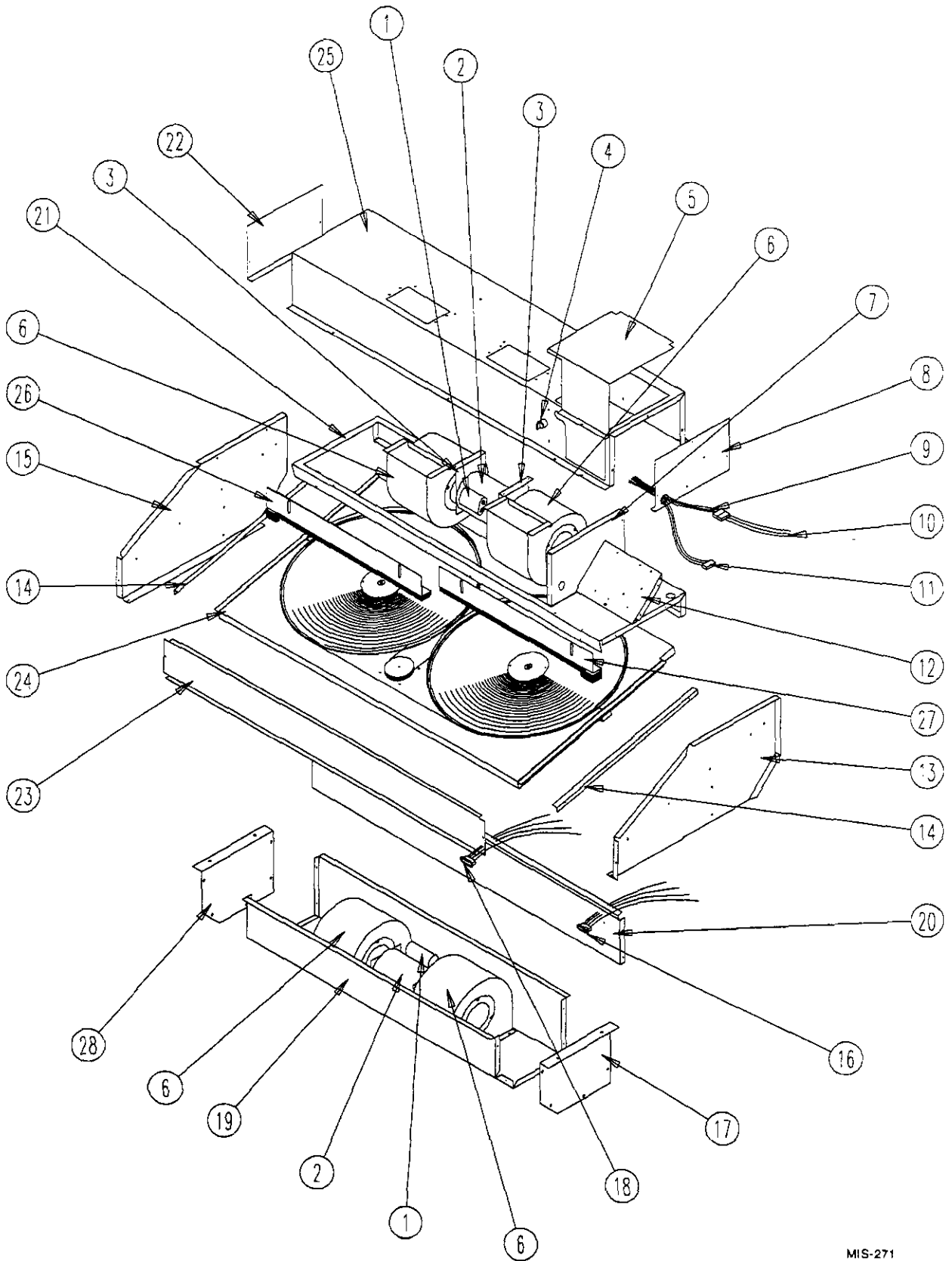


BARD MANUFACTURING COMPANY
Bryan, Ohio 43506

Since 1914...Moving ahead, just as planned.

Manual: 2110-1001A
Supersedes: 2110-1001
File: Vol II Tab 14
Date: 04-21-99

FUNCTIONAL and CABINET COMPONENTS



MIS-271

FUNCTIONAL and CABINET COMPONENTS

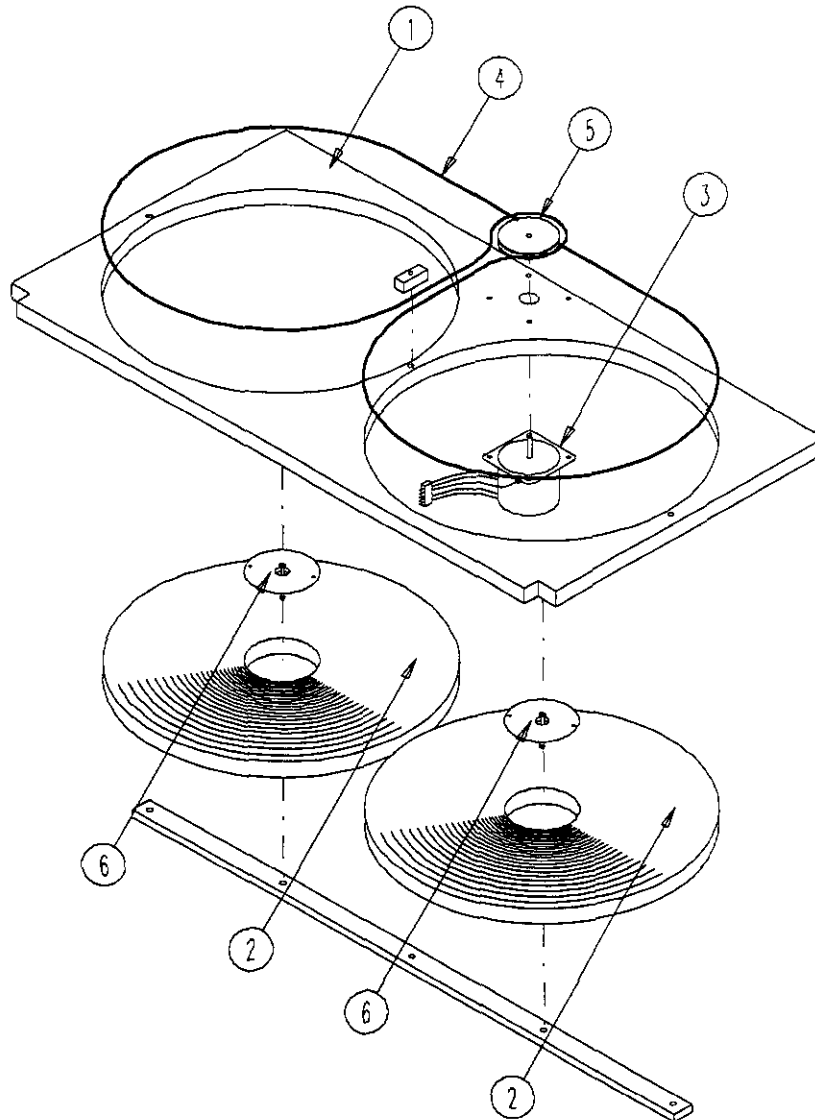
Drawing No.	Part No.	Description	QERV-A4B
1	8552-001	Blower Motor Capacitor	2
2	8101-011	Blower Motor	2
3	128-018	Motor Mount	4
4	8406-084	Speed Switch	1
5	132-147	Control Panel Cover	1
6	Blower Housing	See Blower Housing Drawing	2
7	520-307	Upper Blower Box Partition	1
8	100-332	Right End Upper Blower Box	1
9	3000-1059	Wire Harness	1
10	3000-1048	Wire Harness	1
11	3000-1063	Wire Harness	1
12	116-193	Control Panel	1
13	100X331	Right End	1
14	104-989	Side Angle	2
15	100Y331	Left End	1
16	3000-1061	Wire Harness	1
17	500X278	Right End Lower Blower Box	1
18	3000-1060	Wire Harness	1
19	538-084	Lower Blower Box Assembly	1
20	520-318	Lower Partition Assembly	1
21	106-188	Top Assembly	1
22	500-333	Left End Upper Blower Box	1
23	114-111	Front Fill	1
24	5070-018	Cassette - Complete	1
25	538-107	Upper Blower Box Assembly	1
26	139-110	Left Seal Assembly	1
27	139-111	Right Seal Assembly	1
28	500Y278	Left End Lower Blower Box	1
NS	3000-1073	Wire Harness	1
NS	4056-155	Wiring Diagram	

NS Not Shown

CASSETTE COMPONENTS

QERV-A4B

Drawing No.	Part No.	Description	QERV-A4B
1	5070-022	Cassette Assembly – Complete with Motors	1
2	5070-008	Cassette Wheel	2
3	8101-016	Cassette Motor	1
4	5070-024	Cassette Drive Belt	1
5	5070-025	Cassette Pulley	1
6	5070-007	Cassette Hardware Kit (2 wheel shafts, nuts, washers)	1



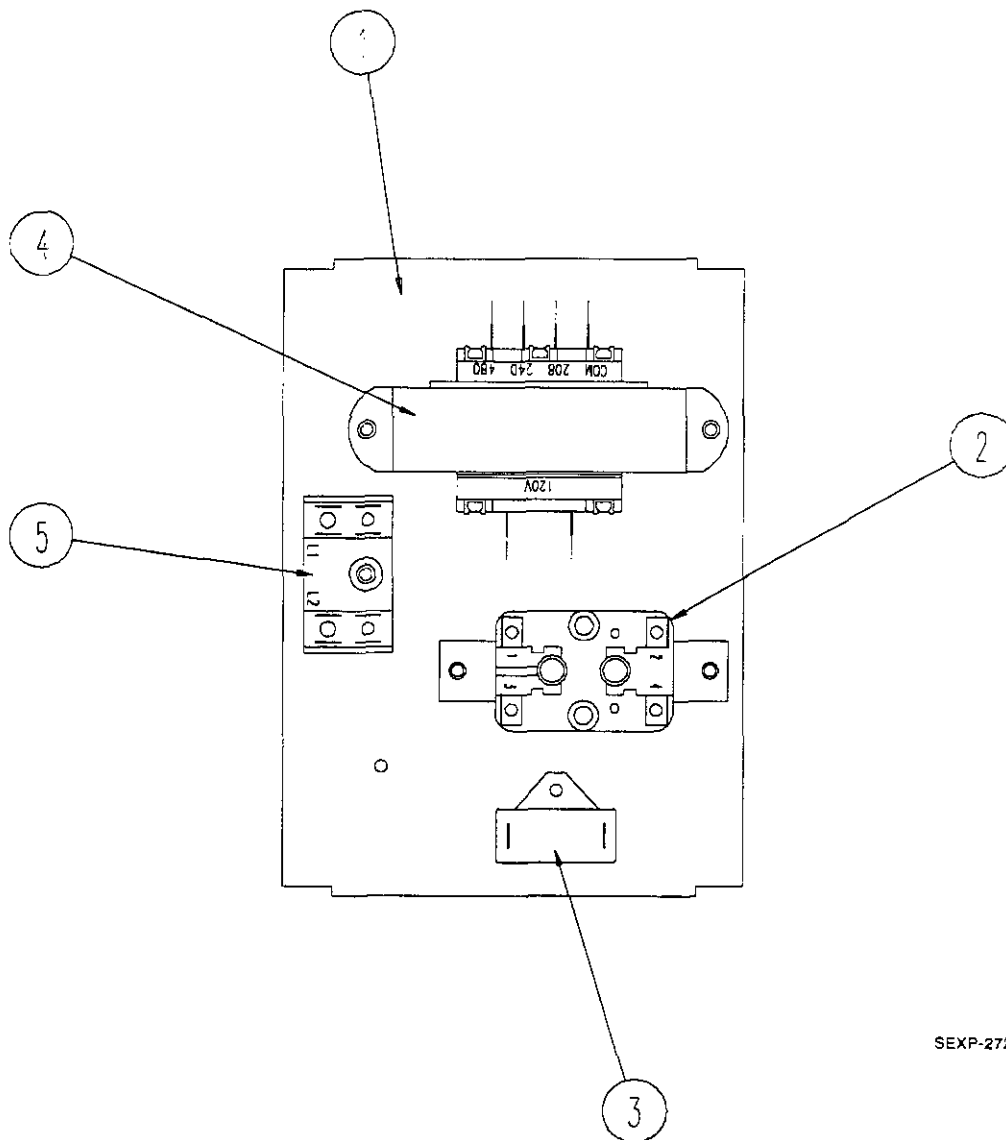
SEXP-259

CONTROL PANEL

QERV-A4B

Drawing No.	Part No.	Description	
1	116-193	Control Panel	X
2	8201-008	Blower Relay	X
3	8552-070	Cassette Motor Capacitor	2
4	8407-043	Transformer	X
5	8607-017	Terminal Block	X
NS	8406-084	Speed Switch	X

NS = Not Shown

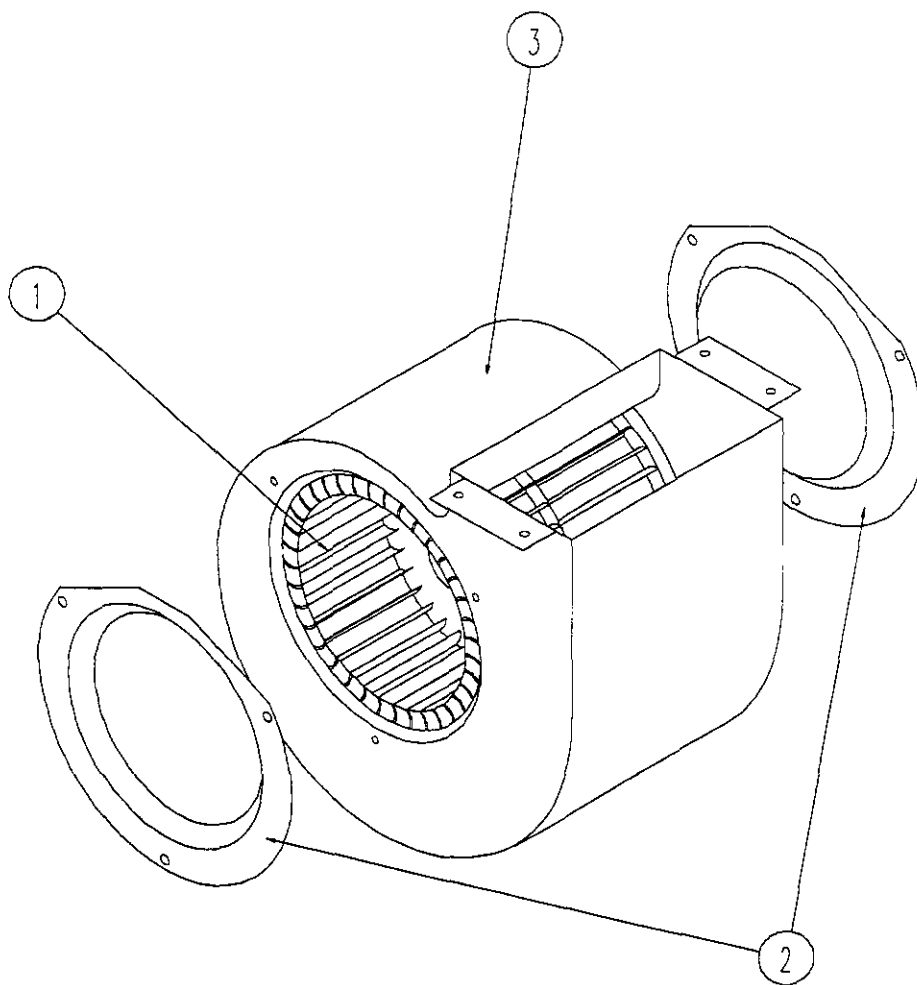


SEXP-272

BLOWER ASSEMBLY

QERV-A4B

Drawing No.	Part No.	Description	
1	5152-078	Blower Wheel	X
2	5152-080	Inlet Ring	X
3	5152-079	Blower Housing	X



SEXP-218