

Replacement Parts Manual

QH SERIES ENERGY RECOVERY VENTILATOR

MODEL: QERV-A4B

General Notes

- Revised and/or additional pages may be issued from time to time.
- A complete and current manual consists of pages shown in the following contents section.

Important

- Contact the installing and/or local Bard distributor for all parts requirements. Make sure you have the complete model and serial number available from the unit rating plates.

Contents

| Description | Page |
|---------------------------------|------|
| Functional & Cabinet Components | |
| • Exploded View | 1 |
| • Usage List | 2 |
| Cassette Components | |
| • Exploded View | 3 |
| • Usage Lists | 3 |
| Control Panel | |
| • Exploded View | 4 |
| • Usage List | 4 |
| Blower Assembly | |
| • Exploded View | 5 |
| • Usage List | 5 |

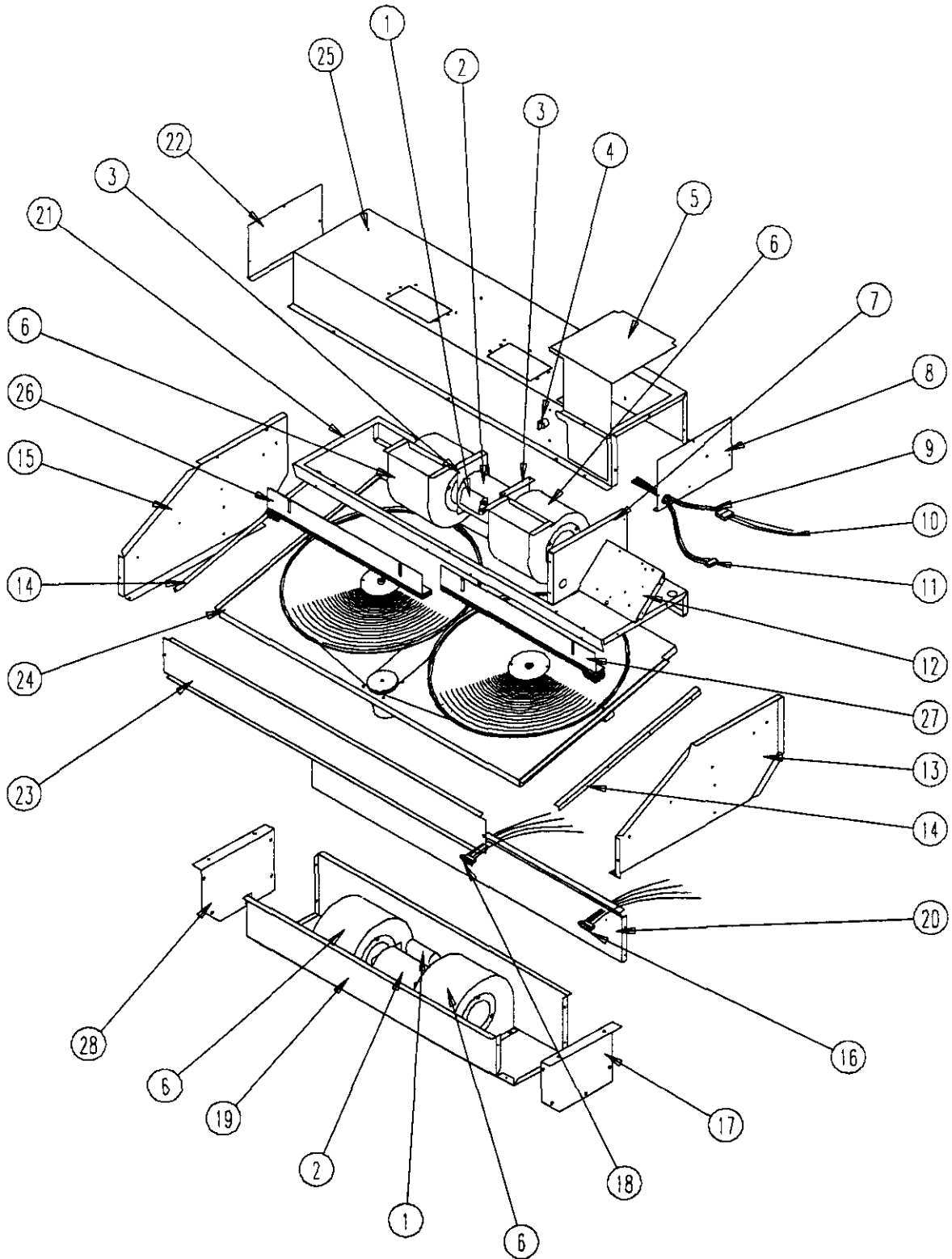


BARD MANUFACTURING COMPANY
Bryan, Ohio 43506

Since 1914...Moving ahead, just as planned.

Manual: 2110-1001
File: Tab 14
Date: 06-23-97

FUNCTIONAL and CABINET COMPONENTS



SEXP-271

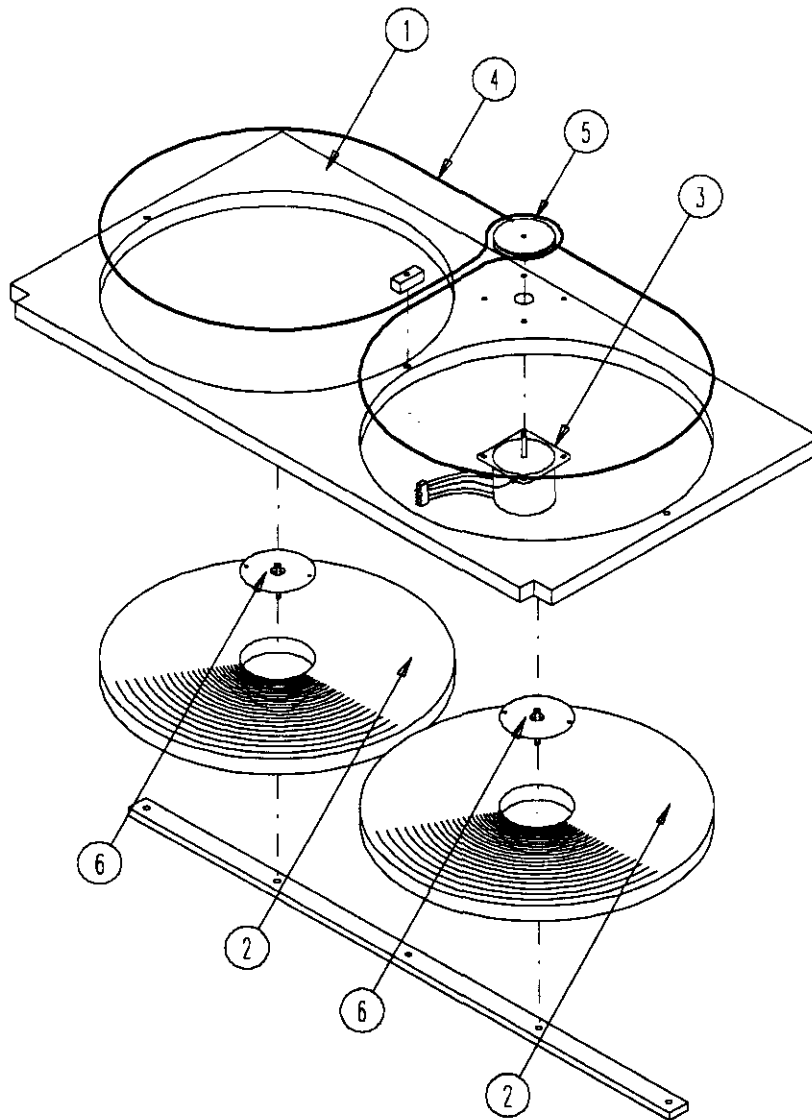
FUNCTIONAL and CABINET COMPONENTS

| Drawing No. | Part No. | Description | QERV-A4B |
|----------------|----------------|----------------------------|----------|
| 1 | 8552-001 | Blower Motor Capacitor | 2 |
| 2 | 8101-011 | Blower Motor | 2 |
| 3 | 128-018 | Motor Mount | 4 |
| 4 | 8406-084 | Speed Switch | 1 |
| 5 | 132-147 | Control Panel Cover | 1 |
| 6 | Blower Housing | See Blower Housing Drawing | 2 |
| 7 | 520-307 | Upper Blower Box Partition | 1 |
| 8 | 100-332 | Right End Upper Blower Box | 1 |
| 9 | 3000-1059 | Wire Harness | 1 |
| 10 | 3000-1048 | Wire Harness | 1 |
| 11 | 3000-1063 | Wire Harness | 1 |
| 12 | 116-193 | Control Panel | 1 |
| 13 | 100X331 | Right End | 1 |
| 14 | 104-989 | Side Angle | 2 |
| 15 | 100Y331 | Left End | 1 |
| 16 | 3000-1061 | Wire Harness | 1 |
| 17 | 500X278 | Right End Lower Blower Box | 1 |
| 18 | 3000-1060 | Wire Harness | 1 |
| 19 | 538-084 | Lower Blower Box Assembly | 1 |
| 20 | 520-318 | Lower Partition Assembly | 1 |
| 21 | 106-188 | Top Assembly | 1 |
| 22 | 500-333 | Left End Upper Blower Box | 1 |
| 23 | 114-111 | Front Fill | 1 |
| 24 | 5070-018 | Cassette - Complete | 1 |
| 25 | 538-107 | Upper Blower Box Assembly | 1 |
| 26 | 139-110 | Left Seal Assembly | 1 |
| 27 | 139-111 | Right Seal Assembly | 1 |
| 28 | 500Y278 | Left End Lower Blower Box | 1 |
| NS | 3000-1073 | Wire Harness | 1 |
| NS | 4056-155 | Wiring Diagram | |

NS Not Shown

CASSETTE COMPONENTS

| Drawing No. | Part No. | Description | QERV-A4B |
|-------------|----------|--|----------|
| 1 | 5070-022 | Cassette Assembly – Complete with Motors | 1 |
| 2 | 5070-008 | Cassette Wheel | 2 |
| 3 | 8101-016 | Cassette Motor | 2 |
| 4 | 5070-024 | Cassette Drive Belt | 2 |
| 5 | 5070-025 | Cassette Pulley | 2 |
| 6 | 5070-007 | Cassette Hardware Kit (2 wheel shafts, nuts, washers) | 1 |

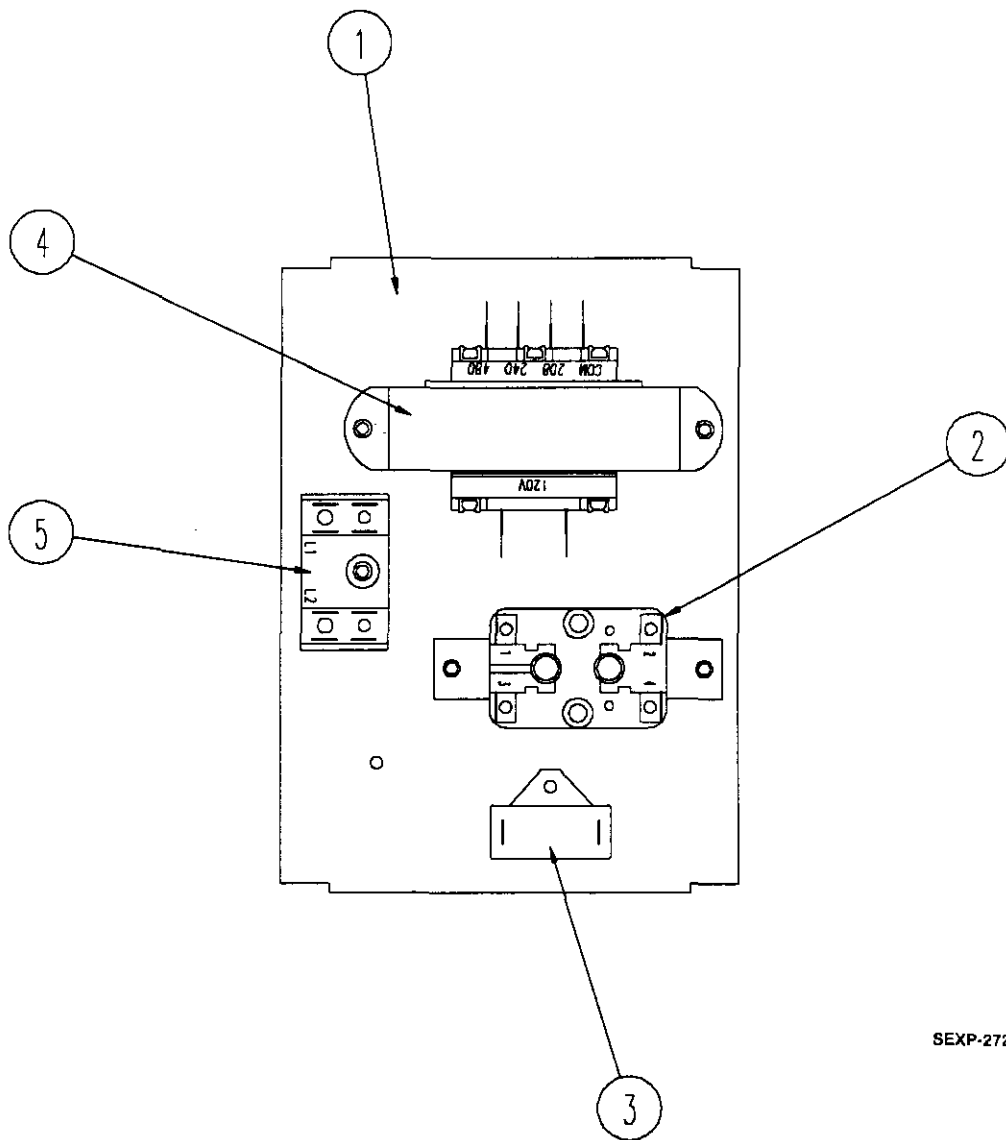


SEXP-259

CONTROL PANEL

| Drawing No. | Part No. | Description | QERV-A1B |
|-------------|----------|--------------------------|----------|
| 1 | 116-193 | Control Panel | X |
| 2 | 8201-008 | Blower Relay | X |
| 3 | 8552-070 | Cassette Motor Capacitor | 2 |
| 4 | 8407-043 | Transformer | X |
| 5 | 8607-017 | Terminal Block | X |
| NS | 8406-084 | Speed Switch | X |

NS = Not Shown

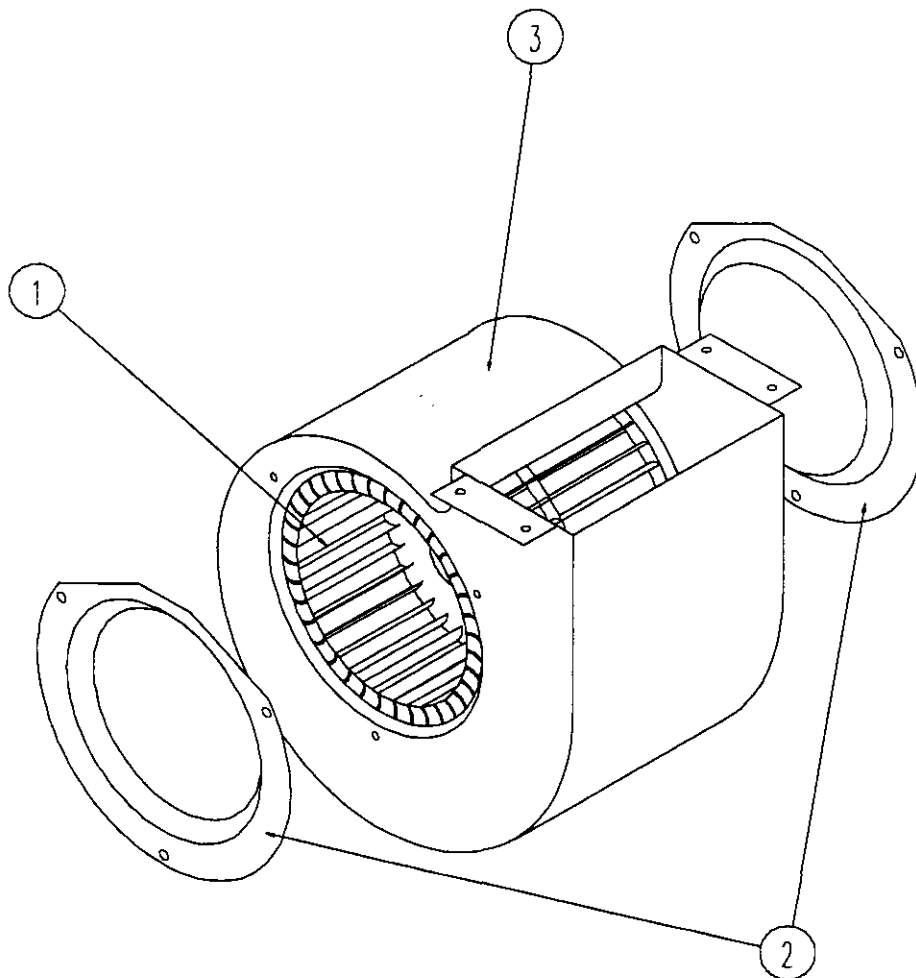


SEXP-272

BLOWER ASSEMBLY

QERV-A4B

| Drawing No. | Part No. | Description | |
|-------------|----------|----------------|---|
| 1 | 5152-078 | Blower Wheel | X |
| 2 | 5152-080 | Inlet Ring | X |
| 3 | 5152-079 | Blower Housing | X |



SEXP-218