

REPLACEMENT PARTS MANUAL

BLOWER COIL UNIT

MODELS: BC48A, BC60A

Manual 2110-103

Revision A

Date 03-01-94

Supersedes 10-10-89

* GENERAL NOTES *

*Revised and/or additional pages may be issued from time to time.
*A complete and current manual consists of pages dated as shown in the following index.

** INDEX **

<u>Page Description</u>	<u>Page</u>	<u>Date</u>	<u>Supersedes</u>
Cabinet Components--Exploded View	1	10-10-89	
" " --Usage List	2	10-10-89	
Functional Components--Exploded View	3	10-10-89	
" " --Usage List	4	10-10-89	
Functional Components--Exploded View	5	10-10-89	
" " --Usage List	6	10-10-89	
Control Panel--Layout	7	10-10-89	
" " --Usage List	8	03-01-95	10-10-89
Control Panel--Layout	9	10-10-89	
" " --Usage List	10	10-10-89	
Control Panel--Layout	11	10-10-89	
" " --Usage List	12	03-01-95	10-10-89
Control Panel--Layout	13	10-10-89	
" " --Usage List	14	10-10-89	

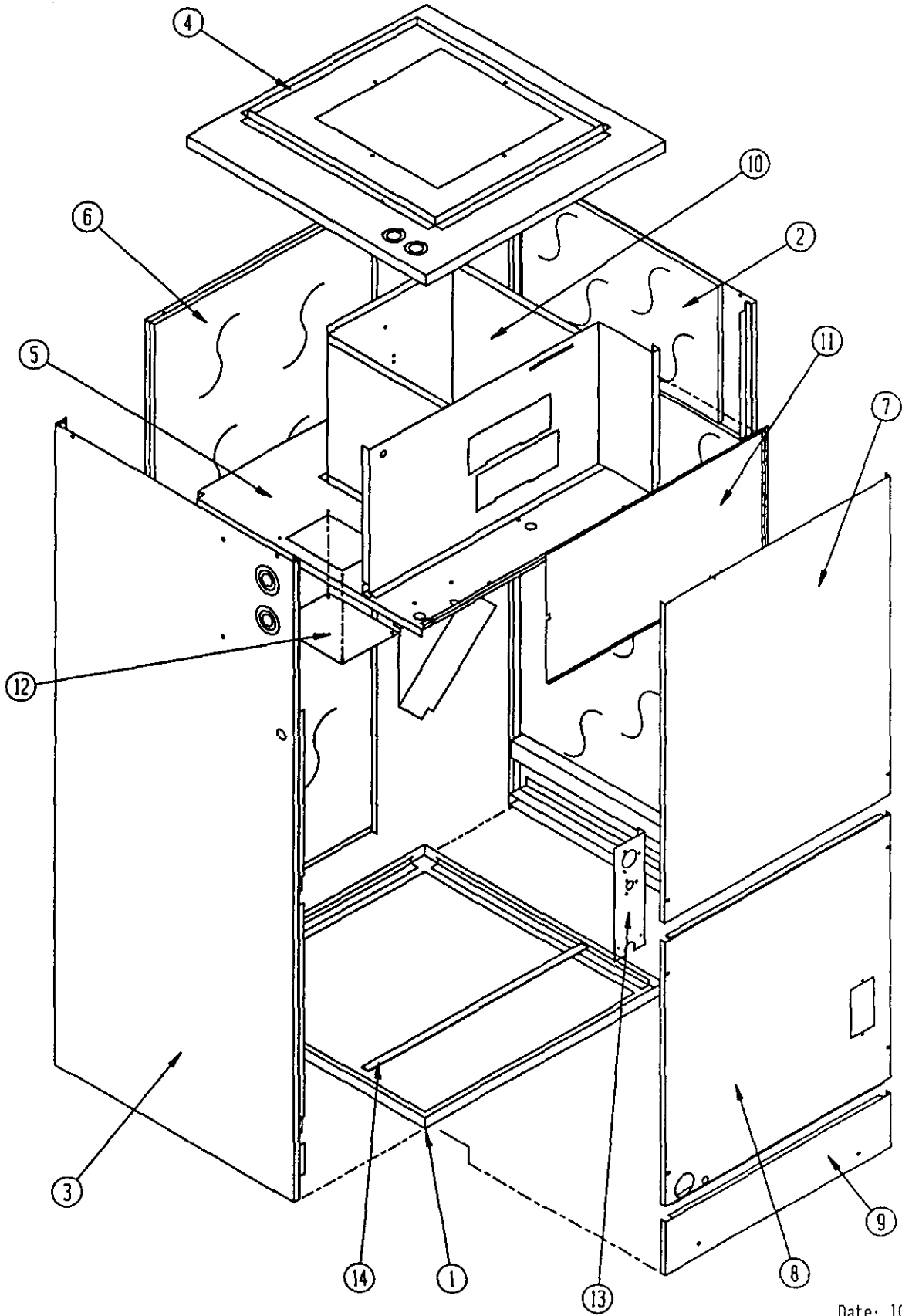
*** IMPORTANT ***

Contact the installing and/or local Bard distributor for all parts requirements. Make sure you have the complete model and serial number available from the unit rating plate.

BARD MANUFACTURING COMPANY

BRYAN, OHIO 43506

CABINET COMPONENTS



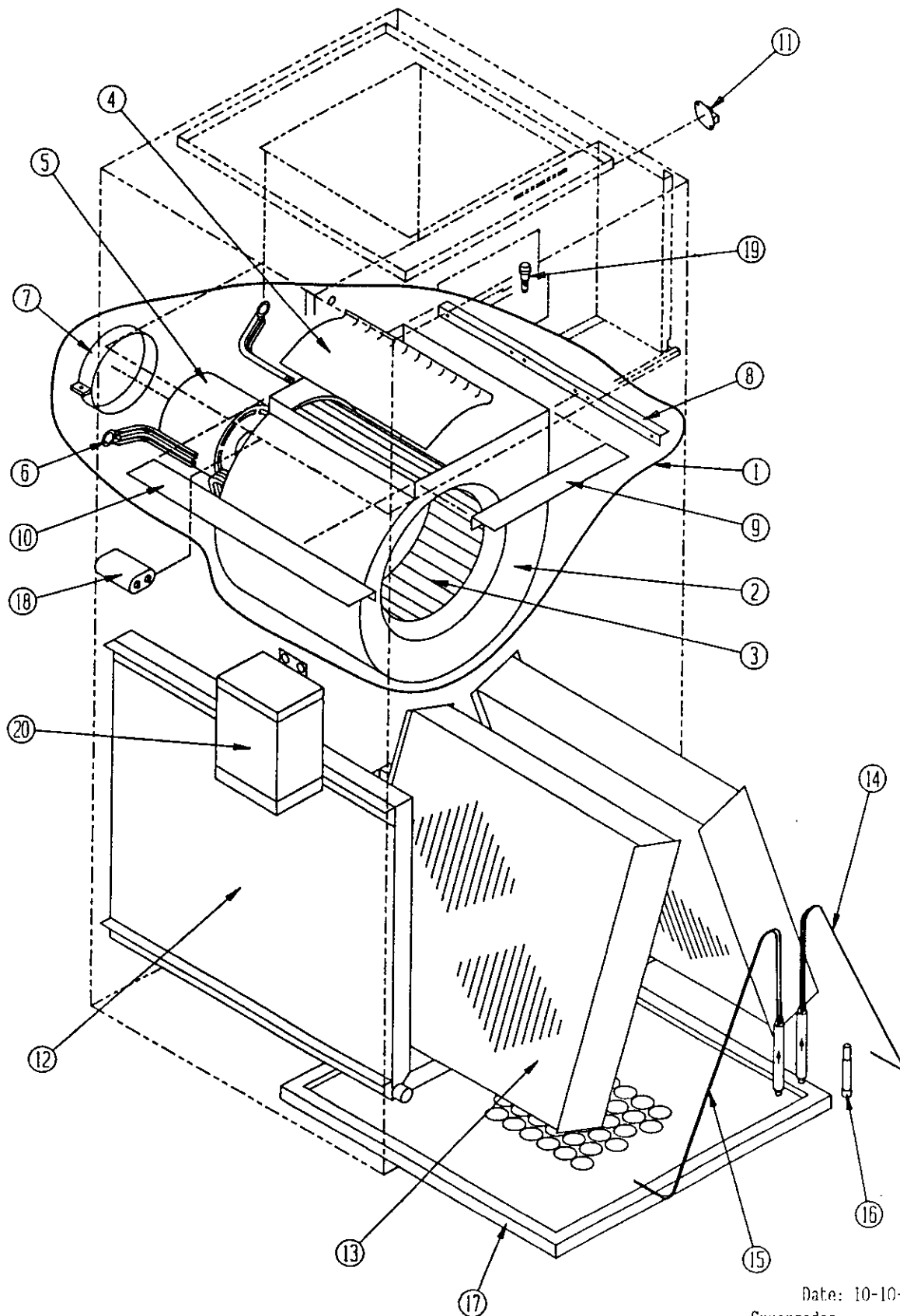
Date: 10-10-89
Supersedes:

CABINET COMPONENTS

Dwg. No.	Part No.	Description	U S A G E
1	127-024	Base	X
2	501-031	Right Side	X
3	501-032	Left Side	X
4	507-022	Top	X
5	527-025	Blower Base	X
6	508-011	Back	X
7	552-024	Service Door	X
8	552-023	Coil Door	X
9	552-022	Filter Door	X
10	Cntrl Pnl	See Control Panel Drawing and Parts List	X
11	133-024	Control Panel Cover	X
12	142-009	Limit Access Cover	X
13	140-119	Quick Connect Support	X
14	130-016	Filter Retainer	X

Date: 10-10-89
Supersedes:

FUNCTIONAL COMPONENTS



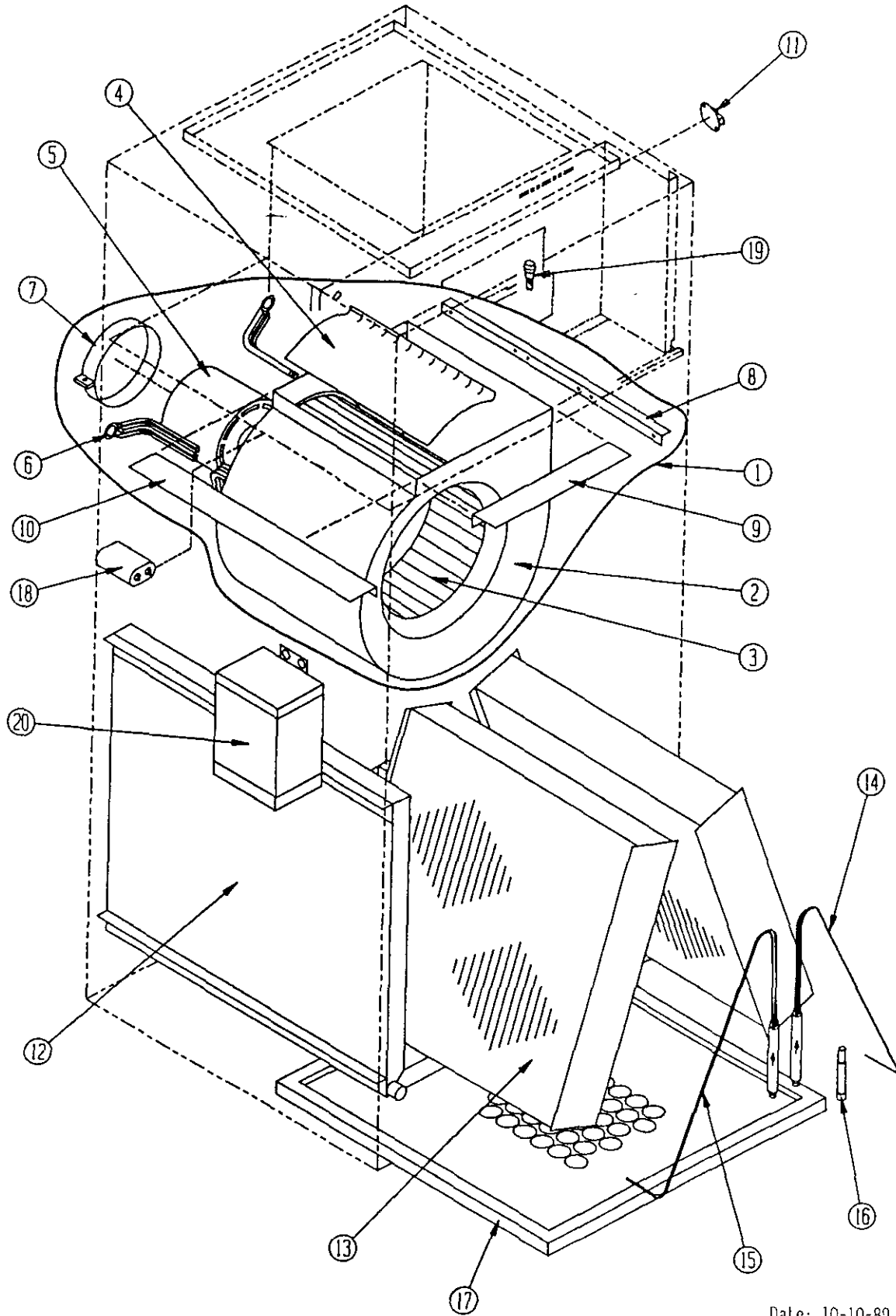
Date: 10-10-89
Supersedes:

FUNCTIONAL COMPONENTS

Dwg. No.	Part No.	Description	B	B	B	B	B	B	B	B	B	B	B	B	B	B	B	B
			C	C	C	C	C	C	C	C	C	C	C	C	C	C	C	C
			4	4	4	4	4	4	4	4	4	4	4	4	4	4	4	4
			8	8	8	8	8	8	8	8	8	8	8	8	8	8	8	8
			A	A	A	A	A	A	A	A	A	A	A	A	A	A	A	A
			A	A	A	A	A	B	B	B	C	C	D	D	D	F	F	F
			1	1	1	2	3	0	1	3	0	1	0	1	2	0	1	4
			0	5	0	0	9	5	0	9	8	0	0	0	0	9	4	
1	900-128	Complete Blower Assembly	x	x	x	x	x	x	x	x	x	x	x	x	x	x	x	x
2	151-082	Blower Housing	x	x	x	x	x	x	x	x	x	x	x	x	x	x	x	x
3	5152-059	Blower Wheel	x	x	x	x	x	x	x	x	x	x	x	x	x	x	x	x
4	144-129	Diffuser	x	x	x	x	x	x	x	x	x	x	x	x	x	x	x	x
5	8106-013	Motor	x	x	x	x	x	x	x	x	x	x	x	x	x	x	x	x
6	8200-034	Motor Mount Arm	3	3	3	3	3	3	3	3	3	3	3	3	3	3	3	3
7	8200-033	Motor Mount Band	x	x	x	x	x	x	x	x	x	x	x	x	x	x	x	x
8	104-784	Blower Angle	x	x	x	x	x	x	x	x	x	x	x	x	x	x	x	x
9	104-779	Blower Angle	x	x	x	x	x	x	x	x	x	x	x	x	x	x	x	x
10	104-785	Blower Angle	x	x	x	x	x	x	x	x	x	x	x	x	x	x	x	x
11	8402-033	Limit Switch		x	x	x	x	x	x	x	x		x	x	x	x	x	x
12	123-017	Drain Pan	x	x	x	x	x	x	x	x	x	x	x	x	x	x	x	x
13	5650-020	Evaporator Coil	x	x	x	x	x	x	x	x	x	x	x	x	x	x	x	x
14&15	800-0041	Capillary Assembly	x	x	x	x	x	x	x	x	x	x	x	x	x	x	x	x
16	5651-036	Check Valve	x	x	x	x	x	x	x	x	x	x	x	x	x	x	x	x
17	7004-015	Filter 24x24	x	x	x	x	x	x	x	x	x	x	x	x	x	x	x	x
18	8552-002	Capacitor 5/370	x	x	x	x	x	x	x	x	x	x	x	x	x	x	x	x
19	8614-036	Circuit Breaker	x	x	x	x	x	x	x	x	x	x	x	x	x	x	x	x
20	8407-003	Transformer 460V									x	x						

Date: 10-10-89
Supersedes:

FUNCTIONAL COMPONENTS



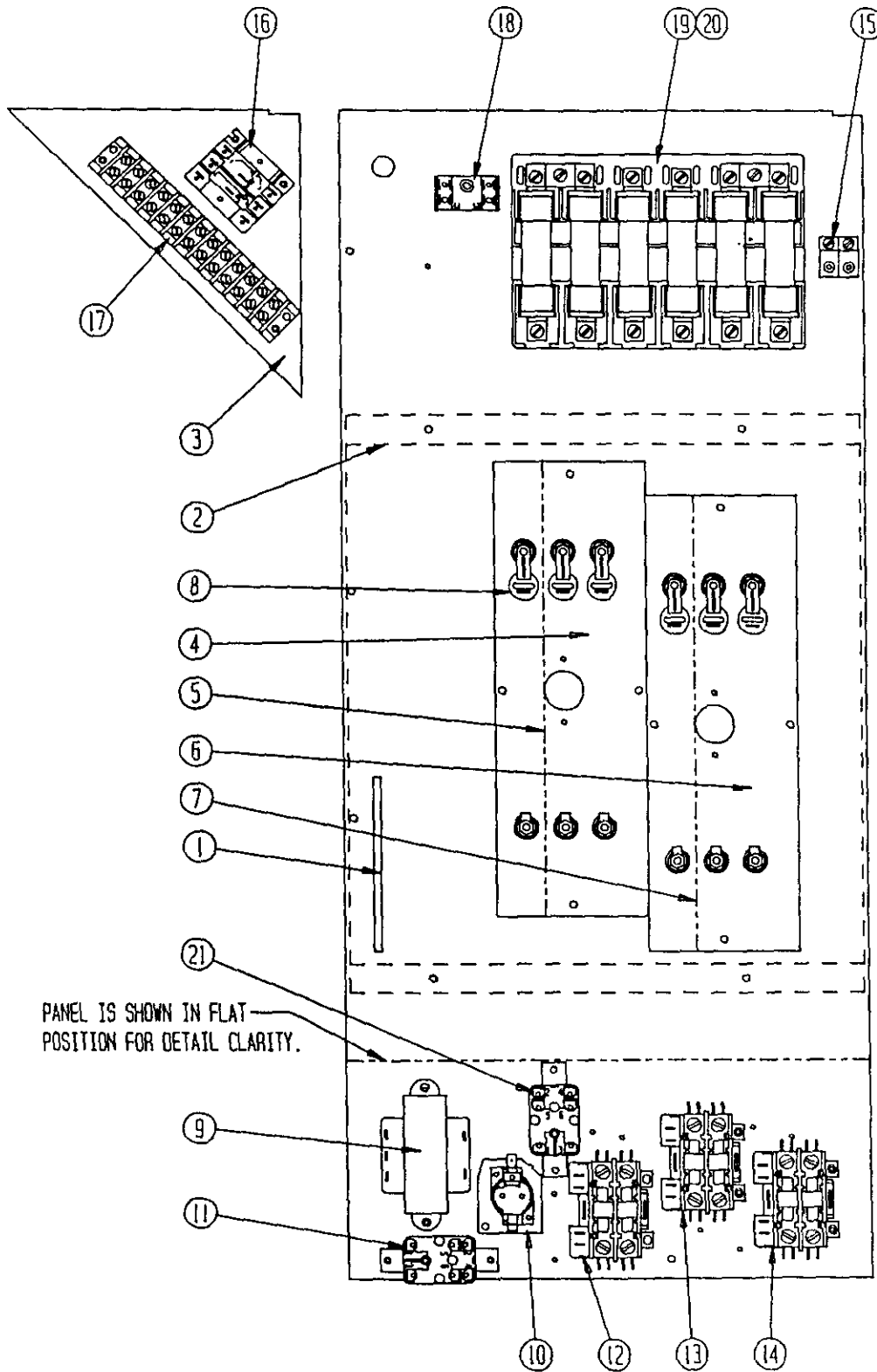
Date: 10-10-89
Supersedes:

FUNCTIONAL COMPONENTS

Dwg. No.	Part No.	Description	B	B	B	B	B	B	B	B	B	B	B	B	B	B	B	B
			C	C	C	C	C	C	C	C	C	C	C	C	C	C	C	C
			6	6	6	6	6	6	6	6	6	6	6	6	6	6	6	6
			0	0	0	0	0	0	0	0	0	0	0	0	0	0	0	0
			A	A	A	A	A	A	A	A	A	A	A	A	A	A	A	A
				A	A	A	A	B	B	B	C	C	D	D	D	F	F	F
				1	1	2	3	0	1	3	0	1	0	1	2	0	1	4
				0	5	0	0	9	5	0	9	8	0	0	0	9	4	
1	900-128	Complete Blower Assembly	X	X	X	X	X	X	X	X	X	X	X	X	X	X	X	X
2	151-082	Blower Housing	X	X	X	X	X	X	X	X	X	X	X	X	X	X	X	X
3	5152-059	Blower Wheel	X	X	X	X	X	X	X	X	X	X	X	X	X	X	X	X
4	144-129	Diffuser	X	X	X	X	X	X	X	X	X	X	X	X	X	X	X	X
5	8106-013	Motor	X	X	X	X	X	X	X	X	X	X	X	X	X	X	X	X
6	8200-034	Motor Mount Arm	3	3	3	3	3	3	3	3	3	3	3	3	3	3	3	3
7	8200-033	Motor Mount Band	X	X	X	X	X	X	X	X	X	X	X	X	X	X	X	X
8	104-784	Blower Angle	X	X	X	X	X	X	X	X	X	X	X	X	X	X	X	X
9	104-779	Blower Angle	X	X	X	X	X	X	X	X	X	X	X	X	X	X	X	X
10	104-785	Blower Angle	X	X	X	X	X	X	X	X	X	X	X	X	X	X	X	X
11	8402-033	Limit Switch		X	X	X	X	X	X	X	X	X		X	X	X	X	X
12	123-017	Drain Pan	X	X	X	X	X	X	X	X	X	X	X	X	X	X	X	X
13	5650-032	Evaporator Coil	X	X	X	X	X	X	X	X	X	X	X	X	X	X	X	X
14	800-0043	Capillary Assembly	X	X	X	X	X	X	X	X	X	X	X	X	X	X	X	X
15	800-0042	Capillary Assembly	X	X	X	X	X	X	X	X	X	X	X	X	X	X	X	X
16	5651-036	Check Valve	X	X	X	X	X	X	X	X	X	X	X	X	X	X	X	X
17	7004-015	Filter 24x24	X	X	X	X	X	X	X	X	X	X	X	X	X	X	X	X
18	8552-002	Capacitor 5/370	X	X	X	X	X	X	X	X	X	X	X	X	X	X	X	X
19	8614-036	Circuit Breaker	X	X	X	X	X	X	X	X	X	X	X	X	X	X	X	X
20	8407-003	Transformer 460V									X	X						

Date: 10-10-89
Supersedes:

CONTROL PANEL



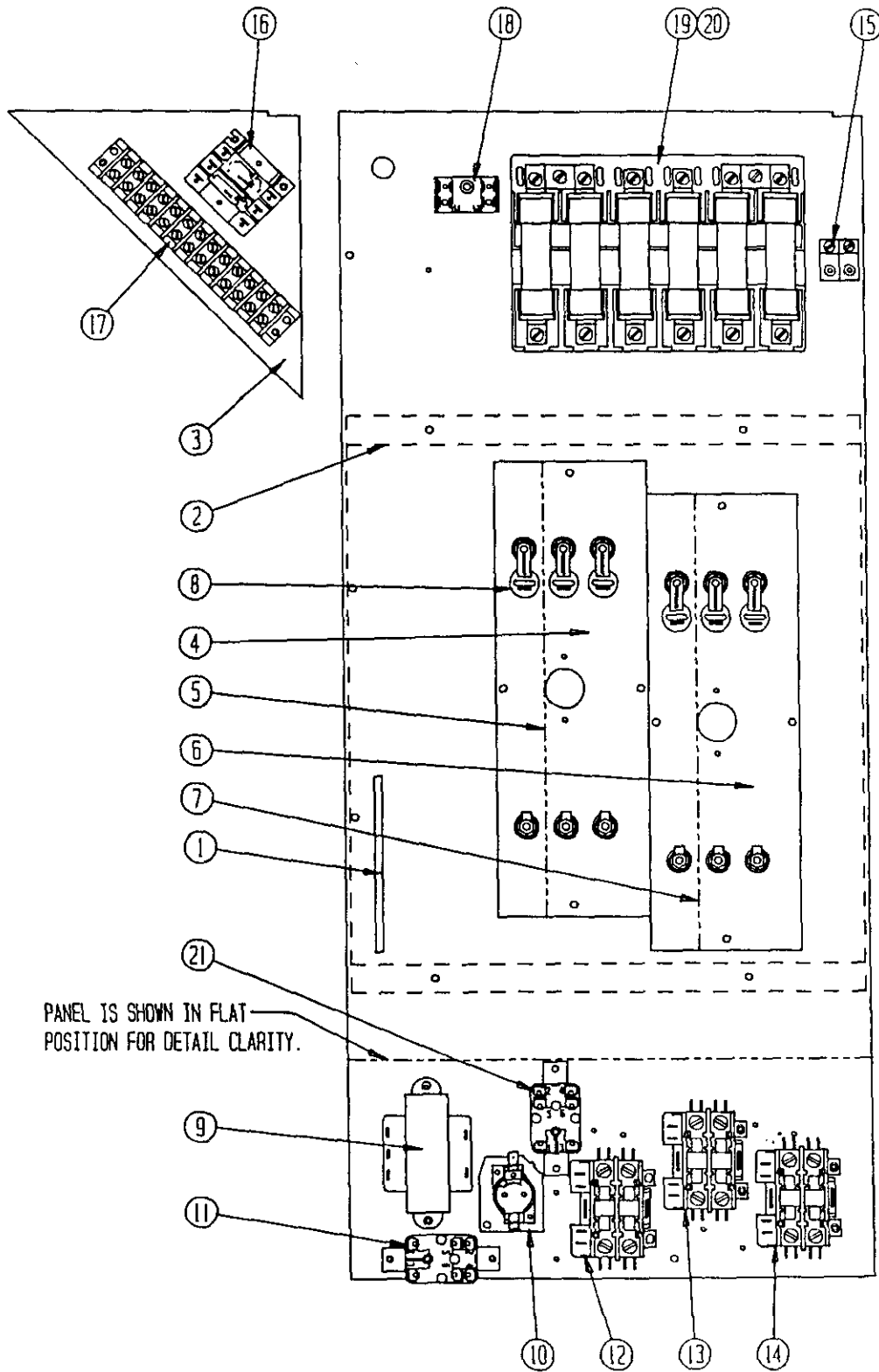
Date: 10-10-89
Supersedes:

CONTROL PANEL

Dwg. No.	Part No.	Description	B	B	B	B	B	B	B	B	B	B	B	B	B	B	B	B
			C	C	C	C	C	C	C	C	C	C	C	C	C	C	C	C
			4	4	4	4	4	4	4	4	4	4	4	4	4	4	4	4
			8	8	8	8	8	8	8	8	8	8	8	8	8	8	8	8
			A	A	A	A	A	A	A	A	A	A	A	A	A	A	A	A
				A	A	A	A	B	B	B	C	C	D	D	D	F	F	F
				1	1	2	3	0	1	3	0	1	0	1	2	0	1	4
			0	5	0	0	0	9	5	0	9	8	0	0	0	9	4	
1	116-052	Control Heater Plate	x	x	x	x	x	x	x	x	x	x	x	x	x	x	x	x
2	134-042	Heater Wrapper	x	x	x	x	x	x	x	x	x	x	x	x	x	x	x	x
3	116-053	Low Voltage Box	x	x	x	x	x	x	x	x	x	x	x	x	x	x	x	x
4	136-034	Heater Fill Plate	x	x	x			x	x		x		x	x		x		
4	8604-024	Heat Strip 10KW				x									x			
4	8604-025	Heat Strip 15KW					x			x								
4	8604-032	Heat Strip 9KW										x						x
5	136-033	Heater Fill Plate				x									x			
6	136-034	Heater Fill Plate	x										x					
6	8604-024	Heat Strip 10KW		x		x								x	x			
6	8604-025	Heat Strip 15KW			x		x		x	x								
6	8604-035	Heat Strip 9KW						x										
6	8604-033	Heat Strip 12KW														x		
6	8604-032	Heater Strip 9KW									x	x						x
7	136-033	Heater Fill Plate		x		x								x	x			
8	8402-091	Thermal Cutoff		2	3	4	6	3	3	6	3	6		2	4	3	6	
9	8407-036	Transformer	x	x	x	x	x	x	x	x	x	x	x	x	x	x	x	x
10	8201-045	Time Delay Relay	x	x	x	x	x											
11	8201-014	Blower Relay	x	x	x	x	x	x	x	x	x	x	x	x	x	x	x	x
12	8401-006	Contacto					x						x		x			
12	8401-010	Contacto								x								
12	8401-002	Contacto																x
13	8401-006	Contacto			x	x	x								x			
13	8401-002	Contacto																x
14	8401-006	Contacto		x	x	x	x					x			x			
14	8401-010	Contacto						x										
14	8401-001	Contacto							x	x								
14	8401-002	Contacto									x						x	
15	8611-006	Ground Terminal	1	1	1	1	2	1	1	1	1	1	1	1	1	1	1	1
16	8201-013	Emergency Heat Relay			x	x	x			x		x			x		x	
17	8607-010	Terminal Strip	x	x	x	x	x	x	x	x	x	x	x	x	x	x	x	x
18	8607-017	Terminal Block									x	x						
19	8607-013	Terminal Block	x	x									x	x			2	2
19	8614-017	Fuse Block			x													
19	8614-018	Fuse Block				x									x			
19	8614-019	Fuse Block					x											
19	8607-014	Terminal Block						x	x		x	x						
19	8614-020	Fuse Block								x								
20	8607-015	Phenolic Insulator									x	x						
20	134-051	Terminal Block Barrier															2	2
21	8201-014	Blower Relay										x	x					

Date: 03-01-95
Supersedes: 10-10-89

CONTROL PANEL



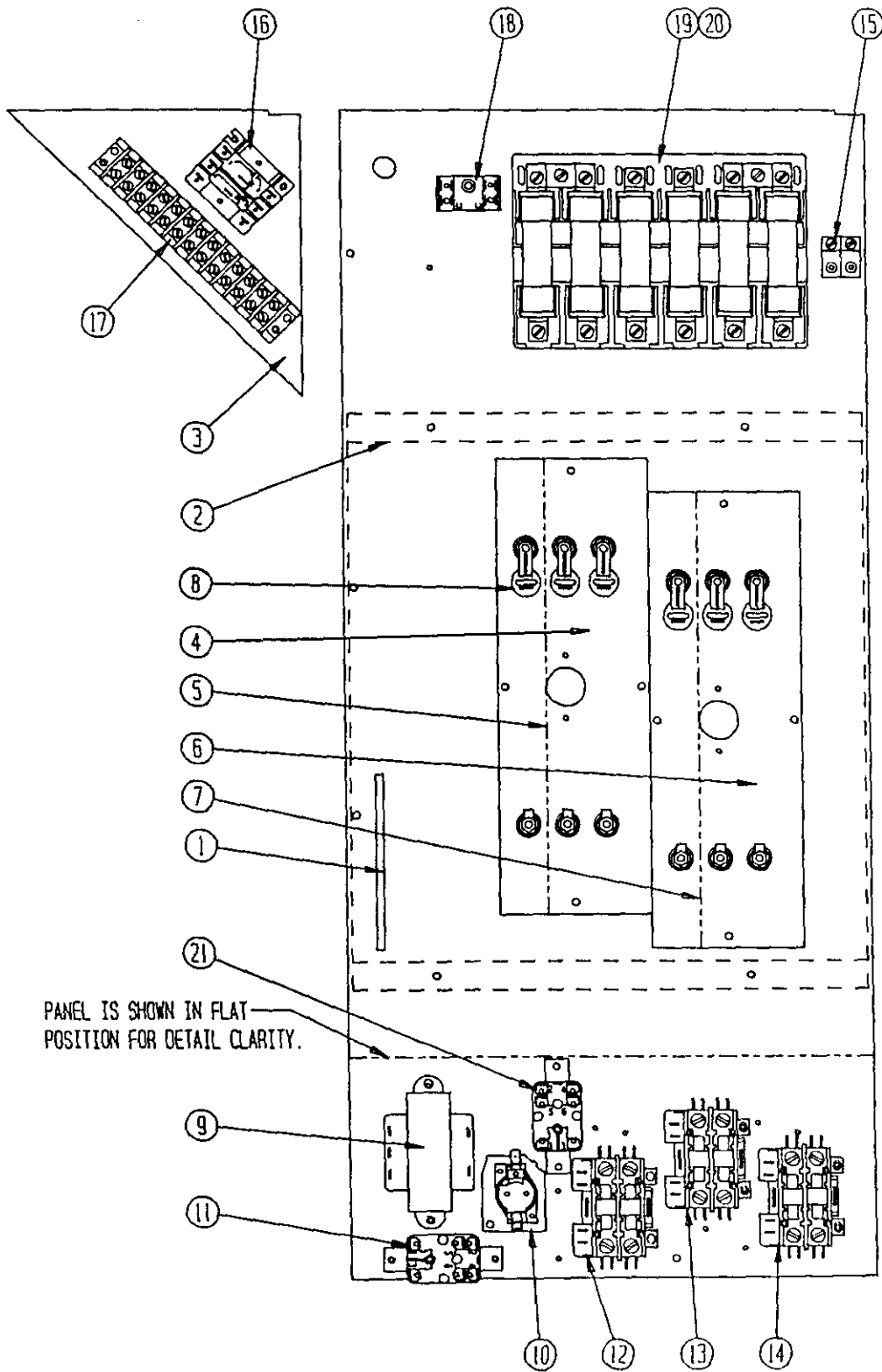
Date: 10-10-89
Supersedes:

CONTROL PANEL
(CONTINUED)

Dwg. No.	Part No.	Description	B	B	B	B	B	B	B	B	B	B	B	B	B	B	B	B
			C	C	C	C	C	C	C	C	C	C	C	C	C	C	C	C
			4	4	4	4	4	4	4	4	4	4	4	4	4	4	4	4
			8	8	8	8	8	8	8	8	8	8	8	8	8	8	8	8
			A	A	A	A	A	A	A	A	A	A	A	A	A	A	A	A
			A	A	A	A	A	B	B	B	C	C	D	D	D	E	E	E
			1	1	1	2	3	0	1	3	0	1	0	1	2	0	1	4
			0	5	0	0	0	9	5	0	9	8	0	0	0	9	4	
	4038-112	Wiring Diagram	x															
	4038-121	Wiring Diagram		x														
	4038-131	Wiring Diagram			x													
	4038-143	Wiring Diagram				x												
	4038-163	Wiring Diagram					x											
	4038-220	Wiring Diagram						x	x									
	4038-234	Wiring Diagram								x								
	4038-320	Wiring Diagram									x							
	4038-340	Wiring Diagram										x						
	4038-410	Wiring Diagram											x					
	4038-430	Wiring Diagram												x				
	4038-450	Wiring Diagram													x			
	4038-620	Wiring Diagram														x		
	4038-630	Wiring Diagram																x

Date: 10-10-89
Supersedes:

CONTROL PANEL



PANEL IS SHOWN IN FLAT POSITION FOR DETAIL CLARITY.

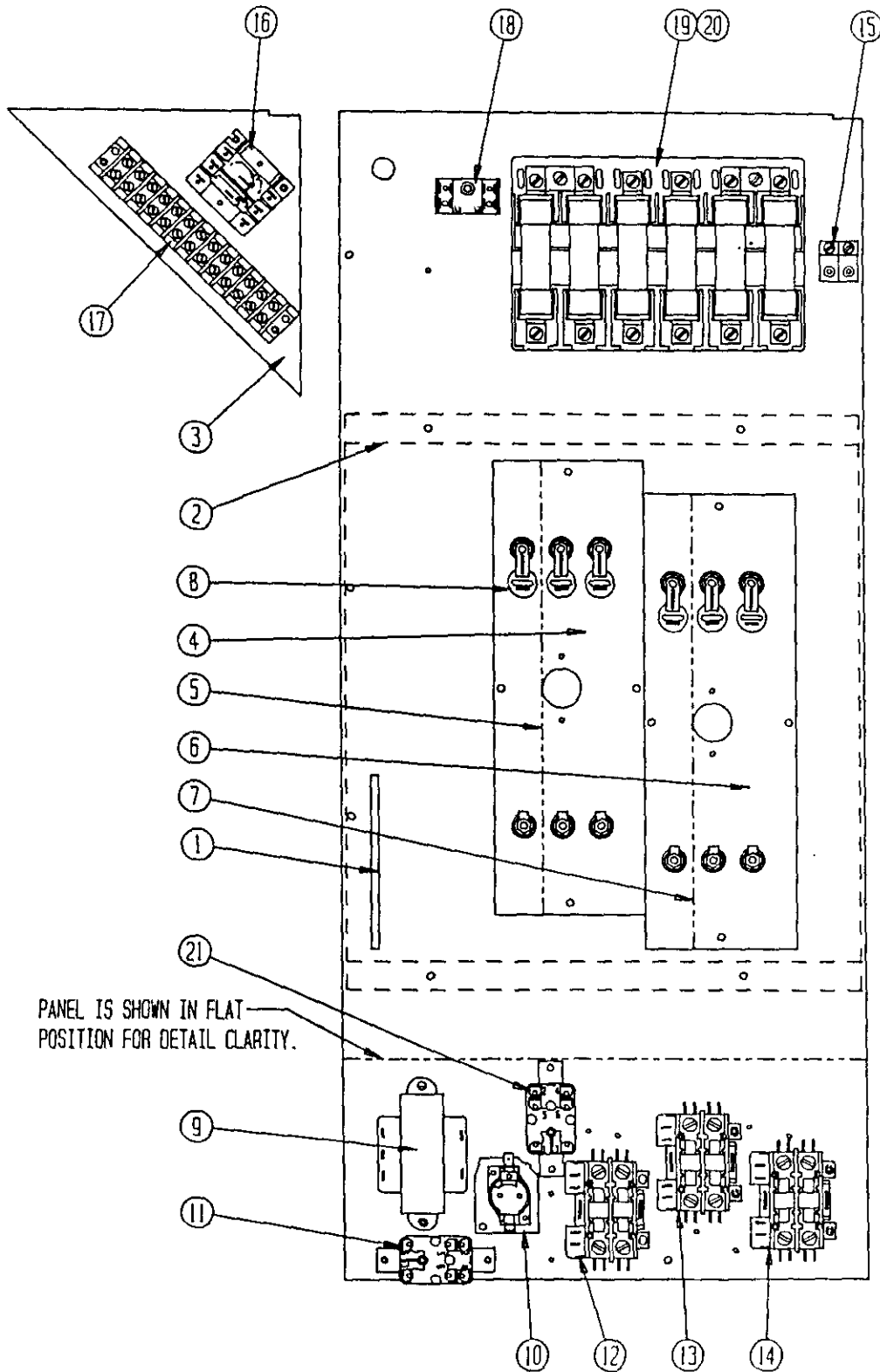
Date: 10-10-89
Supersedes:

CONTROL PANEL

Dwg. No.	Part No.	Description	B C 6 0 A	B C 6 0 A	B C 6 0 A	B C 6 0 A	B C 6 0 A	B C 6 0 A	B C 6 0 A	B C 6 0 A	B C 6 0 A	B C 6 0 A	B C 6 0 A	B C 6 0 A	B C 6 0 A	B C 6 0 A	B C 6 0 A	
1	116-052	Control Heater Plate	X	X	X	X	X	X	X	X	X	X	X	X	X	X	X	X
2	134-042	Heater Wrapper	X	X	X	X	X	X	X	X	X	X	X	X	X	X	X	X
3	116-053	Low Voltage Box	X	X	X	X	X	X	X	X	X	X	X	X	X	X	X	X
4	136-034	Heater Fill Plate	X	X	X				X	X								
4	8604-024	Heat Strip 10KW				X										X		
4	8604-025	Heat Strip 15KW					X			X								
4	8604-032	Heat Strip 9KW									X							
5	136-033	Heater Fill Plate				X										X		
6	136-034	Heater Fill Plate	X										X					
6	8604-024	Heat Strip 10KW		X		X								X	X			
6	8604-025	Heat Strip 15KW			X		X		X	X								
6	8604-035	Heat Strip 9KW						X										
6	8604-033	Heat Strip 12KW															X	
6	8604-032	Heat Strip 9KW									X	X						X
7	136-033	Heater Fill Plate		X		X								X	X			
8	8402-091	Thermal Cutoff		2	3	4	6	3	3	6	3	6		2	4	3	6	
9	8407-036	Transformer	X	X	X	X	X	X	X	X	X	X	X	X	X	X	X	X
10	8201-045	Time Delay Relay	X	X	X	X	X											
11	8201-014	Blower Relay	X	X	X	X	X	X	X	X	X	X	X	X	X	X	X	X
12	8401-006	Contacto				X						X		X	X			
12	8401-010	Contacto								X								
12	8401-002	Contacto					X											X
13	8401-006	Contacto			X	X									X			
13	8401-002	Contacto					X											X
14	8401-006	Contacto		X	X	X	X					X			X			
14	8401-010	Contacto						X										
14	8401-001	Contacto							X	X								
14	8401-002	Contacto									X						X	
15	8611-006	Ground Terminal	1	1	1	1	2	1	1	1	1	1	1	1	1	1	1	1
16	8201-013	Emergency Heat Relay			X	X	X			X		X			X			X
17	8607-010	Terminal Strip	X	X	X	X	X	X	X	X	X	X	X	X	X	X	X	X
18	8607-017	Terminal Block									X	X						
19	8607-013	Terminal Block	X	X									X	X			2	2
19	8614-017	Fuse Block			X													
19	8614-018	Fuse Block				X									X			
19	8614-019	Fuse Block					X											
19	8607-014	Terminal Block						X	X		X	X						
19	8614-020	Fuse Block								X								
20	8607-015	Phenolic Insulator									X	X						
20	134-051	Terminal Block Barrier															2	2
21	8201-014	Blower Relay									X	X						

Date: 03-01-95
Supersedes: 10-10-89

CONTROL PANEL



PANEL IS SHOWN IN FLAT POSITION FOR DETAIL CLARITY.

Date: 10-10-89
Supersedes:

CONTROL PANEL
(CONTINUED)

Dwg. No.	Part No.	Description	B	B	B	B	B	B	B	B	B	B	B	B	B	B	B	B
			C	C	C	C	C	C	C	C	C	C	C	C	C	C	C	C
			6	6	6	6	6	6	6	6	6	6	6	6	6	6	6	6
			0	0	0	0	0	0	0	0	0	0	0	0	0	0	0	0
			A	A	A	A	A	A	A	A	A	A	A	A	A	A	A	A
				A	A	A	A	B	B	B	C	C	D	D	D	F	F	F
				1	1	2	3	0	1	3	0	1	0	1	2	0	1	4
				0	5	0	0	9	5	0	9	8	0	0	0	9	4	
	4038-112	Wiring Diagram	x															
	4038-121	Wiring Diagram		x														
	4038-131	Wiring Diagram			x													
	4038-143	Wiring Diagram				x												
	4038-163	Wiring Diagram					x											
	4038-220	Wiring Diagram						x	x									
	4038-234	Wiring Diagram								x								
	4038-320	Wiring Diagram									x							
	4038-340	Wiring Diagram										x						
	4038-410	Wiring Diagram											x					
	4038-430	Wiring Diagram												x				
	4038-450	Wiring Diagram													x			
	4038-620	Wiring Diagram														x		
	4038-630	Wiring Diagram															x	

Date: 10-10-89
Supersedes:

