

REPLACEMENT PARTS MANUAL

BLOWER COIL UNIT MODEL BC48A, BC60A

Manual 2110-103

Revision --

Date 10-10-89

Supersedes

* GENERAL NOTES *

*Revised and/or additional pages may be issued from time to time.
*A complete and current manual consists of pages dated as shown in the following index.

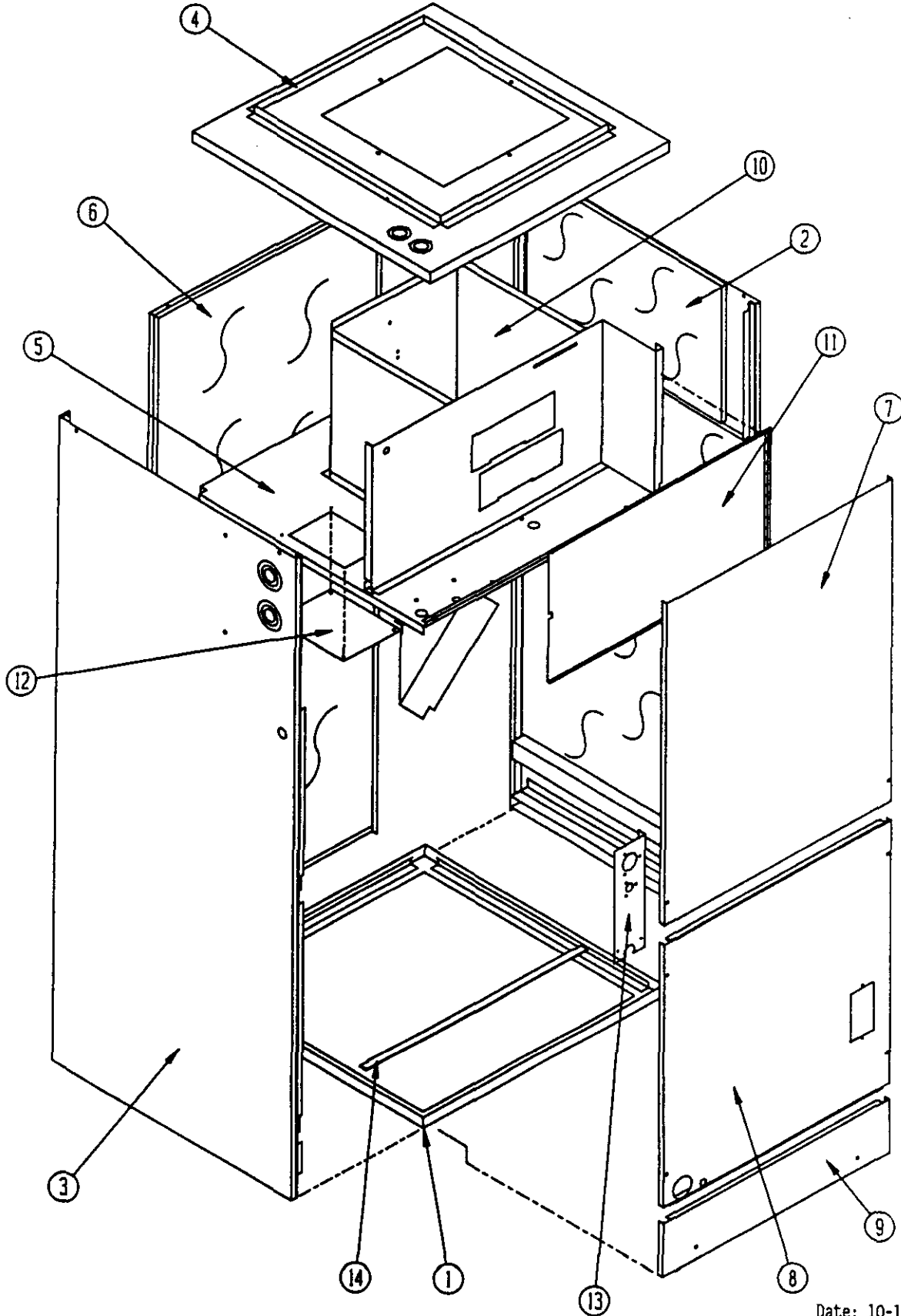
** INDEX **

<u>Page Description</u>	<u>Page</u>	<u>Date</u>	<u>Supersedes</u>
Cabinet Components--Exploded View	1	10-10-89	
" " --Usage List	2	10-10-89	
Functional Components--Exploded View	3	10-10-89	
" " --Usage List	4	10-10-89	
Functional Components--Exploded View	5	10-10-89	
" " --Usage List	6	10-10-89	
Control Panel--Layout	7	10-10-89	
" " --Usage List	8	10-10-89	
Control Panel--Layout	9	10-10-89	
" " --Usage List	10	10-10-89	
Control Panel--Layout	11	10-10-89	
" " --Usage List	12	10-10-89	
Control Panel--Layout	13	10-10-89	
" " --Usage List	14	10-10-89	

*** IMPORTANT ***

Contact the installing and/or local Bard distributor for all parts requirements. Make sure you have the complete model and serial number available from the unit rating plate.

CABINET COMPONENTS



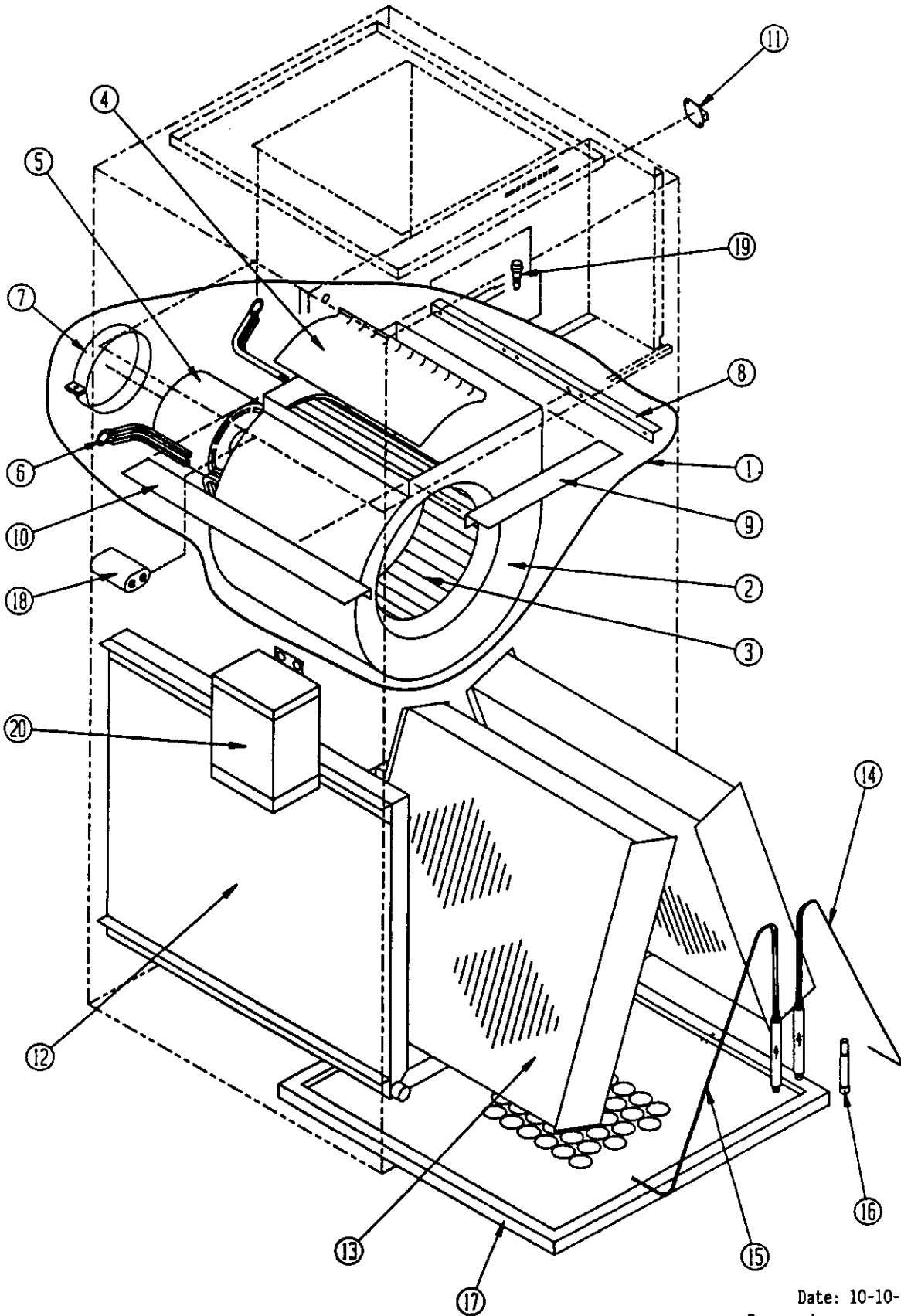
Date: 10-10-89
Supersedes:

CABINET COMPONENTS

Dwg. No.	Part No.	Description	U S A G E
1	127-024	Base	X
2	501-031	Right Side	X
3	501-032	Left Side	X
4	507-022	Top	X
5	527-025	Blower Base	X
6	508-011	Back	X
7	552-024	Service Door	X
8	552-023	Coil Door	X
9	552-022	Filter Door	X
10	Cntrl Pnl	See Control Panel Drawing and Parts List	X
11	133-024	Control Panel Cover	X
12	142-009	Limit Access Cover	X
13	140-119	Quick Connect Support	X
14	130-016	Filter Retainer	X

Date: 10-10-89
Supersedes:

FUNCTIONAL COMPONENTS



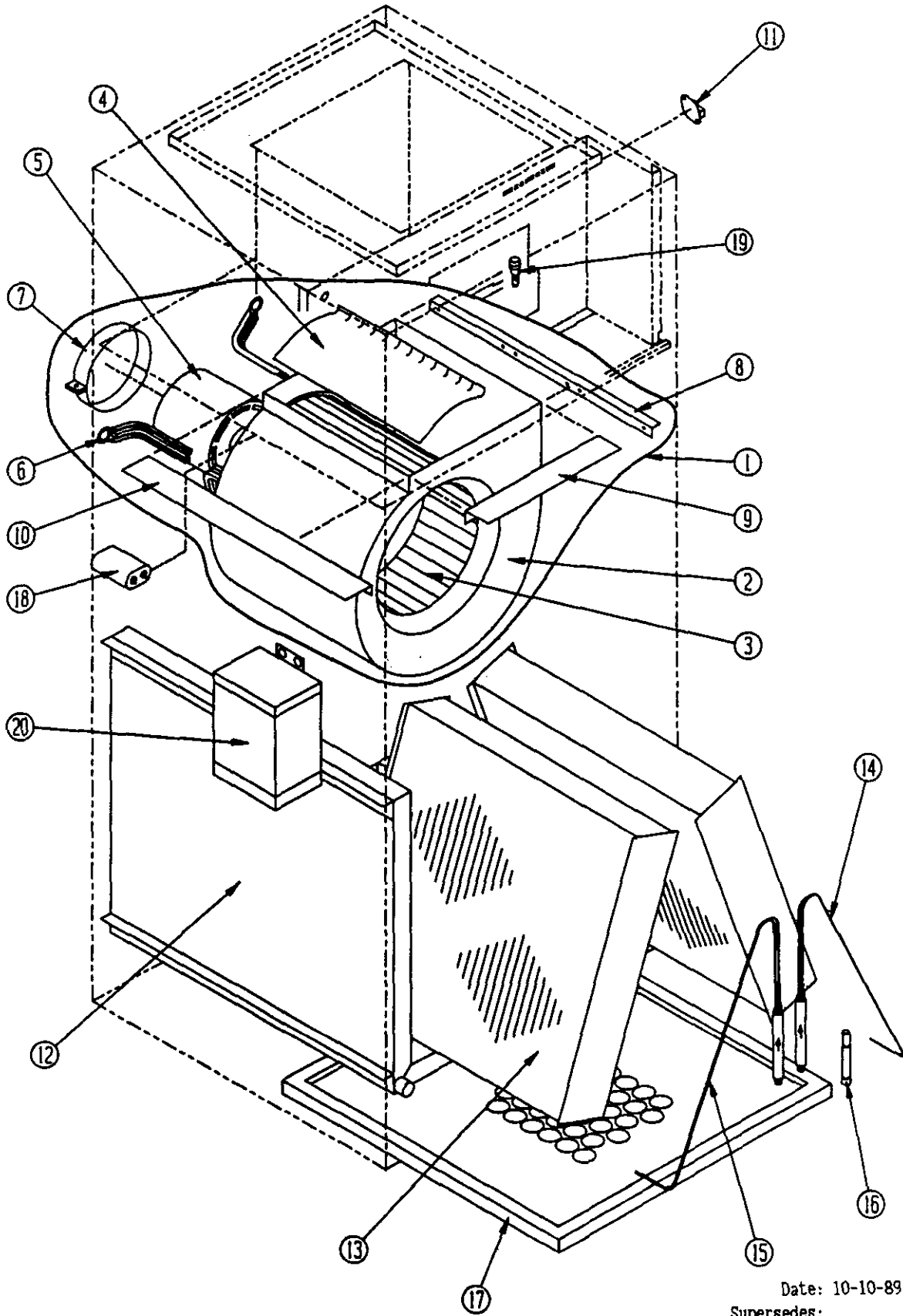
Date: 10-10-89
Supersedes:

FUNCTIONAL COMPONENTS

Dwg. No.	Part No.	Description	B	B	B	B	B	B	B	B	B	B	B	B	B	B	B	B
			C	C	C	C	C	C	C	C	C	C	C	C	C	C	C	C
			4	4	4	4	4	4	4	4	4	4	4	4	4	4	4	4
			8	8	8	8	8	8	8	8	8	8	8	8	8	8	8	8
			A	A	A	A	A	A	A	A	A	A	A	A	A	A	A	A
				A	A	A	A	A	B	B	B	C	C	D	D	D	F	F
				1	1	2	3	0	1	3	0	1	0	0	1	2	0	1
				0	5	0	0	9	5	0	9	8	0	0	0	9	4	
1	900-128	Complete Blower Assembly	X	X	X	X	X	X	X	X	X	X	X	X	X	X	X	X
2	151-082	Blower Housing	X	X	X	X	X	X	X	X	X	X	X	X	X	X	X	X
3	5152-059	Blower Wheel	X	X	X	X	X	X	X	X	X	X	X	X	X	X	X	X
4	144-129	Diffuser	X	X	X	X	X	X	X	X	X	X	X	X	X	X	X	X
5	8106-013	Motor	X	X	X	X	X	X	X	X	X	X	X	X	X	X	X	X
6	8200-034	Motor Mount Arm	3	3	3	3	3	3	3	3	3	3	3	3	3	3	3	3
7	8200-033	Motor Mount Band	X	X	X	X	X	X	X	X	X	X	X	X	X	X	X	X
8	104-784	Blower Anqle	X	X	X	X	X	X	X	X	X	X	X	X	X	X	X	X
9	104-779	Blower Anqle	X	X	X	X	X	X	X	X	X	X	X	X	X	X	X	X
10	104-785	Blower Anqle	X	X	X	X	X	X	X	X	X	X	X	X	X	X	X	X
11	8402-033	Limit Switch		X	X	X	X	X	X	X	X			X	X	X	X	X
12	123-017	Drain Pan	X	X	X	X	X	X	X	X	X	X	X	X	X	X	X	X
13	5650-020	Evaporator Coil	X	X	X	X	X	X	X	X	X	X	X	X	X	X	X	X
14&15	800-0041	Capillary Assembly	X	X	X	X	X	X	X	X	X	X	X	X	X	X	X	X
16	5651-036	Check Valve	X	X	X	X	X	X	X	X	X	X	X	X	X	X	X	X
17	7004-015	Filter 24x24	X	X	X	X	X	X	X	X	X	X	X	X	X	X	X	X
18	8552-002	Capacitor 5/370	X	X	X	X	X	X	X	X	X	X	X	X	X	X	X	X
19	8614-036	Circuit Breaker	X	X	X	X	X	X	X	X	X	X	X	X	X	X	X	X
20	8407-003	Transformer 460V									X	X						

Date: 10-10-89
Supersedes:

FUNCTIONAL COMPONENTS



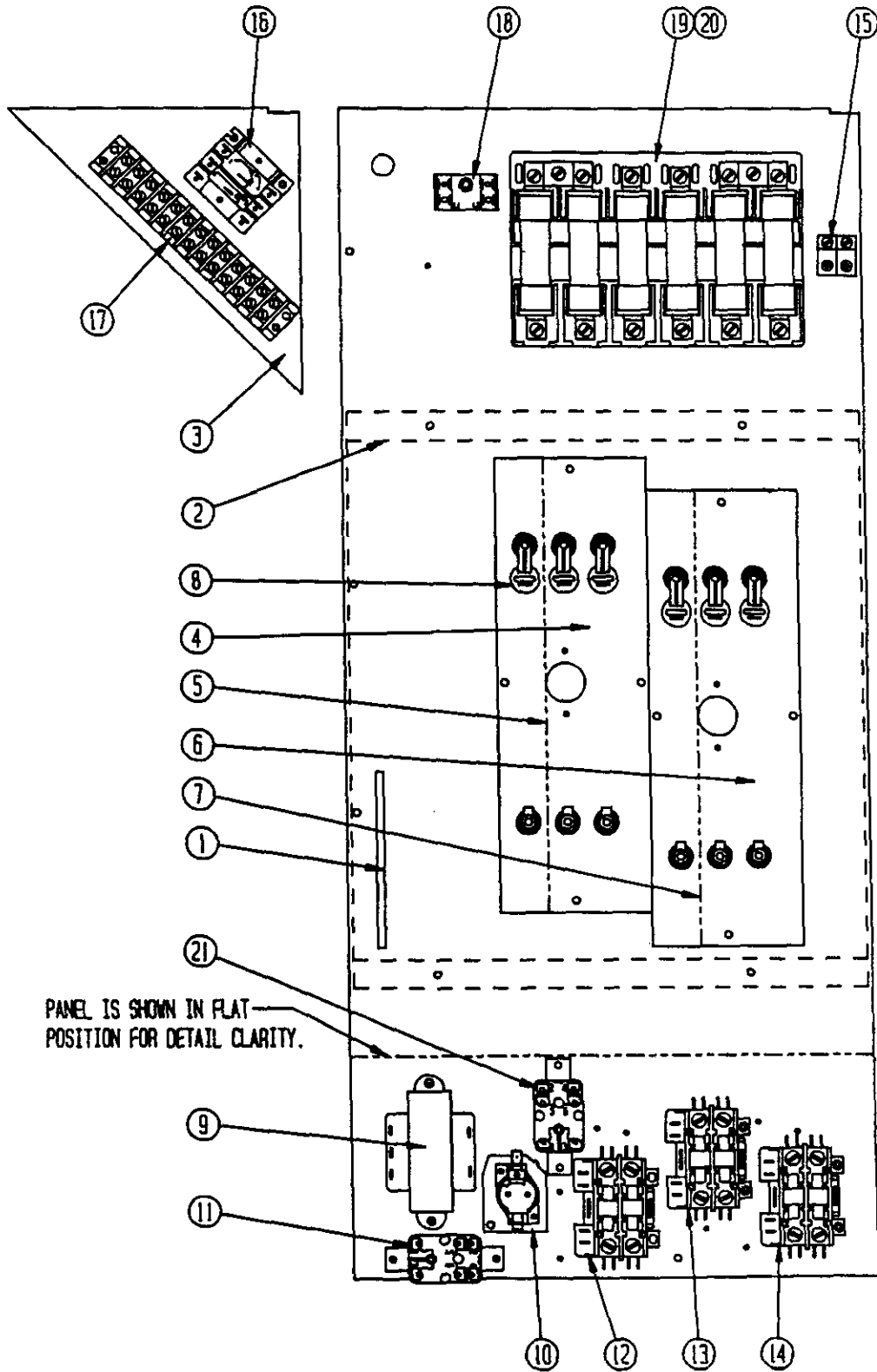
Date: 10-10-89
Supersedes:

FUNCTIONAL COMPONENTS

Dwg. No.	Part No.	Description	B	B	B	B	B	B	B	B	B	B	B	B	B	B	B	B
			C	C	C	C	C	C	C	C	C	C	C	C	C	C	C	C
			6	6	6	6	6	6	6	6	6	6	6	6	6	6	6	6
			0	0	0	0	0	0	0	0	0	0	0	0	0	0	0	0
			A	A	A	A	A	A	A	A	A	A	A	A	A	A	A	A
				A	A	A	A	B	B	B	C	C	D	D	D	E	F	F
				1	1	2	3	0	1	3	0	1	0	1	2	0	1	4
				0	5	0	0	9	5	0	9	8	0	0	0	9	4	
1	900-128	Complete Blower Assembly	X	X	X	X	X	X	X	X	X	X	X	X	X	X	X	X
2	151-082	Blower Housing	X	X	X	X	X	X	X	X	X	X	X	X	X	X	X	X
3	5152-059	Blower Wheel	X	X	X	X	X	X	X	X	X	X	X	X	X	X	X	X
4	144-129	Diffuser	X	X	X	X	X	X	X	X	X	X	X	X	X	X	X	X
5	8106-013	Motor	X	X	X	X	X	X	X	X	X	X	X	X	X	X	X	X
6	8200-034	Motor Mount Arm	3	3	3	3	3	3	3	3	3	3	3	3	3	3	3	3
7	8200-033	Motor Mount Band	X	X	X	X	X	X	X	X	X	X	X	X	X	X	X	X
8	104-784	Blower Angle	X	X	X	X	X	X	X	X	X	X	X	X	X	X	X	X
9	104-779	Blower Angle	X	X	X	X	X	X	X	X	X	X	X	X	X	X	X	X
10	104-785	Blower Angle	X	X	X	X	X	X	X	X	X	X	X	X	X	X	X	X
11	8402-033	Limit Switch		X	X	X	X	X	X	X	X	X		X	X	X	X	X
12	123-017	Drain Pan	X	X	X	X	X	X	X	X	X	X	X	X	X	X	X	X
13	5650-032	Evaporator Coil	X	X	X	X	X	X	X	X	X	X	X	X	X	X	X	X
14	800-0043	Capillary Assembly	X	X	X	X	X	X	X	X	X	X	X	X	X	X	X	X
15	800-0042	Capillary Assembly	X	X	X	X	X	X	X	X	X	X	X	X	X	X	X	X
16	5651-036	Check Valve	X	X	X	X	X	X	X	X	X	X	X	X	X	X	X	X
17	7004-015	Filter 24x24	X	X	X	X	X	X	X	X	X	X	X	X	X	X	X	X
18	8552-002	Capacitor 5/370	X	X	X	X	X	X	X	X	X	X	X	X	X	X	X	X
19	8614-036	Circuit Breaker	X	X	X	X	X	X	X	X	X	X	X	X	X	X	X	X
20	8407-003	Transformer 460V									X	X						

Date: 10-10-89
Supersedes:

CONTROL PANEL



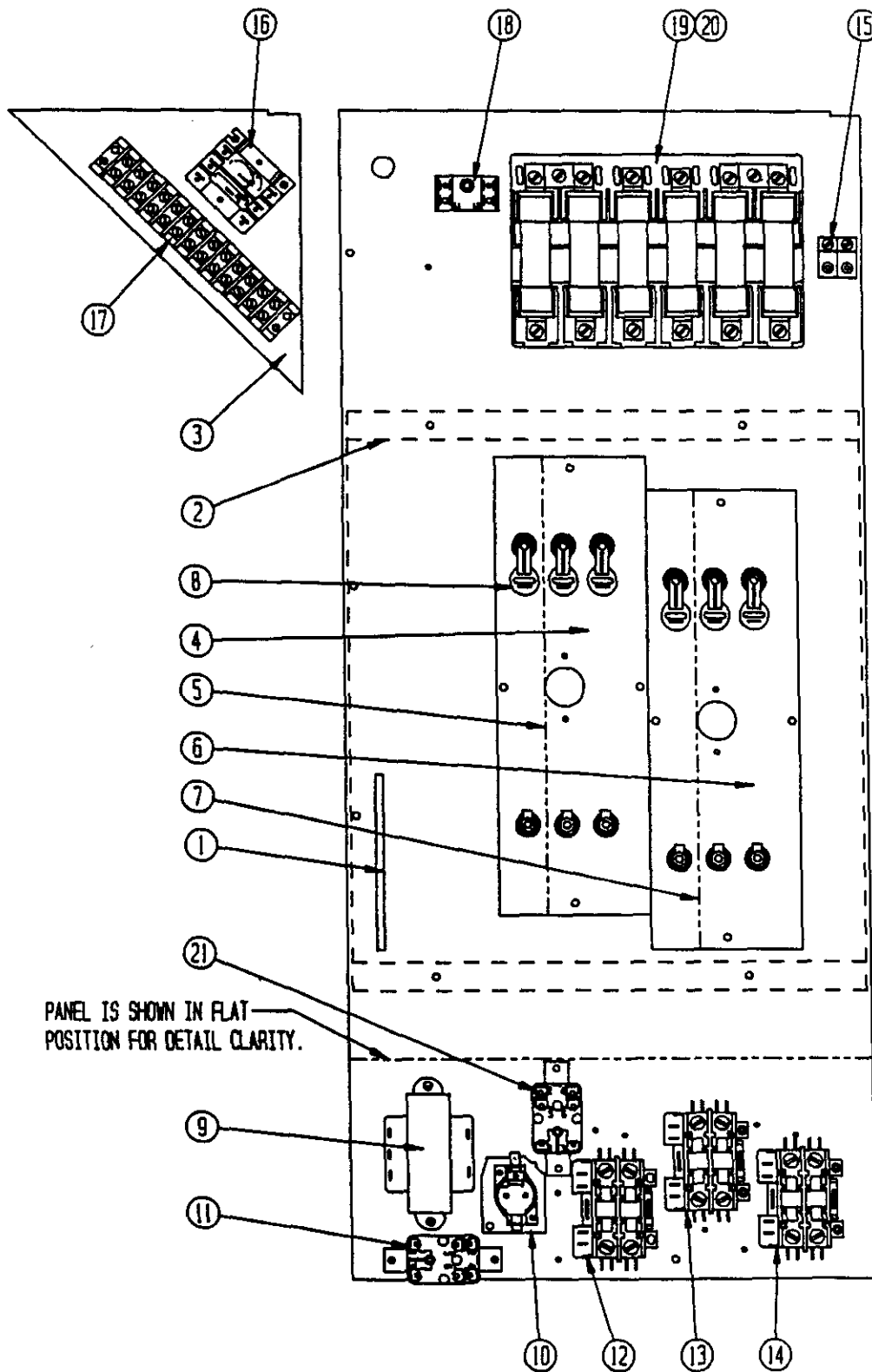
Date: 10-10-89
Supersedes:

CONTROL PANEL

Dwg. No.	Part No.	Description	B	B	B	B	B	B	B	B	B	B	B	B	B	B	B	B
			C	C	C	C	C	C	C	C	C	C	C	C	C	C	C	C
			4	4	4	4	4	4	4	4	4	4	4	4	4	4	4	4
			8	8	8	8	8	8	8	8	8	8	8	8	8	8	8	8
			A	A	A	A	A	A	A	A	A	A	A	A	A	A	A	A
				1	1	2	3	0	1	3	0	1	0	1	2	0	1	4
				0	5	0	0	9	5	0	9	8	0	0	0	9	4	
1	116-052	Control Heater Plate	x	x	x	x	x	x	x	x	x	x	x	x	x	x	x	x
2	134-042	Heater Wrapper	x	x	x	x	x	x	x	x	x	x	x	x	x	x	x	x
3	116-053	Low Voltage Box	x	x	x	x	x	x	x	x	x	x	x	x	x	x	x	x
4	136-034	Heater Fill Plate	x	x	x			x	x		x		x	x		x		
4	8604-024	Heat Strip 10KW				x									x			
4	8604-025	Heat Strip 15KW					x			x								
4	8604-032	Heat Strip 9KW										x						x
5	136-033	Heater Fill Plate				x									x			
6	136-034	Heater Fill Plate	x										x					
6	8604-024	Heat Strip 10KW		x		x								x	x			
6	8604-025	Heat Strip 15KW			x		x		x	x								
6	8604-035	Heat Strip 9KW						x										
6	8604-033	Heat Strip 12KW														x		
6	8604-032	Heater Strip 9KW									x	x						x
7	136-033	Heater Fill Plate		x		x									x	x		
8	8402-025	Thermal Cutoff		2	3	4	6	3	3	6	3	6		2	4	3	6	
9	8407-036	Transformer	x	x	x	x	x	x	x	x	x	x	x	x	x	x	x	x
10	8201-045	Time Delay Relay	x	x	x	x	x											
11	8201-014	Blower Relay	x	x	x	x	x	x	x	x	x	x	x	x	x	x	x	x
12	8401-006	Contactora					x					x		x				
12	8401-010	Contactora								x								
12	8401-002	Contactora																x
13	8401-006	Contactora			x	x	x								x			
13	8401-002	Contactora																x
14	8401-006	Contactora		x	x	x	x					x			x			
14	8401-010	Contactora						x										
14	8401-001	Contactora							x	x								
14	8401-002	Contactora									x						x	
15	8611-006	Ground Terminal	1	1	1	1	2	1	1	1	1	1	1	1	1	1	1	1
16	8201-013	Emergency Heat Relay			x	x	x			x		x			x		x	
17	8607-010	Terminal Strip	x	x	x	x	x	x	x	x	x	x	x	x	x	x	x	x
18	8607-017	Terminal Block									x	x						
19	8607-013	Terminal Block	x	x									x	x			2	2
19	8614-017	Fuse Block			x													
19	8614-018	Fuse Block				x									x			
19	8614-019	Fuse Block					x											
19	8607-014	Terminal Block						x	x		x	x						
19	8614-020	Fuse Block								x								
20	8607-015	Phenolic Insulator									x	x						
20	134-051	Terminal Block Barrier															2	2
21	8201-014	Blower Relay									x	x						

Date: 10-10-89
Supersedes:

CONTROL PANEL



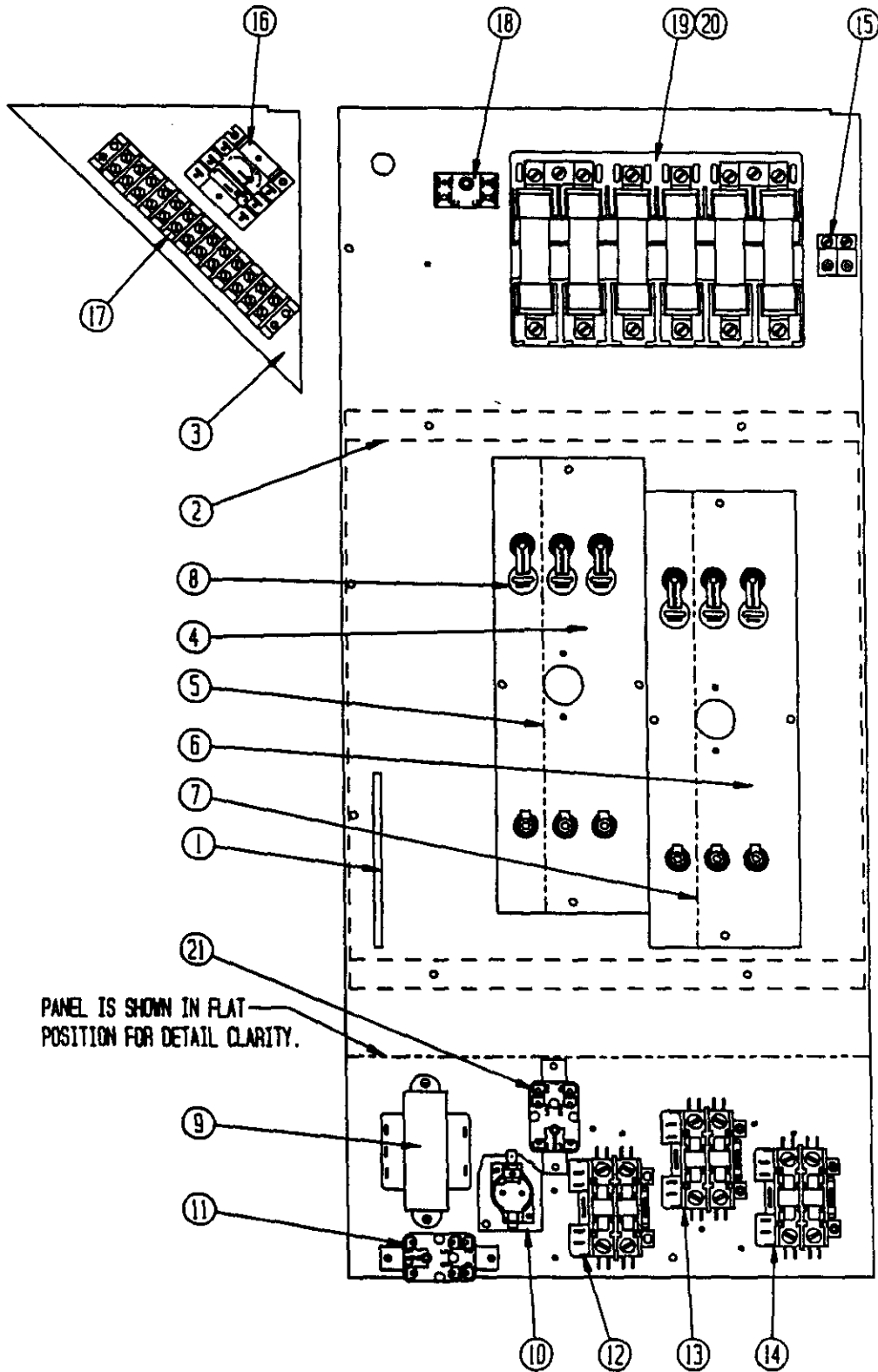
Date: 10-10-89
Supersedes:

CONTROL PANEL

Dwg. No.	Part No.	Description	B	B	B	B	B	B	B	B	B	B	B	B	B	B	B	B
			C	C	C	C	C	C	C	C	C	C	C	C	C	C	C	C
			4	4	4	4	4	4	4	4	4	4	4	4	4	4	4	4
			8	8	8	8	8	8	8	8	8	8	8	8	8	8	8	8
			A	A	A	A	A	A	A	A	A	A	A	A	A	A	A	A
			A	A	A	A	A	B	B	B	C	C	D	D	D	F	F	F
			1	1	2	3	0	1	3	0	1	0	1	2	0	9	1	4
			0	5	0	0	9	5	0	9	8	0	0	0	9	4		
	4038-112	Wiring Diagram	X															
	4038-121	Wiring Diagram		X														
	4038-131	Wiring Diagram			X													
	4038-143	Wiring Diagram				X												
	4038-163	Wiring Diagram					X											
	4038-220	Wiring Diagram						X	X									
	4038-234	Wiring Diagram								X								
	4038-320	Wiring Diagram									X							
	4038-340	Wiring Diagram										X						
	4038-410	Wiring Diagram											X					
	4038-430	Wiring Diagram												X				
	4038-450	Wiring Diagram													X			
	4038-620	Wiring Diagram														X		
	4038-630	Wiring Diagram															X	

Date: 10-10-89
Supersedes:

CONTROL PANEL



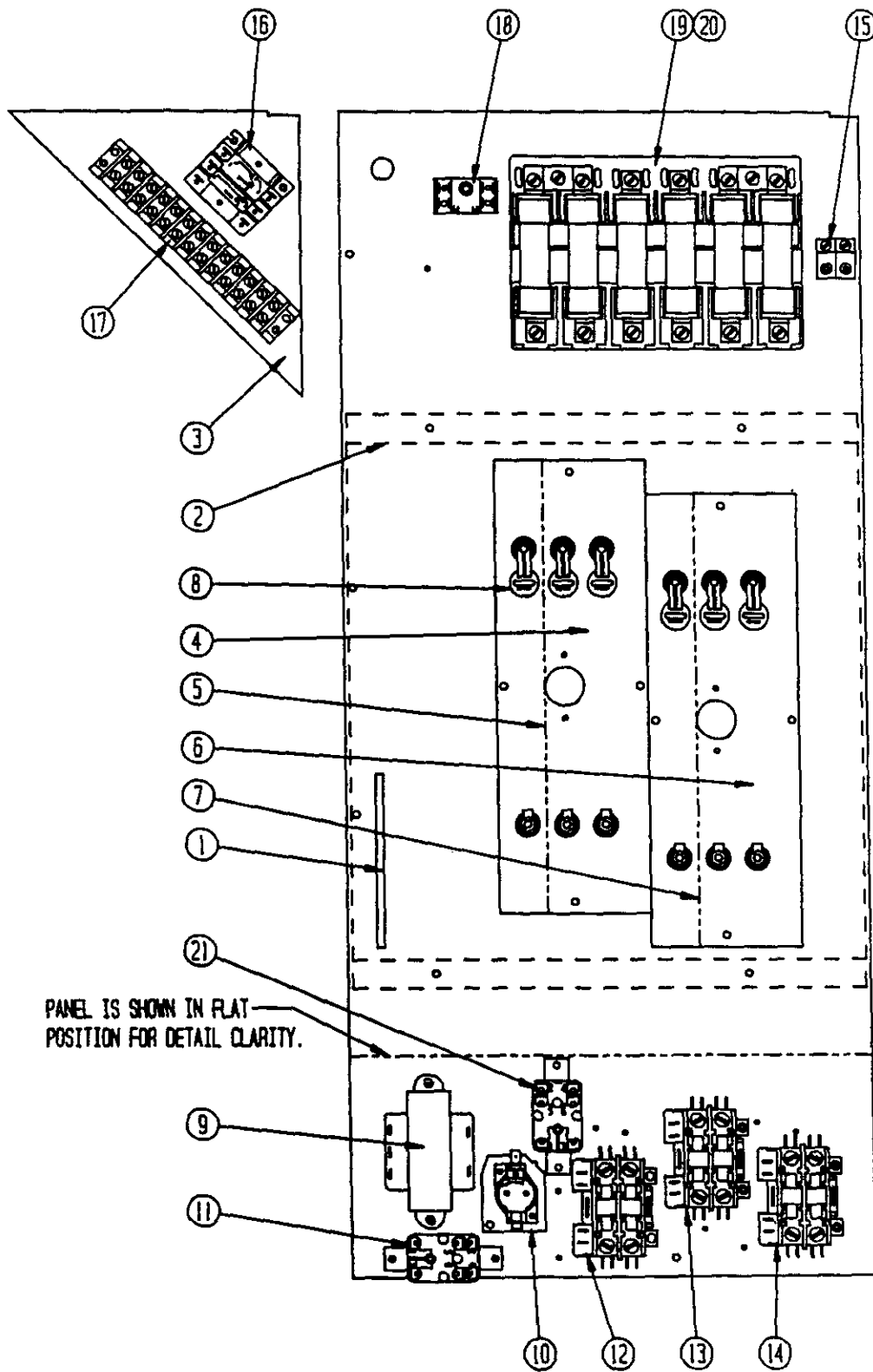
Date: 10-10-89
Supersedes:

CONTROL PANEL

Dwg. No.	Part No.	Description	B	B	B	B	B	B	B	B	B	B	B	B	B	B	B	B
			C	C	C	C	C	C	C	C	C	C	C	C	C	C	C	C
			6	6	6	6	6	6	6	6	6	6	6	6	6	6	6	6
			0	0	0	0	0	0	0	0	0	0	0	0	0	0	0	0
			A	A	A	A	A	A	A	A	A	A	A	A	A	A	A	A
			A	A	A	A	A	B	B	B	C	C	D	D	D	F	F	
			1	1	2	3	0	1	3	0	1	0	1	2	0	0	1	4
			0	5	0	0	9	5	0	9	8	0	0	0	9	4		
1	116-052	Control Heater Plate	X	X	X	X	X	X	X	X	X	X	X	X	X	X	X	
2	134-042	Heater Wrapper	X	X	X	X	X	X	X	X	X	X	X	X	X	X	X	
3	116-053	Low Voltage Box	X	X	X	X	X	X	X	X	X	X	X	X	X	X	X	
4	136-034	Heater Fill Plate	X	X	X			X	X		X		X	X				
4	8604-024	Heat Strip 10KW				X									X			
4	8604-025	Heat Strip 15KW					X			X								
4	8604-032	Heat Strip 9KW										X						
5	136-033	Heater Fill Plate				X									X			
6	136-034	Heater Fill Plate	X										X					
6	8604-024	Heat Strip 10KW		X		X								X	X			
6	8604-025	Heat Strip 15KW			X		X		X	X								
6	8604-035	Heat Strip 9KW						X										
6	8604-033	Heat Strip 12KW														X		
6	8604-032	Heat Strip 9KW									X	X					X	
7	136-033	Heater Fill Plate		X		X									X	X		
8	8402-025	Thermal Cutoff		2	3	4	6	3	3	6	3	6		2	4	3	6	
9	8407-036	Transformer	X	X	X	X	X	X	X	X	X	X	X	X	X	X	X	
10	8201-045	Time Delay Relay	X	X	X	X	X											
11	8201-014	Blower Relay	X	X	X	X	X	X	X	X	X	X	X	X	X	X	X	
12	8401-006	Contactora				X						X		X	X			
12	8401-010	Contactora								X								
12	8401-002	Contactora					X										X	
13	8401-006	Contactora			X	X									X			
13	8401-002	Contactora					X										X	
14	8401-006	Contactora		X	X	X	X					X			X			
14	8401-010	Contactora						X										
14	8401-001	Contactora							X	X								
14	8401-002	Contactora									X					X		
15	8611-006	Ground Terminal	1	1	1	1	2	1	1	1	1	1	1	1	1	1	1	
16	8201-013	Emergency Heat Relay			X	X	X			X		X			X		X	
17	8607-010	Terminal Strip	X	X	X	X	X	X	X	X	X	X	X	X	X	X	X	
18	8607-017	Terminal Block									X	X						
19	8607-013	Terminal Block	X	X									X	X		2	2	
19	8614-017	Fuse Block			X													
19	8614-018	Fuse Block				X								X				
19	8614-019	Fuse Block					X											
19	8607-014	Terminal Block						X	X		X	X						
19	8614-020	Fuse Block								X								
20	8607-015	Phenolic Insulator									X	X						
20	134-051	Terminal Block Barrier														2	2	
21	8201-014	Blower Relay									X	X						

Date: 10-10-89
Supersedes:

CONTROL PANEL



Date: 10-10-89
Supersedes:

CONTROL PANEL

Dwg. No.	Part No.	Description	B	B	B	B	B	B	B	B	B	B	B	B	B	B	B	B
			C	C	C	C	C	C	C	C	C	C	C	C	C	C	C	C
			6	6	6	6	6	6	6	6	6	6	6	6	6	6	6	6
			0	0	0	0	0	0	0	0	0	0	0	0	0	0	0	0
			A	A	A	A	A	A	A	A	A	A	A	A	A	A	A	A
			A	A	A	A	A	B	B	B	C	C	D	D	D	F	F	F
			1	1	2	3	0	1	3	0	1	0	1	2	0	0	1	4
			0	5	0	0	9	5	0	9	8	0	0	0	0	9	4	
	4038-112	Wiring Diagram	X															
	4038-121	Wiring Diagram		X														
	4038-131	Wiring Diagram			X													
	4038-143	Wiring Diagram				X												
	4038-163	Wiring Diagram					X											
	4038-220	Wiring Diagram						X	X									
	4038-234	Wiring Diagram								X								
	4038-320	Wiring Diagram									X							
	4038-340	Wiring Diagram										X						
	4038-410	Wiring Diagram											X					
	4038-430	Wiring Diagram												X				
	4038-450	Wiring Diagram													X			
	4038-620	Wiring Diagram														X		
	4038-630	Wiring Diagram															X	

Date: 10-10-89
Supersedes:

