

# REPLACEMENT PARTS MANUAL

## BLOWER COIL UNIT MODEL BC24B AND BC30B

Manual 2110-104

Revision A

Date 1-25-90

Supersedes 12-04-89

\*\*\*\*\*  
\* GENERAL NOTES \*  
\*\*\*\*\*

\*Revised and/or additional pages may be issued from time to time.  
\*A complete and current manual consists of pages dated as shown in the following index.

\*\*\*\*\*  
\*\* INDEX \*\*  
\*\*\*\*\*

| <u>Page Description</u>              | <u>Page</u> | <u>Date</u> | <u>Supersedes</u> |
|--------------------------------------|-------------|-------------|-------------------|
| Cabinet Components--Exploded View    | 1           | 07-11-89    |                   |
| " " --Usage List                     | 2           | 12-04-89    |                   |
| Functional Components--Exploded View | 3           | 07-11-89    |                   |
| " " --Usage List                     | 4           | 1-25-90     | 12-04-89          |

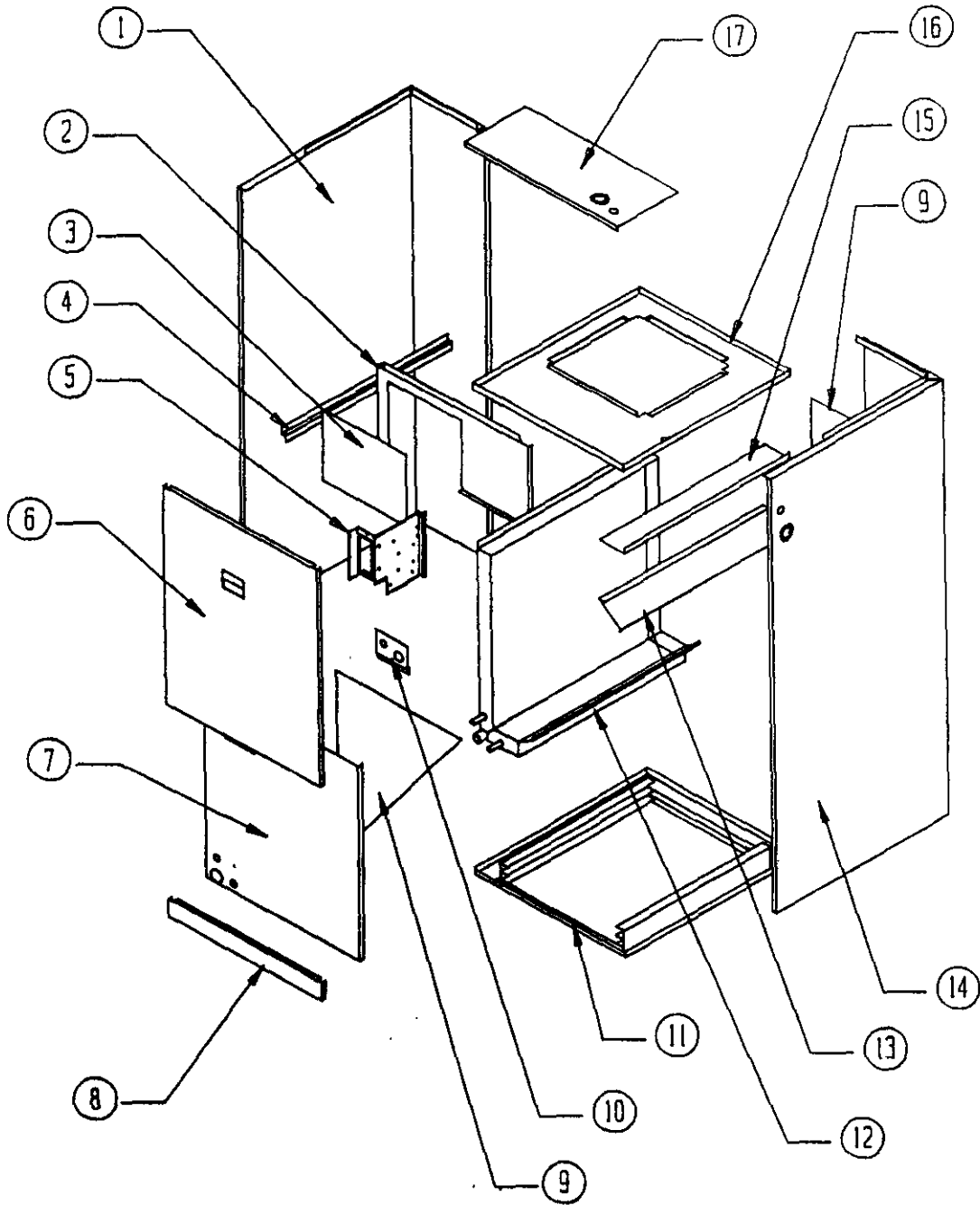
\*\*\*\*\*  
\*\*\* IMPORTANT \*\*\*  
\*\*\*\*\*

Contact the installing and/or local Bard distributor for all parts requirements. Make sure you have the complete model and serial number available from the unit rating plate.

BARD MANUFACTURING COMPANY

BRYAN, OHIO 43506

CABINET COMPONENTS



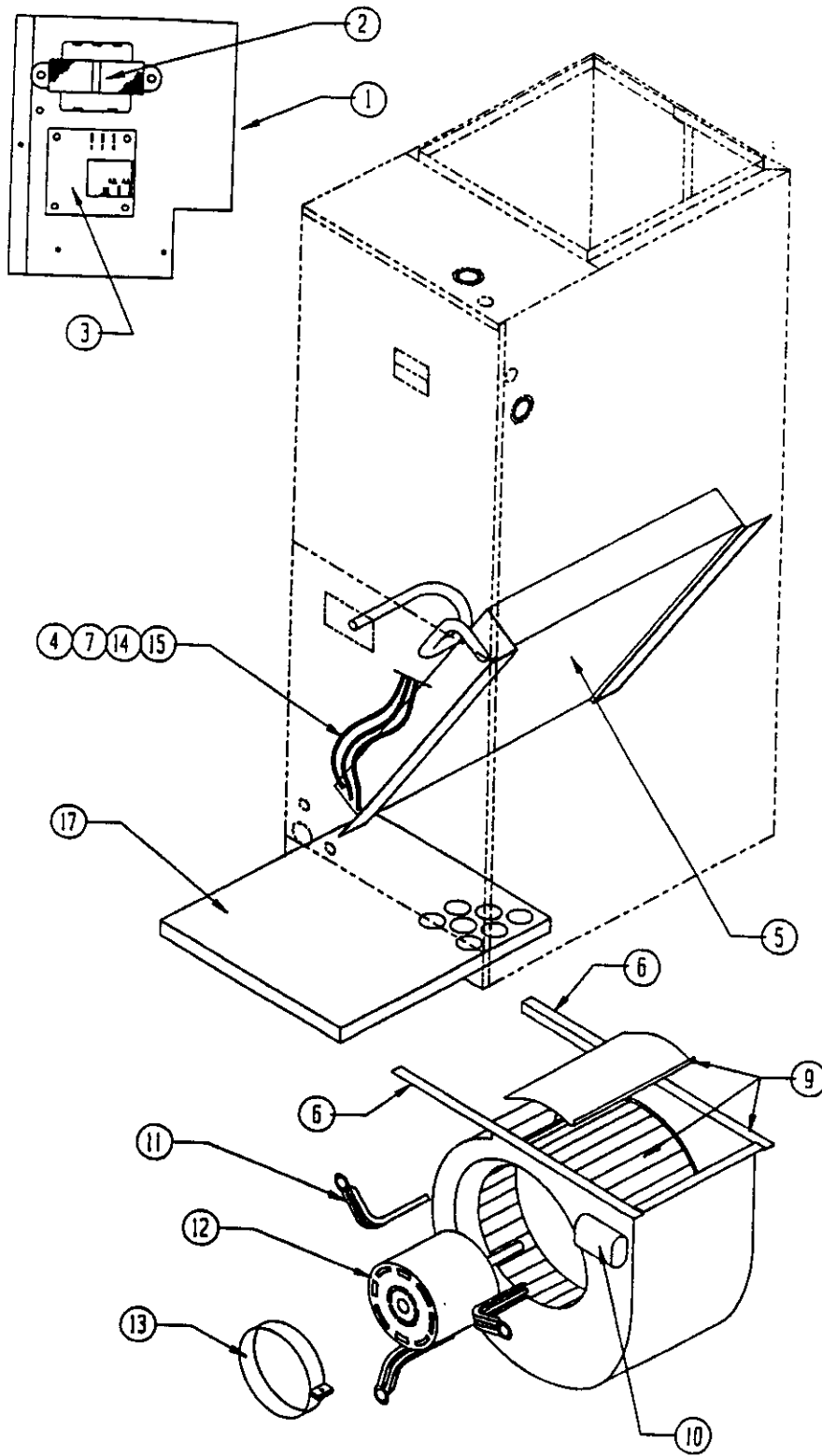
Date: 7-11-89  
Supersedes:

CABINET COMPONENTS

| Dwg. No. | Part No. | Description                        | BC24B | BC30B |
|----------|----------|------------------------------------|-------|-------|
| 1        | 500-196  | Left Side                          | X     | X     |
| 2        | 120-140  | Partition                          | X     | X     |
| 3        | 136-144  | Block Off Plate                    | X     | X     |
| 4        | 102-392  | Coil Assembly Support (Left Side)  | X     | X     |
| 5        | 116-118  | Control Panel Assembly             | X     | X     |
| 6        | 552-162  | Upper Door                         | X     | X     |
| 7        | 552-163  | Lower Door                         | X     | X     |
| 8        | 552-164  | Filter Door                        | X     | X     |
| 9        | 136-143  | Coil Support                       | X     | X     |
| 10       | 140-149  | Quick Connect Support              | X     | X     |
| 11       | 127-157  | Lower Base Assembly                | X     | X     |
| 12       | 123-072  | Water Pan Assembly                 | X     | X     |
| 13       | 136-140  | Top Coil Fill                      | X     | X     |
| 14       | 500-195  | Right Side                         | X     | X     |
| 15       | 140-147  | Coil Assembly Support (Right Side) | X     | X     |
| 16       | 126-158  | Blower Base                        | X     | X     |
| 17       | 106-118  | Top Assembly                       | X     | X     |

Date: 12-04-89  
Supersedes:

FUNCTIONAL COMPONENTS



Date: 7-11-89  
Supersedes:

FUNCTIONAL COMPONENTS

| Dwg. No. | Part No. | Description                          | BC24B | BC30B |
|----------|----------|--------------------------------------|-------|-------|
| 1        | 8607-019 | Terminal Strip                       | X     | X     |
| 2        | 8407-034 | Transformer 40VA                     | X     | X     |
| 3        | 8201-056 | Solid State Blower Control           | X     | X     |
| 4        | 5625-009 | Distributor                          | X     | X     |
| 5        | 5060-057 | Evaporator Coil                      | X     | X     |
| 6        | 104-816  | Blower Angle                         | 2     | 2     |
| 9        | 5152-064 | Blower Housing Assembly 10 x 6       | X     | X     |
| 10       | 8552-002 | Capacitor 5/370V                     | X     | X     |
| 11       | 8200-034 | Motor Mount Arm                      | 3     | 3     |
| 12       | 8104-008 | Motor 1/4 HP 230V                    | X     | X     |
| 13       | 8200-033 | Motor Mount Band                     | X     | X     |
| 14       | 5625-059 | .059 Orifice                         | X     |       |
| 14       | 5625-063 | .063 Orifice                         |       | X     |
| 15       | 5625-002 | 5782 Coupling to R.H. Thread Adapter | X     | X     |
| 17       | 7004-003 | Filter 12 x 20 x 1                   | X     | X     |
|          | 4088-110 | Wiring Diagram                       | X     | X     |

Date: 1-25-90  
Supersedes: 12-04-89

1

2

3