

# REPLACEMENT PARTS MANUAL

## BLOWER COIL UNIT MODEL BC24B AND BC30B

Manual 2110-104

Revision C

Date 08-30-91

Supersedes 09-01-90

\*\*\*\*\*  
\* GENERAL NOTES \*  
\*\*\*\*\*

\*Revised and/or additional pages may be issued from time to time.  
\*A complete and current manual consists of pages dated as shown in the following index.

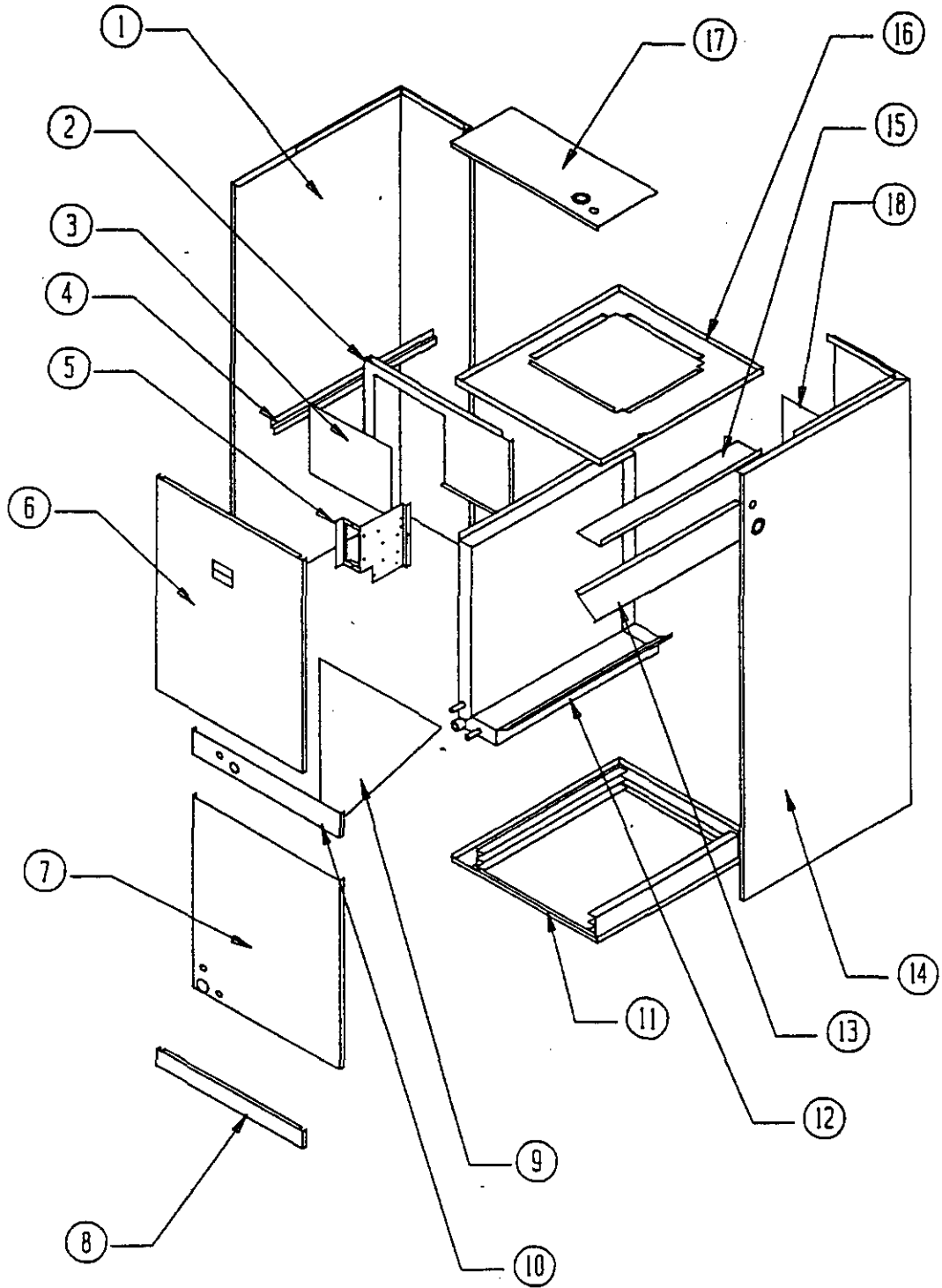
\*\*\*\*\*  
\*\* INDEX \*\*  
\*\*\*\*\*

<u>Page Description</u>	<u>Page</u>	<u>Date</u>	<u>Supersedes</u>
Cabinet Components--Exploded View	1	08-30-91	09-01-90
" " --Usage List	2	08-30-91	09-01-90
Functional Components--Exploded View	3	08-30-91	09-01-90
" " --Usage List	4	08-30-91	01-25-90

\*\*\*\*\*  
\*\*\* IMPORTANT \*\*\*  
\*\*\*\*\*

Contact the installing and/or local Bard distributor for all parts requirements. Make sure you have the complete model and serial number available from the unit rating plate.

CABINET COMPONENTS



Date: 08-30-91  
Supersedes: 09-11-90

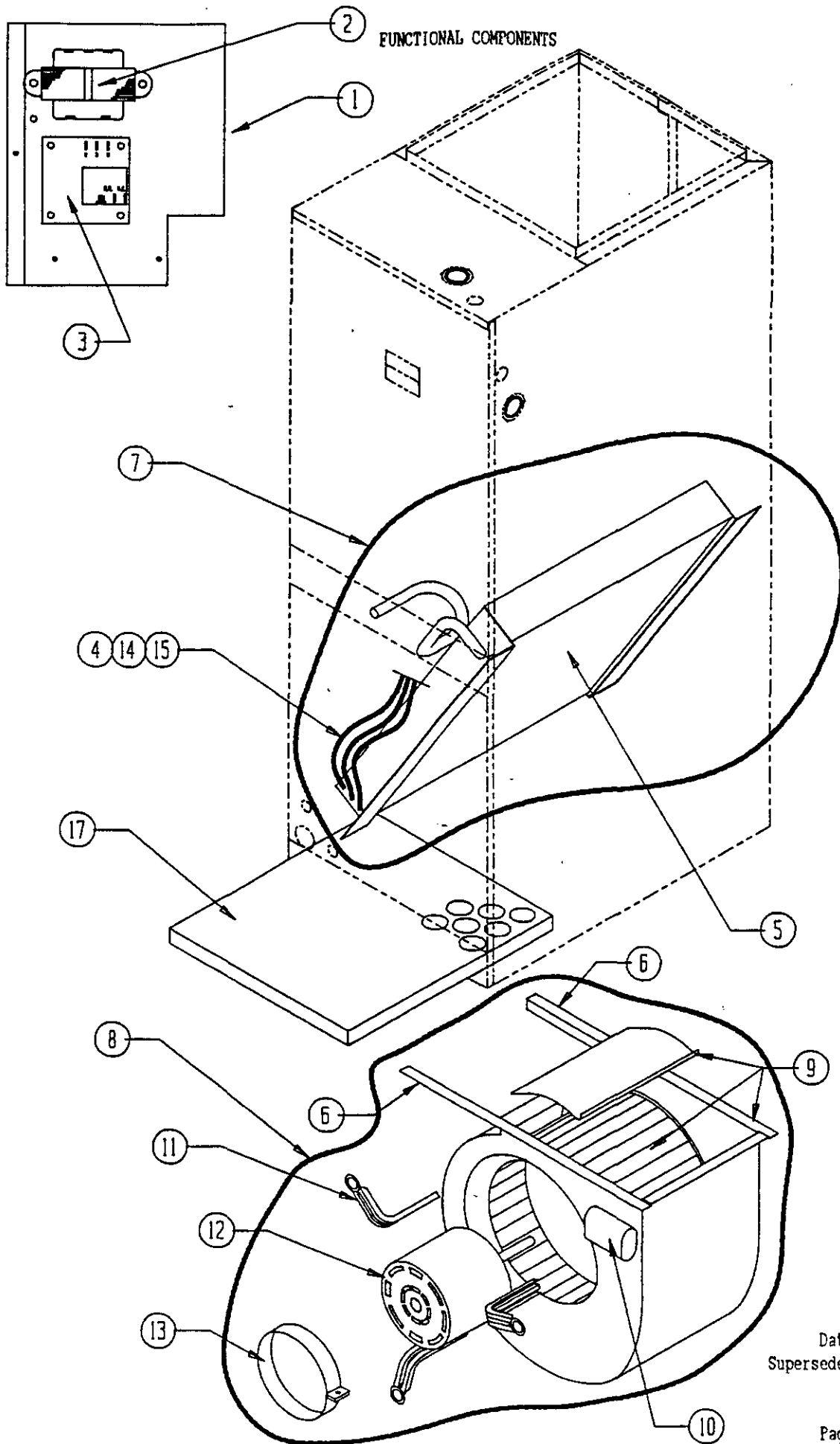
CABINET COMPONENTS

Dwg. No.	Part No.	Description	BC24B	BC30B
1	500-196	Left Side (See Note)	A	A
1	500-214	Left Side (See Note)	B	B
2	120-140	Partition	X	X
3	136-144	Block Off Plate	X	X
4	102-392	Coil Assembly Support (Left Side)	X	X
5	116-118	Control Panel Assembly	X	X
6	552-162	Upper Door	X	X
7	552-163	Lower Door (See Note)	A	A
7	552-190	Lower Door (See Note)	B	B
8	552-164	Filter Door	X	X
9	136Y143	Coil Support	X	X
10	140-149	Quick Connect Support (See Note)	A	A
10	540-173	Quick Connect Support (See Note)	B	B
11	127-157	Lower Base Assembly	X	X
12	123-072	Water Pan Assembly	X	X
13	136-140	Top Coil Fill	X	X
14	500-195	Right Side (See Note)	A	A
14	500-213	Right Side (See Note)	B	B
15	140-147	Coil Assembly Support (Right Side)	X	X
16	126-158	Blower Base	X	X
17	106-118	Top Assembly	X	X
18	136X143	Coil Support	X	X

Note A: For units produced before date code L90.

Note B: For units produced with date code L90 and after.

Date: 08-30-91  
Supersedes: 09-01-90



Date: 08-30-91  
 Supersedes: 01-25-90

FUNCTIONAL COMPONENTS

Dwg. No.	Part No.	Description	BC24B	BC30B
1	8607-019	Terminal Strip	X	X
2	8407-034	Transformer 40VA	X	X
3	8201-056	Solid State Blower Control	X	X
4	5625-009	Distributor	X	X
5	5060-057	Evaporator Coil	X	X
6	104-816	Blower Angle	2	2
7	600-0031	Complete Coil Assenbly W/Drain Pan	X	
	600-0032	Complete Coil Assenbly W/Drain Pan		X
8	900-149	Complete Blower Assembly	X	X
9	5152-064	Blower Housing Assenbly 10 x 6	X	X
10	8552-002	Capacitor 5/370V	X	X
11	8200-034	Motor Mount Arm	3	3
12	8104-008	Motor 1/4 HP 230V	X	X
13	8200-033	Motor Mount Band	X	X
14	5625-059	.059 Orifice	X	
14	5625-063	.063 Orifice		X
15	5625-002	5782 Coupling to R.H. Thread Adapter	X	X
17	7004-003	Filter 12 x 20 x 1	X	X
	4088-110	Wiring Diagram	X	X

Date: 08-30-91  
Supersedes: 01-25-90

