

REPLACEMENT PARTS MANUAL

BLOWER COIL UNIT MODEL BC24B AND BC30B

Manual 2110-104

Revision --

Date 12-4-89

Supersedes

* GENERAL NOTES *

*Revised and/or additional pages may be issued from time to time.
*A complete and current manual consists of pages dated as shown in the following index.

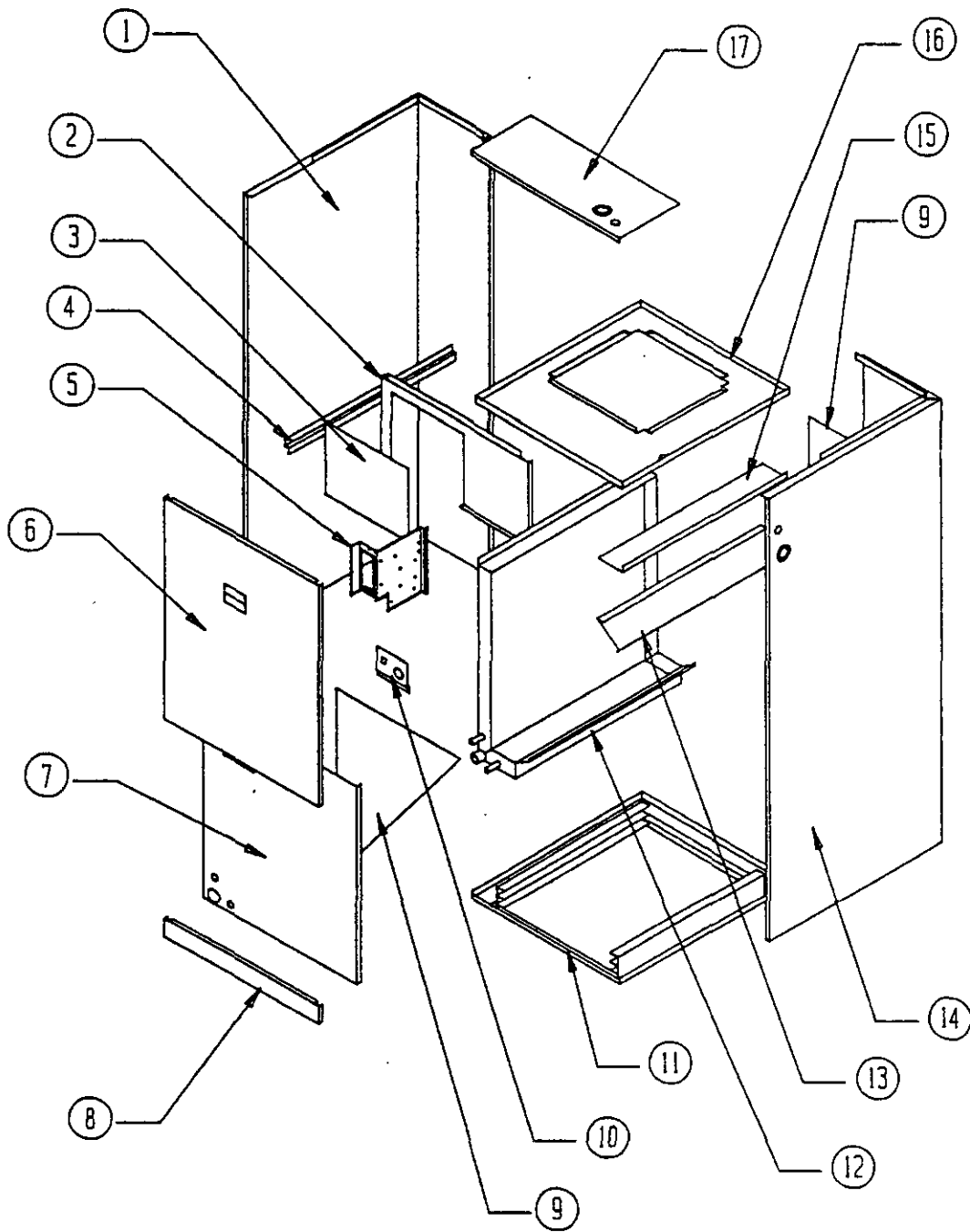
** INDEX **

<u>Page Description</u>	<u>Page</u>	<u>Date</u>	<u>Supersedes</u>
Cabinet Components--Exploded View	1	07-11-89	
" " --Usage List	2	12-04-89	
Functional Components--Exploded View	3	07-11-89	
" " --Usage List	4	12-04-89	

*** IMPORTANT ***

Contact the installing and/or local Bard distributor for all parts requirements. Make sure you have the complete model and serial number available from the unit rating plate.

CABINET COMPONENTS



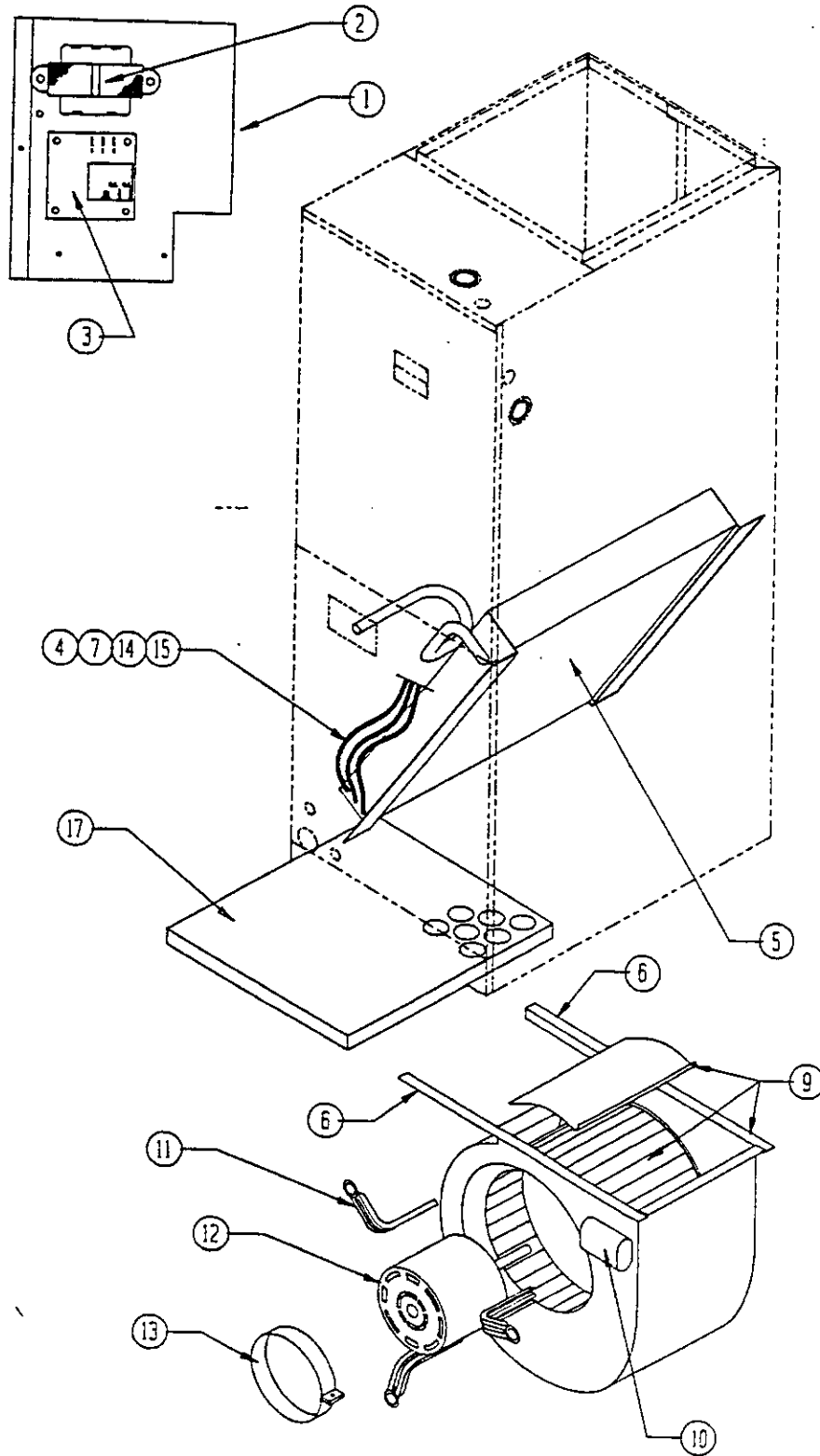
Date: 7-11-89
Supersedes:

CABINET COMPONENTS

Dwg. No.	Part No.	Description	BC24B	BC30B
1	500-196	Left Side	X	X
2	120-140	Partition	X	X
3	136-144	Block Off Plate	X	X
4	102-392	Coil Assembly Support (Left Side)	X	X
5	116-118	Control Panel Assembly	X	X
6	552-162	Upper Door	X	X
7	552-163	Lower Door	X	X
8	552-164	Filter Door	X	X
9	136-143	Coil Support	X	X
10	140-149	Quick Connect Support	X	X
11	127-157	Lower Base Assembly	X	X
12	123-072	Water Pan Assembly	X	X
13	136-140	Top Coil Fill	X	X
14	500-195	Right Side	X	X
15	140-147	Coil Assembly Support (Right Side)	X	X
16	126-158	Blower Base	X	X
17	106-118	Top Assembly	X	X

Date: 12-04-89
Supersedes:

FUNCTIONAL COMPONENTS



Date: 7-11-89
Supersedes:

FUNCTIONAL COMPONENTS

Dwg. No.	Part No.	Description	BC24B	BC30B
1	8607-019	Terminal Strip	X	X
2	8407-034	Transformer 40VA	X	X
3	8201-056	Solid State Blower Control	X	X
4	5625-009	Distributor	X	X
5	5060-057	Evaporator Coil	X	X
6	104-816	Blower Angle	2	2
9	5152-064	Blower Housing Assembly 10 x 6	X	X
10	8552-002	Capacitor 5/370V	X	X
11	8200-034	Motor Mount Arm	3	3
12	8104-008	Motor 1/4 HP 230V	X	X
13	8200-033	Motor Mount Band	X	X
14	5625-059	.059 Orifice	X	
14	5625-063	.063 Orifice	X	X
15	5625-002	5782 Coupling to R.H. Thread Adapter	X	X
17	7004-003	Filter 12 x 20 x 1	X	X
	4088-110	Wiring Diagram	X	X

Date: 12-04-89
Supersedes:

