

Replacement Parts Manual

Blower Coil Unit

Model: BC36 

General Notes

- Revised and/or additional pages may be issued from time to time.
- A complete and current manual consists of pages shown in the following contents section.

Important

- Contact the installing and/or local Bard distributor for all parts requirements. Make sure you have the complete model and serial number available from the unit rating plates.

Contents

Description	Page
Cabinet Components	
• Exploded View	1
• Usage List	2
Functional Components	
• Exploded View	3
• Usage List	4

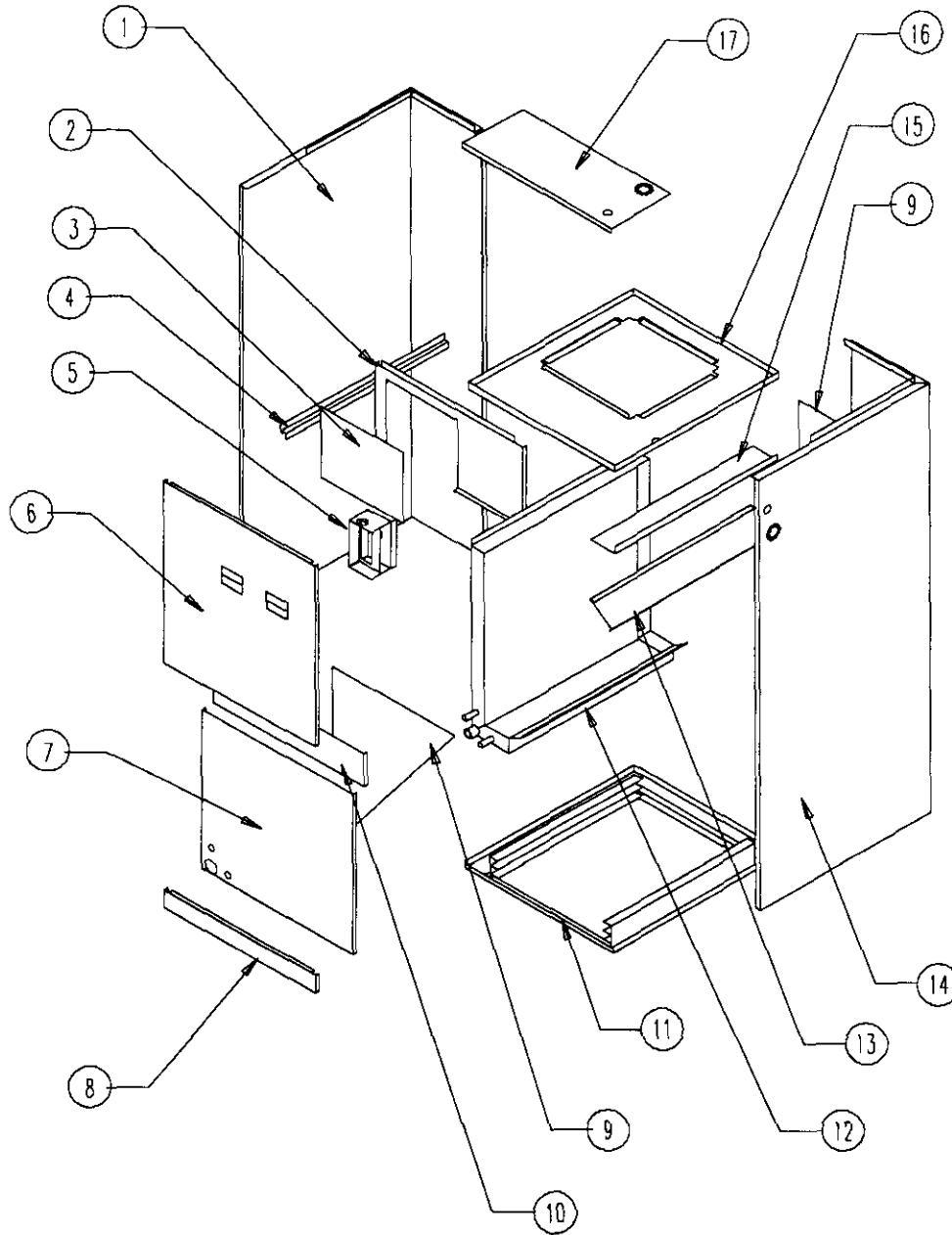


BARD MANUFACTURING COMPANY
Bryan, Ohio 43506

Since 1914...Moving ahead, just as planned.

Manual: 2110-105 Rev.E
Supersedes: Rev. D
Date: 11-01-96

CABINET COMPONENTS



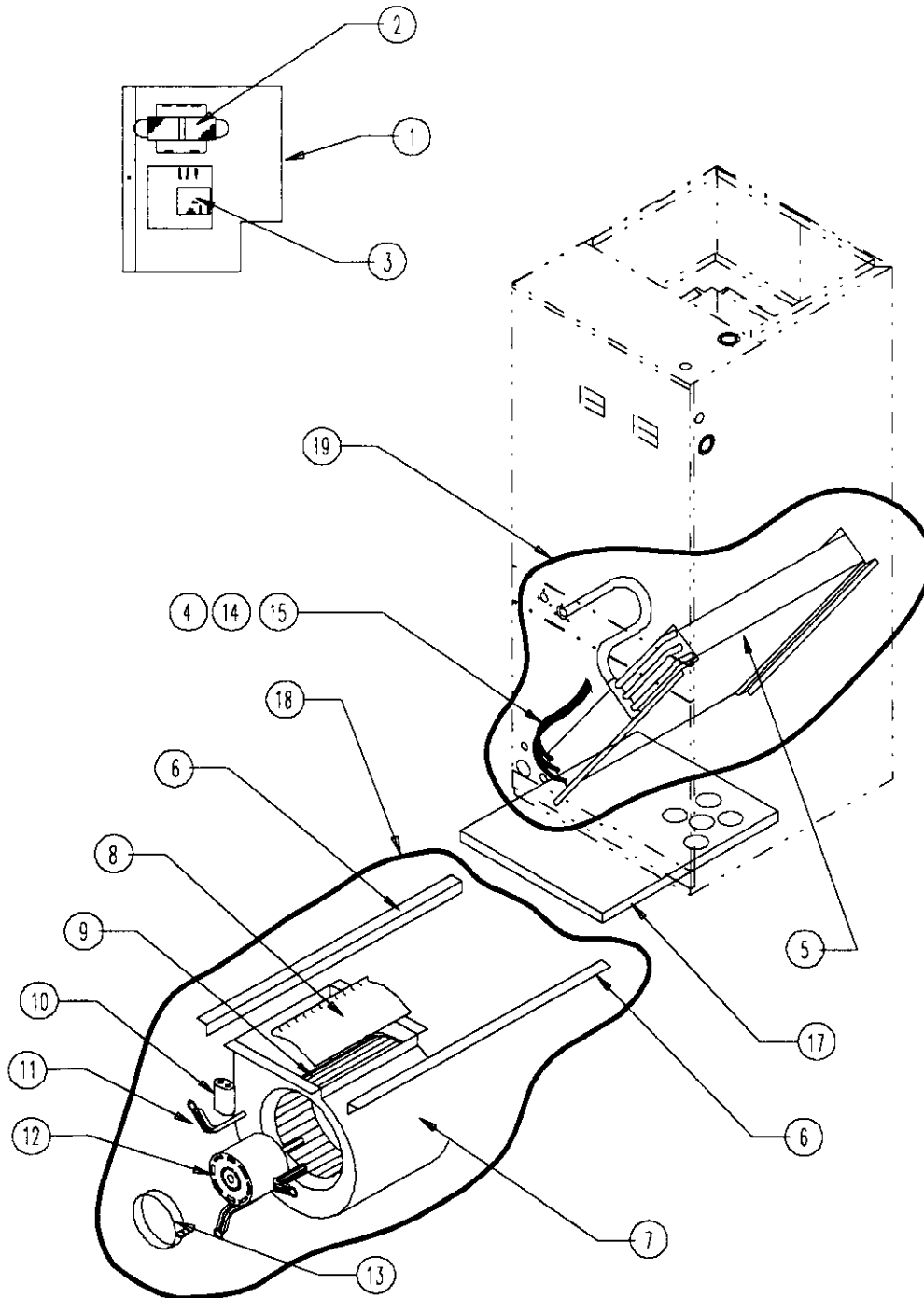
SEXP-039

CABINET COMPONENTS

Drawing No.	Part No.	Description	BC36C
1	500-194	Left Side (See Note A)	X
1	500-216	Left Side (See Note B)	X
2	120-139	Partition (See Note C)	X
2	120-295	Partition (See Note D)	X
3	136-141	Block Off Plate	X
4	102-392	Coil Assembly Support (Left Side)	X
5	116-118	Control Panel (See Note D)	X
5	117-116	Low Voltage Box Assembly (See Note C)	X
6	552-159	Upper Door	X
7	552-160	Lower Door (See Note A)	X
7	552-191	Lower Door (See Note B)	X
8	552-161	Filter Door	X
9	136-139	Coil Support	X
10	140-149	Quick Connect (See Note A)	X
10	540-167	Quick Connect (See Note E)	X
10	540-240	Tubing Entrance Panel (See Note F)	X
11	127-154	Lower Base Assembly	X
12	123-071	Water Pan Assembly	X
13	136-140	Top Coil Fill	X
14	500-193	Right Side (See Note A)	X
14	500-215	Right Side (See Note B & C)	X
14	500-312	Right Side (See Note D)	X
15	140-147	Coil Assembly Support (Right Side)	X
16	126-155	Blower Base	X
17	507-117	Top Assembly (See Note C)	X
17	507-172	Top Assembly (See Note D)	X

- Note A: For units produced before date code L90
 Note B: For units produced with date code L90 and after.
 Note C: For units produced before date code F95
 Note D: For units produced with date code F95 and after.
 Note E: For units produced with date code L90 to M96
 Note F: For units produced with date code N96 and after.

FUNCTIONAL COMPONENTS



SEXP-038

FUNCTIONAL COMPONENTS

Drawing No.	Part No.	Description	BC36C
1	8607-019	Terminal Strip	X
2	8407-035	Transformer 55VA	X
3	8201-056	Solid State Blower Control	X
4	5625-004	Distributor (See Note D)	X
4	5625-009	Distributor (See Note C)	X
5	5060-054	Evaporator Coil (See Note C)	X
5	5060-081	Evaporator Coil (See Note D)	X
6	104-813	Blower Angle	2
7	151-087	Blower Housing Assembly	X
8	144-128	Blower Diffuser	X
9	5152-014	Blower Wheel 10 x 9	X
10	8552-025	Capacitor 7-1/2 / 440W	X
11	8200-034	Motor Mount Arm	3
12	8105-022	Motor 1/3 HP 230V	X
13	8200-033	Motor Mount Band	X
14	5625-072	.072 Orifice	X
15	5625-021	5782 Coupling to R.H. Thread Adapter Swivel	X
17	7004-010	Filter 16 x 20 x 1	X
18	900-147	Complete Blower Assembly	X
19	600-0024	Complete Coil Assembly w/Drain Pan (See Note C)	X
19	600-0036	Complete Coil Assembly w/Drain Pan (See Note D)	X
	4088-110	Wiring Diagram	X

Note C: For units produced before date code F95.

Note D: For units produced with date code F95 and later.

