

REPLACEMENT PARTS MANUAL

BLOWER COIL UNIT MODEL BC48B, BC60B

Manual 2110-106

Revision: A

Date: 08-30-91

Supersedes: 05-01-91

* GENERAL NOTES *

*Revised and/or additional pages may be issued from time to time.
*A complete and current manual consists of pages dated as shown in the following index.

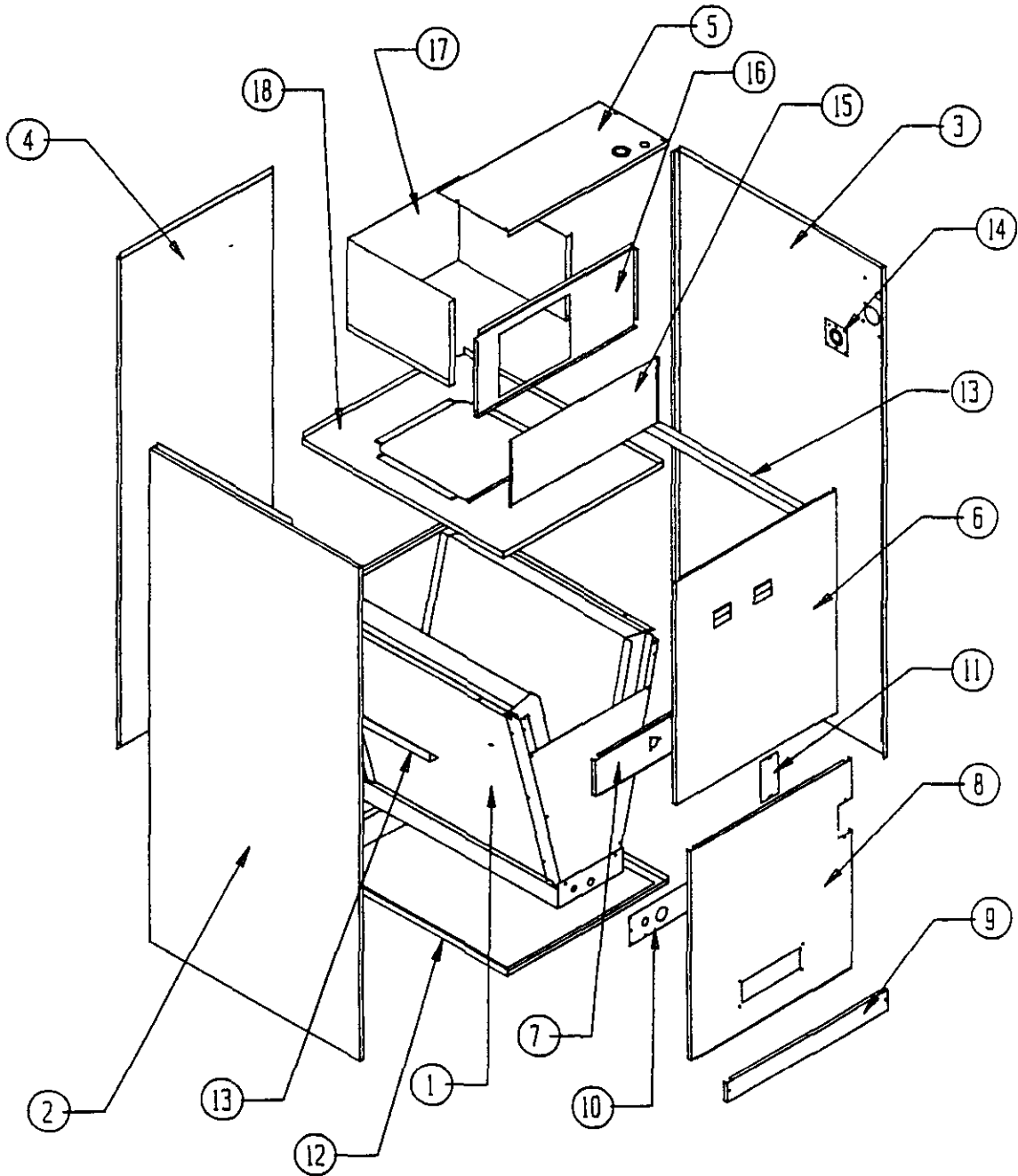
** INDEX **

<u>Page Description</u>	<u>Page</u>	<u>Date</u>	<u>Supersedes</u>
Cabinet Components--Exploded View	1	05-01-91	
" " --Usage List	2	05-01-91	
Functional Components--Exploded View	3	05-01-91	
" " --Usage List	4	05-01-91	
Coil Assembly Components--Exploded View	5	05-01-91	
" " --Usage List	6	08-30-91	05-01-91

*** IMPORTANT ***

Contact the installing and/or local Bard distributor for all parts requirements. Make sure you have the complete model and serial number available from the unit rating plate.

CABINET COMPONENTS



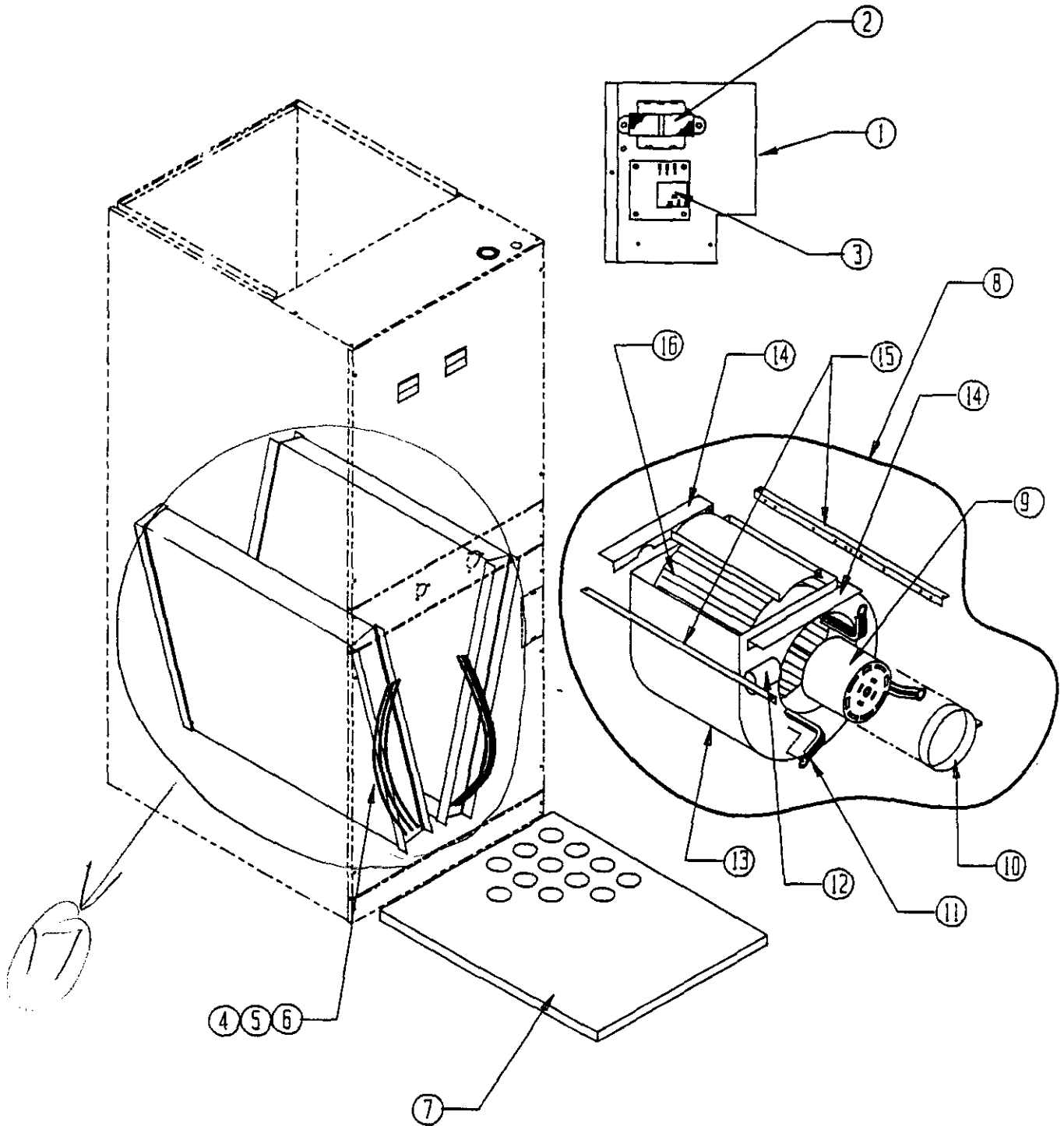
Date: 05-01-91
Supersedes:

CABINET COMPONENTS

Dwg. No.	Part No.	Description	B C 4 8 B	B C 6 0 B
1	600-0028	Complete Coil Assenbly	X	
1	600-0029	Complete Coil Assenbly		X
2	500-203	Left Side Assenbly	X	X
3	500-202	Right Side Assenbly	X	X
4	508-086	Back Assenbly	X	X
5	107-123	Top Assenbly	X	X
6	552-177	Upper Door	X	X
7	540-176	Quick Connect Support	X	X
8	552-178	Lower Door	X	X
9	552-179	Filter Door	X	X
10	536-151	Drain Cover Plate	X	X
11	542-030	Cover Plate	X	X
12	127-171	Lower Base	X	X
13	140-155	Coil Assenbly Support	4	4
14	136-154	T.K.O. Plate	X	X
15	133-100	Control Panel Cover	X	X
16	120-142	Heater Partition	X	X
17	134-114	Heater Shield	X	X
18	126-172	Blower Base	X	X

Date: 05-01-91
Supersedes:

FUNCTIONAL COMPONENTS



Date: 05-01-91
Supersedes:

FUNCTIONAL COMPONENTS

Dwg. No.	Part No.	Description	B	B
			C	C
			4	6
			8	0
			B	B
1	116-118	Control Panel	x	x
2	8407-035	Transformer 55VA	x	x
3	8201-056	Blower Control	x	x
4	5625-002	5782 Coupling to R.H. Thread Adapter	x	x
5	5625-078	.078 Orifice	x	
5	5625-092	.092 Orifice		x
6	5625-005	Distributor	x	
6	5625-006	Distributor		x
7	7004-013	Filter 20 x 25 x 1	x	x
8	900-159	Blower Assembly	x	
8	900-160	Blower Assembly		x
9	8106-027	Motor 1/2 HP 230V	x	x
10	8200-033	Motor Mount Band	x	x
11	8200-034	Motor Mount Arm	3	3
12	8552-004	Capacitor 7-1/2 / 370	x	x
13	151-068	Blower Housing	x	
13	151-096	Blower Housing		x
14	104-779	Blower Angle	2	
15	104-829	Blower Angle	2	2
16	5152-066	Blower Wheel 10 x 8	x	
16	5152-059	Blower Wheel 10 x 10		x
	4088-110	Wiring Diagram	x	x

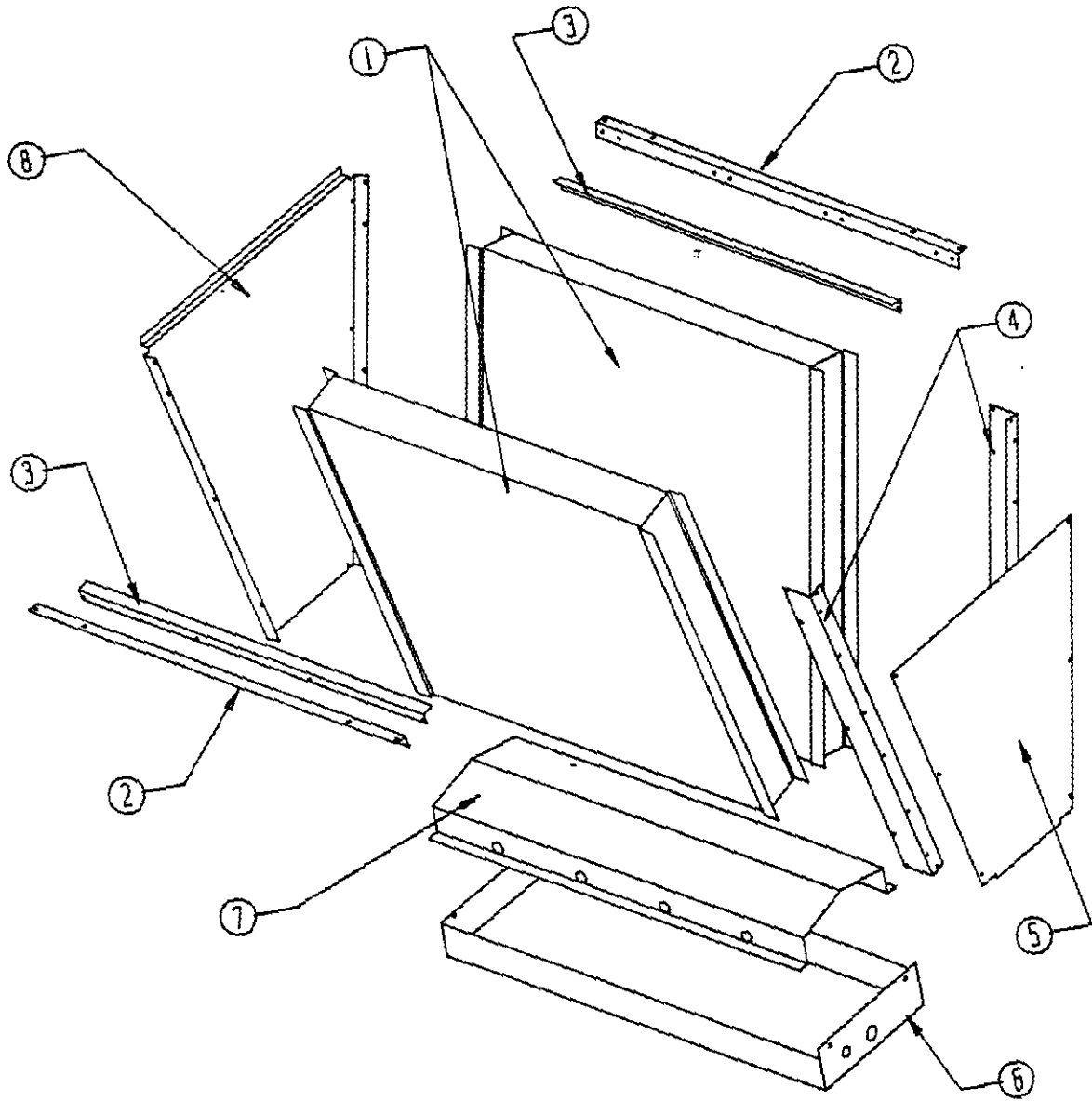
17 600-0028 COMPLETE CASE W/ DRAWING

BC48D

17 600-0029 " " " "

BC6B

COIL ASSEMBLY COMPONENTS



COIL ASSEMBLY COMPONENTS

Dwg. No.	Part No.	Description	B C 4 8 B	B C 6 0 B
1	5060-058	Evaporator Coil 24 x 24	2	
1	5060-059	Evaporator Coil 24 x 24		2
2	104-828	Coil Support Angle	2	2
3	104-096	Top Coil Fill	2	2
4	136-146	Coil End Fill	2	2
5	142-031	Coil Cover Panel	x	x
6	123-073	Drain Pan	x	x
7	140-177	Coil Riser	x	x
8	136-147	Rear Coil Fill	x	x
	600-0028	Complete Coil Assembly	x	
	600-0029	Complete Coil Assembly		x

Date: 08-30-91
Supersedes: 05-01-91

